

J E T

22-44 PLUS DRUM SANDER with SandSmart

649003KM

230/50/1

**PARTS LIST
ERSATZTEILLISTE
LISTE DE PIECES**

WMH Tool Group AG

Bahnstrasse 24, CH – 8603 Schwerzenbach

www.wmhgroupool.ch; info@wmhtoolgroup.ch

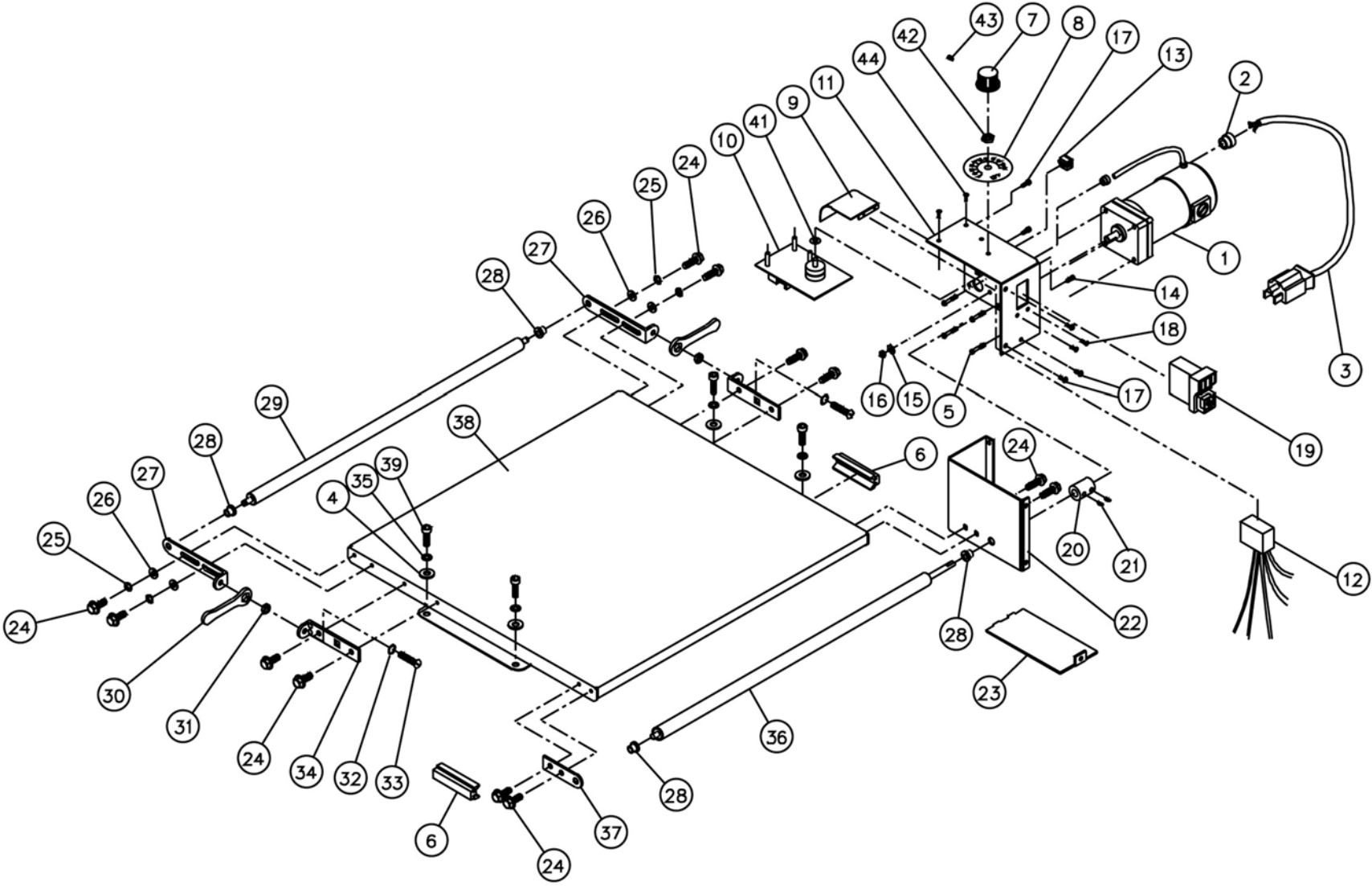
Tel +41 (0) 44 806 47 48

Fax +41 (0) 44 806 47 58



P-649003KM 01/07

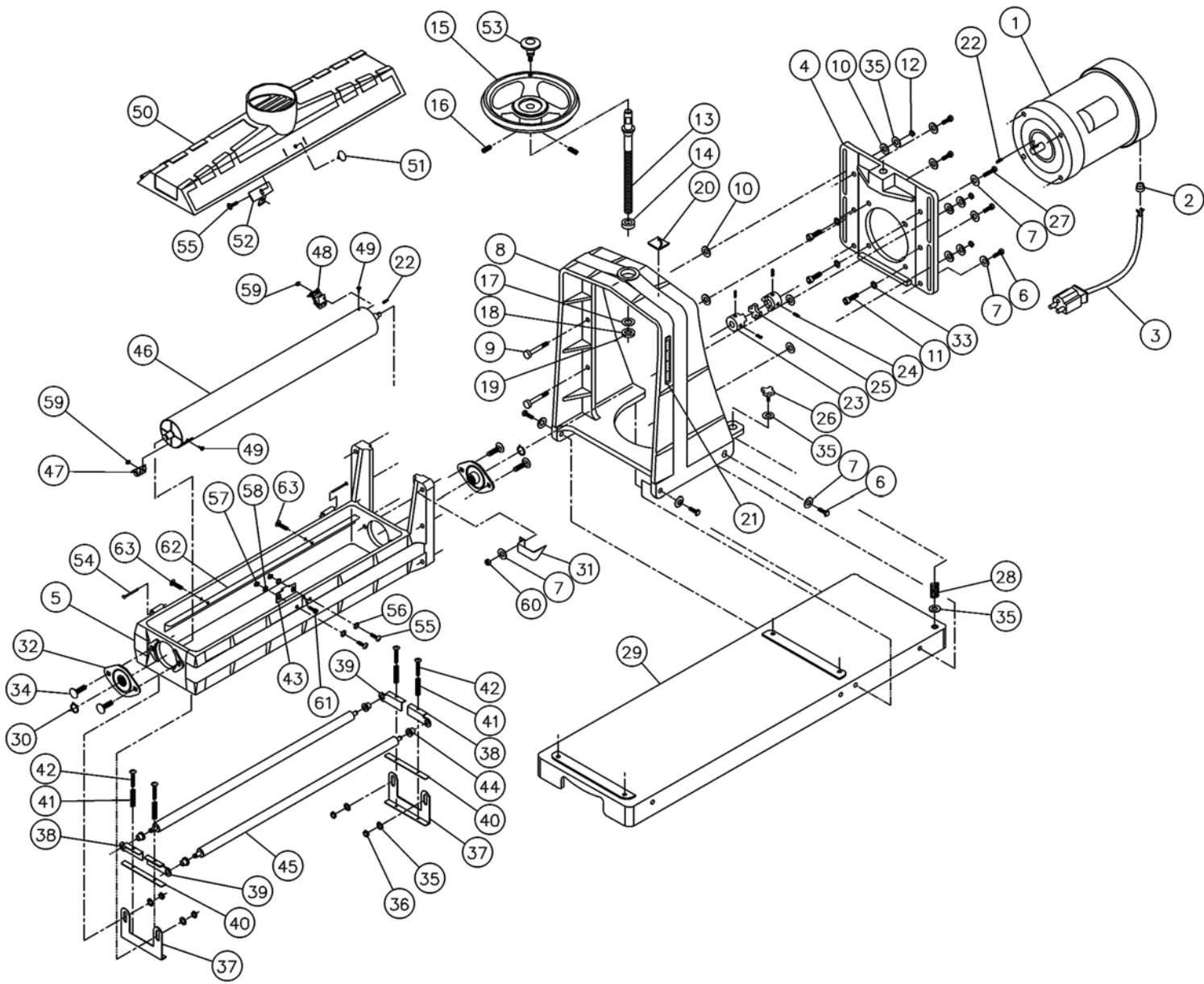
Conveyor And Motor Assembly



Parts List For The Performax 22-44 Plus

Conveyor And Motor Assembly

Index	Part			
No.	No.	Description	Size	Qty.
1	71-1400E	Gear Motor	180 Volt DC	1
2	72-6014E	Strain Relief		1
3	72-5336E	Cord Set		1
4	TS-0680031	Flat Washer	5/16	4
5	10-4010-08	Socket Head Cap Screw	#10-32x1/2"	4
6	98-0080	Tracker Kit		2
7	72-2250-01	Knob		1
8	72-2250-02	Label, Speed Adjusting		1
9	40-4018	Guard, wiring		1
10	72-2250E	SandSmart Controller 230V		1
11	40-4904	Bracket, Housing- Controller		1
12	2244PLUS-112	EMC, in Control Housing		1
13	72-2111-02E	Receptacle		1
14	TS-081D022	Pan Head Machine Screw	#10-32x1/2"	1
15	TS-073203	Washer, Lock. Int.-Tooth Washer	#10	1
16	TS-0560081	Hex Nut	#10-32	1
17	10-9002	Screw, Hex Head-Slotted	#10-32x1/2"	5
18	10-3103	Screw, Phil Pan Head	#6-32x1/2	2
19	72-2004E	Switch, ON/OFF-Drum		1
20	30-0122	Coupler, Shaft		1
21	10-4010-04	Set Screw	1/4-20x1/4"	2
22	40-4903	Bracket, Base- Controller		1
23	40-4022W	Cover, Base-Control Housing		1
24	10-4004-12	Bolt, Hex Washer Head	1/4-20x3/4"	12
25	20-1161-01	Washer, Wave	1/4"	4
26	11-1002-04	Flat Washer	1/4"	4
27	40-0003	Bracket, Take Up-Slide		2
28	50-3105	Bushing, Oilite 5/16" I.D.		4
29	30-3010-10	Roller, Driven		1
30	40-0260	Wrench		2
31	12-2000-04	Hex Nut	1/4-20	2
32	11-1000-04	Washer, Lock-Int Tooth	1/4"	2
33	10-4007-24	Screw, Round Head- Slotted	1/4-20x1 3/4"	2
34	40-4004	Bracket, Take Up-Base		2
35	TS-0720081	Lock Washer	5/16	4
36	30-3010-11	Roller, Driven-Rubber Covered		1
37	40-0005	Bracket, Support-Drive Roller		1
38	40-4010-01	Bed, Conveyor		1
39	TS-0208041	Socket Head Cap Screw	5/16-18x3/4"	4
40	60-0322-P	Belt Conveyor (Not Shown)		1
41	72-2250-03	Washer, Flat	5/16	1
42	72-2250-04	Nut, Hex	5/16-24	1
43	72-2250-05	Slotted Set Screw	#8-36UNFx5/16	1
44	20-0777	Pan Head Self-Tapping Screw	5/32x1/2	1



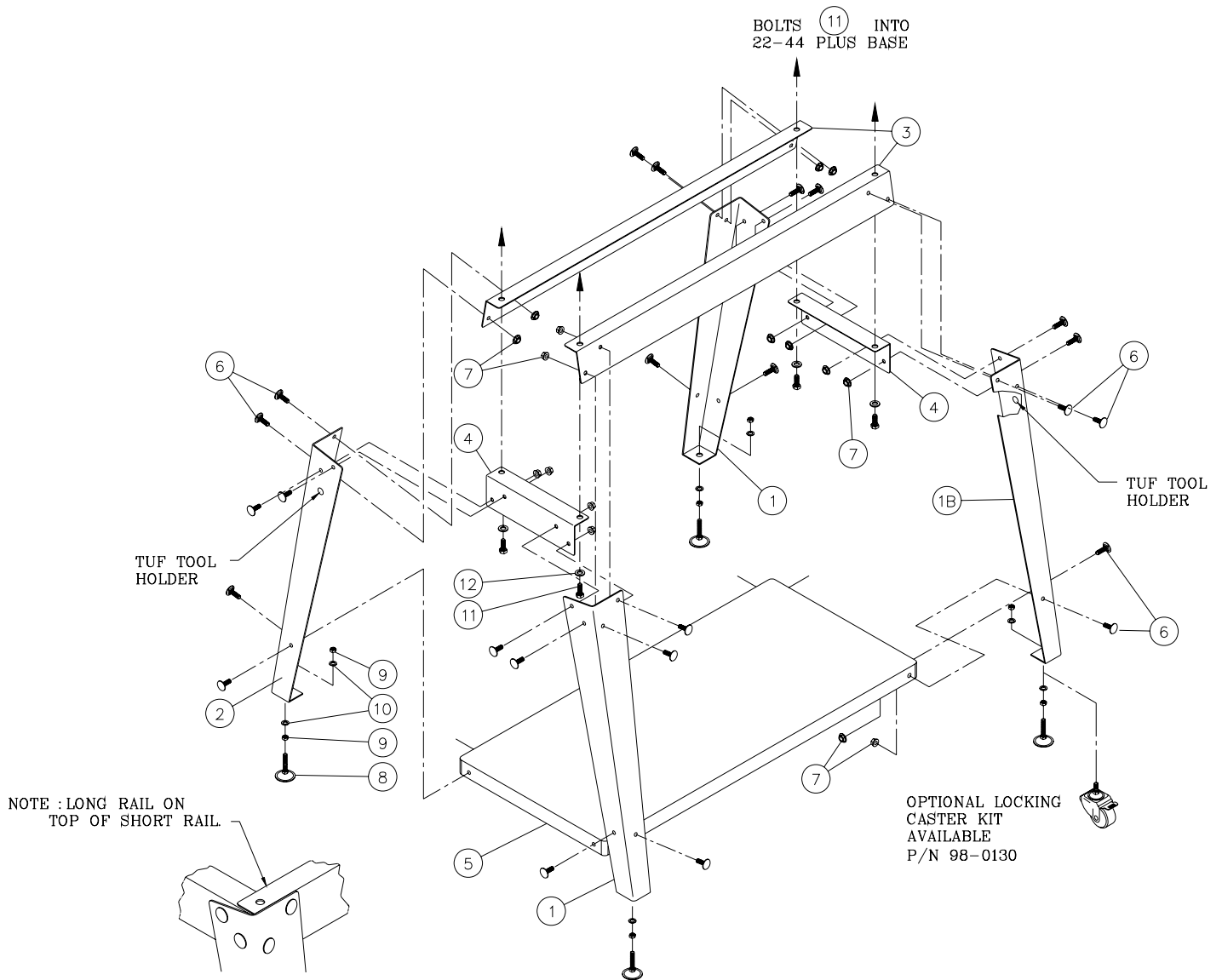
Drum Head Assembly

Drum Head Assembly

Index No.	Part No.	Description	Size	Qty.
1	70-4102E	Motor, 1-3/4 HP, 230 Volt w/Cord		1
2	72-6104E	Strain Relief		1
3	72-5345E	Cord, Motor To Control Box		1
4	30-9025	Slide, Motor Mount		1
5	30-9024E	Carriage, Drum		1
6	TS-0060061	Screw, Hex Head Cap	3/8-16x1 1/4"	9
7	TS-0680041	Washer, Flat	3/8"	11
8	30-9023	Shroud		1
9	30-9026	Stud	5/16-24x1 3/4"	4
10	50-3090-01	Washer, Oilite 5/16" I.D.		8
11	TS-0209061	Screw, Socket Head Cap	3/8-16x1 1/4"	4
12	12-2003-05	Nut, Hex, Lock Nylon Insert	5/16-24	4
13	30-9027	Screw, Height Adjustment	5/8-18UNC	1
14	50-9000	Bearing, Thrust	51103	1
15	30-9028	Handle-Wheel, Height adjustment		1
16	TS-0270051	Set Screw	5/16-18x1/2"	2
17	80-2324	Washer, Flat-Nylon	5/8" I.D.	1
18	20-1180-02	Collar, Locking Shaft		1
19	10-4020-04	Screw, Set Socket Head (Collar)	5/16-18x1/4"	2
20	94-1668E	Label, Height-Direction		1
21	94-2270E	Label, Depth Gauge		1
22	20-0762-02	Key	3/16 SQ x3/4"	2
23	50-2207	Coupling		2
24	10-4010-04	Set Screw	1/4-20x1/4"	4
25	50-2209	Spider, Coupling		1
26	80-3138	Knob, Fine Tune Adjustment		1
27	TS-0060081	Hex Head Cap Screw	3/8-16x1 3/4	1
28	20-3216	Spring		1
29	30-9022	Base, Conveyor Mounting		1
30	20-0778	Retaining Ring	STW25	2
31	40-3169	Pointer, Depth Gauge		1
32	50-3089	Bearing, Drum	NTN 6205	2
33	TS-0720091	Washer, Lock	3/8"	4
34	10-1205	Bolt Carriage Head	5/16-18x1"	4
35	11-0206	Washer, Lock	5/16"	9
36	12-2000-05	Hex Nut	5/16-18	5
37	40-0304	Bracket, Tension Roller		2
38	40-0308-01	Bracket, Right-Tension Roller		2
39	40-0308-02	Bracket, Left-Tension Roller		2
40	80-1060	Pad, Bracket-Tension Roller		2
41	20-3211	Spring, Tension Roller		4
42	10-4008-16	Screw, Fillister Head-Phillips	#8-32x1"	4
43	40-3166	Catch, Dust Cover		1
44	50-3105	Bushing, Oilite 5/16" I.D.		4
45	30-3051-06	Roller, Tension		2
46	30-3002	Drum, Sanding		1
47	21-1173	Fastener, Abrasive-Outboard		1
48	21-1172	Fastener, Abrasive-Inboard		1
49	10-3003	Screw, Flat Head-Phillips	6-32x3/8"	2
50	80-2003E	Cover, Dust		1
51	80-3137	Knob, Dust Cover		1
52	40-3168E	Latch, Dust Cover		1
53	2244PLUS-253	Knob		1
54	2244PLUS-254	Pin, Hinge	#3x80	2
55	2244PLUS-255	Pan Head Machine Screw	1/4-20x3/4"	3

Index No.	Part No.	Description	Size	Qty.
56.....	11-1000-04	Washer, Lock-Int. Tooth	1/4"	2
57.....	12-2000-04	Hex Nut.....	1/4-20	2
58.....	11-1002-04	Flat Washer	1/4.....	2
59.....	12-9001.....	Hex Nut, Nylon Insert Lock.....	#6-32	2
60.....	2244PLUS-260	Hex Nut.....	3/8-16	1
61.....	2244PLUS-261	Hex Head Cap Screw	1/4-20x1"	1
62.....	2244PLUS-262	Rail, In The Carriage		1
63.....	2244PLUS-263	Pan Head Screw.....	1/4-20x5/8"	2

Parts Breakdown for the 22-44 Plus Open Stand



Part List for the 22-44 Plus Open Stand

Index No.	Part No.	Description	Size	Qty.
1	2244PLUS-301	Leg, Left		2
2	2244PLUS-302	Leg, Right (with TUF tool holder)		2
3	2244PLUS-303	Rail, Long		2
4	2244PLUS-304	Rail, Short		2
5	2244PLUS-305	Shelf	1	1
6	2244PLUS-306	Carriage Bolt	5/16-18x5/8"	24
7	2244PLUS-307	Nut, Flanged Lock	5/16"	24
8	2244PLUS-308	Leveling Foot		4
9	TS-0561031	Hex Nut	3/8"-16	8
10	TS-0680041	Flat Washer	3/8	8
11	TS-0060051	Hex Head Cap Screw	3/8-16x1"	4
12	TS-0680041	Flat Washer	3/8	4

22-44 PIUS

649003KM

230/50/1

	colour of strands	Litzenfarben	couleur des cordons
BK	black	schwarz	noir
WH	white	weiß	blanc
BU	blue	blau	bleu
YE	yellow	gelb	jaune
RD	red	rot	rouge
BN	brown	braun	brun
GY	grey	grau	gris
GNYE	green-yellow	grün-gelb	vert-jaune
OG	orange	orange	orange
VT	violet	violett	violet

	meaning of symbol	Bedeutung der Zeichen	interprétation
M	motor	Motor	moteur
S	switch	Schalter	interrupteur
C	condenser	Kondensator	condensateur
E	electronic unit	Elektronik Einheit	unité électronique
F	fuse	Sicherung	fusible
RS	reversing switch	Drehrichtungsschalter	commu. droite/gauche
CS	centrifugal switch	Fliehkraftschalter	déclencheur centrifuge
OL	overload cut-off	Überlastschutzschalter	déclencheur surcharge
LS	limit switch	Positionsendschalter	micro

