

J E T

3520A

WOOD LATHE

1352000

230/50/1

**PARTS LIST
ERSATZTEILLISTE
LISTE DE PIECES**

WMH Tool Group AG

Bahnstrasse 24, CH – 8603 Schwerzenbach

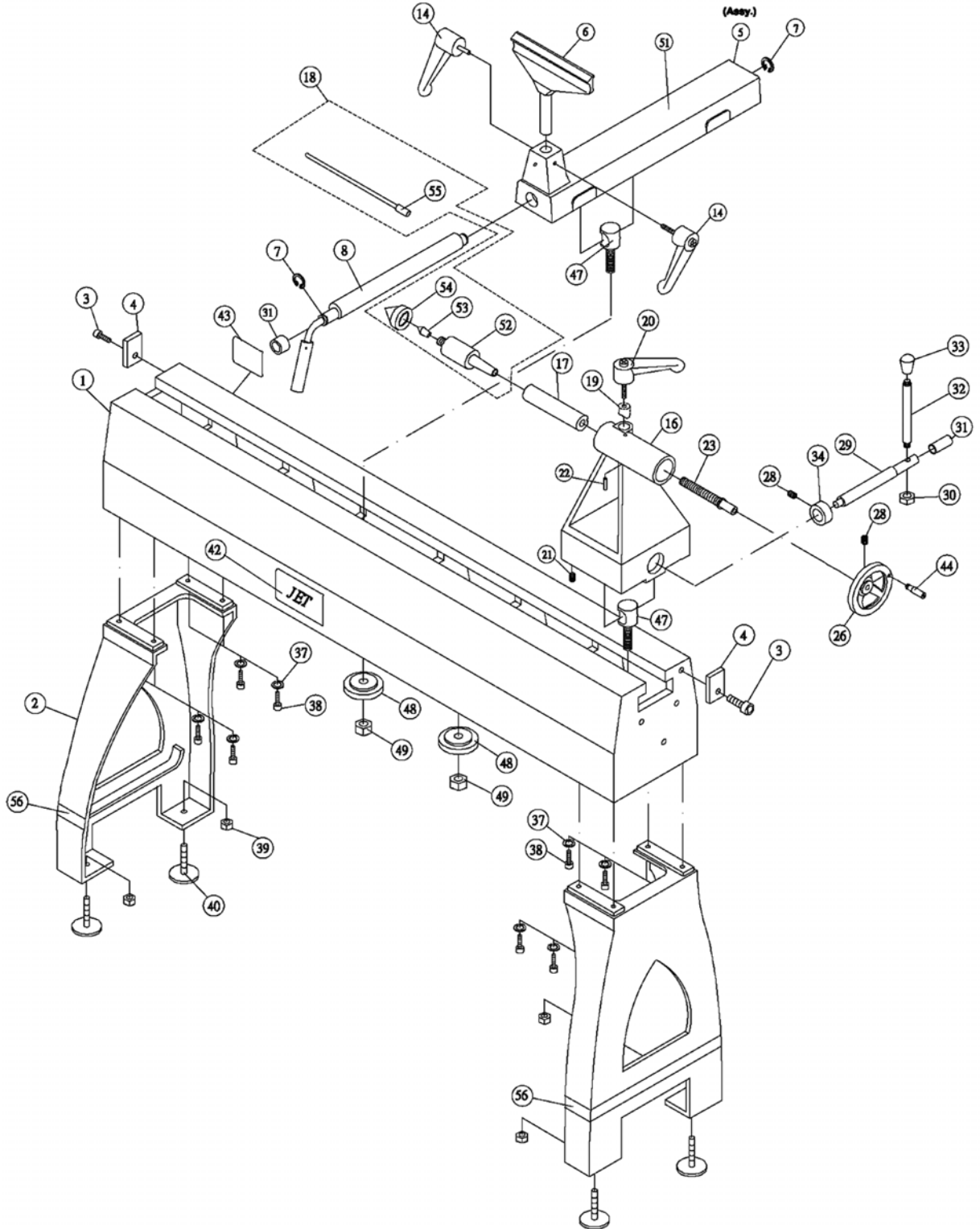
www.wmhtoolgroup.ch; info@wmhtoolgroup.ch

Tel +41 (0) 1 806 47 48

Fax +41 (0) 1 806 47 58



Stand and Bed Assembly

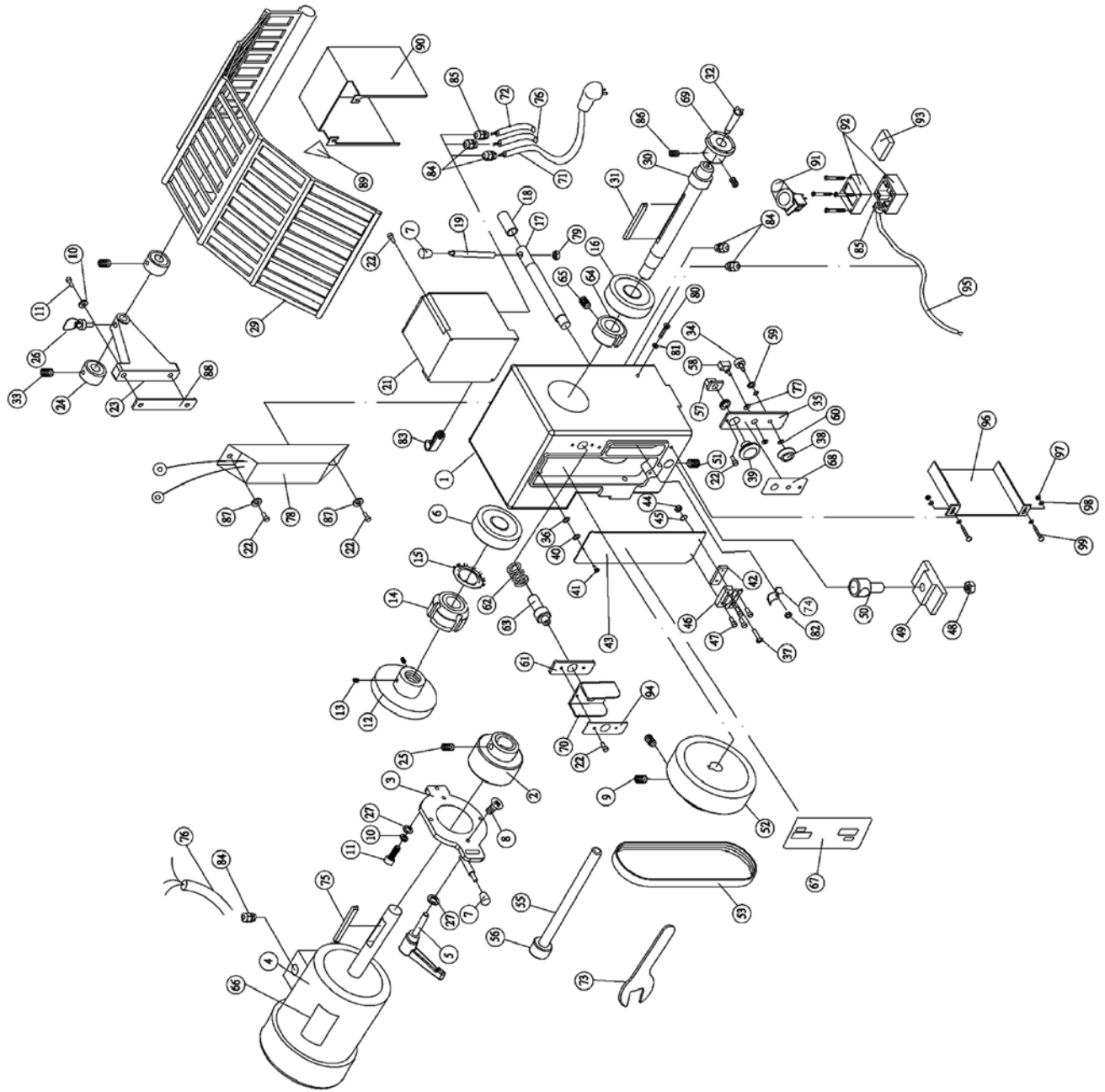


Parts List for the 3520A Woodworking Lathe

Stand and Bed Assembly

Index No.	Part No.	Description	Size	Qty.
1	6295920E	Bed		1
2	3423053E	Lathe Leg		2
3	6716012	Socket Cap Screw		2
4	3761159E	Stop Block		2
5	6294752E	Tool Support Assembly		1
6	6294742E	Tool Support	14"	1
7	6294756	Snap Ring		2
8	6294757	Tool Support Clamp Shaft		1
14	6294763	Handle		2
16	6295907E	Tailstock		1
17	6295908E	Tailstock Quill		1
18	6295902	Live Center Assembly		1
19	3728005	Quill Lock Sleeve		1
20	6295910	Tailstock Quill Handle		1
21	6760102	Set Screw	#10-32x1"	1
22	6623086	Dowel Pin		1
23	6295909	Quill Lead Screw		1
26	6295918	Handwheel		1
28	6715013	Set Screw	5/16"-18X3/8"	2
29	3708012	Tailstock Clamping Shaft		1
30	6294769	Hex Nut		1
31	6095038	Bushing		2
32	3268217	Tailstock Handle		1
33	JWL1642-123	Knob		1
34	3096003	Collar		1
37	6294772	Lock Washer	3/8"	8
38	6726023	Socket Cap Screw	3/8"-16x1-1/4"	8
39	TS-0561031	Hex Nut	3/8"-16	4
40	JWL1642-206	Adjustable Foot		4
42	JWL1442-219	JET Logo		2
43	6294775E	I.D Label		1
44	6295751	Handle		1
47	3058001	Tailstock Clamp Bolt		1
48	3092095	Tailstock/ Toolrest Clamp		2
49	6520009	Lock Nut	5/8"-11	2
51	6295899E	Tool Support Base		1
52	JWL1642-202	Live Center Body		1
53	JWL1642-237	Liver Center Tip		1
54	JWL1642-238	Liver Center Cap		1
55	JWL1642-239	Knockout Rod		1
56	3520A-156	JET Stripe		2

Headstock Assembly



Parts List for the 3520A Woodworking Lathe

Headstock Assembly

Index No.	Part No.	Description	Size	Qty.
	2277128E	Headstock Assembly		1
1	6294792E	Headstock		1
2	3719189	Motor Sheave		1
3	2595036	Motor Assembly Plate		1
4	6294793E	Motor		1
5	6350031	Motor Plate Locking Handle		1
6	6060014	Bearing		1
7	JWL1642-123	Knob		2
8	6716139	Flat Head Socket Screw	3/8"-16x1"	4
9	6714159	Set Screw	1/4"-20x3/8"	2
10	6861300	Lock Washer	3/8"	3
11	6726023	Socket Head Cap Screw	3/8"-16x1-1/4"	3
12	3271081	Handwheel		1
13	6714160	Set Screw	1/4"-20x1/4"	2
14	6549006	Bearing Lock Nut		1
15	6864006	Bearing Lock Washer		1
16	6060185	Bearing		1
17	3708013	Headstock Clamping Sheft		1
18	6095038	Bushing		1
19	3268219	Headstock Handle		1
21	6294780	Inverter		1
22	6760070	Socket Cap Screw	#10-32x5/8"	10
23	3064711E	Lathe Guard Bracket		1
24	JWL1642-187	Retaining Collar		2
25	6714003	Set Screw	1/4"-20x3/8"	2
26	JWL1642-168	Plug		1
27	6296165	Flat Washer	3/8"	2
29	6294728E	Guard Assembly		1
30	6295930E	Head Spindle		1
31	3388100	Key	5/16"x5/16"x5-1/4"	1
32	JWL1642-102	Spur Center	MT2#	1
33	TS-0270011	Set Screw	5/16"-18x1/4"	2
34	JWL1642-142	Control Pot		1
35	JWL1642-139	Control Panel		1
36	JWL1642-149	Clamp Washer		1
37	TS-0810012	Pan Head Screw	#10-32x1/4"	1
38	JWL1642-143	Control Panel Knob		1
39	6294794	Push/ Pull Switch		1
40	JWL1642-147	"O" Ring		1
41	JWL1642-146E	Lock Knob		1
42	JWL1642-155	Pad		1
43	3578348E	Door Panel		1
44	TS-056006	Hex Nut	#8-32	2
45	TS-0720041	Lock Washer	#8	2
46	JWL1642-154	Door Hinge		1
47	6708019	Socket Cap Screw	#8-32x5/8"	4
48	6520009	Lock Nut	5/8"-11	1
49	3092093	Head Head		1
50	3058001	Tool Support Clamp Bolt	5/8"-11x1-1/2"	1
51	6760102	Set Screw	#10-32x1"	1

Index No.	Part No.	Description	Size	Qty.
52	3719188	Spindle Sheave		1
53	6077228	Poly Belt		1
	JWL1442-164	Knockout Rod Assembly (Item 55 & 56)		1
55	3670021	Knockout Rod		1
56	3406201	Teardrop Knob		1
57	6083021	Contact Block		1
58	JWL1642-141	FWD/REV Switch		1
59	6860800	Plain Flat Washer	#10	1
60	JWL1642-188	Hex Nut		1
61	JWL1442-153	Lock Plate		1
62	JWL1442-116	Compression Spring		1
63	3601006	Spindle Lock Plunger		1
64	3097007	Locking Collar		1
65	6715015	Set Screw	5/16"-18x1/4"	2
66	6294783E	Motor Label		1
67	JWL1642-144E	Speed Label		1
68	JWL1642-136	Control Panel Label		1
69	6294736E	3" Faceplate		1
70	JWL1442-121	Spindle Lock Bracket		1
71	6294787E	Power Cord		1
72	6294788	Control Cord		1
73	6294744E	Faceplate Wrench		1
74	6295843	Clamp		1
75	6294789	Motor Key		1
76	6294790E	Motor Cord		1
77	6294791	Hex Nut		1
78	6295733	Bracket Resistor		1
79	TS-0640091	Nylon Lock Nut	3/8"-16	1
80	TS-1502071	Socket Cap Screw	M5x30	1
81	TS-1550031	Flat Washer	M5	1
82	TS-1540031	Hex Nut	M5	1
83	6295912	Clamp		1
84	JWL1642-196E	Clamp	PG13.5	5
85	6295914E	Clamp	PG11	2
86	6295796	Nylon Set Screw	1/4"-20x3/8"	2
87	6860802	Lock Washer	#10	2
88	3520A-288E	Bracket		1
89	3520A-289E	Label		1
90	3520A-290E	Inverter Box		1
91	6295760	Switch		1
92	6295761	Switch Box Kit		1
93	6295763	Magnet		1
94	3520A-294	Label		1
95	6295765	Control Cord		1
96	3520A-296	Safety Guard		1
97	TS-056007	Hex Nut	#10-24	2
98	JWL1642-191E	Flat Washer	#10	4
99	JWL1642-190E	Pan Head Screw	#10-24x1"	2

**3520A
1352000**

	colour of strands	Litzenfarben	couleur des cordons
BK	black	schwarz	noir
WH	white	weiß	blanc
BU	blue	blau	bleu
YE	yellow	gelb	jaune
RD	red	rot	rouge
BN	brown	braun	brun
GY	grey	grau	gris
GNYE	green-yellow	grün-gelb	vert-jaune
OG	orange	orange	orange
VT	violet	violett	violet

	meaning of symbol	Bedeutung der Zeichen	interprétation
M	motor	Motor	moteur
S	switch	Schalter	interrupteur
C	condenser	Kondensator	condensateur
E	electronic unit	Elektronik Einheit	unité électronique
F	fuse	Sicherung	fusible
RS	reversing switch	Drehrichtungsschalter	commu. droite/gauche
S	centrifugal switch	Fliehkraftschalter	déclencheur centrifuge
OL	overload cut-off	Überlastschuttschalter	déclencheur surcharge
LS	limit switch	Positionsendschalter	micro

230/50/1

