

J E T

54 A

JOINTER

179127M

230/50/1

PARTS LIST

ERSATZTEILLISTE

LISTE DE PIECES

WMH Tool Group AG

Bahnstrasse 24, CH-8603 Schwerzenbach

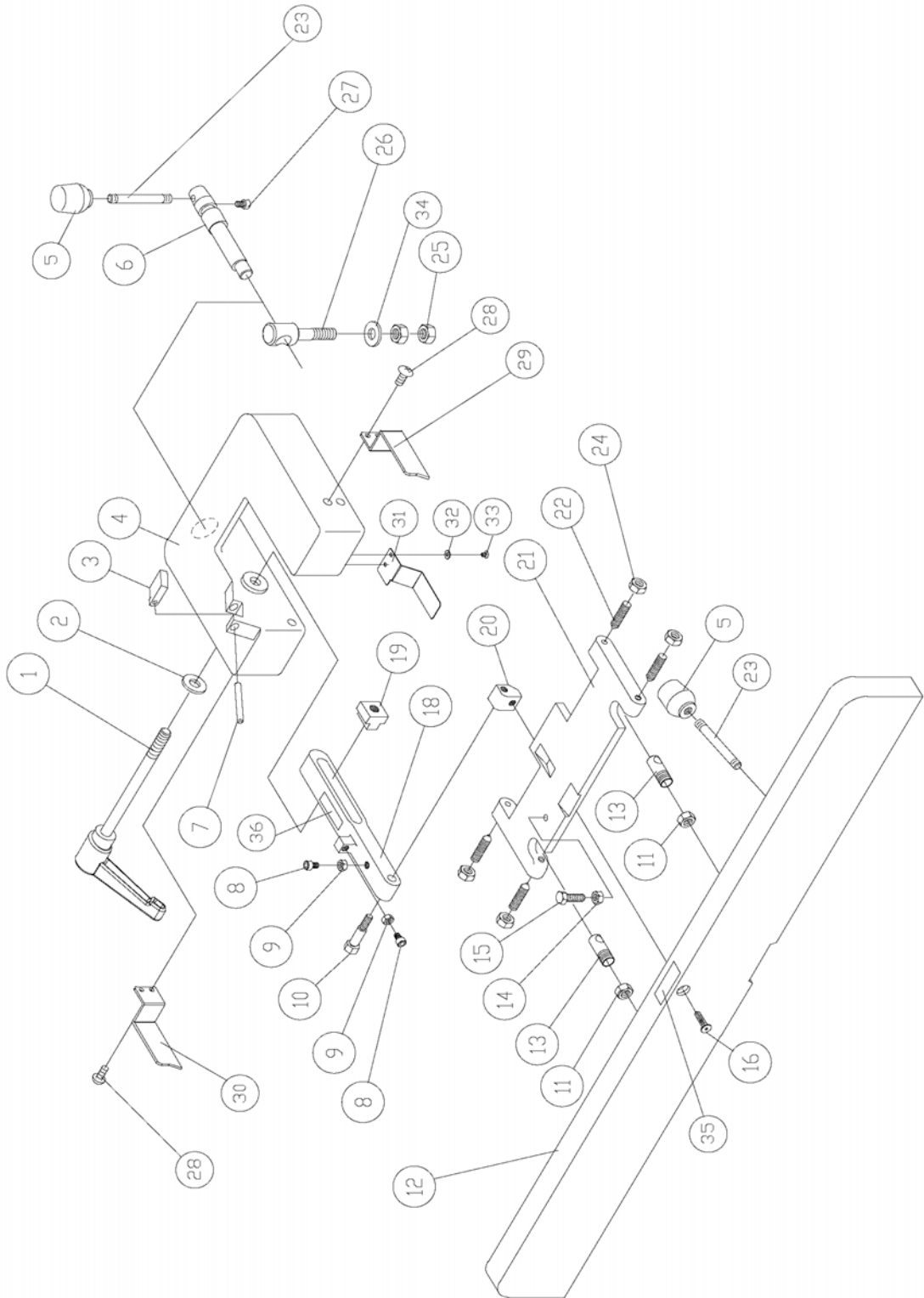
www.wmhtoolgroup.ch; info@wmhtoolgroup.ch

Tel +41 (0) 1 806 47 48

Fax +41 (0) 1 806 47 58



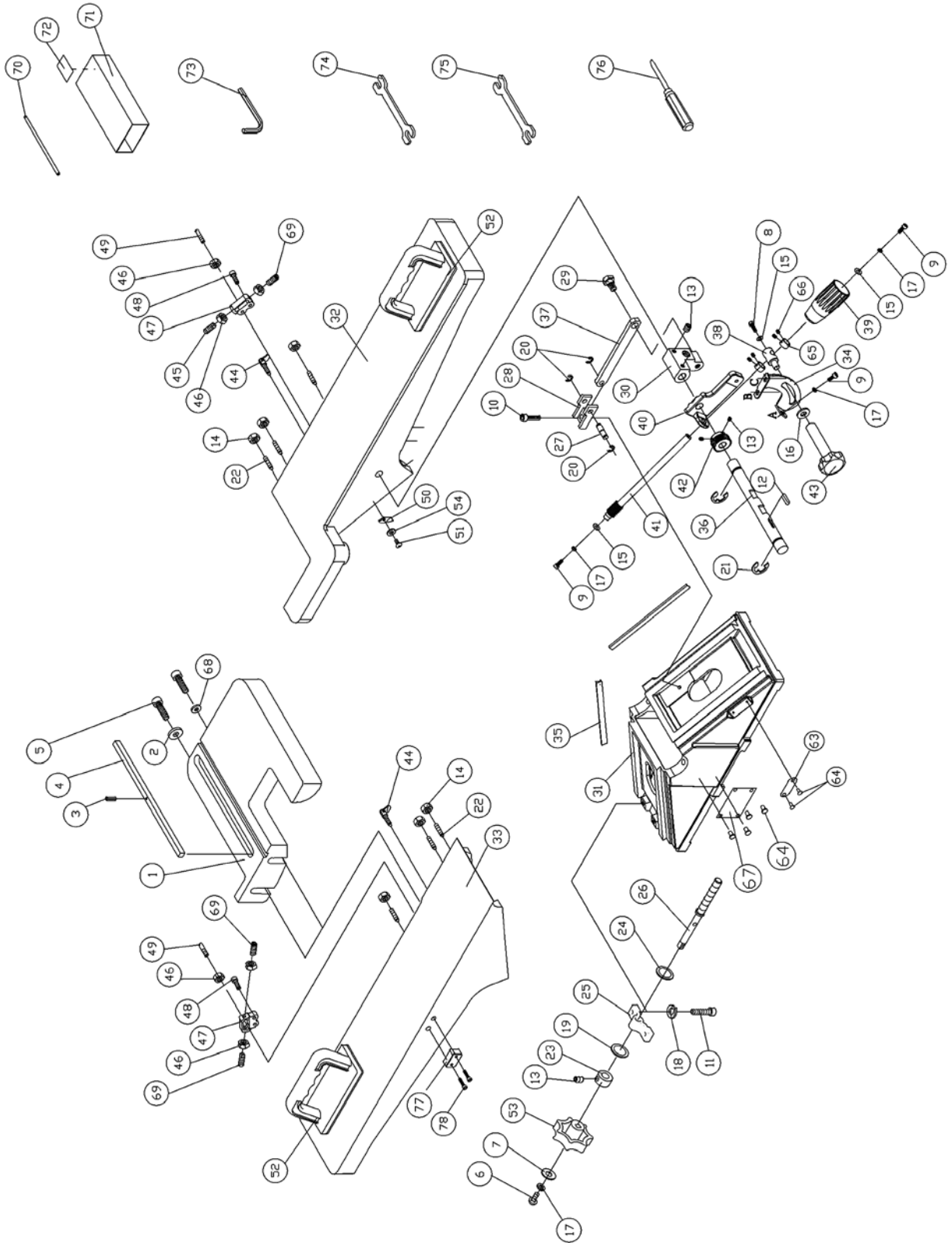
Fence Assembly for the 54A Jointer



Parts List For the 54A Jointer Fence Assembly

Index No.	Part No.	Description	Size	Qty.
.....	6296130E	Fence Assembly.....		1
1.....	6296143	Locking Bolt.....		1
2.....	6296066	Flat Washer.....	1/2"x1-1/8"D	1
3.....	6296067	Stop Block.....		1
4.....	6296068E	Fence Bracket.....		1
5.....	6285945	Knob.....		2
6.....	6296069	Locking Shaft.....		1
7.....	6296070	Pin.....	5mmx50mm	1
8.....	6296071	Cap Screw.....	1/4"-20x1-1/4"	2
9.....	6296072	Hex Nut.....	1/4"-20	2
10.....	6296073	Screw.....		1
11.....	6285940	Hex Nut.....	1/2"-20	2
12.....	6296075E	Fence Body.....		1
13.....	6296076	Bolt.....		2
14.....	6285966	Hex Nut.....	5/16"-18	1
15.....	6296077	Hex Screw.....	5/16"-18x1-1/4"	1
16.....	6296078	Hex Screw.....	5/16"-18x1-1/2"	1
18.....	6296080	Locking Link.....		1
19.....	6296081	Nut.....		1
20.....	6285947	Fixed Block.....		1
21.....	6296082	Fence Link.....		1
22.....	6285942	Cone Point Screw.....		4
23.....	6285944	Handle Stud.....		2
24.....	6285943	Hex Nut.....	3/8"-16	4
25.....	6296083	Hex Nut.....	1/2"-13	2
26.....	6296084	Bolt.....		1
27.....	6296085	Cap Screw.....	1/4"-20x1/2"	1
28.....	54A-F28	Pan Head Screw.....	1/4"-20x3/8"	4
29.....	54A-F29E	Safety Guard - Left.....		1
30.....	54A-F30E	Safety Guard - Right.....		1
31.....	54A-F31E	Safety Guard - Bottom.....		1
32.....	54A-F32E	Flat washer.....	1/4"	2
33.....	54A-F33E	Flat Head Screw.....	1/4"-20x3/8"	2
34.....	54A-F34E	Flat Washer.....	1/2"x1-3/8D	1
35.....	54A-F35E	Direction Label.....		1
36.....	54A-F36E	Scale Label.....		1

Base & Table Assembly for the 54A Jointer

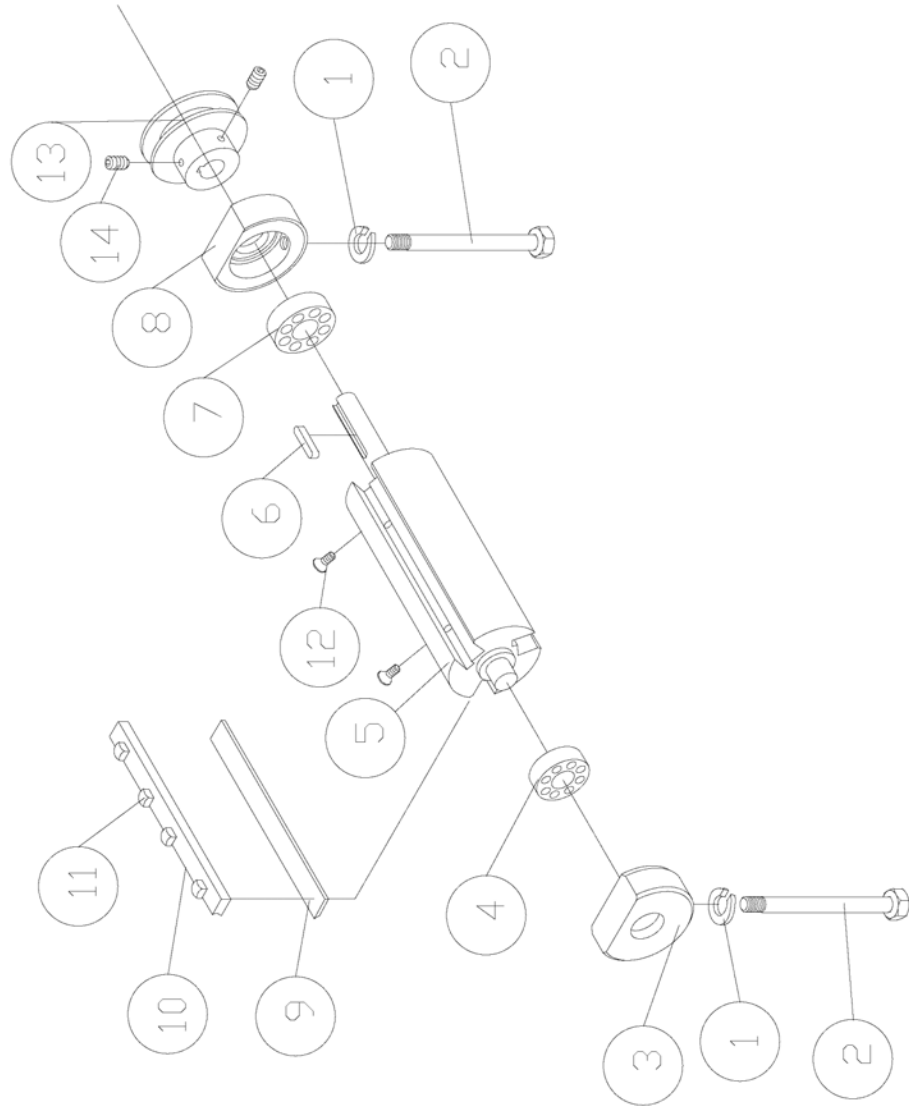


Parts List For Base & Table Assembly

Index No.	Part No.	Description	Size	Qty.
1	6296086	Base Slide		1
2	6296087	Flat Washer	3/8"	1
3	6296088	Spring Pin	4mm x 14mm	1
4	6296089	Key	9.5mm x 273mm	1
5	6285931	Cap Screw	3/8"-16 x 1-1/2"	2
6	6285910	Handle Screw	1/4"-20 x 1/2"	10
7	6284909	Washer	1/4"	2
8	6296091	Hex Screw	1/4"-20 x 3/4"	1
9	6296092	Cap Screw	1/4"-20 x 1/2"	5
10	6296093	Cap Screw	5/16"-18 x 3/4"	1
11	6285912	Cap Screw	5/16"-18 x 2"	2
12	6296094	Key	5mmx5mmx20mm	1
13	6285907	Set Screw	1/4"-20x3/8"	5
14	6285902	Hex Nut	1/4"-20	6
15	6296144	Flat Washer	1/4"x1/2	3
16	6296066	Flat Washer	1/2"	1
17	6296095	Spring Washer	1/4"	6
18	6285911	Spring Washer	5/16"	2
19	6296096	Wavy Washer	1/2"	1
20	6296015	Retaining Ring	ETW-6	3
21	6296022	Retaining Ring	ETW-12	2
22	6285901	Set Screw	1/4"-20x1"	6
23	6285906	Collar		1
24	6285904	Washer		1
25	6285905	Bracket		1
26	6285903	Adjusting Screw		1
27	6296097	Shaft		1
28	6296098	Lock Bracket		1
29	6296099	Bolt		1
30	6296100	Bracket		1
31	6296101	Base		1
32	6296102E	Front Table		1
33	6296103E	Rear Table		1
34	6296104E	Plate		1
35	6296105	Gib		2
36	6296106	Shaft		1
37	6296107	Plate		1
38	6296108	Lock Plate		1
39	6296109	Handle		1
40	6296110	Adjusting Base		1
41	6296111	Worm Shaft		1
42	6296112	Worm		1
43	6296113	Nut		1
44	6285900	Screw		2
45	6296060	Set Screw	5/16"-18x3/4"	2
46	6285966	Hex Nut	5/16"-18	6
47	6296114	Set Block		2
48	6296014	Cap Screw	5/16"-18x3/4"	4
49	6296115	Stud		2
50	6296116	Pointer		1
51	6296117	Pan Head Screw	5/16"-32x1/4"	1
52	6285917	Push Block		2
53	6285908	Wheel		1
63	6296147E	Depth Scale		1

Index No.	Part No.	Description	Size	Qty.
64	6296148	Rivet		6
65	6296151	Collar		2
66	6296152	Set Screw	1/4"-20x1/4"	4
67	54A-T67E	I.D Label		1
68	54A-T68	Flat Washer	3/8"	1
69	54A-T69	Set Screw	5/16"-18x1-1/4"	3
70	54A-T70E	Club		1
71	54A-T71E	Knife Gauge		1
72	54A-T72E	Direction Label		1
73	54A-T73E	Angle Wrench	3mm	1
74	54A-T74E	Open End Wrench	8*10	1
75	54A-T75E	Open End Wrench	12*14	1
76	54A-T76E	Driver Wrench		1
77	54A-77E	Spacer		1
78	54A-78E	Cap Screw	M6x1.0x50	2

Cutterhead Assembly for the 54A Jointer



Parts List For Cutterhead Assembly

Index No.	Part No.	Description	Size	Qty.
	6296074E	Cutterhead Assembly		1
1	6285852	Spring Washer	3/8"	2
2	6285853	Stud		2
3	6285854	Bearing housing		1
4	6285855	Bearing	6202-2NSE	1
5	6285856E	Cutterhead		1
6	6285857	Key	5mmx5mmx25mm	1
7	6285858	Bearing	6203-2NSE	1
8	6285859	Bearing Housing		1
9	6285860	Knife		3
	6285925	Knife Lock Bar Assembly (Items 10 & 11)		1
10	6285861	Knife Lock Bar		3
11	6285862	Hex Screw		12
12	6285863	Flat Socket Screw	M5x0.8Px12mm	6
13	6285864	Pulley		1
14	6285865	Set Screw	1/4"-20x1/4"	4

Parts List For Stand Assembly

Index No.	Part No.	Description	Size	Qty.
	6296131E	Stand Assembly		1
1	6296121E	Stand		1
2	6285974	Door		1
3	6285822	Lock Bolt		3
4	6285852	Spring Washer	3/8"	3
5	6296122	Screw	1/8"-40x3/8"	4
6	6296123	Flat Washer	1/8"	4
7	6285975	Screw Knob		1
8	6285976	Door Lock		1
9	6285977	Hex Nut	3/8"-16	1
10	6285980	Hex Screw	5/16"-18x3/4"	4
11	6285805	Flat Washer	5/16"	8
12	6296124E	V-Belt	A-41	1
13	6296125E	Motor Pulley		1
14	6285865	Set Screw	1/4"-20x1/4"	2
15	6296126E	Motor		1
16	6285988	Spring Washer	5/16"x5/8"	4
17	6285966	Hex Nut	5/16"-18	1
18	6296127E	Motor Cord	H05VV-Fx1.0mm	1
19	6296128E	Switch		1
21	6285962E	Power Cord	H05RN-Fx1.0mm	1
22	6296129E	Belt Guard		1
23	6285909	Washer	1/4"-20x1/2"	8
24	6285910	Handle Screw	1/4"-20x1/2"	8
25	2004017	Dust Chute		1
26	6285978	Key	5mmx5xmmx3mm	1
28	6296134E	Switch Cover		1
29	6296135	Switch Box		1
30	6296136	Pan Head Screw	#10-24x1/2"	2
31	6296137	Washer	#10	2
32	6296138	Machine Screw	M4x1.59Px38mm	4
37	6296149E	Name Plate		1
38	54A-S38	Strip		1
39	54A-S39	Strain Relief	PG11	3
40	54A-S40	Strain Relief	PG9	1
41	54A-S41	Motor Label		1

54 A
179127M

230/50/1

	colour of strands	Litzenfarben	couleur des cordons
BK	black	schwarz	noir
WH	white	weiß	blanc
BU	blue	blau	bleu
YE	yellow	gelb	jaune
RD	red	rot	rouge
BN	brown	braun	brun
GY	grey	grau	gris
GNYE	green-yellow	grün-gelb	vert-jaune
OG	orange	orange	orange
VT	violet	violett	violet

	meaning of symbol	Bedeutung der Zeichen	interprétation
M	motor	Motor	moteur
S	switch	Schalter	interrupteur
C	condenser	Kondensator	condensateur
E	electronic unit	Elektronik Einheit	unité électronique
F	fuse	Sicherung	fusible
RS	reversing switch	Drehrichtungsschalter	commu. droite/gauche
CS	centrifugal switch	Fliehkraftschalter	déclencheur centrifuge
OL	overload cut-off	Überlastschuttschalter	déclencheur surcharge
LS	limit switch	Positionsendschalter	micro

