

# **J E T**

## **AP-0/1/2/3/5 ARBOR PRESS**

**AP-0....333605**

**AP-1....333610**

**AP-2....333620**

**AP-3....333630**

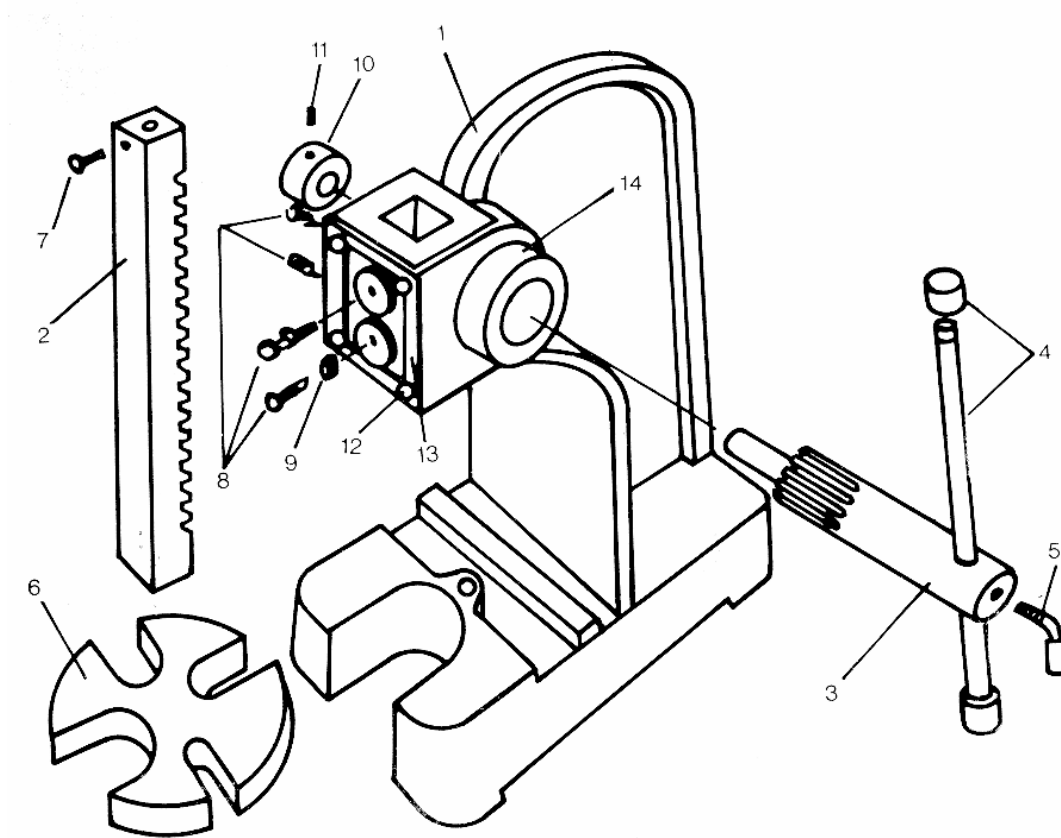
**AP-5....333650**

### **PARTS LIST ERSATZTEILLISTE LISTE DE PIECES**

**WMH Tool Group AG**  
Bahnstrasse 24, CH – 8603 Schwerzenbach  
[www.wmhtoolgroup.ch](http://www.wmhtoolgroup.ch); [info@wmhtoolgroup.ch](mailto:info@wmhtoolgroup.ch)  
Tel +41 (0) 44 806 47 48  
Fax +41 (0) 44 806 47 58



**Breakdown for AP-0 / AP-1 / AP-2 / AP-3 / AP-5 Arbor Presses**



**Parts List for AP-0...1/2 Ton Arbor Press**

Index No.	Part No.	Description	Size	Quantity
1.....	AP0-01.....	Arbor Press Body.....		1
2.....	AP0-02.....	Ram.....		1
3.....	AP0-03.....	Pinion.....		1
4.....	AP0-04.....	Handle and Cap.....		1
5.....	AP0-05.....	Locking Bolt.....		1
6.....	AP0-06.....	Table.....		1
7.....	AP0-07.....	Hex Head Bolt.....		1
8.....	AP0-08.....	Hex Adjusting Bolt.....		6
9.....	AP0-09.....	Hex Nut.....		6
10.....	AP0-10.....	Pinion Retainer.....		1
11.....	AP0-11.....	Set Screw.....		1
12.....	AP0-12.....	Hex Head Bolt.....		4
13.....	AP0-13.....	Face Plate.....		1

**Parts List for AP-1...1 Ton Arbor Press**

Index No.	Part No.	Description	Size	Quantity
1.....	AP1-01.....	Arbor Press Body.....		1
2.....	AP1-02.....	Ram.....		1
3.....	AP1-03.....	Pinion.....		1
4.....	AP1-04.....	Handle and Cap .....		1
5.....	AP1-05.....	Locking Bolt.....		1
6.....	AP1-06.....	Table .....		1
7.....	AP1-07.....	Hex Head Bolt.....		1
8.....	AP1-08.....	Hex Adjusting Bolt.....		6
9.....	AP1-09.....	Hex Nut.....		6
10.....	AP1-10.....	Pinion Retainer.....		1
11.....	AP1-11.....	Set Screw.....		1
12.....	AP1-12.....	Hex Head Bolt.....		4
13.....	AP1-13.....	Face Plate .....		1

**Parts List for AP-2...2 Ton Arbor Press**

Index No.	Part No.	Description	Size	Quantity
1.....	AP2-01.....	Arbor Press Body.....		1
2.....	AP2-02.....	Ram.....		1
3.....	AP2-03.....	Pinion.....		1
4.....	AP2-04.....	Handle and Cap .....		1
5.....	AP2-05.....	Locking Bolt.....		1
6.....	AP2-06.....	Table .....		1
7.....	AP2-07.....	Hex Head Bolt.....		1
8.....	AP2-08.....	Hex Adjusting Bolt.....		6
9.....	AP2-09.....	Hex Nut.....		6
10.....	AP2-10.....	Pinion Retainer.....		1
11.....	AP2-11.....	Set Screw.....		1
12.....	AP2-12.....	Hex Head Bolt.....		4
13.....	AP2-13.....	Face Plate .....		1

**Parts List for AP-3...3 Ton Arbor Press**

Index No.	Part No.	Description	Size	Quantity
1.....	AP3-01.....	Arbor Press Body.....		1
2.....	AP3-02.....	Ram.....		1
3.....	AP3-03.....	Pinion.....		1
4.....	AP3-04.....	Handle and Cap .....		1
5.....	AP3-05.....	Locking Bolt.....		1
6.....	AP3-06.....	Table .....		1
7.....	AP3-07.....	Hex Head Bolt.....		1
8.....	AP3-08.....	Hex Adjusting Bolt.....		6
9.....	AP3-09.....	Hex Nut.....		6
10.....	AP3-10.....	Pinion Retainer.....		1
11.....	AP3-11.....	Set Screw.....		1
12.....	AP3-12.....	Hex Head Bolt.....		4
13.....	AP3-13.....	Face Plate .....		1

**Parts List for AP-5...5 Ton Arbor Press**

Index No.	Part No.	Description	Size	Quantity
1.....	AP5-01.....	Arbor Press Body.....		1
2.....	AP5-02.....	Ram.....		1
3.....	AP5-03.....	Pinion.....		1
4.....	AP5-04.....	Handle and Cap .....		1
5.....	AP5-05.....	Locking Bolt.....		1
6.....	AP5-06.....	Table .....		1
7.....	AP5-07.....	Hex Head Bolt.....		1
8.....	AP5-08.....	Hex Adjusting Bolt.....		6
9.....	AP5-09.....	Hex Nut.....		6
10.....	AP5-10.....	Pinion Retainer.....		1
11.....	AP5-11.....	Set Screw.....		1
12.....	AP5-12.....	Hex Head Bolt.....		4
13.....	AP5-13.....	Face Plate .....		1