

# JET

**DC-1100CK DUST COLLECTOR**

**708626CKM  
230/50/1**

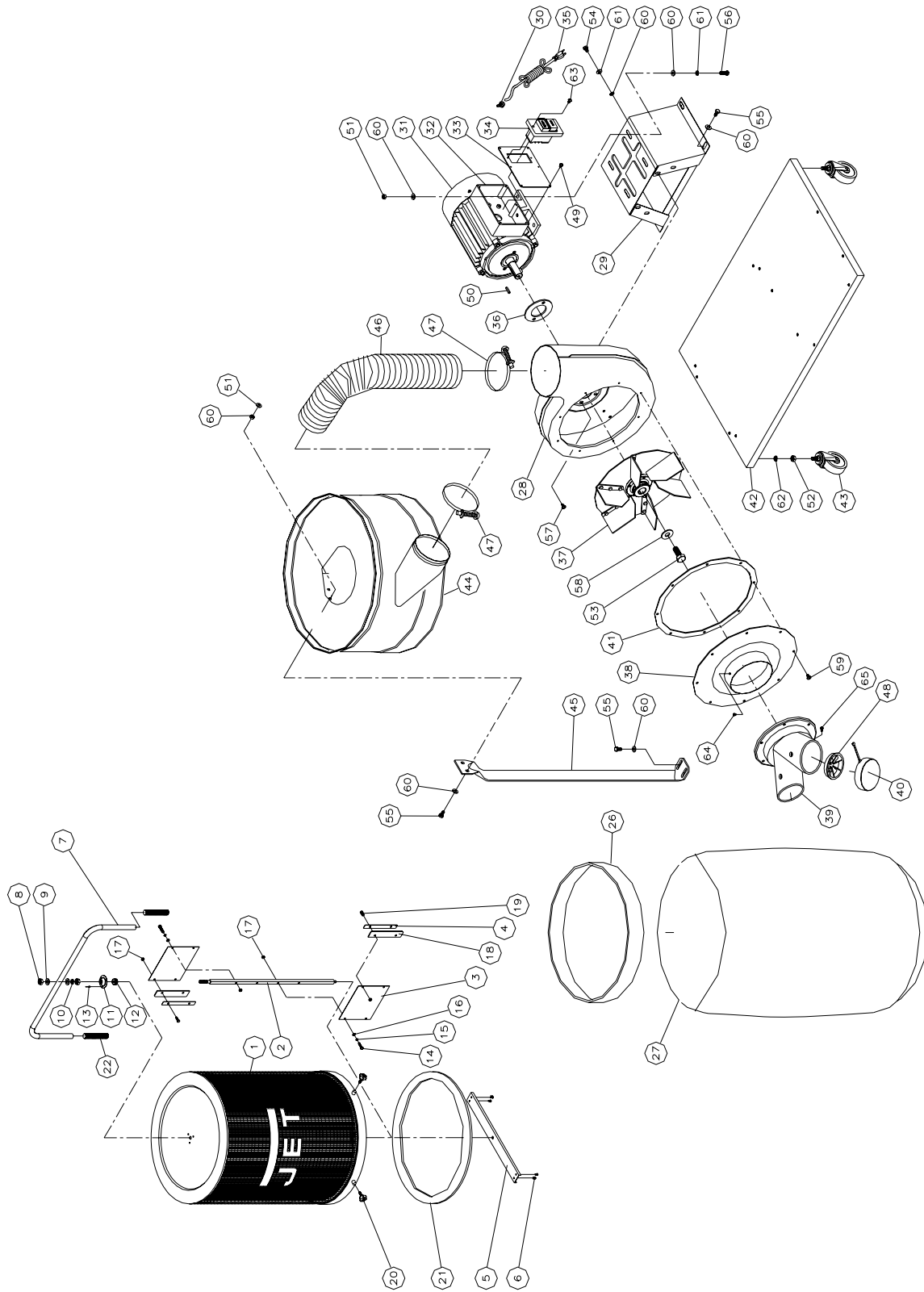
**PARTS LIST  
ERSATZTEILLISTE  
LISTE DE PIECES**

**WMH Tool Group AG**  
Bahnstrasse 24, CH – 8603 Schwerzenbach  
[www.wmhtoolgroup.ch](http://www.wmhtoolgroup.ch); [info@wmhtoolgroup.ch](mailto:info@wmhtoolgroup.ch)  
Tel +41 (0) 44 806 47 48  
Fax +41 (0) 44 806 47 58

P708626CKM 03/06



# Parts Breakdown for DC-1100CK Dust Collector w/Canister Filter



## Parts List for the DC-1100CK Dust Collector w/Canister Filter

Index No.	Part No.	Description	Size	Qty.
1	708739	Filter		1
2	331052	Shaft		1
3	331012	Scraper		2
4	331015	Plate		2
5	331009	Support		2
6	ST049200	Tapping Screw	M4x8	4
7	331050	Handle		1
8	NH101700	Nut	M10	2
9	WF102025	Flat Washer	M10	2
10	WS100000	Spring Washer	M10	1
11	331014	Bracket		1
12	150623	Pad		1
13	BR000052	Rivet		3
14	SH060400	Hex Head Bolt	M6x20	4
15	WS060000	Spring Washer	M6	4
16	WF061310	Flat Washer	M6	4
17	NH061000	Nut	M6	8
18	331017	Plate		2
19	SH069300	Hex Head Bolt	M6x12	4
20	331037	Knob	M6x20	4
21	331031	Pad		1
22	331051	Soft Grip Handle		2
26	331038	Snap Ring		1
27	709563	Plastic Bag		5
28	411035W	Impeller Housing		1
29	411026W	Motor Bracket		1
30	709409	Strain Relief		1
31	DC1100-31E	Motor 230V, 50Hz	1-1/2 HP, 1Ph	1
	DC1100-50W	Motor Fan Cover (not shown)		1
	DC1100-51	Motor Fan (not shown)		1
	CA40250	Running Capacitor (not shown)	40 $\mu$ F, 250V	1
	CA200125	Starting Capacitor (not shown)	200MFD, 125V	1
	DC1100-52CE	Centrifugal Switch (not shown)		1
	DC1100-53CE	Centrifugal Switch Rotor (not shown)		1
32	411051	Switch Box		1
33	411053	Switch Plate		1
34	994542U	Switch		1
35	IC420001	Power Cord		1
36	420051	Motor Packing		1
37	AB411059	Impeller	12"	1
38	411036W	Inlet Guard		1
39	427029	Inlet Port	2 @ 4"	1
40	420203	Inlet Cap		1
41	430034	Inlet Flange Packing		1
42	411041W	Base		1
43	402036	Pivoting Caster		4
44	420012W	Housing		1
45	402004W	Support		3
46	HS530007	Hose		1
47	420010	Ring Clamp	5"	2
48	420937	Inlet Guard		2
49	ST039304	Tapping Screw	M3.5x12	6
50	KS050525	Key	5x5x25	1

Index No.	Part No.	Description	Size	Qty.
51	TS-1540061	Nut	M8	10
52	TS-0561031	Nut	3/8"-16UNC	4
53	TS-1490031	Hex Head Bolt	M8x20	1
54	TS-1490011	Hex Head Bolt	M8x12	4
55	TS-1490021	Hex Head Bolt	M8x16	16
56	TS-1490041	Hex Head Bolt	M8x25	4
57	TS-1554041	Pan Head Bolt W/Flange	M6x12	2
58	TS-0680031	Flat Washer	M8	1
59	TS-1554041	Pan Head Bolt W/Flange	M6x12	8
60	TS-0680031	Flat Washer	M8	34
61	TS-0720081	Spring Washer	M8	8
62	TS-1551071	Spring Washer	M10	4
63	ST059304	Tapping Screw	M5x12	2
64	TS-15533042	Pan Head Screw	M5x10	1
65	ST030204	Tapping Screw	M3x10(AB)	4
	DC1200-54	Direction Label (not shown)		1
	DC1100-IDE	Identification Label (not shown)		1
	DC1100-HP	Hardware Package (not shown)		1
	DC1100-49E	Inlet Guard Warning Label (not shown)		1

# DC-1100CK

## 708626CKM

	colour of strands	Litzenfarben	couleur des cordons
BK	black	schwarz	noir
WH	white	weiß	blanc
BU	blue	blau	bleu
YE	yellow	gelb	jaune
RD	red	rot	rouge
BN	brown	braun	brun
GY	grey	grau	gris
GNYE	green-yellow	grün-gelb	vert-jaune
OG	orange	orange	orange
VT	violet	violett	violet

	meaning of symbol	Bedeutung der Zeichen	interprétation
M	motor	Motor	moteur
S	switch	Schalter	interrupteur
C	condenser	Kondensator	condensateur
E	electronic unit	Elektronik Einheit	unité électronique
F	fuse	Sicherung	fusible
RS	reversing switch	Drehrichtungsschalter	commu. droite/gauche
CS	centrifugal switch	Fliehkraftschalter	déclencheur centrifuge
OL	overload cut-off	Überlastschuttschalter	déclencheur surcharge
LS	limit switch	Positionsendschalter	micro

