

J E T

EHVS-80

Edge Sander

708449M

230/50/1

PARTS LIST

ERSATZTEILLISTE

LISTE DE PIECES

WMH Tool Group AG

Bahnstrasse 24, CH-8603 Schwerzenbach

www.wmhtoolgroup.ch; info@wmhtoolgroup.ch

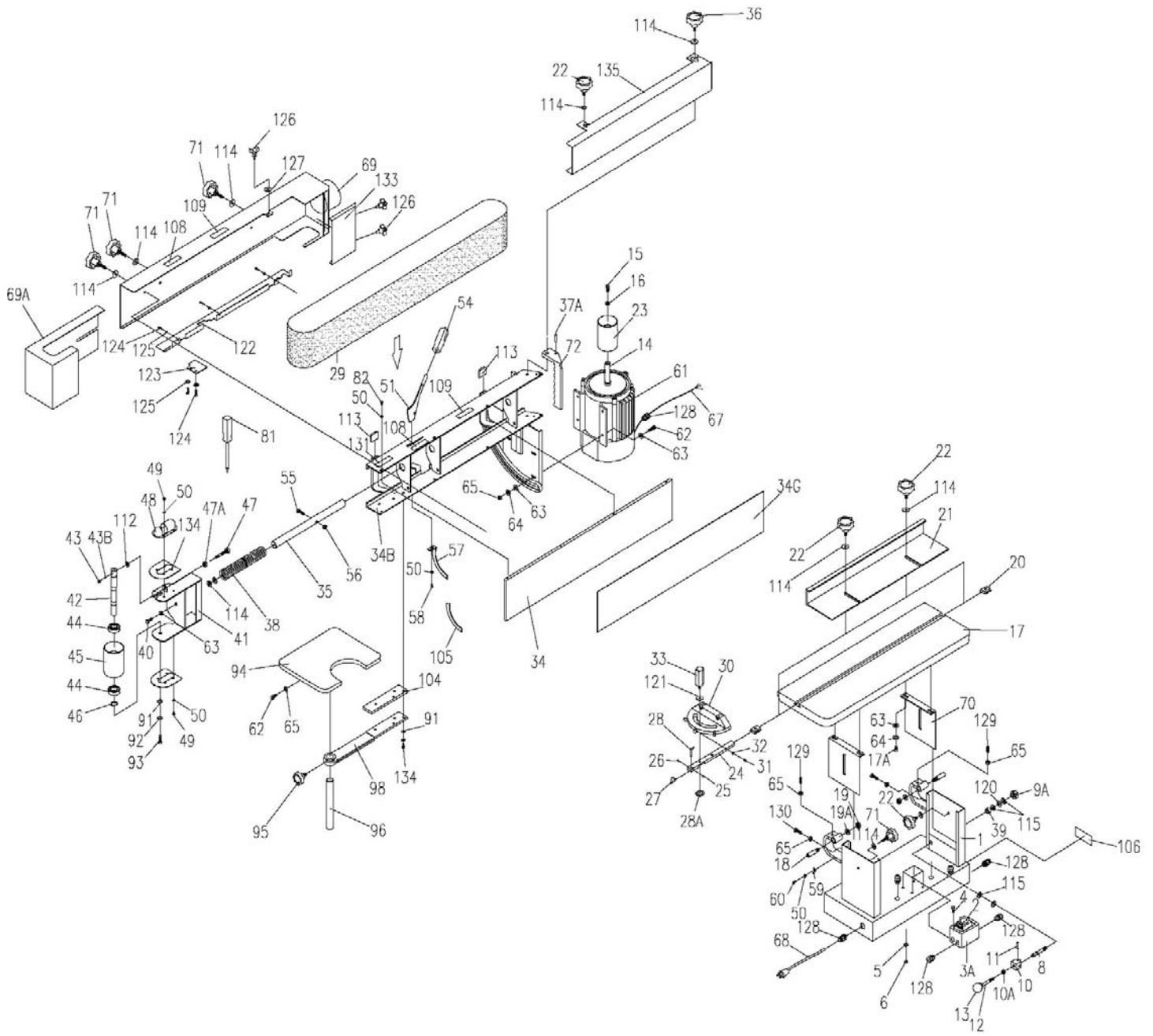
Tel +41 (0) 44 806 47 48

Fax +41 (0) 44 806 47 58



P-708449M 03/02

Table and Motor Assembly for the EHVS-80 Sander



Parts List For The EHVS-80 Sander

Table and Motor Assembly

Index No.	Part No.	Description	Size	Qty.
1	EHVS80CS-01E	Base		1
2	994532E	Switch		1
3A	EHVS80-02B	Switch Box		1
4	EHVS80-04	Pan Head Screw	3/16"x1-1/2"	4
5	EHVS80-05A	External Tooth Lock Washer	3/16"	4
6	EHVS80-06	Nut	3/16"	4
8	EHVS80-08	Work Table Bracket		1
9A	EHVS80-09A	Nylon Nut	3/8"	1
10A	TS-0561031	Hex Nut	3/8"	1
10	EHVS80-10	Locking Block		1
11	EHVS80-11	Spring Pin	M4	1
12	EHVS80-12	Lock Handle		1
13	10102023A	Knob		1
	EHVS80-12A	Lock Handle Assembly (#12,13)		1
14	S0430525	Key	5x5x25	1
15	EHVS80-15	Hex Cap Bolt	1/4"x3/4"	1
16	TS-0561011	Washer	1/4"	1
17	EHVS80-17	Table		1
17A	EHVS80-17A	Hex Cap Bolt	5/16"x5/8"	4
18	EHVS80-18	Screw	M10	2
19	TS-1540073	Hex Nut	M10	2
19A	TS-0720091	Lock Washer	3/8"	2
20	EHVS80-20	Guide Block		2
21	EHVS80-21	Fence		1
22	EHVS80-22A	JETKnob	M8x12mm	3
23	EHVS80-23	Motor Roller		1
24	EHVS80-24	Guide Bar		1
25	S0310306	Pin	M3	1
26	EHVS80-26	Set Screw	1/4"x1/4"	1
27	EHVS80-27	Location Plate		1
28	EHVS80-28	Pointer		1
28A	EHVS80-28A	Locating Block		1
29	See Next Page	Sanding Belt	6"x89"	1
30	10104046	Miter Gauge Body		1
	EHVS80-MG	Miter Gauge Assembly		1
31	S0030108	Round Head Screw	5/32"x5/8"	3
32	EHVS80-32	Nut	5/32"	3
33	EHVS80-33	Knob		1
34	20101048	Platen		1
34G	EHVS80-34G	Graphite		1
34B	EHVS80-34BE	Side Plate		1
	TS-0051061	Hex Cap Bolt (motor plate – not shown)	5/16"x1-1/4"	2
	TS-0561021	Hex Nut (motor plate – not shown)	5/16"	2
35	EHVS80-35	Tension Bar		1
36	EHVS80-36A	JET Knob	M8x35mm	1

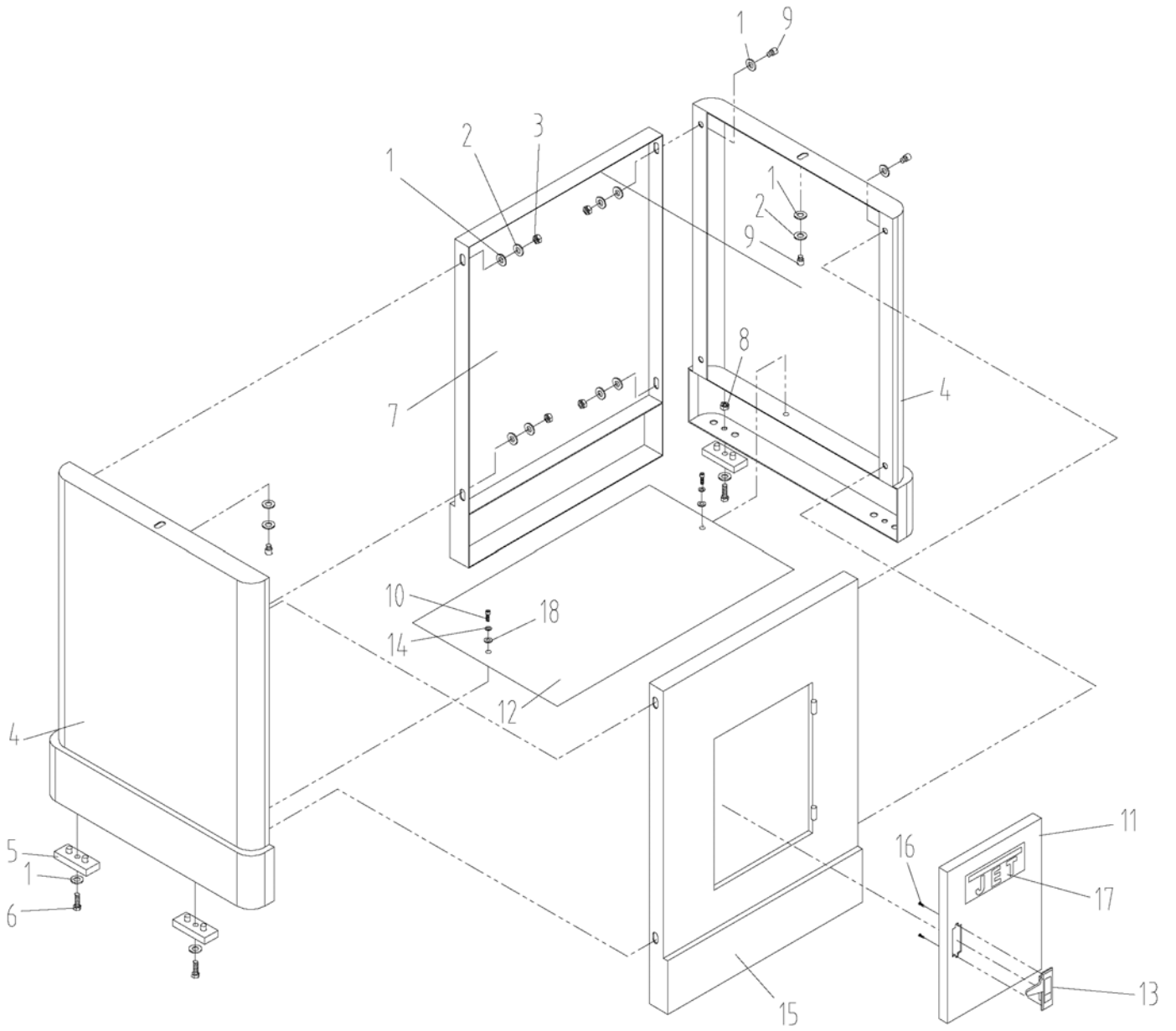
Index No.	Part No.	Description	Size	Qty.
37A	EHVS80-37A	Pin	M6x40mm	1
38	EHVS80-38	Spring		1
39	EHVS80-39A	Spacer		1
40	EHVS80-40	Hex Cap Bolt	5/16"x1"	1
41	EHVS80-41E	Roller Arm		1
42	EHVS80-42	Shaft		1
43	EHVS80-43	Nut	1/4"	1
43B	TS-0267051	Set Screw		1
44	BB-6004ZZ	Ball Bearing	6004ZZ	2
45	EHVS80-45	Driven Roller		1
46	EHVS80-46	Spring Ring	STW-19	1
47	EHVS80-47	Micro-Adjusting Screw		1
47A	EHVS80-47A	Adjusting-Adjusting Nut		1
48	EHVS80-48	Protective Cover		1
49	S0030304	Round Head Screw	3/16"x3/8"	8
50	EHVS80-50	Star Washer	3/16"	19
51	EHVS80-51	Belt Tensioning Arm		1
54	EHVS80-54	Handle		1
55	TS-0051081	Hex Cap Bolt	5/16"X1-3/4"	1
56	TS-0561021	Hex Nut	5/16"	1
57	EHVS80-57	Tilt Scale		1
58	EHVS80-58	Hex Socket Screw	3/16"x3/8"	1
59	EHVS80-59	Pointer		1
60	EHVS80-60	Screw	3/16"x1/4"	1
61	EHVS80-61E	Motor		1
62	TS-0051061	Hex Cap Bolt	5/16"x1-1/4"	2
63	TS-0680031	Washer	5/16"	14
64	TS-0720081	Lock Washer	5/16"	8
65	TS-0561021	Hex Nut	5/16"	10
67	EHVS80-67E	Motor Cord	H05RN-Fx1.0mm	1
68	EHVS80-68E	Power Cord	H05RN-Fx1.0mm	1
69	EHVS80-69E	Belt Cover		1
69A	EHVS80-69AE	Belt Cover (smaller)		1
70	EHVS80-70A	Up-Down Plate		2
71	EHVS80-71A	JET Knob	M8x20mm	4
72	EHVS80-72	Backstop		1
81	EHVS80-81	Driver Wrench		1
82	EHVS80-82	Flat Head Screw	3/16"x1/2"	8
91	TS-0680021	Flat Washer	1/4"	5
92	TS-0720071	Lock Washer	1/4"	5
93	EHVS80-93	Screw	M6x16mm	1
94	EHVS80-94	Extension Table		1
95	EHVS80-95	Knob		1
96	EHVS80-96	Supporting Rod		1
98	EHVS80-98AE	Bracket		1
104	EHVS80-104E	Plate		1
105	EHVS80-57AE	Scale Label		1
106	EHVS80-106	I.D Label		1
108	EHVS80-108E	Label		1

Index No.	Part No.	Description	Size	Qty.
109	EHVS80-109E	Label		1
112	EHVS80-112	Washer	1/4"	1
113	EHVS80-113	Protecting Rubber		2
114	TS-0680031	Washer	M8"x23Dx2t	10
115	EHVS80-115	Flat Washer	3/8"	4
120	EHVS80-120	Fiber Washer	3/8"	1
121	EHVS80-121	Fiber Washer		1
122	EHVS80-122	L Plate		1
123	EHVS80-123	Plate		1
124	EHVS80-124	Pan Head Screw	3/16"-24x3/8"	5
125	EHVS80-125	Spring Washer	3/16"	5
126	EHVS80-126	Knob		4
127	EHVS80-127	Flat Washer	1/4"x23Dx2t	2
128	EHVS80-128	Strain Relief	PG11	7
129	EHVE80-129	Set Screw	5/16"x1"	2
130	EHVE80-130	Hex Cap Bolt		2
131	EHVS80-131	Label		1
132	EHVS80-132	Hex Cap Bolt	1/4"x1"	4
133	EHVS80-133E	Belt Cover		1
134	EHVS80-134E	Safety Cover		2
135	EHVS80-135E	Extension Table Cover		1
	EHVS80-AT	Adjusting Tool (not show)		1
	EHVS80-HK	Hardware Kit (not show)		1
	EHVS80-MG	Miter Gauge Assembly Complete		1

Sanding Belts

40 Grit Open Coat	57422810
60 Grit Open Coat	57422910
80 Grit Open Coat	57423010
100 Grit Open Coat	57423110
120 Grit Open Coat	57423210
150 Grit Open Coat	57423310
180 Grit Open Coat	57423410
40 Grit Closed Coat	57618210
60 Grit Closed Coat	57618410
80 Grit Closed Coat	57618510
100 Grit Closed Coat	57618610
120 Grit Closed Coat	57618710
150 Grit Closed Coat	57512410
180 Grit Closed Coat	57512510

Stand Assembly for the EHVS-80 Sander



Parts List For The EHVS-80 Sander

Stand Assembly

Index No.	Part No.	Description	Size	Qty.
1	TS-0680031	Flat Washer	5/16"	22
2	TS-0720081	Lock Washer	5/16"	10
3	TS-0561021	Hex Nut	5/16"	8
4	EHVS80CS-S04	Side Panel		2
5	EHVS80CS-S05	Pad		4
6	EHVS80CS-S06	Screw	5/16"x5/8"	4
7	EHVS80CS-S07	Rear Panel		1
8	TS-0561021	Hex Nut	5/16"	4
9	TS-0081031	Hex Cap Bolt	5/16"-3/4"	10
10	EHVS80CS-S10	Pan Head Screw	M5x10	2
11	EHVS80CS-S11	Door		1
12	EHVS80CS-S12	Shelf		1
13	EHVS80CS-S13	Latch Assembly		1
14	TS-1551031	Lock Washer	M5	2
15	EHVS80CS-S15	Front Panel (w/door)		1
16	EHVS80CS-S16	Pan Head Screw		2
17	EHVS80CS-S17	JET Label		1
18	EHVS80CS-S18	Flat Washer	M5	2

**EHVS-80
708449 M**

230/50/1

	colour of strands	Litzenfarben	couleur des cordons
BK	black	schwarz	noir
WH	white	weiß	blanc
BU	blue	blau	bleu
YE	yellow	gelb	jaune
RD	red	rot	rouge
BN	brown	braun	brun
GY	grey	grau	gris
GNYE	green-yellow	grün-gelb	vert-jaune
OG	orange	orange	orange
VT	violet	violett	violet

	meaning of symbol	Bedeutung der Zeichen	interprétation
M	motor	Motor	moteur
S	switch	Schalter	interrupteur
C	condenser	Kondensator	condensateur
E	electronic unit	Elektronik Einheit	unité électronique
F	fuse	Sicherung	fusible
RS	reversing switch	Drehrichtungsschalter	commu. droite/gauche
CS	centrifugal switch	Fliehkraftschalter	déclencheur centrifuge
OL	overload cut-off	Überlastschuttschalter	déclencheur surcharge
LS	limit switch	Positionsendschalter	micro

