

# **J E T**

**GH-1440W**

**METALWORKING LATHE**

**321840T  
400/50/3**

**PARTS LIST  
ERSATZTEILLISTE  
LISTE DE PIECES**

**WMH Tool Group AG**

Bahnstrasse 24, CH – 8603 Schwerzenbach

[www.wmhtoolgroup.ch](http://www.wmhtoolgroup.ch); [info@wmhtoolgroup.ch](mailto:info@wmhtoolgroup.ch)

Tel +41 (0) 44 806 47 48

Fax +41 (0) 44 806 47 58

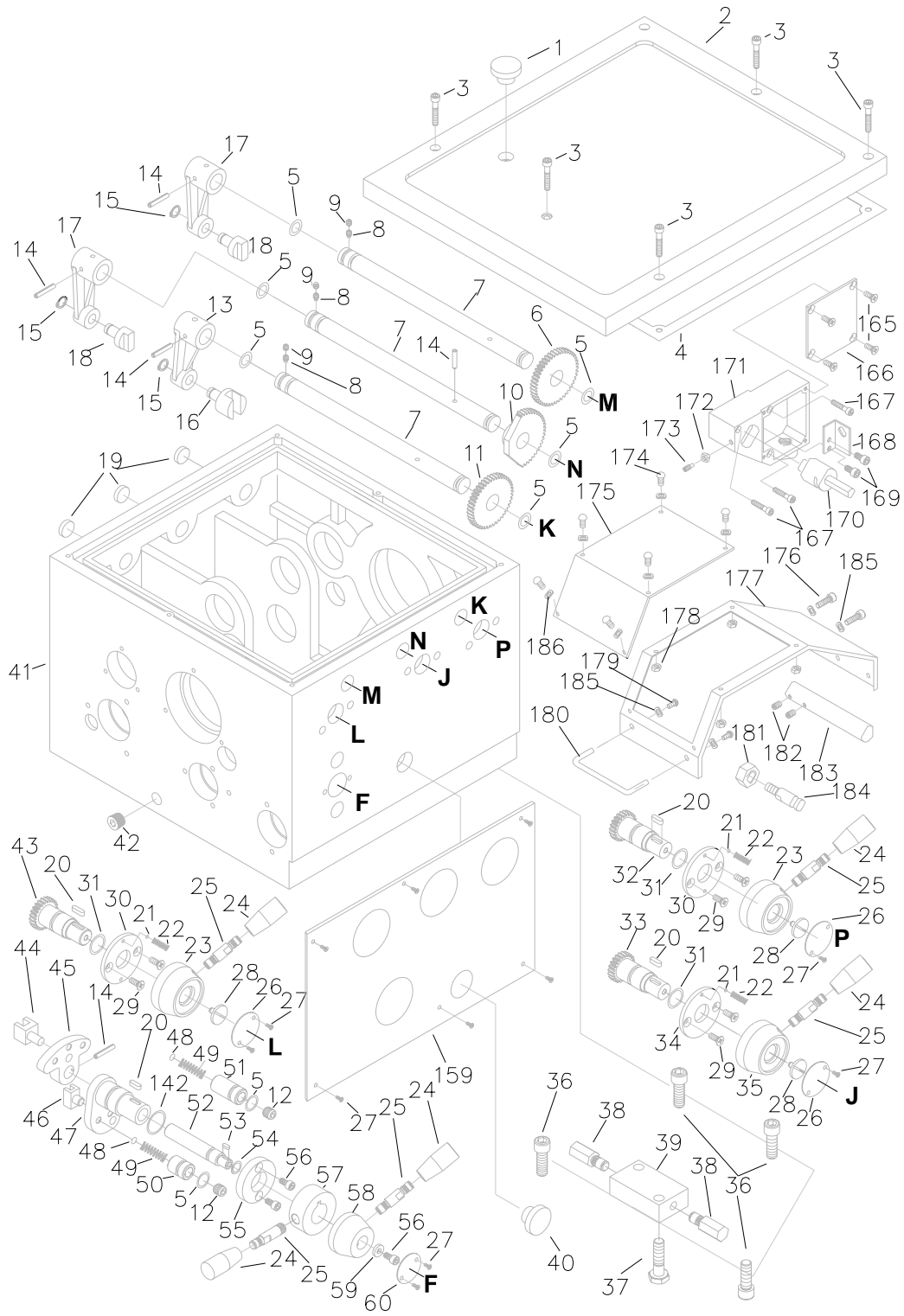


P-321840T 11/04

## Table of Contents.

<b>Item.</b>	<b>Contents</b>	<b>Page</b>
1.	Table of contents	2
2.	Headstock Assembly I	3-5
3.	Headstock Assembly II	6-8
4.	Headstock Assembly III	9-11
5.	Gearbox Assembly I	12-13
6.	Gearbox Assembly II	14-16
7.	Gearbox Assembly III	17-19
8.	Apron Assembly I	20-22
9.	Apron Assembly II	23-24
10.	Saddle & Cross Slide Assembly	25-27
11	Top Slide & Tool Post Assembly	28-29
12	Tailstock Assembly	30-31
13	Bed & Shaft Assembly	32-34
14	Stand & Brake Assembly	35-37
15	End Gear Assembly	38-39
16	Follow Rest	40
17	Thread Dial Assembly	41
18	Steady Rest	42-43
19	Coolant & Work Light Assembly	44
20	Electrical Components	45-46
21	Wiring Diagram	47-48

# Headstock Assembly I

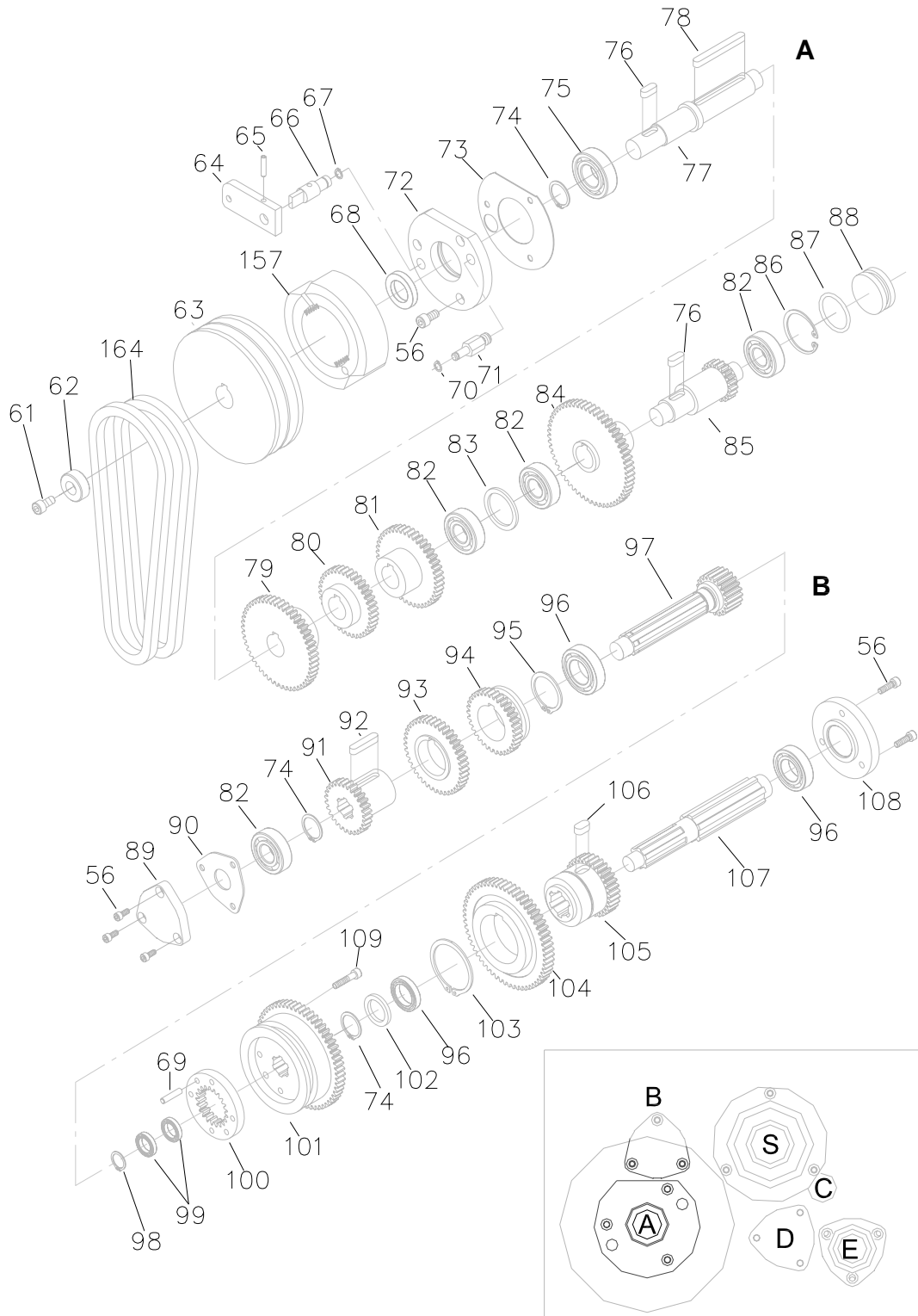


## Headstock Assembly I

Index No.	Part No.	Description	Size	Quantity
1	GH1340A-04-06	Plug		1
2	GH1440W-04-60	Headstock Cover		1
3	TS-1503081	Hex Socket Cap Screw	M6x35	6
4	GH1440W-04-61	Gasket		1
5	GB3452.1-14x2.65	O-Ring	14x2.65	8
6	GH1440W-04-38	Gear	38T	1
7	GH1440W-04-41	Shaft		3
8	GB75-M6x10	Set Screw	M6x10	3
9	GB77-M6x6	Set Screw	M6x6	3
10	GH1440W-04-37	Gear	48T	1
11	GH1440W-04-36	Gear	43T	1
12	GB77-M12x12	Set Screw	M12x12	2
13	GH1440W-04-43	Shift Arm		1
14	GB879-5x30	Spring Pin	5x30	7
15	GB894.2-12	Retainer Ring	12	3
16	GH1440W-04-45	Shift Fork		1
17	GH1440W-04-35	Shift Arm		2
18	GH1440W-04-44	Gear Shifter		2
19	04-10	Plug		3
20	GB1096-5x16	Key	5x16	4
21	GB308-SB8	Steel Ball	8	5
22	C6240-20018	Spring		5
23	GH1440W-04-49	Handle Body		2
24	GB4141.14-BM10x50	Handle Cap		5
25	GH1440W-04-34	Handle Lever		5
26	C6240-20001	Lever Name Plate		3
27	TS-1531012	Pan Head Machine Screw	M3x6	8
28	GH1440W-04-59	Screw		3
29	TS-1503031	Screw	M6x12	6
30	GH1440W-04-50	Position Plate		2
31	GB3452.9-19x2.65	O-Ring	19x2.65	3
32	GH1440W-04-40	Gear Shaft	22T	1
33	GH1440W-04-42	Gear Shaft	17T	1
34	GH1440W-04-51	Position Plate		1
35	GH1440W-04-48	Handle Body		1
36	TS-1506041	Hex Socket Cap Screw	M12x35	4
37	GB5782-M10x40	Alignment Bolt	M10x40	2
38	GH1440W-04-62	Alignment Bolt		2
39	GH1440W-04-63	Alignment Block		1
40	GB1160.1-89	Oil Sight Glass	20	1
41	GH1440W-04-01	Headstock Casting		1

42.....	05-75.....	Drain Plug.....	1
43.....	GH1440W-04-39.....	Gear Shaft .....27T.....	1
44.....	GH1440W-04-47.....	Shaft Fork.....	1
45.....	GH1440W-04-36.....	Shifting Crank.....	1
46.....	GH1440W-04-71.....	Shaft Fork.....	1
47.....	GH1440W-04-56.....	Shifting Crank.....	1
48.....	GB308-SB9.....	Steel Ball.....9.....	2
49.....	GH1440W-49.....	Spring.....	2
50.....	GH1440W-04-52.....	Shaft.....	1
51.....	GH1440W-04-54.....	Shaft.....	1
52.....	GH1440W-04-53.....	Shaft.....	1
53.....	GB1096-4x10.....	Key.....4x10.....	1
54.....	GB3452.9-10.6x2.65.....	O-Ring.....10.6x2.65.....	1
55.....	GH1440W-04-55.....	Collar.....	1
56.....	TS-1503031.....	Hex Socket Cap Screw.....M6x12.....	18
57.....	GH1440W-04-57.....	Collar.....	1
58.....	GH1440W-04-58.....	Handle Body.....	1
59.....	04-62.....	Washer.....	1
60.....	04-90.....	Lever Name Plate.....	1
142.....	GB3452.9-25x2.65.....	O-Ring.....25x2.65.....	3
<b>159.....</b>	<b>GH1440S-04-02.....</b>	<b>Label.....</b>	<b>1</b>
<b>165.....</b>	<b>GB819-85.....</b>	<b>Screw.....M5 x10.....</b>	<b>4</b>
<b>166.....</b>	<b>GH1440W-10F-08.....</b>	<b>Electrical Box Cover.....</b>	<b>1</b>
<b>167.....</b>	<b>GB70-85.....</b>	<b>Hex Socket Cap Screw.....M5 x45.....</b>	<b>3</b>
<b>168.....</b>	<b>GH1440W-10F-09.....</b>	<b>Electrical Support.....</b>	<b>1</b>
<b>169.....</b>	<b>GB70-82.....</b>	<b>Hex Socket Cap Screw.....M5 x8.....</b>	<b>2</b>
<b>170.....</b>	<b>GH1440W-10F-03.....</b>	<b>Shaft.....</b>	<b>1</b>
<b>171.....</b>	<b>GH1440W-10F-05.....</b>	<b>Electrical Box.....</b>	<b>1</b>
<b>172.....</b>	<b>GH6170-85.....</b>	<b>Nut.....M6.....</b>	<b>1</b>
<b>173.....</b>	<b>GB79-85.....</b>	<b>Set Screw.....M5 x25.....</b>	<b>1</b>
<b>174.....</b>	<b>GB818-85.....</b>	<b>Screw.....M4x12.....</b>	<b>6</b>
<b>175.....</b>	<b>GH1440W-10F-02.....</b>	<b>Window.....</b>	<b>1</b>
<b>176.....</b>	<b>GB70-85.....</b>	<b>Hex Socket Cap Screw.....M5 x10.....</b>	<b>2</b>
<b>177.....</b>	<b>GH1440W-10F-01.....</b>	<b>Chuck Cover.....</b>	<b>1</b>
<b>178.....</b>	<b>GB170-85.....</b>	<b>Nut.....M4.....</b>	<b>6</b>
<b>179.....</b>	<b>GB818-85.....</b>	<b>Screw.....M5 x10.....</b>	<b>2</b>
<b>180.....</b>	<b>GH1440W-10F-07.....</b>	<b>Knob.....</b>	<b>1</b>
<b>181.....</b>	<b>GH6170-85.....</b>	<b>Nut.....M12.....</b>	<b>1</b>
<b>182.....</b>	<b>GB88-85.....</b>	<b>Set Screw.....M8x8.....</b>	<b>2</b>
<b>183.....</b>	<b>GH1440W-10F-04.....</b>	<b>Spacer.....</b>	<b>1</b>
<b>184.....</b>	<b>GH1440W-10F-06.....</b>	<b>Shaft.....</b>	<b>1</b>
<b>185.....</b>	<b>GB96-12.....</b>	<b>Washer.....5.....</b>	<b>4</b>
<b>186.....</b>	<b>GB96-12.....</b>	<b>Washer.....4.....</b>	<b>6</b>

# Headstock Assembly II



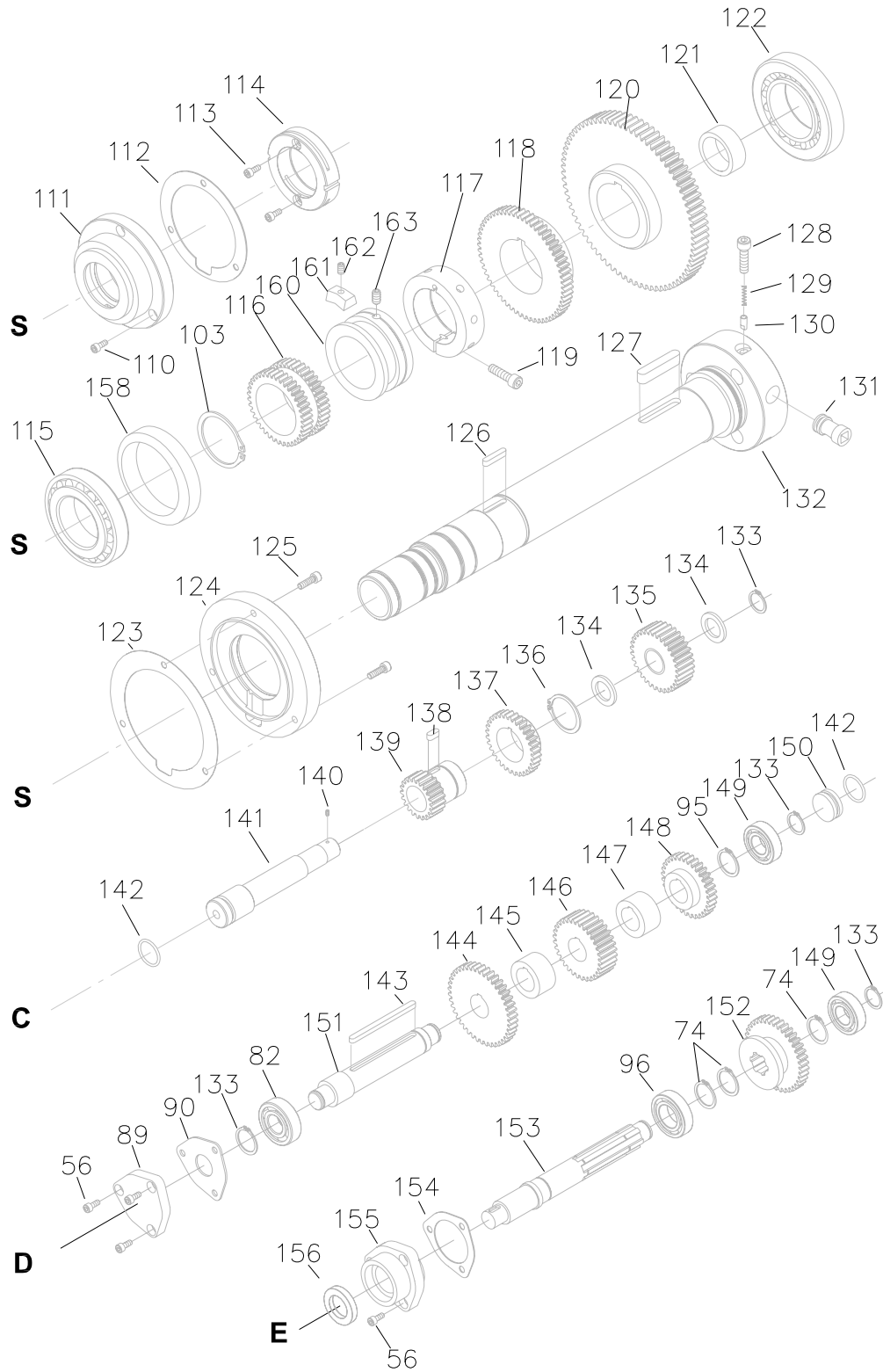
## Headstock Assembly II

Index No.	Part No.	Description	Size	Quantity
56	TS-150301	Hex Socket Cap Screw	M6x12	18
61	TS-150401	Hex Socket Cap Screw	M8x20	1
62	04-12	Washer		1
63	04-11	Pulley		1
64	11-10	Break Block		1
65	GB879-5 x16	Pin	5x16	1
66	11-09	Brake Actuator Shaft		1
67	GB894.2-12	Retainer Ring	12	1
68	GB9877.1-SD25x45x10	Seal	SD25x45x10	1
69	GB117-A6 26	Pin	A6x26	2
70	GB894.2-8	Retainer Ring	8	1
71	11-11	Brake Retainer Stud		1
72	04-13	Cover		1
73	04-14	Gasket		1
74	GB894.2-25	Retainer Ring	25	6
75	GB/T276-6205	Ball Bearing	6205/p5	1
76	GB1096-8x20	Key	8x20	2
77	GH1440W-04-03	Shaft		1
78	GB1096-8x72	Key	8x72	1
79	GH1440W-04-04	Gear	50T	1
80	GH1440W-04-05	Gear	37T	1
81	GH1440W-04-06	Gear	43T	1
82	GB/T276-6204	Ball Bearing	6204/p5	5
83	GH1440W-04-17	Washer		1
84	GH1440W-04-12	Gear	57T	1
85	GH1440W-04-11	Gear Shaft	20T	1
86	GB893.1-47	Retainer Ring	47	1
87	GB3452.1-40x2.65	O-Ring	40x2.65	1
88	04-28	Plug		1
89	04-53	Bearing Cap		2
90	04-52	Bearing Cap Gasket		2
91	GH1440W-04-08	Gear	28T	1
92	GB1096-8x38	Key	8x38	1
93	GH1440W-04-09	Gear	41T	1
94	GH1440W-04-10	Gear	34T	1
95	GB894.2-40	Retainer Ring	40	1
96	GB/T276-6005	Ball Bearing	6005/p5	4
97	GH1440W-04-07	Gear Shaft	21T	1
98	GB894.2-17	Retainer Ring	17	1
99	GB/T276-61803	Ball Bearing	61803/p5	2
100	GH1440W-04-15	Gear	21T	1
101	GH1440W-04-14	Gear	58T	1

102.....	GH1440W-04-16.....	Washer .....	1
103.....	GB894.2-55 .....	Retainer Ring.....55 .....	2
104.....	GH1440W-04-19.....	Gear.....59T .....	1
105.....	GH1440W-04-18.....	Gear.....31T .....	1
106.....	GB1096-10x18 .....	Key .....	10x18.....1
107.....	GH1440W-04-13.....	Spline Shaft .....	1
108.....	GH1440W-04-24.....	Cover .....	1
109.....	TS-150308 .....	Hex Socket Cap Screw .....	M6x35.....4
157.....	11-15 .....	Brake Shoe Assembly .....	1
164.....	VB-A74 .....	V-Belt(for GH-1440W-3).....	2



# Headstock Assembly III

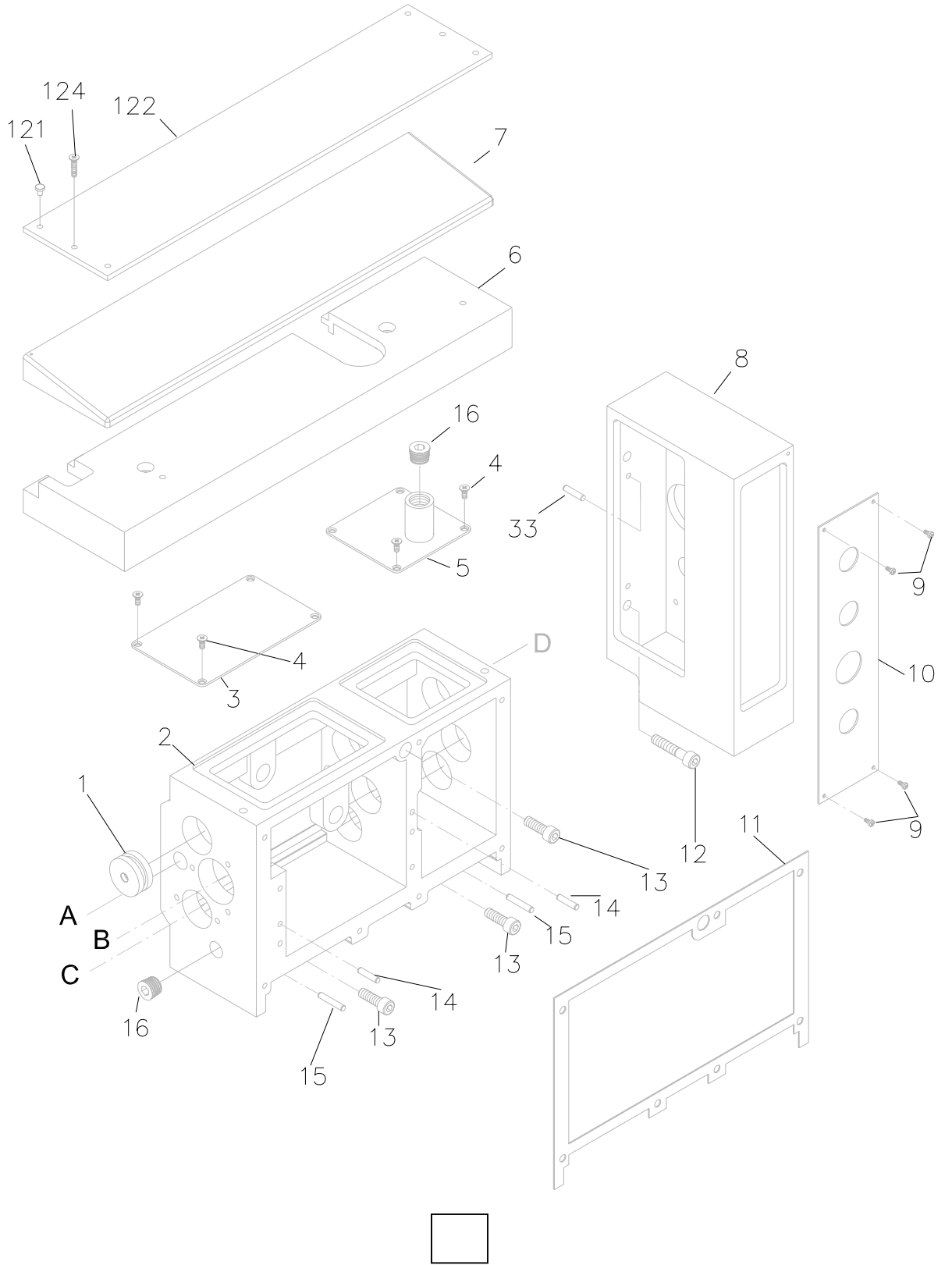


### Headstock Assembly III

Index No.	Part No.	Description	Size	Quantity
56	TS-150303	Hex Socket Cap Screw	M6x12	18
74	GB894.2-25	Retainer Ring	25	6
82	GB/T276-6204	Ball Bearing	6204/p5	5
89	04-53	Bearing Cap		2
90	04-52	Bearing Cap Gasket		2
95	GB894.2-40	Retainer Ring	40	2
96	GB/T276-6005	Ball Bearing	6005/p5	4
102	GH1440W-04-16	Washer		1
110	TS-1503041	Hex Socket Cap Screw	M6x16	3
111	GH1440W-04-29	Cover		1
112	04-60	Gasket		1
113	TS-1502031	Hex Socket Cap Screw	M5x12	2
114	GH1440W-04-31	Nut		1
115	GB/T297-32011	Tapered Roller Bearing	32011/p5	1
116	GH1440W-04-30	Gear	38T	1
117	GH1440W-04-27	Lock Collar		1
118	GH1440W-04-21	Gear	59T	1
119	TS-1504061	Hex Socket Cap Screw	M8x30	1
120	GH1440W-04-23	Gear	87T	1
121	GH1440W-04-25	Collar		1
122	GB/T297-30212	Tapered Roller Bearing	30212/p5	1
123	GH1440W-04-32	Gasket		1
124	GH1440W-04-28	Cover		1
125	TS-1503051	Hex Socket Cap Screw	M6x20	3
126	GB1096-6x30	Key	6x30	1
127	GB1096-10x55	Key	10x55	1
128	TS-1504031	Hex Socket Cap Screw	M8x16	3
129	04-31/1	Spring		3
130	04-86	Cam lock Set Pin		3
131	04-85	Camlock		3
132	GH1440W-04-22	Spindle		1
133	GB894.2-20	Retainer Ring	20	4
134	04-36	Spacer		2
135	04-35	Gear	32T	1
136	GB894.2-37	Retainer Ring	37	1
137	04-54	Gear	32T	1
138	GB1096-5x16	Key	5x16	1
139	04-55	Gear	21T	1
140	TS-1523041	Set Screw	M6x12	1
141	04-37	Shaft		1
142	GB3452.9-25x2.65	O-Ring	25x2.65	3

143.....	04-47/1.....	Key .....	6x90.....	1
144.....	04-46.....	Gear .....	42T .....	1
145.....	04-45.....	Collar .....		1
146.....	04-44.....	Gear .....	32T .....	1
147.....	04-39.....	Collar .....		1
148.....	04-41.....	Gear.....	32T .....	1
149.....	GB/T276-6004 .....	Ball Bearing .....	6004/p5 .....	2
150.....	GH1440W-04-33.....	Plug .....		1
151.....	04-47.....	Shaft (D) .....		1
152.....	04-43.....	Gear.....	38T .....	1
153.....	04-42.....	Spline Shaft(E).....		1
154.....	04-48.....	Housing Gasket.....		1
155.....	04-49.....	Housing .....		1
156.....	GB9877.1-SD25x40x7.....	Spacer .....	SD25x40x7 .....	1
158.....	GH1440W-04-65.....	Collar .....		1
160.....	GH1440W-04-66.....	Balance Space.....		1
161.....	GH1440W-04-67.....	Balance Block.....		1
162.....	TS-1523041 .....	Set Screw .....	M6x12.....	1
163.....	TS-1524031 .....	Set Screw .....	M6x12.....	1

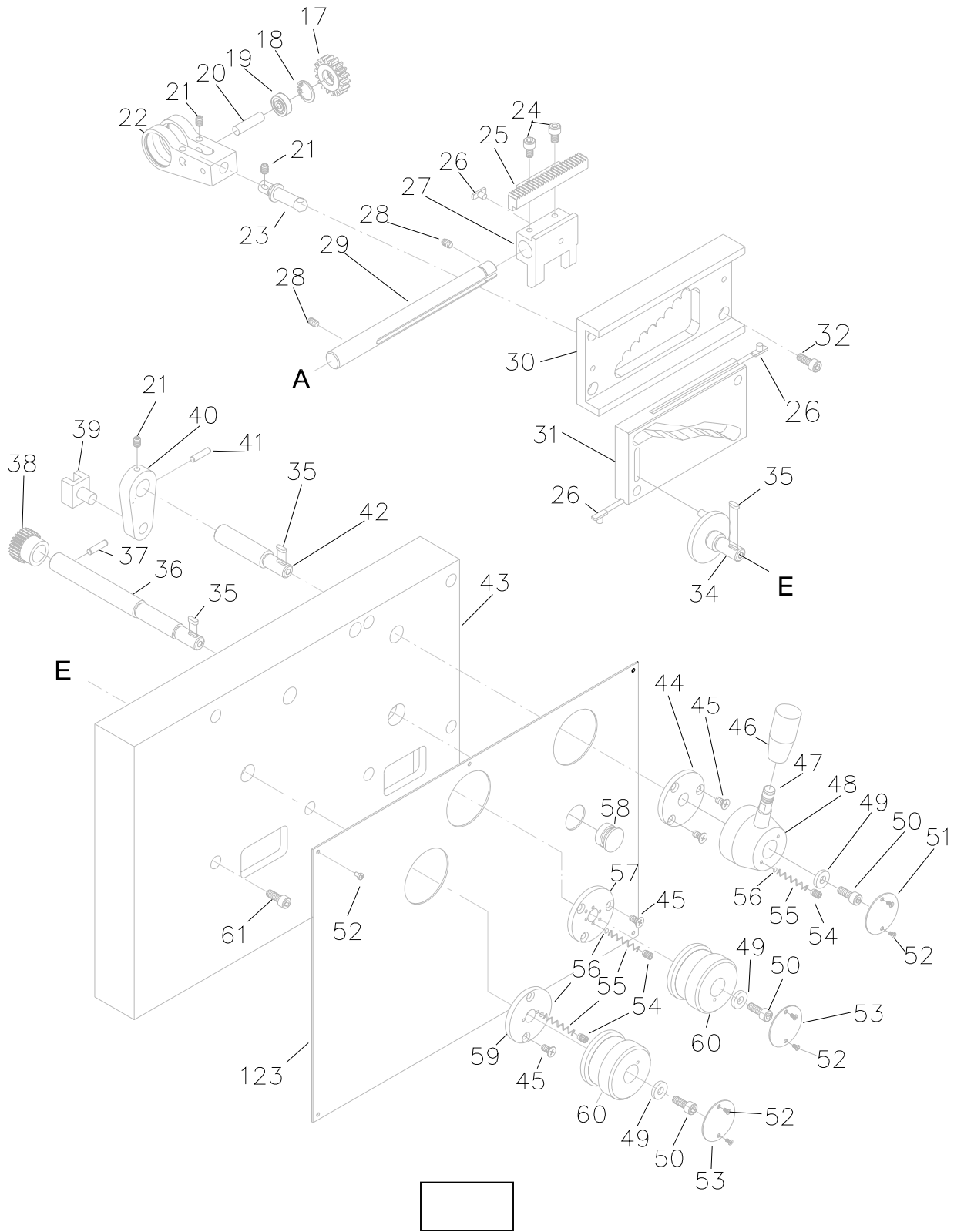
# Gearbox Assembly I



## Gearbox Assembly I

Index No.	Part No.	Description	Size	Quantity
1	05-73	Plug		1
2	GH1440W-05-06	Gearbox Casting		1
3	05-07	Front Cover		1
4	TS-1532032	Flat Head Machine Screw	M4x10	8
5	GH1440W-05-26	Oil Cover(14" )		1
	GH1340W-05-26	Oil Cover(13" )		1
6	GH1440W-05-07/1	Cover(14" )		1
	GH1340W-05-07/1	Cover(13" )		1
7	GH1440W-05-08	Top Cover		1
8	GH1440W-05-09	Bracket		1
9	TS-1531012	Pan Head Machine Screw	M3x6	4
<b>10</b>	<b>GH1440W-05-11E</b>	<b>Electrical Plate</b>		<b>1</b>
11	05-61	Gearbox Gasket		1
12	TS-1504081	Hex Socket Cap Screw	M8x40	2
13	TS-1504051	Hex Socket Cap Screw	M8x25	3
14	GH1440W-14	Pin	5x20	2
15	GH1440W-15N	Pin (for serial#009W038W and lower)	5x28	2
	GH1440W-15	Taper Pin(for serial#011W039W and higher)	5x35	2
16	05-75	Plug		2
33	GB118-A8x30	Pin	A8x30	2
121	GB867-2x4	Rivet	2x4	4
<b>122</b>	<b>GH1440S-05-12/1</b>	<b>Speed Chart</b>		<b>1</b>
<b>124</b>	<b>TS-1531012</b>	<b>Pan Head Machine Screw</b>	<b>M3x25</b>	<b>2</b>

# Gearbox Assembly II



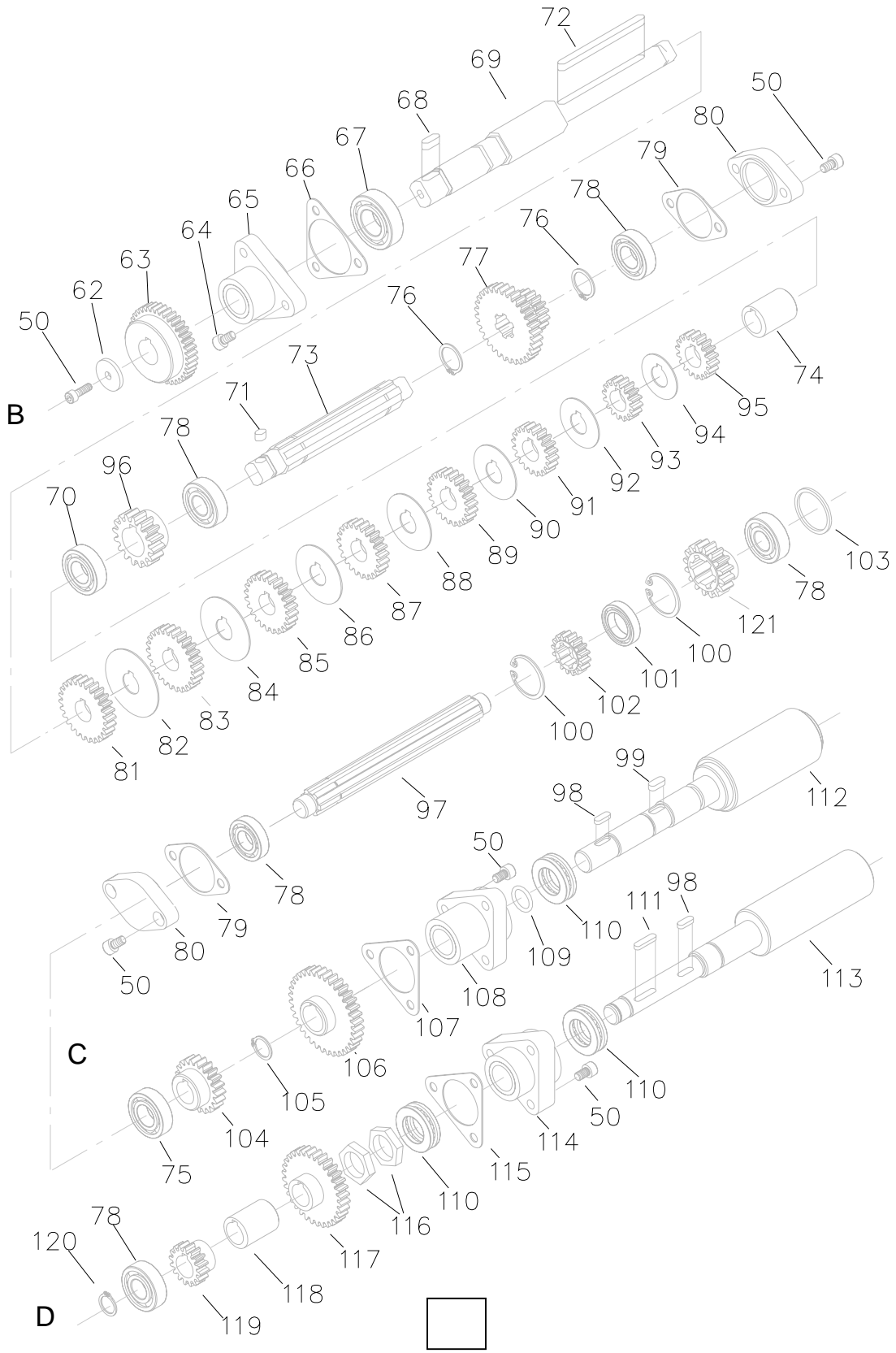
## Gearbox Assembly II

Index No.	Part No.	Description	Size	Quantity
17	05-50	Gear	18T	1
18	GH893.1-19	Retainer Ring	19	1
19	GB/T276-6198	Bearing	6198/p5	1
20	05-51	Shaft		1
21	TS-1523021	Set Screw	M6x8	4
22	05-03	Shifter		1
23	05-02	Shaft		1
24	TS-1503051	Hex Socket Cap Screw	M6x20	2
25	05-13	Rack		1
26	05-01	Shift Key		3
27	05-12	Shift Fork		1
28	TS-1523021	Set Screw	M6x8	2
29	05-15	Shaft		1
30	05-05	Locating Plate		1
31	05-04	Control Plate		1
32	TS-1503031	Hex Socket Cap Screw	M6x12	4
33	GB118-A8x30	Pin	A8x30	2
34	05-60	Shift Hub		1
35	GB1096-4x10	Key	4x10	3
36	GH1440W-05-02	Shaft		1
37	GB879-5x20	Pin	5x20	1
38	05-14	Gear	26T	1
39	05-55	Shift Fork		1
40	05-56	Shift Lever		1
41	GB879-5x20	Pin	5x20	1
42	GH1440W-05-03	Shaft		1
43	GH1440W-05-01	Cover		1
44	05-58	Locating Disk		1
45	GB819-M5x10	Flat Head Machine Screw	M5x10	8
46	GB4141.14-BM10X50	Knob		1
47	GH1440W-05-15	Handle Shaft		1
48	GH14440W-05-14	Shift Hub		1
49	05-08	Washer		3
50	TS-1503041	Hex Socket Cap Screw	M6x16	14
51	04-90	Indicator Disk		1
52	TS-1531012	Pan Head Machine Screw	M3x6	6
53	05-70	Indicator Disk		2
54	TS-1524011	Set Screw	M8x8	4
55	05-72	Spring		4
56	GB308-SB6.5	Steel Ball	6.5	4

57.....	05-10.....	Locating Disk.....	1
58.....	GH1440W-05-27.....	Oil Sight.....	1
59.....	05-59.....	Locating Disk.....	1
60.....	GH1440W-05-13.....	Shift Hub.....	2
61.....	TS-150308.....	Hex Socket Cap Screw .....M6x35.....	7
<b>123.....</b>	<b>GH1440W-05-10-3E.....</b>	<b>Name plate (3 Phase) .....</b>	<b>1</b>



# Gearbox Assembly III

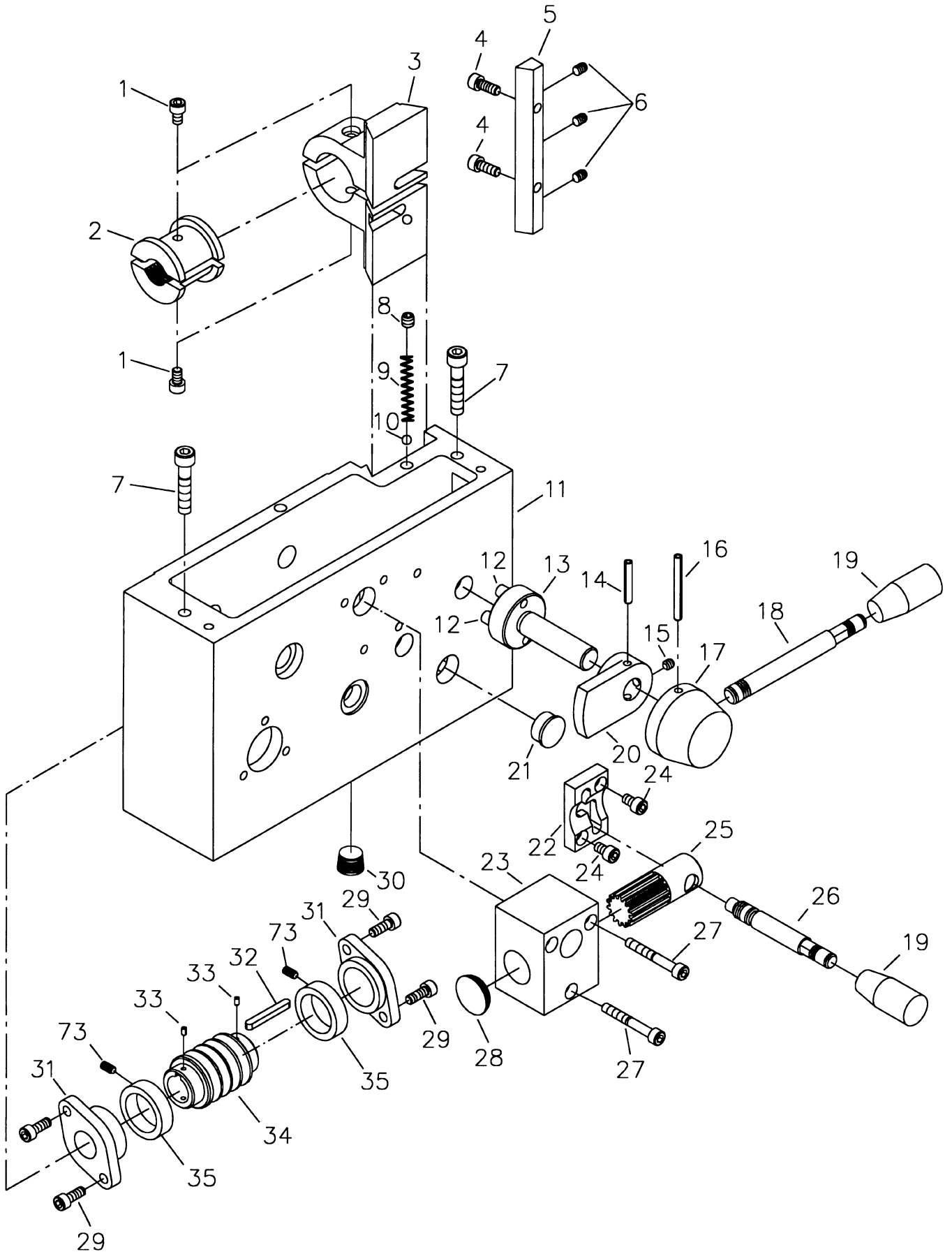


### Gearbox Assembly III

Index No.	Part No.	Description	Size	Quantity
50	TS-1503041	Hex Socket Cap Screw	M6x16	14
62	05-42	Washer		1
<b>63</b>	<b>15-03/1E</b>	<b>Gear</b>	<b>60T</b>	<b>1</b>
64	TS-1503051	Hex Socket Cap Screw	M6x20	3
65	05-39	Flange		1
66	05-38	Gasket		1
67	GB/T276-6004	Ball Bearing	6004/P5	1
68	GB1096-5x14	Key	5x14	1
<b>69</b>	<b>GH1340A-05-40/1E</b>	<b>Shaft</b>		<b>1</b>
70	GB/T276-6002	Ball Bearing	6002/p5	1
<b>71</b>	<b>GB1096-5x8</b>	<b>Key</b>	<b>5x8</b>	<b>1</b>
72	GB1096-5x75	Key	5x75	1
<b>73</b>	<b>GH1340A-05-27/1</b>	<b>Shaft</b>		<b>1</b>
74	05-67	Shaft Collar		1
75	GB/T276-6003	Ball Bearing	6003/p5	2
76	GB894.1-20	Retainer Ring	20	3
77	05-21	Gear	16T/32T	1
78	GB/T276-6202	Ball Bearing	6202/p5	4
79	05-48	Gasket		2
80	05-47	Flange		2
81	05-35	Gear	28T	1
82	GH1440W-05-19	Washer		1
83	05-34	Gear	26T	1
84	GH1440W-05-20	Washer		1
85	05-33	Gear	24T	1
86	GH1440W-05-21	Washer		1
87	05-32	Gear	23T	1
88	GH1440W-05-22	Washer		1
89	05-31	Gear	22T	1
90	GH1440S-05-23	Washer		1
91	05-30	Gear	20T	1
92	GH1440W-05-24	Washer		1
93	05-29	Gear	18T	1
94	GH1440W-05-25	Washer		1
95	05-28	Gear	16T	1
<b>96</b>	<b>GH1340A-05-36/1E</b>	<b>Gear</b>	<b>26T</b>	<b>1</b>
<b>97</b>	<b>GH1340A-05-52/1E</b>	<b>Spline Shaft</b>		<b>1</b>
98	GB1096-5x14	Key	5x14	2
99	GB1096-6x14	Key	6x14	1
100	GB893.1-32	Retainer Ring	32	2

101	..... GB/T276-61804 .....	Bearing .....	61804/p5 .....	2
102	..... 05-49 .....	Gear .....	16T .....	1
103	..... GH1340A-05-66 .....	Washer .....		1
104	..... 05-25 .....	Gear .....	21T .....	1
105	..... GB896-15 .....	Retainer Ring .....	15 .....	1
106	..... 05-19 .....	Gear .....	36T .....	1
107	..... 05-53 .....	Gasket .....		1
108	..... 05-17 .....	Flange .....		1
109	..... GB3452.1-15x2.65 .....	O-Ring .....	15x2.65 .....	1
110	..... GB301-8104 .....	Ball Bearing .....	8104 .....	3
111	..... GB1096-5x20 .....	Key .....	5x20 .....	1
112	..... GH1440W-05-04 .....	Shaft .....		1
<b>113</b>	<b>..... GH1440E-05-01E .....</b>	<b>Shaft .....</b>		<b>1</b>
114	..... 05-18 .....	Flange .....		1
115	..... 05-53 .....	Gasket .....		1
116	..... 05-20 .....	Nut .....		2
117	..... 05-22 .....	Gear .....	32T .....	1
118	..... 05-24 .....	Collar .....		1
119	..... 05-26 .....	Gear .....	16T .....	1
120	..... GB894.1-15 .....	Retainer Ring .....		1
<b>121</b>	<b>..... GH1340A-05-37/1E .....</b>	<b>Gear .....</b>	<b>16T .....</b>	<b>1</b>

# Apron Assembly I

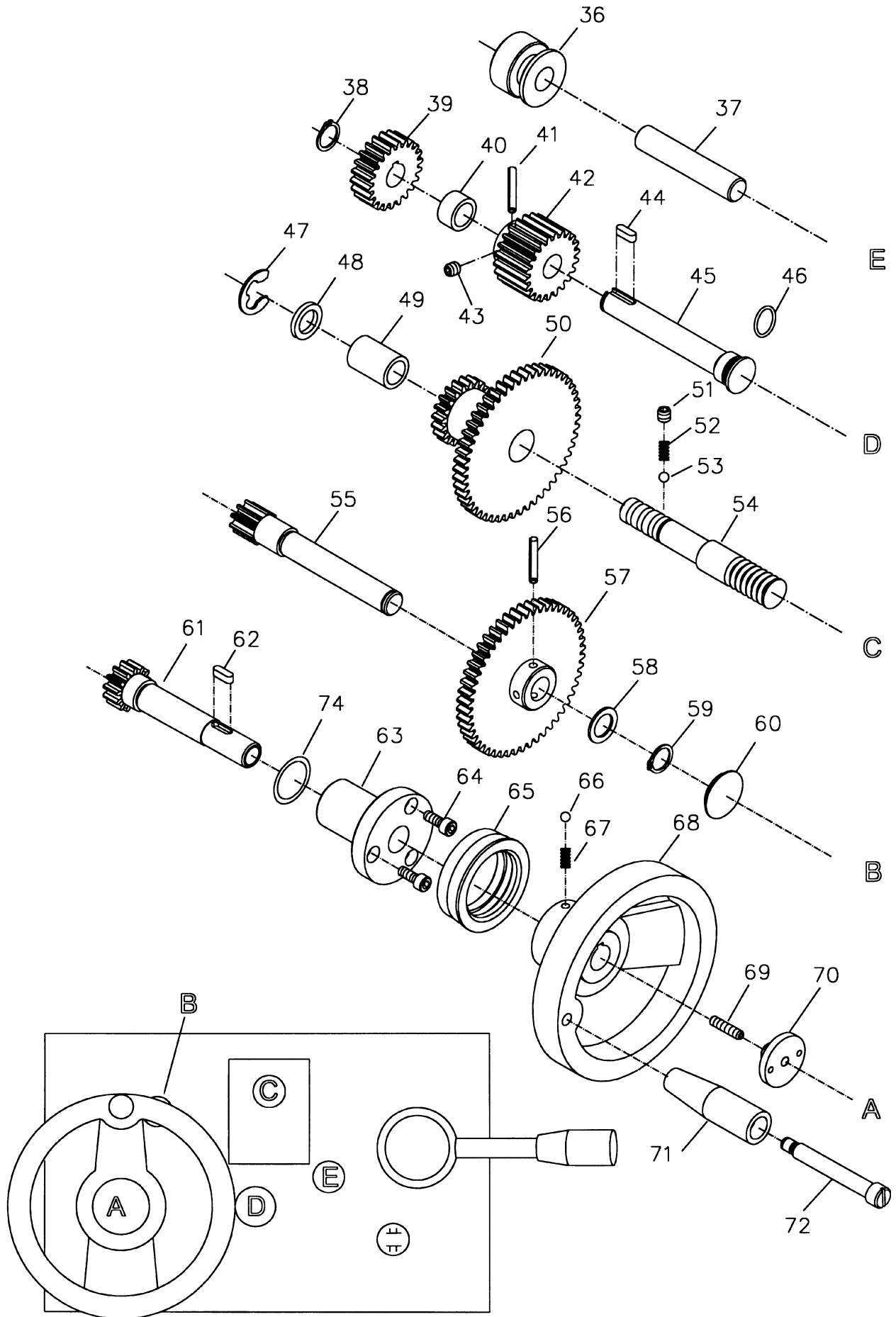


## Apron Assembly I

Index No.	Part No.	Description	Size	Quantity
1	TS-1503021	Hex Socket Cap Screw	M6x10	2
<b>2</b>	<b>06-37/1E</b>	<b>Half Nut</b>	<b>Metric</b>	<b>1</b>
3	06-36	Bracket		1
4	TS-1503041	Hex Socket Cap Screw	M6x16	2
5	06-33	Gib		1
6	TS-1523031	Set Screw	M6x10	3
7	TS-1504081	Hex Socket Cap Screw	M8x40	2
8	TS-1524011	Set Screw	M8x8	1
9	06-39	Spring		1
10	GB308-SB6	Steel Ball	6	1
11	06-01	Casting		1
12	06-42-1	Pin		2
13	06-42	Half Nut Cam		1
14	GB879-5x35	Pin	5x35	1
15	TS-152301	Set Screw	M6x6	1
16	GB879-5x50	Pin	5x50	1
17	GH1440W-06-09	Hub		1
18	GH1440W-06-04	Handle Shaft		1
19	GB4141.14-BM10x50	Knob		2
20	06-40	Safety Catch		1
21	GB1160-12	Sight Glass	12	1
22	06-04	Bracket		1
23	06-16	Block		1
24	TS-1503031	Hex Socket Cap Screw	M6x12	2
25	GH1440W-06-07	Spline Shaft		1
26	GH1440W-06-08	Handle Shaft		1
27	TS-1503101	Hex Socket Cap Screw	M6x45	3
28	06-02	Plug		1
29	TS-1503041	Hex Socket Cap Screw	M6x16	4
30	06-35	Drain Plug		1
31	06-34	Flange		2
32	GB1096-5x56	Key	5x56	1
33	GB879-3x5	Pin	3x5	2
34	06-27	Worm		1
35	06-50	Collar		2
73	TS-1522031	Set Screw	M5x10	2
75	GH1440W-06-01	Apron Label		1
76	TS-1531012	Pan Head Screw	M3x6	8
77	GH1440W-06-03	Thread dial Label		1

.....	GHW-AP-CA.....	Apron Assembly Complete .....	
79.....	GB77- M6x45.....	Screw.....	M6x45.....1
80.....	GB6170-M6 .....	Nut.....	M6 .....

# Apron Assembly II

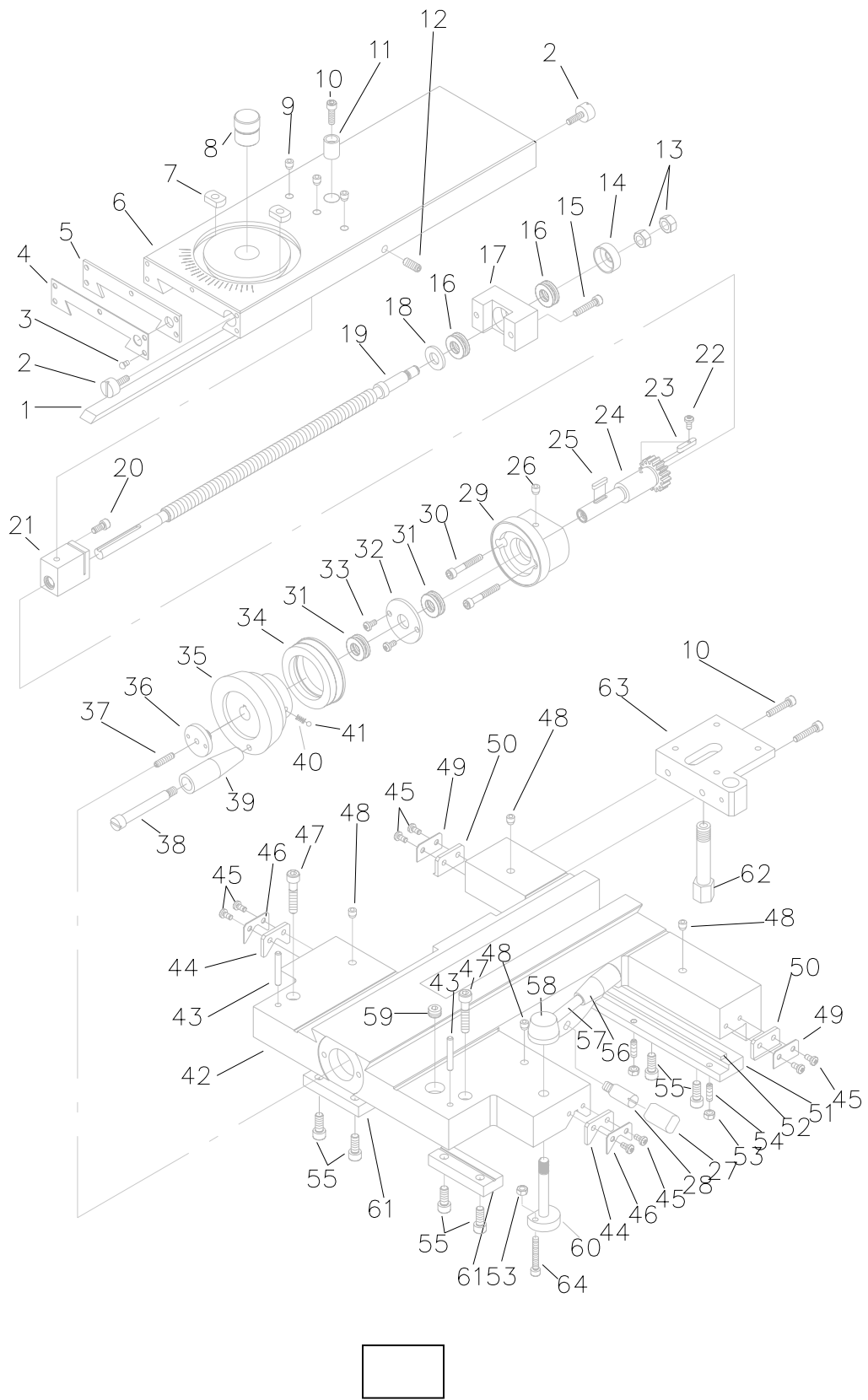


## Apron Assembly II

Index No.	Part No.	Description	Size	Quantity
36.....	06-44.....	Bushing.....		1
37.....	06-43.....	Shaft.....		1
38.....	GB894.1-16.....	Retainer Ring.....	16.....	1
39.....	06-28.....	Gear.....	22T.....	1
40.....	06-26.....	Collar.....		1
41.....	GB879-5x35.....	Pin.....	5x35.....	1
42.....	06-20.....	Gear.....	22T.....	1
43.....	TS-1523011.....	Set Screw.....	M6x6.....	1
44.....	GB1096-5x15.....	Key.....	5x15.....	1
45.....	06-19.....	Shaft.....		1
46.....	GB3452.1-17x1.8.....	O-Ring.....	17x1.8.....	1
47.....	GB896-12.....	Retainer Ring.....	12.....	1
48.....	06-10.....	Bushing.....		1
49.....	06-15-1.....	Collar.....		1
50.....	06-15.....	Cluster Gear.....	50T/20T.....	1
51.....	TS-1524011.....	Set Screw.....	M8x8.....	1
52.....	06-14.....	Spring.....		1
53.....	GB308-SB6.....	Steel Ball.....	6.....	1
54.....	06-13.....	Shaft.....		1
55.....	06-06.....	Shaft.....		1
56.....	GB879-5x30.....	Pin.....	5x30.....	1
57.....	06-08.....	Gear.....	50T.....	1
58.....	06-10.....	Bushing.....		1
59.....	GB894.1-16.....	Retainer Ring.....	16.....	1
60.....	06-11.....	Plug.....		1
61.....	06-07.....	Shaft.....		1
<b>62.....</b>	<b>GB1096-4x15.....</b>	<b>Key.....</b>	<b>4x15.....</b>	<b>1</b>
<b>63.....</b>	<b>GH1440W-06-03E.....</b>	<b>Wheel Flange.....</b>		<b>1</b>
64.....	TS-1503041.....	Hex Socket Cap Screw.....	M6x16.....	3
<b>65.....</b>	<b>GH1440W-06-01E.....</b>	<b>Indicator Ring.....</b>		<b>1</b>
66.....	GB308- SB6.....	Steel Ball.....	6.....	2
67.....	06-32.....	Spring.....		2
68.....	GH1440W-06-06.....	Wheel.....		1
69.....	TS-1523071.....	Set Screw.....	M6x25.....	1
70.....	06-30.....	Wheel Stud.....		1
71.....	GH1440W-06-11.....	Handle Sleeve.....		1
72.....	GH1440W-06-10.....	Handle Lever.....		1
73.....	TS-1522031.....	Set Screw.....	M5x10.....	2
74.....	GB3452.1-25.8x3.55.....	O-Ring.....	25.8x3.55.....	1



# Saddle and Cross Slide Assembly

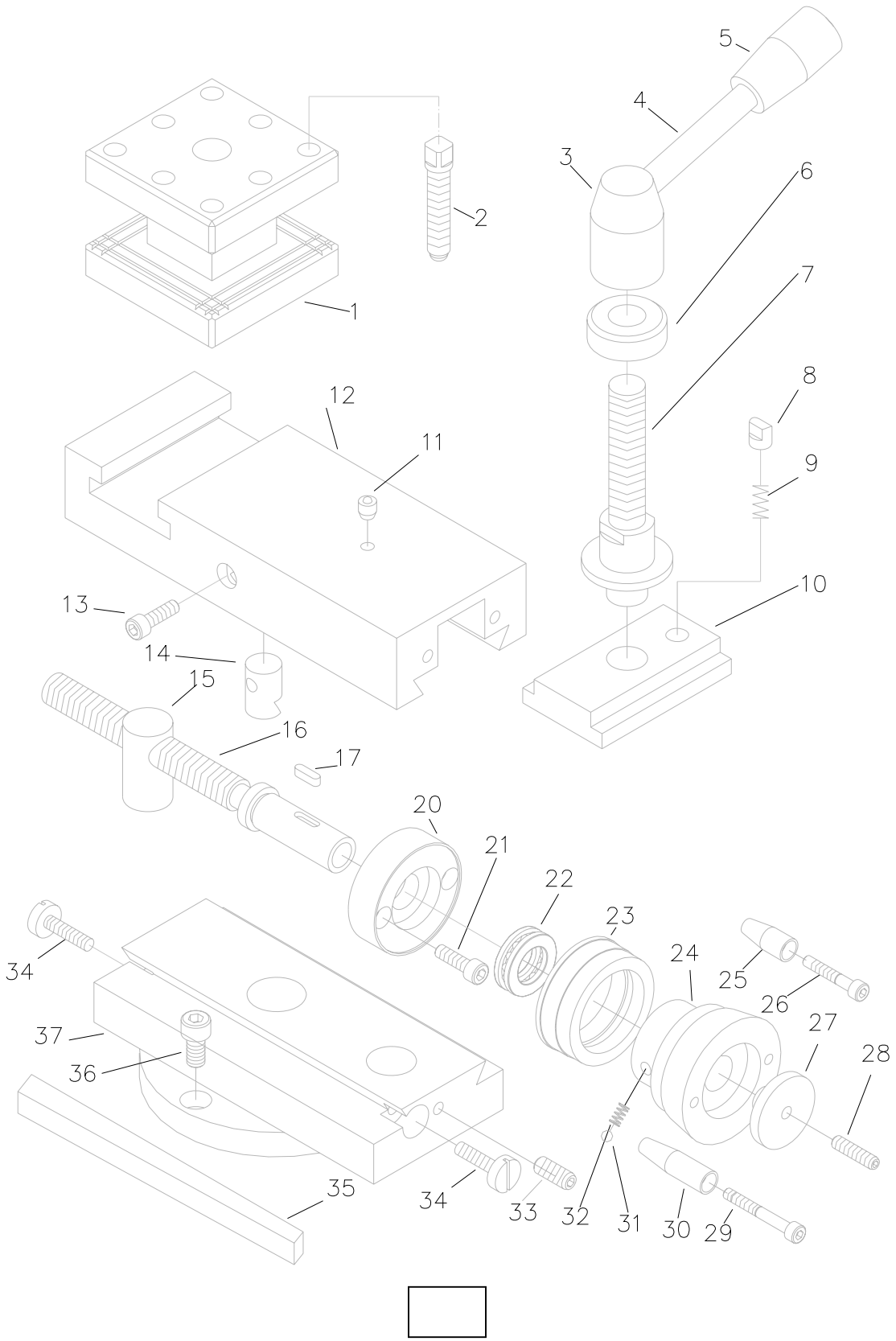


## Saddle and Cross Slide Assembly

Index No.	Part No.	Description	Size	Quantity
1	GH1440W-07-04	Gib		1
2	07-28	Gib Adjusting Screw		2
3	GB818-M5x10	Pan Head Machine Screw	M5x10	5
4	GH1440W-07-12	Plate		1
5	GH1440W-07-11	Plate Wiper		1
6	GH1440W-07-02	Cross Slide Body		1
7	07-07	Clamp Nut		2
8	07-08	Hub		1
9	GB1155-8	Oiler	8	3
10	TS-1503051	Hex Socket Cap Screw	M6x20	1
11	07-05	Sleeve		1
12	TS-1524011	Set Screw	M8x8	1
13	GB6172- M10	Hex Nut	M10	2
14	07-02	Bearing Cap		1
15	TS-1503071	Hex Socket Cap Screw	M6x30	2
16	GB301-8101	Thrust Bearing	8101	2
17	07-03	Block		1
18	07-25	Spacer		1
<b>19</b>	<b>GH1440W-07-02E</b>	<b>Leadscrew</b>		<b>1</b>
20	TS-1503031	Hex Socket Cap Screw	M6x12	1
<b>21</b>	<b>GH1440W-07-03E</b>	<b>Crossfeed Nut</b>		<b>1</b>
22	GB819-M3x5	Pan head Machine Screw	M3x5	1
23	07-21	Key	5X25	1
24	GH1440W-07-14	Gear Shaft		1
25	GB1096-4x20	Key	4x20	2
26	GB1155-6	Oiler	6	1
<b>27</b>	<b>GH-1440W-07-11E</b>	<b>Shaft</b>		<b>1</b>
<b>28</b>	<b>GH-1440W-07-10E</b>	<b>Rubber Cover</b>		<b>1</b>
<b>29</b>	<b>GH1440W-07-08E</b>	<b>Housing</b>		<b>1</b>
30	TS-1503091	Hex Socket Cap Screw	M6x40	2
31	GB301-8102	Thrust Bearing	8102	2
32	07-18	Washer		1
33	TS-2285102	Pan head Machine Screw	M5x10	2
<b>34</b>	<b>GH-1440W-07-04E</b>	<b>Index Ring</b>		<b>1</b>
35	GH1440W-07-18	Compound Handle		1
36	07-15	Cover Screw		1
37	TS-1523071	Set Screw	M6x25	1
38	GH1440W-07-17	Handle Lever		1
39	GH1440W-07-26	Handle Sleeve		1

40.....	GB2089-0.7x5x9.....	Spring .....	0.7x5x9.....	2
41.....	GB308-SB6.....	Steel Ball.....	6 .....	2
42.....	GH1440W-07-01.....	Saddle .....		1
43.....	GB117-6x40.....	Pin .....	6x40.....	2
44.....	GH1440W-07-03.....	Plate Wiper .....		2
45.....	TS-2285102.....	Pan Head Machine Screw.....	M5x10.....	8
46.....	GH1440W-07-07.....	Plate .....		2
47.....	TS-1515015.....	Hex Socket Cap Screw .....	M8x40.....	2
48.....	GB1155-79.....	Oiler .....		4
49.....	GH1440W-07-05.....	Plate .....		2
50.....	GH1440W-07-06.....	Plate Wiper .....		2
51.....	07-24.....	Rear Pressure Plate .....		1
52.....	07-23.....	Gib .....		1
53.....	GB6170-M6 .....	Lock Nut .....	M6 .....	4
54.....	TS-1523061 .....	Set Screw .....	M6x20.....	4
55.....	TS-1504041 .....	Hex Socket Cap Screw .....	M8x20.....	6
56.....	GB4141.14-M10x50 .....	Handle Knob.....	M10x50.....	1
57.....	GH1440W-07-27.....	Handle Shaft.....		1
58.....	GH1440W-07-25.....	Hub .....		1
59.....	05-75.....	Oil Cap.....		1
60.....	GH1440W-07-08.....	Lock Stud.....		1
61.....	GH1440W-07-09.....	Front Pressure Plate .....		2
62.....	14-04.....	Connected Tube .....		1
63.....	14-03.....	Lamp Bracket .....		1
	..... GHW-CFLA.....	Cross Feed Lead Screw & Nut Assy (includes #19-21) .....		
	..... GH1440W-CFDA.....	Cross Feed Dial Assy (includes 22-26,29-41).....		
<b>64.....</b>	<b>TS-1504041 .....</b>	<b>Hex Socket Cap Screw.....</b>	<b>M6x35 .....</b>	<b>1</b>

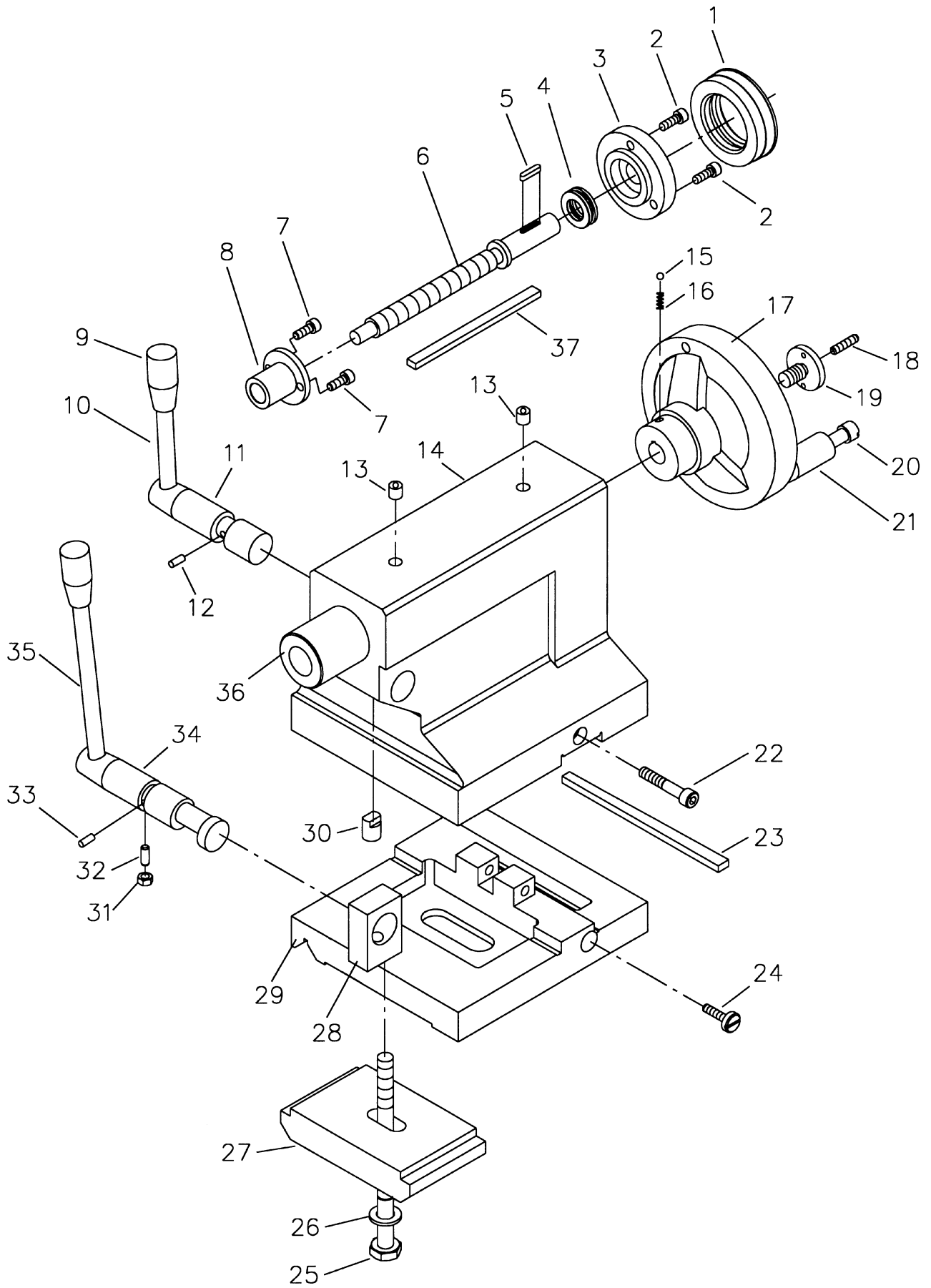
# Top Slide and Tool Post



## Top Slide and Tool Post

Index No.	Part No.	Description	Size	Quantity
1	07-32	Tool Post		1
2	GB83-10x50	Tool lock Screw	10x50	8
3	GH1440W-07-20	Handle Hub		1
4	GH1440W-07-21	Handle Shaft		1
5	GB4141.14-BM10x50	Knob		1
6	GH1440W-07-19	Spacer		1
7	07-34	Tool Post Pin		1
8	07-29	Tool Post Position Pin		1
9	GB2089-1x8x11	Spring	1x8x11	1
10	07-37	Clamp Nut		1
11	GB1155-6	Oiler	6	1
12	07-49	Compound Slide		1
13	TS-1503051	Hex Socket Cap Screw	M6x20	1
14	07-09	Position Pin		1
15	<b>GH1440W-07-06E</b>	<b>Nut</b>		<b>1</b>
16	<b>GH1440W-07-05E</b>	<b>Compound Screw</b>		<b>1</b>
17	GB1096-4x14	Key	4x14	1
20	<b>GH1440W-07-22E</b>	<b>Screw Bushing</b>		<b>1</b>
21	TS-150305	Hex Socket Cap Screw	M6x20	2
22	GB301-84	Thrust Bearing	8103	1
23	<b>GH1440W-07-07E</b>	<b>Index Ring</b>		<b>1</b>
24	GH1440W-07-28	Handwheel		1
25	GH1440W-07-23	Handle		1
26	TS-1513051	Hex Socket Cap Screw	M5x25	1
27	07-15	Cover Screw		1
28	TS-1523071	Set Screw	M6x25	1
29	TS-1502091	Hex Socket Cap Screw	M5x40	1
30	GH1440W-07-24	Handle		1
31	GB308-SB6	Steel Ball	6	2
32	GB2089-0.7x5x5	Spring	0.7x5x5	2
33	TS-1523051	Set Screw	M6x16	1
34	07-28	Gib Adjusting Screw		
35	07-10	Gib		1
36	TS-1515011	Hex Socket Cap Screw	M8x16	2
37	GH1440W-07-15	Swivel Slide(14" )		1
	GHW-THA	Tool post Assy (includes#1&2)		1
	<b>GH1440W-CPAE</b>	<b>Compound Assy metric (includes#11-39 for 14" )</b>		<b>1</b>

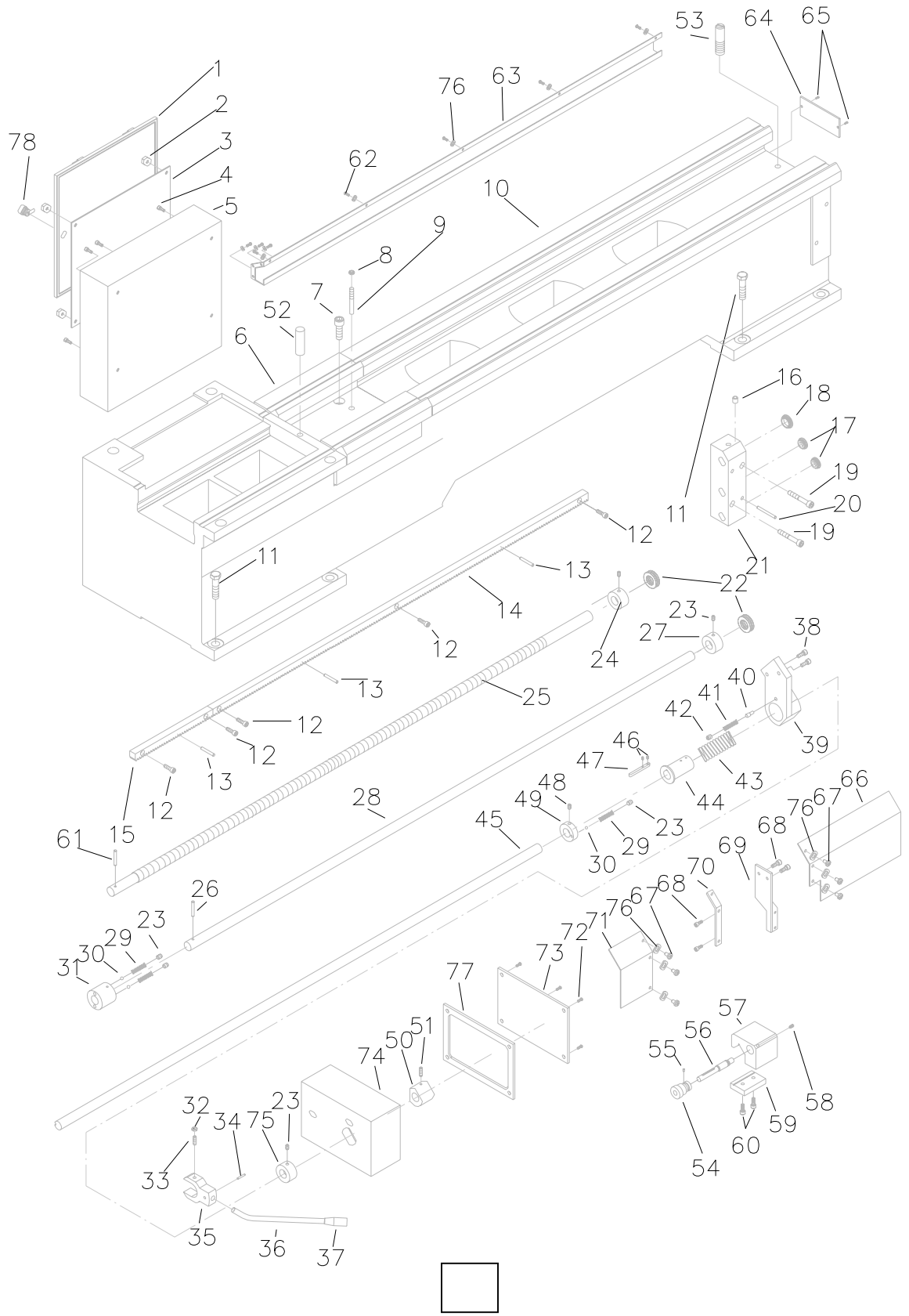
# Tailstock Assembly



## Tailstock Assembly

Index No.	Part No.	Description	Size	Quantity
1	<b>GH1440W-08-03E</b>	<b>Index Ring</b>		<b>1</b>
2	TS-1503051	Hex Socket cap Screw	M6x20	3
3	<b>GH1440W-08-04E</b>	<b>Hub</b>		<b>1</b>
4	GB301-8103	Thrust Bearing	8103	1
5	GB1096-4x20	Key	4x20	1
6	<b>GH1440W-08-01E</b>	<b>Screw</b>		<b>1</b>
7	TS-1503041	Hex Socket cap Screw	M6x16	2
8	<b>GH1440W-08-02E</b>	<b>Flange</b>		<b>1</b>
9	GB4141. 14-BM10x50	Knob		2
10	GH1440W-06-04	Lever Handle		1
11	GH1440W-08-06	Eccentric Shaft		1
12	GB879-5x12	Pin	5x12	1
13	GB1155-89	Oiler	10	2
14	GH1440W-08-01	Tailstock Body		1
15	GB308-SB6	Steel Ball	6	1
16	GB2089-0.7x5x12	Spring	0.7x5x12	1
17	GH1440W-08-09	Wheel		1
18	TS-1523071	Set Screw	M6x25	1
19	08-12	Cover Screw		1
20	GH1440W-06-10	Handle Lever		1
21	GH1440W-06-11	Handle Sleeve		1
22	GH1440W-T22	Hex Socket cap Screw	M8x70	2
23	GH1440W-08-03	Gib		1
24	01-18	Gib Adjusting Screw		2
25	TS-1492091	Hex Cap Bolt(for 14" )	M12x90	1
26	TS-1550081	Washer	12	1
27	GH1440W-08-04	Tailstock Clamp Plate		1
28	08-16	Block		1
29	GH1440W-08-02	Tailstock Base(for 14" )		1
30	08-02	Stop Pin		1
31	TS-1540041	Nut	M6	1
32	TS-1523051	Set Screw	M6x16	1
33	GB879-5x12	Pin	5x12	1
34	GH1440W-08-05	Eccentric Shaft		1
35	GH1440W-08-08	Lever Handle		1
36	08-04	Spindle		1
37	08-24	Key	3x6x55	1
38	GHW-TA39	Pan Head Screw		4
39	08-22	Indicator Label		1
40	08-23	Indicator Label		1
	GHW1440W-TA-CA	Tailstock Complete Assembly(for14" )		1

# Bed and Shaft Assembly



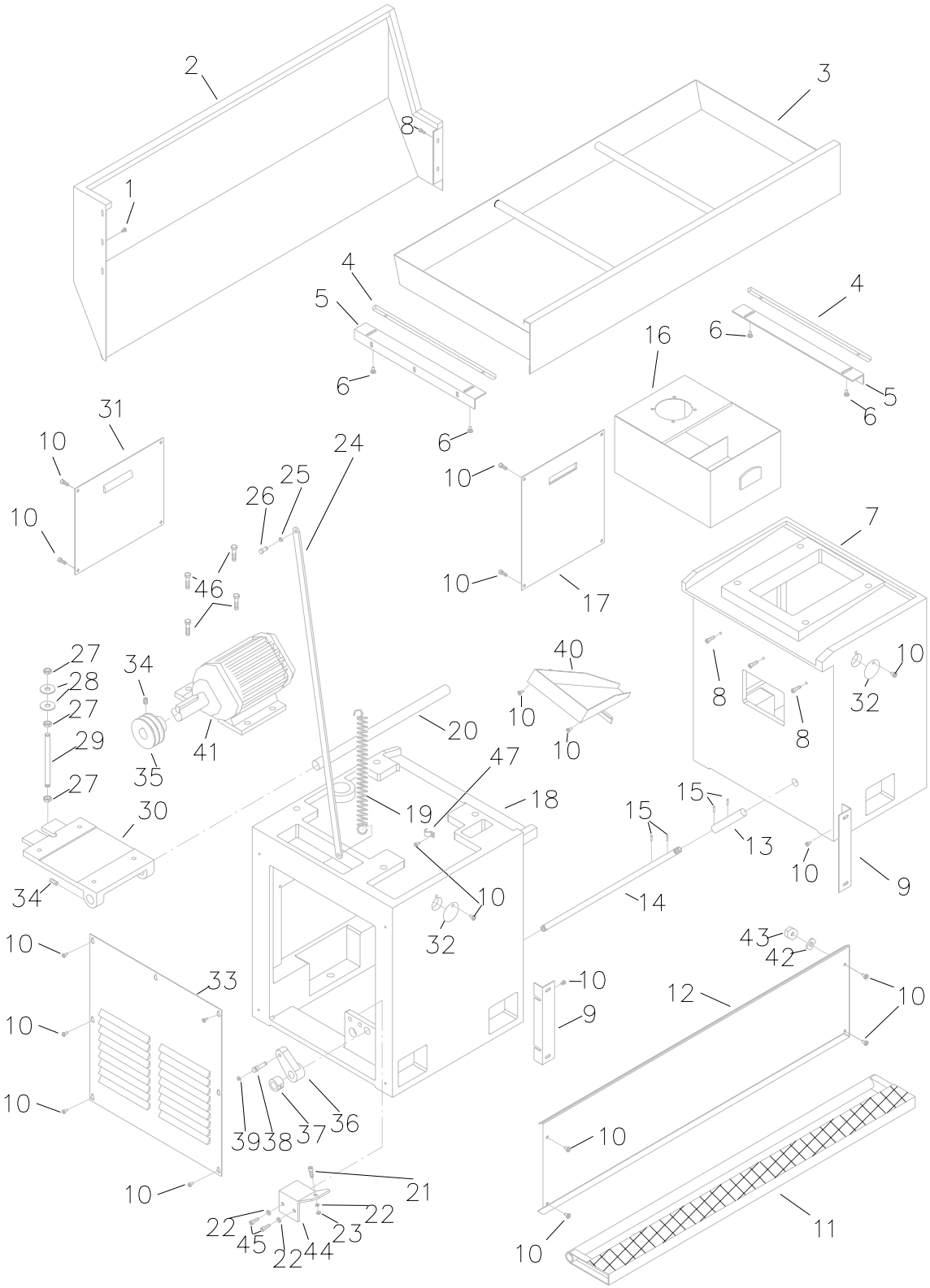


## Bed and Shaft Assembly

Index No.	Part No.	Description	Size	Quantity
1	<b>GH1440W-12-02E</b>	<b>Electrical Box Cover</b>		<b>1</b>
2	<b>TS-1540061</b>	<b>Hex Nut</b>	<b>M8</b>	<b>1</b>
3	<b>GH1440W-12-03E</b>	<b>Electrical Plate</b>		<b>4</b>
4	<b>TS-1503061</b>	<b>Hex Socket Cap Screw</b>	<b>M6x10</b>	<b>4</b>
5	<b>GH1440W-12-01E</b>	<b>Electrical Box</b>		<b>1</b>
6	GH1440W-01-02	Gap		1
7	TS-1506051	Hex Socket Cap Screw	M12x40	4
8	TS-1540061	Hex Nut	M8	2
9	GB881-8x60	Pin	8x60	2
10	GH1440W-01-01	Bed		1
11	GB5782- M16x50	Hex Cap Bolt	M16x50	8
12	TS-1503061	Hex Socket Cap Screw	M6x25	6
13	GB879-5x35	Pin	5x35	6
14	01-07	Rack (long)		2
15	01-06	Rack (short)		1
16	GB1155-10	Oiler	10	1
17	01-41	Plug		2
18	01-42	Plug		1
19	TS-150411	Hex Socket Cap Screw	M8x55	2
20	GB118-8x60	Pin	8x60	2
21	<b>GH-1440W-01-03E</b>	<b>End Bracket</b>		<b>1</b>
22	GB301-51104	Bearing	51104	2
23	TS-1503061	Socket Set Screw	M8x10	4
24	01-10	Collar		1
25	<b>GH-1440W-01-02E</b>	<b>Lead Screw</b>		<b>1</b>
26	GB879-5x35	Pin	5x35	1
27	01-16	Collar		1
28	01-15	Feed Shaft		1
29	01-38	Spring		2
30	GB308-SB6	Steel Ball	6	2
31	01-05	Clutch		1
32	TS-1540041	Hex Nut	M6	2
33	TS-1523061	Set Screw	M6x20	2
34	GB879-3x20	Pin	3x20	1
35	01-086/6	Control Fork		1
36	01-081/6	Control Handle		1
37	GB4141.14-BM10x50	Knob		1
38	TS-1503041	Hex Socket Cap Screw	M6x16	2
39	01-084/6	Control Bracket		1

40.....	01-082/6.....	Pin .....	1	
41.....	01-38.....	Spring .....	1.2x6x20.....1	
42.....	TS-1524011 .....	Set Screw .....	M8x8.....1	
43.....	GB2089-3x35x70.....	Spring .....	3x35x70.....1	
44.....	01-085/6.....	Sleeve.....	1	
45.....	GH1440W-01-21.....	Spindle Control Shaft.....	1	
46.....	TS-1520021 .....	Set Screw .....	M3x6.....2	
47.....	01-083/6.....	Key .....	5x56.....1	
48.....	TS-1523031 .....	Set Screw .....	M6x10.....1	
49.....	01-26.....	Collar .....	1	
50.....	GH1440W-01-22.....	Shift Collar .....	1	
51.....	TS-1523051 .....	Set Screw .....	M6x16.....1	
52.....	GB119-16x40.....	Pin .....	16x40.....1	
53.....	01-19.....	Pin .....	1	
<b>54.....</b>	<b>GH1440W-13-01E .....</b>	<b>Index Ring .....</b>	<b>1</b>	
55.....	GB879-3x5.....	Pin .....	3x5.....1	
56.....	13-02.....	Shaft .....	1	
57.....	GH1440W-13-01.....	Bracket .....	1	
58.....	GB79-M6x12.....	Set Screw .....	M6x12.....1	
59.....	13-04.....	Plate .....	1	
60.....	TS-1503041 .....	Hex Socket Cap Screw .....	M6x16.....1	
61.....	05-74.....	Shearing Pin 5x37 (Series below #5040063).....	1	
.....	05-74E .....	Shearing Pin 4x37 (Series #5040063 and over) .....	1	
<b>62.....</b>	<b>GB818-85 .....</b>	<b>Pan Head Machine Screw .....</b>	<b>M5x10 .....</b>	<b>7</b>
<b>63.....</b>	<b>GH1440W-10E-01 .....</b>	<b>Cover .....</b>	<b>1</b>	
<b>64.....</b>	<b>GHB-1340-01107 .....</b>	<b>Bed Plate .....</b>	<b>1</b>	
<b>65.....</b>	<b>GB818-85 .....</b>	<b>Pan Head Machine Screw .....</b>	<b>M3x6 .....</b>	<b>2</b>
<b>66.....</b>	<b>GH1440W-10D-13.....</b>	<b>Right Cover .....</b>	<b>1</b>	
<b>67.....</b>	<b>GB818-85 .....</b>	<b>Pan Head Machine Screw .....</b>	<b>M5x8 .....</b>	<b>6</b>
<b>68.....</b>	<b>GB870-85 .....</b>	<b>Hex Socket Cap Screw.....</b>	<b>M5x12 .....</b>	<b>2</b>
<b>69.....</b>	<b>GH1440W-10D-14.....</b>	<b>Right Fastness Iron.....</b>	<b>1</b>	
<b>70.....</b>	<b>GH1440W-10D-11 .....</b>	<b>Left Fastness Iron.....</b>	<b>1</b>	
<b>71.....</b>	<b>GH1440W-10D-12.....</b>	<b>Left Cover .....</b>	<b>1</b>	
<b>72.....</b>	<b>GB870-85 .....</b>	<b>Pan Head Machine Screw .....</b>	<b>M4x8 .....</b>	<b>4</b>
<b>73.....</b>	<b>GH1340A12-03 .....</b>	<b>Cover Plate.....</b>	<b>1</b>	
<b>74.....</b>	<b>GH1340A12-02 .....</b>	<b>Switch Box .....</b>	<b>1</b>	
<b>75.....</b>	<b>GH1340A01-03 .....</b>	<b>Collar .....</b>	<b>1</b>	
<b>76.....</b>	<b>GB96-12 .....</b>	<b>Washer.....</b>	<b>M5 .....</b>	<b>14</b>
<b>77.....</b>	<b>GH1440W-12-03/1.....</b>	<b>Gasket.....</b>	<b>1</b>	
<b>78.....</b>	<b>MS300 .....</b>	<b>Lock .....</b>	<b>1</b>	

# Stand and Brake Assembly

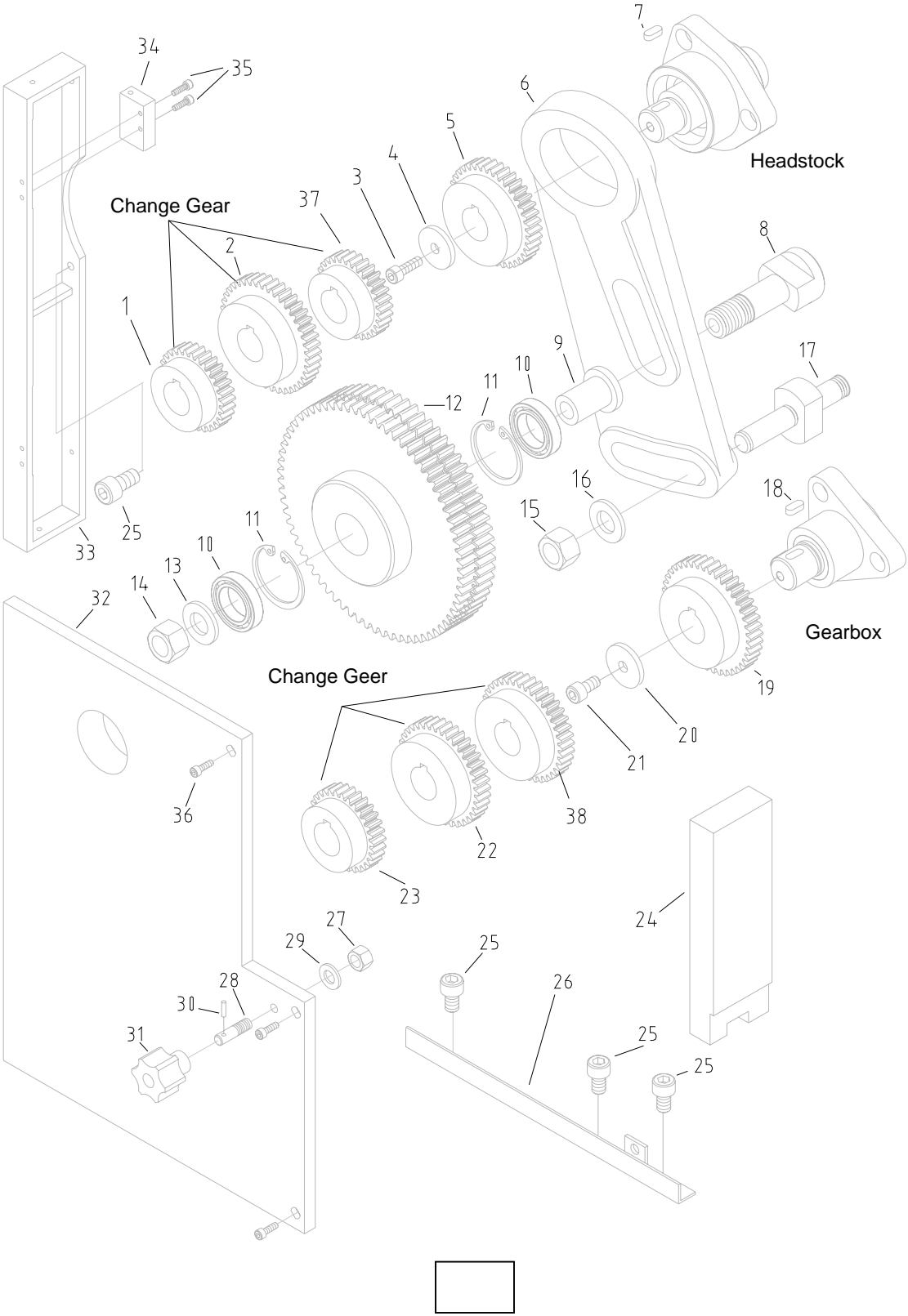


## Stand and Brake Assembly

Index No.	Part No.	Description	Size	Quantity
1	GB818- M6x10	Pan Head Machine Screw	M6x10	3
2	GH1440W-01-23	Splash Guard		1
3	GH1440W-01-05	Chip Tray		1
4	GH1440W-01-07	Guide		2
5	GH1440W-01-06	Bracket		2
6	GB818- M6x10	Pan Head Machine Screw	M6x10	4
7	GH1440W-01-04	Pedestal (right)		1
8	TS-1503021	Hex Socket Cap Screw	M6x10	8
9	GH1440W-01-08	Bracket		2
10	GB818-M6x10	Pan Head Machine	M6x10	30
11	GH1440W-01-12	Brake Pedal		1
12	GH1440W-01-09	Front Plate		1
13	11-01	Shaft		1
14	GH1440W-01-13	Shaft		1
15	GB879-5x15	Pin	5x15	4
<b>16</b>	<b>14-01E</b>	<b>Coolant Tank</b>		<b>1</b>
17	GH1440W-01-10	Cover		1
18	GH1440W-01-03	Pedestal (left)		1
19	11-04	Spring		1
20	GH1440W-01-14	Shaft		1
21	GB70-85	Hex Socket Cap Screw	M6x20	1
22	GB/T93	Nut		4
23	GB6170-86	Nut	M6	1
24	GH1440W-01-15	Connector Bar(for 14" )		1
	GH1440W-01-15	Connector Bar(for 13" )		1
25	GB896-86	Retaining Clip	6	1
26	11-12	Pin		1
27	GB6172- M12	Hex Nut	M12	3
28	GB96-12	Washer	12	2
29	01-23	Screw		1
30	GHW-Sb-30-1	Motor Mounting Bracket(for 1 phase motor)		1
	GHW-Sb-30-3	Motor Mounting Bracket(for 3 phase motor)		1
31	01-25	Cover		1
32	01-27	Cover		4
33	GH1440W-01-11	Cover		1
34	TS-1524011	Set Screw	M8x8	3
<b>35</b>	<b>GH1440S-01-20E</b>	<b>Pulley</b>		<b>1</b>
36	GH1440W-01-24	Link		1
37	11-07	Link Nut		1
38	11-05	Shaft Pin		1
39	GB896-86	Retaining Clip	6	1

40.....	01-12.....	Tray.....	1
<b>41.....</b>	<b>GH1440W-M1E .....</b>	<b>Main Motor (3 phase) .....</b>	<b>1</b>
42.....	TS-1550041 .....	Washer .....6 .....	4
43.....	TS-1350041 .....	Hex Nut.....M6 .....	4
44.....	GH-1340A-11-13.....	Comer Iron.....	1
45.....	GB70-85 .....	Hex Socket Cap Screw .....	2
46.....	GB/T821 .....	Hex Cap Bolt .....M10x25.....	4
<b>47.....</b>	<b>GHW-01-1E .....</b>	<b>Fastener.....</b>	<b>1</b>

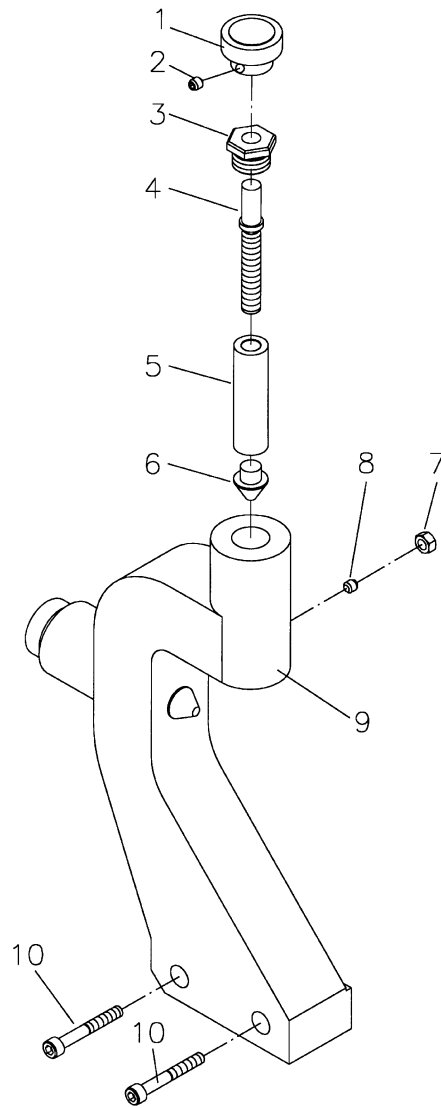
# End Gear Assembly



## End Gear Assembly

Index No.	Part No.	Description	Size	Quantity
<b>1</b>	<b>15-03E</b>	<b>Gear</b>	<b>32T</b>	<b>1</b>
2	15-04	Gear	40T	1
3	TS-1502041	Hex Socket Cap Screw	M5x16	1
4	05-41	washer		1
<b>5</b>	<b>15-02E</b>	<b>Gear</b>	<b>30T</b>	<b>1</b>
6	GH1440W-15-01	Quadrant		1
7	GB-1096-5x14	Key	5x14	1
8	05-43	Thread Shaft		1
9	05-45	Collar		1
10	BB6103	Bearing	6103	2
11	GB893.1-35	Retaining Ring	35	2
12	05-65	Gear	120/127	1
13	05-44	Washer		1
14	TS-1540071	Hex Nut	M10	1
15	TS-1540081	Hex Nut	M12	1
16	GB97.2-85	Washer		1
17	GH1440W-15-20	Stud		1
18	GB1096-5x14	Key	5x14	1
<b>19</b>	<b>15-03/1E</b>	<b>Gear</b>	<b>60T</b>	<b>1</b>
20	05-42	Washer		1
21	TS-1503041	Hex Socket Cap Screw	M6x16	1
<b>22</b>	<b>15-05/1E</b>	<b>Gear</b>	<b>66T</b>	<b>1</b>
<b>23</b>	<b>15-04/1E</b>	<b>Gear</b>	<b>65T</b>	<b>1</b>
<b>24</b>	<b>GH1440W-01-17A</b>	<b>Front Plate</b>		<b>1</b>
25	TS-1504041	Hex Socket Cap Screw	M8x16	7
26	GH1440W-01-19	Plate		1
<b>27</b>	<b>TS-1540071</b>	<b>Hex Nut</b>	<b>M10</b>	<b>1</b>
<b>28</b>	<b>GH1440W-01-04</b>	<b>Shaft</b>		<b>1</b>
29	GB96-12	Washer	12	1
30	GB879-4x24	Pin	4x24	1
31	GB4141.29A-85	Knob		1
<b>32</b>	<b>GH1440W-01-01E</b>	<b>Change Gear Cover(for 14" )</b>		<b>1</b>
33	GH1440W-01-18	Rear Plate(for 14" )		1
34	C6240-10004	Plate		2
35	TS-1513051	Hex Socket Cap Screw	M5x10	4
<b>36</b>	<b>TS-1502041</b>	<b>Hex Socket Cap Screw</b>	<b>M6x20</b>	<b>3</b>
<b>37</b>	<b>GH-1340A-04-50E</b>	<b>Gear</b>	<b>24T</b>	<b>1</b>
<b>38</b>	<b>05-41/1E</b>	<b>Gear</b>	<b>70T</b>	<b>1</b>

## Follow Rest

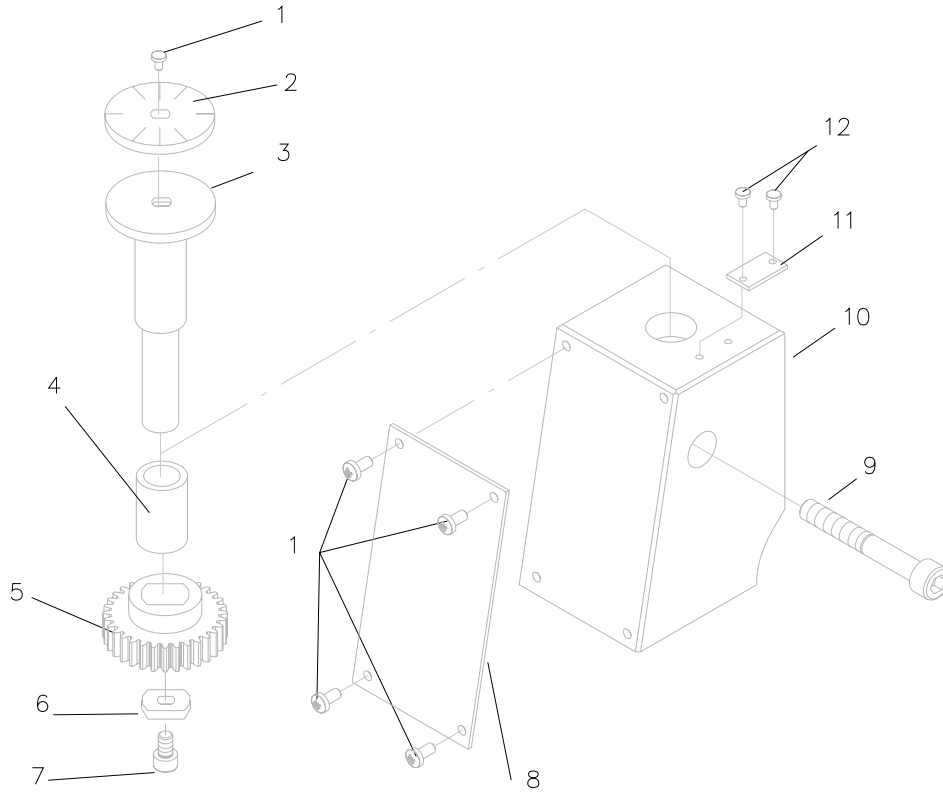


## Follow Rest

Index No.	Part No.	Description	Size	Quantity
1	GH1440W-09-02	Knob		2
2	TS-1523011	Set Screw	M6x6	2
3	10B-04	Bushing		2
4	10B-05	Screw		2
5	10B-02	Sleeve		2
6	10B-06	Brass Finger		2
7	TS-1540041	Hex Nut	M6	2
8	TS-1523011	Set Screw	M6x6	2
9	GH1440W-09-01	Body Casting		1
10	TS-1504121	Hex Socket Cap Screw	M8x60	2
	GH1440W-FR-CA	Follow Rest Complete Assembly(for 14" )		1



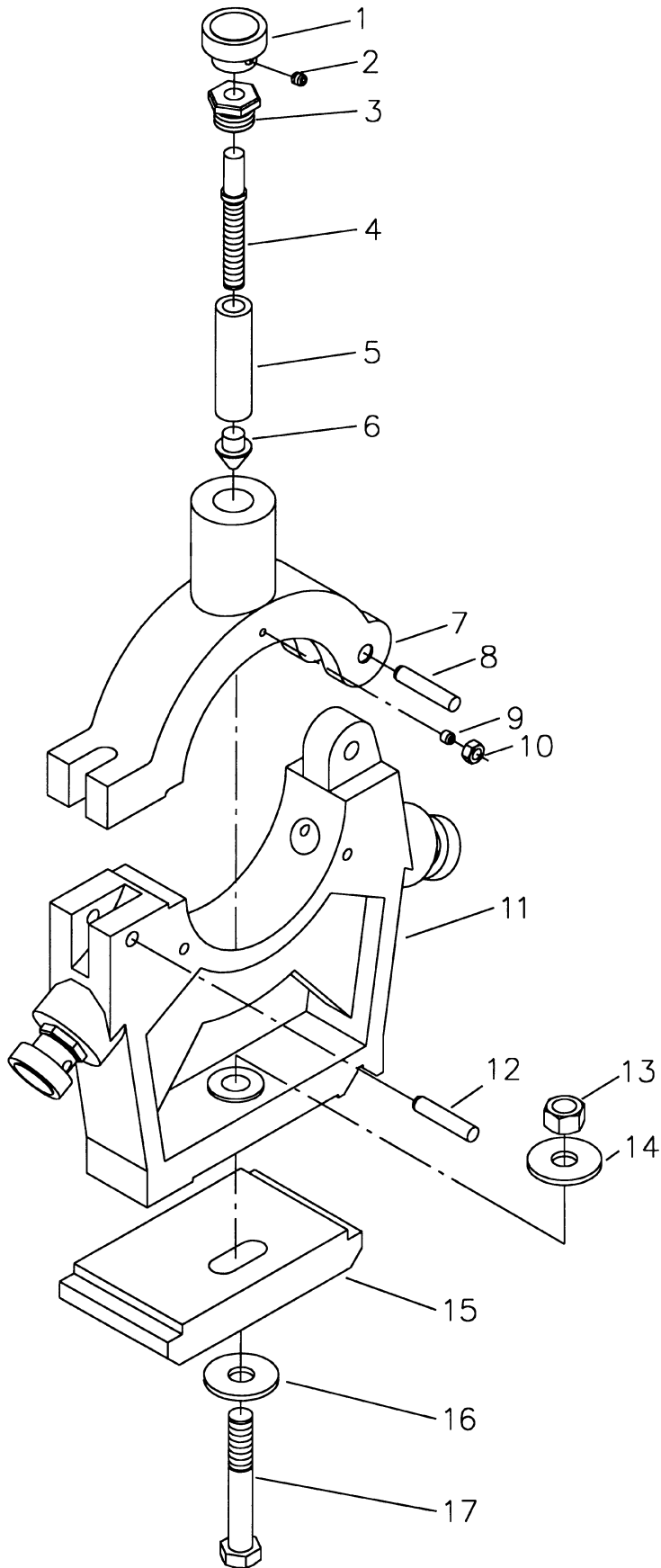
## Thread Dial Assembly



## Thread Dial Assembly

Index No.	Part No.	Description	Size	Quantity
1	GB818-85	Pan Head Machine Screw	M3x6	1
2	GH1440W-06-04E	Dial		1
3	GH1340A-06-21/3	Dial Body		1
4	GH1440W-06-05	Collar		1
5	GH1340A-06-21/9	Gear	20T	1
6	GH1340A-06-21/11	Washer		1
7	TS-1503101	Hex Socket Cap Screw	M6x16	1
8	GH1340A-06-02	Name Plate		1
9	TS-1503101	Hex Socket Cap Screw	M6x45	1
10	06-24	Body		1
11	BD-920-6004	Indicator Label		1
12	GHW-TD-10	Rivet	2x4	1

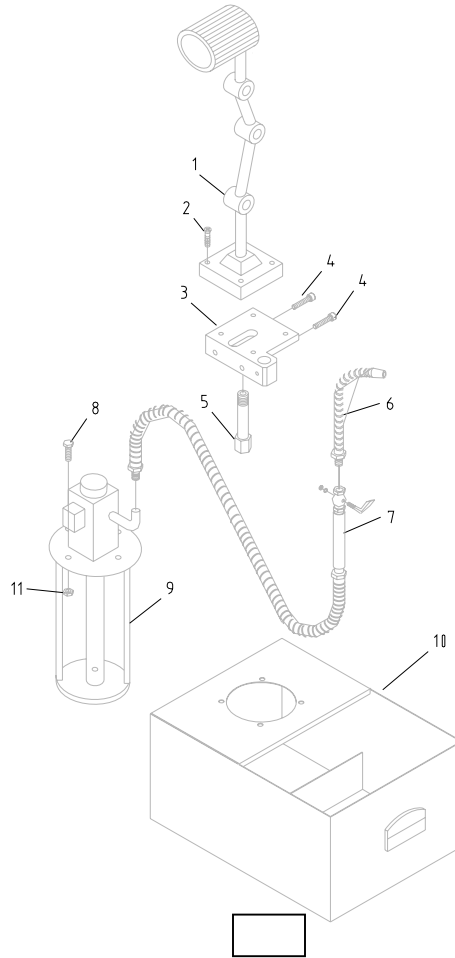
# Steady Rest



## Steady Rest

Index No.	Part No.	Description	Size	Quantity
1	<b>GH1440W-09-02</b>	<b>Knob</b>		<b>3</b>
2	TS-1523011	Set Screw	M6x6	3
3	10A-05	Bushing		3
4	10A-06	Screw		3
5	10A-07	Sleeve		3
6	10A-08	Brass Finger		3
7	10A-03	Upper Body Casting		1
8	GB119-8x40	Pin	8x40	1
9	<b>TS-1523061</b>	<b>Set Screw</b>	<b>M6x20</b>	<b>3</b>
10	<b>TS-1540041</b>	<b>Hex Nut</b>	<b>M6</b>	<b>3</b>
11	GH1440W-10-01	Lower Body Casting		1
12	10A-02	Lock Pin		1
13	TS-1540081	Hex Nut	M12	1
14	TS-1550081	Flat Washer		1
15	GH1440W-10-02	Clamp Plate		1
16	TS-1550081	Flat Washer	12	1
17	TS-1492081	Hex Cap Bolt	M12x80	1
	GH1440W-SR-CA	Steady Rest Complete Assembly(for 14" )		1

## Coolant and Work Light Assembly

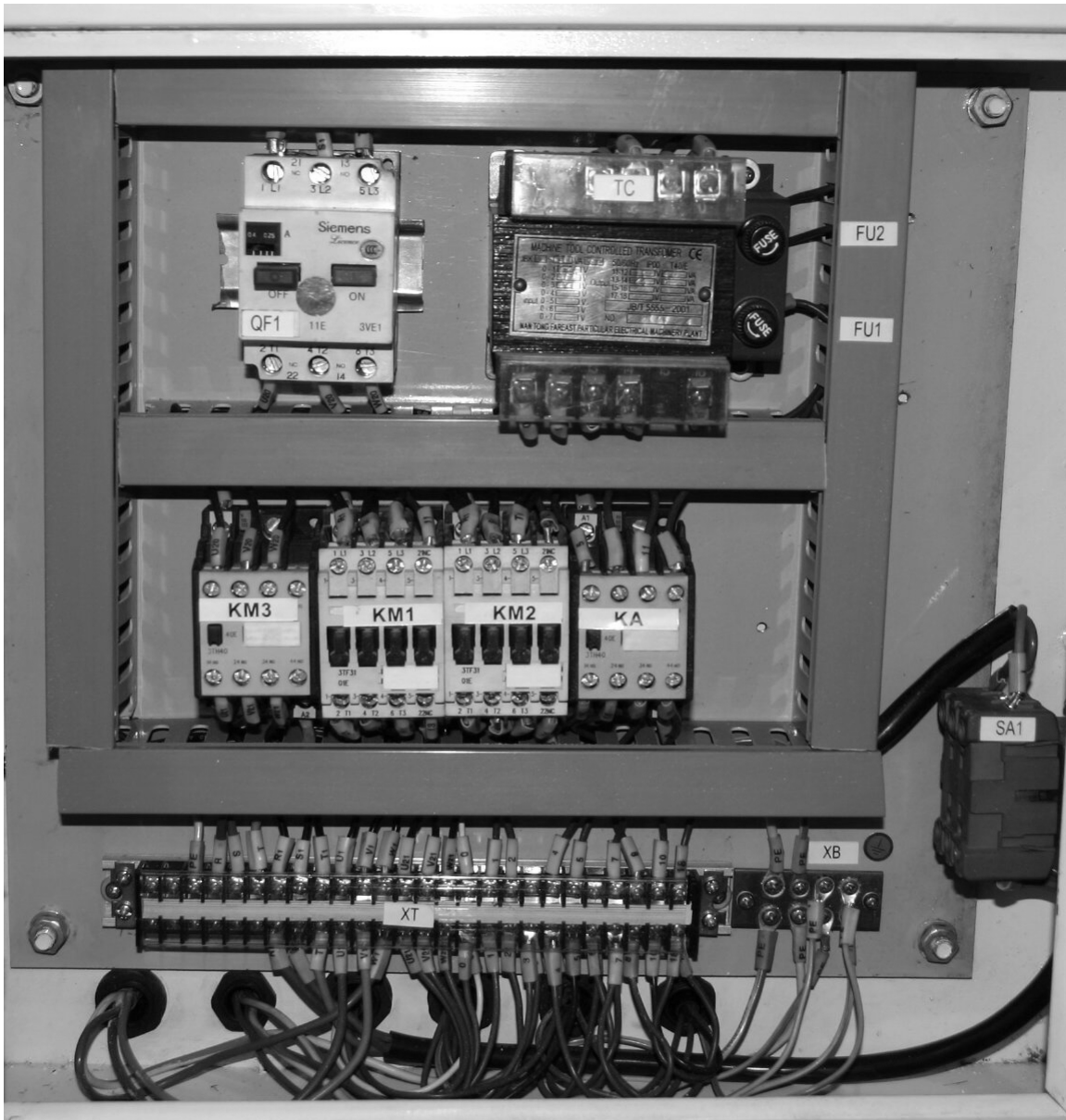


## Coolant and Work Light Assembly

Index No.	Part No.	Description	Size	Quantity
1	GH1440WE-EL	Work Light**		1
2	GHW-CW02	Cross Head Screw**	M6x14	4
3	14-03	Lamp Bracket**		1
4	TS-1503051	Hex Socket Cap Screw**	M6x20	2
5	14-04	Connected Tube		1
6	GHW-CW06	Coolant Device		1
7	GHW-CW07	Rubber Tube		1
8	GHW-CW08	Hex Cap Bolt	M5x25	4
9	E-M2	Coolant Pump (3 phase)	1/8HP	1
10	14-01E	Water Tank		1
11	TS-1540031	Nut	M5	4
	GH1440W-BL	Work Lamp Bulb		1
**	GHW-WL-CA	Work Light Complete Assembly (includes#1-5)		1



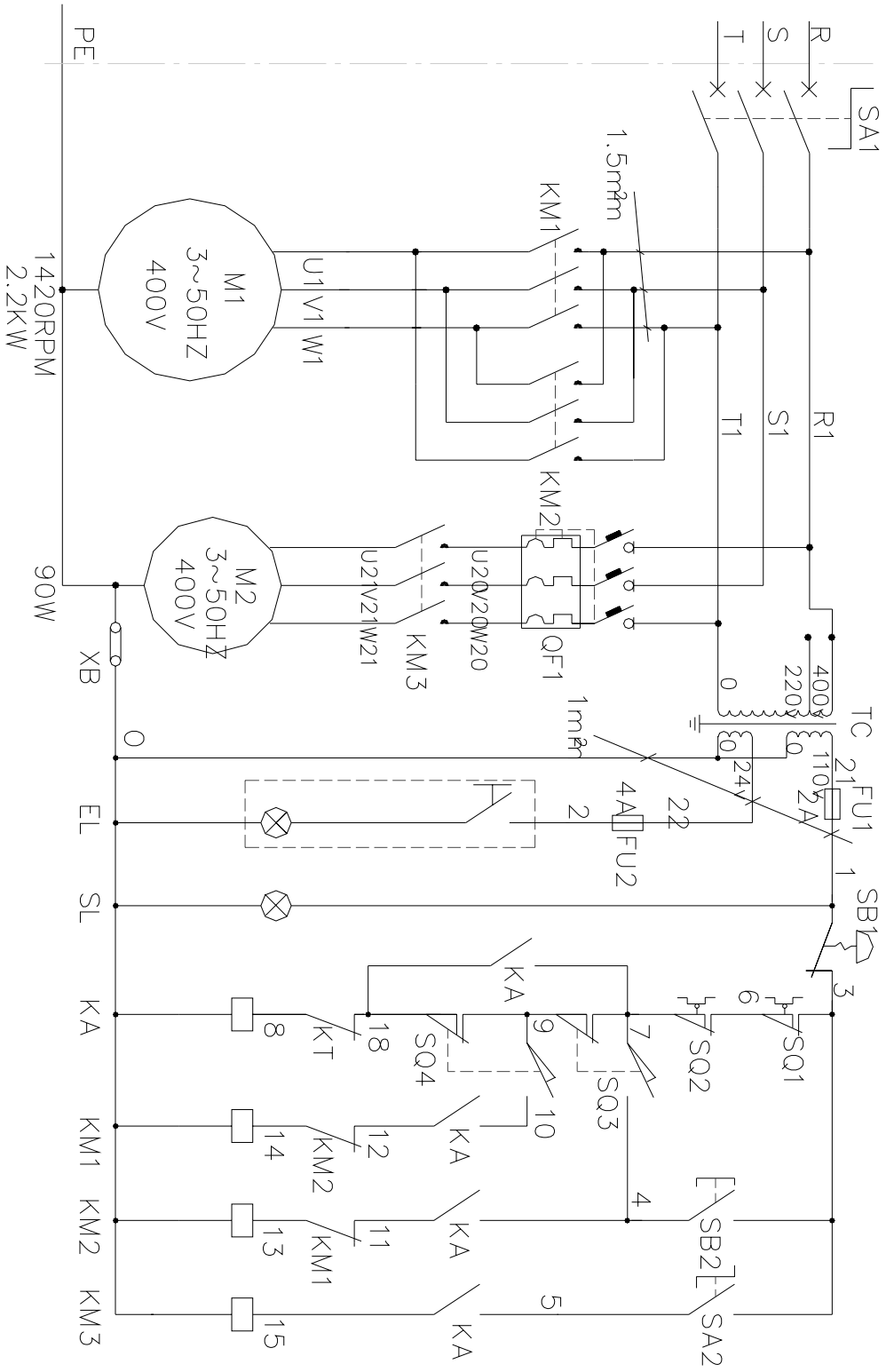
# Electrical Components



## Electrical Components

Index No.	Part No.	Description	Size	Quantity
KM1	GH1440WE-KM1	Magnetic Starter (3 Phase, Forward)		1
KM2	GH1440WE-KM2	Magnetic Starter (3 Phase, Reverse)		1
KM3	GH1440WE-KM3	Coolant Pump Contactor		1
KA	GH1440WE-KA	Control Contactor		1
FU1	GH1440WE-FU1	2 Amp Fuse (local purchase)		1
FU2	GH1440WE-FU2	4 Amp Fuse (local purchase)		1
QF1	GH1440WE-QF1	Master Switch		1
TC	GH1440WE-TC-3	Transformer (3 Phase)		1
SA1	GH1440WE-SA1	Power On/Off Switch		1
XT	GH1440WE-XT	Terminal Table		1
XB	GH1440WE-XB	Ground Plate		1
	GH1440WE-SQ2	Chuck Guard Switch (not shown)		1
	GH1440WE-SQ1	Brake Switch (not shown)		1
	GH1440WE-SB1	Off Switch (not shown)		1
	GH1440WE-SB2	Jog Switch (not shown)		1
	GH1440WE-SL	Power Indicator light (not shown)		1
	GH1440WE-SA2	Coolant Pump Switch (not shown)		1
	GH1440WE-SQ3	Forward Switch (not shown)		1
	GH1440WE-SQ4	Reverse Switch (not shown)		1
	GH1440WE-M1	Main Motor (3ph,not shown)		1
	GH1440WE-M2	Coolant Pump (3ph,not shown)		1

## Electrical Schematic Symbol Glossary





## Electrical Schematic Symbol Glossary

Symbol	Component	Location
1..... SB1 .....	Emergency Off Switch.....	Front Panel
2..... SB2 .....	Jog Switch .....	Front Panel
3..... SL.....	Power Indicator Light.....	Front Panel
4..... SA2 .....	Coolant Pump Switch.....	Front Panel
5..... SQ1 .....	Brake Switch .....	Inside Bottom Cover-Headstock End
6..... SQ2.....	Chuck Guard Switch.....	Inside Change Gear Cover
7..... SQ3.....	Forward Switch.....	Inside the Bracket (On The Right Of Gearbox)
8..... SQ4.....	Reverse Switch .....	Inside the Bracket (On The Right Of Gearbox)
9..... SA1 .....	Power On/Off Switch .....	On Electrical Panel Cover-Rear of Machine
10..... KM3.....	Coolant Pump Contactor .....	Electrical Control Box- Rear of Machine
11 ..... KM3.....	Coolant Pump Contactor .....	Electrical Control Box- Rear of Machine
12..... QF1 .....	Master Overload Switch .....	Electrical Control Box- Rear of Machine
13..... KM1.....	Magnetic Starter-Forward.....	Electrical Control Box- Rear of Machine
14..... KM2.....	Magnetic Starter-Reverse.....	Electrical Control Box- Rear of Machine
15..... TC .....	Control Transformer .....	Electrical Control Box- Rear of Machine
16..... M1 .....	Main Motor .....	Inside Stand-Headstock End
17..... M2 .....	Coolant Pump Motor .....	Inside Stand-Headstock End
18..... EL.....	Work Lamp light .....	Work Light Seat