

# **J E T**

**GH-20XXZH METALWORKING LATHE**

**400/50/3**

**PARTS LIST  
ERSATZTEILLISTE  
LISTE DE PIECES**

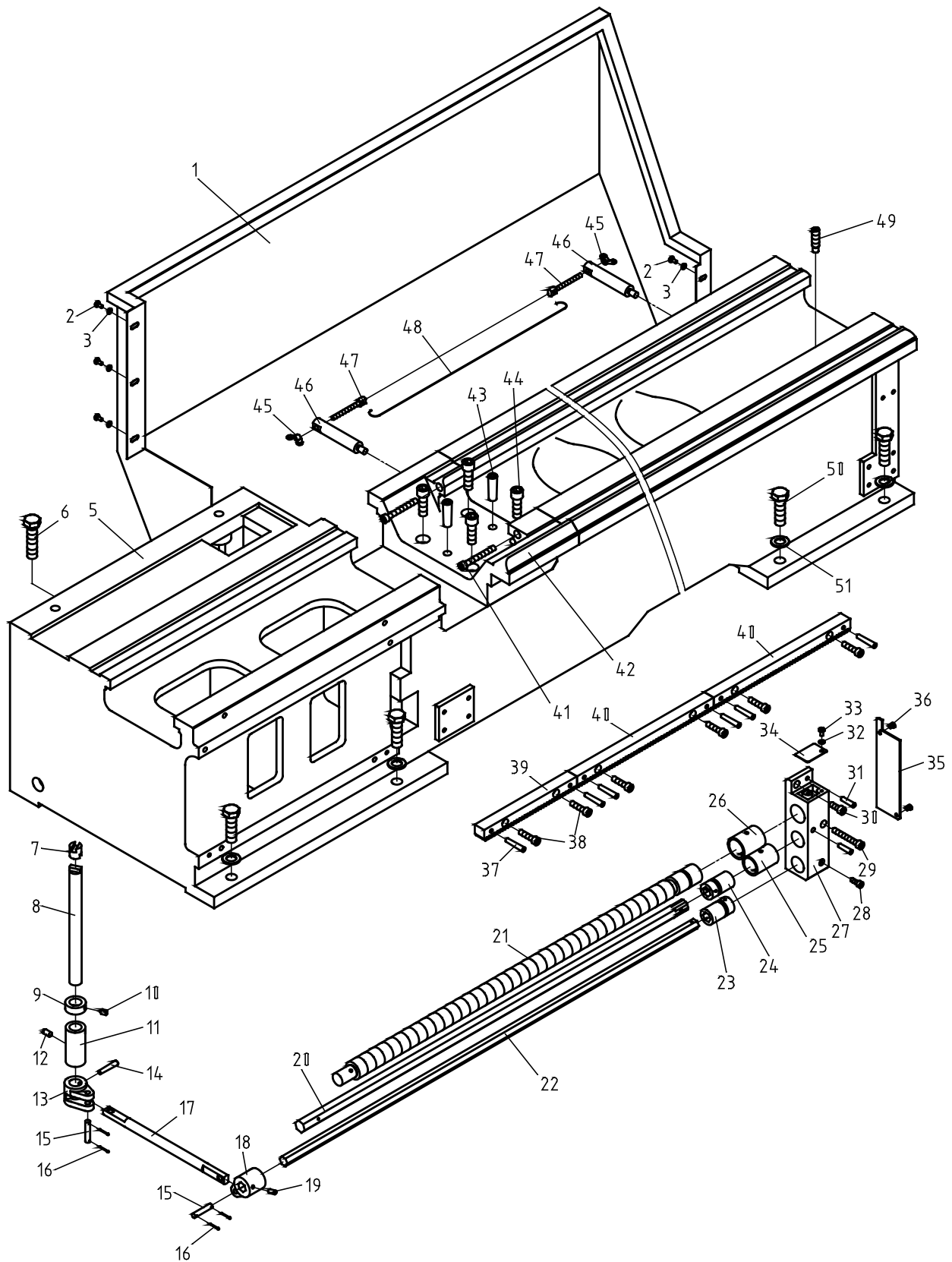
**WMH Tool Group AG**  
Bahnstrasse 24, CH – 8603 Schwerzenbach  
[www.wmhtoolgroup.ch](http://www.wmhtoolgroup.ch); [info@wmhtoolgroup.ch](mailto:info@wmhtoolgroup.ch)  
Tel +41 (0) 1 806 47 48  
Fax +41 (0) 1 806 47 58



## Table of Contents

Table of Contents .....	2
Bed Assembly I .....	3-5
Bed Assembly II .....	6-7
Headstock Assembly I .....	8-9
Headstock Assembly II .....	10-12
Headstock Assembly III .....	13-16
Headstock Assembly IV .....	17-19
Headstock Assembly V .....	20-21
Tailstock Assembly I .....	22-23
Tailstock Assembly II .....	24-25
Carriage Assembly I .....	26-28
Carriage Assembly II .....	29-30
Gear Box Assembly I .....	31-32
Gear Box Assembly II .....	33-35
Gear Box Assembly III .....	36-38
Apron Assembly I .....	39-42
Apron Assembly II .....	43-45
Apron Assembly III .....	46-48
Gear Assembly .....	49-50
Steady Rest Assembly .....	51-52
Follow Rest Assembly .....	53-54

# Bed Assembly I

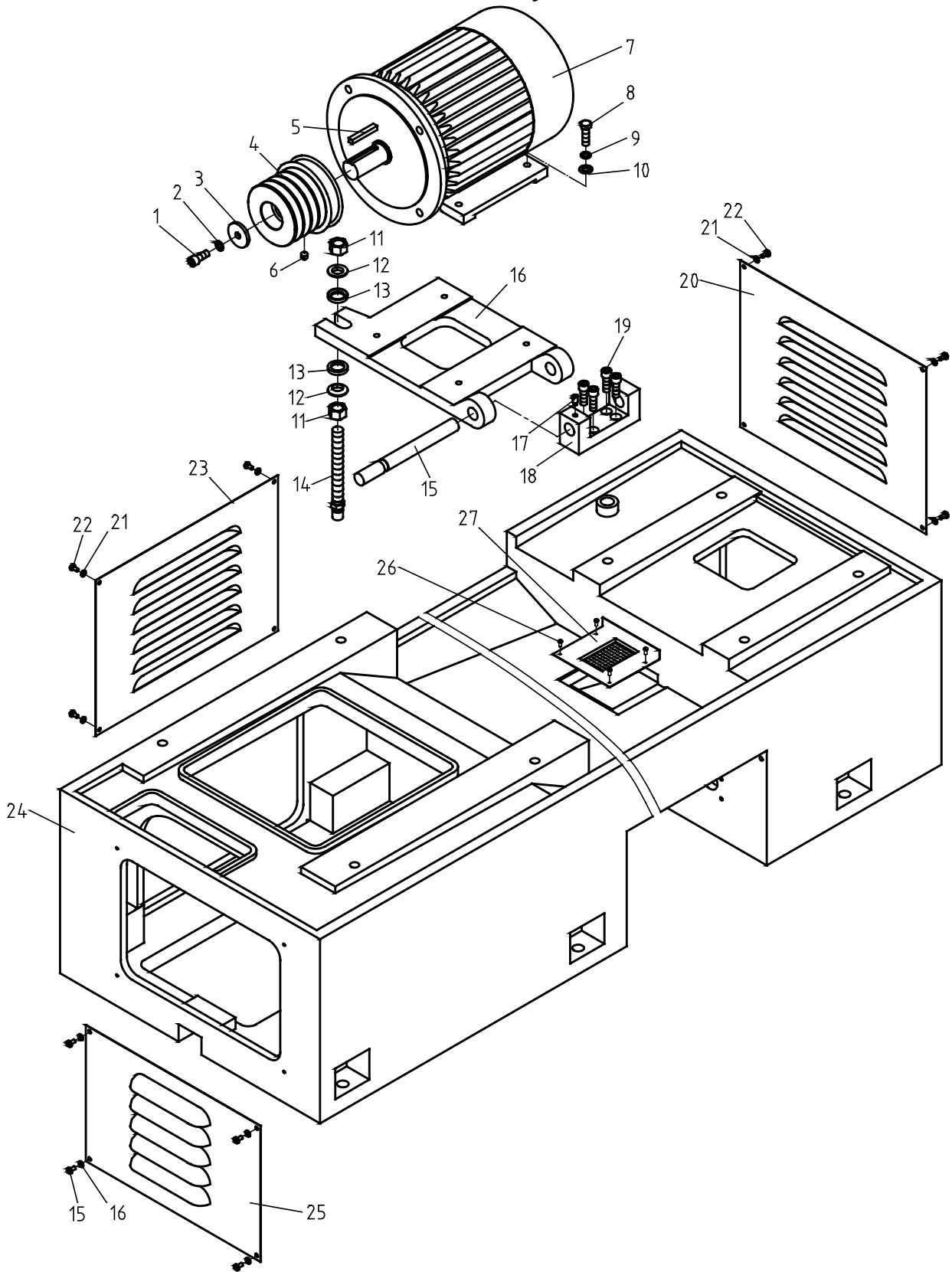


## Bed Assembly I

Index No.	Part No.	Description	Size	Qty.
1	C6266C-12701A	Splash Guard (For GH2040ZH)	1000	1
	C6266C-12701B	Splash Guard (For GH2060ZH)	1500	1
	C6266C-12701C	Splash Guard (For GH2080ZH)	2000	1
	C6266C-12701CN	Splash Guard (For GH2086ZH)	2200	1
	C6266C-12701D	Splash Guard (For GH20120ZH)	3000	1
2	GB70	Hex Socket Cap Screw	M6x8	8
3	GB97	Flat Washer	6	8
5	C6266C-01101A	Bed	1000	1
	C6266C-01101B	Bed	1500	1
	C6266C-01101C	Bed	2000	1
	C6266C-01101CN	Bed	2200	1
	C6266C-01101D	Bed	3000	1
6	GB5782	Hex Cap Bolt	M20x60	4
7	C6140W-01705	Crossed Head		1
8	C6140W-01706	Screw		1
9	C6140W-01707	Sleeve		1
10	GB71	Slotted Set Screw	M10x12	1
11	C6140W-01709	Sleeve		1
12	GB71	Slotted Set Screw	M10x20	1
13	C6140W-01104	Fork		1
14	GB118	Taper Pin	8x50	1
15	GB71	Slotted Set Screw	M10x14	2
16	GB91	Split Pin	2x16	4
17	C6140W-01711	Pulling Rod		1
18	C6266C-01106	Sleeve		1
19	GB71	Slotted Set Screw	M8x16	1
20	C6140W-01703	Hex Feed Rod (For GH-2040ZH)		1
	C6266C-01703B	Hex Feed Rod (For GH-2060ZH)		1
	C6266C-01703C	Hex Feed Rod (For GH-2080ZH)		1
	C6266C-01703CN	Hex Feed Rod (For GH-2088ZH)		1
	C6266C-01703D	Hex Feed Rod (For GH-20120ZH)		1
21	C6140W-01702	Lead Screw (For GH-2040ZH)		1
	C6266C-01702B	Lead Screw (For GH-2060ZH)		1
	C6266C-01702C	Lead Screw (For GH-2080ZH)		1
	C6266C-01702CN	Lead Screw (For GH-2088ZH)		1
	C6266C-01702D	Lead Screw (For GH-20120ZH)		1
22	C6140W-01705	Hex Control Rod (For GH-2040ZH)		1
	C6266C-01705B	Hex Control Rod (For GH-2060ZH)		1
	C6266C-01705C	Hex Control Rod (For GH-2080ZH)		1
	C6266C-01705CN	Hex Control Rod (For GH-2088ZH)		1
	C6266C-01705D	Hex Control Rod (For GH-20120ZH)		1
23	C6140W-01724	Sleeve		1
24	C6140W-01725	Sleeve		1
25	C6140W-01302	Copper Sleeve		1
26	C6140W-01301	Copper Sleeve		1
27	C6140W-01109	Bracket		1
28	GB70	Hex Socket Cap Screw	M8x20	1
29	GB70	Hex Socket Cap Screw	M10x70	1

30.....	GB70.....	Hex Socket Cap Screw .....	M10x25.....	1
31.....	GB118.....	Taper Pin .....	8x35.....	2
32.....	GB97.....	Flat Washer .....	6 .....	8
33.....	GB70.....	Hex Socket Cap Screw .....	M6x8.....	8
34.....	C6140W-01726.....	Cover .....		1
35.....	C6140W-01732.....	Cover .....		1
36.....	GB818.....	Cross Head Screw.....	M6x8.....	2
37.....	GB118.....	Taper Pin .....	8x45.....	6
38.....	GB70.....	Hex Socket Cap Screw .....	M10x35.....	6
39.....	C6266C-01704 .....	Rack (For GH-2040ZH) .....		2
	C6266C-01704 .....	Rack (For GH-2060ZH) .....		1
	C6266C-01704 .....	Rack (For GH-2080ZH)).....		1
	C6266C-01704 .....	Rack (For GH-2088ZH)).....		2
	C6266C-01704 .....	Rack (For GH-20120ZH) .....		1
40.....	C6140W-01719.....	Rack (For GH-2040ZH) .....		2
	C6140W-01719.....	Rack (For GH-2060ZH) .....		4
	C6140W-01719.....	Rack (For GH-2080ZH) .....		5
	C6140W-01719.....	Rack (For GH-2088ZH) .....		5
	C6140W-01719.....	Rack (For GH-20120ZH) .....		8
41.....	GB70.....	Hex Socket Cap Screw .....	M10x85.....	2
42.....	C6266C-01103.....	Gap.....		1
43.....	GB118.....	Taper Pin .....	16x60.....	2
44.....	GB70.....	Hex Socket Cap Screw .....	M16x50.....	4
45.....	GB62.....	Alary Nut A.....	M8 .....	2
46.....	C6266C-01709 .....	Screw.....		2
47.....	C6266C-01708 .....	Screw.....		2
48.....	GH-ZH-BA048 .....	Steel Wire .....	Φ 1.5.....	1

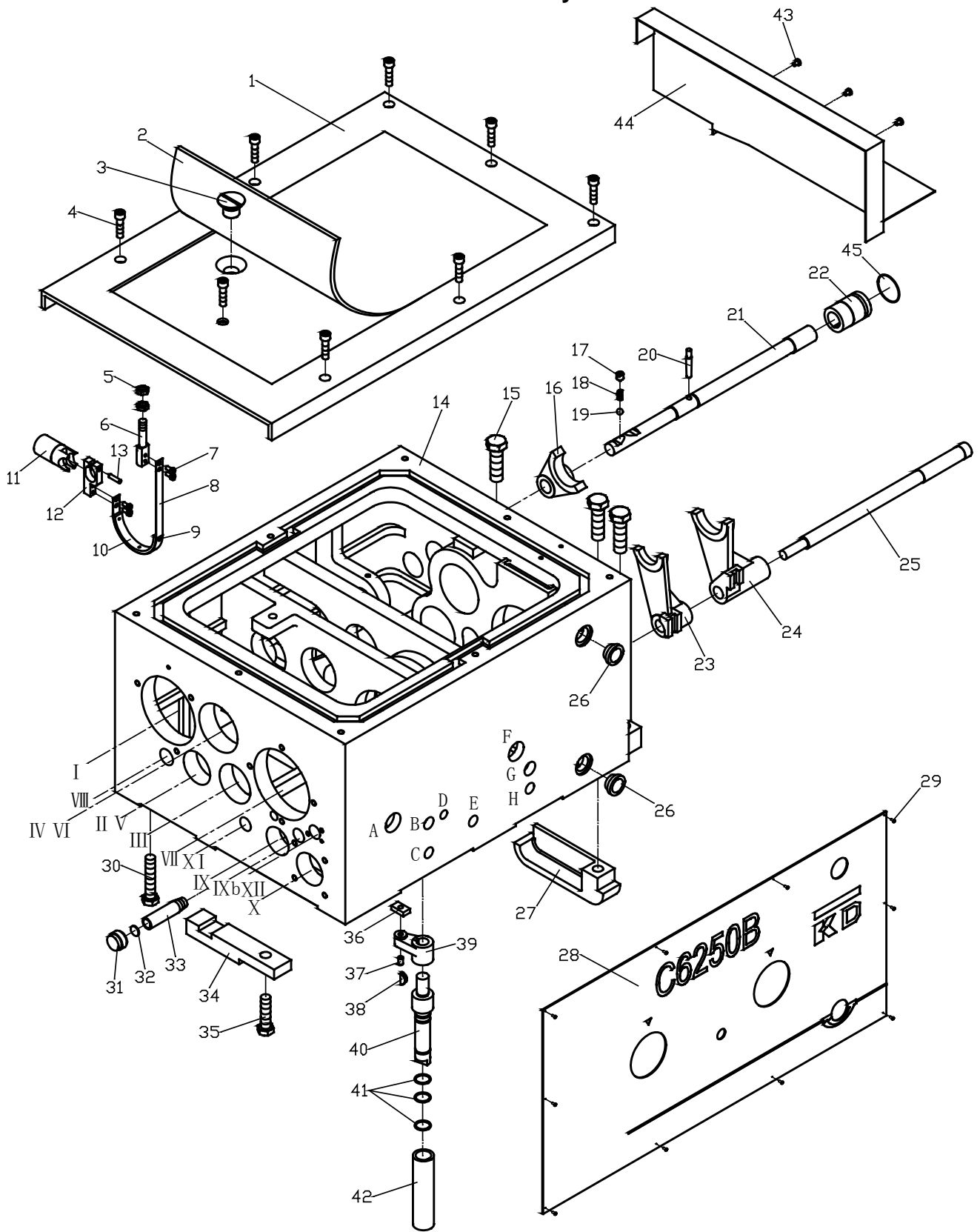
# Bed Assembly II



## Bed Assembly II

Index No.	Part No.	Description	Size
1	GB70	Hex Socket Cap Screw	M12x30
2	GB93	Spring Washer	12
3	C6266C-01706	Washer	1
4	C6266C-01105	Pulley	1
5	GB1096	Flat Key	1
6	GB71	Slotted Set Screw	M12x16
7	Y132M-4TH/B3	Motor	7.5W
8	GB5782	Hex Bolt	M10x40
9	GB93	Spring Washer	10
10	GB97.2	Flat Washer	10
11	GB6170	Hex Nut	M20
12	GB850	Taper Washer	2
13	GB849	Ball Washer	2
14	C6140W-01714	Double Bolt	1
15	C6266C-01711	Shaft	1
16	C6266C-01104	Motor Mounting Plate	1
17	GB75	Slotted Set Screws	M10x14
18	C6266C-01107	Support	1
19	GB70	Hex Socket Cap Screw	M12x35
20	C6266C-01701	Cover	1
21	GB97	Flat Washer	6
22	GB818	Cross Head Screw	M6x5
23	C6266C-01710	Cover	1
24	C6266C-01102A	Bed Stand	1000
	C6266C-01102B	Bed Stand	1500
	C6266C-01102C	Bed Stand	2000
	C6266C-01102CN	Bed Stand	2200
	C6266C-01102D	Bed Stand	3000
25	C6266C-01707	Cover	1

# Headstock Assembly I

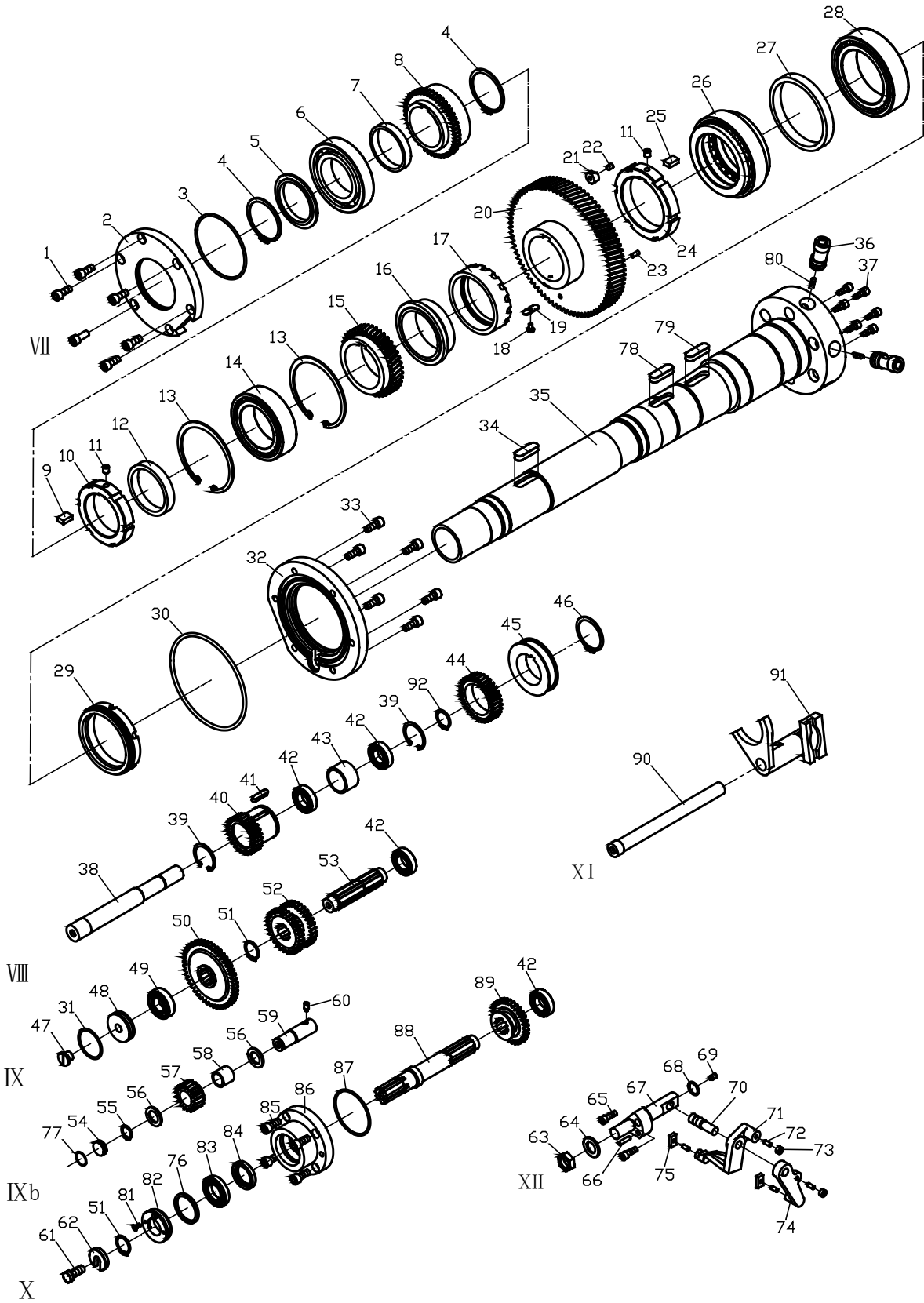




## Headstock Assembly I

Index No.	Part No.	Description	Size	Qty.
1	C6140W-02505	Headstock Cover		1
2	C6140W-02509	Rubber Gasket		1
3	C6140W-02835	Sunk Screw		1
4	GB70	Hex Socket Cap Screw	M10x40	8
5	GB6172	Hex Flat Nut	M12	2
6	C6140W-02816	Screw		1
7	GB65	Slotted Socket Cap Screw	M6x12	4
8	C6140W-02796	Braking Belt		1
9	GB867	Half Circle Rivet	3x8	3
10	C140W-02503	Braking Friction Disk		1
11	C6140W-02797	Shaft		1
12	C6140W-02798	Braking Belt Support		1
13	GB119	Pin	6m6x25	1
14	C6250B-02101	Headstock		1
15	GB5782	Hex Head Bolt	M20x65	3
16	C6140W-02107	Fork		1
17	GB71	Slotted Set Screw	M12x14	1
18	Q81-1	Spring	1.6x8x70	1
19	GB308	Steel Ball	10	1
20	GB818	Pin With Screw	8x40	1
21	C6140W-02731	Positioning Shaft		1
22	C6140W-02105	Bushing		1
23	C6250B-02138	Fork		1
24	C6140W-02130	Fork		1
25	C6140W-02829	Fork Shaft		1
26	R51-2	Oil Sight Glass	20	2
27	C6140W-02141	Front Cover		1
28	C6250B-02305	Label		1
29	GB818	Cross Head Screw	M3x5	10
30	GB5782	Hex Head Bolt	M16x80	2
31	C6140W-02831	Nut		1
32	C6140W-02504	Washer		1
33	C6140W-02832	Drain Pipe		1
34	C6140W-02833	Clamping Plate		1
35	GB5782	Hex Head Bolt	M16x60	1
36	C6140W-02143	Slide Block		1
37	GB119	Pin	8m6x20	1
38	GB1099	Half Circle Key	6x22	1
39	C6140W-02129	Rocker		1
40	C6140W-02815	Shaft		1
41	GB1235	C-Clip	25x2.4	3
42	C6140W-02127	Collar		1
43	GB818	Cross Head Screw	M6x8	3
44	C6266C-02757	Cover		1
45	GB3452.1	Ring Seal	38.7x3.55	1

# Headstock Assembly II

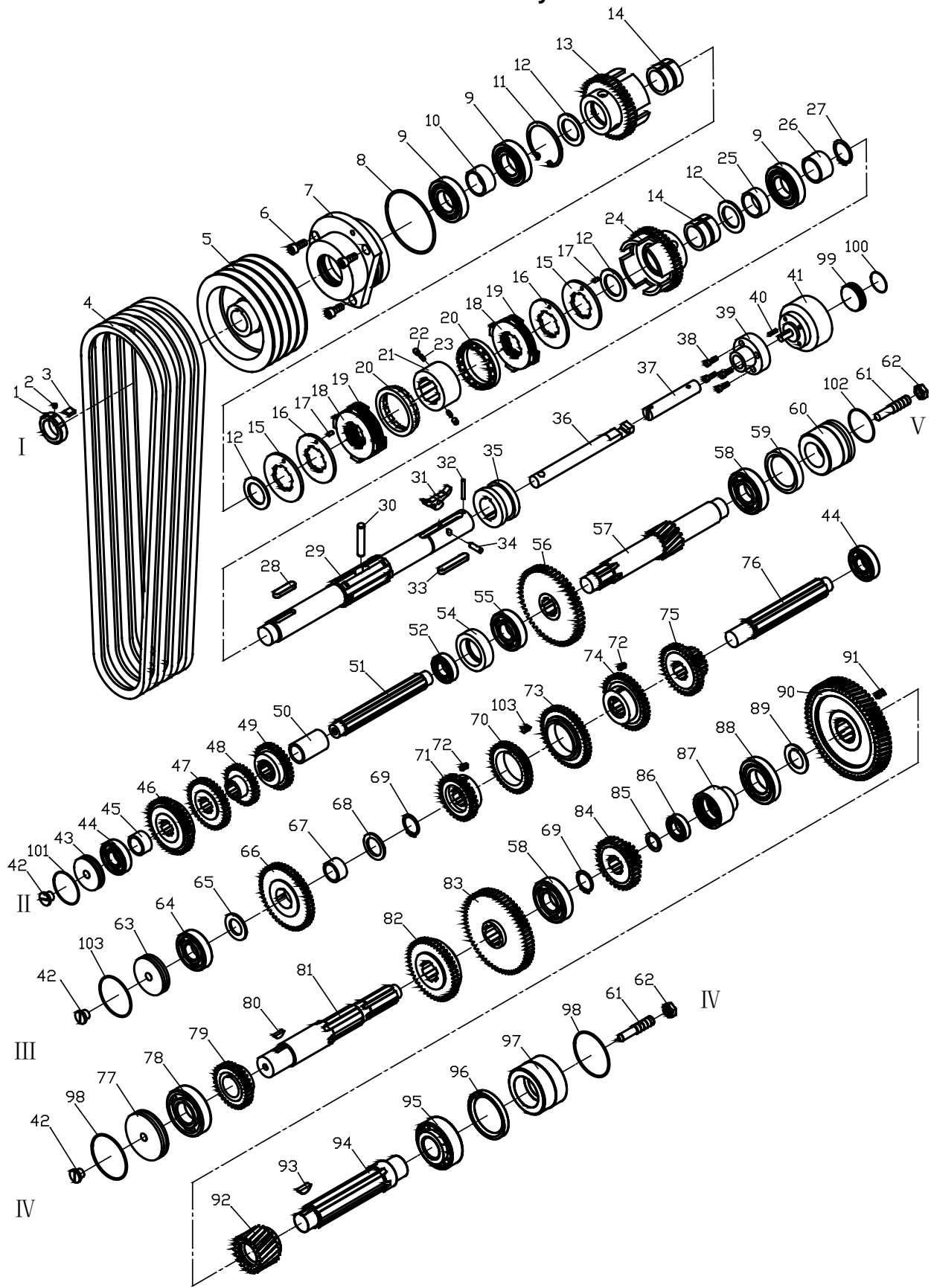


## Headstock Assembly II

Index No.	Part No.	Description	Size	Qty.
1	GB70	Hex Socket Cap Screws	M10x25	6
2	C6250B-02115	Back Flange Cover		1
3	G51-2B	Ring Seal	170x2.65	1
4	GB894.1	C-clip for Shaft	95	2
5	C6250B-02772	Oil Splash Ring		1
6	6019/P5	Deep Groove Ball Bearing		1
7	C6250B-02116	Sleeve		1
8	C6250B-02773	Gear		1
9	C6250B-02789(2/2)	Clamping Block		1
10	C6250B-02789(2/2)	Round Nut		1
11	GB77	Hex Socket Set Screw	M10x25	1
12	C6250B-02790	Sleeve		1
13	GB893.1	C-clip for Bore	150	1
14	NN3020/P5	Double Row Roller Bear	100x150x37	1
15	C6250B-02716	Gear		1
16	C6250B-02702	Thread Sleeve		1
17	C6250B-02703	Nut		1
18	GB67	Slotted Pan Head Screw	M6x10	1
19	C6140W-02715	Fixing Plate		1
20	C6250B-02705	Gear		1
21	C6140W-02704	Balance Block		1
22	GB78	Hex Socket Set Screw	M8x12	1
23	GB119	Pin	6x16	1
24	C6250B-02706(1/2)	Round Nut		1
25	C6250B-02706(2/2)	Clamping Block		1
26	234424/P5	Thrust Ball Bearing	120x150x72	1
27	C6250B-02712	Sleeve		1
28	NN3024K/W33/P5	Double Row Ball Bearing	120x150x46	1
29	1440R-02702	Oil Splash Ring		1
30	G51-2B	Ring Seal	218x2.65	1
31	GB3452.1	Ring Seal	45x3.55	1
32	C6250B-02102	Front Flange Cover		1
33	GB70	Hex Socket Cap Screws	M10x25	6
34	GB1096	Key	10x50	1
35	C6250B-02701	Spindle (D Type)		1
	C6250B-02701A	Spindle (C Type)		1
36	1440R-02701	Cam (For D Type)		6
37	1440R-02703	Cam (For C Type)		6
38	C6140W-02735	Shaft VIII		1
39	GB893.1	C-clip for Bore	47	2
40	C6140W-02739	Gear		1
41	GB1096	Key	8x35	1
42	6005/P6	Deep Groove Ball Bearing	25x47x12	2
43	C6140W-02110	Sleeve		1
44	C6140W-02738	Gear		1
45	C6140W-02737	Braking Wheel		1
46	GB894.1	C-clip for Shaft	58	1
47	C6140W-02765	Screw		1

48.....	C6140W-02774.....	Bearing Cover.....	.....	1
49.....	6205/P6 .....	Bearing .....	25x52x15.....	1
50.....	C6140W-02778.....	Gear.....	.....	1
51.....	GB894.1.....	C-clip for Shaft.....	30 .....	2
52.....	C6140W-02784.....	Double Gear .....	.....	1
53.....	C6140W-02777.....	Shaft IV .....	.....	1
54.....	C6140W-02775.....	Plug .....	.....	1
55.....	GB894.1.....	C-clip for Shaft.....	22 .....	1
56.....	C6140W-02782.....	Washer .....	.....	2
57.....	C6140W-02781.....	Gear.....	.....	1
58.....	C6140W-02306.....	Copper Sleeve.....	.....	1
59.....	C6140W-02783.....	Shaft IXb .....	.....	1
60.....	GB72.....	Slotted Set Screw .....	M8x16.....	1
61.....	GB5782.....	Hex Flat Screw .....	M12x30.....	1
62.....	GB851.....	Snap Washer .....	A12-40.....	1
63.....	GB6172.....	Hex Flat Screw .....	M20 .....	1
64.....	GB97.1.....	Washer .....	20 .....	1
65.....	GB70.....	Hex Socket Cap Screws.....	M8x25.....	1
66.....	GB119.....	Pin.....	6m6x25.....	1
67.....	C6140W-02824.....	Positioning Shaft.....	.....	1
68.....	GB3452.1-92 .....	Ring Seal .....	20x2.65.....	1
69.....	GB79.....	Hex Socket Cap Screws.....	M8x14.....	1
70.....	C6140W-02828.....	Pin Shaft .....	.....	1
71.....	C6140W-02140.....	Rocker .....	.....	1
72.....	GB119.....	Pin.....	6n6x14.....	1
73.....	C6140W-02812.....	Roller .....	.....	1
74.....	C6250B-02142 .....	Rocker .....	.....	1
75.....	C6140W-02119.....	Sliding Block.....	.....	1
76.....	C6250B-02142 .....	Washer .....	.....	1
77.....	GB3452.1.....	Ring Seal .....	20x2.65.....	1
78.....	GB1096.....	Key .....	12x50.....	1
79.....	GB1096.....	Key .....	16x50.....	1
80.....	Q81-1.....	Spring .....	1x8x25.....	1
81.....	GB68.....	Slotted Head Screw.....	M5x12.....	1
82.....	C6140W-02776.....	Adjusting Plug.....	.....	1
83.....	6006-2KS/P6 .....	Both Ends Sealed Bearing .....	.....	1
84.....	GB13871.....	Seal .....	35x51x8.....	1
85.....	GB70.....	Hex Socket Cap Screws.....	M10x25.....	4
86.....	C6250B-02117.....	Bearing Support.....	.....	1
87.....	G51-2A .....	Ring Seal .....	80x3.1.....	1
88.....	C6250B-02779 .....	Shaft X.....	.....	1
89.....	C6140W-02780.....	Gear.....	.....	1
90.....	C6140W-02793.....	Fork Shaft.....	.....	1
91.....	C6140W-02133.....	Fork .....	.....	1
92.....	GB894.1.....	C-clip for Shaft.....	25 .....	1

# Headstock Assembly III



## Headstock Assembly III

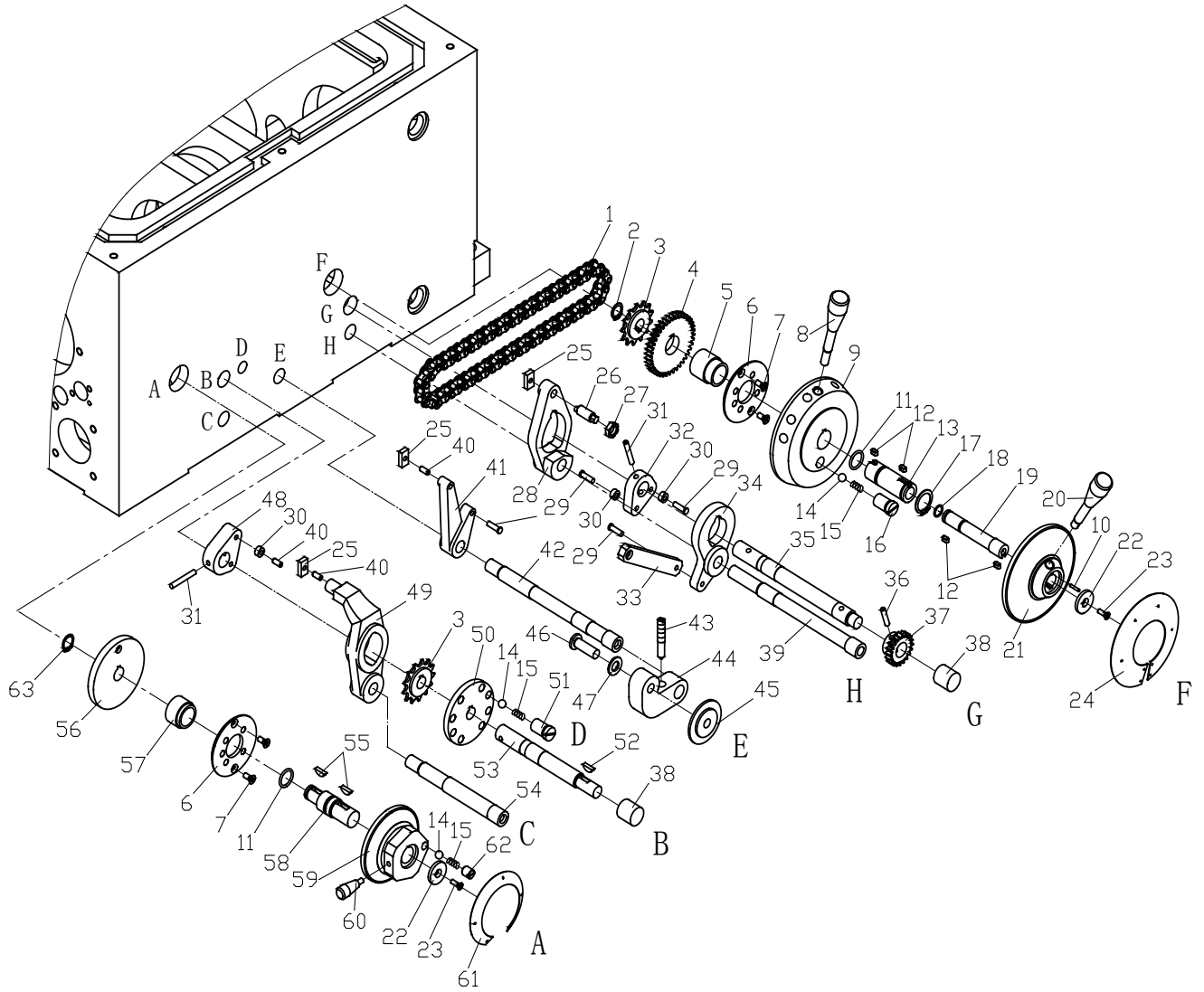
Index No.	Part No.	Description	Size	Qty.
1	C6140W-02752(1/2)	Round Nut		1
2	GB77	Hex Socket Set Screw		1
3	C6140W-02752(2/2)	Clamping Block		1
4	B-2159	Belt		4
5	C6140W-02113	Pulley		1
6	GB70	Hex Socket Cap Screws	M10x25	4
7	C6140W-02111	Bearing Support		1
8	GB3452.1	Ring Seal	115x3.55	1
9	6208/P6	Deep Groove Ball Bearing		3
10	C6140W-02112	Sleeve		1
11	GB893.1	C-clip for Bore	80	1
12	C6140W-02740	Sleeve		4
13	C6140W-02749	Gear		1
14	C6140W-02301	Collar		1
15	C6140W-02748	Washer		2
15	C6140W-02747	Washer		2
17	GB119	Pin	5x10	2
18	C6140W-02746	Inner Friction Disk		16
19	C6140W-02745	Outer Friction Disk		14
20	C6140W-02741	Adjusting Nut		2
21	C6140W-02742	Sleeve Nut		1
22	C6140W-02744	Stop Pin		1
23	Q81-1	Spring	0.8x5x16	2
24	C6140W-02736	Gear		1
25	C6140W-02109	Sleeve		1
26	C6140W-02108	Sleeve		1
27	GB894.1	C-clip for Shaft	40	1
28	GB1096	Key	12x50	1
29	C6140W-02751	Shaft I		1
30	GB119	Pin	12x70	1
31	C6140W-02732	Lever		1
32	GB119	Pin	5x40	1
33	GB1096	Key	12x70	1
34	GB119	Pin	8x25	1
35	C6140W-02733	Clamping Ring		1
36	C6140W-02743	Shaft		1
37	C6140W-02730	Shaft connecting Oil Pump		1
38	GB70	Hex Socket Cap Screws	M6x20	4
39	C6140W-02106	Pump Support		1
40	GB1096	Key	4x20	1
41	DB-B4	Oil Pump		1
42	C6140W-02765	Bolt		4
43	C6140W-02754	Bearing Cover		1
44	6035/P6	Bearing	25x62x17	1
45	C6140W-02131	Sleeve		1
46	C6140W-02755	Gear		1
47	C6140W-02756	Gear		1
48	C6140W-02757	Gear		1

49.....	C6140W-02758.....	Gear.....	1
50.....	C6140W-02114.....	Sleeve.....	1
51.....	C6140W-02753.....	Shaft II.....	1
52.....	6205/P6.....	Deep Groove Ball Bearing.....	25x52x15.....1
54.....	C6140W-02734.....	Bearing Support.....	1
55.....	6306/P6.....	Bearing.....	30x72x19.....1
56.....	C6140W-02727.....	Gear.....	1
57.....	C6250B-02728.....	Shaft V.....	1
58.....	6307/P6.....	Bearing.....	35x80x21.....1
59.....	C6140W-02726.....	Cover for Shaft V.....	1
60.....	C6140W-02104.....	Stopper for Shaft V Hole.....	1
61.....	C6140W-02717.....	Hex Socket Cap Screws.....	2
62.....	GB6173.....	Hex Flat Nut.....	M16x1.5.....1
63.....	C6140W-02759.....	Bearing Cover.....	1
64.....	6306/P6.....	Bearing.....	1
65.....	C6140W-02762.....	Washer.....	1
66.....	C6140W-02764.....	Gear.....	1
67.....	C6140W-02302.....	Copper Sleeve.....	1
68.....	C6140W-02763.....	Washer.....	1
69.....	GB894.1.....	C-clip for Shaft.....	35.....1
70.....	C6140W-02760.....	Gear.....	1
71.....	C6140W-02761.....	Gear.....	1
72.....	GB1096.....	Key.....	6x16.....1
73.....	C6140W-02768.....	Gear.....	1
74.....	C6140W-02769.....	Gear.....	1
75.....	C6140W-02771.....	Double Gear.....	1
76.....	C6140W-02770.....	Shaft III.....	1
77.....	C6140W-02766.....	Bearing Cover.....	1
78.....	6308/P6.....	Deep Groove Ball Bearing.....	40x90x23.....3
79.....	C6250B-02767.....	Gear.....	1
80.....	GB1099.....	Half Circle Key.....	6x22.....1
81.....	C6140W-02785.....	Shaft IV.....	1
82.....	C6140W-02786.....	Gear.....	1
83.....	C6140W-02787.....	Gear.....	1
84.....	C6140W-02725.....	Double Gear.....	1
85.....	C6140W-02750.....	Slide Sleeve.....	1
86.....	6005/P6.....	Bearing.....	25x47x12.....1
87.....	C6140W-02724.....	Inner Gear.....	1
88.....	30209.....	Taper Roller Bearing.....	45x85x19.....1
89.....	C6140W-02723.....	Washer.....	1
90.....	C6250B-02719.....	Gear.....	1
91.....	C6140W-02722.....	Connecting Plate.....	1
92.....	C6140W-02721.....	Gear.....	1
93.....	GB1099.....	Half Circle Key.....	8x25.....1
94.....	C6140W-02720.....	Shaft VI.....	1
95.....	32308.....	Taper Roller Bearing.....	40x90x33.....1
96.....	C6140W-02718.....	Cover for Shaft VI Hole.....	1
97.....	C6250B-02103.....	Stopper for Shaft VI Hole.....	1
98.....	GB3452.1.....	Ring Seal.....	82.5x3.55.....1
99.....	C6140W-02729.....	Plug.....	1
100.....	GB3452.1.....	Ring Seal.....	43.7x3.55.....1

101	.....	GB3452.1	.....	Ring Seal	.....	54.5x3.55	.....	1
102	.....	GB3452.1	.....	Ring Seal	.....	71x3.55	.....	1
103	.....	GB3452.1	.....	Ring Seal	.....	65x3.55	.....	1



# Headstock Assembly IV

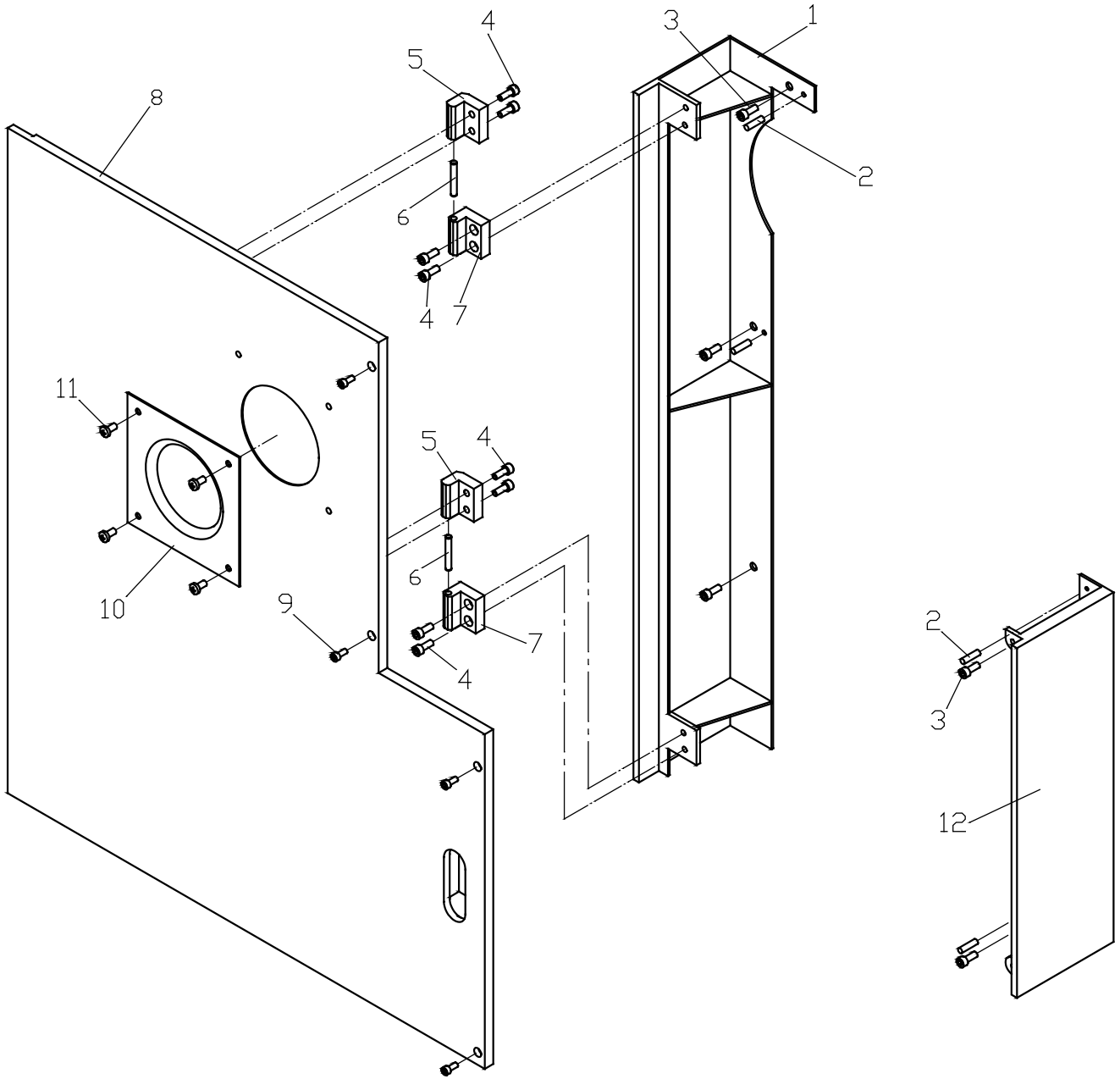


## Headstock Assembly IV

Index No.	Part No.	Description	Size	Qty.
1	C6140W0HA01	Roller Chain		1
2	GB894.1	C-clip For Shaft	16	1
3	C6140W-02808	Chain Wheel		2
4	C6140W-02807	Gear		1
5	C6140W-02806	Sleeve		1
6	C6140W-02803	Positioning Sleeve		1
7	GB819	Cross Recessed Head Screw	M6x14	8
8	C6140W-02799	Lever		1
9	C6140W-02122	Lever Support		1
11	GB3452.1	Ring Seal	20x2.65	1
12	GB1096	Key	5x10	4
13	C6140W-02805	Sleeve		1
14	GB308	Steel Ball	10	1
15	Q81-1	Spring	YI-1.6x8x18	1
16	C6140W-02802	Positioning Sleeve		1
17	GB894.1	C-clip For Shaft	25	1
18	GB3452.1	Ring Seal	12.5x18	1
19	C6140W-02804	Lever Shaft		1
20	C6140W-02801	Lever		1
21	C6140W-02123	Lever Shaft		1
22	C6140W-02821	Washer		1
23	GB819	Cross Recessed Head Screw	M5x16	1
24	C6140W-02303	Speed Label		1
25	C6140W-02119	Slide Block		4
26	C6140W-02814	Eccentric Bolt		1
27	GB6173	Hex Flat Screw	M12x1.25	1
28	C6140W-02126	Cam Rocker		1
29	C6140W-02813	Pin		4
30	C6140W-02812	Roller		2
31	GB117	Taper Pin	6x45	2
32	C6140W-02125	Rocker		1
33	C6250B-02830	Connector		1
34	C6140W-02124	Cam Rocker		1
35	C6140W-02811	Shaft		2
36	GB117	Taper Pin	6x30	1
37	C6140W-02809	Small Gear		1
38	C6140W-02791	Collar		2
39	C6140W-02810	Shaft		1
40	GB119	Pin	6n6x14	1
41	C6140W-02139	Rocker		1
42	C6140W-02827	Shaft		1
43	C6250B-02846	Screw		1
44	C6250B-02132	Rocker		1
45	C6140W-02826	Tightening Wheel		1
46	C6140W-02825	Pin		1
47	GB97.1	Washer	12	1
48	C6140W-02120	Rocker		1
49	C6250B-02121	Cam Rocker		1

50.....	C6140W-02794.....	Positioning Disc.....	1
51.....	C6140W-02802.....	Positioning Sleeve.....	2
52.....	GB1099.....	Half Circle Key.....5x19.....	1
53.....	C6140W-02792.....	Shaft.....	1
54.....	C6140W-02795.....	Shaft.....	1
55.....	GB1099.....	Half Circle Key.....5x19.....	2
56.....	C6140W-02823.....	Cam.....	1
57.....	C6140W-02803.....	Positioning Sleeve.....	2
58.....	C6140W-02819.....	Control Shaft.....	1
59.....	C6140W-02134.....	Lever Support.....	1
60.....	C6140W-02822.....	Small Lever.....	1
61.....	C6140W-02304.....	Label.....	1
62.....	GB73.....	Slotted Set Screw.....M12x14.....	1
63.....	GB894.1.....	C-clip For Shaft.....18.....	1

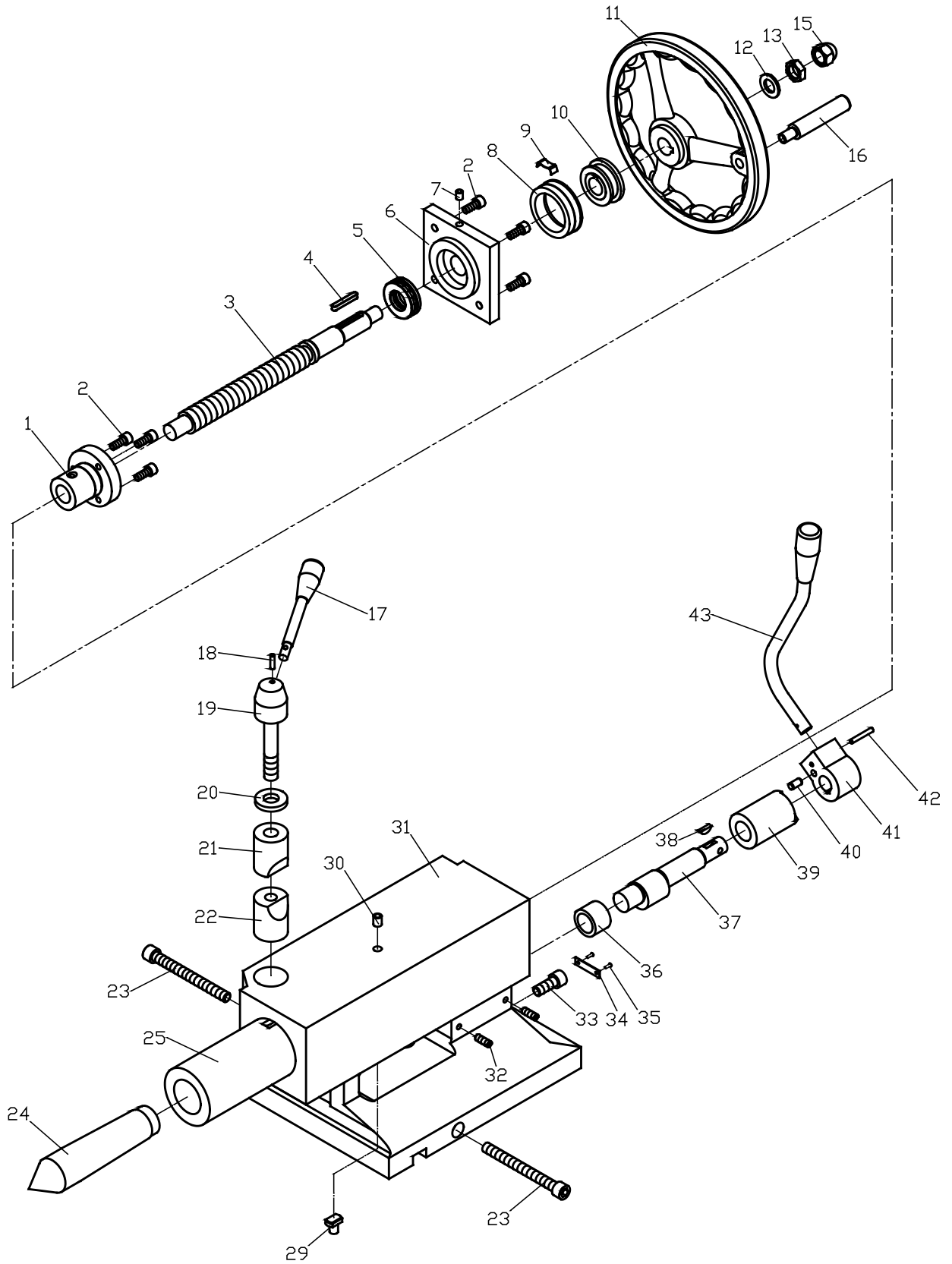
# Headstock Assembly V



## Headstock Assembly V

Index	Part			
No.	No.	Description	Size	Qty.
1.....	C6250B-02847 .....	Rear Side Plate .....		1
2.....	GB117 .....	Taper Pin .....	5x25.....	4
3.....	GB70.....	Hex Socket Cap Screw .....	M8x20.....	5
4.....	GB70.....	Hex Socket Cap Screw .....	M6x16.....	8
5.....	C6266C-08706 .....	Upper Hinge .....		2
6.....	GB119.....	Pin.....	6h8x40.....	2
7.....	C6266C-08707 .....	Lower Hinge .....		2
8.....	C6250B-02849 .....	Back Cover .....		1
9.....	GB70.....	Hex Socket Cap Screw .....	M5x12.....	4
10.....	C6250B-02850 .....	Cover .....		1
11.....	GB67.....	Slotted Pan Head Screw .....	M6x10.....	4
12.....	C6250B-02848 .....	Front Side Plate.....		1

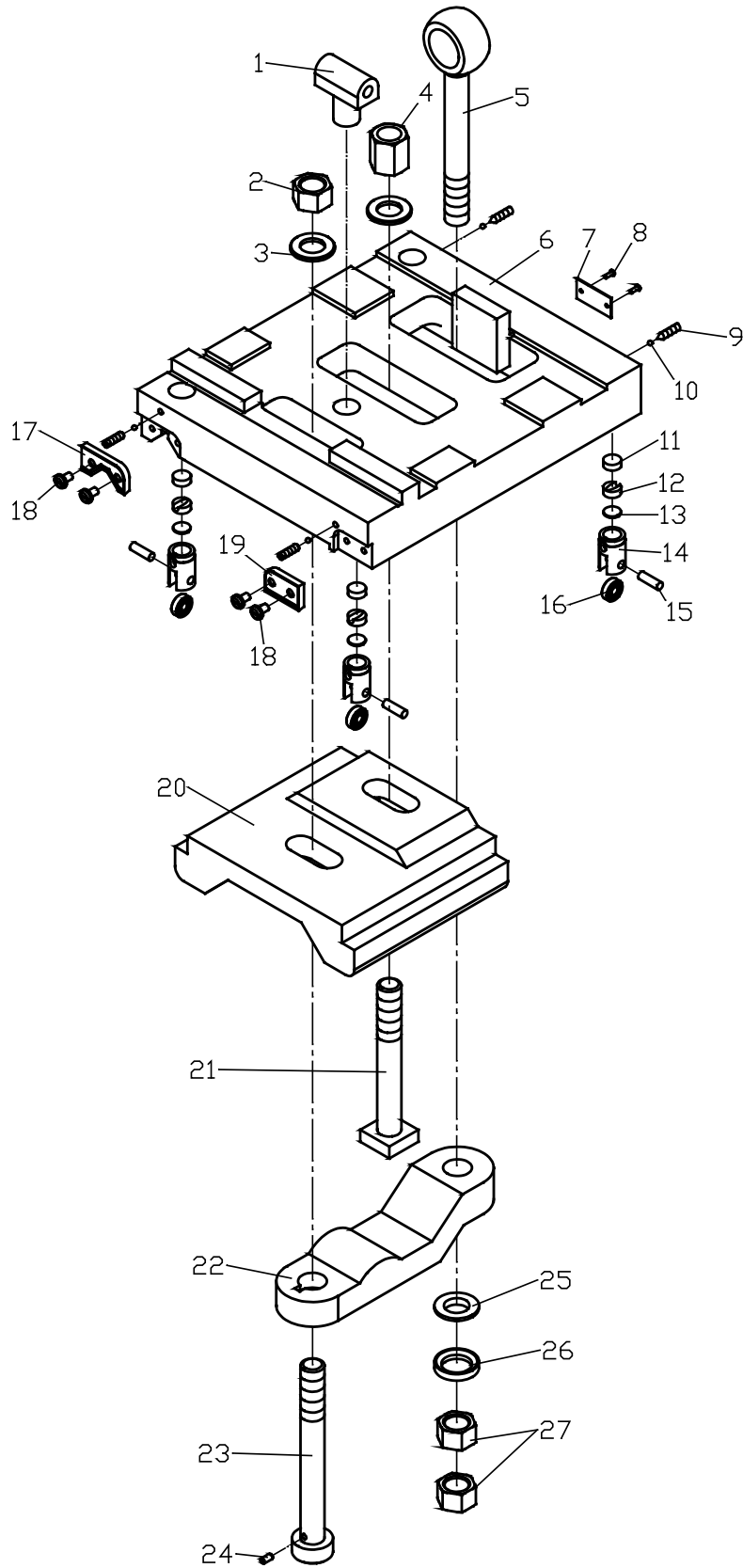
# Tailstock Assembly I



## Tailstock Assembly I

Index No.	Part No.	Description	Size	Qty.
1	GH1640ZX-03105	Nut		1
2	GB70	Hex Socket Cap Screw	M8x20	3
3	GH1840ZX-03710	Lead Screw		1
4	GB1096	Plain Key	6x40	1
5	51205	Thrust Bearing	25x47x15	1
6	C6250B-03105	Back Cover		1
7	GB1155	Oil Cup	8	1
8	GH1640ZX-03708G	Dial		1
9	C6132-03711	Spring Leaf		1
10	1440R-03706	Sleeve		1
11	C6140W-03107	Handle Wheel		1
12	GB97.2	Flat Washer	16	1
13	GB6172	Hex Flat Nut	M16	1
15	GB923	Nut	M16	1
16	C6140W-03705	Lever		1
17	C6140W-03710	Lever		1
18	GB117	Straight Pin	5x20	1
19	C6140W-03715	Lever Support		1
20	C6140W-03716	Washer		1
21	C6140W-03717	Clamping Block		1
22	C6140W-03718	Clamping Block		1
23	GB70	Hex Socket Cap Screw	M12x120	2
24	C6140W-TA24	Center	M.T.No.5	1
25	1860R-03701A	Center Sleeve		1
29	1440R-03702	Positioning Block		1
30	GB1155	Oil Cup	10	1
31	C6250B-03101	Tailstock Casting		1
32	GB71	Slotted Cylindrical End Set Screw	M8x25	2
33	GB70	Hex Socket Cap Screw	M12x25	1
34	C6140W-03502	Panel		1
35	GB67	Hex Socket Cap Screw	M6x10	2
36	C6140W-03103	Sleeve		1
37	C6250B-03704	Eccentric Shaft		1
38	GB117	Half Round Key	6x45	1
39	C6250B-03103	Sleeve		1
40	GB119	Pin	8x15	1
41	C6250B-03104	Lever Sleeve		1
42	GB117	Taper Pin	5x40	1
43	C6250B-03705	Lock Handle		1

## Tailstock Assembly II

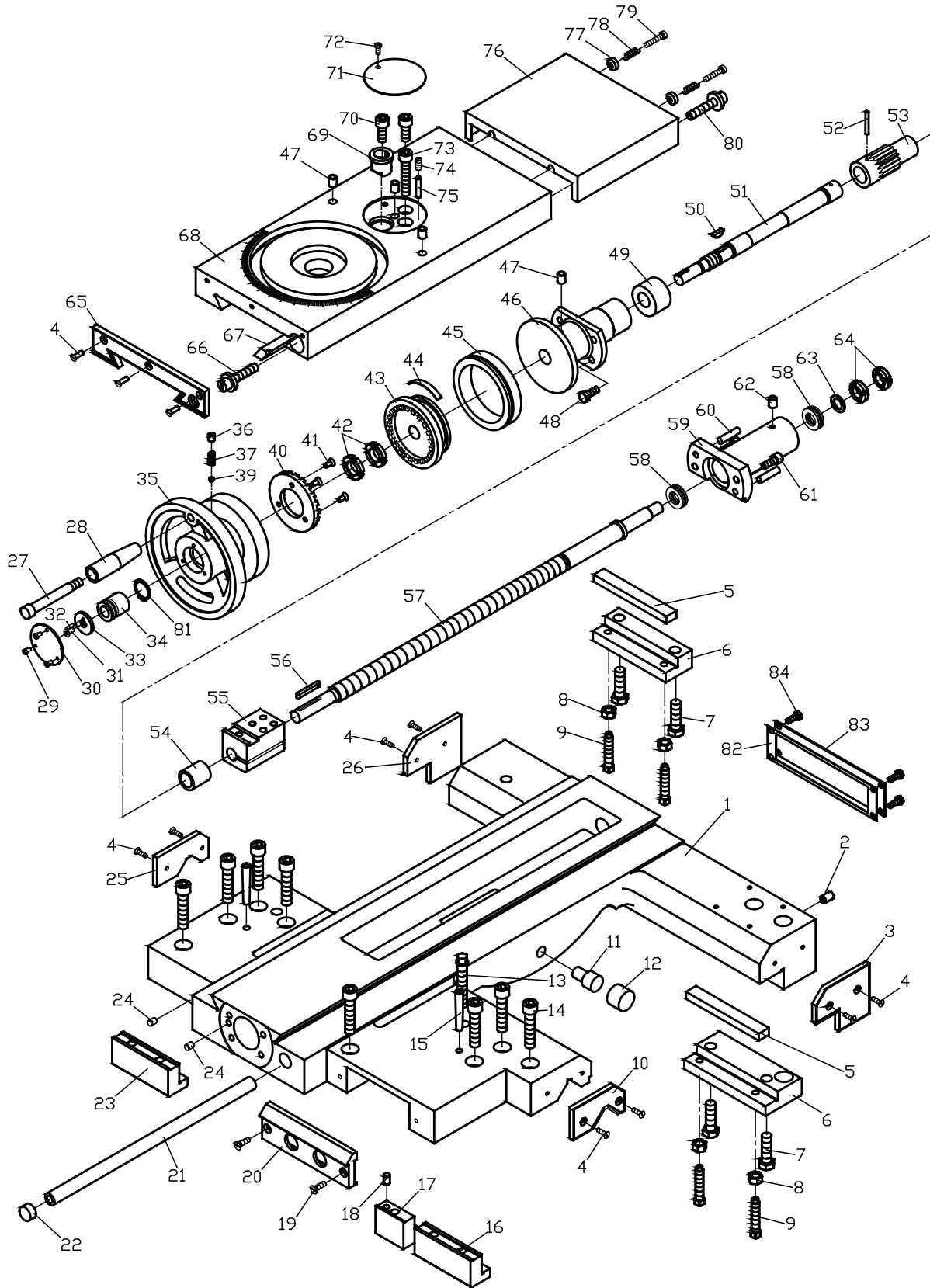




## Tailstock Assembly II

Index No.	Part No.	Description	Size	Qty.
1	C6140W-03110	Nut		1
2	GB6171	Hex Nut	M20x1.5	1
3	GB97.2	Slotted Pan Head Screw	.20	1
4	GB56	Hex Thick Nut	M20	1
5	C6250B-03703	Pulling Rod		1
6	C6250B-03102	Sliding Base		1
7	C6132-03303	Sign Plate		1
8	GB867	Half Circle Rivet	3x8	2
9	GB75	Slotted Cylindrical End Set Screw	M6x16	4
10	GB308	Steel Ball	Φ 4	4
11	C6140W-03711	Washer		4
12	C6140W-03712	Clamping Block		4
13	C6140W-03501	Spring Washer		4
14	C6140W-03713	Bearing Support		4
15	C6140W-03714	Small Axle		4
16	607	Ball Bearing	7x19x6	4
17	C6140W-03502	Wipe Plate		1
18	GB67	Slotted Pan Head Screw	M6x10	4
19	C6140W-03503	Wipe Plate		1
20	C6140W-03104	Clamping Block		1
21	C6250B-03702	Screw		1
22	C6140W-03111	Clamping Block		1
23	C6250B-03701	Screw		1
24	GB119	Straight Pin	.5x10	1
25	GB850	Taper Washer	.20	1
26	GB849	Ball Washer	.20	1
27	GB6173	Hex Nut	M20x1.5	2

# Carriage Assembly I

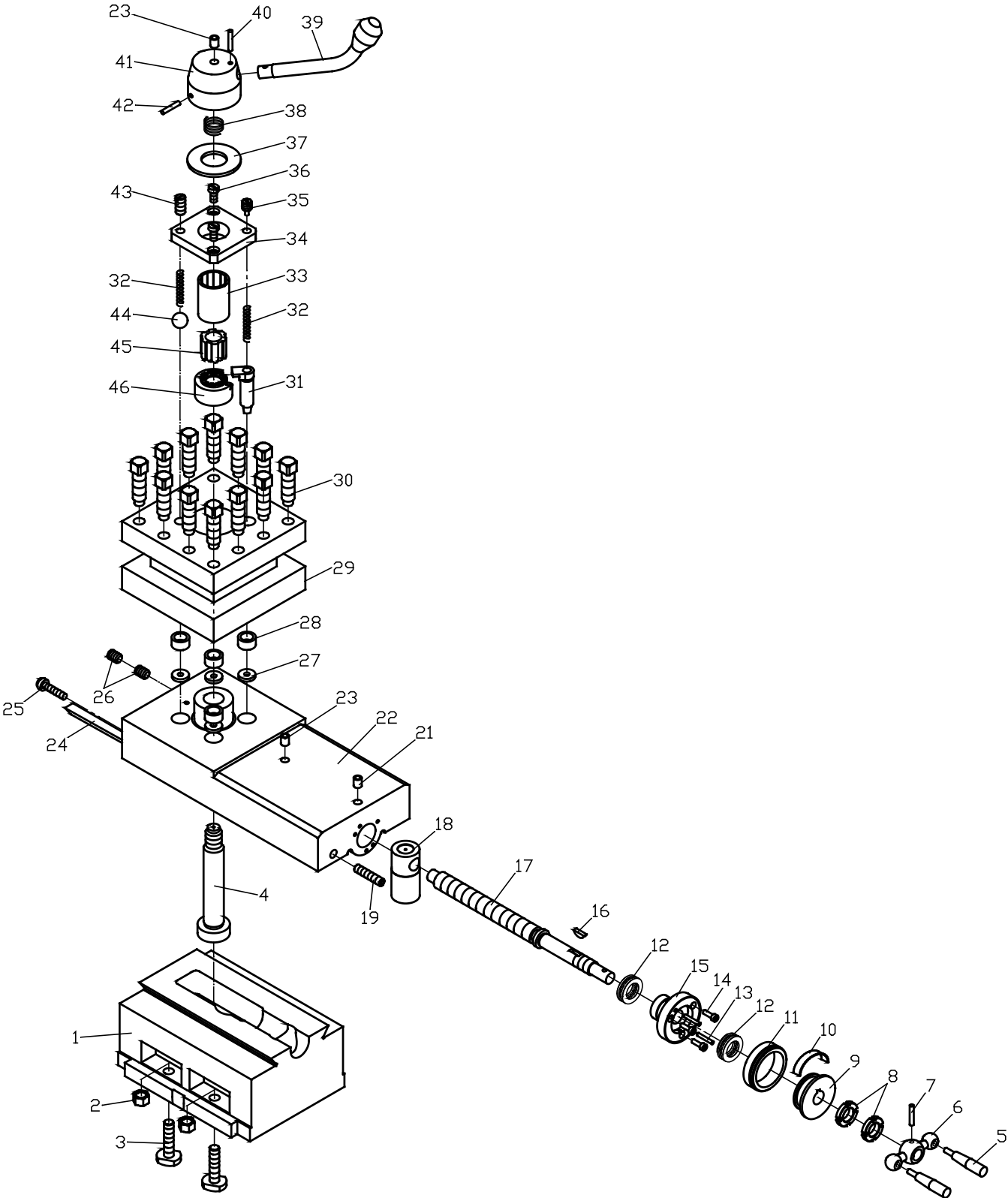


## Carriage Assembly I

Index No.	Part No.	Description	Size	Qty.
1	C6250B-04101	Slide		1
2	GB73	Slotted Set Screw	M10x16	1
3	C6140W-04503	Wipe Plate		1
4	GB70	Hex Socket Cap Screw	M5x14	8
5	C6140W-04107	Lining Plate		2
6	C6140W-04718	Clamping Plate		1
7	GB70	Hex Socket Cap Screw	M12x45	4
8	GB6170	Hex Nut	M10	4
9	GB85	Square Set Screw	M10x35	4
10	C6140W-04501	Wipe Plate		1
11	1440R-04788	Stop Pin		1
12	1440R-047507	Stop Pin Cap		1
13	GB83	Square Cap Bolt	M12x70	1
14	GB70	Hex Socket Cap Screw	M12x55	8
15	GB119	Pin	8x70	2
16	C6140W-04713	Front Clamping Plate		1
17	C6140W-04712	Locking Plate		1
18	GB119	Pin	8n6x20	1
19	GB68	Recessed Sunk Head Screw	M6 x 22	2
20	C6140W-04715	Switch Seat		1
21	C6140W-04711	Line Pipe		1
22	C6140W-04106	Plug		2
23	C6140W-04720	Back Clamping Block		1
24	GB119	Pin	8n6x10	3
25	C6140W-04505	Wipe Plate		1
26	C6140W-04504	Wipe Plate		1
27	C6266C-04721	Lever Shaft		1
28	C6266C-04722	Lever Sleeve		1
29	GB818	Cross Head Screw	M4x8	3
30	C6266C-04306	Panel		1
31	GB819	Cross Recessed Head Screw	M5x12	1
32	GB119	Pin	3n6x10	1
33	C6266C-04725	Cover		1
34	C6266C-04724	Sleeve		1
35	C6266C-04108	Handle		1
36	GB73	Slotted Set Screw	M8x10	1
37	Q81-1	Spring	0.8x6x12	1
39	C6266C-04733	Positioning Pin		1
40	C6266C-04720	Connector		1
41	GB819	Cross Recessed Head Screw	M5x14	3
42	GB812	Round Nut	M18x1.5	2
43	C6266C-04719	Connector		1
44	C6266C-04718	Spring Leaf		1
45	C6140W-04705A	Dial	Metric	1
46	C6266C-04107	Screw Support		1
47	GB1155	Oil Cup	6	1
48	GB70	Hex Socket Cap Screw	M8x20	4
49	C6250B-04109	Sleeve		1

50.....	GB1099.....	Half Circle Key.....	5x19.....	1
51.....	C6250B-04726.....	Shaft.....		1
52.....	GB117.....	Taper Pin.....	4x35.....	1
53.....	C6266C-04705.....	Shaft.....		1
54.....	C6266C-04103.....	Sleeve.....		1
55.....	C6140W-04301.....	Nut.....	Metric.....	1
56.....	GB1096.....	Flat Key.....		
57.....	C6266C-04701.....	Lead Screw.....	Metric.....	1
58.....	51103.....	Thrust Bearing.....	17x30x9.....	2
59.....	C6266C-04110.....	Bracket.....		1
60.....	GB117.....	Taper Pin.....	8x40.....	2
61.....	GB70.....	Hex Socket Cap Screw.....	M8x20.....	2
62.....	GB1155.....	Oil Cap.....	6.....	1
63.....	C6266C-04702.....	Washer.....		1
64.....	GB812.....	Round Nut.....	M14x1.5.....	2
65.....	C6140W-04501.....	Wipe Plate.....		1
66.....	C6266C-04727.....	Gib Setting Screw.....		1
67.....	C6250B-04728.....	Cross Slide Gib.....		1
68.....	C6250B-04102.....	Cross Slide.....		1
69.....	C6250B-04701.....	Sleeve.....		1
70.....	GB70.....	Hex Socket Cap Screw.....	M10x50.....	2
71.....	C6140W-04714.....	Cover.....		1
72.....	GB818.....	Cross Recessed Pan Head Screw.....	M5x8.....	2
73.....	GB70.....	Hex Socket Cap Screw.....	M10x30.....	2
74.....	GB73.....	Slotted Set Screw.....	M8x20.....	1
75.....	GB119.....	Pin.....	6x35.....	1
76.....	C6256C-04703.....	Splash Guard.....		1
77.....	C6140W-04722.....	Clamping Block.....		1
78.....	Q81-1.....	Spring.....	1.6x10x24.....	2
79.....	GB65.....	Slotted Socket Cap Screw.....	M6x30.....	2
80.....	C6266C-04727.....	Gib Adjusting Screw.....		2
82.....	C6266C-04502.....	Liner.....		1
83.....	C6266C-04729.....	Cover Plate.....	1.6x10x24.....	2
84.....	GB5781.....	Slotted Socket Cap Screw.....	M6x12.....	4

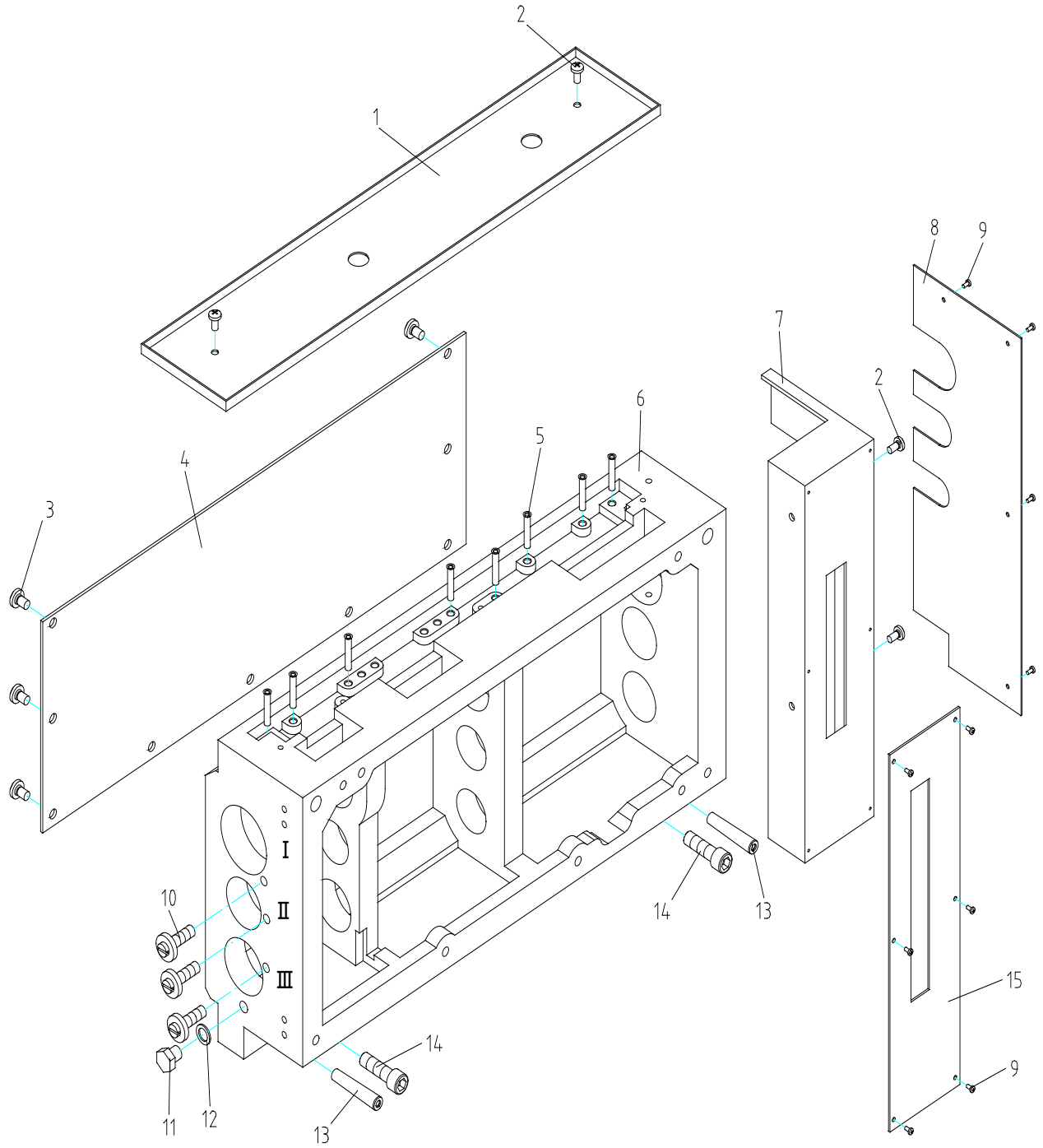
# Carriage Assembly II



## Carriage Assembly II

Index No.	Part No.	Description	Size	Qty.
1	C6250B-04103	Revolving Plate		1
2	GB6170	Hex Nut	M12	4
3	C6250B-04702	Compound Screw		4
4	C6266C-04707	Shaft		1
5	C6140W-04737	Handle		2
6	C6140W-04738	Lever		1
7	GB117	Taper Pin	.5x30	1
8	GB812	Round Nut	M18x1.5	2
9	C6140W-04110	Dial		1
10	C6140W-04739	Spring Leaf		1
11	C6140W-04740	Dial	Metric	1
12	51104	Thrust Bearing	20x35x10	2
13	GB117	Taper Pin	4x25	2
14	GB70	Hex Socket Cap Screw	M5x14	3
15	C6140W-04111	Bearing		1
16	GB1099	Half Circle Key	.5x7.5x19	1
17	C6140W-04741	Lead Screw	Metric	1
18	C6266C-04301Y	Nut	Metric	1
19	GB77	Hexagon Socket Set Screws	M12x70	1
21	GB1155	Oil Cup	10	1
22	C6250B-04104	Longitudinal Slide		1
23	GB1155	Oil Cup	6	3
24	C6266C-04717	Slide Gib		1
25	C6266C-04716	Adjust Screw		1
26	GB73	Slotted Set Screw	M10x20	2
27	C6140W-04727	Washer		4
28	C6140W-04728	Positioning Sleeve		4
29	C6266C-04708	Tool Post		1
30	GB83	Square Cap Bolt	M16x50	12
31	C6266C-04715	Positioning Pin		1
32	Q81-1	Spring	1.6x8x98	2
33	C6266C-04712	Spline		1
34	C6266C-04709	Flange Disc		1
35	C6140W-04732	Bolt		1
36	GB70	Hex Socket Cap Screw	M8x16	2
37	C6266C-04710	Adjust Washer		1
38	Q81-1	Spring	3x32x55	1
39	C6266C-04711	Handle		1
40	GB119	Pin	5n6x32	1
41	C6266C-04106	Lever Support		1
42	GB117	Taper Pin	4x40	1
43	GB73	Slotted Set Screw	M12x14	1
44	GB308	Boll	19	1
45	C6266C-04713	Connector		1
46	C6266C-04714	Connector		1

# Gear Box Assembly I

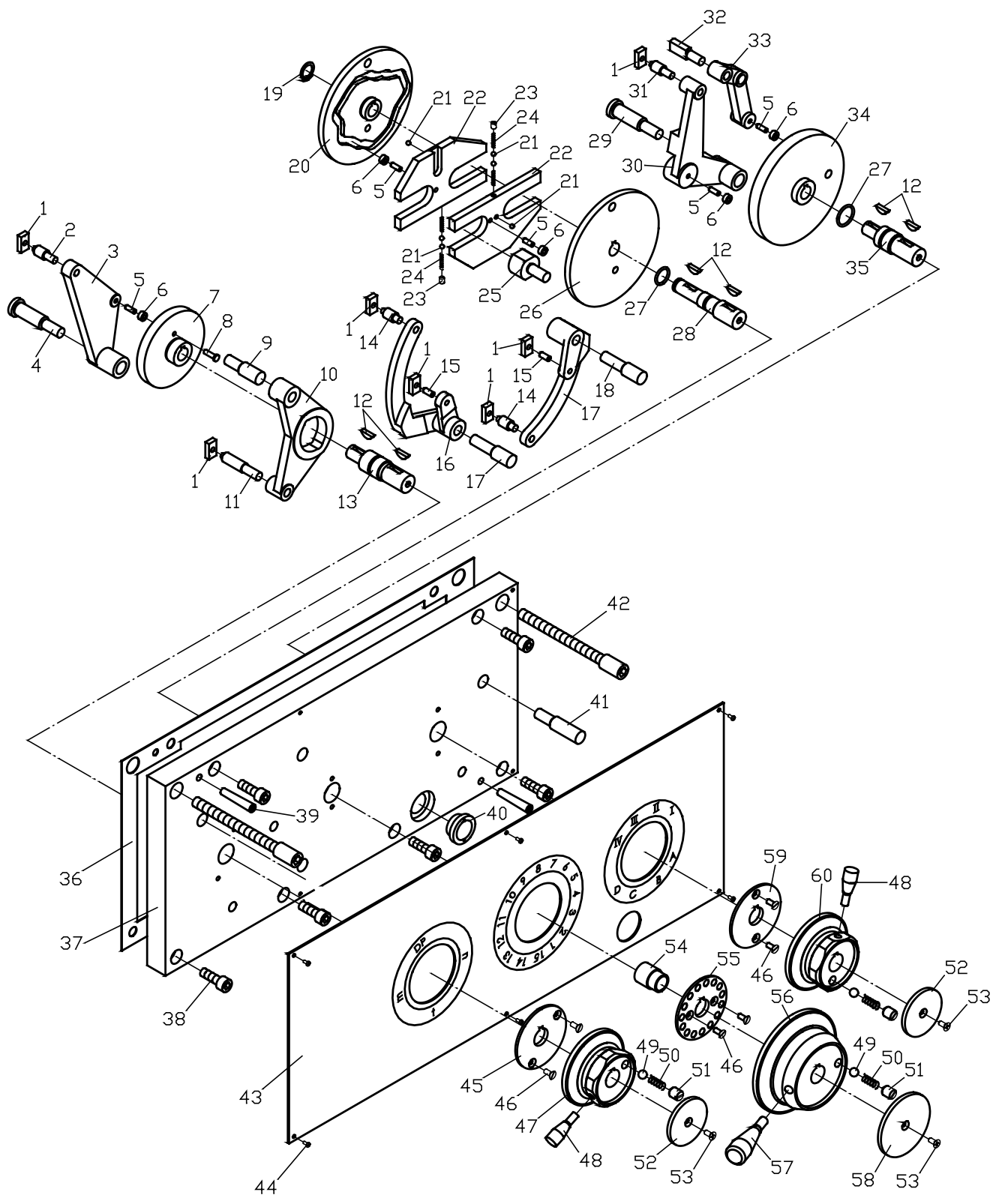


## Gear Box Assembly I

Index No.	Part No.	Description	Size	Qty.
1	C6140W-05504	Upper Cover		1
2	GB70	Hex Socket Cap Screw	M6x40	2
3	GB818	Cross Recessed Pan Head Screws	M8x12	9
4	C6140W-05729	Back Cover		1
5	C6140W-05302	Copper Pipe		12
6	C6140W-05101	Feed Box Casting		1
7	C6140W-05766	Casting		1
8	C6140W-05765	Side Splash Guard		1
9	GB818	Cross Recessed Pan Head Screws	M3x6	8
10	C6140W-05728	Bolt With Washer		3
11	G38-2A	Bolt	M12x1.5	1
12	G52-1	Washer	12	1
13	GB118	Taper Pin	10x60	2
14	GB70	Hex Socket Cap Screw	M12x40	2
15	C6140W-05303	Panel		1



# Gear Box Assembly II

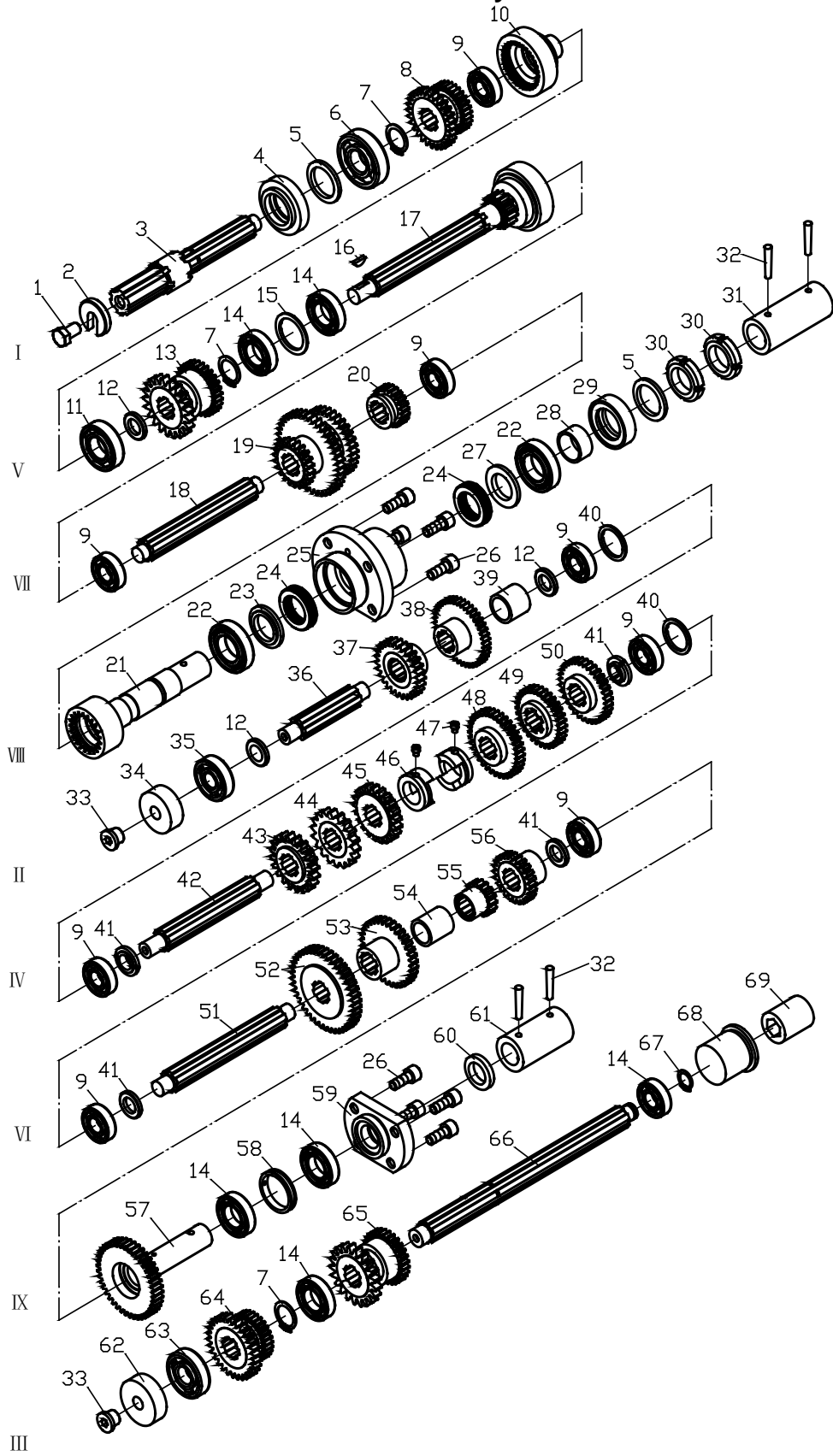


## Gear Box Assembly II

Index No.	Part No.	Description	Size	Qty.
1	C6140W-05109	Sliding Block		7
2	C6140W-05701	Shaft		2
3	C6140W-05105	Ratio Change Rocker		1
4	C6140W-05709	Rocker Shaft		2
5	GB119	Pin	5x14	6
6	C6140W-05720	Roller		6
7	C6140W-05708	Cam		1
8	C6140W-05703	Roller Shaft		1
9	C6140W-05702	Shaft		1
10	C6140W-05103	Rocker		1
11	C6140W-05710	Shaft		1
12	GB1099	Key	5x19	6
13	C6140W-05707	Shaft		1
14	C6140W-05711	Shaft		1
15	GB119	Pin	6x14	2
16	C6140W-05110	Shaft		1
17	C6140W-05106	Upper Rocker		1
18	C6140W-05712	Shaft		1
19	GB894.1	C-clip For Shaft	16	1
20	C6140W-05717	Cam		1
21	GB308	Steel Ball	5	6
22	C6140W-05719	Pulley		2
23	GB73	Set Screw	M6x8	2
24	Q81-1	Spring	0.6x4 x20	4
25	C6140W-05718	Positioning Column		1
26	C6140W-05109	Sliding Block		1
27	G51-2A	Ring Seal	25 x2.4	2
28	C6140W-05716	Handle Axle		1
30	C6140W-05112	Rocker		1
31	C6140W-05721	Shaft		1
32	C6140W-05722	Shaft		1
33	C6140W-05111	Rocker		1
34	C6140W-05725	Cam		1
35	C6140W-05723	Shaft		1
36	C6140W-05501	Washer		1
37	C6140W-05115	Front Cover		1
38	GB70	Hex Socket Cap Screw	M10x30	6
39	GB118	Pin	8x50	2
40	C6140W-GBA40	Oil Sight Glass		1
41	C6140W-05721	Shaft		1
42	C6140W-05727	Hex Socket Cap Screw		1
43	C6140W-05301	Panel		1
44	GB818	Cross Recessed Pan Head Screws	M3x6	6
45	C6140W-05704	Positioning Disc		1
46	GB68	Slotted Head Screws	M6x12	6
47	C6140W-05104	Lever Support		1
48	C6140W-05705	Lever		2
49	GB308	Steel Ball	10	3

50.....	Q81-1.....	Spring .....	1.6x8 x28.....	3
51.....	GB73.....	Slotted Set Screws .....	M12x14.....	3
52.....	C6140W-05706.....	Disk.....		2
53.....	GB819.....	Cross Recessed Head Screws.....	M5x12.....	3
54.....	C6140W-05108.....	Sleeve.....		1
55.....	C6140W-05713.....	Positioning Disc.....		1
56.....	C6140W-05107.....	Lever Support.....		1
57.....	C6140W-05714.....	Lever.....		1
58	C6140W-05715.....	Cover .....		1
59	C6140W-05724.....	Positioning Disc.....		1
60	C6140W-05113.....	Lever Support.....		1

# Gear Box Assembly III

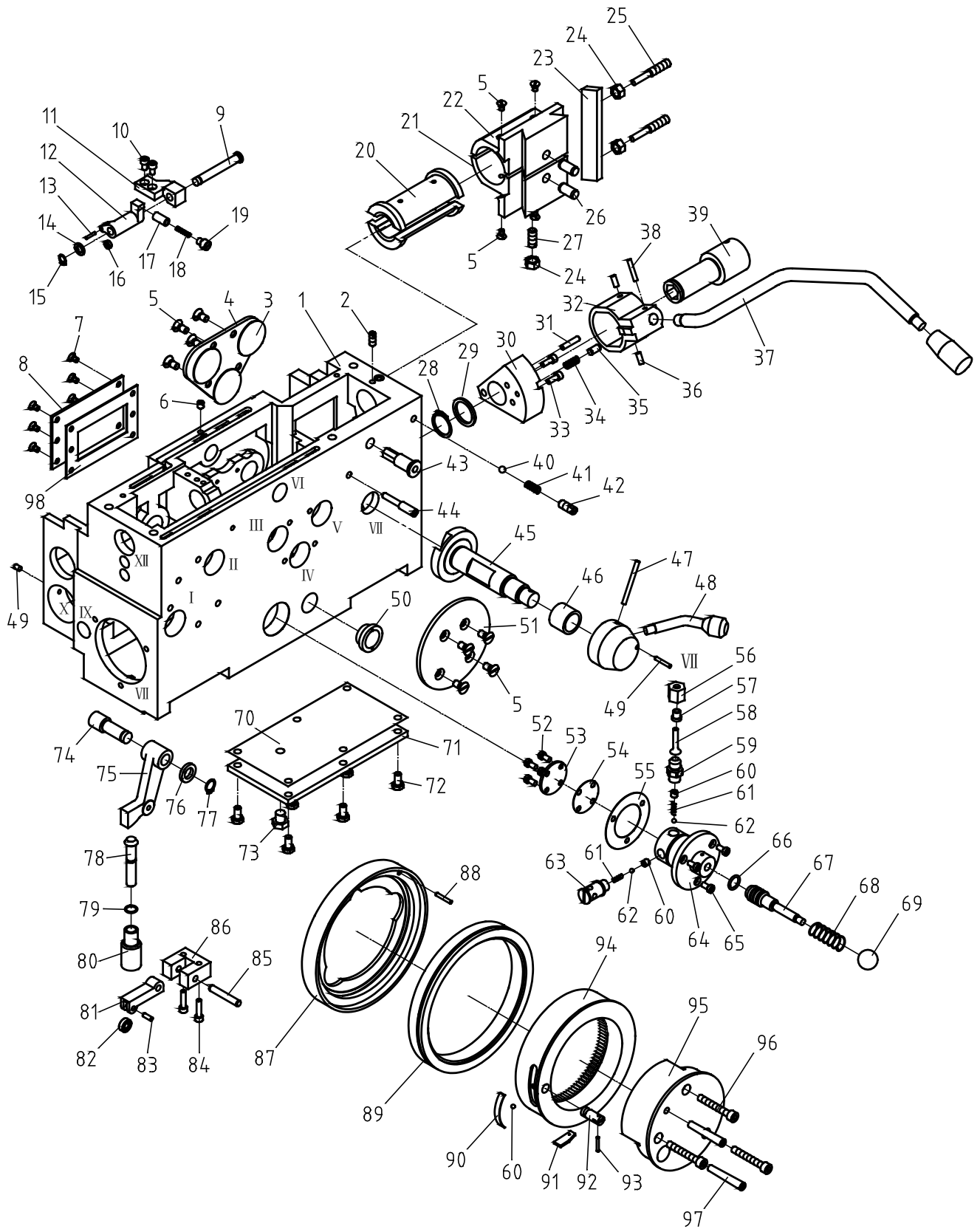


## Gear Box Assembly III

Index No.	Part No.	Description	Size	Qty.
1	GB5783	Hexagon Head Bolts	M12x20	1
2	GB851	Washers with Split	A12x40	1
3	C6140W-05730	I Shaft		1
4	C6140W-05116	Bearing Cover		1
5	G51-1	Felt Washer	35	2
6	6305	Bearing	25x62x17	1
7	GB894.1	C-clip For Shaft	25	3
8	C6140W-05731	Double Gear		1
9	6203	Spring	17x40x12	7
10	C6140W-05732	Gear		1
11	6205	Spring	25x52x15	1
12	C6140W-05127	Washer		3
13	C6140W-05733	Double Gear		2
14	6005	Spring	25x47x12	4
15	C6140W-05736	Sleeve		2
16	GB1099	Key	4x16	1
17	C6140W-05735	V Shaft		1
18	C6140W-05738	VII Shaft		1
19	C6140W-05737	Triple Gear		1
20	C6140W-05739	Gear		1
21	C6140W-05743	VIII Shaft		1
22	16006	Spring	30x55x9	2
23	C6140W-05740	Sleeve		2
24	51106	Spring	30x47x11	2
25	C6140W-05117	Flange Sleeve		1
28	C6140W-05118	Sleeve		1
29	C6140W-05741	Bearing Cover		1
30	C6140W-05742	Round Nut		2
31	C6140W-05119	Shaft		1
32	GB117	Taper Pin	6x40	4
33	G38-4A	Plug	M16x1.5	2
34	C6140W-05128	Bearing Cover		1
35	6303	Spring	17x47x14	1
36	C6140W-05762	II Shaft		1
37	C6140W-05763	Gear		1
38	C6140W-05764	Gear		1
39	C6140W-05125	Sleeve		1
40	C6140W-05751	Sleeve		2
41	C6140W-05752	Adjust Washer		4
42	C6140W-05754	IV Shaft		1
43	C6140W-05759	Gear		1
44	C6140W-05758	Gear		1
45	C6140W-05757	Gear		1
46	C6140W-05734	Positioning Sleeve		1
47	GB75	Slotted Set Screws	M8x10	2
48	C6140W-05756	Gear		1
49	C6140W-05755	Gear		1

48	C6140W-05753.....	Gear.....	1
52	C6140W-05750.....	Gear.....	1
53	C6140W-05748.....	Gear.....	1
54	C6140W-05124.....	Sleeve.....	1
55	C6140W-05747.....	Gear.....	1
56	C6140W-05746.....	Gear.....	1
57	C6140W-05745.....	IX Shaft.....	1
58	C6140W-05744.....	Sleeve.....	1
59	C6140W-05121.....	Flange Sleeve.....	1
60	G51-1.....	Felt Washer .....25	1
61	C6140W-05120.....	Shaft Connector.....	1
62	C6140W-05126.....	Bearing Cover.....	1
63	6304.....	Spring .....20x52x15	1
64	C6140W-05761.....	Double Gear.....	1
66	C6140W-05760.....	III Shaft.....	1
67	GB894.1.....	C-clip For Shaft.....17	1
68	C6140W-05123.....	Sleeve.....	1
69	C6140W-05122.....	Sleeve.....	1

# Apron Assembly I



## Apron Assembly I

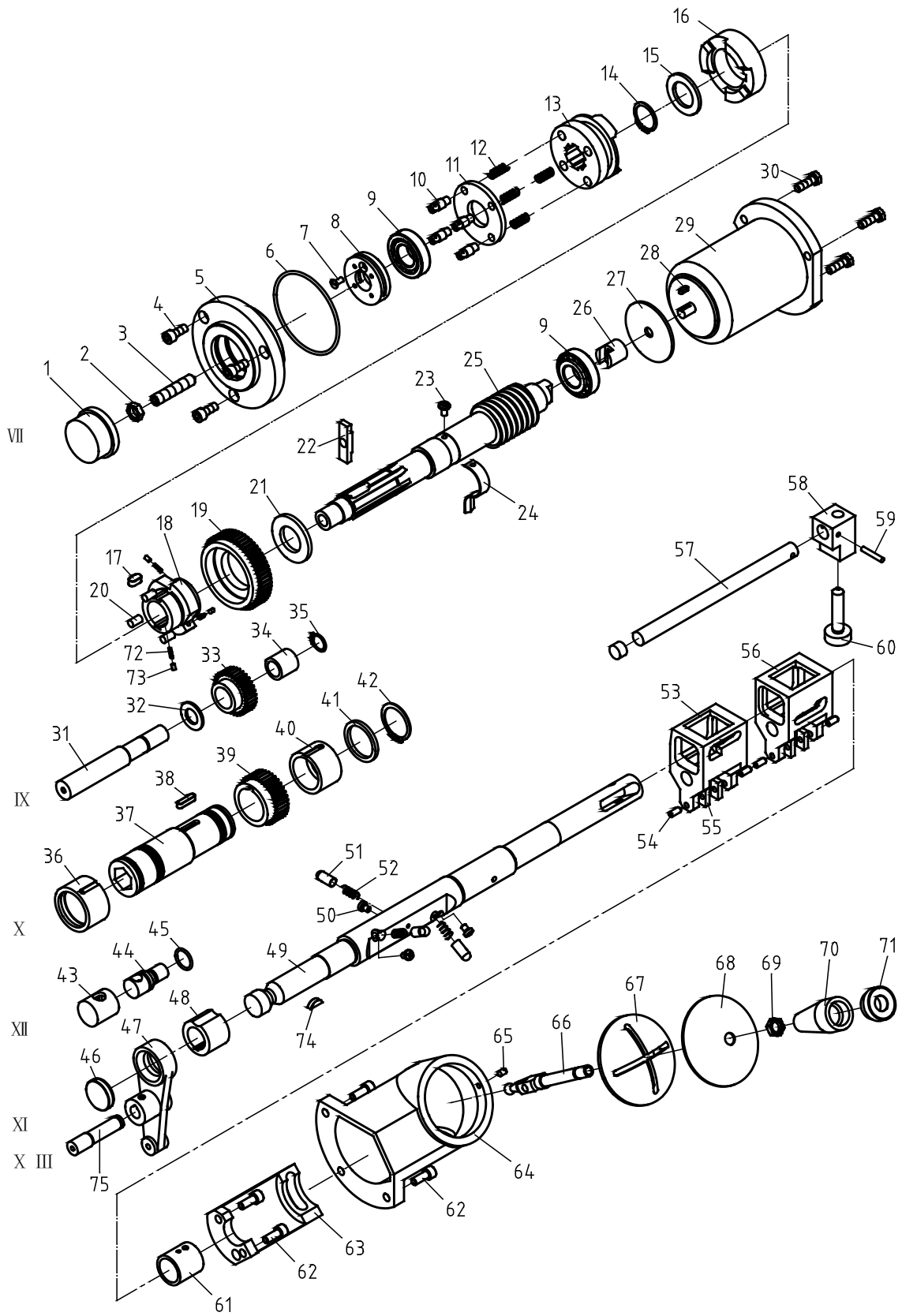
Index	Part			
No.	No.	Description	Size	Qty.
1	C6266C-06101	Apron Casting		1
2	GB71	Set Screw	M8x10	1
3	C6266C-06506	Washer		3
4	C6140W-06750	Back Cover		1
5	GB819	Cross Recessed Head Screw	M8x16	8
6	GB3452.1	Ring Seal	8.75x1.8G	1
7	GB68	Slotted Head Screw	M6x10	1
8	C6140W-06731	Cover		1
9	C6266C-06719	Small Shaft		1
10	GB70	Hex Socket Cap Screw	M6x10	2
11	C6266C-06718	Limiting Support		1
12	C6266C-06108	Rocker		1
13	GB119	Pin	3n6x12	1
14	C6266C-06720	Washer		1
15	GB894.1	C-clip For Shaft	10	1
16	623	Bearing	3x10x4	1
17	C6266C-06729	Pin		1
18	Q81-1	Spring	1.2x6x28	1
19	GB75	Slotted Socket Set Screw	M12x16	1
20	C6140W-06302(m)	Half Nut		1
	C6266C-06306(in)	Half Nut		1
21	C6140W-06107	Upper Nut		1
22	C6140W-06108	Lower Nut		1
23	C6140W-06759	Gib		1
24	GB6170	Hex Nut	M10	2
25	C6140W-06758	Cylindrical End Set Screw		1
26	GB119	Pin	12x25	2
27	GB73	Slotted Set Screw	M10x25	1
28	GB894.1	C-clip For Shaft	30	1
29	C6140W-06755	Washer		1
30	C6266C-06105	Positioning Block		1
31	GB117	Taper Pin	6x35	1
32	C6266C-06106	Lever Support		1
33	GB70	Hex Socket Cap Screw	M6x16	2
34	Q81-1	Spring	1.2x8x22	1
35	GB119	Pin	8x14	1
36	GB119	Pin	6n6x18	2
37	C6266C-06711	Control Handle		1
38	GB117	Taper Pin	5x30	1
39	C6266C-06710	Positioning Sleeve		1
40	GB308	Steel Ball	10	1
41	Q81-1	Spring	1.5x8x35	1
42	GB73	Slotted Set Screw	m12x14	1
43	C6266C-06A780	Positioning Sleeve		1
44	C6140W-06716	Bolt		1
45	C6140W-06725	VII Shaft		1
46	C6140W-06303	Sleeve		1



47.....	GB119.....	Pin.....	5x60.....	1
48.....	C6266C-06716.....	Handle.....		1
49.....	GB119.....	Pin.....	5x25.....	1
50.....	R51-2.....	Oil Sight Glass.....	20.....	1
51.....	C6140W-06760.....	Front Cover.....		1
52.....	GB65.....	Slotted Socket Cap Screw.....	M6x10.....	4
53.....	C6266C-06713.....	Pump Cover.....		1
54.....	C6266C-06505.....	Washer.....		1
55.....	C6266C-06504.....	Washer.....		1
56.....	Y91-1A.....	Nut.....	8.....	1
57.....	C6266C-06727.....	Sleeve.....		1
58.....	T3-M.....	Copper Pipe.....	Ø6x0.75x450.....	1
59.....	C6266C-06726.....	Valve.....		1
60.....	C6266C-06714.....	Adjust Bolt.....		2
61.....	Q81-1.....	Spring.....	0.3x3x12.....	2
62.....	GB308.....	Steel Ball.....	5.....	2
63.....	C6266C-06715.....	Oil Purifier.....		1
64.....	C6266C-06107.....	Pump.....		1
65.....	GB65.....	Slotted Socket Cap Screw.....	M6x12.....	3
66.....	G51-2A.....	Ring Seal.....	20x2.4.....	1
67.....	C6266C-06712.....	Piston-rod.....		1
68.....	Q81-1.....	Spring.....	1.2x19x70.....	1
69.....	GB4141.11.....	Ball.....	M8x25.....	1
70.....	C6266C-06502.....	Washer.....		1
71.....	C6266C-06103.....	Button Cover.....		1
72.....	GB70.....	Hex Socket Cap Screw.....	M8x12.....	6
73.....	GB38-2.....	Drain Plug.....	M12x1.5.....	1
74.....	C6266C-06725.....	Shaft.....		1
75.....	C6266C-06109.....	Rocker.....		1
76.....	C6266C-06724.....	Washer.....		1
77.....	GB894.1.....	C-clip For Shaft.....	15.....	1
78.....	C6266C-06721.....	Rod.....		1
79.....	G51-2A.....	Ring Seal.....	12x1.9.....	1
80.....	C6266C-06723.....	Sleeve.....		1
81.....	C6266C-06722.....	Block.....		1
82.....	606.....	Bearing.....	6x17x6.....	1
83.....	GB119.....	Pin.....	5n6x15.....	1
84.....	GB75.....	Slotted Socket Set Screw.....	M5x16.....	2
85.....	GB119.....	Pin.....	8n6x45.....	1
86.....	C6266C-06110.....	Positioning Block.....		1
87.....	C6140W-06116(m).....	Bracket Disk.....		1
.....	C6266C-06116(in).....	Bracket Disk.....		1
88.....	GB119.....	Pin.....	6x25.....	1
89.....	C6140W-06761(m).....	Dial.....		1
.....	C6266C-06761(in).....	Dial.....		1
90.....	C6140W-06769.....	Spring Leaf.....		1
91.....	C6140W-06767.....	Locked Knob.....		1
92.....	C6140W-06768.....	Eccentric Shaft.....		1
93.....	GB119.....	Pin.....	3n6x22.....	1
94.....	C6140W-06762(m).....	Gear.....		1
.....	C6266C-06762(in).....	Gear.....		1

95.....	C6140W-06117(m) .....	Bracket .....	1
	..... C6266C-06117(in) .....	Bracket .....	1
96.....	GB70.....	Hex Socket Cap Screw .....	M8x55..... 1
97.....	GB119.....	Pin.....	12n6x40..... 1
98.....	C6266C-06501 .....	Liner.....	1

# Apron Assembly II

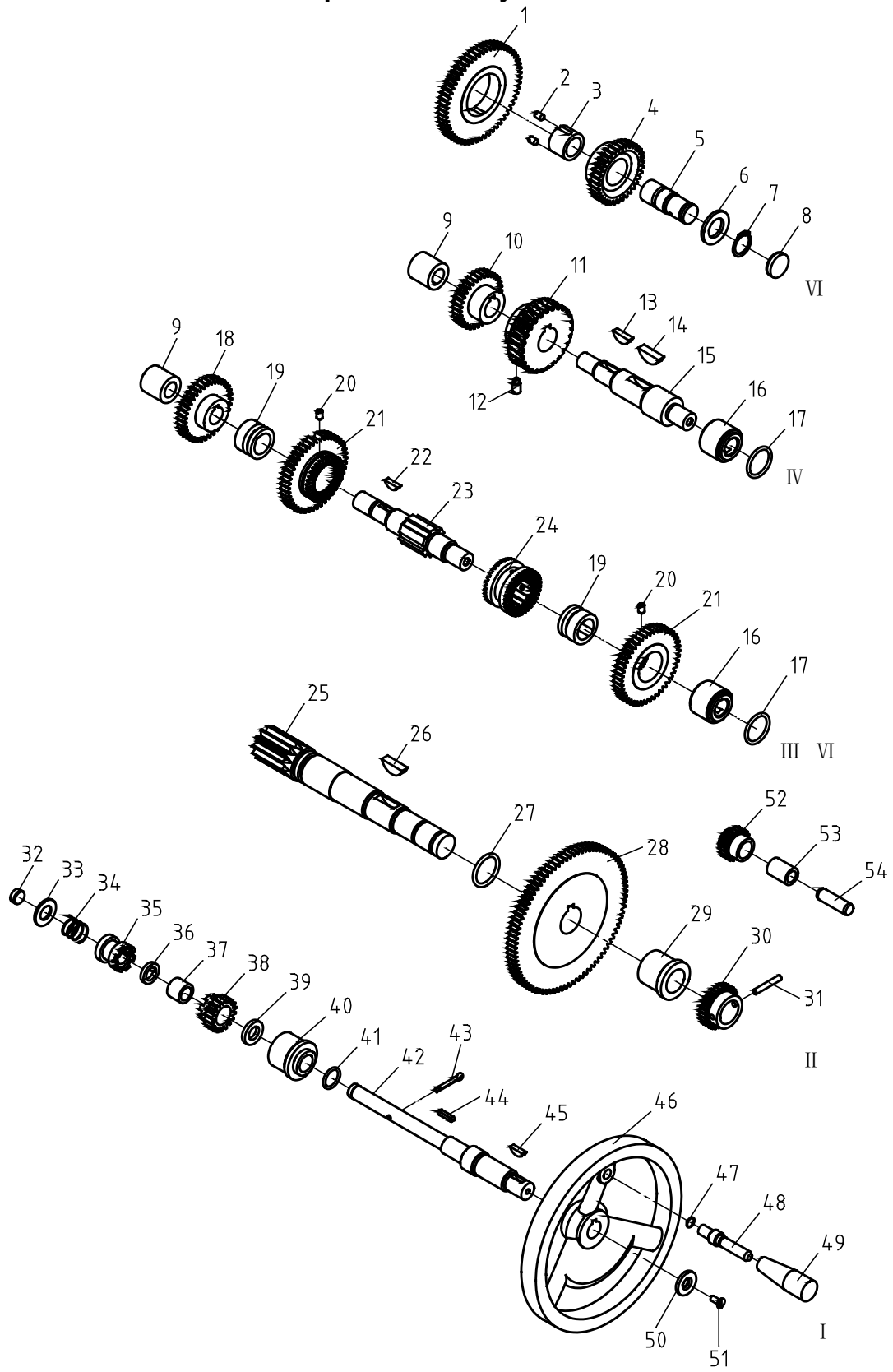


## Apron Assembly II

Index No.	Part No.	Description	Size	Qty.
1	C6140W-06738	Adjust Knob		1
2	GB6172	Hex Flat Nut	M12	1
3	GB78	Hex Set Screw	M12x60	1
4	GB70	Hex Socket Cap Screw	M8x20	3
5	C6140W-06111	Flange		1
6	G51-2A	Ring Seal	93x3.1	1
7	GB68	Slotted Head Screw	M5x12	1
8	C6140W-06739	Adjust C-clip		1
9	30502/P6	Bearing	25x52x15	2
10	C6266C-06734	Bolt		4
11	C6140W-06740	Washer		1
12	Q81-1	Spring	1x10x35	4
13	C6266C-06707	Clutch		1
14	GB894.1	C-clip For Shaft	30	1
15	C6266C-06708	Washer		1
16	C6266C-06706	Clutch		1
17	GB1096	Flat Key	8x16	1
18	C6140W-06708	Star Gear		1
19	C6140W-06709	Gear		1
20	C6140W-06726	Pin		3
21	C6140W-06710	Washer		1
22	C6140W-06737	Block		1
23	GB67	Slotted Pan Head Screw	M6x10	1
24	C6140W-06729	Splash Leaf		1
25	C6266C-06209	Worm		1
26	C6140W-06728	Motor Connector		1
27	C6266C-06503	Washer		1
28	YSS56BJ	Motor	300W 1500r/min	1
29	GB1096	Flat Key		1
30	GB5782	Hex Bolt	M8x30	3
31	C6140W-06736	IX Shaft		1
32	C6140W-06735	Washer		2
33	C6140W-06734	Gear		1
34	C6140W-06306	Sleeve		1
35	GB894.1	C-clip For Shaft	16	1
36	C6140W-06305	Sleeve		1
37	C6140W-06733	X Shaft		1
38	GB1096	Flat Key	6x25	1
39	C6140W-06732	Gear		1
40	C6140W-06304	Sleeve		1
41	C6140W-06730	Washer		1
42	GB894.1	C-clip For Shaft	38	1
43	C6266C-6704	Oil Tap Cover		1
44	C6266C-06705	Oil tap	35	1
45	GB895	Steel Wire C-clip		1
46	C6266C-06102	Plug		1
47	C6140W-06103	Fork		1

48.....	C6266C-06703 .....	Limiting Sleeve .....	1
49.....	C6266C-06701 .....	Control Shaft.....	1
50.....	GB67.....	Slotted Pan Head Screw .....	M6x8.....3
51.....	Q81-1.....	Spring .....	1.6x8x22.....3
52.....	C6140W-06701.....	Pin.....	3
53.....	C6140W-06713.....	Left Fork .....	1
54.....	GB119.....	Pin.....	6n6x14.....6
55.....	C6140W-06715.....	Sliding Block .....	6
56.....	C6140W-06714.....	Right Fork .....	1
57.....	C6140W-06717.....	Shaft .....	1
58.....	C6140W-06104.....	Inter-locking Block .....	1
59.....	GB117 .....	Taper Pin .....	5x30.....1
60.....	C6140W-06718.....	Shaft .....	1
61.....	C6266C-06304 .....	Sleeve.....	1
62.....	GB70.....	Hex Socket Cap Screw .....	8x20.....5
63.....	C6140W-06719.....	Bracket .....	1
64.....	C6140W-06105.....	Bracket .....	1
65.....	GB71.....	Slotted Set Screw .....	1
66.....	C6140W-06722.....	Handle .....	M6x10.....1
67.....	C6140W-06106.....	Cross Cover.....	1
68.....	C6140W-06501.....	Washer .....	1
69.....	GB6173.....	Hex Flat Nut.....	M12x1.25.....1
70.....	C6140W-06721.....	Handle .....	1
71.....	C6140W-06720.....	Washer .....	1
72.....	C6140W-06727.....	Pin.....	3
73.....	Q81-1.....	Spring .....	0.3x3x12.....3
74.....	GB1099.....	Half Circle Key.....	5x19.....1
75.....	C6140W-06704.....	XIII Shaft.....	1

# Apron Assembly III



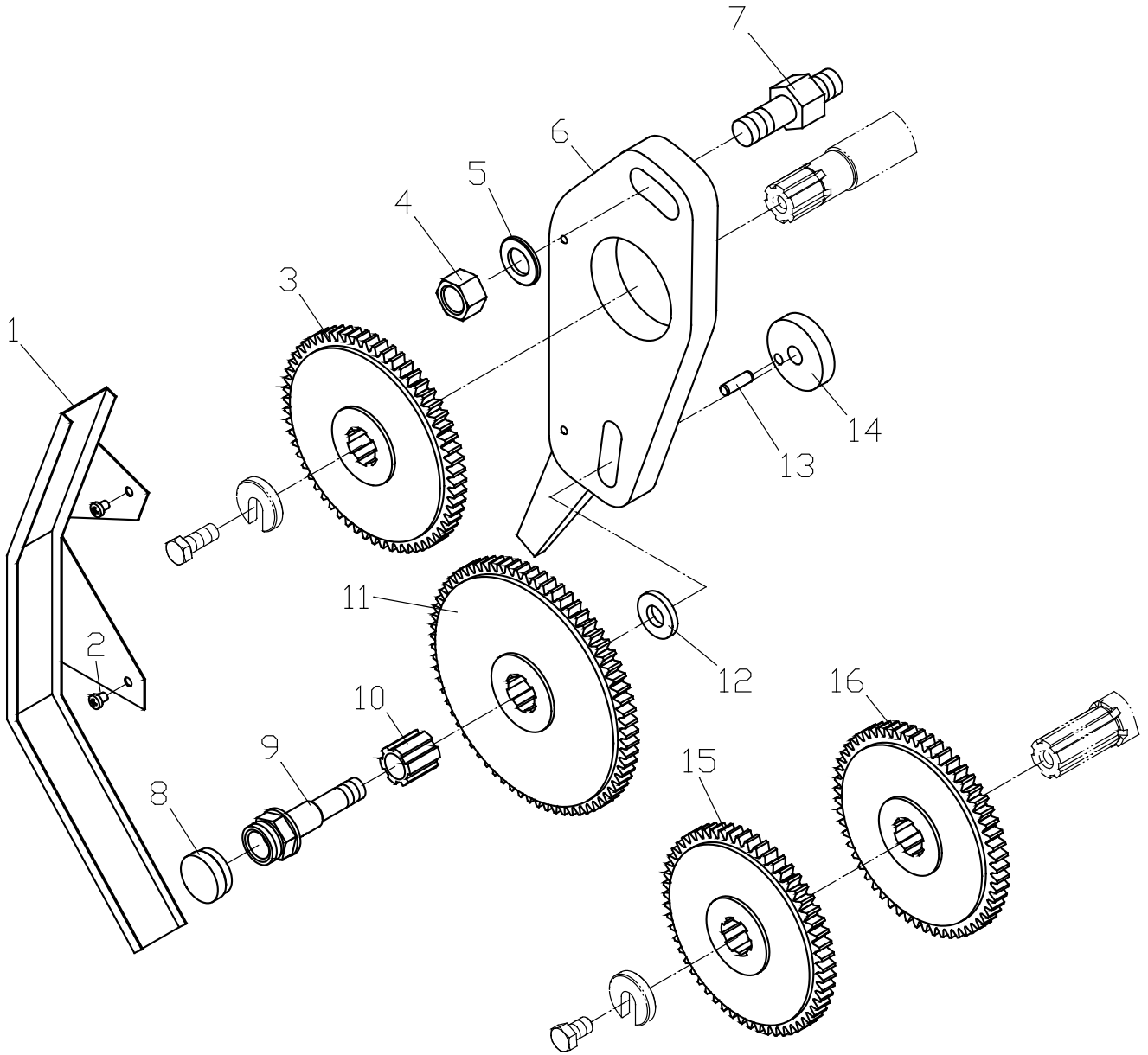
## Apron Assembly III

Index No.	Part No.	Description	Size	Qty.
1	C6140W-06751	Gear		1
2	GB71	Slotted Set Screw	M6x8	2
3	C6140W-06309	Sleeve		1
4	C6140W-06752	Gear		1
5	C6266C-06728	VI Shaft		1
6	C6140W-06754	Washer		1
7	GB894.1	C-clip For Shaft	20	1
8	C6140W-06114	Plug		1
9	C6140W-06113	Sleeve		3
10	C6140W-06749	Gear		1
11	C6140W-06308	Worm Wheel		1
12	GB72	Slotted Set Screw	M8x16	1
13	GB1099	Half Circle Key	6x22	1
14	GB1099	Half Circle Key	8x28	1
15	C6140W-06748	IV Shaft		1
16	C6140W-06115	Sleeve		3
17	G51-2A	Ring Seal	35x3.1	3
18	C6140W-06746	Gear		2
19	C6140W-06307	Sleeve		4
20	GB71	Slotted Set Screw	M6x10	4
21	C6140W-06744	Gear		4
22	GB1099	Half Circle Key	5x16	2
23	C6140W-06747	III Shaft		2
24	C6140W-06745	Connector		2
25	C6140W-06743	II Shaft		1
26	GB1099	Half Circle Key	8x28	1
27	G51-2A	Ring Seal	35x3.1	1
28	C6140W-06742	Gear		1
29	C6140W-06118	Sleeve		1
30	C6140W-06764	Gear		1
31	GB117	Taper Pin	5x35	1
32	C6140W-06112	Plug		1
33	C6140W-06774	Washer		1
34	Q81-1	Spring	1.6x18x25	1
35	C6140W-06773	Connector		1
36	C6140W-06772	Washer		1
37	C6140W-06371	Sleeve		1
38	C6140W-06771	Gear		1
39	C6140W-06770	Washer		1
40	C6140W-06120	Sleeve		1
41	G51-2A	Ring Seal	18x2.4	1
42	C6140W-06775	I Shaft		1
43	C6140W-06774	Washer		1
44	GB1096	Flat Key	4x20	1
45	GB1099	Half Circle Key	5x16	1
46	C6266C-06111	Handle Wheel		1
47	GB895	Steel C-clip	10	1

48.....	C6140W-06766.....	Shaft .....	1	
49.....	C6140W-06765.....	Lever Sleeve.....	1	
50.....	GB891.....	C-clip .....	.5x12.....1	
51.....	GB68.....	Slotted Head Screw.....	.25 .....	1



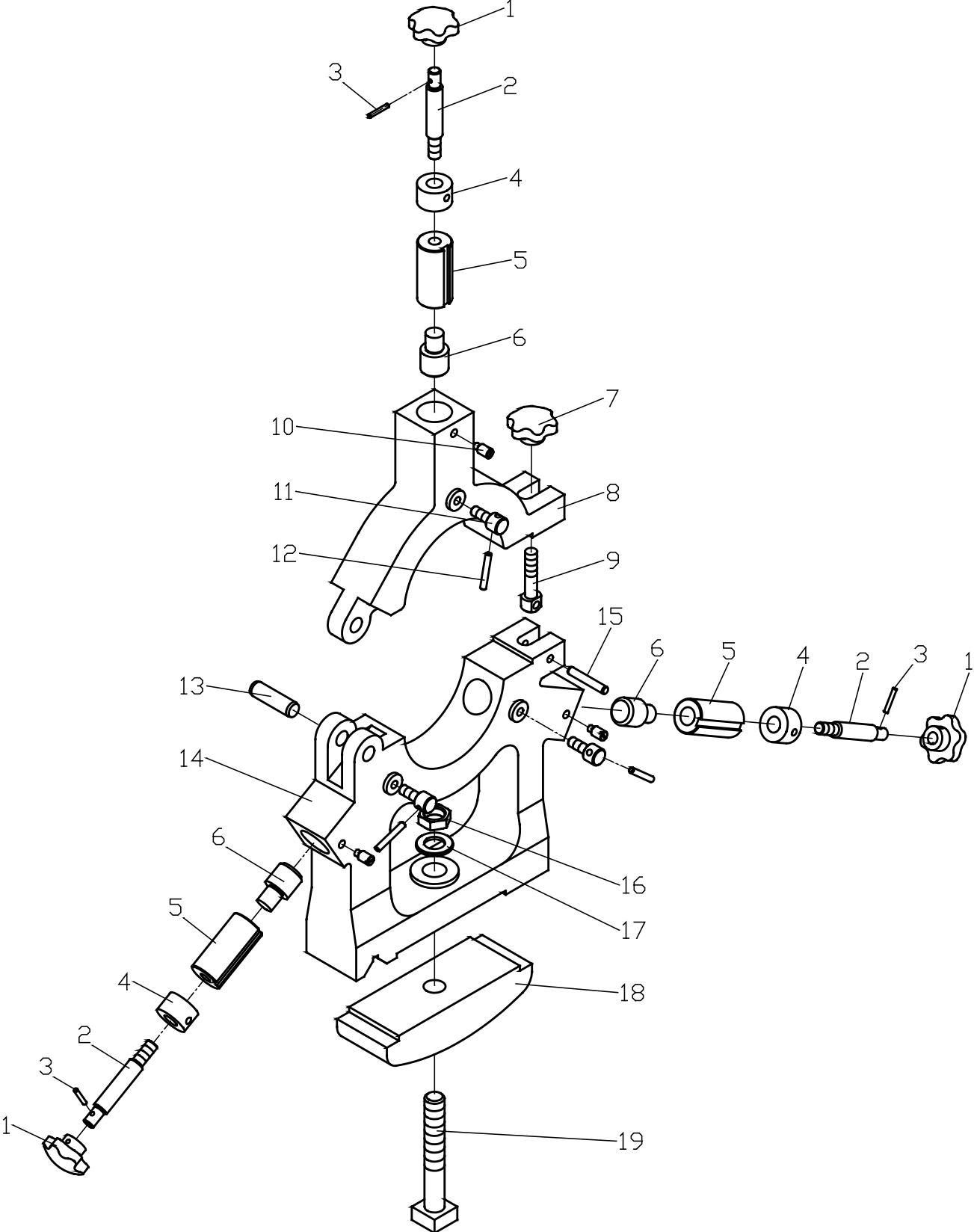
# Gear Assembly



## Gear Assembly

Index No.	Part No.	Description	Size	Qty.
1	C6250B-08701	Splash Guard		1
2	GB818	Screw	M6x10	2
3	C6250B-08702	Gear	2.5m60T	1
4	GB6172	Nut	M20	1
5	GB97.2	Washer	20	1
6	C6250B-08101	Gear Frame		1
7	C6140W-02824	Fixing Rod		1
8	C6140W-08703	Nut Cover		1
9	C6140W-08702	Gear Shaft		1
10	C6140W-08301	Spline Sleeve		1
11	C6250B-08102	Gear	2.5m69T	1
12	C6140W-08701	Washer		1
13	GB119	Pin	8n6x20	1
14	C6140W-08704	Position Nut		1
15	C6250B-08703	Gear	2.5m56T	1
16	C6250B-08704	Gear	2.5m57T	1

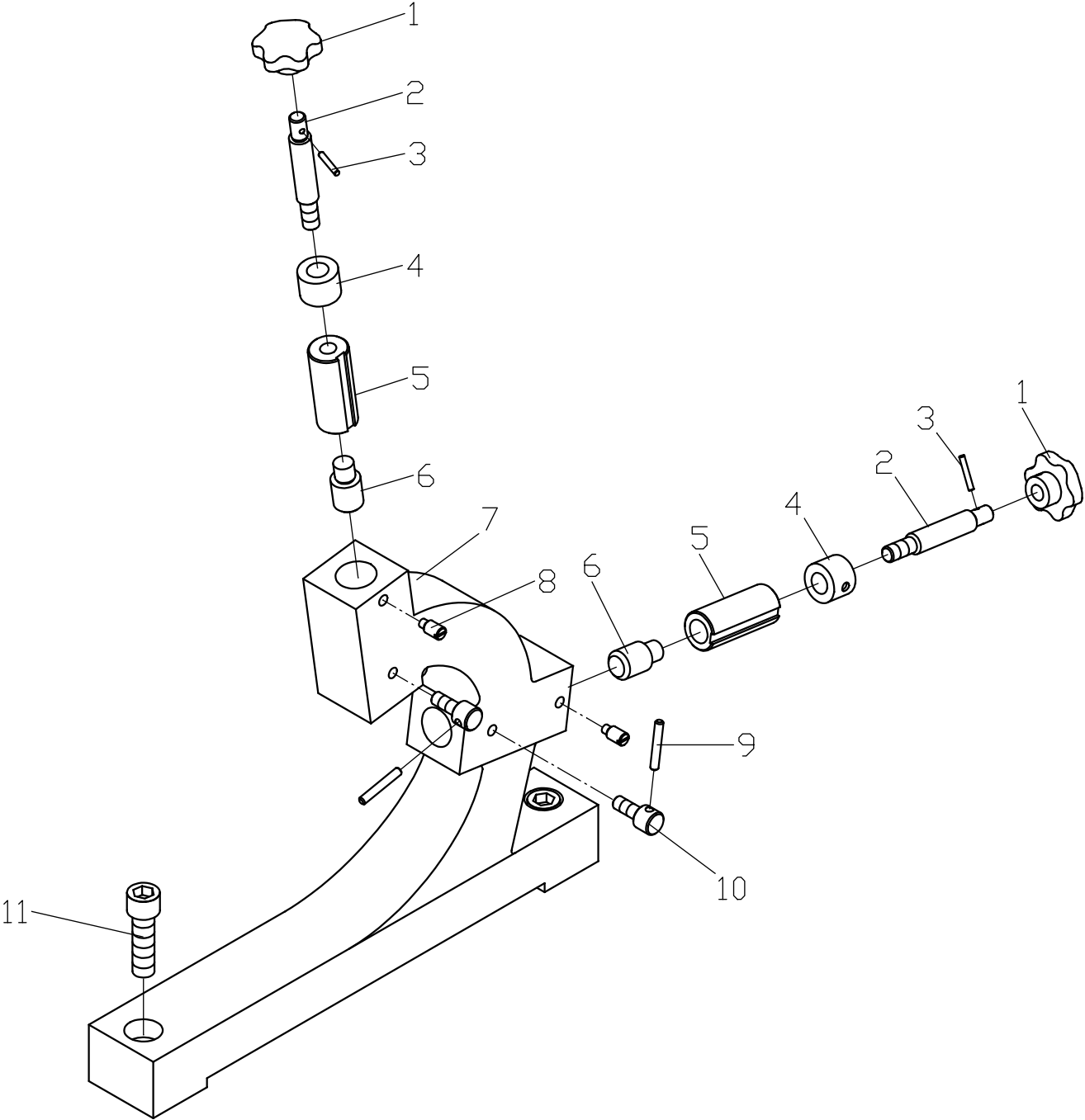
# Steady Rest Assembly



## Steady Rest Assembly

Index No.	Part No.	Description	Size	Qty.
1	GB4141.29	A Type Asterisk Handle	Φ 12	3
2	C6266C-10702	Sliding Sleeve		3
3	GB117	Pin	4x25	3
4	C6266C-10701	Slotted Set Screw		3
5	C6266C-10703	Lever		3
6	C6266C-10301	Locking Screw		3
7	GB4141.29	B Type Asterisk Handle	M12	1
8	C6250B-10A102	Steady Rest Upper Body		1
9	C6140W-10701	Screw		1
10	GB75	Slotted Set Screw	M10x16	3
11	C6140W-10704	Set Screw		3
12	GB119	Pin	A6x45	3
13	GB119	Pin	A16x55	1
14	C6250B-10A101	Steady Rest Lower Body		1
15	GB119	Pin	A8x55	1
16	GB56	Hex Extra Thick Nut	M20	1
17	GB97.2	Washer	20	1
18	C6140W-10104	Clamping Plate		1
19	C6140W-10706	Square Head Bolt		1

# Follow Rest Assembly



## Follow Rest Assembly

Index No.	Part No.	Description	Size	Qty.
1	GB4141.29	A Type Asterisk Handle	Φ12	2
2	C6250B-10701	Screw		2
3	GB117	Pin	4x25	2
4	C6266C-10704	Nut		2
5	C6266C-10706	Sliding Sleeve		2
6	C6266C-10302	Block		2
7	C6250B-10103	Follow Rest Casting		1
8	GB75	Slotted Set Screw	M10x14	2
9	GB119	Pin	6x45	2
10	C6140W-10704	Set Screw		1
11	GB70	Hex Socket Cap Screw	M16x55	2