

J E T

GHB-1340A

METALWORKING LATHE

321357T

400/50/3

**PARTS LIST
ERSATZTEILLISTE
LISTE DE PIECES**

WMH Tool Group AG

Bahnstrasse 24, CH – 8603 Schwerzenbach
www.wmhtoolgroup.ch; info@wmhtoolgroup.ch

Tel +41 (0) 44 806 47 48

Fax +41 (0) 44 806 47 58

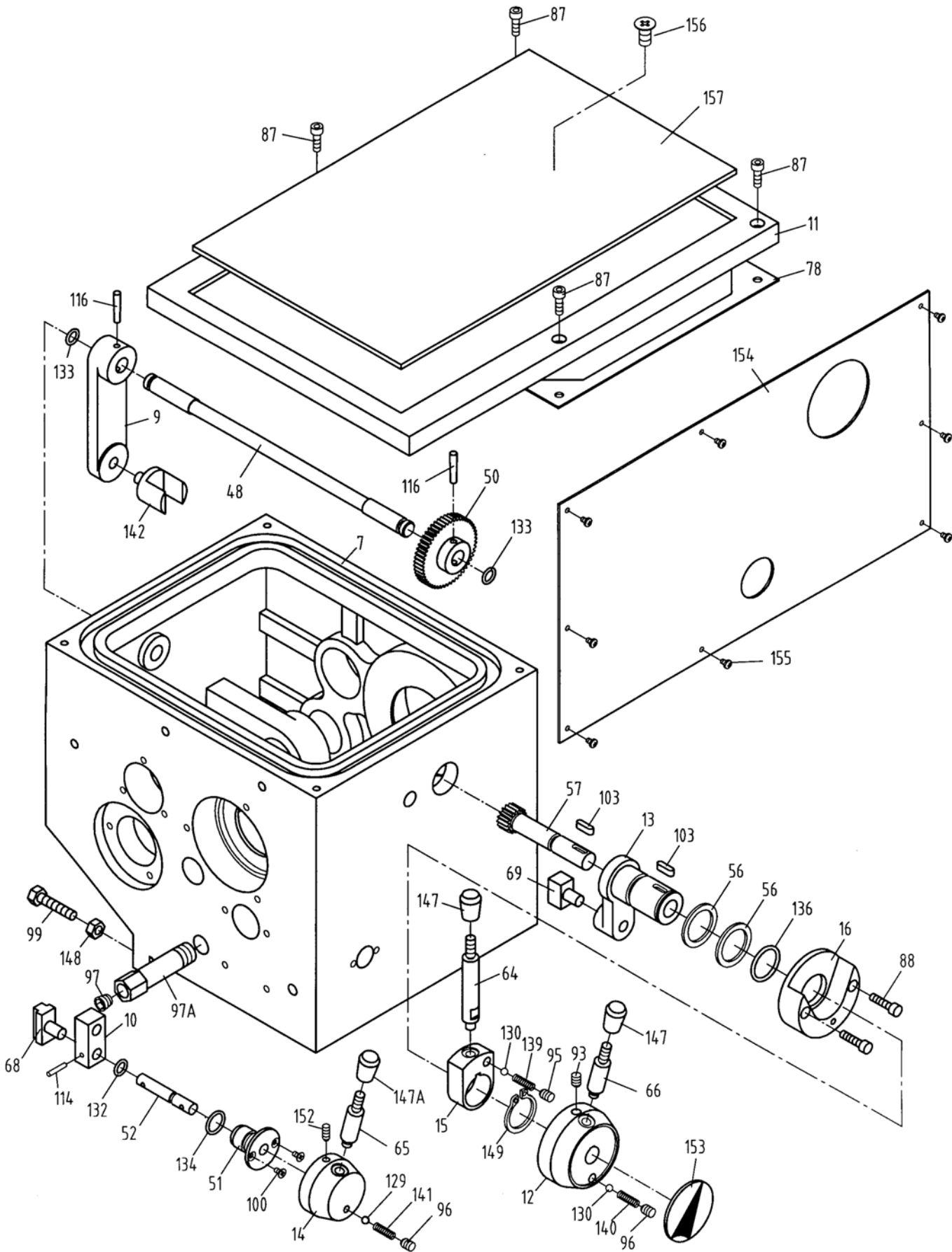


P-321357T 07/23

Table of Contents

Table of Contents	1
GHB-1340A Headstock Assembly I	2-3
GHB-1340A Headstock Assembly II	4-5
GHB-1340A Headstock Assembly III	6-7
Bed Assembly I	8-10
Bed Assembly II	11-12
Gear Assembly I	13-14
Gear Assembly II	15-16
Gear Assembly III	17-18
Apron Assembly I	19-20
Apron Assembly II	21-22
Apron Assembly III	23
Micro Carriage Stop Assembly	24
Top Slide, Tool Post, saddle and Cross Slide Assembly I	25-26
Top Slide, Tool Post, saddle and Cross Slide Assembly II	27-28
Tailstock Assembly I	29-30
Tailstock Assembly II	31-32
Follow Rest	33
Steady Rest	34-35
Additional Parts	36
Additional Electrical Components	36
Electrical Schematic - GHB-1340A	37
Protecting Guards for three Rods	38
Wiring Photo GHB-1340A	39
Safety Guard Cover	40

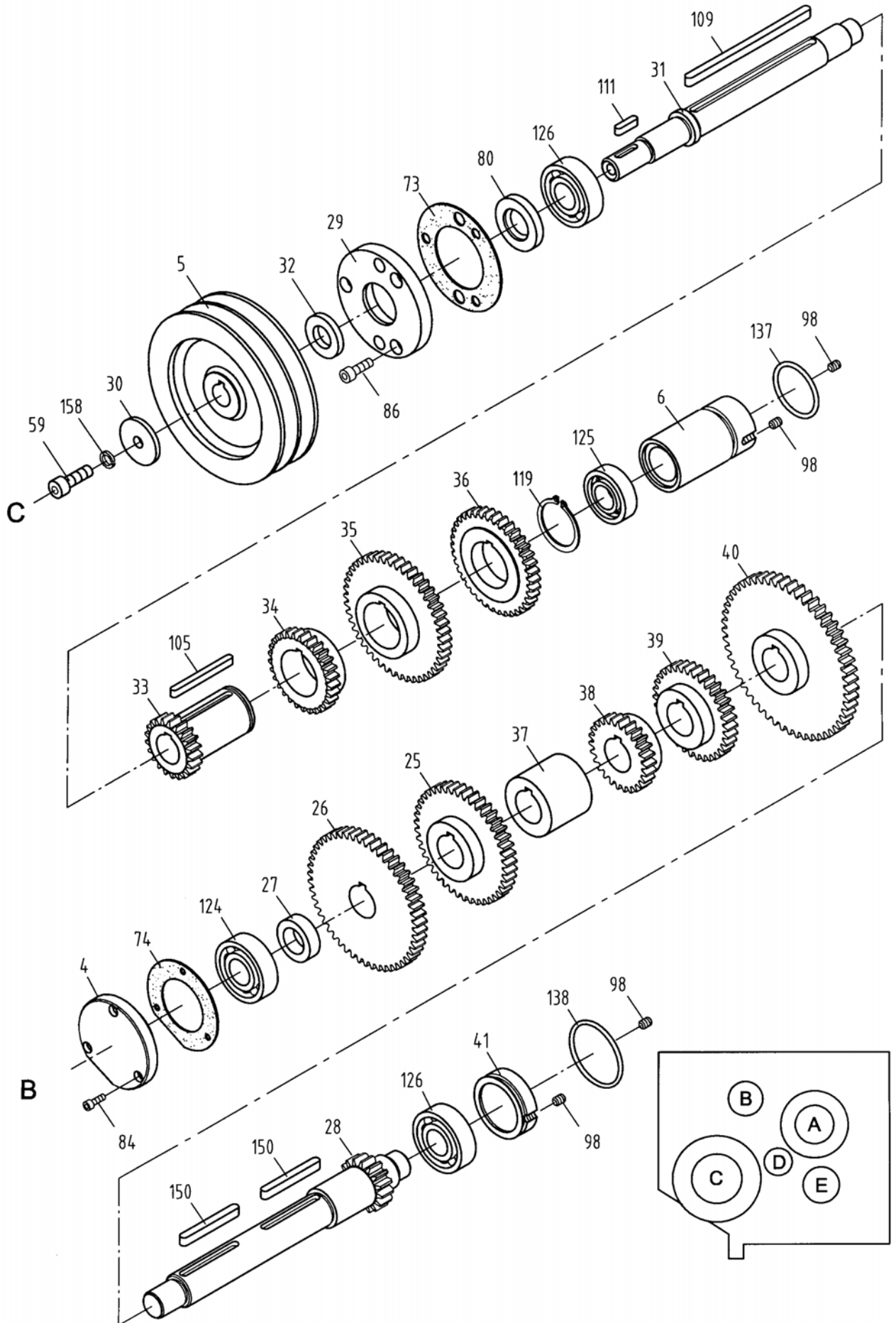
**Breakdown for CE GHB-1340A Metal Lathe
GHB-1340A Headstock Assembly I**



**Parts List for CE GHB-1340A Metal Lathe
GHB-1340A Headstock Assembly I**

Index No.	Part No.	Description	Size	Qty.
7	GHB1340A-02101	Gear Box		1
9	04109	Shift Lever		1
10	04111	Shaft Housing		1
11	GHB1340A-02102	Cover		1
12	GHB1340A-04117	Handle Hub		1
13	04121	Shaft Collar		1
14	GHB1340A-04120	Handle Hub		1
15	GHB1340A-04119	Handle Block		1
16	GHB1340A-04118	Hub		1
48	04232	Shaft		1
50	04234	Gear	1.25m51T	1
51	04235	Collar		1
52	04250	Shaft		1
56	04240	Washer		2
57	04241	Gear Shaft	1.25m17T	1
64	GHB1340A-04248	Handle		1
65	GHB1340A-04248-1	Handle		1
66	GHB1340A-04249	Handle		1
68	04402	Shift Fork		1
69	04403	Shift Fork		1
78	GHB1340-4506	Gasket		1
87	TS-1503051	Hex Socket Cap Screw	M6X20	4
88	TS-1503061	Hex Socket Cap Screw	M6X25	2
93	TS-1523061	Set Screw	M6X18	1
95	TS-1524011	Set Screw	M8X8	1
96	TS-1524021	Set Screw	M6X12	2
97	GHB1340A-97	Plug	Z1/4"	1
97A	GHB1340A-97A	Oil Drain Plug		1
99	TS-1490071	Hex Cap Screw	M8X40	2
100	GHB1340-100	Screw	M4X8	2
103	GHB1340-103	Key	5X15	2
114	GHB1340-114	Pin	4X18	1
116	GHB1340-116	Pin	5X30	2
129	SB-5MM	Steel Ball	5	1
130	SB-6MM	Steel Ball	6	2
132	GHB1340-132	O-Ring	10X1.9	1
133	GHB1340-133	O-Ring	14X2.4	2
134	GHB1340-134	O-Ring	20X2.4	1
136	GHB1340-136	O-Ring	30X3.1	1
139	GHB1340-139	Spring	1X6X7	1
140	GHB1340-140	Spring	1X6X20	1
141	GHB1340-141	Spring	0.6X4.4X20	1
142	04235A	Shift Fork		1
147	GHB1340-147	Knob	M8X40	2
147A	GHB1340-147A	Knob		1
148	TS-1540061	Nut	M8	2
149	GHB1340-120	C-Clip	30	1
152	TS-1523041	Set Screw	M6X12	1
153	GHB1340A-153	Round Sign Plate		1
154	GHB1340A-02301E	Label		1
155	GHB1340A-155	Screw	M3X5	8
156	GHB1340A-156	Screw	M10X18	1
157	GHB1340A-02502	Rubber Mat		1
	GHB1340A-160	Oil Sight Glass (not show)		1

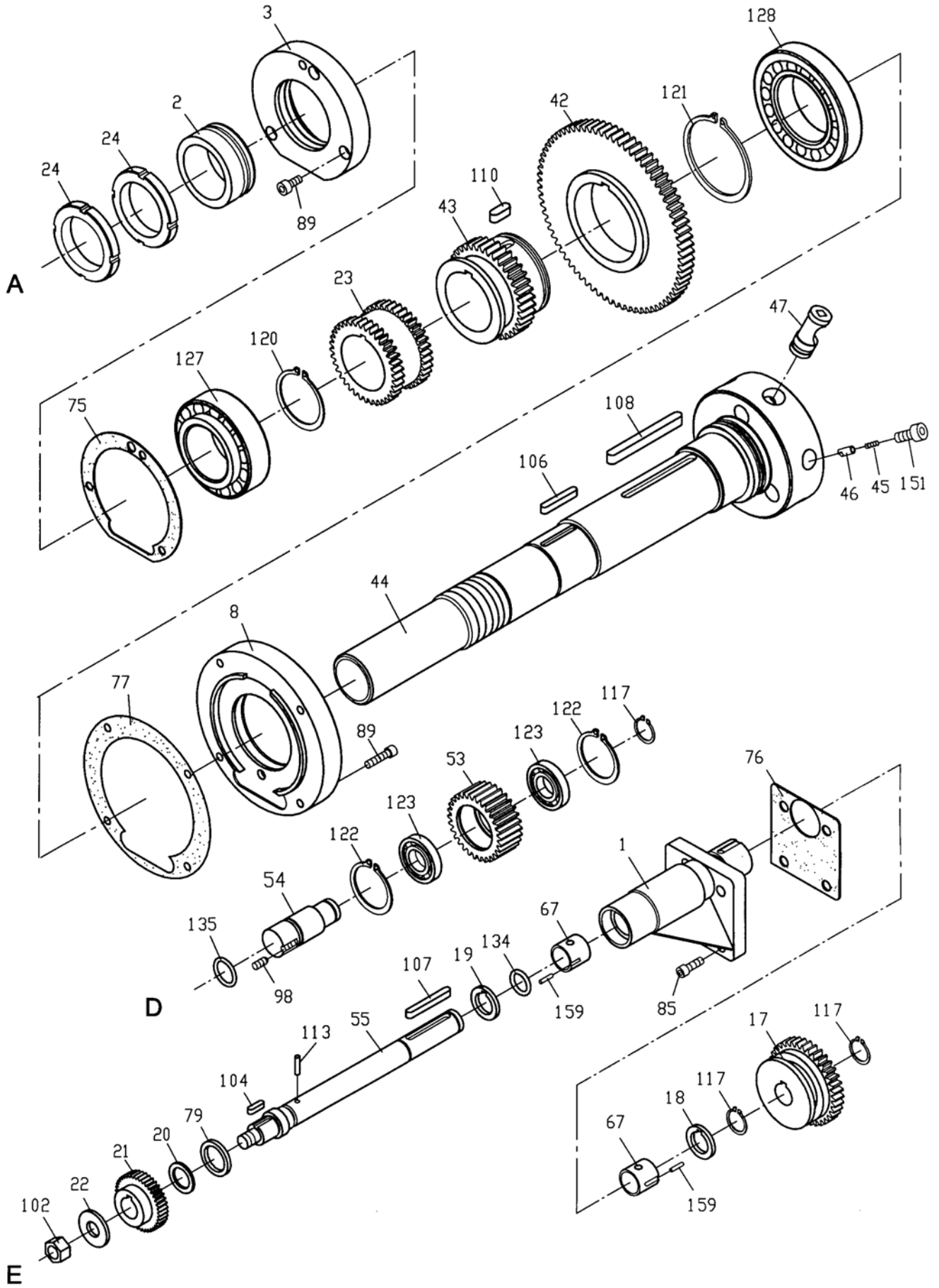
**Breakdown for CE GHB-1340A Metal Lathe
GHB-1340A Headstock Assembly II**



**Parts List for CE GHB-1340A Metal Lathe
GHB-1340A Headstock Assembly II**

Index No.	Part No.	Description	Size	Qty.
4.....	04104Z.....	Rear Cover.....		1
5.....	04105.....	Pulley.....		1
6.....	GHB1340-4106.....	Plug.....		1
25.....	04209.....	Gear.....	2m43T.....	1
26.....	GHB1340-4210.....	Gear.....	2m51T.....	1
27.....	04211.....	Washer.....		1
28.....	04212.....	Gear Shaft.....	2.25m16T.....	1
29.....	04213.....	Cover.....		1
30.....	04214.....	Washer.....		1
31.....	04215.....	Shaft.....		1
32.....	04216.....	Washer.....		1
33.....	04217.....	Collar w/Gear.....	2m21T.....	1
34.....	04218.....	Gear.....	2m29T.....	1
35.....	04219.....	Gear.....	2m46T.....	1
36.....	04220.....	Gear.....	2m38T.....	1
37.....	04221.....	Collar.....		1
38.....	04222.....	Gear.....	2m26T.....	1
39.....	04223.....	Gear.....	2m34T.....	1
40.....	04224.....	Gear.....	2.25m53T.....	1
41.....	04225.....	Plug.....		1
59.....	TS-1504041.....	Socket Head Cap Screw.....	M8X20.....	1
73.....	GHB1340-4501.....	Gasket.....		1
74.....	GHB1340-4502.....	Gasket.....		1
80.....	GHB1340-4508.....	Oil Seal.....	20X40.....	1
84.....	TS-1501041.....	Hex Socket Cap Screw.....	M4X12.....	3
86.....	TS-1503031.....	Hex Socket Cap Screw.....	M6X12.....	3
98.....	TS-1523031.....	Set Screw.....	M6X8.....	4
105.....	GHB1340-105.....	Key.....	5X50.....	1
109.....	GHB1340-109.....	Key.....	6X120.....	1
111.....	GHB1340-111.....	Key.....	5X20.....	1
119.....	GHB1340-119N.....	C-Clip.....	35.....	1
124.....	GHB1340-124.....	Bearing.....	20X47X14.....	1
125.....	GHB1340-125.....	Bearing.....	17X40X12.....	1
126.....	GHB1340-126.....	Bearing.....	20X47X14.....	2
137.....	GHB1340-137.....	O-Ring.....	40X3.1.....	1
138.....	GHB1340-138.....	O-Ring.....	47X3.1.....	1
150.....	GHB1340A-150.....	Key.....	6X55.....	2
158.....	TS-1551061.....	Lock Washer.....	M8.....	1
.....	VB-A762.....	V-Belt (not Shown).....	A762.....	2

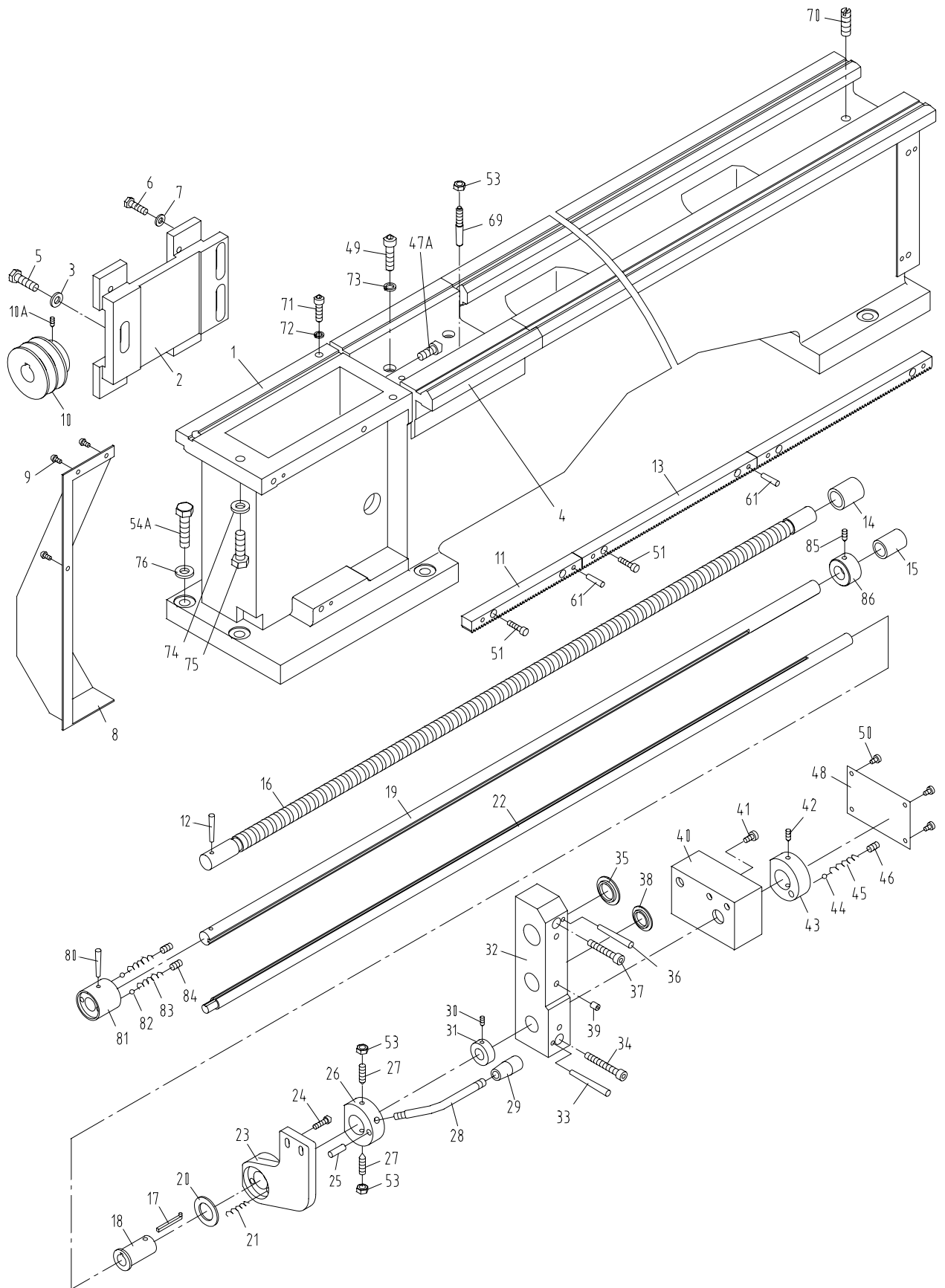
Breakdown for CE GHB-1340A Metal Lathe GHB-1340A Headstock Assembly III



**Parts List for CE GHB-1340A Metal Lathe
GHB-1340A Headstock Assembly III**

Index No.	Part No.	Description	Size	Qty.
1	GHB1340A-02103	Collar		1
2	04102	Collar		1
3	GHB1340-4103	Rear Cover		1
8	04108Z	Front Cover		1
17	04201	Gear	2m37T	1
18	04202Z	Washer		1
19	04203Z	Washer		1
20	04204	Washer		1
21	04205E	Gear	1.25m36T	1
22	04206	Washer	12	1
23	04207A	Gear	2m37T	1
24	04208	Lock Nut		2
42	04226	Gear	2.25m74T	1
43	04227	Gear	2.25m37T	1
44	GHB1340A-02702	Spindle		1
45	04229	Spring	0.6X4X16	3
46	04230	Pin		3
47	04231	Cam		3
53	04237	Gear	2m30T	1
54	04238	Shaft		1
55	GHB1340A-02701	Shaft		1
67	04401	Collar		2
75	GHB1340-4503	Gasket		1
76	GHB1340A-02501	Gasket		1
77	GHB1340A-4505	Gasket		1
79	GHB1340-4507	Oil Seal		1
85	TS-1502041	Hex Socket Cap Screw	M5x16	4
89	TS-1503061	Hex Socket Cap Screw	M6x25	7
98	TS-1523031	Set Screw	M6x8	1
102	TS-1540081	Hex Nut	M12	1
104	GHB1340-104	Key	5X18	1
106	GHB1340-106	Key	6X40	1
107	GHB1340-107	Key	6X50	1
108	GHB1340-108	Key	8X85	1
110	GHB1340-110	Key	8X18	1
113	GHB1340-113	Pin	3X10	1
117	GHB1340-117N	C-Clip	20	3
120	GHB1340-120	C-Clip	50	1
121	GHB1340-121	C-Clip	72	1
122	GHB1340-122	C-Clip	42	2
123	GHB1340-123	Bearing	20X42X8	2
127	GHB1340-127	Bearing	50X90X20	1
128	GHB1340-128	Bearing	60X110X22	1
134	GHB1340-134	O-Ring	20X2.4	1
135	GHB1340-135	O-Ring	25X2.4	1
151	GHB1340A-151	Hex Socket Cap Screw	M8X18	3
159	GHB1340A-159	Pin	2x16	2

Breakdown for CE GHB-1340A Metal Lathe Bed Assembly I

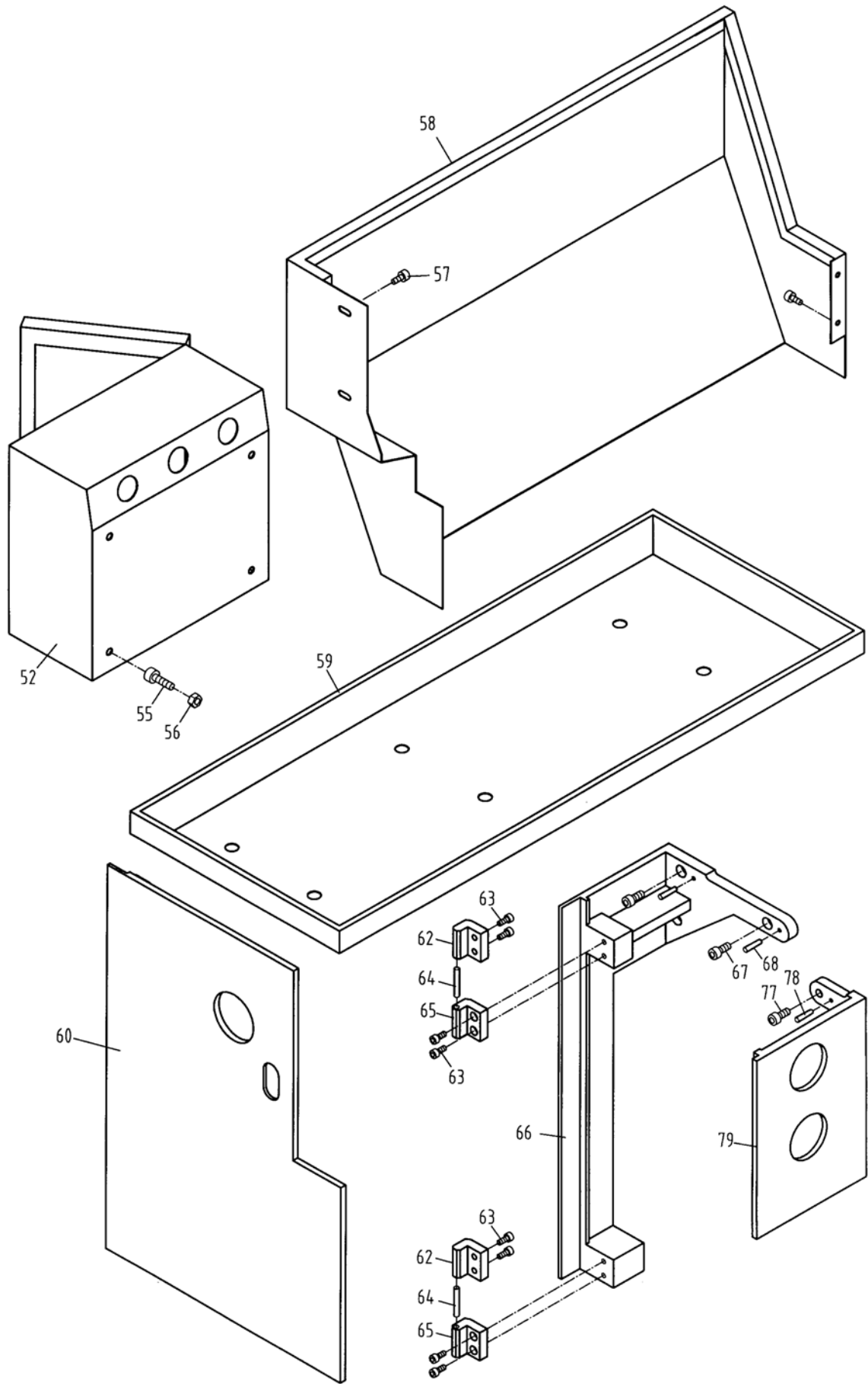


**Parts List for CE GHB-1340A Metal Lathe
Bed Assembly I**

Index No.	Part No.	Description	Size	Qty.
1	GHB1340A-01101	Bed		1
2	01110	Motor Base		1
3	TS-1550071	Washer	M10	3
4	01102	Gap		1
5	TS-149105	Hex Cap Bolt	M10X35	3
6	TS-1490041	Hex Cap Bolt	M8X25	4
7	TS-1550061	Washer		4
8	GHB1340A-02703	End Cover		1
9	GHB1340A-9B	Screw	M5X8	3
10	01112E	Pulley		1
10A	TS-1523041	Set Screw	M6X12	1
11	01203	Rack		1
12	GHB1340A-12B	Pin	5X35	2
13	01204-2	Rack		2
14	32A1105	Collar		1
15	32A1106	Collar		1
16	GHB-1340A-1701E	Lead Screw	Metric style	1
17	321728	Key		1
18	321706	Collar		1
19	GHB1340A-1702	Feed Rod	GHB-1340A	1
20	01707	Brake Ring		1
21	GHB1340A-21B	Spring	1X7.5X25	3
22	GHB1340A-1703	Shaft	GHB-1340A	1
23	32A1103A	Bracket		1
24	TS-1503061	Hex Socket Cap Screw	M6X22	4
25	GHB1340A-25B	Pin	6X25	1
26	32A1710	Handle Hub		1
27	TS-1524061	Screw	M8X28	2
28	01710A	Handle		1
29	GHB1340A-29B	Knob	BM10X50	1
30	TS-1522031	Set Screw	M5X8	1
31	01708	Collar		1
32	32A1104A	Bracket		1
33	GHB1340A-33B	Pin	6X70	1
34	TS-1504131	Hex Socket Cap Screw	M8X65	1
35	32A1502	Plug		1
36	GHB1340A-36B	Pin	6X65	2
37	TS-1504121	Hex Socket Cap Screw	M8X60	2
38	32A1502	Plug		1
39	GHB1340A-39B	Oiler	8	3
40	32A1301	Shaft Support		1
41	TS-1504041	Hex Socket Cap Screw	M8X20	4
42	TS-1523051	Screw	M6X16	1
43	32A1705	Bushing		1
44	SB-6MM	steel Ball	6	1
45	GHB1340A-45B	Spring	1X5X22	1
46	TS-1524041	Screw	M8X16	1
47A	TS-1525021	Set Screw	M10X12	1
48	32A1504	Shaft Box Cover		1
49	TS-1505051	Hex Socket Cap Screw	M10X35	4
50	TS-1502021	Socket Head Cap Screw	M5X10	4
51	TS-1503061	Hex Socket Cap Screw	M6X25	8

Index No.	Part No.	Description	Size	Qty.
53.....	TS-1540061	Hex Nut.....	M8	4
54A	TS-1492061	Hex Cap Bolt	M12X60.....	6
61.....	GHB1340-61B	Pin6X30.....	8
69.....	GHB1340-69B	Thread Pin.....	.8X60.....	2
70.....	GHB1340A-74B.....	Set Screw	M12X40.....	1
71.....	TS-1504081	Hex Socket Cap Screw	M8X40 (GHB).....	2
72.....	TS-1551061	Lock Washer.....	M8	4
73.....	TS-1551071	Lock Washer.....	M10	4
74.....	TS-1550061	Washer	M8 (GHB)	4
75.....	TS-1504091	Hex Socket Cap Screw	M8X45.....	2
76.....	GHB1340A-76B.....	Washer12	6
80.....	GB879E	Pin5x35.....	1
81.....	GH1440A-0116E	Clutch		1
82.....	GB308-6E	Steel Ball.....	.6	2
83.....	GHB1340A-BA83E	Spring		2
84.....	GB79E	Set Screw	M8x10.....	2
85.....	GB79E	Set Screw	M8x10.....	1
86.....	GH1440A-0116E	Collar		1

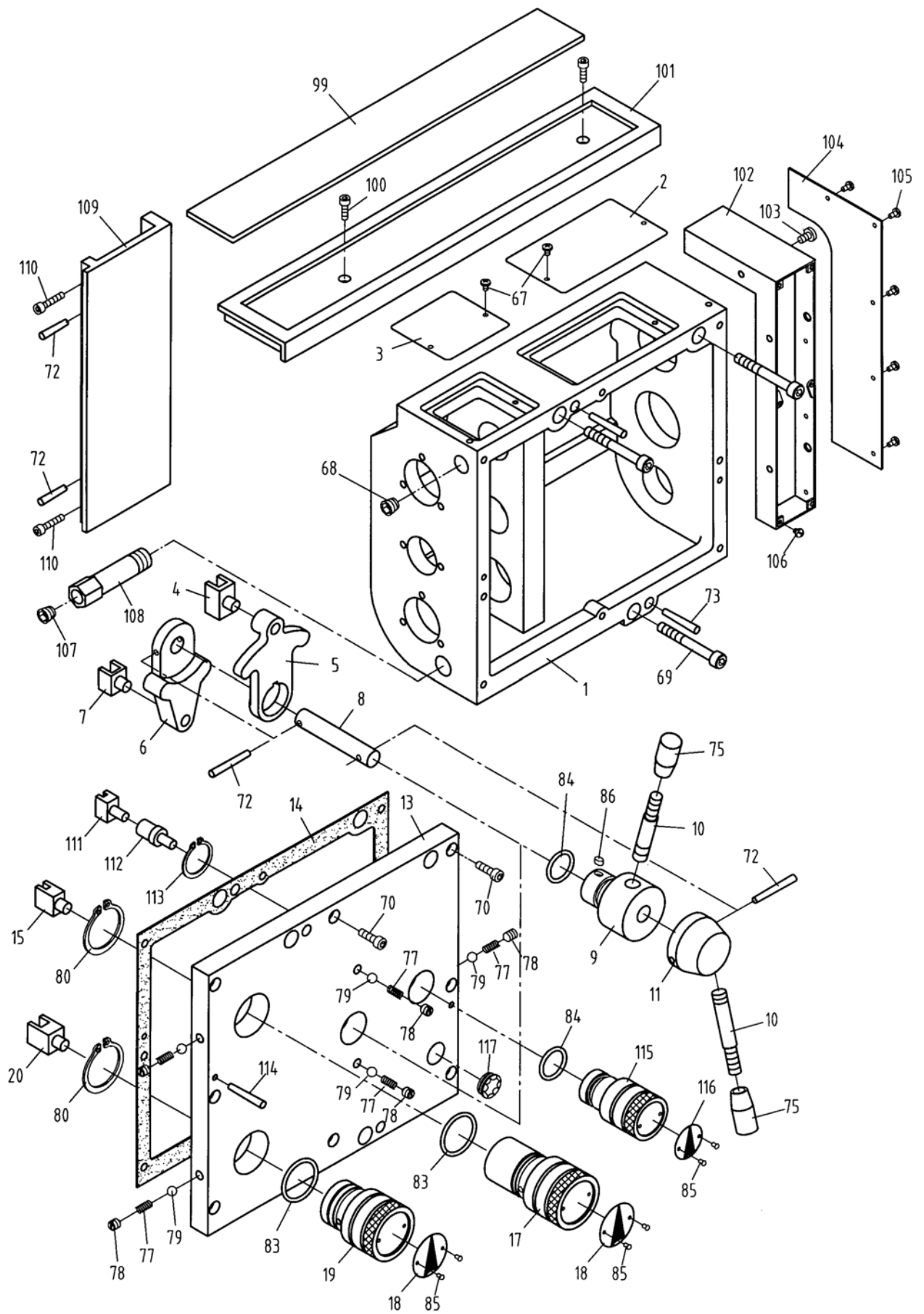
Breakdown for CE GHB-1340A Metal Lathe Bed Assembly II



**Parts List for CE GHB-1340A Metal Lathe
Bed Assembly II**

Index No.	Part No.	Description	Size	Qty.
52.....	GHB1340A-18701	Electrical Box.....	GHB-1340A.....	1
52-1.....	GHB1340A-18701-1	Lock Pad for Electrical Box (Not Shown)		1
55.....	GHB1340A-55B.....	Screw.....	M6X20.....	4
56.....	GHB1340A-56B.....	Nut.....	M6.....	4
57.....	GHB1340A-57B.....	Screw.....	M6X10.....	4
58.....	GHB1340A-12701	Splash Guard.....	GHB-1340A.....	1
59.....	GHB1340A-01701	Oil Plate.....		1
60.....	GHB1340A-02302	Back Cover.....		1
62.....	ZX-8712.....	Upper Hinge.....		2
63.....	TS-1503041	Hex Socket Cap Screw	M6X14.....	8
64.....	GHB1340A-64B.....	Pin	10m6 X40.....	2
65.....	ZX-8711	Lower Hinge.....		2
66.....	GHB1340A-02105	Rear side plate.....		1
67.....	TS-1504031	Hex Socket Cap Screw	M8X14.....	3
68.....	GHB1340A-68B.....	Pin	6X25.....	2
77.....	TS-1502041	Hex Socket Cap Screw	M5X14.....	3
78.....	GHB1340A-78B.....	Pin	5X25.....	2
79.....	GHB1340A-02104	Front side plate.....		1

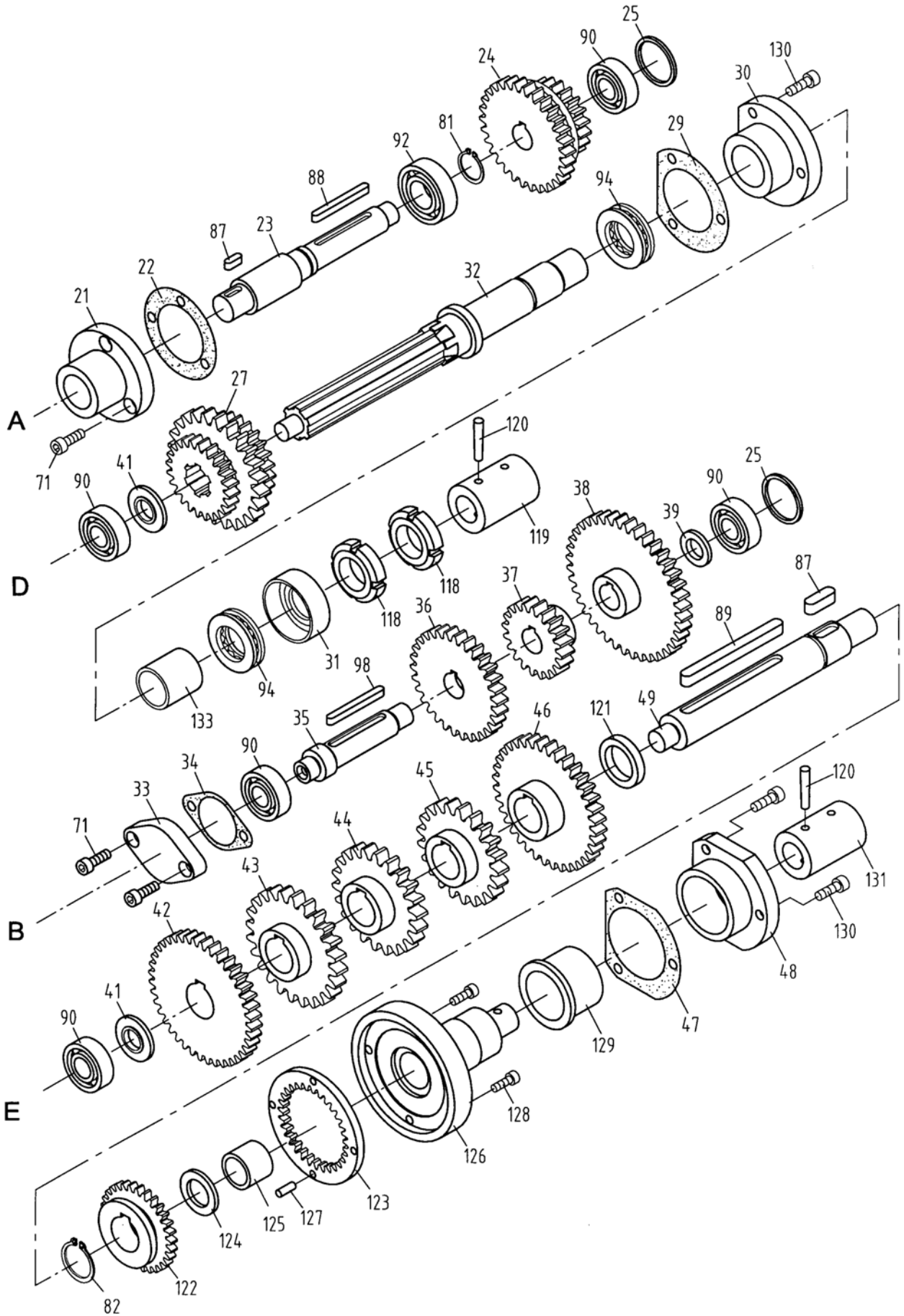
Breakdown for CE GHB-1340A Metal Lathe Gear Assembly I



**Parts List for CE GHB-1340A Metal Lathe
Gear Assembly I**

Index No.	Part No.	Description	Size	Qty.
1	05101A	Casting		1
2	05715	Right cover		1
3	05720	Left cover		1
4	32A5308	Slipper		1
5	32A5111A	Lever		1
6	32A5108A	Lever		1
7	32A5307	Slipper		1
8	32A5702	Shaft		1
9	32A5109	Handle Base		1
10	32A5701	Lever Base		2
11	32A5110	Handle Base		1
13	GHB1340A-5106	Cover		1
14	05504	Gasket		1
15	32A5305	Slipper		1
17	32A5106	Handle		1
18	32A5302	Plate		2
19	32A5103	Handle		1
20	32A5306	Slipper		1
67	GHB1340A-G67	Screw	M4X6	4
68	GHB1340A-G68	Oil Ball Nut	ZG3/8"	1
69	GHB1340A-G69	Socket Head Cap Screw	M8X65	3
70	TS-1503061	Socket Head Cap Screw	M6X25	8
72	GHB1340A-G72	Pin	5X30	4
73	GHB1340A-G73	Pin	5X40	2
75	GHB1340A-G75	Knob	BM10X50	2
77	GHB1340A-G77	Spring	0.8X5X25	5
78	TS-1524021	Socket Head Cap Screw	M8X10	5
79	SB-6.5MM	steel Ball	6.5	5
80	GHB1340A-G80	C-clip	40	2
83	GHB1340A-G83	O-Ring	40X3.1	2
84	GHB1340A-G84	O-Ring	30X3.1	2
85	GHB1340A-G85	Screw	M3X6	6
86	GHB1340A-G86	Key	5X8	1
99	GHB1340A-05503	Rubber Mat		1
100	TS-1502041	Socket Set Screw	M5X16	2
101	GHB1340A-05105	Top Cover		1
102	05723	Cover		1
103	GHB1340A-G103	Screw	M4X8	3
104	05722E	Plate		1
105	GHB1340A-G105	Screw	M3X5	5
106	GHB1340A-G106	Screw	M3X6	6
107	GHB1340A-G107	Tapered Tap	Z1/4"	1
108	05724	Oil Drain Pipe		1
109	05108	Extending Plate		1
110	TS-1502061	Socket Head Cap Screw	M5X25	2
111	05305	Slipper		1
112	05721	Slipper Shaft		1
113	GHB1340A-G113	C-clip	30	1
114	GHB1340A-G114	Pin	5X30	2
115	05107	Lever		1
116	05304	Sign Disc		1
117	GHB1340A-G117	Oil Sight Glass	12	1

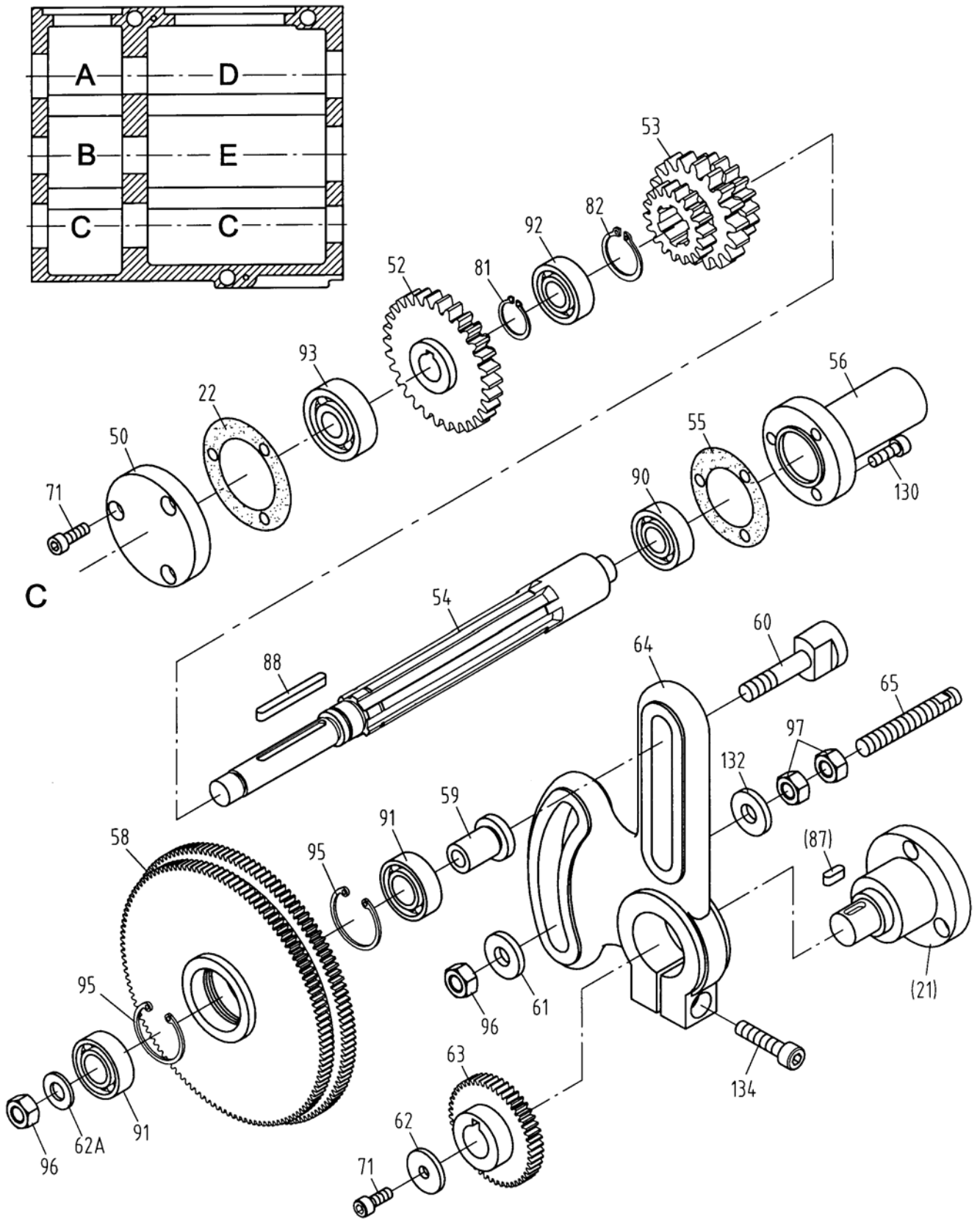
Breakdown for CE GHB-1340A Metal Lathe Gear Assembly II



**Parts List for CE GHB-1340A Metal Lathe
Gear Assembly II**

Index No.	Part No.	Description	Size	Qty.
21	32A5113	Cover		1
22	32A5503	Gasket		1
23	32A5712	Shaft		1
24	32A5710A	Gear	2.5m30T,20T	1
25	32A5719	Washer		2
27	05718	Gear	2.25m,3.25m,2.5m24T	1
29	05502	Gasket		1
30	05104	Bushing		1
31	05714E	Washer		1
32	05716	Shaft		1
33	32A5114	End cover		1
34	32A5504	Gasket		1
35	32A5716	Shaft		1
36	32A5714A	Gear	2.5m30T	1
37	32A5715A	Gear	2.5m20T	1
38	32A5713A	Gear	2.5m40T	1
39	32A5708	Washer		2
41	05719	Washer		2
42	05702	Gear	2.25m40T	1
43	05703	Gear	3.25m24T	1
44	05704	Gear	3.25m22T	1
45	05705	Gear	3.25m21T	1
46	05706	Gear	2.5m36T	1
47	05501	Gasket		1
48	05103	Flange		1
49	05717	Shaft		1
71	TS-1504031	Socket Head Cap Screw	M6X16	5
81	GHB1340A-G81	C-clip	20	1
82	GHB1340A-G82	C-clip	25	1
87	GHB1340A-G87	Key	5X14	2
88	GHB1340A-G88	Key	5X50	1
89	GHB1340A-G89	Key	8X110	1
90	BB-6202	Bearing	6202	5
92	BB-6004	Bearing	6004	1
94	BB-51105	Thrust Bearing	51105	2
98	GHB1340A-G98	Key	5X55	1
118	GHB1340A-G118	Round Nut	M24X1.5	2
119	05713	Connecting Sleeve	GHB-1340A	1
120	GHB1340A-G120	Pin	5X35	4
121	05707	Washer		1
122	05708	Gear		1
123	05709	Inner Gear	2m30T	1
124	05711	Washer	2m30T	1
125	05302	Oil Light bushing		1
126	05710	XIB Shaft		1
127	GHB1340A-G127	Pin	5n6X14	2
128	GHB1340A-G128	Screw	M5X10	2
129	05301	Sliding Bearing		1
130	GHB1340A-G130	Socket Head Cap Screw	M6X12	6
131	GHB1340A-05712	Connecting Sleeve		1
133	05303	Bearing Housing		1

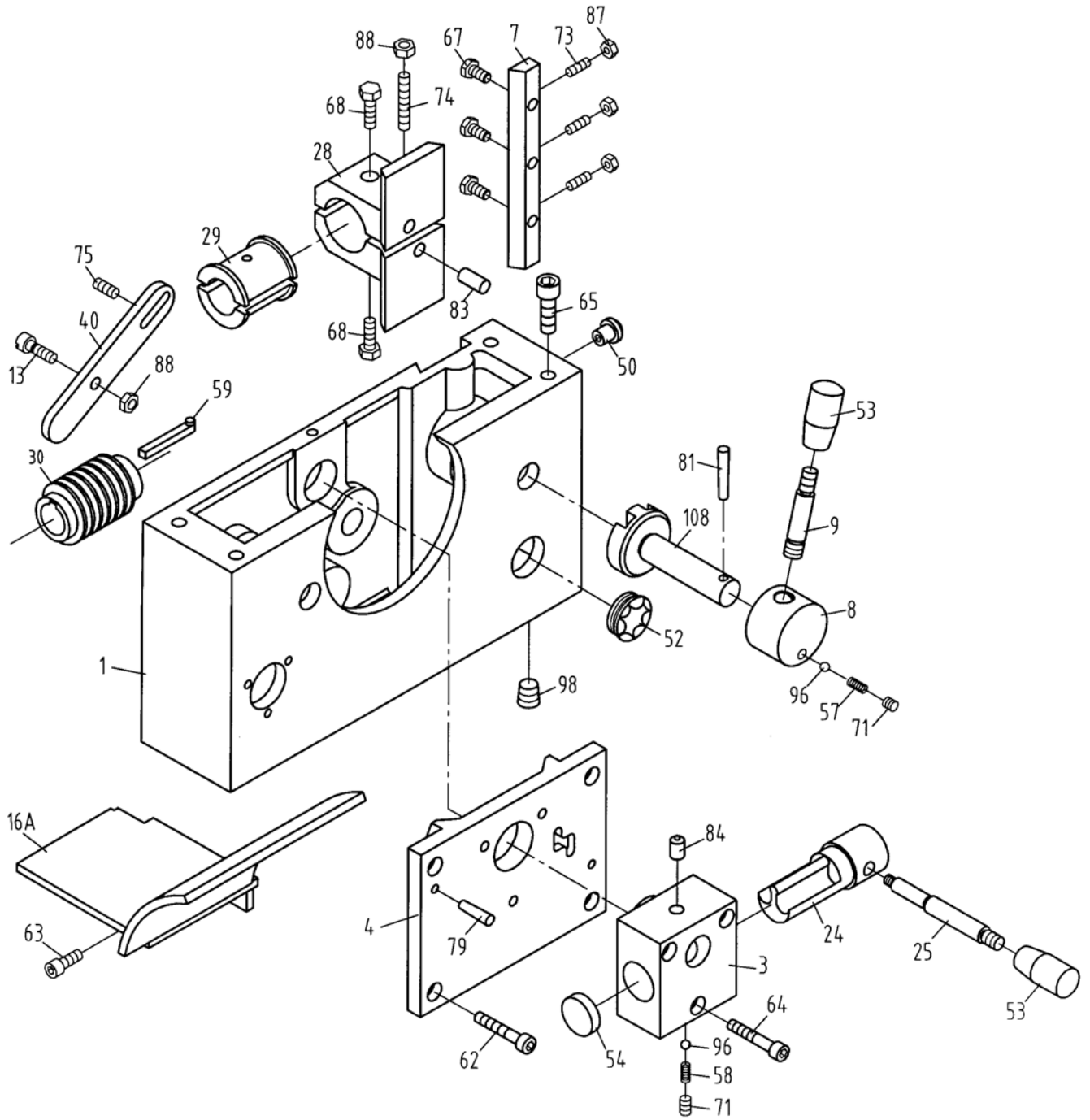
Breakdown for CE GHB-1340A Metal Lathe Gear Assembly III



**Parts List for CE GHB-1340A Metal Lathe
Gear Assembly III**

Index No.	Part No.	Description	Size	Qty.
21	32A5113	Cover		1
22	32A5503	Gasket		1
50	32A5115	End cover		1
52	32A5718A	Gear	.2.5m40T,15T	1
53	32A5721A	Gear	.2.25m,3.25m,2.5m18T	1
54	05701	Key shaft		1
55	05505	Gasket		1
56	05102	Cover		1
58	40A5736	Gear	1.25m120T,127T	1
59	40A5738	Collar		2
60	40A5739	Screw		1
61	321719	Washer		1
62	40A5740	Washer		1
62A	40A5740	Washer		1
63	32A5726A	Gear	1.25m48T	1
64	32A5119	Gear Frame		1
65	321718	Screw rod		1
71	TS-1504031	Socket Head Cap Screw	M6x16	4
81	GHB1340A-G81	C-clip	.20	1
82	GHB1340A-G82	C-clip	.25	1
87	GHB1340A-G87	Key	.5X14	1
88	GHB1340A-G88	Key	.5X50	1
90	BB-6202	Bearing	.6202	1
91	BB-6103	Bearing	.6103	2
92	BB-6004	Bearing	.6004	1
93	BB-6302	Thrust Bearing	.6302	1
95	GHB1340A-G95	C-Clip	.35	2
96	GHB1340A-G96	Hex Nut	M10	1
97	TS-1540081	Hex Nut	M12	3
130	TS-1503031	Socket Head Cap Screw	M6X12	3
132	TS-2360121	Washer		1
134	GHB1340A-G134	Hex Socket Cap Screw	M8X30	1

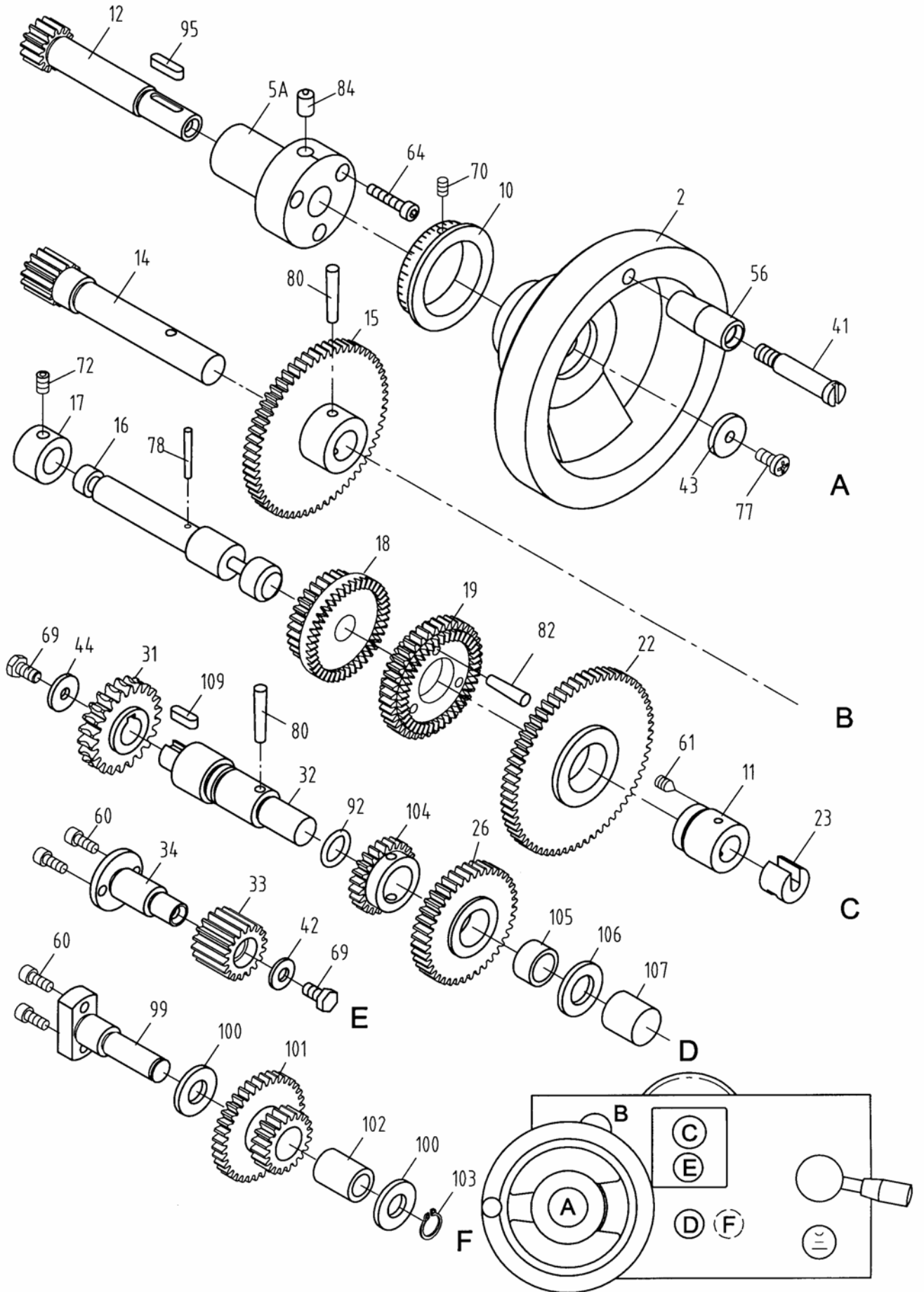
Breakdown for CE GHB-1340A Metal Lathe Apron Assembly I



**Parts List for CE GHB-1340A Metal Lathe
Apron Assembly I**

Index No.	Part No.	Description	Size	Qty.
1.....	GHB1340A-06101A.....	Casting		1
3.....	06103.....	Housing		1
4.....	06104.....	Cover		1
7.....	06107.....	Gib		1
8.....	06208.....	Handle Hub.....		1
9.....	06209.....	Handle		1
13.....	06213.....	Gear Pin		1
16A.....	06415.....	Bracket		1
24.....	06222.....	Shift Lever		1
25.....	06223.....	Shift Handle		1
28.....	06126.....	Bracket		1
29.....	06427E.....	Half Nut.....		1
30.....	06228A.....	Worm2m1T	1
40.....	06238.....	Bar		2
50.....	06548.....	Oil Sight Collar		1
52.....	06551.....	Oil Sight.....		1
53.....	06553.....	Knob	M8X40	2
54.....	Z06554	Plug "A".....		1
57.....	06257.....	Spring		1
58.....	06258.....	Spring		1
59.....	06260.....	Key		1
62.....	TS-1503031	Hex Socket Cap Screw	M6x12.....	4
63.....	TS-1503041	Hex Socket Cap Screw	M6x16.....	1
64.....	TS-1503061	Hex Socket Cap Screw	M6x25.....	3
65.....	TS-1504061	Hex Socket Cap Screw	M8x30.....	4
67.....	GHB1340-A67	Screw.....	M5x16.....	3
68.....	TS-1523041	Set Screw	M6x12.....	2
71.....	TS-1523011	Set Screw	M6x6.....	2
73.....	TS-1522051	Set Screw	M5x16.....	3
74.....	GHB1340-A77	Set Screw	M6x35.....	1
75.....	TS-1523031	Set Screw	M6x10.....	1
79.....	GHB1340-A79	Pin5x20.....	2
81.....	GHB1340-A81	Pin5x32.....	1
83.....	GHB1340-A83	Pin8n6x12	2
84.....	GHB1340-A84	Oiler8	2
87.....	TS-1540031	Hex Nut.....	M5	3
88.....	TS-1540041	Hex Nut	M6	2
96.....	SB-5MM.....	Steel Ball	5	2
98.....	GHB1340-A98	Plug	Z1/4"	1
108.....	06261.....	Half Nut controlling Shaft.....		1

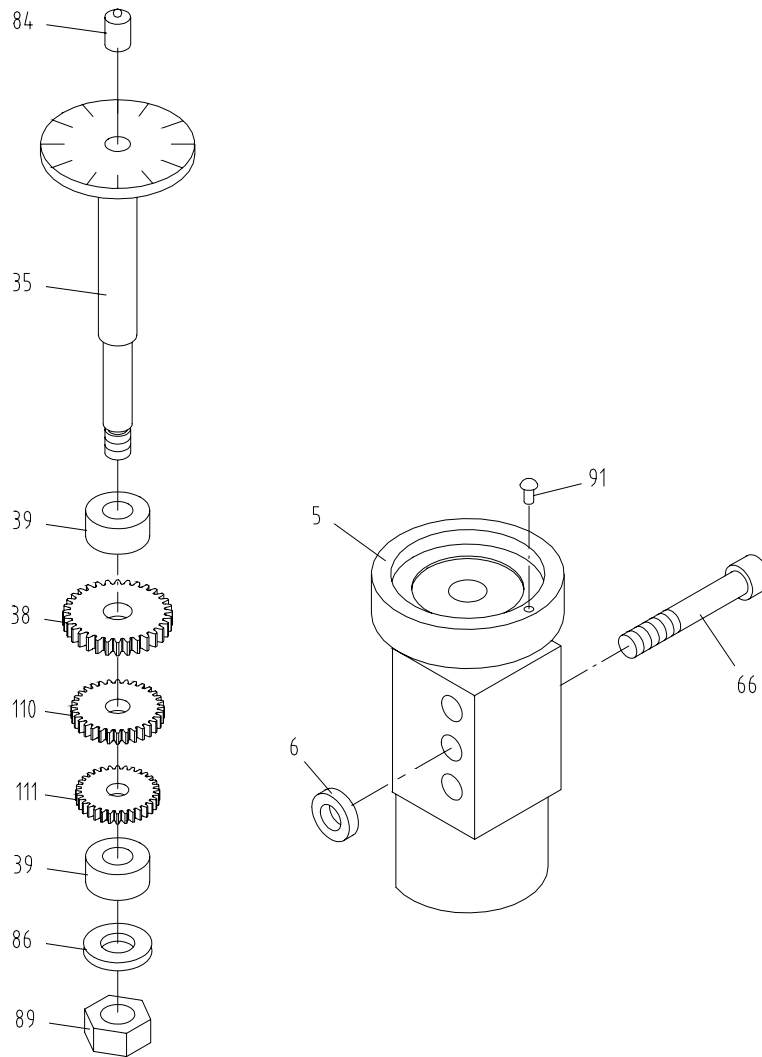
**Breakdown for CE GHB-1340A Metal Lathe
Apron Assembly II**



**Parts List for CE GHB-1340A Metal Lathe
Apron Assembly II**

Index No.	Part No.	Description	Size	Qty.
2.....	06102.....	Handwheel.....		2
5A.....	06105A.....	Hub.....		1
10.....	06510E.....	Index Ring.....		1
11.....	Z06111.....	Cover.....		1
12.....	06212.....	Shaft.....	1.5m14T.....	1
14.....	06214.....	Gear Shaft.....	1.5m13T.....	1
15.....	06215.....	Gear.....	1.5m60T.....	1
16.....	06216.....	Shaft.....		1
17.....	06417.....	Collar.....		1
18.....	06218.....	Gear.....	1.5m30T.....	1
19.....	06219.....	Gear.....	1.5m40T.....	1
22.....	06220.....	Gear.....	1.5m46T.....	1
23.....	06421.....	Shift Fork.....		1
26.....	GHB1340A-06704.....	Gear.....	1.5m40T.....	1
31.....	06429.....	Gear.....	2m22T.....	1
32.....	GHB1340A-06714.....	Shaft.....		1
33.....	06231.....	Gear.....	1.5m18T.....	1
34.....	06232.....	Shaft.....		1
41.....	06239.....	Screw.....		1
42.....	TS-1550041.....	Washer.....		1
43.....	Z06241.....	Washer.....		1
44.....	06242.....	Washer.....		1
56.....	06556.....	Handle.....		1
60.....	TS-1502031.....	Hex Socket Cap Screw.....	M5x12.....	4
61.....	TS-1523011.....	Set Screw.....	M6x6.....	1
64.....	TS-1503061.....	Hex Socket Cap Screw.....	M6x25.....	3
69.....	TS-1503021.....	Screw.....	M6x10.....	2
70.....	TS-1522011.....	Set Screw.....	M5x6.....	2
72.....	TS-1523031.....	Set Screw.....	M6x10.....	1
77.....	GHB1340-A77.....	Screw.....	M6x12.....	1
78.....	GHB1340-A78.....	Pin.....	3x25.....	1
80.....	GHB1340-A80.....	Pin.....	5x30.....	2
82.....	GHB1340-A82.....	Pin.....	5x25.....	3
84.....	GHB1340-A84.....	Oiler.....	.8.....	1
92.....	GHB1340-A92.....	O-Ring.....	20x2.4.....	1
95.....	GHB1340-A95.....	Key.....	A5x18.....	1
99.....	GHB1340A-06732.....	Shaft.....		1
100.....	GHB1340A-06114.....	Washer.....		2
101.....	GHB1340A-06734.....	Gear.....	1.5m20T36T.....	1
102.....	GHB1340A-06115.....	Collar.....		1
103.....	GHB1340A-A103.....	Shaft Plug.....		1
104.....	GHB1340A-06731.....	Gear.....	1.5m24T.....	1
105.....	GHB1340A-06113.....	Collar.....		1
106.....	GHB1340A-06111.....	Washer.....		1
107.....	GHB1340A-06112.....	Shaft Plug.....		1
109.....	GHB1340A-A109.....	Key.....	5x12.....	1

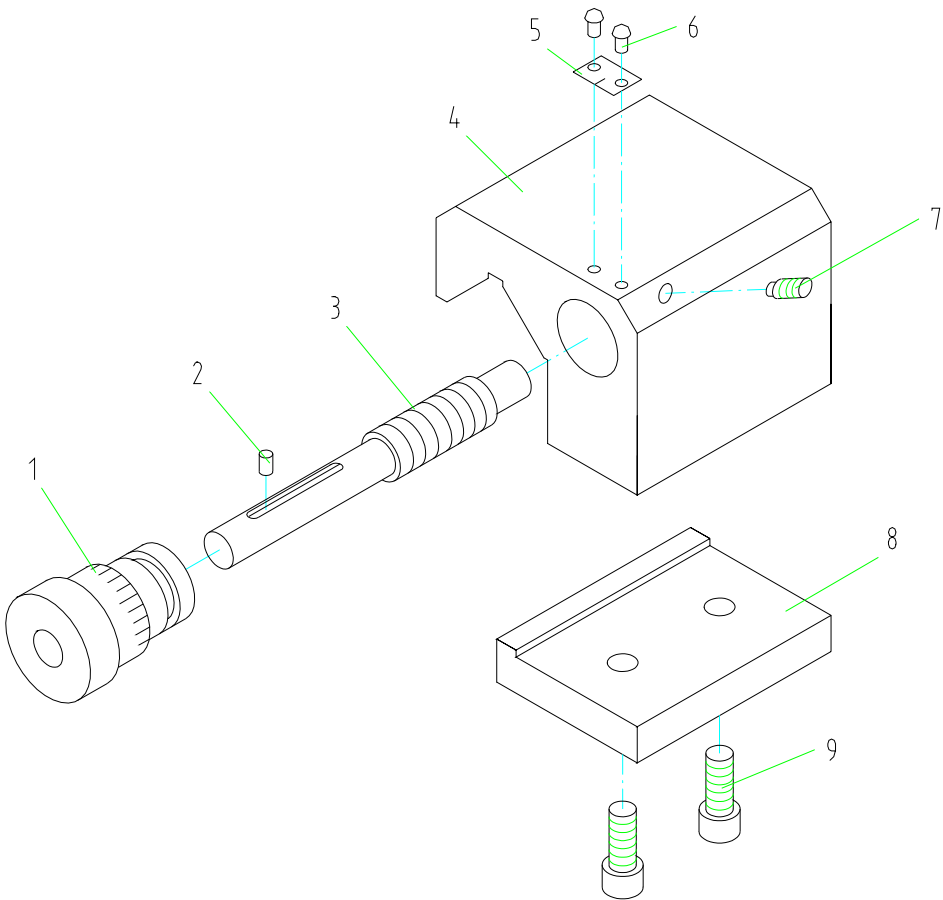
Breakdown for CE GHB-1340A Metal Lathe Apron Assembly III



Parts List for CE GHB-1340A Metal Lathe Apron Assembly III

Index No.	Part No.	Description	Size	Qty.
5.....	Z06105	Threading Dial Body		1
6.....	06206.....	Washer		1
35.....	06233E	Threading Dial Shaft.....		1
38.....	GHB1340A-06309E-3... ..	Gear.....	1.25m27T	1
39.....	06237.....	Spacer		2
66.....	TS-1504101	Hex Socket Cap Screw	M8x50.....	1
84.....	GHB1340-A84	Oiler	8	1
86.....	GHB1340-A86	Lock Washer.....	M8	1
89.....	TS-1540061	Hex Nut	M8	1
91.....	GHB1340-A91	Rivet	3x8.....	1
110.....	GHB1340A-06309E-2... ..	Gear.....	1.25m21T	1
111.....	GHB1340A-06309E-1... ..	Gear.....	1.25M20T	1

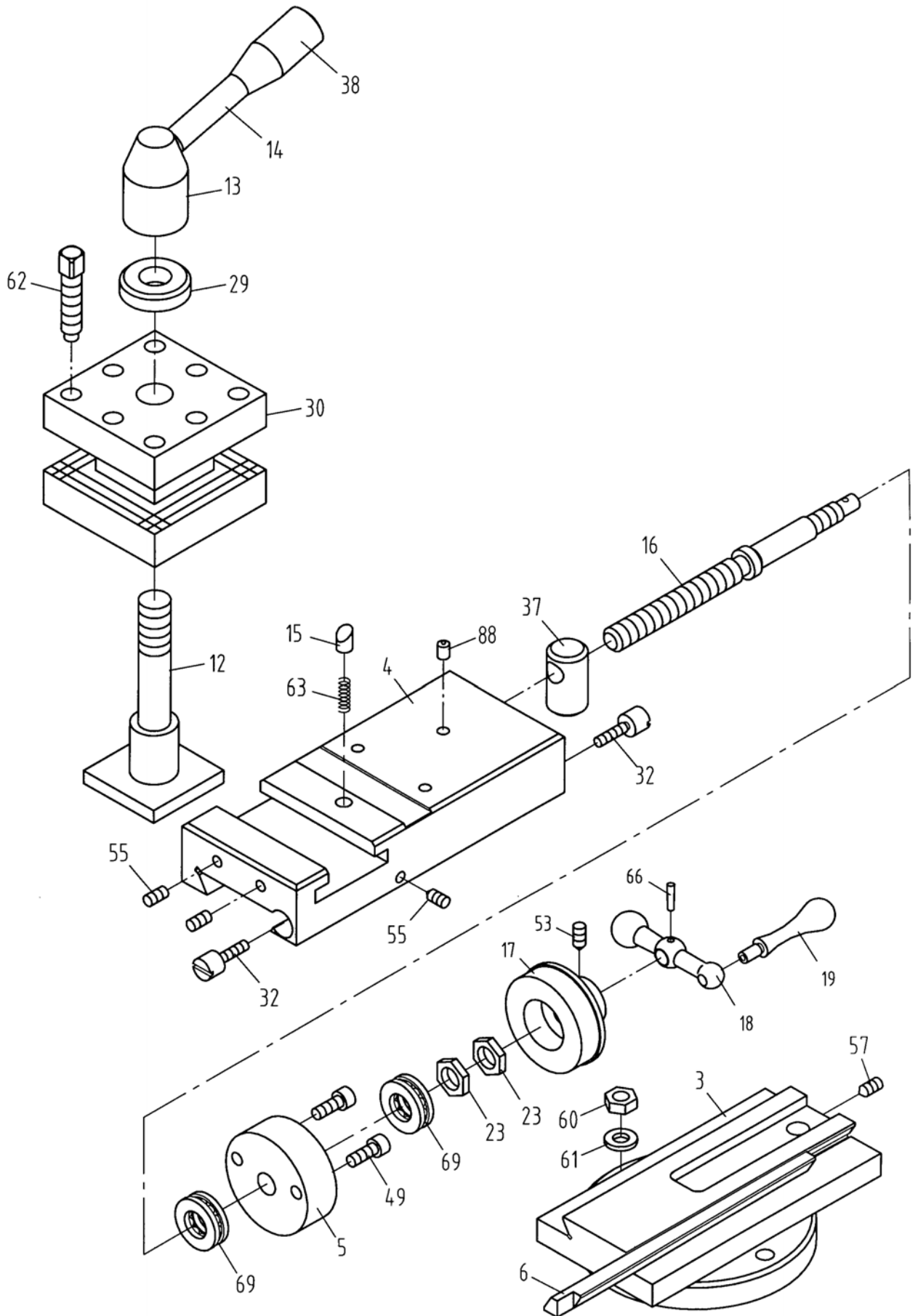
**Breakdown for CE GHB-1340A Metal Lathe
Micro Carriage Stop Assembly**



**Parts List for CE GHB-1340A Metal Lathe
Micro Carriage Stop Assembly**

Index No.	Part No.	Description	Size	Qty.
1	GH1340A-01707	Dial		1
2	GHB1340A-MS02	Pin	B3X6	1
3	GH1340A-01716	Axle		1
4	GHB1340A-01107	Stop		1
5	ZX-03302	Sign Plate		1
6	ZX-MS06	Nail	3X8	2
7	TS-1523031	Hex Socket Set Screw	M6X10	1
8	GH1340A-01108	Clamping Plate		1
9	TS-1503051	Hex Socket Cap Screw	M6X20	2

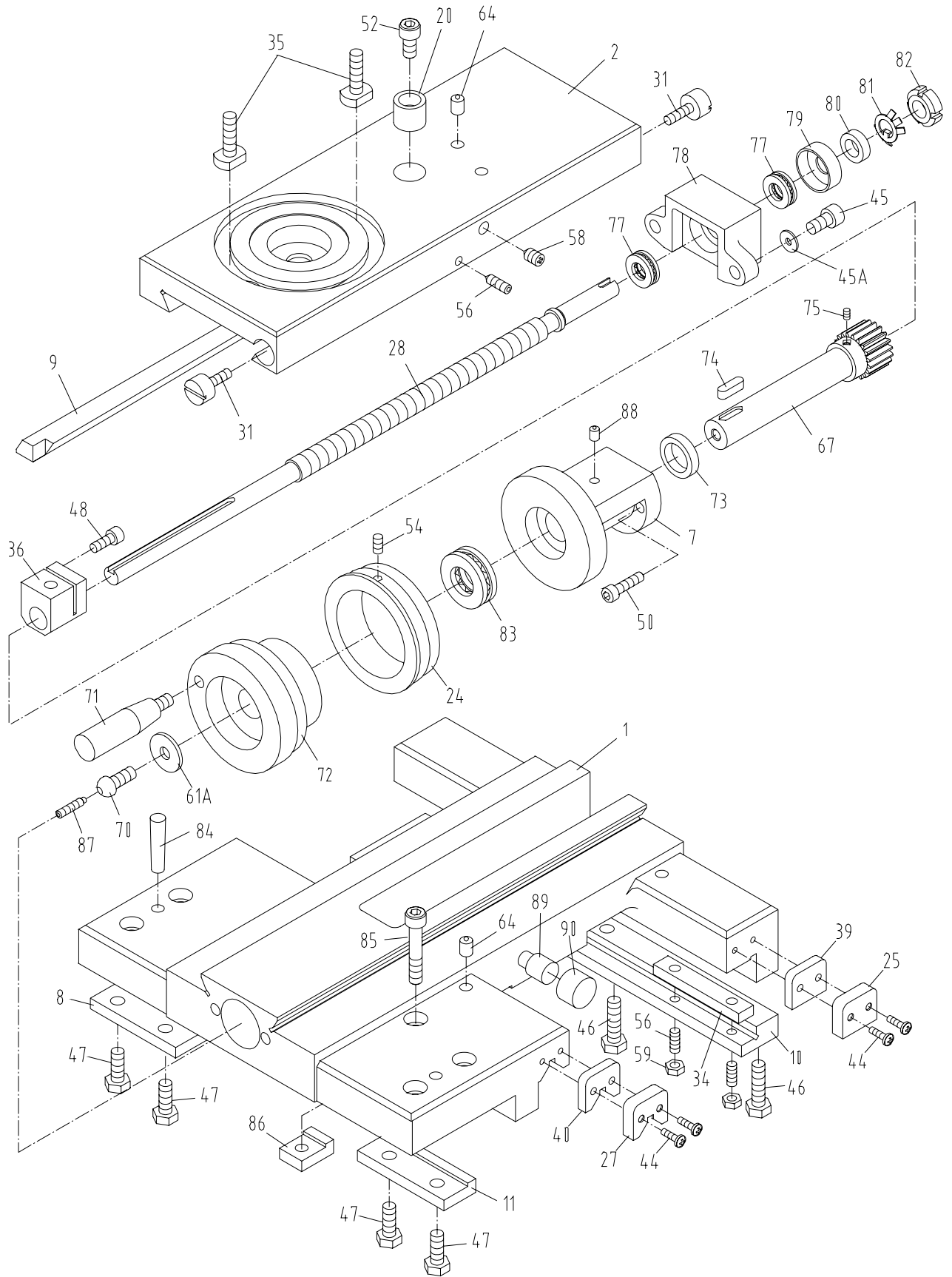
**Breakdown for CE GHB-1340A Metal Lathe
Top Slide, Tool Post, Saddle, and Cross Slide I**



**Parts List for CE GHB-1340A Metal Lathe
Top Slide, Tool Post, Saddle, and Cross Slide I**

Index Part No.	No.	Description	Size	Qty.
3.....	07103.....	Swivel Slide		1
4	07104	Top Slide.....		1
5	07111	Collar		1
6	07117	Gib		1
12.....	07205.....	Screw.....		1
13.....	07206.....	Handle Base		1
14.....	07207.....	Handle Shaft.....		1
15.....	07209.....	Stop		1
16.....	07210E	Screw.....		1
17.....	07212E	Index Ring		1
18.....	07213.....	Lever.....		1
19.....	07214.....	Lever.....		1
23.....	07221.....	Nut.....		4
29.....	07233.....	Washer		1
30.....	07234.....	Post Base		1
32.....	07237.....	Gib Adjusting Screw		2
37.....	07430E	Nut		1
38.....	07508.....	Knob		1
49.....	TS-1503051	Hex Socket Cap Screw	M6×20	2
53.....	TS-1523011	Set Screw	M6×6	1
55.....	TS-1523031	Set Screw	M6×10	3
57	TS-1524011	Set Screw	M8×8	1
60.....	TS-1540061	Hex Nut.....	M8.....	2
61.....	TS-1550061	Washer	M8.....	1
62.....	GHB1340-62T	Screw.....	M10×40	8
63.....	GHB1340-63T	Spring	0.6×4×18.....	1
66.....	GHB1340-66T	Pin	3×16	1
69.....	GHB1340-69T	Ball Bearing		2
.....	GHB1340-TSA.....	Top Slide Assembly w/o Tool Post.....		1
88.....	GHB1340-88.....	Oil Ball	6.....	1

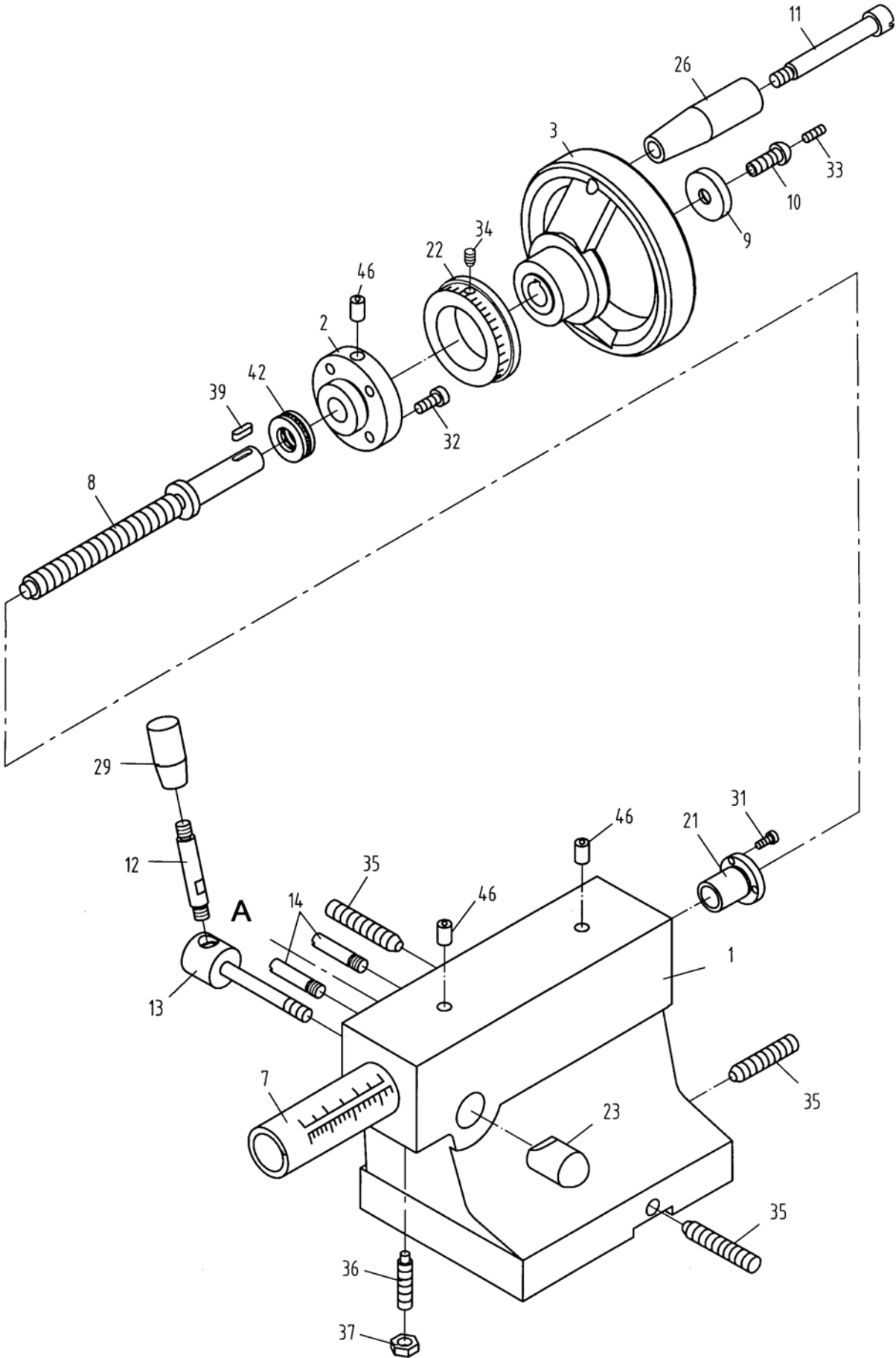
Breakdown for CE GHB-1340A Metal Lathe Top Slide, Tool Post, Saddle, and Cross Slide II



**Parts List for CE GHB-1340A Metal Lathe
Top Slide, Tool Post, Saddle, and Cross Slide II**

Index Part				
No.	No.	Description	Size	Qty.
1	07101	Saddle		1
2	07102	Cross Slide		1
7	07120N	Bearing Housing		1
8	07123	Strip		1
9	07131	Gib		1
10	07132	Strip		1
11	07141	Front Strip		1
20	07216	Collar		1
24	07222NE	Index Ring		1
25	07224	Plate		2
27	07227	Plate		2
28	07229NE	Screw		1
31	07236	Gib Adjusting Screw		2
34	07239	Gib Strip		2
35	07240	T-Bolt		2
36	07415NE	Block		1
39	07526	Wiper		2
40	07528	Wiper		2
44	GHB1340-44T	Screw	M4×12	8
45	TS-1504051	Hex Socket Cap Screw	M8×25	2
45A	TS-1504061	Lock Washer	M8	2
46	GHB1340-46T	Screw	M8×20	3
47	GHB1340-47T	Screw	M8×20	4
48	TS-1503041	Hex Socket Cap Screw	M6×16	1
50	TS-1503061	Hex Socket Cap Screw	M6×25	2
52	TS-1504031	Hex Socket Cap Screw	M8×16	1
54	TS-1523021	Set Screw	M6×8	1
56	TS-1523071	Set Screw	M6×25	5
58	TS-1524021	Set Screw	M8×10	1
59	TS-1540041	Hex Nut	M6	4
61A	GHB1340-65T	Washer		1
64	GHB1340-64T	Oil Ball	8	3
67	07530	Gear Shaft		1
70	TS-1504041	Screw	M8×20	1
71	07531	Handle		1
72	07532	Compound Handle		1
73	07533	Spacer		1
74	07534	Key		1
75	07535	Set Screw	M3×8	1
77	BB-8101	Thrust Bearing	8101	2
78	07538	Bearing Housing		1
79	07539	Bearing Dust Cover		1
80	07540	Washer		1
81	07541	Star Washer		1
82	07542	Locking Nut		1
83	BB-8104	Thrust Bearing	8104	1
84	GHB1340-84	Taper Pin	8×40	2
85	GHB1340-85	Hex Socket Cap Screw	M8×50	1
86	GHB1340-86	Locking Washer		1
87	GHB1340-87	Screw	M5×20	1
88	GHB1340-88	Oil Ball	6	1
89	GHB1340A-04588E	Stop Pin		1
90	GHB1340A-04507E	Stop Pin Cap		1

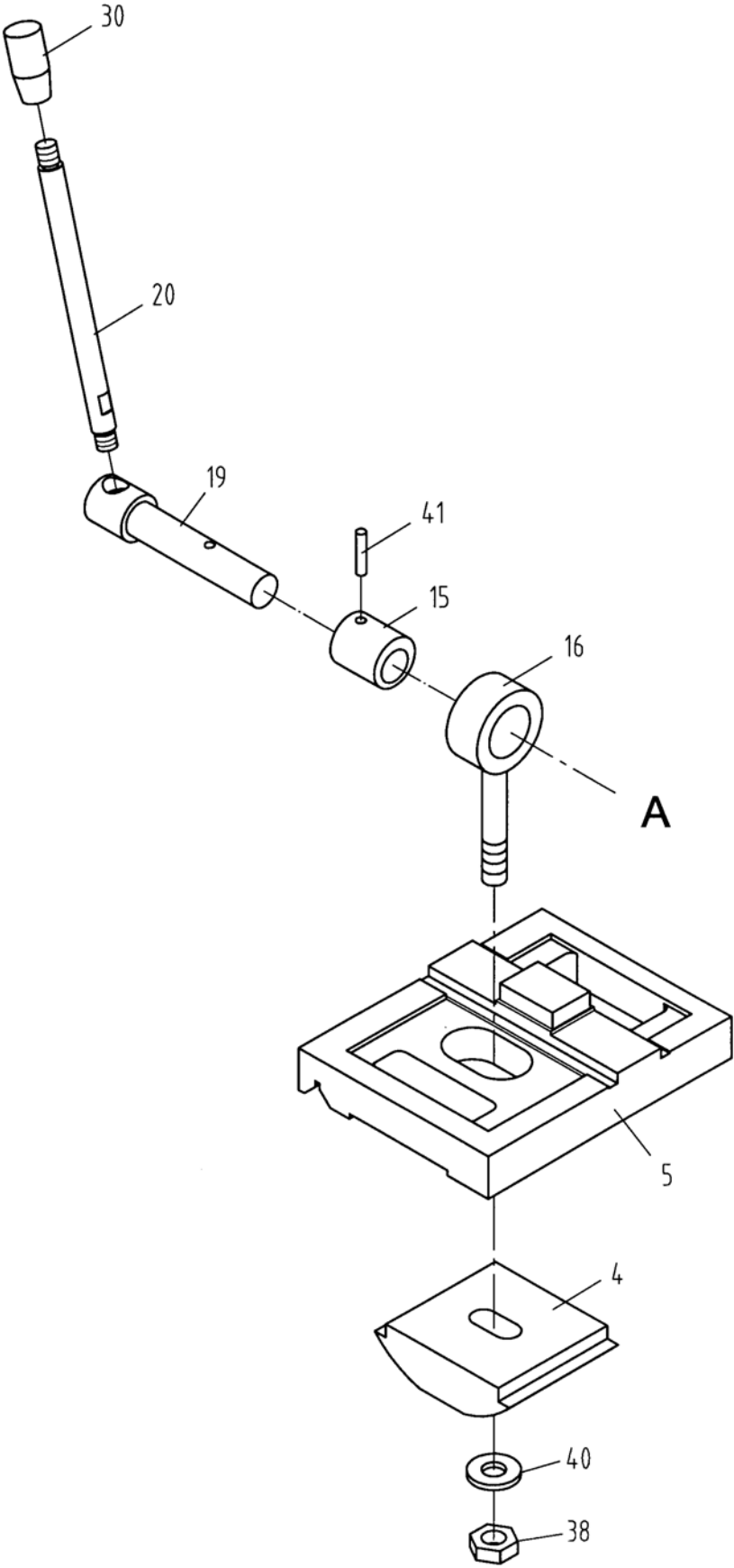
**Breakdown for CE GHB-1340A Metal Lathe
Tailstock Assembly I**



**Parts List for CE GHB-1340A Metal Lathe
Tailstock Assembly I**

Index Part				
No.	No.	Description	Size	Qty.
1	Z08101	Casting		1
2	Z08102	Flange Cover		1
3	08103	Hand wheel		1
7	08202	Quill		1
8	Z08203E	Screw		1
9	GHB1340-09TS	Washer		1
10	Z08205	Screw	M8×20	1
11	08206	Screw		1
12	Z08207	Lever		1
13	08208	Shaft		1
14	08209	Screw		2
21	08401E	Nut		1
22	08402E	Index Ring		1
23	08403	Pivot Block		1
26	08501	Handle		1
29	GHB1340-29TS	Handle	M8×40	1
31	TS-1501031	Hex Socket Cap Screw	M4×10	3
32	TS-1503041	Hex Socket Cap Screw	M6×16	4
33	TS-1522061	Set Screw	M5×20	1
34	TS-1523031	Set Screw	M6×8	1
35	GHB1340-35TS	Set Screw	M10×45	3
36	GHB1340-36TS	Screw	M8×35	1
37	TS-1540061	Hex Nut	M8	1
39	GHB1340-39TS	key	4×15	1
42	BB-51102	Bearing	8102	1
46	GHB1340-43TS	Oil Ball	8	3
	Z08201	Live Center (not shown)	MT3	1
	8404	Arrow Plate (not shown)		1
	8405	Scale Plate (not shown)		1

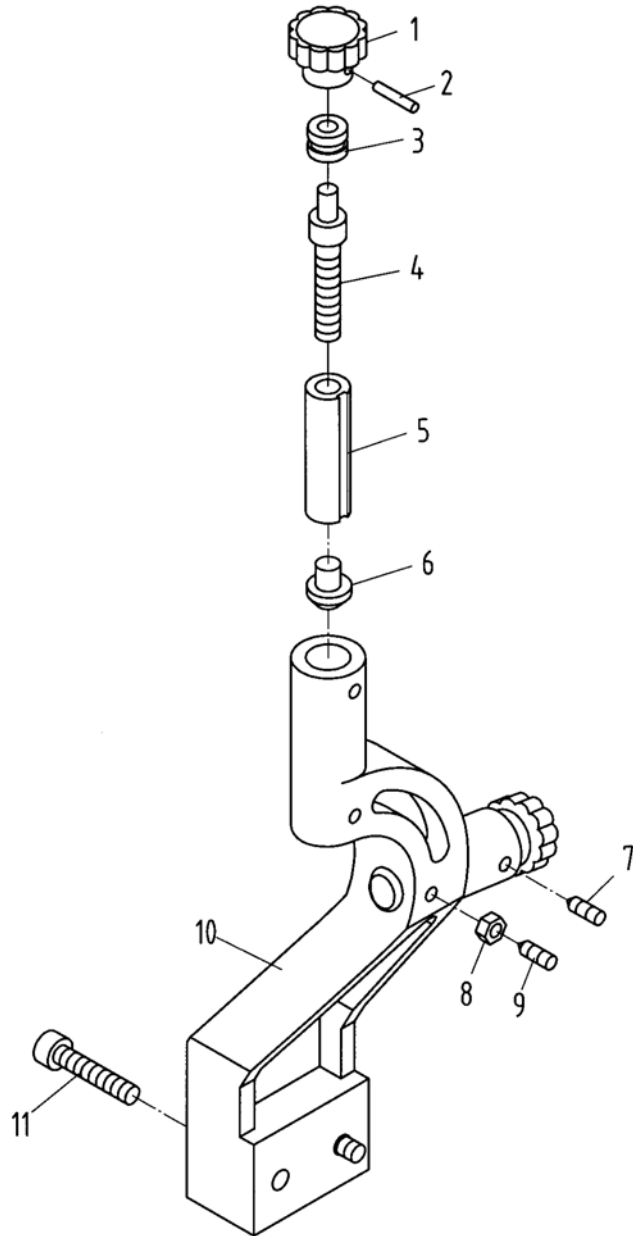
**Breakdown for CE GHB-1340A Metal Lathe
Tailstock Assembly II**



**Parts List for CE GHB-1340A Metal Lathe
Tailstock Assembly II**

Index Part				
No.	No.	Description	Size	Qty.
4	08104	Clamp Plate		1
5	08105	Base		1
15	08211	Collar		1
16	08212	Screw		1
19	08213	Shaft		1
20	08214	Lever		1
30	GHB1340-147	Handle	M10×50	1
38	TS-1540081	Hex Nut	M12	1
40	TS-2360121	Washer	M12	1
41	GHB1340-41TS	Pin	5×25	1

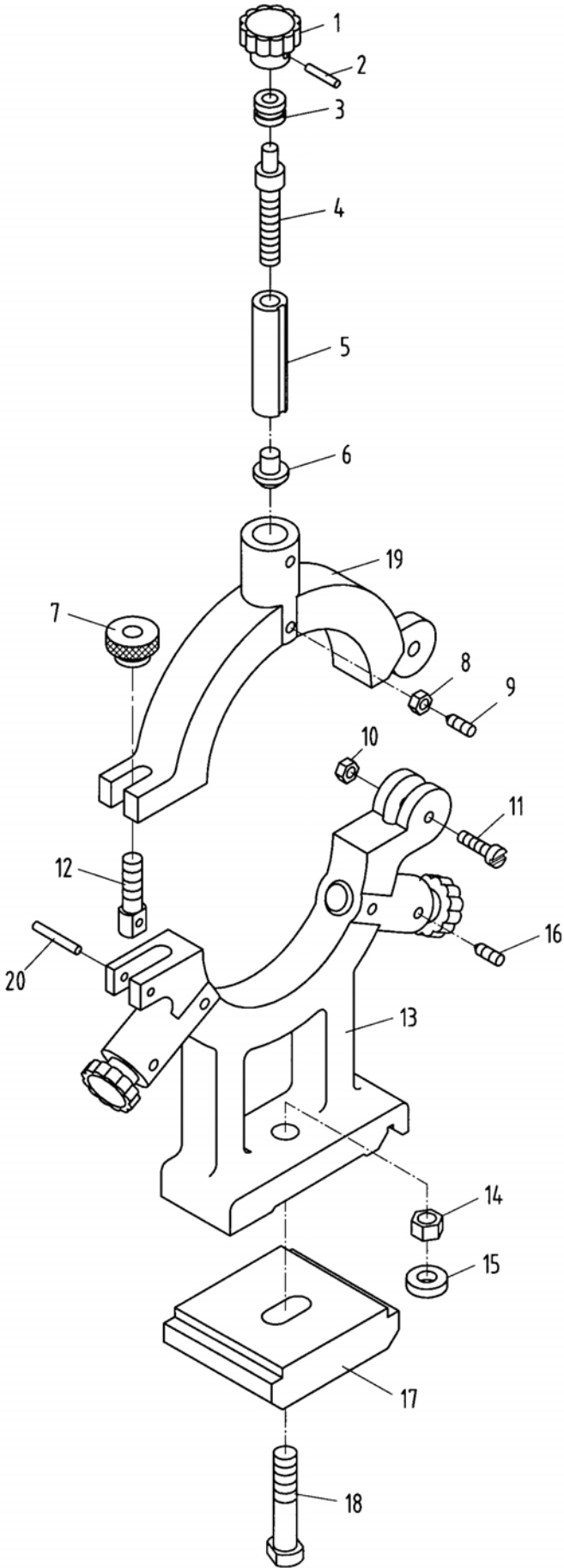
**Breakdown for CE GHB-1340A Metal Lathe
Follow Rest**



**Parts List for CE GHB-1340A Metal Lathe
Follow Rest**

Index No.	Part No.	Description	Size	Qty.
1	GHB1340-1FR	Knob		2
2	GHB1340-2FR	Pin	3×18	2
3	10208	Bushing		2
4	10204	Screw		2
5	10201	Sleeve		2
6	10401	Brass Finger		2
7	TS-1523011	Set Screw	M6×8	2
8	TS-1540041	Nut	M6	2
9	TS-1523061	Set Screw	M6×16	2
10	10104	Base Casting		1
11	TS-1504071	Hex Socket Cap Screw	M8×35	2
	GHB1340-FR	Follow Rest Complete		1

**Breakdown for CE GHB-1340A Metal Lathe
Steady Rest**



**Parts List for CE GHB-1340A Metal Lathe
Steady Rest**

Index Part No.	Part No.	Description	Size	Qty.
1	GHB1340-1FR	Knob		3
2	GHB1340-2FR	Pin	3×18	3
3	10203	Bushing		3
4	10204	Screw		3
5	10201	Sleeve		3
6	10401	Brass Finger		3
7	10205	Lock Knob		1
8	TS-1540041	Nut	M6	3
9	TS-1523051	Set Screw	M6×16	3
10	TS-1540041	Nut	M6	1
11	GHB1340-11SR	Bolt	M6×30	1
12	10206	Pivot Bolt		1
13	10102	Base Casting		1
14	TS-1540081	Nut	M12	1
15	TS-1550081	Flat Washer	M12	1
16	TS-1523021	Set Screw	M6×8	3
17	10103	Clamp Pad		1
18	TH1340-18SR	Clamp Screw		1
19	10101	Top Casting		1
20	GHB1340-20SR	Pin	5×25	1
	GHB1340-SR	Steady Rest Complete		1

**Parts List for CE GHB-1340A Metal Lathe
Additional Parts (Not Shown)**

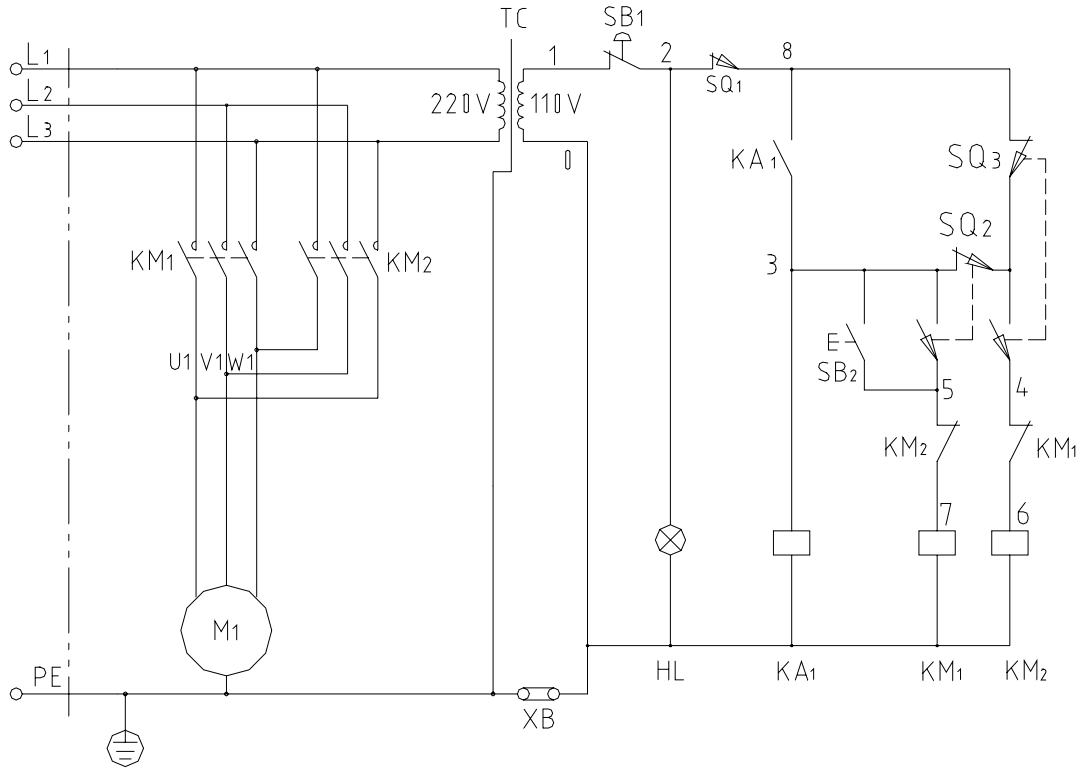
Index Part No.	Part No.	Description	Size	Qty.
.....	GHB1340-FP	Face Plate 12"	D1-4	1
.....	GHB1340-TBC	Tool Box Complete		1
.....	321449	Chuck 6", 3-jaw	D1-4	1
.....	321430	Chuck 8", 4-jaw independant	D1-4	1
.....	GHB1340A-CG1E	Change Gear	1.25m30T	1
.....	GHB1340A-CG2E	Change Gear	1.25m52T	1
.....	GHB1340A-CG3E	Change Gear	1.25m60T	1

**Parts List for CE GHB-1340A Metal Lathe
Additional Electrical Components (Not Shown)**

Index Part No.	Part No.	Description	Size	Qty.
.....	321320EA	Motor (2HP, 3Ph, 50HZ, 400V)		1
.....	GHB1340-MP	Motor Pulley		1
.....	GHB1340-EBC	Electrical Box Complete		1
.....	GHB1340-18701	Electrical Box (bare)		1
.....	GHB1340-JB	Motor Junction Box		1
.....	GHB1340A-RSB	Rotary Switch Box		1
.....	GHB1340A-SP	Electric Switch Plate (GHB1340A Only)		1

Breakdown for CE GHB-1340A Metal Lathe

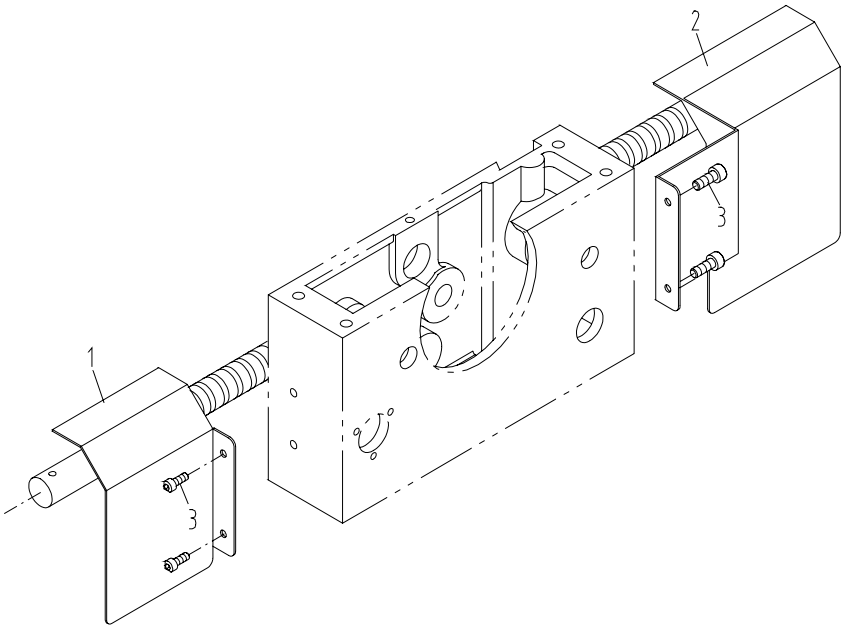
Electrical Schematic-GHB-1340A



Parts List for CE GHB-1340A Metal Lathe Electrical Schematic-GHB-1340A

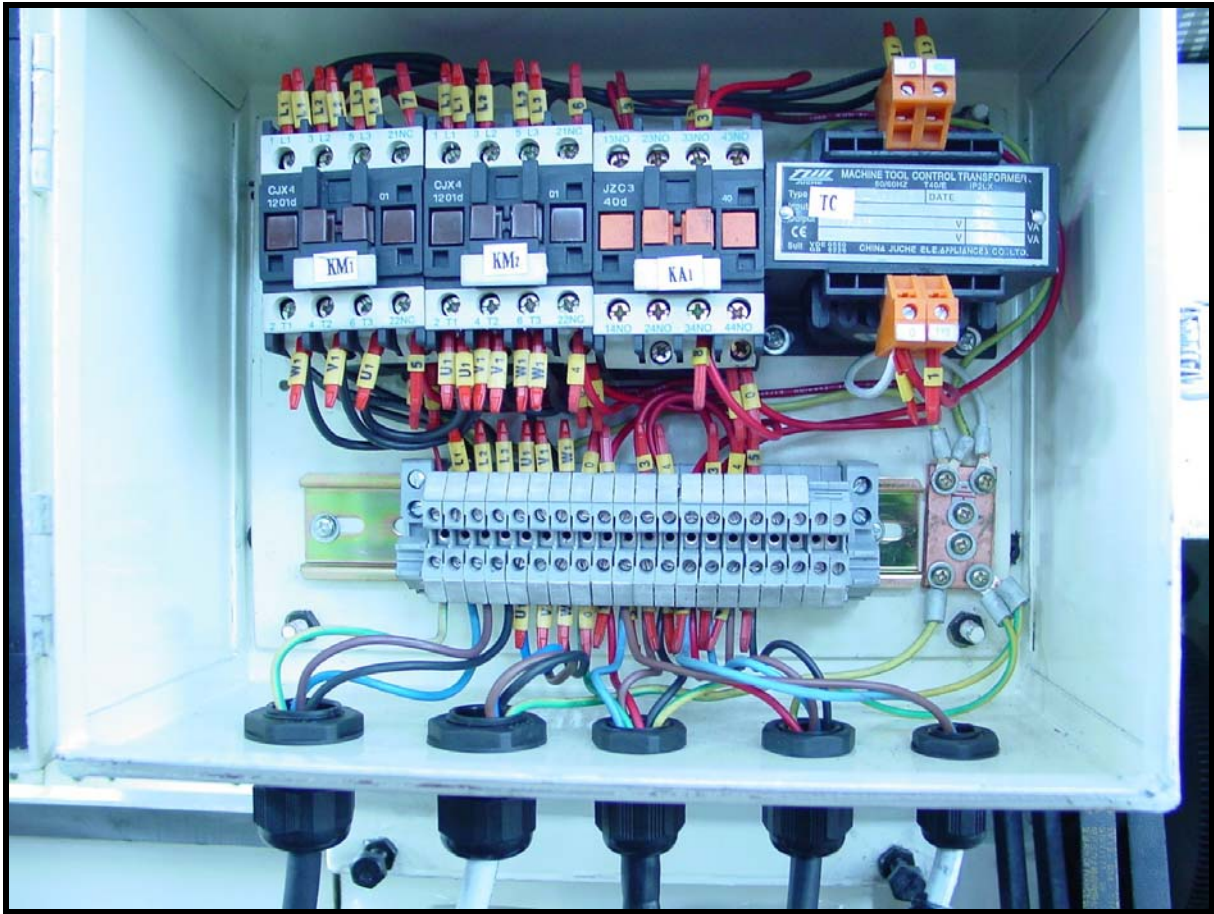
Index No.	Part No.	Description	Size	Qty.
SB1	GHB1340-SB1	Emergency Stop	LAY12	1
SB2	GHB1340-SB2	Jog Button	LAY12	1
HL	GHB1340-HL	Power Indicator Light	LAY12	1
KA1	GHB1340-KA1	Relay	JZC340D	1
KM1	GHB1340-KM1	A.C Contactor	CJX4-1201D	1
KM2	GHB1340-KM2	A.C Contactor	CJX4-1201D	1
TC	GHB1340-TC	Control Transformer	JBK3-63TH	1
SQ1	GHB1340-SQ1	Stroke Switch	LXW5-11Q1	1
SQ2	GHB1340-SQ2	Stroke Switch	LXW5-11D1	1
SQ3	GHB1340-SQ3	Stroke Switch	LXW5-11D1	1
XT1	GHB1340-XT1	Wiring Board	JWD2.5B	1
XB	GHB1340-XB	Copper Plate (for Grounding)		1

**Breakdown for CE GHB-1340A Metal Lathe
Protecting guards for three rods**

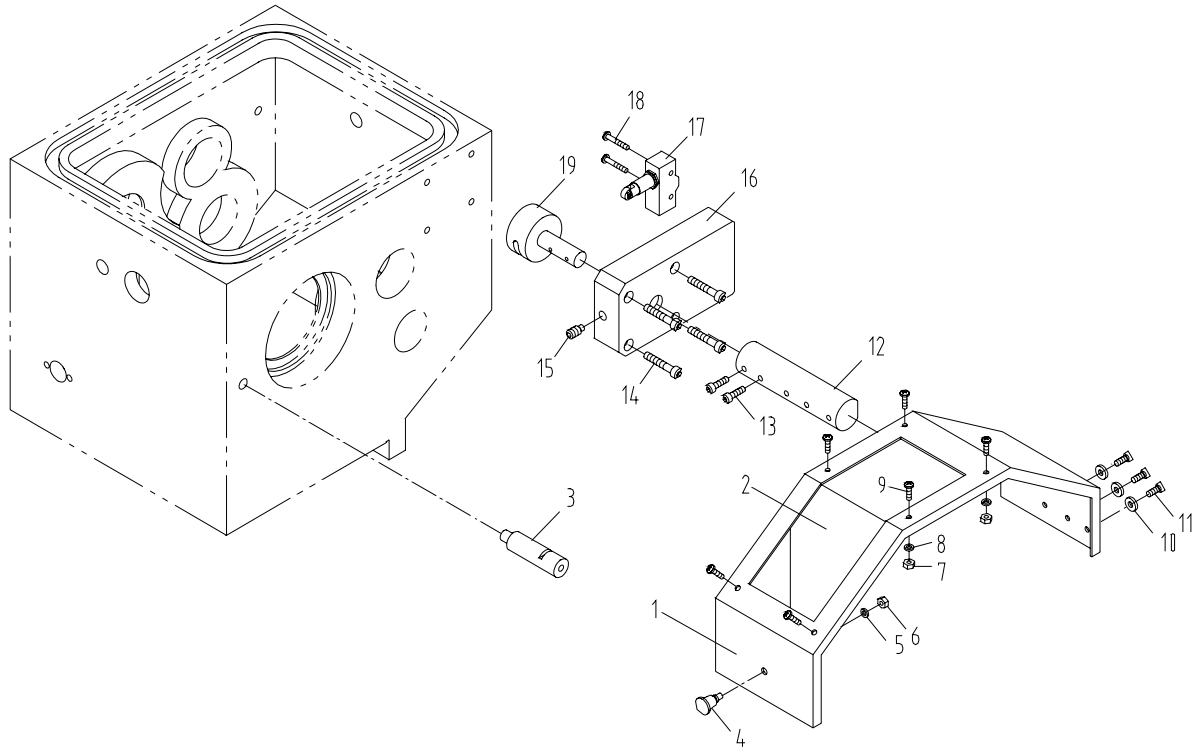


**Breakdown for CE GHB-1340A Metal Lathe
Protecting guards for three rods**

Index. Part				
No.	No.	Description	Size	Qty.
1	GHB1340A-20701E	Splash Guard		1
2	GHB1340A-20702E	Splash Guard		1
3	GHB1340A-P03E	Hex Socket Cap Screw	M5x8	4



Breakdown for CE GHB-1340A Metal Lathe Safety guard cover



Parts List for CE GHB-1340A Metal Lathe Safety guard cover

Index No.	Part No.	Description	Size	Qty.
1	GHB1340A-19701BE	Protection guard		1
2	GHB1340A-19501E	Protection guard visual glass		1
3	GHB1340A-19704E	Fixing rod		1
4	GHB1340A-SGC-04	Handle	HY32-1	1
5	TS-1551031	Spring lock washers	5	1
6	TS-1540031	Hex Nut	M5	1
7	TS-1540021	Hex Nut	M4	6
8	GHB1340A-SGC-08	Plain Washer	5	6
9	GHB1340A-SGC-09	Cross Head Screw	M4x12	6
10	GHB1340A-SGC-10	Plain Washer	5	3
11	TS-1502041	Hex Socket Cap Screw	M5x16	3
12	GHB1340A-19703AE	Rest bar		1
13	GHB1340A-SGC-13	Set Screw	M5x10	2
14	TS-1503071	Hex Socket Cap Screw	M6x35	4
15	TS-1524051	Set Screw	M8x16	1
16	GH1440A-19101AE	Switch box		1
17	GHB1340A-SGC-17	Stroke switch	LXW5-11Q1	1
18	GHB1340A-SGC-18	Slotted pan head screws	M4x25	2
19	GHB1340A-19703AE	Rest bar		1