

J E T

GHD-27

Gear Head Drill Press

400/50/3

**PARTS LIST
ERSATZTEILLISTE
LISTE DE PIECES**

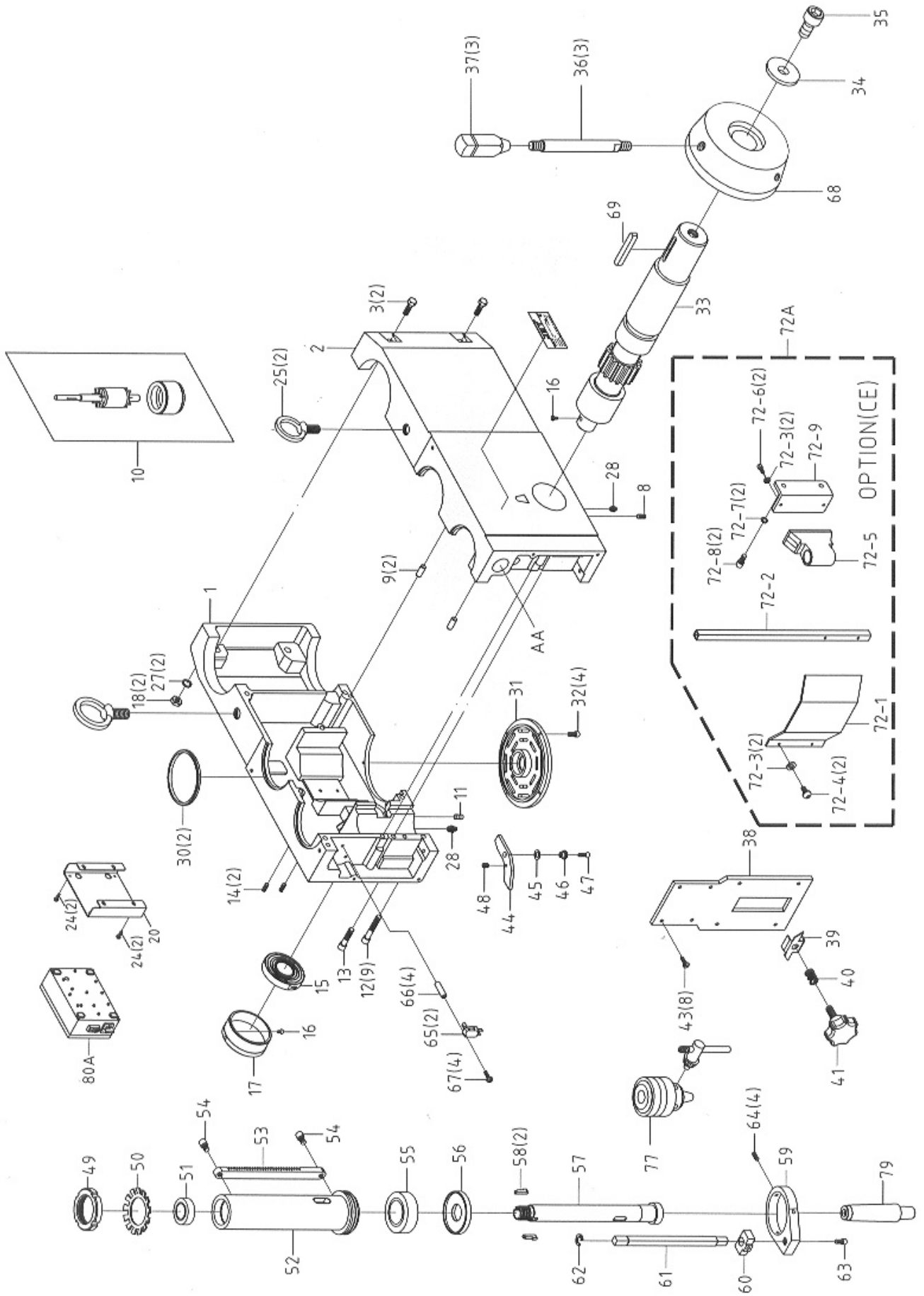
WMH Tool Group AG

Bahnstrasse 24, CH – 8603 Schwerzenbach
www.wmhtoolgroup.ch; info@wmhtoolgroup.ch
Tel +41 (0) 44 806 47 48
Fax +41 (0) 44 806 47 58

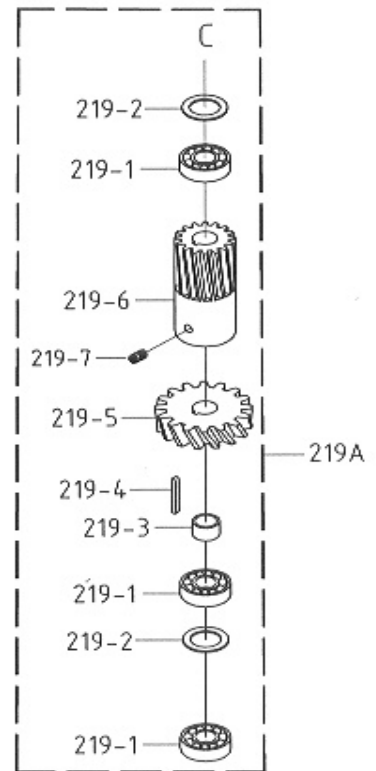
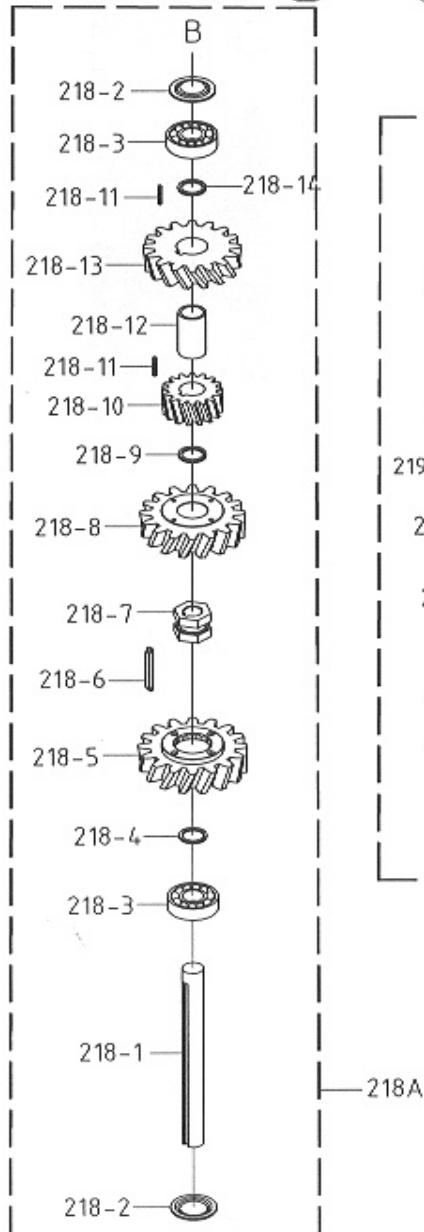
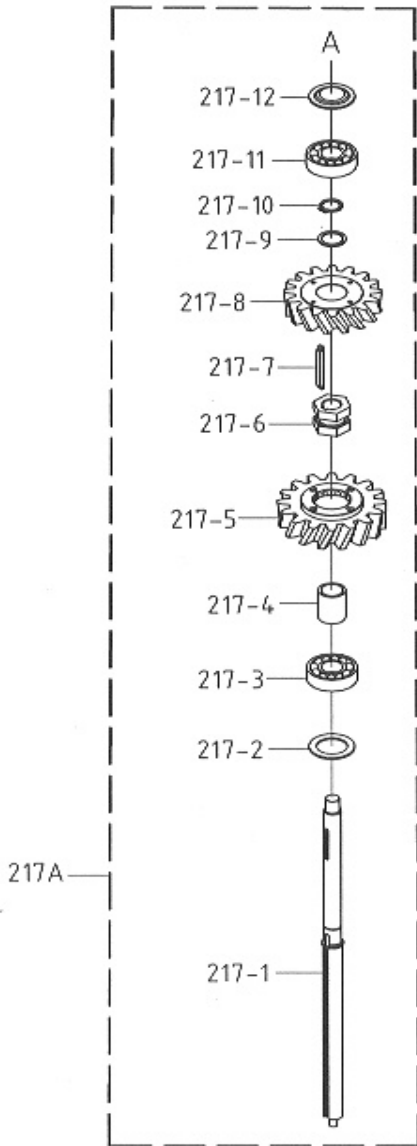
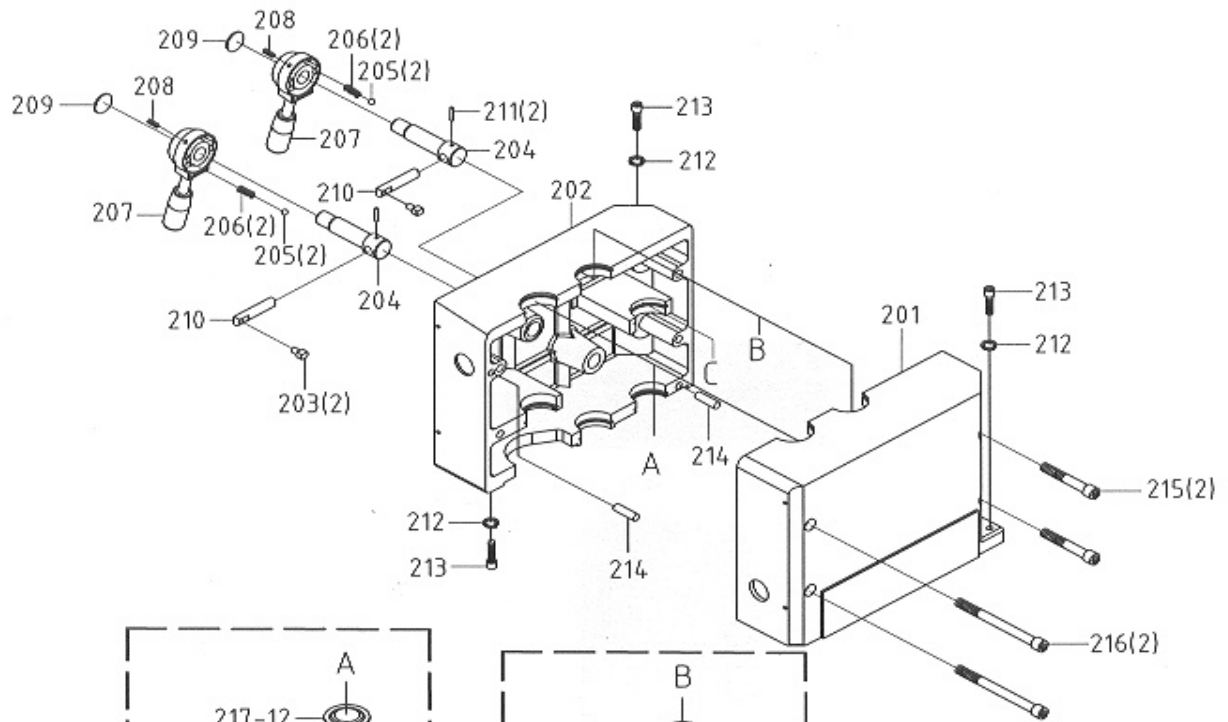


P- 50000406T 03/05

Breakdown for Transmission Assembly



Breakdown for Transmission Assembly



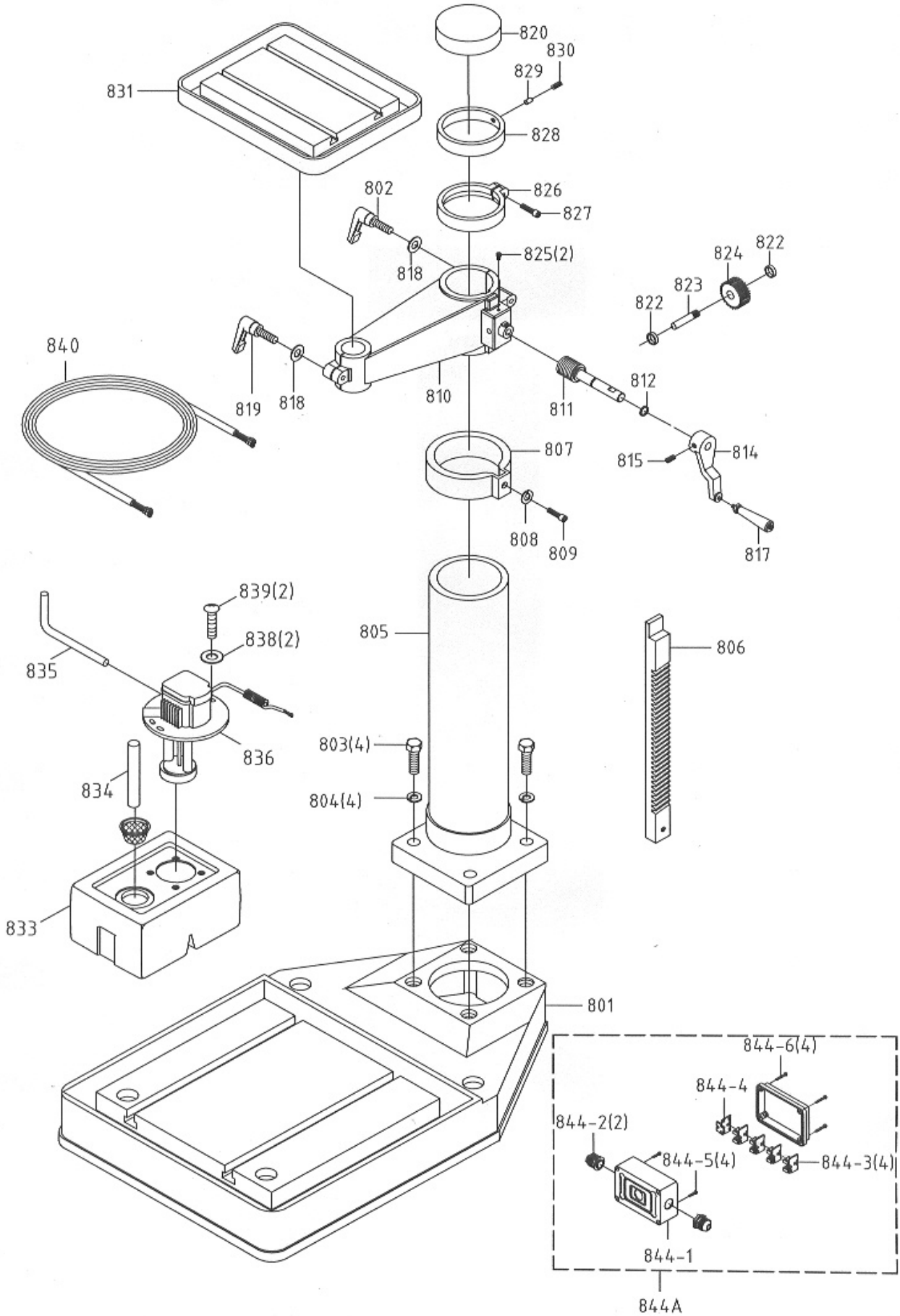
Parts List for Transmission & Head Assembly

Index No.	Part No.	Description	Size	Qty.
1.....	GHD27-01	Head Body(Right)		1
2.....	GHD27-02	Head Body(Left)		1
3.....	GHD22-03	Hex. Head Screw	M12x140	2
4.....	GHD27-04	Contactora		1
5.....	GHD27-05	Cover		1
6.....	GHD27-06	Flat Cross Head Screw	M4x10	4
8.....	GHD22-08	Hex. Socket Headless Screw	M6x15	1
9.....	GHD22-09	Pin	ø 8x28	2
10.....	GHD27-10AE	Motor 400/50/3	2HP/400V/3PH	1
11.....	GHD22-11	Hex. Socket Headless Screw	M8x20	1
12.....	GHD22-12	Hex. Socket Head Screw	M8x90	9
13.....	GHD22-13	Hex. Socket Head Screw	M8x70	1
14.....	GHD22-14	Hex. Socket Headless Screw	M6x10	2
15.....	GHD22-15	Spring		1
16.....	GHD22-16	Flat Cross Head Screw	M4x5	1
17.....	GHD22-17	Spring Cover		1
18.....	GHD22-18	Hex. Nut	M12	2
21.....	GHD27-21	Control Box Base		1
23.....	GHD27-23	Motor Cable		1
24.....	GHD22-24	Cross Round Head Screw	M5x10	4
25.....	GHD22-25	Retainer Ring		2
27.....	GHD22-27	Spring Washer	M12	2
28.....	GHD22-28	Oil Nozzle	PT1/8"	2
29.....	GHD27-29	Plug		2
30.....	GHD22-30	Bushing		2
31.....	GHD22-31	Cover		1
32.....	GHD22-32	Hex. Socket Head Screw	M5x15	4
33.....	GHD23-33	Pinion Shaft		1
34.....	GHD22-34	Washer		1
35.....	GHD22-35	Hex. Socket Head Screw	M6x25	1
36.....	GHD22-36	Handle		3
37.....	GHD22-37	Knob		3
38.....	GHD27-38	Name Plate		1
39.....	GHD22-39	Limit Plate		1
40.....	GHD22-40	Spring		1
41.....	GHD22-41	Plum Screw		1
42.....	GHD27-42	Emergency Switch		1
43.....	GHD22-43	Hex. Socket Head Screw	M4x10	8
44.....	GHD22-44	Bracket		1
45.....	GHD22-45	Washer	ø 11x ø 18x1t	1
46.....	GHD22-46	Fixed Shaft		1
47.....	GHD22-47	Flat Cross Head Screw	M5x16	1
48.....	GHD22-48	Steel Ball	M8	1
49.....	GHD22-49	Hex. Nut	M25	1
50.....	GHD22-50	Washer		1
51.....	GHD22-51	Bearing	6205ZZ	1
52.....	GHD22-52	Rack Sleeve	MT3	1
53.....	GHD22-53	Rack		1
54.....	GHD22-54	Hex. Socket Head Screw	M8x10	2
55.....	GHD22-55	Bearing	320088 MT3	1
56.....	GHD22-56	Bushing	MT3	1
57.....	GHD22-57	Spindle Shaft	MT3	1
58.....	GHD22-58	Key		2

Index No.	Part No.	Description	Size	Qty.
59.....	GHD22-59	Feed Base		1
60.....	GHD22-60	Bracket		1
61.....	GHD22-61	Depth Gauge Rod		1
62.....	GHD22-62	E-Retainer Ring		1
63.....	GHD22-63	Hex. Socket Head Screw	M6x20	1
64.....	GHD22-64	Hex. Socket Headless Screw	M6x10	4
65.....	GHD22-68	Handle Body		1
67.....	GHD22-69	Key	6x6x30L	1
70A....	GHD22-72A	Chuck Guard Assembly		1
70-1 ...	GHD22-72-1	Chuck Guard		1
70-2 ...	GHD22-72-2	Chuck Guard Supporting Rod		1
70-3 ...	GHD22-72-3	Spring Washer	M5	4
70-4 ...	GHD22-72-4	Hex. Socket Head Screw	M5x10	2
70-5 ...	GHD22-72-5	Rotary Supporting Base		1
70-6 ...	GHD22-72-6	Hex. Socket Head Screw	M5x15	2
70-7 ...	GHD22-72-7	Spring Washer	M6	2
70-8 ...	GHD22-72-8	Hex. Socket Head Screw	M6x15	2
70-9 ...	GHD22-72-9	Switch Base		1
71.....	GHD27-71	Jet Nozzle		1
72.....	GHD27-72	Hex. Socket Headless Screw	M6x8L	1
73.....	GHD27-73	Valve		1
74.....	GHD27-74	Hex. Socket Head Screw	M8x16L	1
75.....	GHD27-75	Valve		1
76.....	GHD27-76	Power Head		1
77.....	GHD22-77	Chuck 16mm/B16.		1
79.....	GHD22-79	Chuck Arbor MT3/B16.		1
80A....	GHD27-80A	Switch Box Set		1
201.....	GHD22-201	Gear Box		1
202.....	GHD22-202	Gear Box		1
203.....	GHD22-203	Change Gear Lever		2
204.....	GHD22-204	Lever Shaft		2
205.....	GHD22-205	Steel Ball		4
206.....	GHD22-206	Spring		4
207.....	GHD22-207	Speed Lever		2
208.....	GHD22-208	Screw	M5x12	2
209.....	GHD22-209	Cover		2
210.....	GHD22-210	Gear Selector Finger		2
211.....	GHD22-211	Spring Pin	ø 3x20	2
212.....	GHD22-212	Spring Washer	M6	3
213.....	GHD22-213	Hex. Socket Head Screw	M6*1.0-25	3
214.....	GHD22-214	Pin	ø 8x25	2
215.....	GHD22-215	Hex. Socket Head Screw	M8x70	2
216.....	GHD22-216	Hex. Socket Head Screw	M8x90	2
217A..	GHD22-217A	Spindle Shaft Assembly		1
217-1 ..	GHD22-217-1	Spindle Shaft		1
217-2 ..	GHD22-217-2	Washer	ø 44x ø 30x2t	1
217-3 ..	GHD22-217-3	Bearing	6203ZZ	1
217-4 ..	GHD22-217-4	Bushing		1
217-5 ..	GHD22-217-5	Gear Set		1
217-6 ..	GHD22-217-6	Speed Change Bracket		1
217-7 ..	GHD22-217-7	Key	5x5*53	1
217-8 ..	GHD22-217-8	Gear Set		1
217-9 ..	GHD22-217-9	Washer	ø 25x ø 18x2t	1
217-10	GHD22-217-10	C-Retainer Ring		1
217-11	GHD22-217-11	Bearing	6302ZZ	1
217-12	GHD22-217-12	Bearing Cap		1

Index No.	Part No.	Description	Size	Qty.
218A	GHD22-218A	Shaft Assembly		1
218-1	GHD22-218-1	Shaft		1
218-2	GHD22-218-2	Bearing Cap		2
218-3	GHD22-218-3	Bearing	6203ZZ	2
218-4	GHD22-218-4	Bushing		1
218-5	GHD22-218-5	Gear Set		1
218-6	GHD22-218-6	Key	5x5L*53	1
218-7	GHD22-218-7	Speed Change Bracket		1
218-8	GHD22-218-8	Gear Set		1
218-9	GHD22-218-9	Bushing		1
218-10	GHD22-218-10	Gear		1
218-11	GHD22-218-11	Key	5x5x20	2
218-12	GHD22-218-12	Bushing		1
218-13	GHD22-218-13	Gear		1
218-14	GHD22-218-14	Bushing		1
219A	GHD22-219A	Gear Assembly		1
219-1	GHD22-219-1	Bearing	6203ZZ	3
219-2	GHD22-219-2	Washer	ø 44x ø 30x2t	2
219-3	GHD22-219-3	Bushing		1
219-4	GHD22-219-4	Key	5x5x40	1
219-5	GHD22-219-5	Gear		1
219-6	GHD22-219-6	Gear		1
219-7	GHD22-219-7	Hex. Socket Headless Screw	M4x5	1

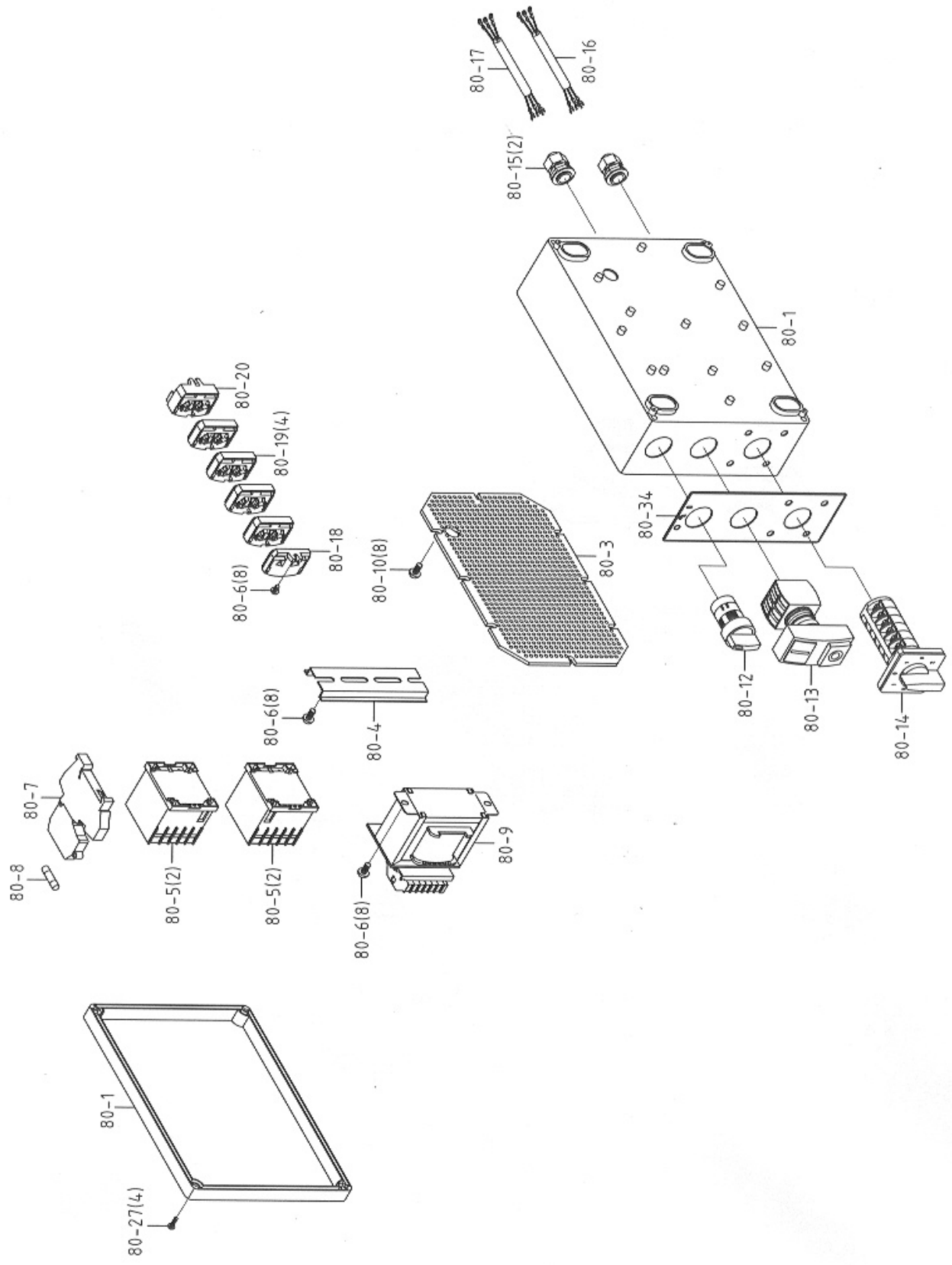
Breakdown for Table, Base, and Column Assembly



Parts List for Table, Base, and Column Assembly

Index No.	Part No.	Description	Size	Qty.
801.....	GHD27-801	Swivel Base.....		1
802.....	GHD22-802	Knob.....	M12x70	1
803.....	GHD22-803	Hex. Head Screw	M12x50	4
804.....	GHD22-804	Spring Washer	M12	4
805.....	GHD27-805	Column		1
806.....	GHD22-806	Rack		1
807.....	GHD27-807	Column Flange Ring		1
808.....	GHD22-808	Spring Washer	M6	1
809.....	GHD22-809	Hex. Socket Head Screw	M6x15	1
810.....	GHD27-810	Square Table Base		1
811.....	GHD22-811	Worm Shaft		1
812.....	GHD22-812	Bushing		1
814.....	GHD22-814	Head Handle		1
815.....	GHD22-815	Hex. Socket Headless Screw.....	3/8"x1/2".....	1
817.....	GHD22-817	Clamp Handle		1
818.....	GHD22-818	Washer.....	M12	2
819.....	GHD22-819	Knob.....	M12x50	1
820.....	GHD22-820	Column Head Assembly.....		1
822.....	GHD22-822	Bushing	ø 20x ø 5x5	2
823.....	GHD22-823	Worm Shaft		1
824.....	GHD22-824	Gear		1
825.....	GHD22-825	Oil Nozzle	PT1/8"	2
826.....	GHD27-826	Bearing Cover		1
827.....	GHD22-827	Hex. Socket Head Screw	M8x30	1
828.....	GHD27-828	Head Body Base		1
829.....	GHD22-829	Washer		2
830.....	GHD22-830	Hex. Socket Headless Screw.....	3/8"x1/2".....	2
831.....	GHD22-831	Square Working Table		1
833.....	GHD27-833	Coolant Tank.....		1
834.....	GHD27-834	Hose		1
835.....	GHD27-835	Hose		1
836.....	GHD27-836AE	Pump 400/50/3.....		1
838.....	GHD27-838	Washer	1/4"*16*1.5t	2
839.....	GHD27-839	Cross Round Head Screw.....	1/4"*3/4"L	42
840.....	GHD27-840	Pump cable		1
844A ..	GHD22-832A.....	Ground Box Assembly		1
844-1 ..	GHD22-844-1	Ground Box		1
844-2 ..	GHD22-832-2.....	Cable Setting Nut.....	PG13.5.....	2
844-3 ..	GHD22-832-3.....	Terminal Block		4
844-4 ..	GHD22-932-4.....	Side Plate		1
844-5 ..	GHD22-832-5.....	Cross Round Head Screw.....	M5x10	4
844-6 ..	GHD22-832-6.....	Screw	ø 3x20	4

Breakdown for Electrical Box Assembly



Parts List for Electrical Box Assembly

Index No.	Part No.	Description	Size	Qty.
80-1	GHD27-80-1	Switch Box		1
80-3	GHD27-80-2	Base Plate		1
80-4	GHD27-80-3	Bracket		1
80-5	GHD27-80-4	Contactora		2
80-6	GHD27-80-5	Cross Round Head Screw	φ4x10L	8
80-7	GHD27-80-6	Fuse Block		1
80-8	GHD27-80-7	Fuse Wirt		1
80-9	GHD27-80-8AE	Transformer 400V/24V		1
80-10	GHD27-80-9	Cross Round Head Screw	φ5x10L	8
80-12	GHD27-80-10	Selector Switch		1
80-13	GHD27-80-11	2 Switch Button		1
80-14	GHD27-80-12	Switch		1
80-15	GHD27-80-13	Cable Setting Nut		2
80-16	GHD27-80-14	Pump cable		1
80-17	GHD27-80-15	Power cable		1
80-18	GHD27-80-16	Terminal Base		1
80-19	GHD27-80-17	Terminal Base		4
80-20	GHD27-80-18	Terminal Base Plate		1
80-27	GHD27-80-19	Cross Round Head Screw	M4x15L	4
80-34	GHD27-80-20	Switch Name Plate		1

GHD-27 400/50/3

	colour of strands	Litzenfarben	couleur des cordons
BK	black	schwarz	noir
BU	blue	blau	bleu
BN	brown	braun	brun
GY	grey	grau	gris
GNYE	green-yellow	grün-gelb	vert-jaune

	meaning of symbol	Bedeutung der Zeichen	interprétation
F	fuse	Sicherung	fusible
M	main motor	Hauptmotor	moteur principal
JUMP1	emergency stop	Not-Aus Schalter	arrêt d'urgence
JUMP2	Blade Cover	Räderdeckel	couvercle du ruban
SB1	off switch	Aus-Schalter	bouton arrêt
SB2	start switch	Ein-Schalter	bouton marche
SA1	pump switch	Kühlmittel-Schalter	commutateur pompe
KM1	contactor (motor)	Hauptschütz	contacteur principale
TR	transformer	Transformator	transformateur
SA2	2/4P switch	Schalter 2/4 polig	bouton 2/4 pole
KM2	contactor (pump)	Kühlmittel Hauptschütz	contacteur pompe
M	Coolant Pump	Kühlmittelmotor	moteur pompe

