

# **J E T**

**HB-1648N BENCH HAND BREAK**  
**HB-2248N**

**HB-2248N....754222**

**HB-1648N....754216**

**PARTS LIST**  
**ERSATZTEILLISTE**  
**LISTE DE PIECES**

**WMH Tool Group AG**

Bahnstrasse 24, CH – 8603 Schwerzenbach  
[www.wmhtoolgroup.ch](http://www.wmhtoolgroup.ch); [info@wmhtoolgroup.ch](mailto:info@wmhtoolgroup.ch)

Tel +41 (0) 44 806 47 48

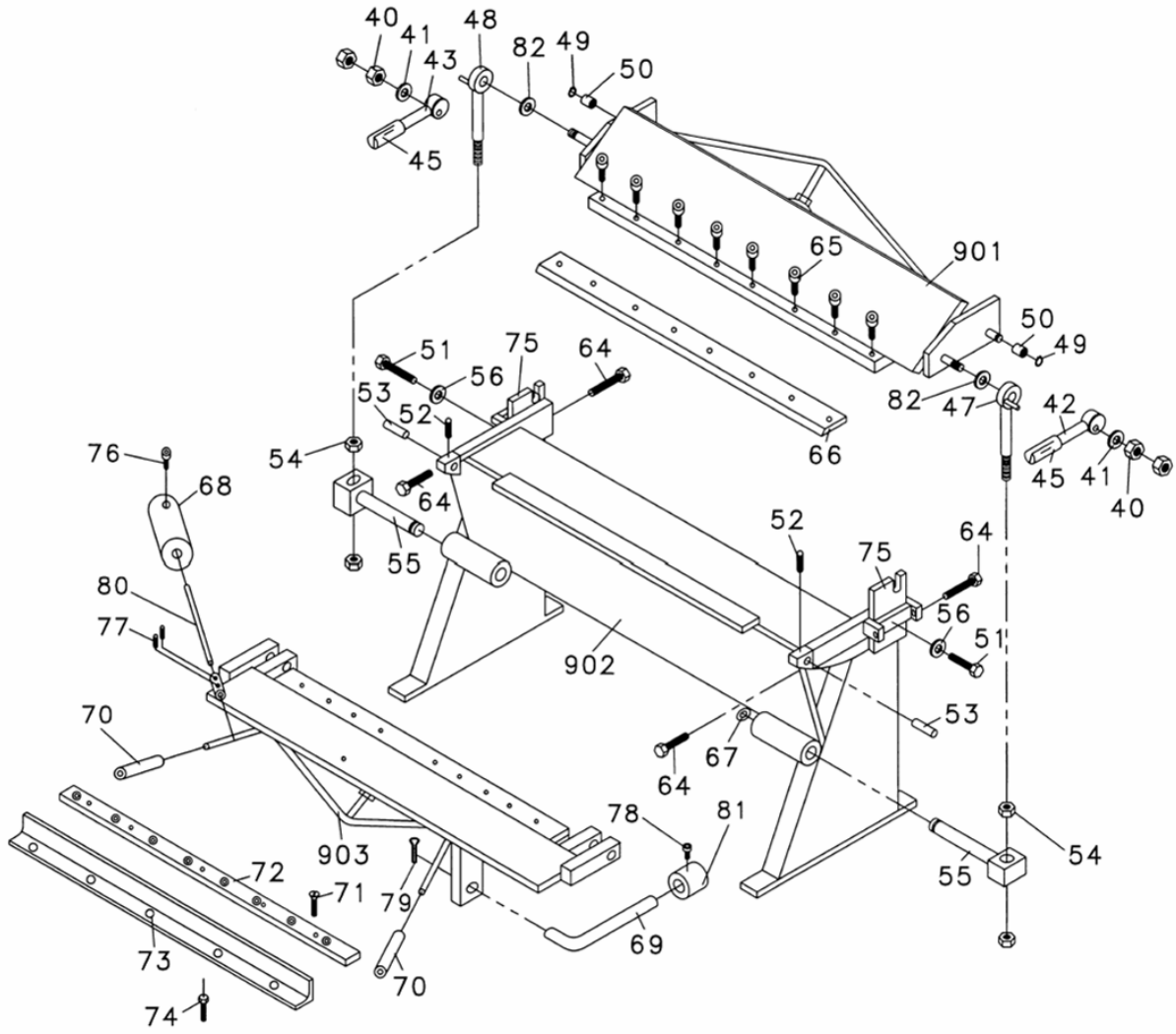
Fax +41 (0) 44 806 47 58

P-754222/ 754216 12/05



# Breakdown for HB-2248N & HB-1648N Bench Hand Brake

X



**Parts List for the BP-1648N & BP-2248N Bench Hand Brake**

<b>Index No.</b>	<b>Part No.</b>	<b>Description</b>	<b>Size</b>	<b>Quantity</b>
901.....	HB1648N-901 .....	Hold Down Assembly.....		1
	HB2248N-901 .....	Hold Down Assembly.....		1
902.....	HB1648N-902 .....	Base Assembly.....		1
	HB2248N-902 .....	Base Assembly.....		1
903.....	HB1648N-903 .....	Apron Assembly.....		1
	HB2248N-903 .....	Apron Assembly.....		1
40.....	HB1648N-40 .....	Lock Nut .....	M16.....	4
41.....	HB1648N-41 .....	Flat Washer .....	M16.....	2
42.....	HB1648N-42 .....	Clamp Handle R.H.....		1
43.....	HB1648N-43 .....	Clamp Handle L.H.....		1
45.....	HB1648N-45 .....	Handgrip.....		2
47.....	HB1648N-47 .....	Yoke Assembly R.H.....		1
48.....	HB1648N-48 .....	Yoke Assembly L.H.....		1
49.....	HB1648N-49 .....	Retainer Ring.....	12 .....	2
50.....	HB1648N-50 .....	Bushing .....		2
51.....	HB1648N-51 .....	Hex Cap Screw.....	M12x30.....	2
52.....	HB1648N-52 .....	Set Screw.....	M6x10.....	2
53.....	HB1648N-53 .....	Hinge Pin.....		2
54.....	HB1648N-54 .....	Hex Nut .....	M16.....	4
55.....	HB1648N-55 .....	Swivel Pin.....		2
56.....	HB1648N-56 .....	Washer.....	M12.....	2
64.....	HB1648N-64 .....	Hex Cap Screw.....	M8x50.....	4
65.....	HB1648N-65 .....	Screw.....	M8x10.....	8
66.....	HB1648N-66 .....	Holddown .....		1
67.....	HB1648N-67 .....	C-Clip.....	22 .....	2
68.....	HB1648N-68 .....	Counter Weight.....		1
69.....	HB1648N-69 .....	Stop Rod .....		1
70.....	HB1648N-70 .....	Pipe.....		2
71.....	HB1648N-71 .....	Flat Head Screw.....	M8x16.....	8
72.....	HB1648N-72 .....	Blade.....		1
73.....	HB1648N-73 .....	Angle Support.....		1
74.....	HB1648N-74 .....	Hex Cap Screw.....	M8x25.....	5
75.....	HB1648N-75 .....	Step Bracket L & R .....		2
76.....	HB1648N-76 .....	Socket Head Cap Screw.....	M8x30.....	1
77.....	HB1648N-77 .....	Set Screw.....	M8x10.....	2
78.....	HB1648N-78 .....	Socket Head Cap Screw.....	M10x14.....	1
79.....	HB1648N-79N.....	Cotter Pin .....	2x20.....	1
80.....	HB1648N-80 .....	Rod .....		1
81.....	HB1648N-81 .....	Stop.....		1
82.....	HB1648N-82 .....	Flat Washer .....	M20.....	2
	HB1648N-ID.....	ID Label (not shown).....		1
	HB2248N-ID.....	ID Label (not shown).....		1
	HB1648N-W.....	Warning Label (not shown) .....		1
	HB1648N-J .....	JET Label (not shown) .....		1