

# **J E T**

**HBS-1018W**

**Metal Working Bandsaw**

**414473T**

**400/50/3**

**PARTS LIST  
ERSATZTEILLISTE  
LISTE DE PIECES**

**WMH Tool Group AG**

Bahnstrasse 24, CH – 8603 Schwerzenbach

[www.wmhtoolgroup.ch](http://www.wmhtoolgroup.ch); [info@wmhtoolgroup.ch](mailto:info@wmhtoolgroup.ch)

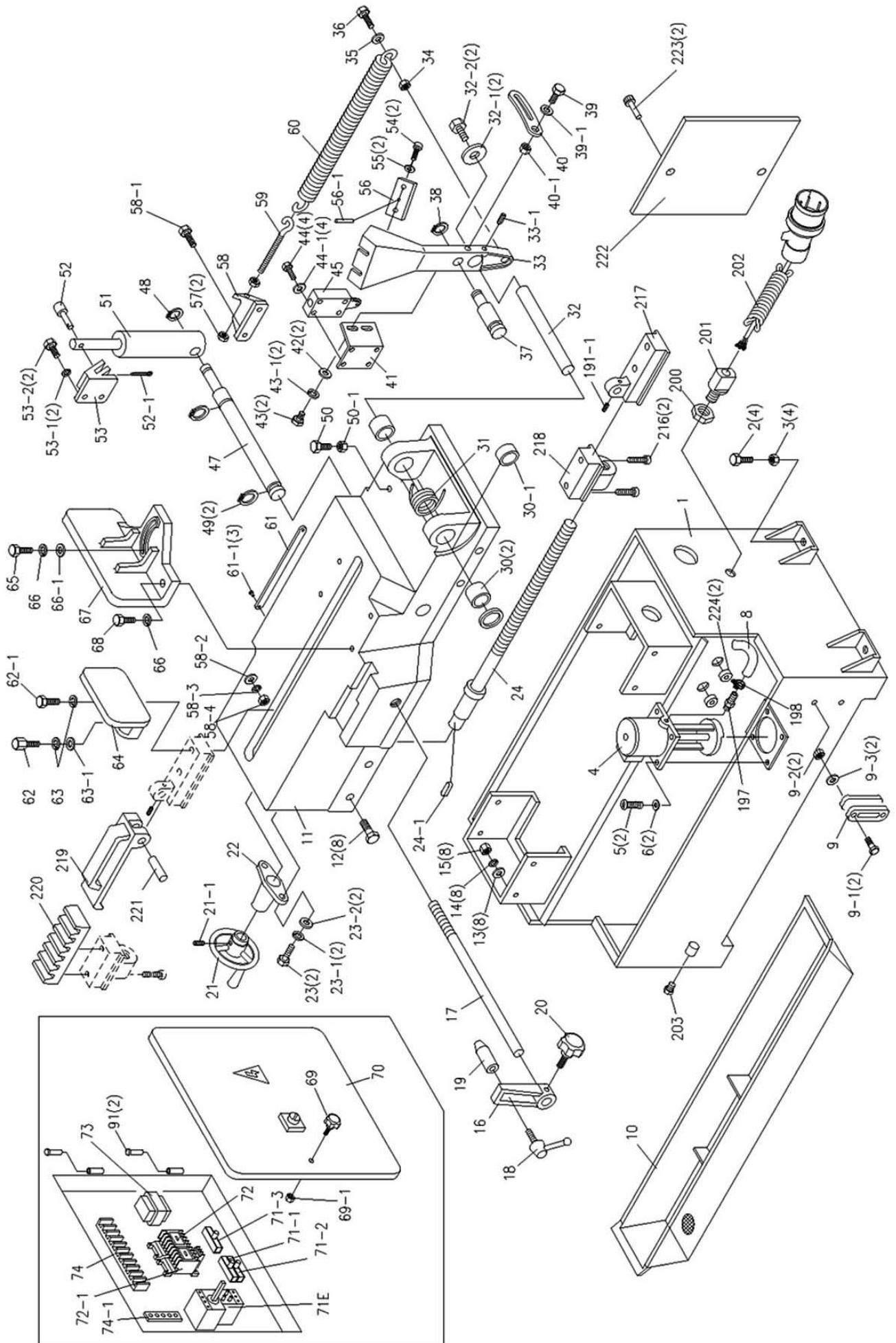
Tel +41 (0) 44 806 47 48

Fax +41 (0) 44 806 47 58

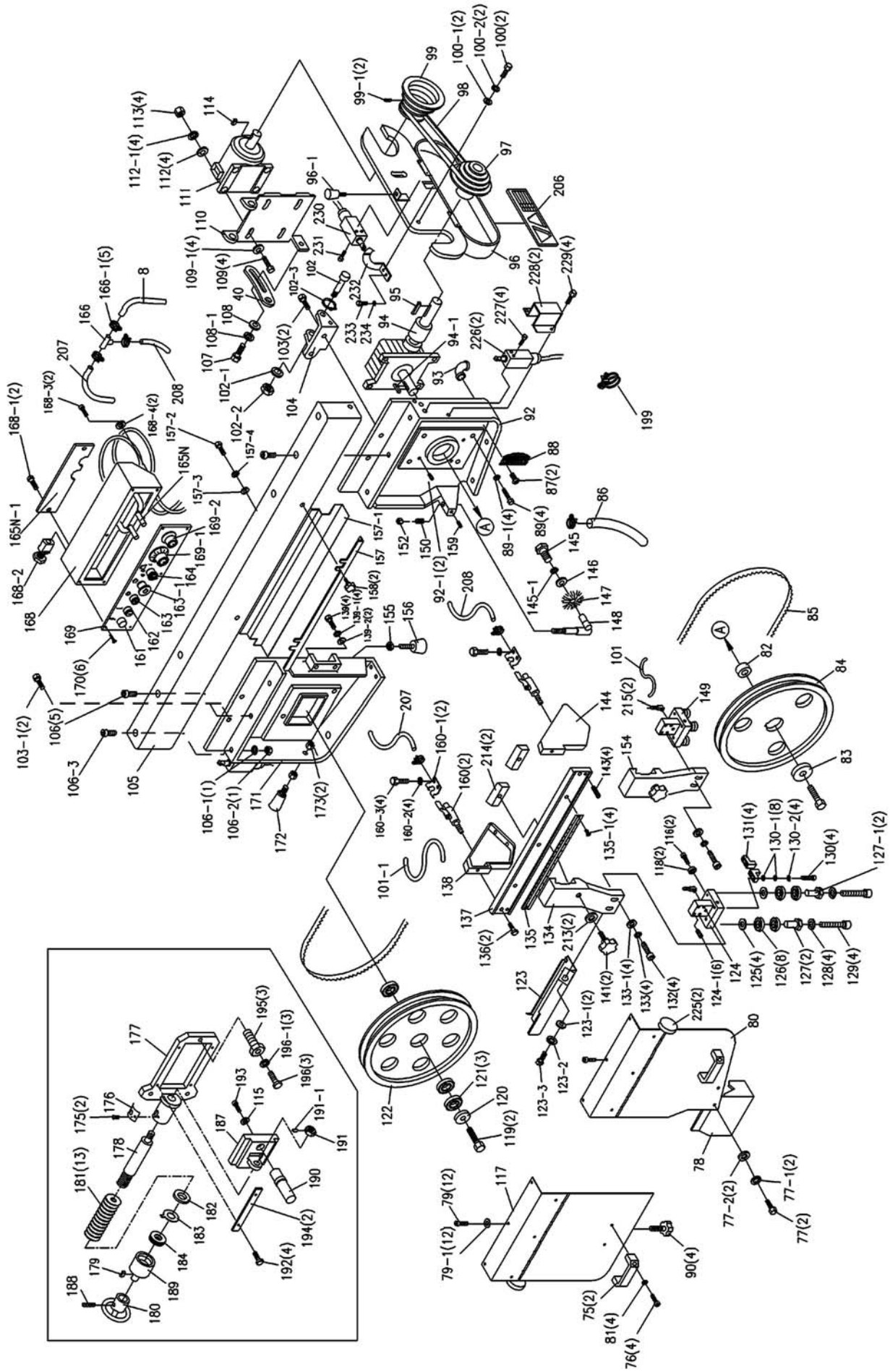


P-414473T 04/06

# Base and Bed Assembly



# Saw Arm Assembly



## Parts List for the HBS-1018W Bandsaw

Index No.	Part No.	Description	Size	Qty
1.....	HBS1018W-01A.....	Base (S/N:808719 and higher) .....		1
2.....	TS-1492071.....	Hex Cap Bolt.....	M12x70 .....	4
3.....	TS-1540081.....	Hex Nut.....	M12 .....	4
4.....	<b>HBS1018W-CPAE.....</b>	<b>Coolant Pump .....</b>	<b>400V.....</b>	<b>1</b>
	HBS1018W-PLAE .....	Pump Label for CE (not shown).....		1
5.....	TS-1531051.....	Pan Head Screw .....	M6x16 .....	2
6.....	TS-1551061.....	Lock Washer .....	M6 .....	2
8.....	HBS916W-08 .....	Hose.....		1
9.....	HBS916W-09 .....	Coolant Gauge.....		1
9-1.....	TS-1491041.....	Hex Cap Bolt.....	M10x30 .....	2
9-2.....	TS-1540071.....	Hex Nut.....	M10 .....	2
9-3.....	TS-1550071.....	Flat Washer.....	M10 .....	2
10.....	HBS1018W-10 .....	Chip Tray.....		1
11 .....	HBS1018W-11A .....	Bed (S/N:808719 and higher) .....		1
12.....	TS-1490051.....	Hex Cap Bolt.....	M8x30 .....	8
13.....	TS-1550061.....	Washer.....	M8 .....	8
14.....	TS-1551081.....	Lock Washer .....	M8 .....	8
15.....	TS-1540061.....	Hex Nut.....	M8 .....	8
16.....	HBS916W-16 .....	Stop Bracket.....		1
17.....	HBS916W-17 .....	Stop Rod .....		1
18.....	HBS916W-18 .....	Lock Handle .....		1
19.....	HBS916W-19 .....	Work Stop.....		1
20.....	HBS916W-20 .....	Lock Knob .....		1
21.....	HBS1018W-21 .....	Hand Wheel Assembly.....		1
21-1.....	HBS916W-21-1 .....	Set Screw.....	5/16 x 8 .....	1
22.....	HBS1018W-22 .....	Lead Screw Seat.....		1
23.....	TS-1490051.....	Hex Cap Screw .....	M8x30 .....	2
23-1.....	TS-1551061.....	Lock Washer .....	M8 .....	2
23-2.....	TS-1550061.....	Washer.....	M8 .....	2
24.....	HBS1018W-24A.....	Lead Screw (S/N:808719 and higher) .....		1
24-1.....	HBS916W-24-1 .....	Key .....	5x5x20MM.....	1
30.....	HK-2516-2RS .....	Needle Bearing .....		2
30-1.....	HBS916-30-1 .....	Bushing .....		1
31.....	HBS1018W-31 .....	Torsion Spring .....		1
32.....	HBS916W-32 .....	Pivot Shaft.....		1
32-1.....	TS-1550041.....	Washer.....	M12 .....	2
32-2.....	HBS916W-32-2 .....	Bolt /w Zerk Fitting .....		2
33.....	HBS1018W-33 .....	Pivot Bracket.....		1
33-1.....	TS-1525021.....	Set Screw.....	M10x12 .....	1
34.....	TS-1540081.....	Nut.....	M12 .....	1
35.....	TS-1550081.....	Washer.....	M12 .....	1
36.....	TS-1492041.....	Hex Cap Bolt.....	M12x40 .....	1
37.....	HBS916W-37 .....	Torsion Spring Shaft.....		1
38.....	HBS916W-38 .....	C-Ring.....	S-22.....	1
39.....	TS-1490041.....	Hex Cap Bolt.....	M8x25 .....	1
39-1.....	TS-1551081.....	Lock Washer .....	M8 .....	1
40.....	HBS1018W-40 .....	Motor Tilt Plate .....		1
40-1.....	TS-1540061.....	Hex Nut.....	M8 .....	1
41.....	HBS916W-41 .....	Limit Switch Plate.....		1

**Index Part**

<b>No.</b>	<b>No.</b>	<b>Description</b>	<b>Size</b>	<b>Qty</b>
42.....	TS-1550061.....	Washer.....	M8.....	2
43.....	TS-1490031.....	Hex Cap Bolt.....	M8x20.....	2
43-1.....	TS-1550061.....	Lock Washer.....	M8.....	2
44.....	TS-1482021.....	Hex Cap Screw.....	M6X12.....	4
44-1.....	TS-1550041.....	Flat Washer.....	M6.....	4
45.....	HBS916W-45.....	Limit Switch.....		1
47.....	HBS1018W-47A.....	Cylinder Pin.....		1
48.....	HBS916W-48.....	C-Ring.....	S-20.....	1
49.....	HBS916W-49.....	C-Ring.....	S-25.....	2
50.....	TS-1491041.....	Hex Cap Bolt.....	M10x30.....	1
50-1.....	TS-1540071.....	Hex Nut.....	M10.....	1
51.....	HBS1018W-51.....	Hydraulic Cylinder Assembly.....		1
52.....	HBS916W-52.....	Cylinder Pin.....		1
52-1.....	HBS916W-52-1.....	Pin.....		1
53.....	HBS1018W-53.....	Hydraulic Mounting Plate - Top.....		1
53-1.....	TS-1551071.....	Lock Washer.....	M10.....	2
53-2.....	TS-1491041.....	Hex Cap Bolt.....	M10x30.....	2
54.....	TS-1492051.....	Hex Cap Bolt.....	M12x50.....	2
55.....	TS-1550081.....	Washer.....	M12.....	2
56.....	HBS916W-56.....	Plate.....		1
56-1.....	HBS916W-56-1.....	Pin.....	M5x45.....	1
57.....	TS-0561051.....	Hex Nut.....	1/2".....	2
58.....	HBS916W-58.....	Spring Bracket.....		1
58-1.....	TS-1490051.....	Hex Cap Bolt.....	M8x30.....	2
58-2.....	TS-1550051.....	Washer.....	M8.....	2
58-3.....	TS-1551061.....	Lock Washer.....	M8.....	2
58-4.....	TS-1540061.....	Hex Nut.....	M8.....	2
59.....	HBS916W-59.....	Adjustable C-Bolt.....		1
60.....	HBS1018W-60.....	Spring.....		1
61.....	HBS916W-61.....	Angle Scale.....		1
61-1.....	HBS916W-61-1.....	Rivet.....	M2x5.....	3
62.....	TS-1492041.....	Hex Cap Bolt.....	M12x40.....	1
62-1.....	TS-1492051.....	Hex Cap Bolt.....	M12x50.....	1
63.....	TS-1551081.....	Lock Washer.....	M12.....	2
63-1.....	TS-1550081.....	Washer.....	M12.....	1
64.....	HBS916W-64.....	Vise Jaw – left.....		1
65.....	TS-1492051.....	Hex Cap Bolt.....	M12x50.....	1
66.....	TS-1551081.....	Lock Washer.....	M12.....	2
66-1.....	TS-1550081.....	Washer.....	M12.....	1
67.....	HBS916W-67.....	Vise Jaw – right.....		1
68.....	TS-1492041.....	Hex Cap Bolt.....	M12x40.....	1
69.....	HBS916W-69A.....	Knob (S/N 8081109 and higher).....	M6x30.....	1
69-1.....	HBS916W-69-1.....	Nut.....	M6.....	1
70.....	HBS1018W-70AE.....	Electrical Panel Cover.....		1
70-1.....	HBS1018W-70-1AE.....	Electrical Box Assembly.....	400V/3PH.....	1
71.....	HBS1018W-71E.....	General Switch.....		1
71-1.....	HBS1018W-71-1E.....	Fuse 2A.....		1
71-2.....	HBS1018W-71-2E.....	Fuse 2A.....		1
71-3.....	HBS1018W-71-3E.....	Fuse 3A.....		1
72.....	HBS1018W-72AE.....	Magnetic Switch.....		1
72-1.....	HBS1018W-72-1AE.....	Overload.....	400V/3PH.....	1
73.....	HBS1018W-73AE.....	Transformer.....	400V/3PH.....	1

**Index Part**

<b>No.</b>	<b>No.</b>	<b>Description</b>	<b>Size</b>	<b>Qty</b>
74.....	HBS1018W-74E.....	Terminal Strip.....		1
74-1.....	HBS1018W-74-1E.....	Grounding Plate.....		1
75.....	HBS916W-75.....	Handle.....		2
76.....	TS-1534051.....	Pan Head Screw.....	M6x16.....	4
77.....	TS-1482021.....	Hex Cap Bolt.....	M6x12.....	2
77-1.....	TS-1551041.....	Lock Washer.....	M6.....	2
77-2.....	TS-1550041.....	Washer.....	M6.....	2
78.....	HBS916W-78.....	Wire Brush Guard.....		1
79.....	TS-1503011.....	Hex Socket Cap Screw.....	M6x8.....	12
	HBS-1018W-79A.....	Adjustable Bracket Mount – rear (1018W only – not shown).....		1
79-1.....	TS-1550051.....	Washer (HBS1018 only).....	M6.....	12
80.....	HBS1018W-80.....	Blade Wheel Cover – right.....		1
81.....	TS-1550041.....	Washer.....	M6.....	4
82.....	HBS916W-82.....	Bushing.....		1
83.....	HBS916W-83.....	Washer.....		1
84.....	HBS1018W-84.....	Drive Wheel.....	14”.....	1
85.....		Blade (local purchase – 1018W).....		1
86.....	HBS916W-86.....	Hose.....		1
87.....	TS-1533031.....	Pan Head Screw.....	M5x10.....	2
88.....	HBS916W-88.....	Filter Screen.....		1
89.....	TS-1492031.....	Hex Cap Screw.....	M12x35.....	4
89-1.....	TS-1551081.....	Lock Washer.....	M12.....	4
90.....	HBS916W-90.....	Lock Knob.....		4
91.....	HBS916W-91.....	Hinge Pin.....		2
92.....	HBS1018W-92.....	Blade Wheel Box – right.....		1
92-1.....	TS-1525021.....	Set Screw.....	M10x12.....	2
93.....	HBS1018W-93.....	Connector.....		1
94.....	HBS1018W-94.....	Gear Box Assembly (can only order entire assembly).....		1
94-1.....	HBS916W-94-1.....	Key.....	7x7x45MM.....	1
95.....	HBS916W-95.....	Key.....	7MM.....	1
96.....	HBS1018W-96E.....	Pulley Cover.....		1
96-1.....	HBS916W-96-1.....	Lock Knob.....		1
97.....	HBS1018W-97.....	Gear Box Pulley.....		1
98.....	VB-A37.....	V-Belt ( for HBS-1018W).....		1
99.....	HBS1018W-99.....	Motor Pulley.....		1
99-1.....	TS-1524021.....	Set Screw.....	M8x10.....	2
100.....	TS-1482031.....	Hex Cap Bolt.....	M8x16.....	2
100-1.....	TS-1550061.....	Washer.....	M8.....	2
100-2.....	TS-1551061.....	Lock Washer.....	M8.....	2
101.....	HBS916W-101.....	Hose.....		1
101-1.....	HBS916W-101-1.....	Hose.....		1
102.....	HBS916W-102.....	Support Shaft.....		1
102-1.....	TS-1550081.....	Washer.....	M12.....	1
102-2.....	TS-1540081.....	Hex Nut.....	M12.....	1
102-3.....	HBS916W-102-3.....	C-Ring.....	S19.....	1
103.....	TS-1492021.....	Hex Cap Bolt.....	M12x30.....	2
103-1.....	HBS916W-103-1.....	Hex Cap Bolt.....	M12x20.....	2
104.....	HBS916W-104.....	Motor Mount Bracket.....		1
105.....	HBS1018W-105.....	Column.....		1
106.....	TS-1506011.....	Hex Socket Cap Screw.....	M12 x 20.....	5
106-1.....	TS-1551081.....	Lock Washer.....	M12.....	1
106-2.....	TS-1540081.....	Nut.....	M12.....	1

**Index Part**

<b>No.</b>	<b>No.</b>	<b>Description</b>	<b>Size</b>	<b>Qty</b>
106-3	TS-1506031	Hex Socket Cap Screw	M12 x 30	1
107	TS-1490031	Hex Cap Bolt	M8 x 20	1
108	TS-1550061	Washer	M8	1
108-1	TS-1551061	Lock Washer	M8	1
109	TS-1490081	Hex Cap Bolt	M8x45	4
109-1	TS-1550061	Washer	M8	4
110	HBS916W-110	Motor Mount Plate		1
111	HBS1018W-111AE	Motor (2 HP, 3Ph, 400V)	400V	1
	HBS1018W-MLAE	Motor Label (not shown)		1
112	TS-1550061	Washer	M8	4
112-1	TS-1551061	Lock Washer	M8	4
113	TS-1540061	Hex Nut	M8	4
114	HBS916-114	Key	7MM	1
115	TS-1550081	Washer	M12	1
116	TS-1504041	Hex Socket Cap Screw	M8x20	2
116-1	HBS916W-116-1	Shaft (HBS916W)		1
117	HBS1018W-117A	Blade Wheel Cover - left		1
118	BB-608VV	Ball Bearing		2
119	TS-1492011	Hex Cap Bolt	M12x25	2
120	TS-1550081	Washer	M12	1
121	BB-6205Z	Ball Bearing		3
122	HBS1018W-122A	Idler Wheel		1
123	HBS1018W-123A	Blade Guard		1
123-1	TS-1550061	Washer	M8	2
123-2	TS-1551061	Lock Washer	M8	1
123-3	TS-1490021	Hex Cap Bolt	M8x16	1
124	HBS1018W-124A	Guide Bracket Assembly – left		1
124-1	TS-1504031	Hex Socket Cap Screw (HBS1018W)	M8x16	6
125	TS-1540061	Washer	M8	4
126	BB-6201VV	Ball Bearing		8
127	HBS1018W-127	Eccentric Sleeve (outside) (HBS1018W)		2
127-1	HBS1018W-127-1	Eccentric Sleeve (inside) (HBS1018W)		2
128	TS1551061	Lock Washer	M8	4
129	TS1504091	Hex Socket Cap Screw	M8x45	4
130	TS1503071	Hex Socket Cap Screw	M6x30	4
130-1	TS-1550041	Washer	M6	8
130-2	TS-1551041	Lock Washer	M6	4
131	HBS916W-131	Blade Guide		4
132	TS-1504081	Hex Socket Cap Screw (HBS1018W)	M8x40	4
133	TS-1551081	Lock Washer (HBS1018W)	M8	4
133-1	TS-1550081	Washer (HBS1018W0	M8	4
134	HBS1018W-134A	Adjustable Bracket		1
135	HBS1018W-135	Dovetail Scale		1
135-1	HBS1018W-135-1	Pan Head Screw (HBS-1018W)	M5x8	4
136	TS-1505031	Hex Socket Cap Screw	M10x25	2
137	HBS1018W-137A	Slide		1
138	HBS1018W-138	Blade Bracket – left		1
139	TS-1492021	Hex Cap Bolt	M12x30	4
139-1	TS-1551081	Lock Washer	M12	4
139-2	TS-1550081	Washer	M12	2
141	HBS1018W-141	Knob		2
143	TS1524021	Set Screw	M8x10	4

**Index Part**

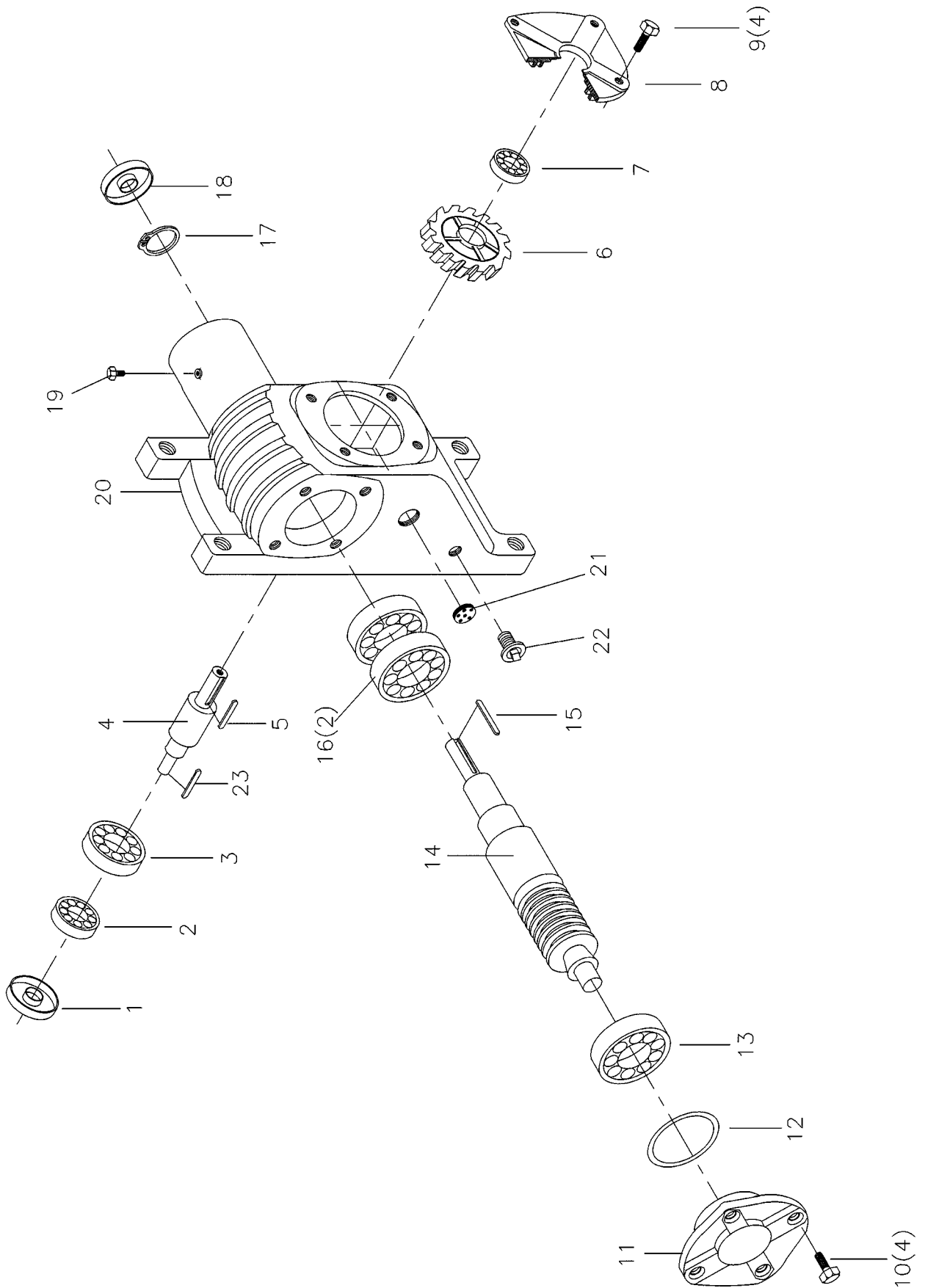
<b>No.</b>	<b>No.</b>	<b>Description</b>	<b>Size</b>	<b>Qty</b>
144.....	HBS1018W-144 .....	Blade Bracket – right.....		1
145.....	TS-1482011 .....	Hex Cap Bolt.....	M6x10 .....	1
145-1...	TS-1551041.....	Lock Washer .....	M6 .....	1
146.....	TS-1550041.....	Washer.....	M6 .....	1
147.....	HBS-1018W-147 .....	Wire Brush .....		1
148.....	HBS-1018W-148 .....	Wire Brush Rod.....		1
149.....	HBS-1018W-149A.....	Guide Bracket Assembly - right.....		1
150.....	HBS-1018W-150 .....	Spring.....		1
152.....	TS-1540071.....	Hex Nut .....	M10 .....	1
154.....	HBS1018W-154A .....	Adjustable Bracket – right (HBS-1018W) .....		1
155.....	TS-1540081.....	Hex Nut .....	M12 .....	1
156.....	TS-1492061.....	Hex Cap Bolt.....	M12x60 .....	1
157.....	HBS1018W-157A .....	Blade Guard.....		1
157-1...	HBS1018W-157-1 .....	Blade Guard – down .....		1
157-2...	TS-1482021.....	Hex Cap Bolt.....	M6x12 .....	2
157-3...	TS-1550041.....	Flat Washer.....	M6 .....	2
157-4...	TS-1551041.....	Lock Washer .....	M6 .....	2
158.....	HBS916W-158 .....	Lock Knob .....		2
159.....	TS-1523021.....	Set Screw.....	M6x8.....	1
160.....	HBS916W-160 .....	Adjusting Value .....		2
160-1...	HBS916W-160-1 .....	Clamp.....		2
160-2...	TS-1551041.....	Lock Washer .....	M6 .....	4
160-3...	TS-1482021.....	Hex Cap Bolt.....	M6x12 .....	4
161.....	HBS916W-161AE.....	Power Indicator Light .....	VDE.....	1
162.....	HBS916W-162E .....	Start Switch .....	VDE.....	1
163.....	HBS916W-163E .....	Stop Switch .....	VDE.....	1
163-1...	HBS916W-163-1E.....	Emergency Stop Switch.....	VDE.....	1
164.....	HBS916W-164E .....	Pump Switch .....	VDE.....	1
165N ..	HBS1018W-165NE .....	Feed Control-On/Off.....		1
165N-1	HBS1018W-165N-1E .....	Plate .....		1
166.....	HBS916W-166 .....	Connecting Tube.....		1
166-1...	HBS916W-166-1 .....	Hose Clamp .....		5
168.....	HBS916W-168 .....	Control Box .....		1
168-1...	HBS916W-168-1 .....	Pan Head Screw .....	M5x10.....	2
168-2...	HBS916W-168-2 .....	Stain Relief .....		1
168-3...	TS-1503031.....	Hex Socket Cap Screw .....	M6x12.....	2
168-4...	TS-1550041.....	Washer.....	M6 .....	2
169.....	HBS916W-169 .....	Control Panel .....		1
169-1...	HBS916W-169-1 .....	Cutting Feed Rate Selector.....		1
169-2...	HBS916W-169-2 .....	Feed Rate ON/OFF Switch.....		1
170.....	TS-1533031.....	Pan Head Screw .....	M5x10.....	6
171.....	HBS1018W-171 .....	Wheel Box - left.....		1
172.....	HBS916W-172 .....	Handle.....		1
173.....	TS-1540081.....	Hex Nut .....	M12 .....	2
175.....	TS-1533031.....	Pan Head Screw .....	M5x10 .....	2
176.....	HBS916W-176 .....	Indicator Scale .....		1
177.....	HBS916W-177 .....	Slide Bracket.....		1
178.....	HBS916W-178 .....	Tension Scale.....		1
179.....	HBS916W-179 .....	Key .....	5MM .....	1
180.....	HBS916W-180 .....	Handwheel .....		1
181.....	HBS916W-181 .....	Lock Washer .....	M22x45 .....	13
182.....	HBS916W-182 .....	Flat Steel Washer.....		1



**Index Part**

No.	No.	Description	Size	Qty
183	HBS916W-183	Tension Indicator		1
184	BB-51104	Thrust Bearing		1
187	HBS916W-187	Slide		1
188	TS-1524021	Set Screw	M8x10	1
189	HBS916W-189	Extension Bar		1
190	HBS916W-190	Wheel Shaft		1
191	HBS916W-191	Nut /w Hole for Set Screw	M14	1
191-1	TS-2276081	Set Screw	M6x8	1
192	TS-1504051	Hex Socket Cap Screw	M8x25	4
193	TS-1492011	Hex Socket Cap Screw	M12x25	1
194	HBS916W-194	Gib		2
195	HBS916W-195	Hex Cap Screw (re:HBS916W-196)		3
196	HBS916W-196	Screw Assembly		3
196-1	HBS916W-196-1	Lock Washer (re:HBS916W-196)		3
197	HBS916W-197	Hose Fitting		1
198	HBS916W-198	Hose Clamp		1
199	HBS1018W-199	Hose Clamp		1
200	HBS916W-200	Nut		1
201	HBS916W-201	Strain Relief Fitting		1
202	HBS916W-202AE	Power Cord with Plug (H07RN-F 4Gx1.0m m <sup>2</sup> ) 400V		1
202-1	HBS916W-202-1E	Control Cord (0.75m m <sup>2</sup> )(not shown)		1
202-2	HBS916W-202-2AE	Motor Cord (1.25m m <sup>2</sup> x4c)(not shown) 400V		1
203	HBS916W-203	Screw		1
204	HBS916W-204E	Name Plate(Not Shown)		1
206	HBS1018W-206E	Speed Chart Label		1
207	HBS916W-207	Hose		1
208	HBS916W-208	Hose		1
213	TS-1550071	Washer	M10	2
214	HBS1018W-214	Clamp		2
215	HBS1018W-215	Cu Connector		2
216	TS-1504051	Hex Socket Cap Screw	M8x25	2
217	HBS916W-217	Slide Bracket		1
218	HBS916W-218	Lead Screw Bracket		1
219	HBS1018W-219	Rack Block		1
220	HBS1018W-220	Rack		1
221	HBS916W-221	Pin		1
222	HBS1018W-222	Plate		1
223	TS-1503011	Hex Socket Cap Screw	M6x8	2
224	HBS916W-224	Rubber Ring		2
225	HBS1018W-225E	Door Limit Switch		2
226	HBS1018W-226E	Limit Switch		2
227	HBS1018W-227E	Round Head Screw	5/32x32	4
228	HBS1018W-228E	Limit Switch Guard		2
229	HBS1018W-229E	Round Head Screw	M5x10	4
230	HBS1018W-230E	Belt Cover Safety Limit Switch		1
231	HBS1018W-231E	Round Head Screw	5/32x32	2
232	HBS1018W-232E	Limit Switch Plate		1
233	HBS1018W-233E	Hex Cap Bolt	M6x12	2
234	HBS1018W-234E	Lock Washer	M6	2

# Gear Speed Reducing Box Assembly



## Parts List For Gear Speed Reducing Box Assembly

Index	Part			
No.	No.	Description	Size	Qty
1.....	HBS916W-94-01 .....	OIL SEAL .....	35x55x8.....	1
2.....	HBS916W-94-02 .....	BEARING .....	30207 .....	1
3.....	HBS916W-94-03 .....	BEARING .....	6207 .....	1
4.....	HBS916W-94-04 .....	SHAFT .....	.....	1
5.....	HBS916W-94-05 .....	KEY .....	8x7x30.....	1
6.....	HBS916W-94-06 .....	GEAR WHEEL .....	.....	1
7.....	HBS916W-94-07 .....	BEARING .....	6206 .....	1
8.....	HBS916W-94-08 .....	OUTPUT SHAFT COVER.....	.....	1
9.....	HBS916W-94-09 .....	OUTPUT HEX CAP SCREW .....	M10x20 .....	4
10.....	HBS916W-94-10 .....	INPUT HEX CAP SCREW .....	M8x20 .....	4
11.....	HBS916W-94-11 .....	INPUT SHAFT COVER.....	.....	1
12.....	HBS916W-94-12 .....	WASHER.....	.....	1
13.....	HBS916W-94-13 .....	BEARING (S/N: and lower).....	6025 .....	1
.....	HBS916W-94-13N.....	BEARING (S/N: and higher) .....	30205 .....	1
14.....	HBS916W-94-14 .....	INPUT SHAFT.....	.....	1
15.....	HBS916W-94-15 .....	KEY .....	7x7x60.....	1
16.....	HBS916W-94-16 .....	BEARING .....	6205 .....	2
17.....	HBS916W-94-17 .....	C-RING .....	R52.....	1
18.....	HBS916W-94-18 .....	OIL SEAL .....	25x52x8.....	1
19.....	HBS916W-94-19 .....	VENT BOLT .....	.....	1
20.....	HBS916W-94-20 .....	GEAR BOX .....	.....	1
21.....	HBS916W-94-21 .....	OIL LENS .....	.....	1
22.....	HBS916W-94-22 .....	DRAW PLUG .....	.....	1
23.....	HBS916W-94-23 .....	KEY .....	7x7x45.....	1

# HBS-1018W 414473T

400/50/3

	colour of strands	Litzenfarben	couleur des cordons
BK	black	schwarz	noir
WH	white	weiß	blanc
BU	blue	blau	bleu
YE	yellow	gelb	jaune
RD	red	rot	rouge
BN	brown	braun	brun
GY	grey	grau	gris
GNYE	green-yellow	grün-gelb	vert-jaune
OG	orange	orange	orange
VT	violet	violett	violet

	meaning of symbol	Bedeutung der Zeichen	interprétation
M	main motor	hauptmotor	moteur principal
QS	main power switch	türschalter	interrupteur de port
FU1	ac fuse to transformer	sicherung	fusible
FU2	ac low voltage to transformer	sicherung	fusible
FU3	ac low voltage to transformer	sicherung	fusible
KM1	contractors	schütz	contacteur
KM2	contractors	schütz	contacteur
FR	overload relay	überlastschuttschalter	déclencheur surcharge
TC	transformer	transformator	transformateur
SQ3	cut-off limit switch	positionsschalter	micro
SQ1	limit switch wheel box cover	positionsschalter	micro
SQ2	limit switch of pulley cover	positionsschalter	micro
SQ4	limit switch of pulley cover	positionsschalter	micro
SB1	emergency stop switch	not-aus schalter	arrêt d'urgence
SB2	stop off	aus-schalter	bouton arrêt
SB3	start on	ein-schalter	bouton marche
SA1	pump switch	kühlmittel-schalter	commutateur pompe

