



**HBS-814GH**

**Metal Working Bandsaw**

**414466-3RU....3~400V, 50Hz**

## **PARTS LIST**

**JPW (Tool) AG**

Tämperlistrasse 5  
CH-8117 Fällanden  
Switzerland

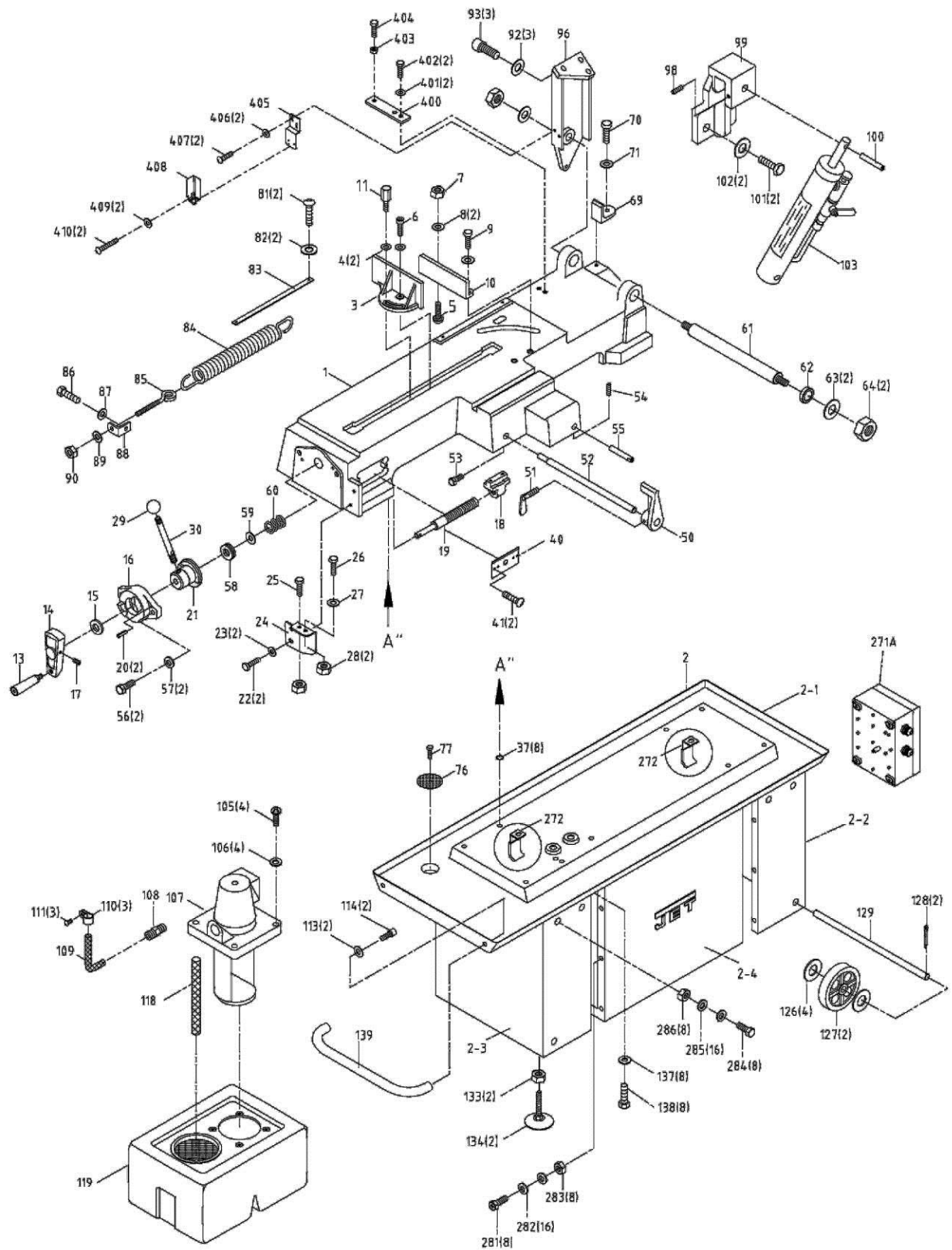
Phone +41 44 806 47 48

Fax +41 44 806 47 58

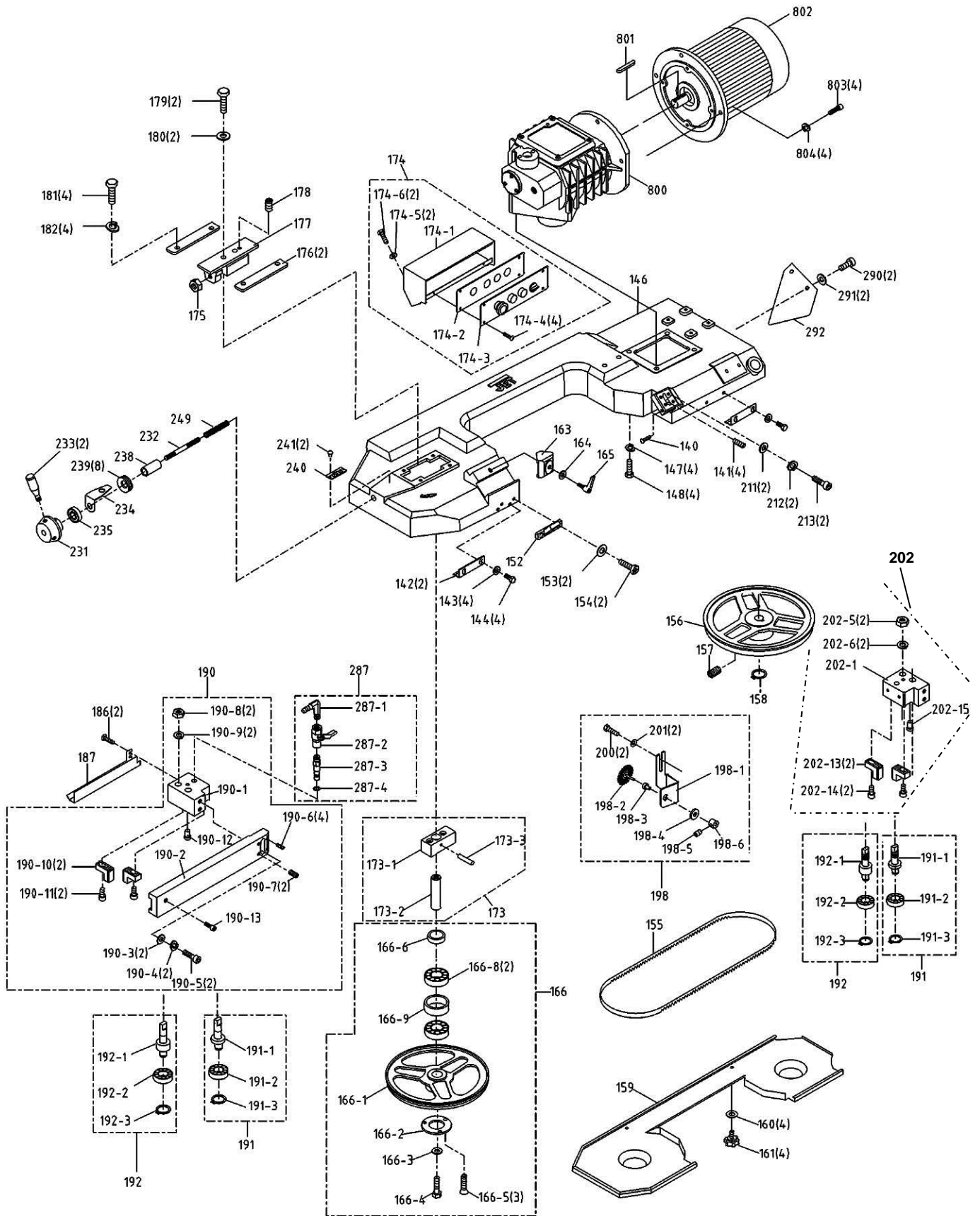
[www.jettools.com](http://www.jettools.com)

414466-3RU 2015/12/14

# Base Assembly



# Bow Assembly



## Parts List: HBS-814GH Band Saw

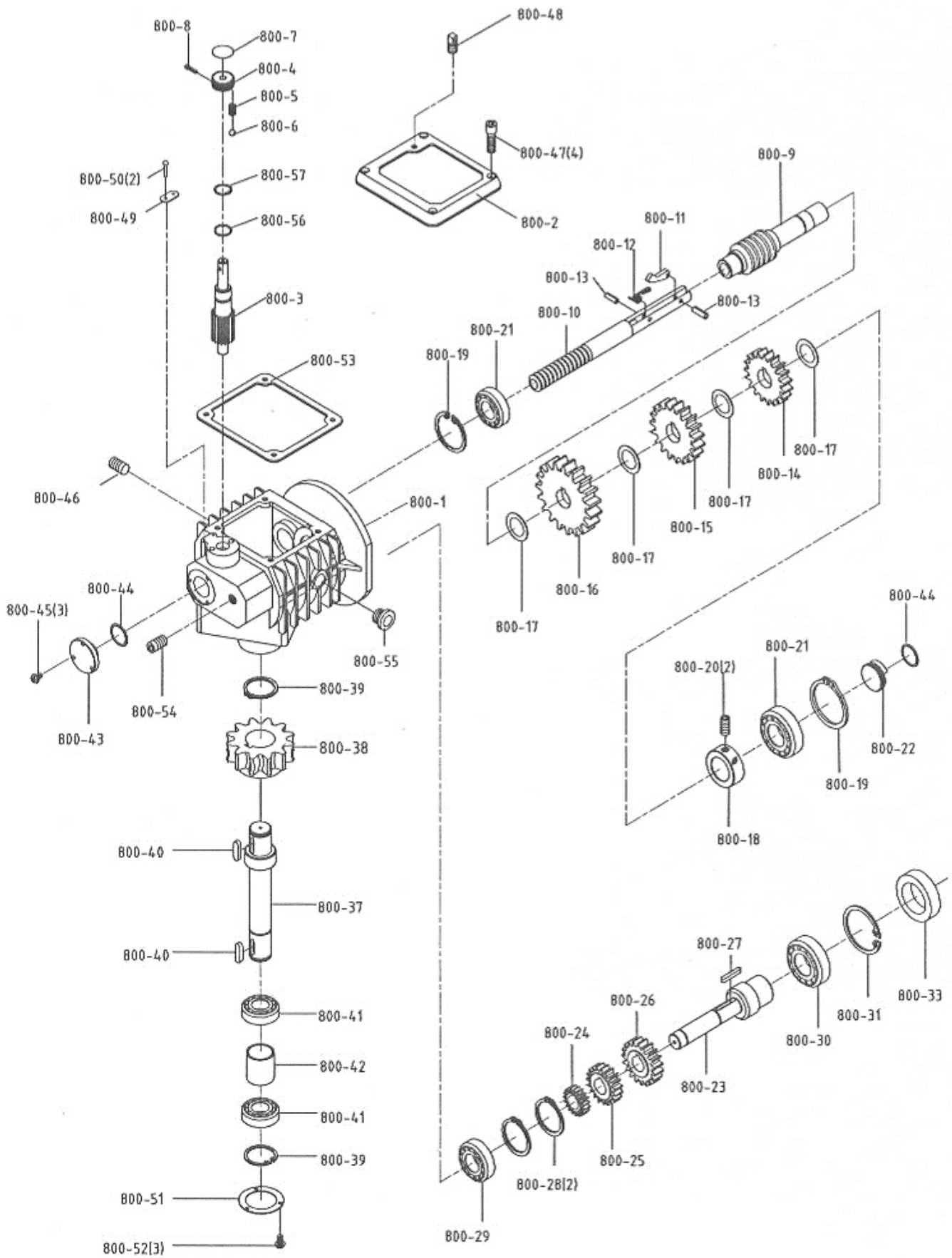
Index No.	Part No.	Description	Size	Qty
1	HBS814GH-001	Base		1
2	HBS814GH-002	Stand Complete Assembly		1
2-1	HBS814GH-002-1	Coolant Pan		1
2-2	HBS814GH-002-2	Leg (Right)		1
2-3	HBS814GH-002-3	Leg (Left)		1
2-4	HBS814GH-002-4	Panel		1
3	HBS814GH-003	Vise Jaw Bracket (Front)		1
4	HBS814GH-4	Washer	10 x 25 x 2	2
5	HBS814GH-005	Carriage Bolt	1/2"-12 x 2"	1
6	TS-0209071	Socket Head Cap Screw	3/8"-16 x 1-1/2"L	1
7	6290483	Hex Nut	1/2"-12	1
8	HBS814GH-063	Washer	12 x 28 x 2	2
9	HBS814GH-009	Hex Cap Screw	1/2"-12 x 2"L	1
10	HBS814GH-010	Vise Jaw Bracket (Rear)		1
11	HBS814GH-011	Miter Clamp Bolt		1
13	HBS814GH-013	Handle		1
14	HBS814GH-014	Crank		1
15	HBS814GH-015	Washer	12 x 23 x 2	1
16	HBS814GH-016	Thrust Flange		1
17	TS-0267051	Socket Set Screw	1/4"-20 x 1/2"L	1
18	HBS814GH-018	Acme Nut		1
19	HBS814GH-019	Acme Screw		1
20	HBS814GH-020	Pin	5 x 34L	2
21	HBS814GH-021	Vise Cam		1
22	TS-0051021	Hex Cap Screw	5/16"-18 x 5/8"L	2
23	HBS814GH-023	Washer	8 x 25 x 3	2
24	HBS814GH-024	Shipping Bracket		1
25	TS-0060081	Hex Cap Screw	3/8"-16 x 1-3/4"	1
26	TS-0060091	Hex Cap Screw	3/8"-16 x 2"	1
27	HBS814GH-285	Washer	10 x 20 x 2	1
28	TS-0561031	Hex Nut	3/8"-16	2
29	HBS814GH-029	Knob		1
30	HBS814GH-030	Shaft		1
37	HBS814GH-037	Fiber washer		8
40	HBS814GH-040	Cover		1
41	TS-081C022	Phillips Pan Head Machine Screw	#10-24 x 3/8"L	2
50	HBS814GH-050	Stop Block		1
51	HBS814GH-051	Thumb Screw		1
52	HBS814GH-052	Stock Stop Rod		1
53	TS-0051031	Hex Cap Screw	5/16"-18 x 3/4"L	1
54	TS-0267061	Socket Set Screw	1/4"-20 x 5/8"L	1
55	HBS814GH-055	Cylinder Lower Support		1
56	TS-0060061	Hex Cap Screw	3/8"-16 x 1-1/4"L	2
57	HBS814GH-285	Washer	10 x 20 x 2	2
58	HBS814GH-058	Bearing		1
59	HBS814GH-059	Washer		1
60	HBS814GH-060	Spring		1
61	HBS814GH-061	Pivot Shaft		1
62	HBS814GH-062	Bushing		1
63	HBS814GH-063	Washer	12 x 28 x 2	2
64	6290483	Hex Nut	1/2"-12	2
69	HBS814GH-069	Bracket		1
70	TS-0060031	Hex Cap Screw	3/8"-16 x 3/4"L	1
71	HBS814GH-071	Washer	10 x 25 x 3	1
76	HBS814GH-076	Screen		1
77	TS-0050011	Hex Cap Screw	1/4"-20 x 1/2"L	1
81	TS-081C022	Phillips Pan Head Machine Screw	#10-24 x 3/8"L	2

Index No.	Part No.	Description	Size	Qty
82	TS-069204	Flat Washer	#10	2
83	HBS814GH-083	Scale		1
84	HBS814GH-084	Spring		1
85	HBS814GH-085	Spring Adjusting Screw		1
86	TS-0051031	Hex Cap Screw	5/16"-18 x 3/4"L	1
87	HBS814GH-087	Washer	8 x 23 x 2	1
88	HBS814GH-088	Spring Handle Bracket		1
89	HBS814GH-092	Washer	10 x 23 x 2	1
90	TS-0561031	Hex Nut	3/8-16	1
92	HBS814GH-092	Washer	10 x 23 x 2	3
93	TS-0209061	Socket Head Cap Screw	3/8"-16 x 1-1/4"L	3
96	HBS814GH-096	Rear Pivot Bracket		1
98	TS-0267051	Socket Set Screw	1/4"-20 x 1/2"L	1
99	HBS814GH-099	Cylinder Upper Support		1
100	HBS814GH-100	Shaft		1
101	TS-0060051	Hex Cap Screw	3/8"-16 x 1"L	2
102	HBS814GH-4	Washer	10 x 25 x 2	2
103	HBS814GH-103	Cylinder Complete Set		1
105	HBS814GH-105	Cross Round Head Screw	1/4"-20 x 5/8"L	4
106	HBS814GH-106	Washer	6.3 x 19 x 1.5	4
107	HBS814GH-107	Pump	1/8HP,110/220V,1PH	1
108	HBS814GH-108	Close Nipple	3/8"PT	1
109	HBS814GH-109	Hose	OD12 x ID8 x 2000	1
110	HBS814GH-110	Hose Clip	5/8"	3
111	TS-081C022	Phillips Pan Head Machine Screw	#10-24 x 3/8"L	3
113	HBS814GH-092	Washer	10 x 23 x 2	2
114	TS-0209031	Socket Head Cap Screw	3/8"-16 x 3/4"L	2
118	HBS814GH-118	Hose	OD16 x ID13 x 260	1
	HBS814GH-118N	Hose	OD24 x ID18.5 x 650	1
119	HBS814GH-119	Coolant Tank		1
126	HBS814GH-126	Washer	5/8" x 40 x 3"	4
127	HBS814GH-127	Wheel		2
128	5519932	Cotter Pin	3 x 25L	2
129	HBS814GH-129	Wheel Rod		1
133	6290483	Hex Nut	1"2-12	2
134	HBS814GH-134	Coaster of Stand	1/2"	2
137	TS-0680041	Washer	3/8"	8
138	TS-0060051	Hex Cap Screw	3/8"-16 x 1"L	8
139	HBS814GH-139	Handle		1
140	HBS814GH-140	Flat Cross Head Screw	M5-0.8 x 12L	1
141	TS-1523051	Socket Set Screw	M6-1 x 15L	4
142	HBS814GH-142	Door Clip Lower		2
143	HBS814GH-143	Washer	6.3 x 16 x 1.5	4
144	TS-0050011	Hex Cap Screw	1/4"-20 x 1/2"L	4
146	HBS814GH-146	Body Frame		1
147	TS-0720091	Lock Washer	3/8"	4
148	TS-0060061	Hex Cap Screw	3/8"-16 x 1-1/4"L	4
152	HBS814GH-152	Upper Bracket hold down		1
153	HBS814GH-285	Washer	10 x 20 x 2	2
154	TS-0060051	Hex Cap Screw	3/8"-16 x 1"	2
155	HBS814GH-155	Blade	0.032" x 3/4" x 2464L x 5-8T"	1
156	HBS814GH-156	Drive Wheel		1
157	TS-0267051	Socket Set Screw	1/4"-20 x 1/2"L	1
158	5519933	C-Retainer Ring	S25	1
159	HBS814GH-159	Blade Back Cover		1
160	HBS814GH-143	Washer	6.3 x 16 x 1.5	4
161	HBS814GH-161	Knob		4
163	HBS814GH-163	Clamp Block Guide Arm		1
164	TS-1550071	Flat Washer	M10	1

Index No.	Part No.	Description	Size	Qty
165	HBS814GH-165	Grip	M10-1.5 x 52L	1
166	HBS814GH-166	Idler Wheel Assembly		1
166-1	HBS814GH-166-1	Idler Wheel		1
166-2	HBS814GH-166-2	Bearing Cover		1
166-3	HBS814GH-211	Washer	8 x 18 x 1.5	1
166-4	TS-0051031	Hex Cap Screw	5/16"-18 x 3/4"L	1
166-5	HBS814GH-166-5	Cross Round Head Screw	#10-24 x 3/8"L	3
166-6	HBS814GH-166-6	Bushing		1
166-8	BB-6202ZZ	Bearing	6202ZZ	2
166-9	HBS814GH-166-9	Bushing		1
173	HBS814GH-173	Shaft Assembly		1
173-1	HBS814GH-173-1	Sliding Plate Draw Block		1
173-2	HBS814GH-173-2	Blade Wheel Shaft		1
173-3	HBS814GH-173-3	Pin	4 x 22L	1
174	HBS814GH-174	Control Box Assembly		1
174-1	HBS814GH-174-1	Control Box		1
174-2	HBS814GH-174-2	Control Plate		1
174-3	HBS814GH-174-3	Label for Name Plate		1
174-4	TS-1533042	Phillips Pan Head Machine Screw	M5-0.8P*12L	4
174-5	TS-1550041	Flat Washer	M6	2
174-6	TS-1482031	Hex Cap Screw	M6-1.0 x 15L	2
175	TS-0561031	Hex Nut	3/8-16	1
176	HBS814GH-176	Sliding Plate		2
177	HBS814GH-177	Blade Tension Slide Block		1
178	TS-0270071	Socket Set Screw	5/16"-18 x 3/4"L	1
179	TS-0051071	Hex Cap Screw	5/16"-18 x 1-1/2"L	2
180	HBS814GH-180	Washer	8 x 12 x 2	2
181	TS-0051031	Hex Cap Screw	5/16"-18 x 3/4"L	4
182	TS-0720081	Lock Washer	5/16"	4
186	HBS814GH-200	Phillips Pan Head Machine Screw	1/4"-20 x 3/8"L	1
187	HBS814GH-187	Blade Guard		1
190	HBS814GH-190	Blade Guide Assembly		1
190-1	HBS814GH-190-1	Blade Guide		1
190-2	HBS814GH-190-2	Adjustable Bracket (Front)		1
190-3	HBS814GH-211	Washer	8 x 18 x 1.5	2
190-4	TS-0720081	Lock Washer	5/16"	2
190-5	TS-0208071	Socket Head Cap Screw	5/16"-18 x 1-1/4"L	2
190-6	TS-1523031	Socket Set Screw	M6-1P*10L	2
190-7	TS-1503041	Socket Head Cap Screw	M6-1 x 15L	2
190-8	TS-1540071	Hex Nut	M10-1.5 x P1	2
190-9	TS-2361101	Lock Washer	M10	2
190-10	HBS814GH-190-10	Carbide Guide		2
190-11	TS-0207041	Socket Head Cap Screw	1/4"-20 x 3/4"L	2
190-12	HBS814GH-190-12	Top Guide Left		1
190-13	TS-1503021	Socket Head Cap Screw	M6-1 x 10	1
191	HBS814GH-191	Eccentric shaft Assembly		2
191-1	HBS814GH-191-1	Eccentric shaft		2
191-2	BB-608ZZ	Bearing	608ZZ	2
191-3	5515607	C-Retaining Ring	S10	2
192	HBS814GH-192	Bearing Shaft Assembly		2
192-1	HBS814GH-192-1	Bearing Shaft		2
192-2	BB-608ZZ	Bearing	608ZZ	2
192-3	5515607	C-Retaining Ring	S10	2
198	HBS814GH-198	Brush Assembly		1
198-1	HBS814GH-198-1	Brush Support		1
198-2	HBS814GH-198-2	Brush		1
198-3	HBS814GH-198-3	Bushing		1
198-4	HBS814GH-285	Washer	10 x 20 x 2	1
198-5	TS-1523031	Socket Set Screw	M6-1 x 10L	1

Index No.	Part No.	Description	Size	Qty
198-6	HBS814GH-198-6	Bushing		1
200	HBS814GH-200	Phillips Pan Head Machine Screw	1/4"-20 x 3/8"L	2
201	TS-0680021	Flat Washer	1/4"	2
202	HBS814GH-202	Blade Guide Assembly		1
202-1	HBS814GH-202-1	Blade Adjustable		1
202-5	TS-1540071	Hex Nut	M10-1.5 x P1	2
202-6	TS-2361101	Lock Washer	M10	2
202-13	HBS814GH-202-13	Carbide Guide		2
202-14	TS-0207041	Socket Head Cap Screw	1/4"-20 x 3/4"L	2
202-15	HBS814GH-202-15	Top Guide Right		1
211	HBS814GH-211	Washer	8 x 18 x 1.5	2
212	TS-0720081	Lock Washer	5/16"	2
213	TS-0208121	Socket Head Cap Screw	5/16"-18 x 2-1/2"L	2
231	HBS814GH-231	Handle Body		1
232	HBS814GH-232	Blade Tension Bar		1
233	HBS814GH-233	Knob		2
234	HBS814GH-234	Indicator plate		1
235	HBS814GH-235	Thrust Rearing	10 x 25 x 2	2
238	HBS814GH-238	Sleeve		1
239	HBS814GH-239	Spring	23 x 12.2 x 1.5t	8
240	HBS814GH-240	Scale		1
241	HBS814GH-241	Rivet	Ø2 x 6	2
249	HBS814GH-249	Spring		1
271A	HBS814GH-271A	Electrical Control Box		1
272	HBS814GH-272	Cable Clamp		2
281	TS-081F052	Pan Head Phillips Screw	1/4"-20 x 3/4"L	8
282	HBS814GH-143	Washer	6.3 x 16 x 1.5	16
283	TS-0570011	Hex Nut	1/4-20	8
284	TS-0060051	Hex Cap Screw	3/8"-16 x 1"L	8
285	HBS814GH-285	Washer	10 x 20 x 2	16
286	TS-0561031	Hex Nut	3/8-16	8
287	HBS814GH-287	Valve Assembly		1
287-1	HBS814GH-287-1	Micro Control Block	PT1/8" x 1/4"	1
287-2	HBS814GH-287-2	Valve	PT1/8" x 1/8"	1
287-3	HBS814GH-287-3	Jet Pipe		1
287-4	HBS814GH-287-4	O-Ring	8 x 4.5 x 1.9	1
290	HBS814GH-105	Cross Socket Head Screw	1/4"-20 x 5/8"L	2
291	HBS814GH-143	Washer	6.3 x 16 x 1.5	2
292	HBS814GH-292	Support Plate		1
400	HBS814GH-400	Limit Plate		1
401	HBS814GH-143	Washer	6 x 16 x 1.5mm	2
402	TS-0207031	Socket Head Cap Screw	1/4"-20 x 5/8"	2
403	TS-0570011	Nut	1/4"	1
404	TS-0208071	Socket Head Cap Screw	5/16"-18 x 1-1/4"	1
405	HBS814GH-405	Bracket		1
406	TS-1550041	Washer	M6	2
407	TS-133032	Pan Head Phillips Screw	M5-0.8 x 10	2
408	HBS814GH-408	Limit Switch		1
409	TS-1550021	Washer	M4	2
410	HBS814GH-410	Pan Head Phillips Screw	M4-0.4 x 30L	2
800	HBS814GH-800	Gear Box Assembly		1
801	HBS814GH-801	Key	6 x 6 x 40L	1
802	HBS814GH-802	Motor	1HP, 110/220V, 60HZ, 1PH	1
802-1	HBS814GH-802-1	Motor	1HP, 220/400V, 50HZ, 3PH	1
	HBS814GH-MF	Motor Fan (not show)		1
	HBS814GH-MFC	Motor Fan Cover (not show)		1
803	TS-1505041	Socket Head Cap Screw	M10-1.5 x 30L	4
804	TS-2361101	Lock Washer	M10	4

# Gear Box Assembly

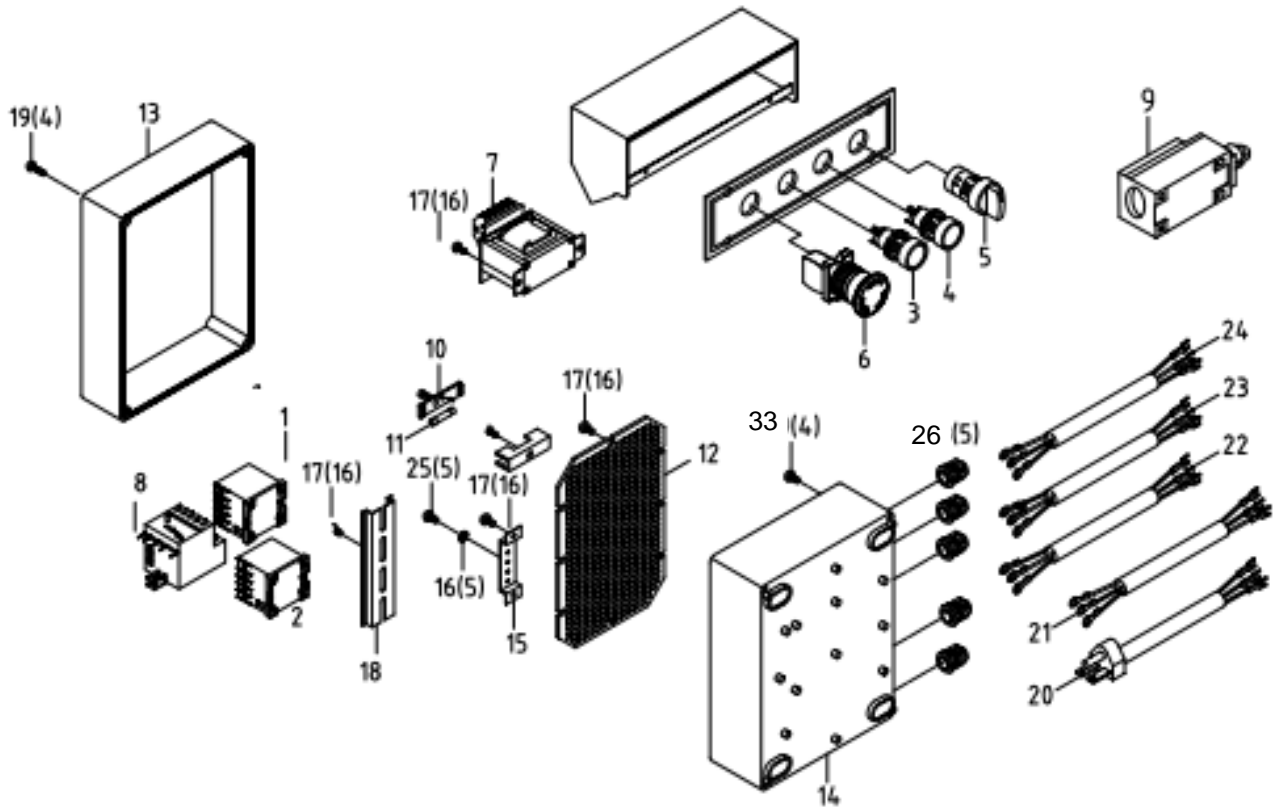




## Parts List: Gear Box Assembly

Index No.	Part No.	Description	Size	Qty
	HBS814GH-800	Gear Box Assembly		1
800-1	HBS814GH-800-1	Gear Box Enclosure		1
800-2	HBS814GH-800-2	Gear Box Cover		1
800-3	HBS814GH-800-3	Speed-Changing Gear Shaft		1
800-4	HBS814GH-800-4	Speed Lever		1
800-5	HBS814GH-800-5	Spring		1
800-6	SB-8MM	Steel Ball	8	1
800-7	HBS814GH-800-7	Speed Indicator Dial		1
800-8	TS-1502071	Socket Head Cap Screw	M5-0.8 x 28L	1
800-9	HBS814GH-800-9	Worm Shaft		1
800-10	HBS814GH-800-10	Speed-Changing Rod		1
800-11	HBS814GH-800-11	Speed-Changing Key		1
800-12	HBS814GH-800-12	Torsion Spring		1
800-13	HBS814GH-800-13	Pin	3 x 10L	2
800-14	HBS814GH-800-14	Gear		1
800-15	HBS814GH-800-15	Gear		1
800-16	HBS814GH-800-16	Gear		1
800-17	HBS814GH-800-17	Washer		4
800-18	HBS814GH-800-18	Bushing Bracket		1
800-19	PWBS14-123	C-Retainer Ring	R35	2
800-20	TS-1523011	Socket Set Screw	M6-1 x 6L	2
800-21	HBS814GH-800-29	Bearing	6003LLB	2
800-22	HBS814GH-800-22	Cover		1
800-23	HBS814GH-800-23	Gear Shaft		1
800-24	HBS814GH-800-24	Gear		1
800-25	HBS814GH-800-25	Gear		1
800-26	HBS814GH-800-26	Gear		1
800-27	6291479	Key	5 x 5 x 32L	1
800-28	5513018	C-Retainer Ring	S17	2
800-29	HBS814GH-800-29	Bearing	6003LLB	1
800-30	HBS814GH-800-30	Bearing	6007LLB	1
800-31	HBS814GH-800-31	C-Retainer Ring	R62	1
800-33	HBS814GH-800-33	Oil Seal	62 x 35 x 8	1
800-37	HBS814GH-800-37	Drive Gear Shaft		1
800-38	HBS814GH-800-38	Worm Gear		1
800-39	5519933	C-Retainer Ring	S25	2
800-40	1020A-292	Key	6 x 6 x 20L	2
800-41	HBS814GH-800-41	Bearing	60205LLB	2
800-42	HBS814GH-800-42	Bearing Spacer		1
800-43	HBS814GH-800-43	Cover		1
800-44	HBS814GH-800-44	O-Ring	35 x 29 x 3	2
800-45	TS-1533042	Cross Round Head Screw	M5-0.8 x 13L	3
800-46	HBS814GH-800-46	Plug	PT3/8"	1
800-47	TS-1503051	Socket Head Cap Screw	M6-1 x 20L	4
800-48	HBS814GH-800-48	Vent Plug		1
800-49	HBS814GH-800-49	Scale		1
800-50	HBS814GH-800-50	Rivet	2 x 4	2
800-51	HBS814GH-800-51	Bearing Cover		1
800-52	TS-1533032	Cross Round Head Screw	M5-0.8 x 10L	3
800-53	HBS814GH-800-53	Gear Box Gasket		1
800-54	HBS814GH-800-54	Plug	PT1/4"	1
800-55	HBS814GH-800-55	Oil level gauge	19	1
800-56	HBS814GH-800-56	O- Ring	15.8 x 2.4b	1
800-57	HBS814GH-800-57	C-Retainer Ring	R20	1

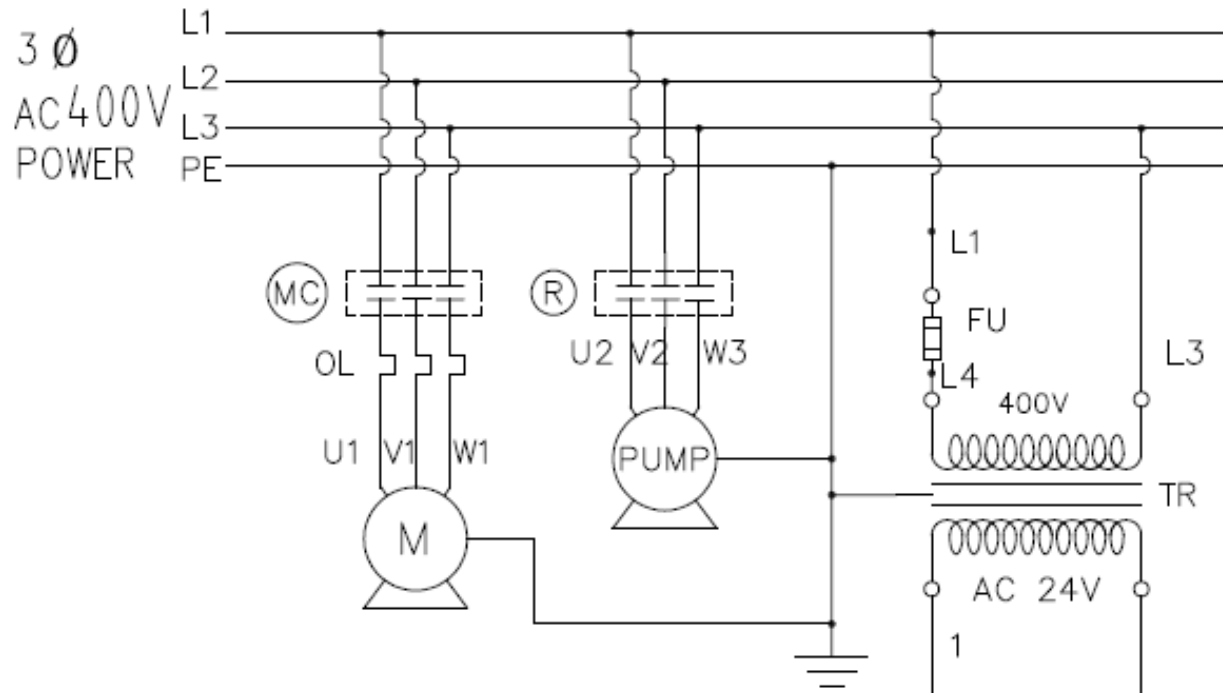
# Electrical Control Box Assembly



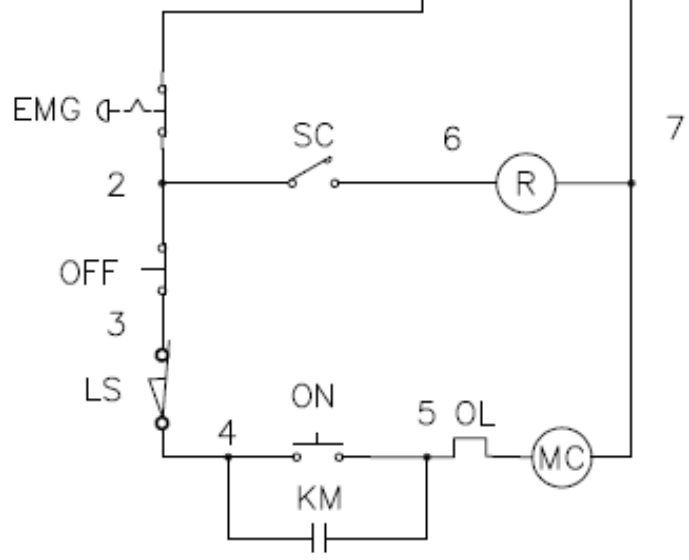
## Parts List: Electrical Control Box Assembly

Index No.	Part No.	Description	Size	Qty
	HBS814GH-271A	Electrical Control Box Assembly		1
1	HBS814GH-N-1	Magnetic Contactor		1
2	HBS814GH-N-2	Magnetic Contactor		1
3	HBS814GH-271-3	Push-Button Start (Green)		1
4	HBS814GH-271-4	Push-Button Stop (Red)		1
5	HBS814GH-271-5	Selector Switch		1
6	HBS814GH-271-6	Emergency-Stop Switch		1
7	HBS814GH-271-7	Transformer		1
8	HBS814GH-N-8	Overload		1
9	HBS814GH-N-9	Limit switch		1
10	HBS814GH-271-11	Fuse-Lid		1
11	HBS814GH-271-12	Fuse		1
12	HBS814GH-271-20	Mount Grill		1
13	HBS814GH-271-13	Cover Electrical Enclosure		1
14	HBS814GH-271-14	Electrical Enclosure		1
15	HBS814GH-271-24	Ground strip		1
16	TS-1550031	Washer	M5	6
17	HBS814GH-271-34	Tap Screw	M4 x 8	16
18	HBS814GH-271-21	Din-Rails		1
19	TS-133032	Phillips Pan Head Machine Screw	M5 x 8	4
20	HBS814GH-271-25	Power Cable		1
21	HBS814GH-271-28	Pump Cable		1
22	HBS814GH-271-26	Motor Cable		1
23	HBS814GH-271-27	Limit Cable		1
24	HBS814GH-271-29	Control Cable		1
25	TS-2284082	Phillips Pan Head Machine Screw	M4 x 8	5
26	HBS814GH-271-18	Cord Grip		5
33	TS-1532052	Phillips Pan Head Machine Screw	M4 x 15	4
38	HBS814GH-271-38	Spark Eliminator (not shown)	1μF/120Ω2E/1G30	1

# Electrical Connections



- M :Motor
- PUMP :Cool pump
- TR :Transformer
- FU :Fuse
- OL :Overload
- FU :Fuse
- MC :Magnetic Contactor
- R :Relay
- LS :Limit Switch
- ON :Start Button
- OFF :Stop Button
- SC :Choice Switch
- EMG :Emergency-Stop Switch



**J E T**®