

JET

HBS-916W
HBS-1018W

**Ленточная пила по
металлу**

414468T...380/50/3

414473...380/50/3

Список деталей

WMH Tool Group AG

Bahnstrasse 24,

CH - 8603 Schwerzenbach

www.wmhtoolgroup.ch

info@wmhtoolgroup.ch

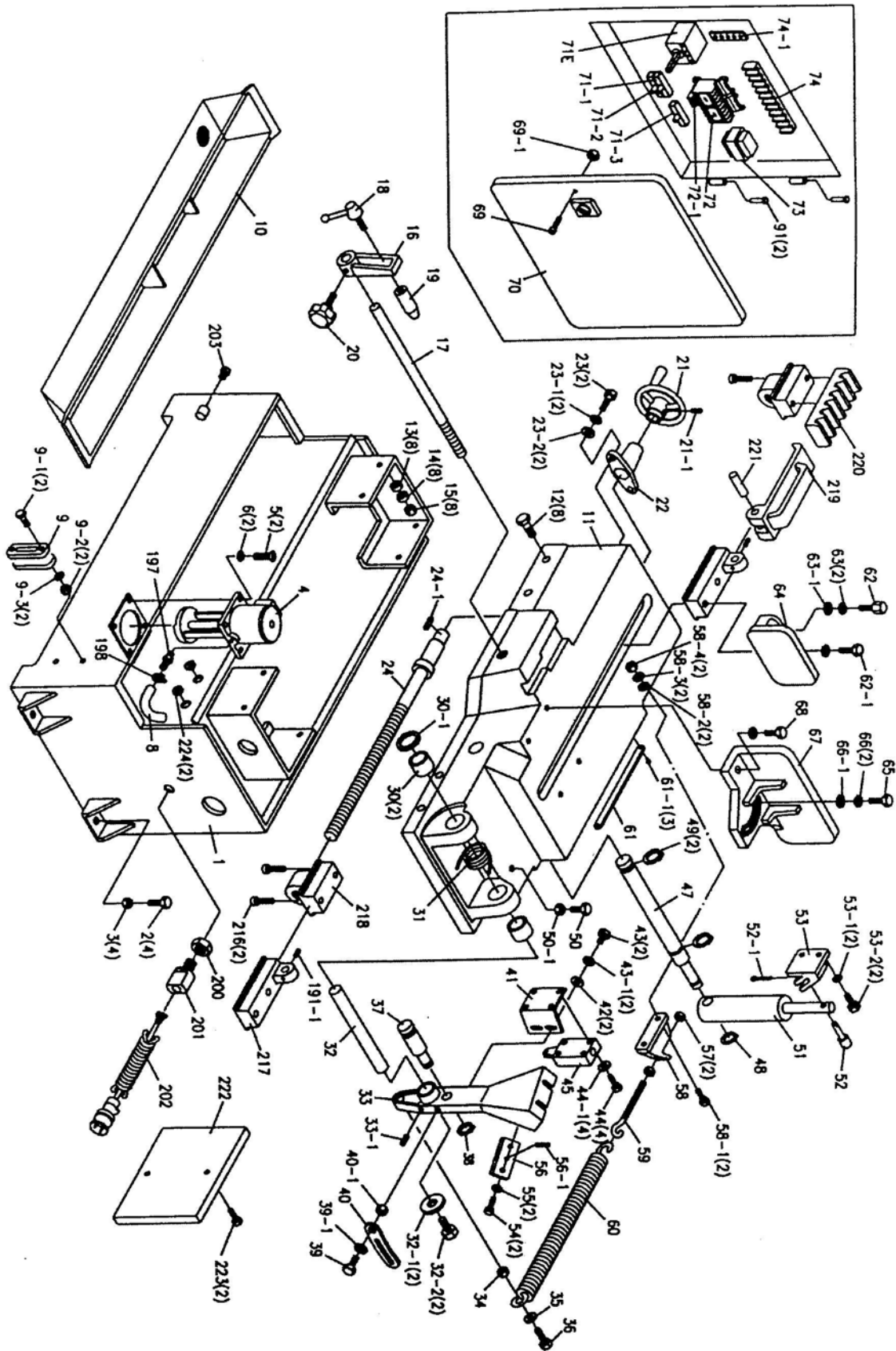
Tel +41 (0)44 806 47 48

Fax +41 (0) 44 806 47 58

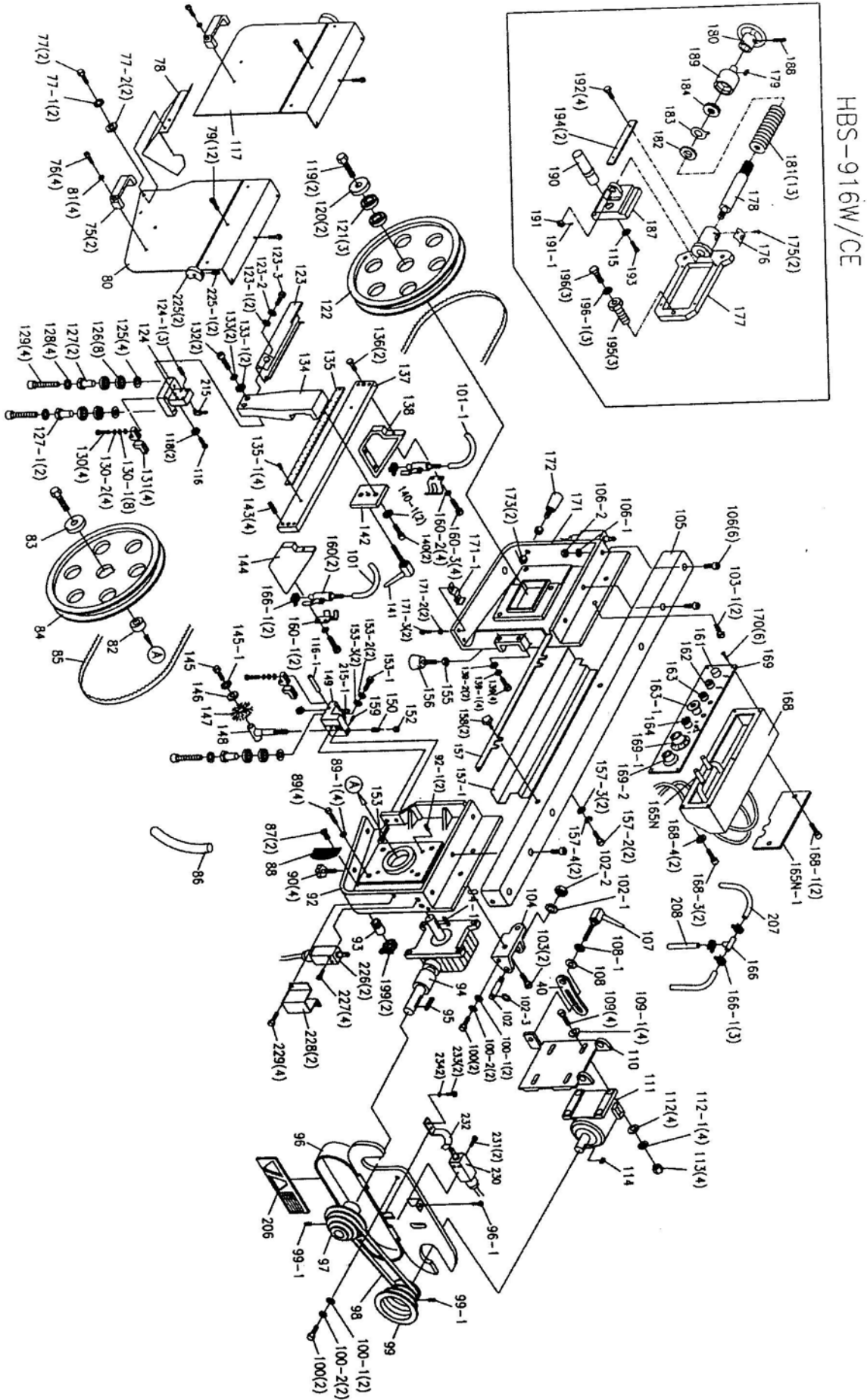
P-414468/414473...05/07



Монтажная схема: станина и основание в сборе (HBS-916W/-1018W)



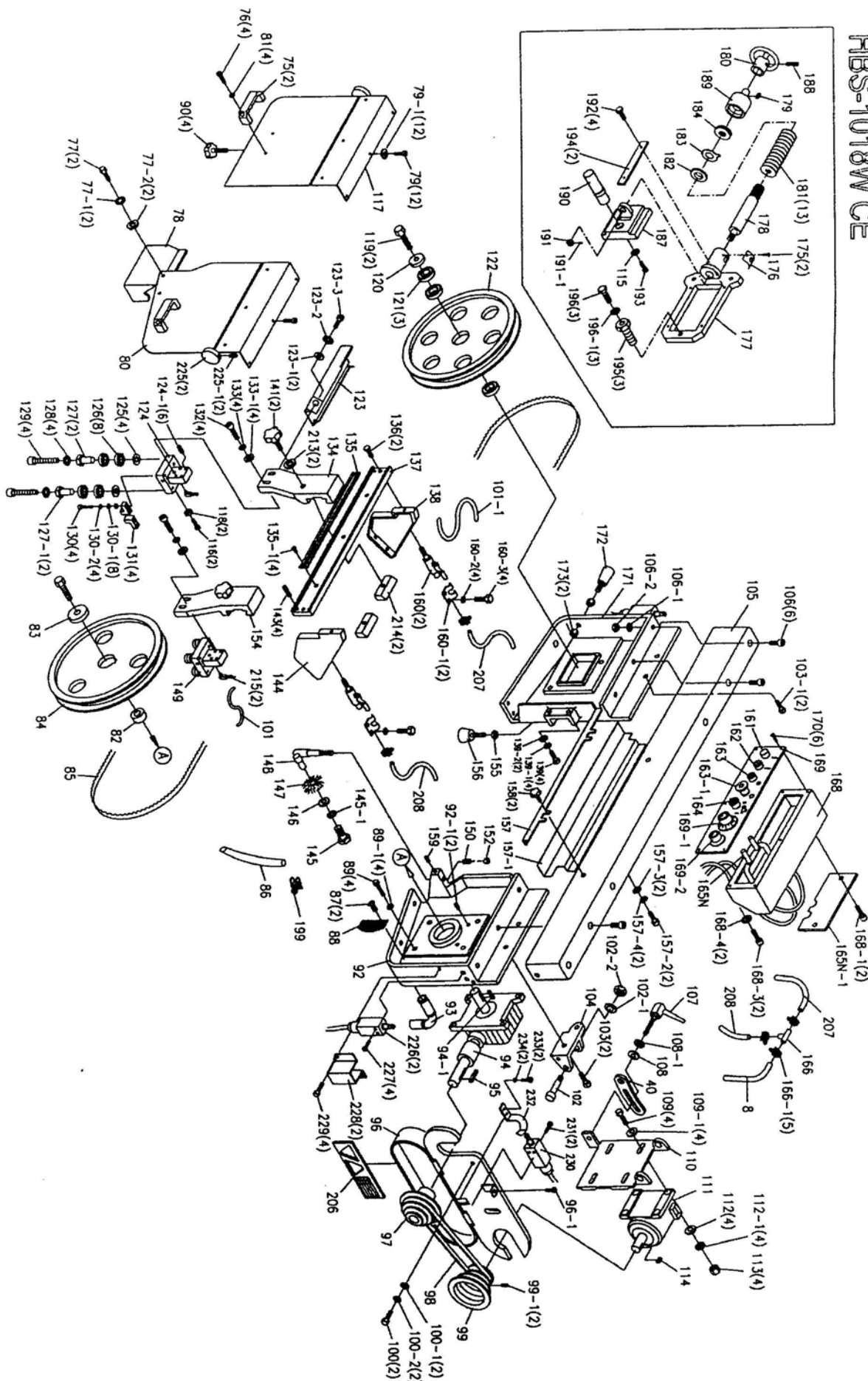
Монтажная схема: консоль в сборе (HBS-916W)



HBS-916W/CE

Монтажная схема: консоль в сборе (HBS-1018W)

HBS-1018W CE



Список деталей: ленточная пила по металлу HBS-916W/-1018W

№	№ детали	обозначение	размер	кол-во
1	HBS916W-01A	Base (S/N:8081109 and higher)		1
	HBS1018W-01A	Base(S/N:808719and higher)		1
2	TS-1492071	Hex Cap Bolt	M12x70	4
3	TS-1540081	Hex Nut	M12	4
4	HBS1018W-CPAE	Coolant Pump	400V	1
	HBS1018W-PLAE	Pump Label for CE (not shown)		1
5	TS-1531051	Pan Head Screw	M6x16	2
6	TS-1551061	Lock Washer	M6	2
8	HBS916W-08	Hose		1
9	HBS916W-09	Coolant Gauge		1
9-1	TS-1491041	Hex Cap Bolt	M10x30	2
9-2	TS-1540071	Hex Nut	M10	2
9-3	TS-1550071	Flat Washer	M10	2
10	HBS916W-10	Chip Tray		1
	HBS1018W-10	Chip Tray		1
11	HBS916W-11A	Bed (S/N:8081109 and higher)		1
	HBS1018W-11A	Bed (S/N:808719 and higher)		1
12	TS-1490051	Hex Cap Bolt	M8x30	8
13	TS-1550061	Washer	M8	8
14	TS-1551081	Lock Washer	M8	8
15	TS-1540061	Hex Nut	M8	8
16	HBS916W-16	Stop Bracket		1
17	HBS916W-17	Stop Rod		1
18	HBS916W-18	Lock Handle		1
19	HBS916W-19	Work Stop		1
20	HBS916W-20	Lock Knob		1
21	HBS916W-21	Hand Wheel Assembly		1
	HBS1018W-21	Hand Wheel Assembly		1
21-1	HBS916W-21-1	Set Screw	5/16x8	1
22	HBS916W-22	Lead Screw Seat		1
	HBS1018W-22	Lead Screw Seat		1
23	TS-1490051	Hex Cap Screw	M8x30	2
23-1	TS-1551061	Lock Washer	M8	2
23-2	TS-1550061	Washer	M8	2
24	HBS916W-24A	Lead Screw		1
	HBS1018W-24A	Lead Screw		1
24-1	HBS916W-24-1	Key	5x5x20MM	1
30	HK-2516-2RS	Needle Bearing		2
30-1	HBS916-30-1	Bushing		1
31	HBS916W-31	Torsion Spring		1
	HBS1018W-31	Torsion Spring		1
32	HBS916W-32	Pivot Shaft		1
32-1	TS-1550041	Washer	M12	2
32-2	HBS916W-32-2	Bolt/w Zerk Fitting		2
33	HBS916W-33	Pivot Bracket		1
	HBS1018W-33	Pivot Bracket		1
33-1	TS-1525021	Set Screw	M10x12	1
34	TS-1540081	Nut	M12	1
35	TS-1550081	Washer	M12	1
36	TS-1492041	Hex Cap Bolt	M12x40	1
37	HBS916W-37	Torsion Spring Shaft		1
38	HBS916W-38	C-Ring	S-22	1
39	TS-1490041	Hex Cap Bolt	M8x25	1
39-1	TS-1551081	Lock Washer	M8	1
40	HBS916W-40	Motor Tilt Plate		1
	HBS1018W-40	Motor Tilt Plate		1
40-1	TS-1540061	Hex Nut	M8	1

Список деталей: ленточная пила по металлу HBS-916W/-1018W

№	№ детали	обозначение	размер	кол-во
41	HBS916W-41	Limit Switch Plate		1
42	TS-1550061	Washer	M8	2
43	TS-1490031	Hex Cap Bolt	M8x20	2
43-1	TS-1550061	Lock Washer	M8	2
44	TS-1482021	Hex Cap Screw	M6X12	4
44-1	TS-1550041	Flat Washer	M6	4
45	HBS916W-45	Limit Switch		1
47	HBS916W-47	Cylinder Pin		1
	HBS1018W-47A	Cylinder Pin		1
48	HBS916W-48	C-Ring	S-20	1
49	HBS916W-49	C-Ring	S-25	2
50	TS-1491041	Hex Cap Bolt	M10x30	1
50-1	TS-1540071	Hex Nut	M10	1
51	HBS916W-51	Hydraulic Cylinder Assembly		1
	HBS1018W-51	Hydraulic Cylinder Assembly		1
52	HBS916W-52	Cylinder Pin		1
52-1	HBS916W-52-1	Pin		1
53	HBS916W-53	Hydraulic Mounting Plate - Top		1
	HBS1018W-53	Hydraulic Mounting Plate -Top		1
53-1	TS-1551071	Lock Washer	M10	2
53-2	TS-1491041	Hex Cap Bolt	M10x30	2
54	TS-1492051	Hex Cap Bolt	M12x50	2
55	TS-1550081	Washer	M12	2
56	HBS916W-56	Plate		1
56-1	HBS916W-56-1	Pin	M5x45	1
57	TS-0561051	Hex Nut	1/2"	2
58	HBS916W-58	Spring Bracket		1
58-1	TS-1490051	Hex Cap Bolt	M8x30	2
58-2	TS-1550051	Washer	M8	2
58-3	TS-1551061	Lock Washer	M8	2
58-4	TS-1540061	Hex Nut	M8	2
59	HBS916W-59	Adjustable C-Bolt		1
60	HBS916W-60	Spring		1
	HBS1018W-60	Spring		1
61	HBS916W-61	Angle Scale		1
61-1	HBS916W-61-1	Rivet	M2x5	3
62	TS-1492041	Hex Cap Bolt	M12x40	1
62-1	TS-1492051	Hex Cap Bolt	M12x50	1
63	TS-1551081	Lock Washer	M12	2
63-1	TS-1550081	Washer	M12	1
64	HBS916W-64	Vise Jaw-left		1
	HBS1018W-64	Vise Jaw-left		1
65	TS-1492051	Hex Cap Bolt	M12x50	1
66	TS-1551081	Lock Washer	M12	2
66-1	TS-1550081	Washer	M12	1
67	HBS916W-67	Vise Jaw - right		1
	HBS1018W-67	Vise Jaw-right		1
68	TS-1492041	Hex Cap Bolt	M12x40	1
69	HBS916W-69	Hex Socket Cap Screw	M6x30	1
69-1	HBS916W-69-1	Nut	M6	1
70	HBS1018W-70AE	Electrical Panel Cover		1
70-1	HBS1018W-70-1AE	Electrical Box Assembly	400V/3Ph	1
71	HBS1018W-71E	General Switch		1
71-1	HBS1018W-71-1E	Fuse 2A		1
71-2	HBS1018W-71-2E	Fuse 2A		1
71-3	HBS1018W-71-3E	Fuse 3A		1
72	HBS1018W-72AE	Magnetic Switch		1
72-1	HBS1018W-72-1AE	Overload	400V/3Ph	1

Список деталей: ленточная пила по металлу HBS-916W/-1018W

№	№ детали	обозначение	размер	кол-во
73	HBS1018W-73AE	Transformer	400V/3Ph	1
74	HBS1018W-74E	Terminal Strip		1
74-1	HBS1018W-74-1E	Grounding Plate		1
75	HBS916W-75	Handle		2
76	TS-1534051	Pan Head Screw	M6x16	4
77	TS-1482021	Hex Cap Bolt	M6x12	2
77-1	TS-1551041	Lock Washer	M6	2
77-2	TS-1550041	Washer	M6	2
78	HBS916W-78	Wire Brush Guard		1
79	TS-1503011	Hex Socket Cap Screw	M6x8	12
	HBS-1018W-79A	Adjustable Bracket Mount - rear (1018W only - not shown)		1
79-1	TS-1550051	Washer (HBS1018 only)	M6	12
80	HBS916W-80	Blade Wheel Cover - right		1
	HBS1018W-80	Blade Wheel Cover-right		1
81	TS-1550041	Washer	M6	4
82	HBS916W-82	Bushing		1
83	HBS916W-83	Washer		1
84	HBS916W-84	Drive Wheel		1
	HBS1018W-84	Drive Wheel	14"	1
85	HBS916W-85E	Blade (local purchase - 916W)		1
	HBS1018W-85E	Blade (local purchase - 1018W)		1
86	HBS916W-86	Hose		1
87	TS-1533031	Pan Head Screw	M5x10	2
88	HBS916W-88	Filter Screen		1
89	TS-1492031	Hex Cap Screw	M12x35	4
89-1	TS-1551081	Lock Washer	M12	4
90	HBS916W-90	Lock Knob		4
91	HBS916W-91	Hinge Pin		2
92	HBS916W-92	Blade Wheel Box - right		1
	HBS1018W-92	Blade Wheel Box - right		1
92-1	TS-1525021	Set Screw	M10x12	2
93	HBS916W-93	Connector		1
	HBS1018W-93	Connector		1
94	HBS916W-94	Gear Box Assembly (can only order entire assembly)		1
	HBS1018W-94	Gear Box Assembly (can only order entire assembly)		1
94-1	HBS916W-94-1	Key	7x7x45MM	1
95	HBS916W-95	Key	7MM	1
96	HBS916W-96E	Pulley Cover		1
	HBS1018W-96E	Pulley Cover		1
96-1	HBS1018W96-1	Hex Cap Bolt	1/4x13	1
97	HBS916W-97	Gear Box Pulley		1
	HBS1018W-97	Gear Box Pulley		1
98	VB-A39	V-Belt(forHBS-916W)		1
	VB-A37	V-Belt(forHBS-1018W)		1
99	HBS916W-99	Motor Pulley		1
	HBS1018W-99	Motor Pulley		1
99-1	TS-1524021	Set Screw	M8x10	2
100	TS-1482031	Hex Cap Bolt	M8x16	2
100-1	TS-1550061	Washer	M8	2
100-2	TS-1551061	Lock Washer	M8	2
101	HBS916W-101	Hose		1
101-1	HBS916W-101-1	Hose		1
102	HBS916W-102	Support Shaft		1
102-1	TS-1550081	Washer	M12	1
102-2	TS-1540081	Hex Nut	M12	1
102-3	HBS916W-102-3	C-Ring	S19	1
103	TS-1492021	Hex Cap Bolt	M12x30	2
103-1	HBS916W-103-1	Hex Cap Bolt	M12x20	2

Список деталей: ленточная пила по металлу HBS-916W/-1018W

№	№ детали	обозначение	размер	кол-во
104.....	HBS916W-104	Motor Mount Bracket		1
105.....	HBS916W-105	Column.....		1
HBS1018W-105 ...	Column.....		1
106.....	TS-1506011	Hex Socket Cap Screw	M12x20	6
106-1...	TS-1551081	Lock Washer.....	M12	1
106-2...	TS-1540081	Nut	M12	1
107.....	HBS916W-107	Locking Handle		1
108.....	TS-1550061	Washer.....	M8	1
108-1...	TS-1551061	Lock Washer.....	M8	1
109.....	TS-1490081	Hex Cap Bolt	M8x45	4
109-1...	TS-1550061	Washer.....	M8	4
110.....	HBS916W-110	Motor Mount Plate		1
111.....	HBS916W-111	Motor (1-1/2 HP, 3Ph, 400V, 50Hz)		1
HBS1018W-111AE.	Motor (2 HP, 3Ph, 400V, 50Hz)		1
HBS1018W-MLAE ..	Motor Label (not shown)		1
112.....	TS-1550061	Washer.....	M8	4
112-1...	TS-1551061	Lock Washer.....	M8	4
113.....	TS-1540061	Hex Nut.....	M8	4
114.....	HBS916-114.....	Key	7MM.....	1
115.....	TS-1550081	Washer.....	M12	1
116.....	TS-1504041	Hex Socket Cap Screw	M8x20	2
116-1...	HBS916W-116-1 ...	Shaft (HBS916W).....		1
117.....	HBS916W-117	Blade Wheel Cover - left.....		1
HBS1018W-117A ..	Blade Wheel Cover - left.....		1
118.....	BB-608VV	Ball Bearing.....		2
119.....	TS-1492011	Hex Cap Bolt	M12x25	2
120.....	TS-1550081	Washer.....	M12	1
121.....	BB-6205Z	Ball Bearing.....		3
122.....	HBS916W-122	Idler Wheel		1
HBS1018W-122A ..	Idler Wheel		1
123.....	HBS916W-123	Blade Guard		1
HBS1018W-123A ..	Blade Guard		1
123-1...	TS-1550061	Washer.....	M8	2
123-2...	TS-1551061	Lock Washer.....	M8	1
123-3...	TS-1490021	Hex Cap Bolt	M8x16	1
124.....	HBS916W-124	Guide Bracket - left		1
HBS916W-124A	Guide Bracket Assembly-left		1
HBS1018W-124A ..	Guide Bracket Assembly-left		1
124-1...	TS-1504031	Hex Socket Cap Screw (HBS916W)	M8x16	3
TS-1504031	Hex Socket Cap Screw (HBS1018W)	M8x16	6
125.....	TS-1540061.....	Washer.....	M8	4
126.....	BB-6201VV.....	Ball Bearing.....		8
127.....	HBS1018W-127	Eccentric Sleeve (outside) (HBS916W)		2
HBS1018W-127	Eccentric Sleeve (outside) (HBS1018W)		2
127-1...	HBS916W-127-1 ...	Eccentric Sleeve (inside) (HBS916W)		2
HBS1018W-127-1	Eccentric Sleeve (inside) (HBS1018W)		2
128.....	TS1551061.....	Lock Washer.....	M8	4
129.....	TS1504091.....	Hex Socket Cap Screw	M8x45	4
130.....	TS1503071.....	Hex Socket Cap Screw	M6x30	4
130-1...	TS-1550041	Washer.....	M6	8
130-2...	TS-1551041	Lock Washer.....	M6	4
131.....	HBS916W-131	Blade Guide.....		4
132.....	TS-1504081	Hex Socket Cap Screw (HBS916W)	M8x40	2
TS-1504081	Hex Socket Cap Screw (HBS1018W)	M8x40	4
133.....	TS-1551081	Lock Washer (HBS916W).....	M8	2
TS-1551081	Lock Washer (HBS1018W).....	M8	4

Список деталей: ленточная пила по металлу HBS-916W/-1018W

№	№ детали	обозначение	размер	кол-во
133-1...	TS-1550081	Washer (HBS916W).....	M8	2
.....	TS-1550081	Washer (HBS1018W)	M8	4
134.....	HBS916W-134	Adjustable Bracket.....		1
.....	HBS1018W-134A	Adjustable Bracket.....		1
135.....	HBS916W-135	Scale (HBS-916W).....		1
.....	HBS1018W-135	Dovetail Scale.....		1
135-1...	HBS916W-135-1	Rivet (HBS-916W)	M2x5	4
.....	HBS1018W-135-1	Pan Head Screw (HBS-1018W)	M5x8	4
136.....	TS-1505031	Hex Socket Cap Screw	M10x25	2
137.....	HBS916W-137	Slide.....		1
.....	HBS1018W-137A	Slide.....		1
138.....	HBS916W-138	Blade Bracket - left.....		1
.....	HBS1018W-138	Blade Bracket - left.....		1
139.....	TS-1492021	Hex Cap Bolt.....	M12x30	4
139-1...	TS-1551081	Lock Washer	M12	4
139-2...	TS-1550081	Washer	M12	2
140.....	TS-1490041	Hex Cap Bolt (HBS-916W)	M8x25	2
140-1...	TS-1551061	Lock Washer (HBS-916W).....	M8	2
141.....	HBS916W-141	Knob		1
.....	HBS1018W-141	Knob		2
142.....	HBS916W-142	Plate.....		1
143.....	TS1524021	Set Screw.....	M8x10	4
144.....	HBS916W-144	Blade Bracket - right.....		1
.....	HBS1018W-144	Blade Bracket-right.....		1
145.....	TS-1482011	Hex Cap Bolt.....	M6x10	1
145-1 ..	TS-1551041	Lock Washer	M6	1
146.....	TS-1550041	Washer	M6	1
147.....	HBS-916W-147	Wire Brush		1
.....	HBS-1018W-147	Wire Brush		1
148.....	HBS-916W-148	Wire Brush Rod		1
.....	HBS-1018W-148	Wire Brush Rod		1
149.....	HBS-916W-149A	Guide Bracket Assembly - right		1
.....	HBS-1018W-149A	Guide Bracket Assembly - right		1
150.....	HBS-916W-150	Spring		1
.....	HBS-1018W-150	Spring		1
152.....	TS-1540071	Hex Nut	M10	1
153.....	TS-1504091	Hex Socket Cap Screw (HBS-916W)	M8x45	1
153-1...	TS-1504111	Hex Socket Cap Screw (HBS-916W)	M8x55	1
153-2...	TS-1551061	Lock Washer (HBS-916W).....	M8	2
153-3...	TS-1550051	Washer (HBS-916W).....	M8	2
154.....	HBS1018W-154A	Adjustable Bracket-right (HBS-1018W)		1
155.....	TS-1540081	Hex Nut	M12	1
156.....	TS-1492061	Hex Cap Bolt.....	M12x60	1
157.....	HBS916W-157	Blade Guard		1
.....	HBS1018W-157A	Blade Guard		1
157-1...	HBS1018W-157-1	Blade Guard - down		1
157-2...	TS-1482021	Hex Cap Bolt.....	M6x12	2
157-3...	TS-1550041	Washer	M6	2
157-4...	TS-1551041	Lock Washer	M6	2
158.....	HBS916W-158	Lock Knob		2
159.....	TS-1523021	Set Screw.....	M6x8	1
160.....	HBS916W-160	Adjusting Value		2
160-1...	HBS916W-160-1	Clamp.....		2
160-2...	TS-1551041	Lock Washer	M6	4
160-3...	TS-1482021	Hex Cap Bolt.....	M6x12	4
161.....	HBS916W-161AE	Power Indicator Light	VDE	1
162.....	HBS916W-162E	Start Switch.....	VDE	1
163.....	HBS916W-163E	Stop Switch	VDE	1
163-1...	HBS916W-163-1E	Emergency Stop Switch	VDE	1
164.....	HBS916W-164E	Pump Switch.....	VDE	1

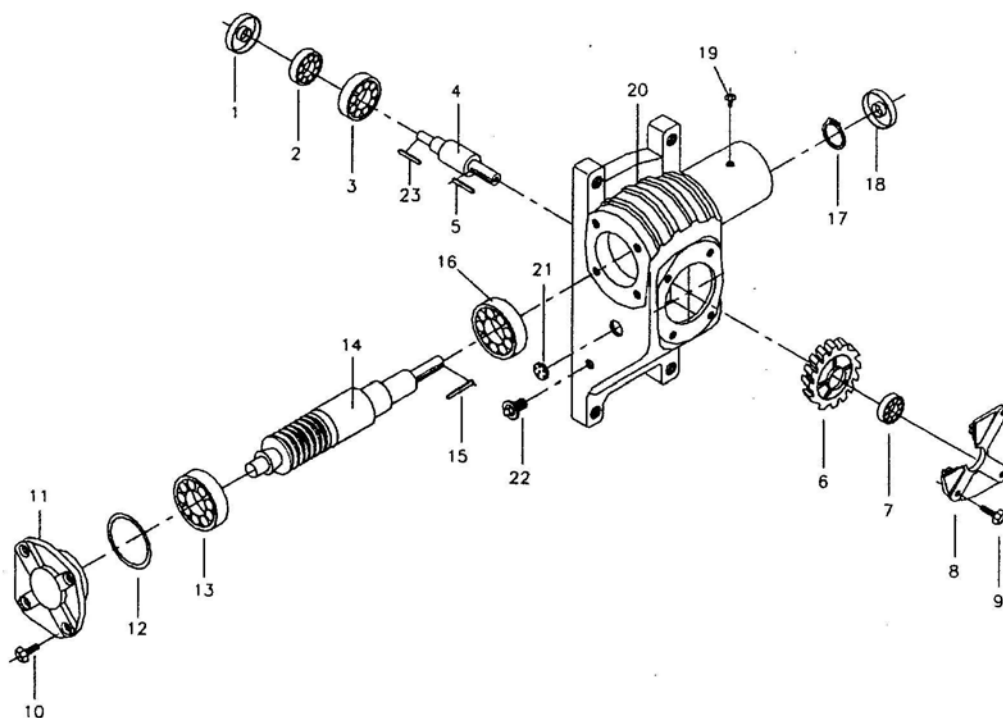
Список деталей: ленточная пила по металлу HBS-916W/-1018W

№	№ детали	обозначение	размер	кол-во
165N...	HBS916W-165NE	Feed Control-On/Off		1
	HBS1018W-165NE	Feed Control-On/Off		1
165N-1.	HBS916W-165N-1E	Plate		1
	HBS1018W-165N-1E	Plate		1
166.....	HBS916W-166	Connecting Tube		1
166-1...	HBS916W-166-1	Hose Clamp		5
168.....	HBS916W-168	Control Box		1
168-1...	HBS916W-168-1	Pan Head Screw	M5x10	2
168-3...	TS-1503031	Hex Socket Cap Screw	M6x12	2
168-4...	TS-1550041	Washer	M6	2
169.....	HBS916W-169	Control Panel		1
169-1...	HBS916W-169-1	Cutting Feed Rate Selector		1
169-2...	HBS916W-169-2	Feed Rate ON/OFF Switch		1
170.....	TS-1533031	Pan Head Screw	M5x10	6
171.....	HBS916W-171	Wheel Box - left		1
	HBS1018W-171	Wheel Box - left		1
171-1...	HBS916W-171-1	Block (HBS916W)		1
171-2...	TS-1551041	Lock Washer (HBS916W)	M6	2
171-3...	TS-1482031	Hex Cap Bolt (HBS916W)	M6x16	2
172.....	HBS916W-172	Handle		1
173.....	TS-1540081	Hex Nut	M12	2
175.....	TS-1533031	Pan Head Screw	M5x10	2
176.....	HBS916W-176	Indicator Scale		1
177.....	HBS916W-177	Slide Bracket		1
178.....	HBS916W-178	Tension Scale		1
179.....	HBS916W-179	Key	5MM	1
180.....	HBS916W-180	Handwheel		1
181.....	HBS916W-181	Lock Washer	M22x45	13
182.....	HBS916W-182	Flat Steel Washer		1
183.....	HBS916W-183	Tension Indicator		1
184.....	BB-51104	Thrust Bearing		1
187.....	HBS916W-187	Slide		1
188.....	TS-1524021	Set Screw	M8x10	1
189.....	HBS916W-189	Extension Bar		1
190.....	HBS916W-190	Wheel Shaft		1
191.....	HBS916W-191	Nut/w Hole for Set Screw	M14	1
191-1...	TS-2276081	Set Screw	M6x8	1
192.....	TS-1504051	Hex Socket Cap Screw	M8x25	4
193.....	TS-1492011	Hex Socket Cap Screw	M12x25	1
194.....	HBS916W-194	Gib		2
195.....	HBS916W-195	Hex Cap Screw (re:HBS916W-196)		3
196.....	HBS916W-196	Screw Assembly		3
196-1...	HBS916W-196-1	Lock Washer (re:HBS916W-196)		3
197.....	HBS916W-197	Hose Fitting		1
198.....	HBS916W-198	Hose Clamp		1
199.....	HBS916W-199	Hose Clamp		2
	HBS1018W-199	Hose Clamp		1
200.....	HBS916W-200	Nut		1
201.....	HBS916W-201	Strain Relief Fitting		1
202.....	HBS916W-202AE	Power Cord with Plug (H07RN-F 4Gx1.0m m) 400V		1
202-1...	HBS916W-202-1E	Control Cord (0.75m m)(not shown)		1
202-2...	HBS916W-202-2AE	Motor Cord (1.25m m2 x4c)(not shown) 400V		1
203.....	HBS916W-203	Screw		1
204.....	HBS916W-204E	Name Plate (Not Shown)		1

Список деталей: ленточная пила по металлу HBS-916W/-1018W

№	№ детали	обозначение	размер	кол-во
206.....	HBS1018W-206E.....	Speed Chart Label		1
207.....	HBS916W-207	Hose.....		1
208.....	HBS916W-208	Hose.....		1
213.....	TS-1550071	Washer	M10	2
214.....	HBS1018W-214	Clamp.....		2
215.....	HBS916W-215	Cu Connector.....		1
.....	HBS1018W-215	Cu Connector.....		2
215-1..	HBS916W-215-1	Cu Connector (HBS916W).....		1
216.....	TS-1504051	Hex Socket Cap Screw	M8x25	2
217.....	HBS916W-217	Slide Bracket		1
218.....	HBS916W-218	Lead Screw Bracket		1
219.....	HBS916W-219	Rack Block.....		1
.....	HBS1018W-219	Rack Block.....		1
220.....	HBS916W-220	Rack.....		1
.....	HBS1018W-220	Rack.....		1
221.....	HBS916W-221	Pin		1
222.....	HBS916W-222	Plate.....		1
.....	HBS1018W-222	Plate.....		1
223.....	TS-1503011	Hex Socket Cap Screw	M6x8	2
224.....	HBS916W-224	Rubber Ring.....		2
225.....	HBS1018W-225E.....	Eccentric Shaft.....		2
225-1..	HBS916W-225-1	Set Screw.....	M6x8	2
226.....	HBS1018W-226E.....	Limit Switch.....		2
227.....	HBS1018W-227E.....	Round Head Screw	5/32x32.....	4
228.....	HBS1018W-228E.....	Limit Switch Guard		2
229.....	HBS1018W-229E.....	Round Head Screw	M5x10	4
230.....	HBS1018W-230E.....	Belt Cover Safety Limit Switch.....		1
231.....	HBS1018W-231E.....	Round Head Screw	5/32x32.....	2
232.....	HBS1018W-232E.....	Limit Switch Plate.....		1
233.....	HBS1018W-233E.....	Hex Cap Bolt.....	M6x12	2
234.....	HBS1018W-234E.....	Lock Washer	M6	2

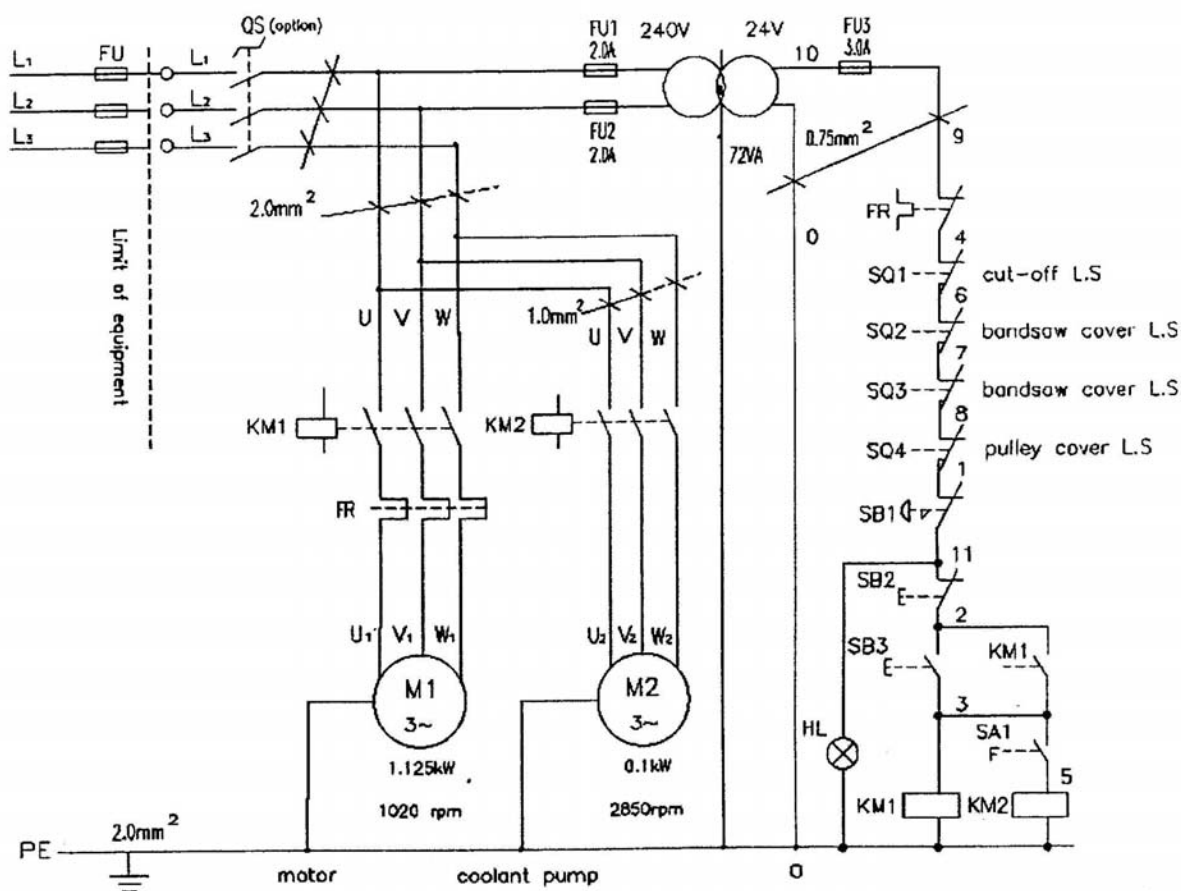
Монтажная схема: коробка передач в сборе



Список деталей: коробка передач в сборе

№	№ детали	обозначение	размер	кол-во
1	HBS916W-94-01	Oil Seal	35x55x8	1
2	HBS916W-94-02	Bearing	30207	1
3	HBS916W-94-03	Bearing	6207	1
4	HBS916W-94-04	Shaft		1
5	HBS916W-94-05	Key	8x7x30	1
6	HBS916W-94-06	Gear Wheel		1
7	HBS916W-94-07	Bearing	6206	1
8	HBS916W-94-08	Output Shaft Cover		1
9	HBS916W-94-09	Output Hex Cap Screw	M10x20	4
10	HBS916W-94-10	Input Hex Cap Screw	M8x20	4
11	HBS916W-94-11	Input Shaft Cover		1
12	HBS916W-94-12	Washer		1
13	HBS916W-94-13N	Bearing	30205	1
14	HBS916W-94-14	Input Shaft		1
15	HBS916W-94-15	Key	7x7x60	1
16	HBS916W-94-16	Bearing	6205	1
17	HBS916W-94-17	C-ring	R52	1
18	HBS916W-94-18	Oil Seal	25x52x8	1
19	HBS916W-94-19	Vent Bolt		1
20	HBS916W-94-20	Gear Box		1
21	HBS916W-94-21	Oil Lens		1
22	HBS916W-94-22	Draw Plug		1
23	HBS916W-94-23	Key	7x7x45	1

Схема подключения 340/50/3



HBS-916W/-1018W 414468T/414473T

	Цвета проводов	Цвета проводов
BK	Black	Чёрный
WH	White	Белый
BU	Blue	Синий
YE	Yellow	Жёлтый
RD	Red	Красный
BN	Brown	Коричневый
GY	Grey	Серый
GNYE	Green-yellow	Зелёно-жёлтый
OG	Orange	Оранжевый
VT	Violet	Фиолетовый

	meaning of symbol	Обозначение символа
M	Main motor	Главный двигатель
QS	Main power switch	Выключатель электропитания
FU1 FU2	Ac fuse to transformer	Предохранитель
FU3	Ac low voltage to transformer	Предохранитель
KM1 KM2	Contractors	Защита
FR	Overload relay	Защита от перегрузки
TC	Transformer	Преобразователь
SQ3	Cut- off limit switch	Концевой выключатель
SQ1 SQ2	Limit switch wheel box cover	Концевой выключатель
SQ4	Limit switch of pulley cover	Концевой выключатель
SB1	Emergency stop switch	Выключатель аварийного останова
SB2	Stop off	Кнопка выключения
SB3	Start on	Кнопка включения
SA1	Pump switch	Выключатель насоса