

JET

HN-16N

HAND NOTCHER

HN-16N....754016

**PARTS LIST
ERSATZTEILLISTE
LISTE DE PIECES**

WMH Tool Group AG

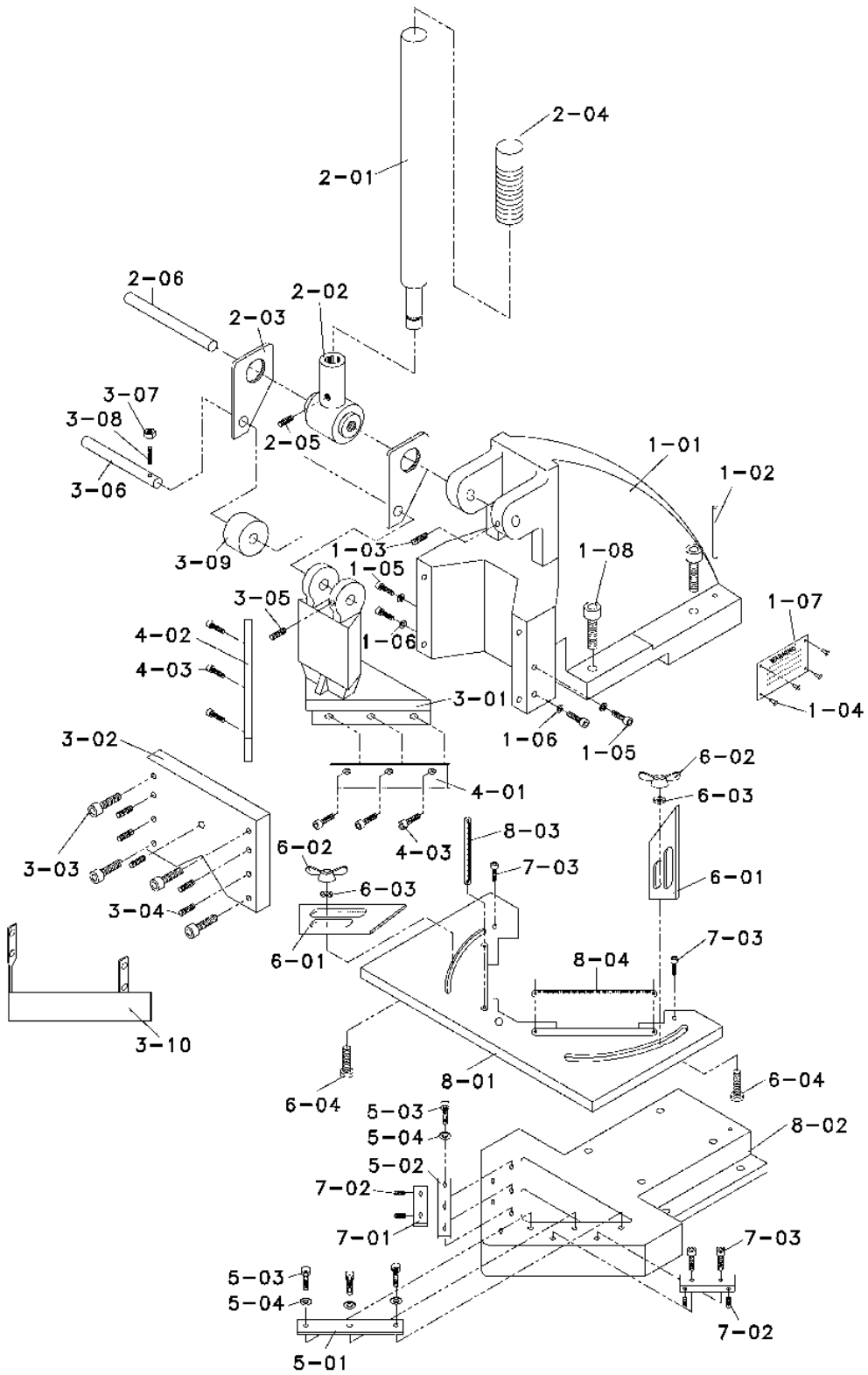
Bahnstrasse 24, CH – 8603 Schwerzenbach
www.wmhtoolgroup.ch; info@wmhtoolgroup.ch
Tel +41 (0) 44 806 47 48
Fax +41 (0) 44 806 47 58

P-754016

06/07



Breakdown for HN-16N Hand Notcher



Parts List for the HN-16N Hand Notcher

Index No.	Part No.	Description	Size	Quantity
1-01	HN16N-1-01	Body		1
1-02	HN16N-1-02	Pin	Ø6x55	2
1-03	TS-1523061	Set Screw	M6x20	1
1-04	HN16N-1-04	Rivet	Ø2x4	12
1-05	TS-1503031	Socket Head Cap Screw	M6x12	4
1-06	TS-1550041	Washer	Ø6	4
1-07	HN16N-1-07	Warning Label		1
1-08	TS-1492071	Hex Cap Bolt	M12x65	4
1-09	HN16N-1-09	Label (not shown)		1
2-01	HN16N-2-01	Lever		1
2-02	HN16N-2-02	Cam		1
2-03	HN16N-2-03	Plate		2
2-04	HN16N-2-04	Cap		1
2-05	TS-1524041	Set Screw	M8x16	1
2-06	HN16N-2-06	Shaft		1
3-01	HN16N-3-01	Ram		1
3-02	HN16N-3-02	Fixed Plate		1
3-03	TS-1504051	Socket Head Cap Screw	M8x25	4
3-04	TS-1524051	Set Screw	M8x20	5
3-05	TS-1523051	Set Screw	M6x14	1
3-06	HN16N-3-06	Shaft		1
3-07	TS-1540061	Hex Nut	M8	2
3-08	HN16N-3-08	Set Screw	M8x40	1
3-09	HN16N-3-09	Shaft Bushing		1
3-10	HN16N-3-10	Guard		1
4-01	HN16N-4-01	Upper Blade (right)		1
4-02	HN16N-4-02	Upper Blade (left)		1
4-03	TS-1505031	Socket Head Cap Screw	M10x25	6
5-01	HN16N-5-01	Lower Blade (right)		1
5-02	HN16N-5-02	Lower Blade (left)		1
5-03	TS-1504051	Socket Head Cap Screw	M8x25	6
5-04	TS-1550061	Washer	Ø8	6
6-01	HN16N-6-01	Side Positioning Block		2
6-02	TS-0590031	Wing Nut	M10	4
6-03	TS-1550071	Washer	Ø10	4
6-04	HN16N-6-04	Screw		4
7-01	HN16N-7-01	Positioning Block		2
7-02	TS-1523061	Set Screw	M6x20	4
7-03	TS-1504041	Socket Head Cap Screw	M8x20	7
8-01	HN16N-8-01	Table		1
8-02	HN16N-8-02	Base		1
8-03	HN16N-8-03	Scale (left)		1
8-04	HN16N-8-04	Scale (right)		1