

# **J E T**

**HVBS-56M METALWORKING BANDSAW**

**414458M**

**230/50/1**

**PARTS LIST  
ERSATZTEILLISTE  
LISTE DE PIECES**

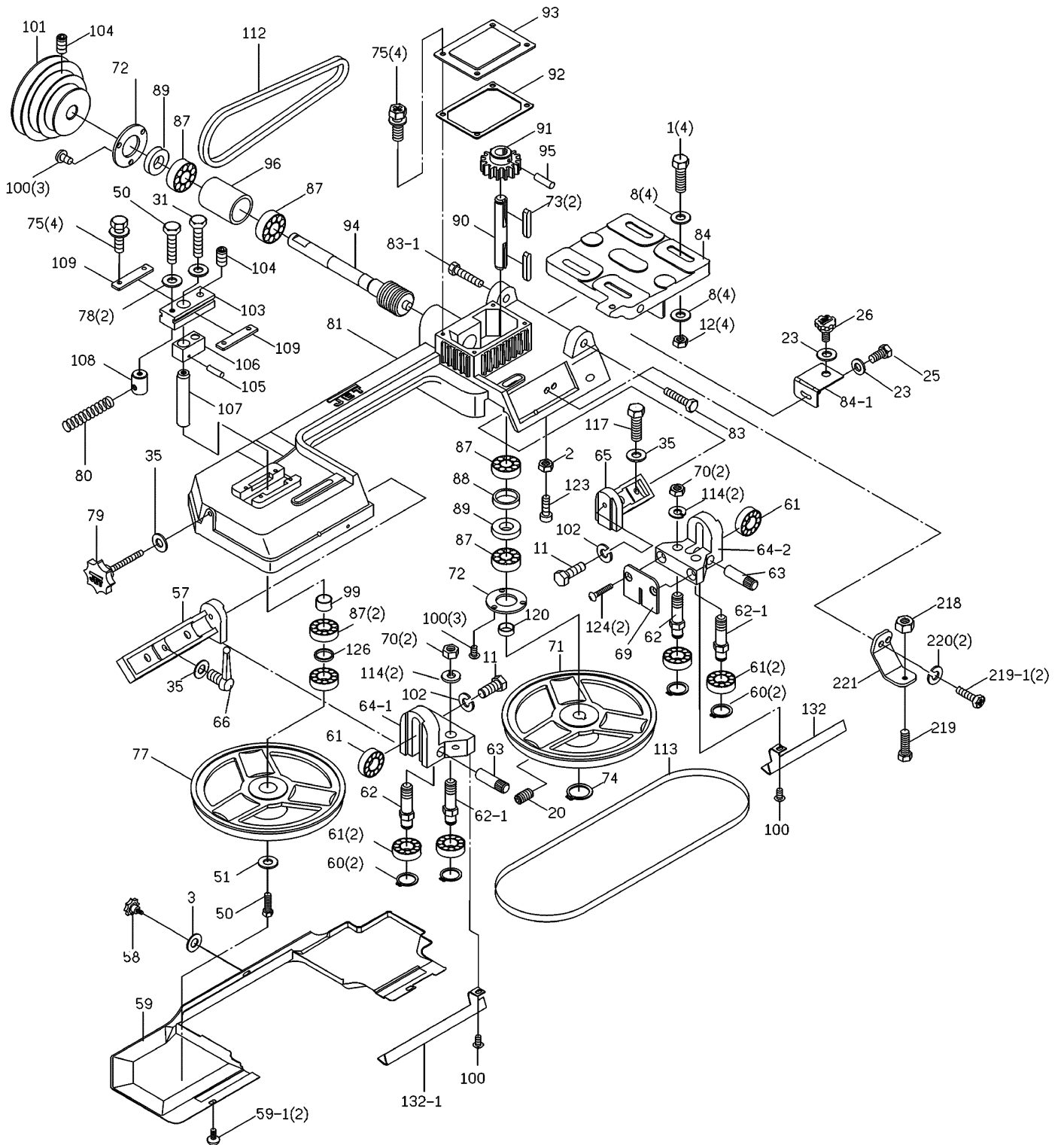
**WMH Tool Group AG**

Bahnstrasse 24, CH – 8603 Schwerzenbach  
www.wmhtoolgroup.ch; info@wmhtoolgroup.ch  
Tel +41 (0) 44 806 47 48  
Fax +41 (0) 44 806 47 58

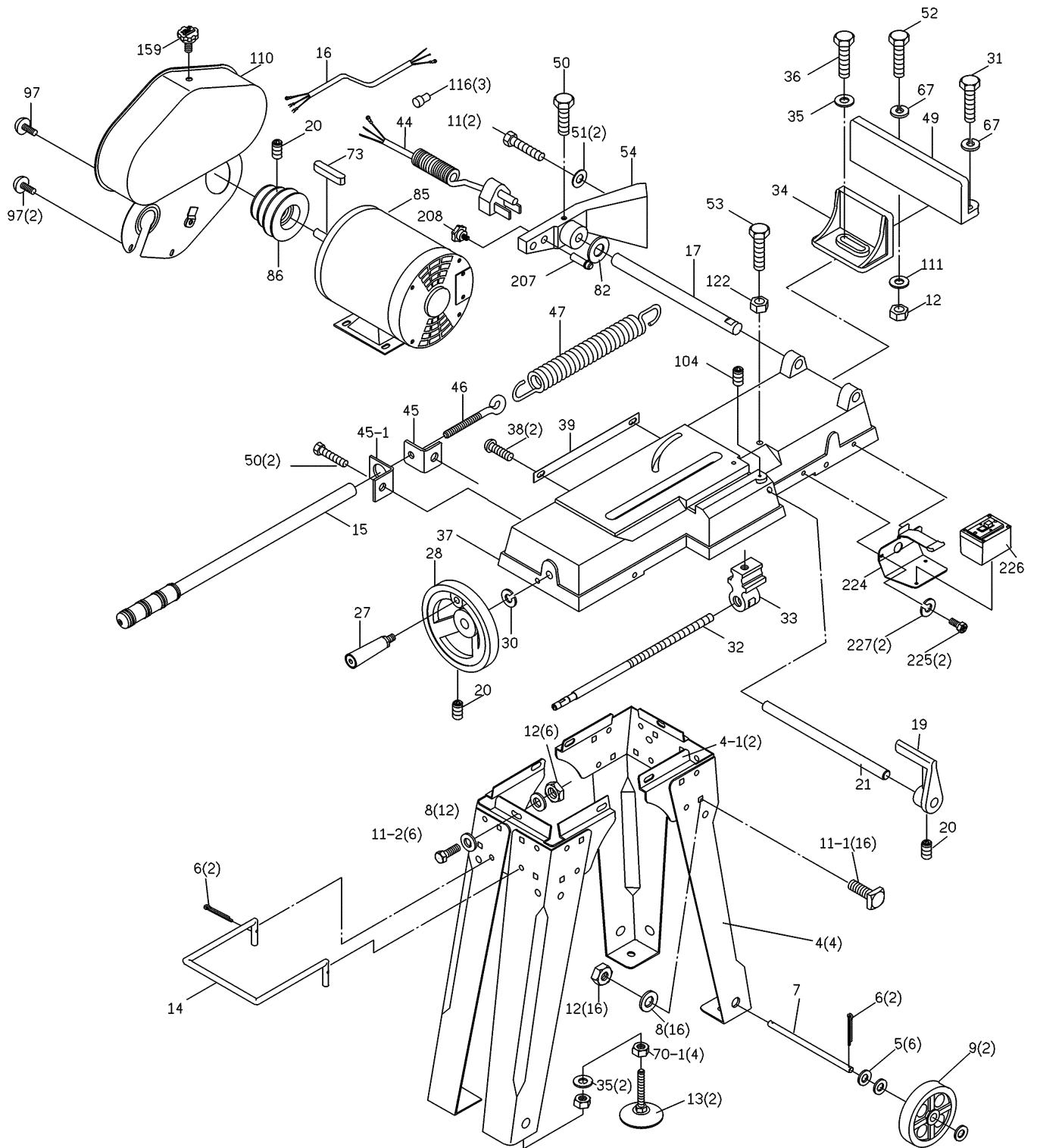


P-414458M 11/02

**Parts Breakdown List for Arm Assembly**



**Parts Breakdown List for Bed Assembly**



**Parts List for the CE type of HVBS-56M Band saw**

| Index No. | Part No.      | Description                    | Size         | Qty. |
|-----------|---------------|--------------------------------|--------------|------|
| 1         | TS-0051031    | Hex Cap Bolt                   | 5/16"x3/4"   | 4    |
| 2         | TS-0561011    | Hex Nut                        | 1/4"         | 1    |
| 3         | TS-0680021    | Flat Washer                    | 1/4"         | 1    |
| 4         | HVBS56M-04    | Stand Leg                      |              | 4    |
| 4-1       | HVBS56M-04-1  | Cross Brace                    |              | 2    |
| 5         | HVBS56M-05    | Washer                         |              | 6    |
| 6         | HVBS462-006   | Cotter Pin                     | 1/8"x1"      | 4    |
| 7         | HVBS56M-07    | Axle                           |              | 1    |
| 8         | TS-0680031    | Flat Washer                    | 5/16"        | 36   |
| 9         | HVBS56M-09    | Wheel                          |              | 2    |
| 11        | TS-0051051    | Hex Cap Bolt                   | 5/16"x1"     | 4    |
| 11-1      | HVBS56M-11-1  | Carriage Bolt                  | 5/16"x3/4"   | 16   |
| 11-2      | TS-0051051    | Hex Cap Bolt                   | 5/16"x1"     | 6    |
| 12        | TS-0561021    | Hex Nut                        | 5/16"        | 27   |
| 13        | HVBS56M-013   | Adjustable Foot                |              | 2    |
| 14        | HVBS462-014   | Floor Stand Handle             |              | 1    |
| 15        | HVBS462-015   | Adjusting Rod                  |              | 1    |
| 16        | HVBS462-016E  | Electric Cord                  |              | 1    |
| 17        | HVBS462-017   | Pivoting Rod                   |              | 1    |
| 19        | HVBS462-019   | Stock Stop                     |              | 1    |
| 20        | TS-0270021    | Socket Set Screw               | 5/16"x5/16"  | 4    |
| 21        | HVBS462-021   | Stock Stop Rod                 |              | 1    |
| 23        | TS-0680031    | Flat Washer                    | 5/16"        | 2    |
| 25        | TS-0051031    | Hex Cap Bolt                   | 5/16"x3/4"   | 1    |
| 26        | HVBS56M-026E  | Plum Knob                      |              | 1    |
| 27        | HVBS462-027   | Wheel Handle                   |              | 1    |
| 28        | HVBS462-028   | Hand Wheel                     |              | 1    |
| 30        | HVBS462-030   | E-Ring                         | E10          | 1    |
| 31        | TS-0051041    | Hex Cap Bolt                   | 5/16"x1"     | 2    |
| 32        | HVBS462-032   | Lead Screw                     |              | 1    |
| 33        | HVBS462-033   | Vise Nut                       |              | 1    |
| 34        | HVBS462-034   | Moveable Vise Plate            |              | 1    |
| 35        | TS-0680041    | Flat Washer                    | 3/8"x1"      | 6    |
| 36        | TS-0090061    | Hex Cap Bolt                   | 3/8"x1-1/4"  | 1    |
| 37        | HVBS462-037E  | Bed                            |              | 1    |
| 38        | HVBS462-038   | Cross Round Head Screw         | 3/16"x3/8"   | 2    |
| 39        | HVBS462-039   | Scale                          |              | 1    |
| 44        | HVBS462-044E  | Electric Cable                 | H05RN-F      | 1    |
| 45        | HVBS462-045   | Nut Plate                      |              | 1    |
| 45-1      | HVBS56M-045-1 | Spring Handle Bracket          |              | 1    |
| 46        | HVBS462-046   | Spring Adjusting Screw         |              | 1    |
| 47        | HVBS462-047   | Spring                         |              | 1    |
| 49        | HVBS462-049   | Mitering Vise Plate            |              | 1    |
| 50        | TS-0081031    | Hex Cap Bolt                   | 5/16"x3/4"   | 5    |
| 51        | TS-0680031    | Flat Washer                    | 5/16"        | 3    |
| 52        | TS-0081071    | Hex Cap Bolt                   | 5/16"x1-1/2" | 1    |
| 53        | TS-0091071    | Hex Cap Screw                  | 7/16"x2"     | 1    |
| 54        | HVBS56M-054E  | Pivot Bracket                  |              | 1    |
| 57        | HVBS56M-057   | Adjustable Bracket Assembly LH |              | 1    |
| 58        | HVBS462-058   | Knob                           | 1/4"         | 1    |
| 59        | HVBS56M-059E  | Blade Back Safety Cover        |              | 1    |

| Index No. | Part No.        | Description                                      | Size          | Qty. |
|-----------|-----------------|--|---------------|------|
| 59-1      | HVBS56M-059-1E  | Pan Screw  | 1/4"x3/8"L    | 2    |
|           | HVBS56M-CLB/CE  | Caution Label for Blade Back Cover (not shown)   |               | 1    |
| 60        | HVBS462-060     | C-Clip   | S10           | 4    |
| 61        | BB-6000ZZ       | Ball Bearing                                     | 6000ZZ        | 6    |
| 62        | HVBS462-062     | Guide Pivot                                      |               | 2    |
|           | HVBS462-062A    | Center Shaft Assembly (Includes: #60-62)         |               | 1    |
| 62-1      | HVBS462-062-1   | Centrifugal Guide Pivot                          |               | 2    |
|           | HVBS462-062-1A  | Eccentric Shaft Assembly (Includes: #60,61,62-1) |               | 1    |
| 63        | HVBS462-063     | Bearing Shaft Pin                                |               | 2    |
| 64-1      | HVBS462-064-1   | Blade Seat Left                                  |               | 1    |
| 64-2      | HVBS462-064-2   | Blade Seat Right                                 |               | 1    |
| 65        | HVBS56M-065     | Adjustable Bracket-Assembly RH                   |               | 1    |
| 66        | HVBS462-066     | Lock Knob  |               | 1    |
| 67        | TS-0720081      | Lock Washer                                      | 5/16"         | 2    |
| 69        | HVBS462-069     | Bearing Guard                                    |               | 1    |
| 70        | TS-0561031      | Hex Nut  | 3/8"          | 4    |
| 70-1      | HVBS56M-070-1   | Hex Nut  | 3/8"          | 2    |
| 71        | HVBS462-071     | Blade Wheel Drive                                |               | 1    |
| 72        | HVBS462-072     | Bearing Cover                                    |               | 2    |
| 73        | HVBS462-073     | Key  | 5x5x25        | 3    |
| 74        | HVBS56M-074     | C-Clip   | S15           | 1    |
| 75        | HVBS462-075     | Hex Cap Bolt (w/Washer)                          | 1/4"x1/2"     | 8    |
| 77        | HVBS462-077     | Idle Blade Wheel                                 |               | 1    |
| 78        | TS-0680031      | Flat Washer                                      | 5/16"         | 2    |
| 79        | HVBS462-079     | Blade Tension Knob                               | 3/8"          | 1    |
| 80        | HVBS462-080     | Spring   |               | 1    |
| 81        | HVBS56M-081     | Saw Bow  |               | 1    |
| 82        | HVBS56M-082     | Washer   |               | 1    |
| 83        | TS-0070031      | Cap Screw  | 1/2"x1-1/2"   | 1    |
| 83-1      | HVBS56M-83-1E   | Cap Screw w/ Hole for Pan Screw                  | 1/2"x1-1/2"   | 1    |
| 84        | HVBS56M-084     | Motor Mount Plate                                |               | 1    |
| 84-1      | HVBS56M-084-1   | Tension Bracket                                  |               | 1    |
| 85        | HVBS463-085E    | Motor  | 1/3 HP 50hz   | 1    |
|           | HVBS463-085-01E | Capacitor Cover (not shown)                      |               | 1    |
|           | HVBS462-085-02E | Capacitor (not shown)                            | 150MFD 125VAC | 1    |
| 86        | HVBS462-086     | Motor Pulley                                     |               | 1    |
| 87        | BB-6202ZZ       | Ball Bearing                                     | 6202ZZ        | 6    |
| 88        | HVBS462-088     | Bearing Bushing                                  |               | 1    |
| 89        | OS-15375        | Oil Seal   |               | 2    |
| 90        | HVBS462-090     | Transmission Wheel Shaft                         |               | 1    |
| 91        | HVBS462-091     | Worm Gear  |               | 1    |
| 92        | HVBS462-092     | Gear Box Gasket                                  |               | 1    |
| 93        | HVBS462-093     | Gear Box Cover                                   |               | 1    |
| 94        | HVBS462-094     | Worm Gear (w/Shaft)                              |               | 1    |
| 95        | HVBS462-095     | Spring Pin                                       |               | 1    |
| 96        | HVBS462-096     | Bearing Bushing                                  |               | 1    |
| 97        | HVBS56M-097E    | Pan Screw  | 1/4"x3/8L"    | 3    |
| 99        | HVBS462-099     | Spacer   |               | 1    |
| 100       | HVBS462-100     | Flat Cross Head Screw                            | 5/32"x3/8"    | 8    |
| 101       | HVBS462-101     | Worm Gear Pulley                                 |               | 1    |
| 102       | TS-0720081      | Lock Washer                                      | 5/16"         | 2    |
| 103       | HVBS462-103     | Blade Tension Sliding Plate                      |               | 1    |
| 104       | TS-0270051      | Socket Set Screw                                 | 5/16"x1/2"    | 3    |
| 105       | HVBS462-105     | Spring Pin                                       |               | 1    |

| Index No. | Part No.       | Description                                | Size         | Qty. |
|-----------|----------------|--|--------------|------|
| 106       | HVBS462-106    | Sliding Plate Draw Block                   |              | 1    |
| 107       | HVBS462-107    | Blade Wheel Shaft                          |              | 1    |
| 108       | HVBS462-108    | Shaft Block                                |              | 1    |
| 109       | HVBS462-109    | Blade Tension Sliding Guide                |              | 2    |
| 110       | HVBS462-110E   | Motor Pulley Cover Assembly                |              | 1    |
|           | HVBS56M-CLC/CE | Caution Label for Pulley Cover (not shown) |              | 1    |
| 111       | TS-0680031     | Flat Washer                                | 5/16"        | 1    |
| 112       | VB-A22         | V-Belt                                     | A22          | 1    |
| 113       | 414301         | Blade                                      |              | 1    |
| 114       | TS-0680041     | Flat Washer                                | 3/8"         | 4    |
| 116       | HVBS463-170    | Wire Plug                                  |              | 3    |
| 117       | HVBS463-171    | Hex Screw                                  | 3/8"x1-1/4"  | 1    |
| 120       | HVBS462-120    | Bushing                                    |              | 1    |
| 122       | TS-0561041     | Hex Nut                                    | 7/16"        | 1    |
| 123       | TS-0050031     | Cap Screw                                  | 1/4"x3/4"    | 1    |
| 124       | HVBS463-124    | Machine Screw                              | 3/16"x3/4"   | 2    |
| 126       | HVBS462-126    | Bushing                                    |              | 1    |
| 132       | HVBS462-132    | Blade Guard-Right                          |              | 1    |
| 132-1     | HVBS462-132A   | Blade Guard-Left                           |              | 1    |
| 159       | HVBS463-159E   | Plum Handle Screw                          |              | 1    |
|           | HVBS56M-BS/CE  | 50HZ Blade Speed Label (not shown)         |              | 1    |
|           | HVBS56M-ID/CE  | CE's I.D. Label (not shown)                |              | 1    |
|           | JM-56M         | Stripe Decal (not shown)                   |              | 1    |
| 207       | HVBS56M-207E   | Position Pin                               |              | 1    |
| 208       | HVBS56M-208E   | Plum Handle                                |              | 1    |
| 218       | HVBS56M-218E   | Hex Nut                                    |              | 1    |
| 219       | HVBS56M-219E   | Hex Cap Bolt                               |              | 1    |
| 219-1     | HVBS56M-219-1E | Hex Cross Cap Bolt                         | 1/4" x 3/8"L | 2    |
| 220       | HVBS56M-220E   | Washer                                     |              | 2    |
| 221       | HVBS56M-221E   | Switch Cut Off Base                        |              | 1    |
| 224       | HVBS56M-224E   | Switch Base                                |              | 1    |
| 225       | HVBS56M-225E   | Hex Cross Cap Bolt                         | 1/4" x 3/8"L | 2    |
| 226       | HVBS56M-226E   | CE Push Button Switch                      |              | 1    |
| 227       | HVBS56M-227E   | Star Washer                                | 3/16"        | 2    |

# HVBS-56M

## 414458M

230/50/1

|      | colour of strands | Litzenfarben | couleur des cordons |
|------|-------------------|--------------|---------------------|
| BK   | black             | schwarz      | noir                |
| WH   | white             | weiß         | blanc               |
| BU   | blue              | blau         | bleu                |
| YE   | yellow            | gelb         | jaune               |
| RD   | red               | rot          | rouge               |
| BN   | brown             | braun        | brun                |
| GY   | grey              | grau         | gris                |
| GNYE | green-yellow      | grün-gelb    | vert-jaune          |
| OG   | orange            | orange       | orange              |
| VT   | violet            | violett      | violet              |

|    | meaning of symbol  | Bedeutung der Zeichen  | interprétation         |
|----|--------------------|------------------------|------------------------|
| M  | motor              | Motor                  | moteur                 |
| S  | switch             | Schalter               | interrupteur           |
| C  | condenser          | Kondensator            | condensateur           |
| E  | electronic unit    | Elektronik Einheit     | unité électronique     |
| F  | fuse               | Sicherung              | fusible                |
| RS | reversing switch   | Drehrichtungsschalter  | commu. droite/gauche   |
| CS | centrifugal switch | Fliehkraftschalter     | déclencheur centrifuge |
| OL | overload cut-off   | Überlastschuttschalter | déclencheur surcharge  |
| LS | limit switch       | Positionsendschalter   | micro                  |

