

J E T

HVBS-912

Metal Working Bandsaw

50000435T

400/50/3

**PARTS LIST
ERSATZTEILLISTE
LISTE DE PIECES**

WMH Tool Group AG

Bahnstrasse 24, CH – 8603 Schwerzenbach

www.wmhtoolgroup.ch; info@wmhtoolgroup.ch

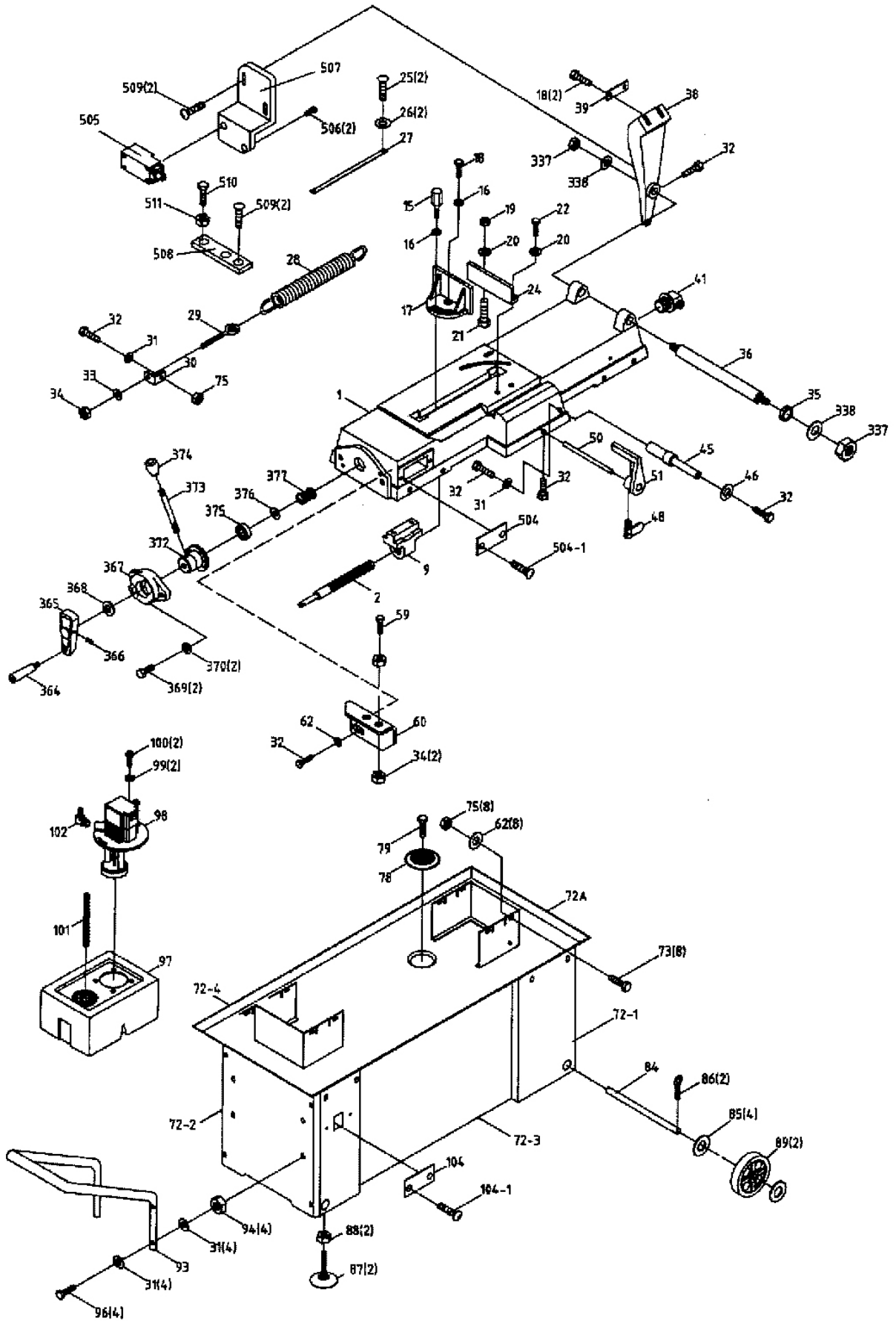
Tel +41 (0) 44 806 47 48

Fax +41 (0) 44 806 47 58

P-50000435T 06/09



Breakdown for the HVBS-912 Base Assembly

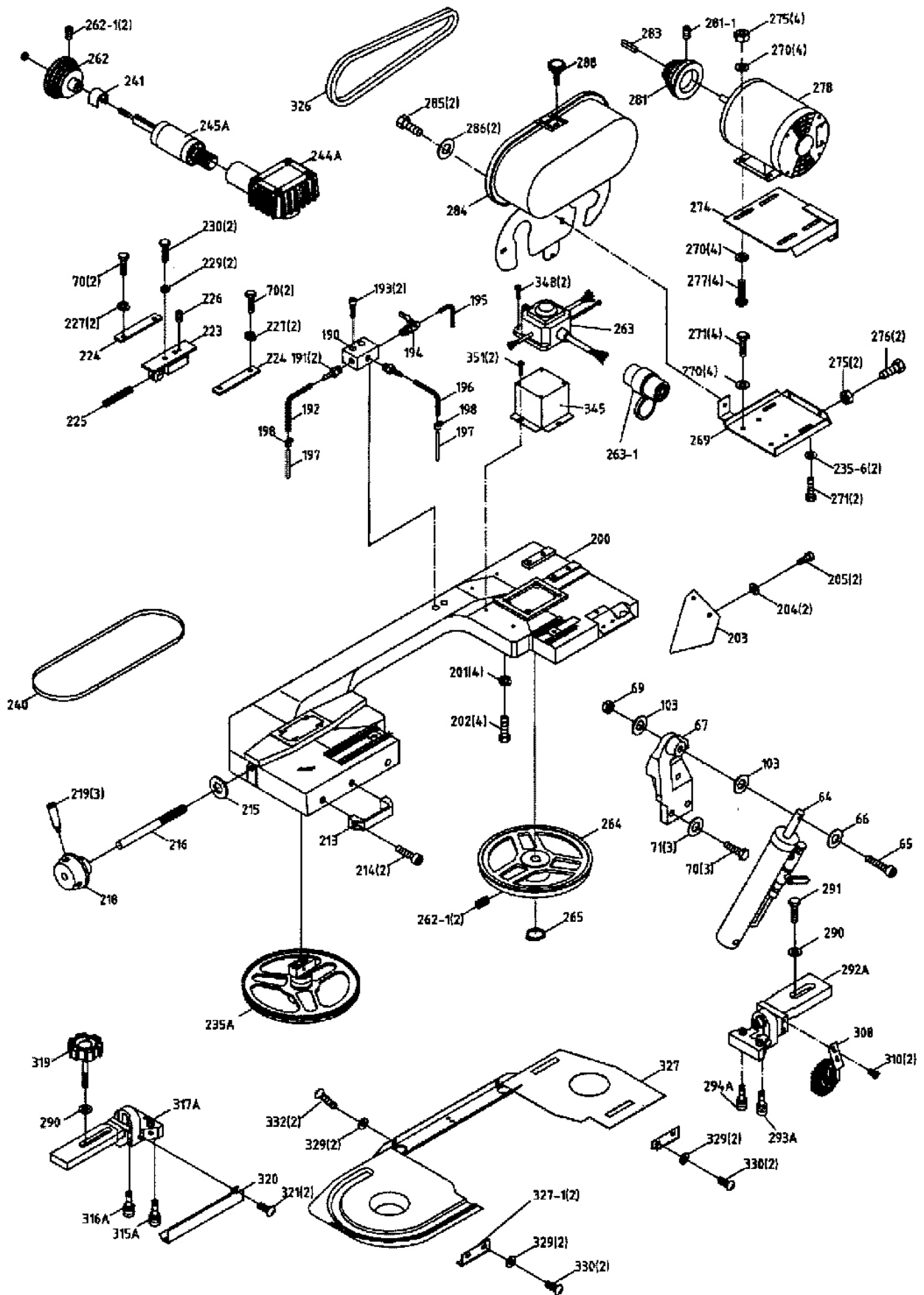


Parts List for the HVBS-912 Base Assembly

Index No.	Part No.	Description	Size	Qty.
1	HVBS912-01	Swivel Base		1
2	HVBS912-02	Acme Lead Screw		1
9	HVBS912-09	Bracket		1
15	HVBS912-15	Fixed Bolt		1
16	TS-0680042	Flat Washer	3/8"x25xt2	2
17	HVBS-912-17	Vise Jaw Bracket (Front)		1
18	TS-0060071	Hex Cap Screw	3/8"x1-1/2"L	3
19	TS-0561052	Hex Nut	1/2"	1
20	TS-0680061	Flat Washer	1/2"x28xt2	2
21	HVBS912-21	Carriage Screw	1/2"x2"L	1
22	TS-0070051	Hex Cap Screw	1/2"x2"L	1
24	HVBS912-24	Vise Jaw Bracket (Rear)		1
25	HVBS912-25	Cross Round Head Screw	3/16"x3/8"L	2
26	TS-0680011	Flat Washer	3/16"x12xt0.8	2
27	HVBS912-27	Scale		1
28	HVBS912-28	Spring		1
29	HVBS912-29	Spring Adjusting Rod		1
30	HVBS912-30	Spring Handle Bracket		1
31	TS-0680031	Flat Washer	5/16"x23xt2	10
32	TS-0081031	Hex Cap Screw	5/16"x3/4"L	6
33	TS-0680041	Flat Washer	3/8"x23xt2	1
34	TS-0561031	Hex Nut	3/8"	3
35	HVBS912-35	Bushing		1
36	HVBS912-36	Support Rod		1
38	HVBS912-38	Pivot Bracket		1
39	HVBS912-39	Plate		1
41	HVBS912-41	Wire Nipple	5/8"	1
45	HVBS912-45	Cylinder Lower Support		1
46	HVBS912-46	Flat Washer	5/16"x19xt1.5	1
48	HVBS912-48	Thumb Screw		1
50	HVBS912-50	Stock Stop Rod		1
51	HVBS912-51	Stop Block		1
59	TS-0060081	Hex Cap Screw	3/8"x1-3/4"L	1
60	HVBS912-60	Support Plate		1
62	HVBS912-62	Flat Washer	5/16"x18xt1.5	9
72A	HVBS912-72A	Stand Complete Assembly (#72-1 thru 72-4)		1
72-1	HVBS912-72-1	Leg (Left)		1
72-2	HVBS912-72-2	Leg (Right)		1
72-3	HVBS912-72-3	Panel		1
72-4	HVBS912-72-4	Water Tray		1
73	TS-0051051	Hex Cap Screw	5/16"x1"L	8
75	TS-0561021	Hex Nut	5/16"	8
78	HBS912-78	Filter		1
79	TS-0050011	Hex Cap Screw	1/4"-20*1/2"L	1
84	HVBS912-84	Wheel Rod		1
85	HVBS912-85	Flat Washer	5/8"x30xt3mm	4
86	HVBS912-86	Cotter Pin	Ø3x25L	2
87	HVBS912-87	Coaster of Stand	1/2"	2
88	HVBS912-88	Hex Nut	1/2"	2
89	HVBS912-89	Wheel		2

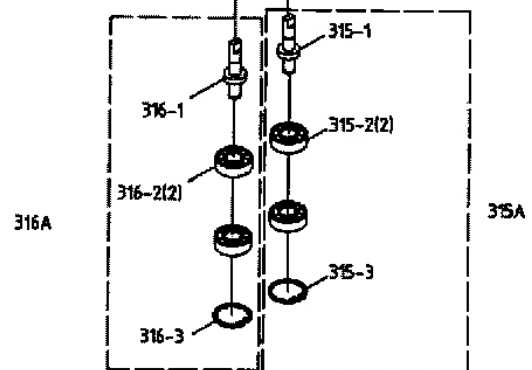
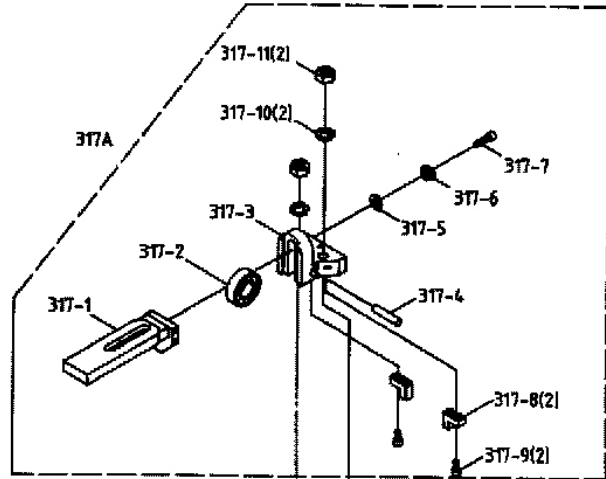
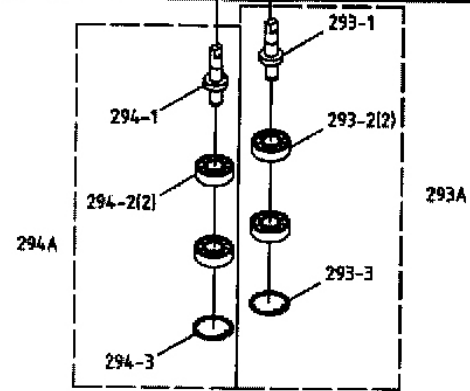
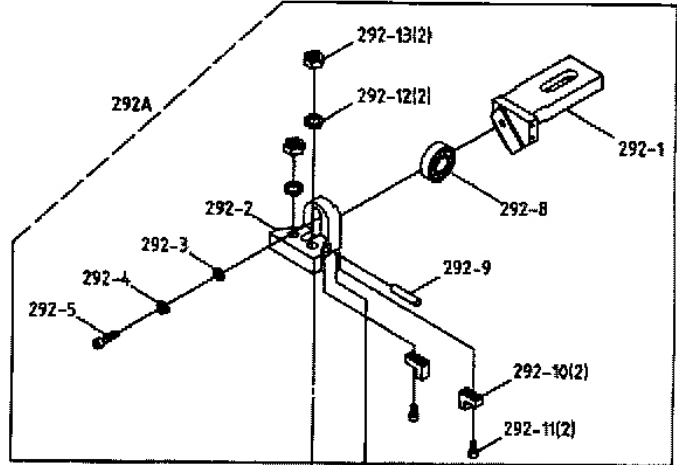
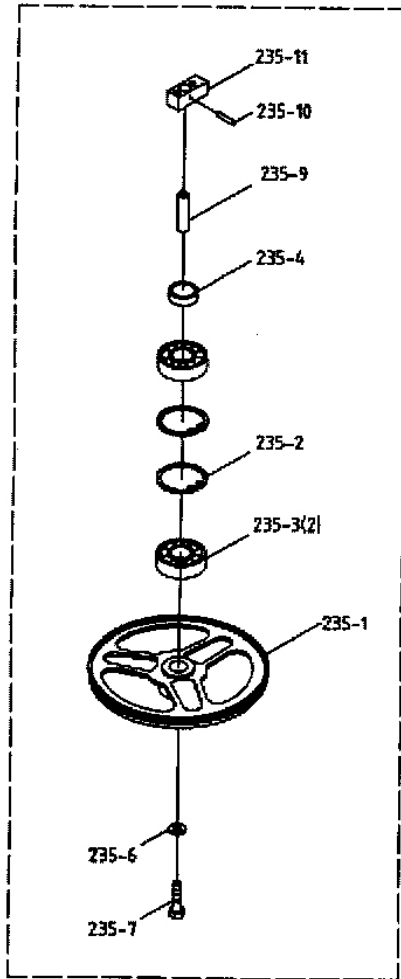
Index No.	Part No.	Description	Size	Qty.
93	HVBS912-93	Hand Rod		1
94	TS-0561021	Hex Nut	5/16"	4
96	TS-0051071	Hex Cap Screw	5/16"-18x1-1/2"L	4
97	HVBS912-97	Coolant Tank		1
98	HVBS912-98AE	Pump	400V, 50Hz,	1
	HVBS912-PLE	Pump Label for CE (not shown)		1
99	TS-0680021	Flat Washer	1/4"x19xt1.5	2
100	HVBS912-100	Cross Round Head Screw	1/4"x5/8"L	2
101	HVBS912-101	Hose	5/8"x200mm	1
102	HVBS912-102	Coupler	3/8"PTx5/16"	1
104	HVBS912-104	Plate		1
104-1	HVBS912-104-1	Cross Round Head Screw	3/16" x 10	2
337	TS-0640112	Nut	1/2"	2
338	TS-0680061	Flat Washer	1/2"x28xt2	2
364	HVBS912-364	Knob		1
365	HVBS912-365	Knob		1
366	TS-0270051	Socket Set Screw	5/16"-18X1/2"L	1
367	HVBS912-367	Bracket		1
368	TS-2360121	Flat Washer	M12xt2	1
369	TS-0060061	Hex Cap Screw	3/8"x1-1/4"L	2
370	TS-0680041	Flat Washer	3/8"x20xt2	2
372	HVBS912-372	Bracket		1
373	HVBS912-373	Shaft		1
374	HVBS912-374	Plastic Round Knob		1
375	HVBS912-375	Bearing		1
376	TS-2360121	Flat Washer	M12	1
377	HVBS912-377	Spring		1
500	HVBS912-500	Power Cable		1
501	HVBS912-501	Pump-Cable		1
502	HVBS912-502	Limit-Cable		1
503	HVBS912-503	Motor-Cable		1
504	HVBS912-104	Plate		1
504-1	HVBS912-104-1	Cross Round Head Screw	3/16" x 10	2
505	HVBS912-505	Limit Switch		1
506	HVBS912-506	Pan Head Screw	M4 x 25	2
507	HVBS912-507	Bracket		1
508	HVBS912-508	Stop Plate		1
509	HVBS912-509	Cross Round Head Screw	3/16" x 10	4
510	HVBS912-510	Hex Cap Screw	5/16" x 1-1/4"	1
511	HVBS912-511	Hex Nut	5/16"	1
**	HVBS912-JL	Jet Logo (not shown)		1
**	HVBS912-IDE	ID Label for CE (not shown)		1
**	HVBS912-GL	Ground Label (not shown)		1
**	601W-05L003	Warning Label for Saw (not shown)		1
**	601W-05L005	Warning Label for Glasses (not shown)		1

Breakdown for the HVBS-912 Head Assembly

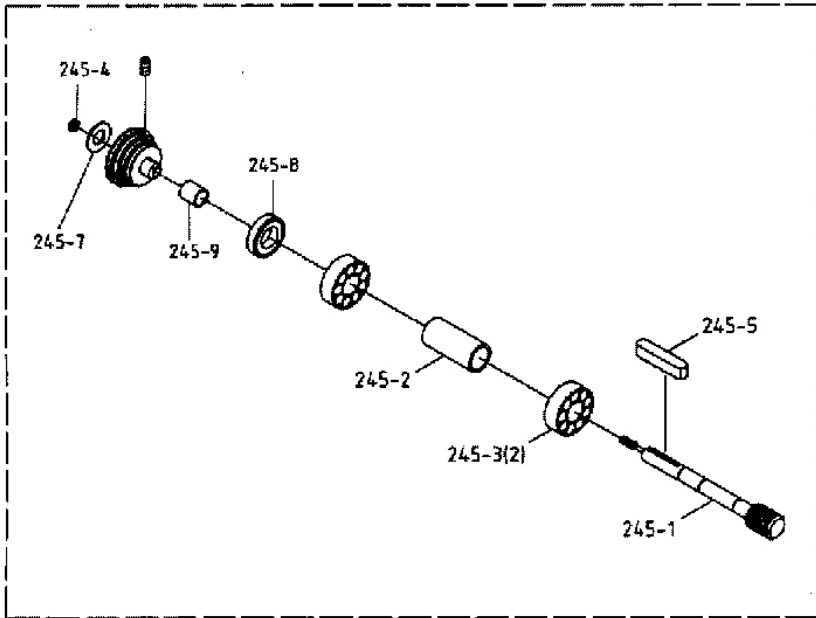


Breakdown for the HVBS-912 Bearing Bracket Assembly

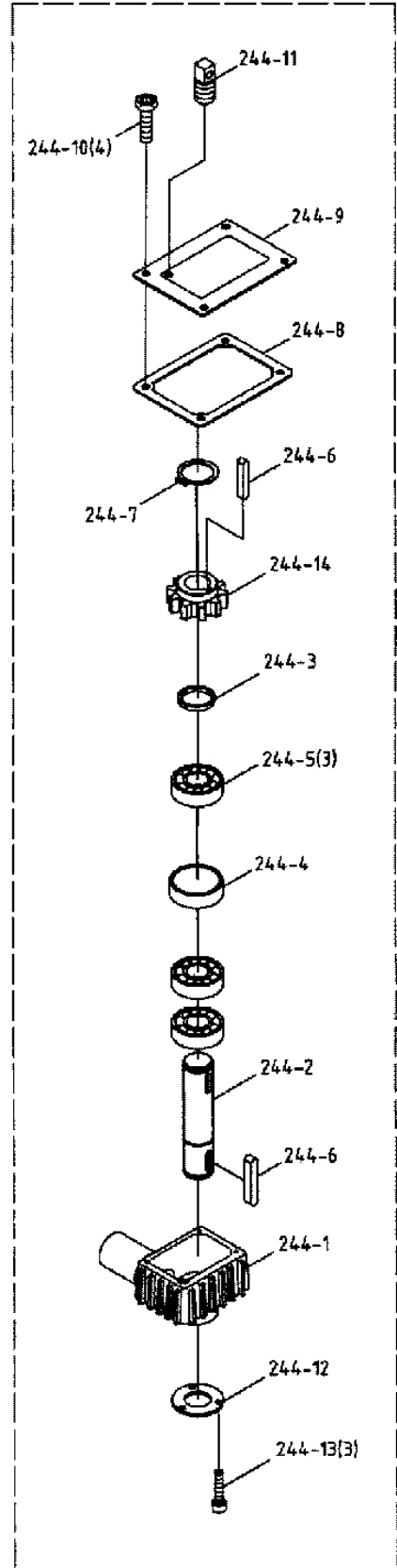
235A



Breakdown for the HVBS-912 Gear box Assembly



245A



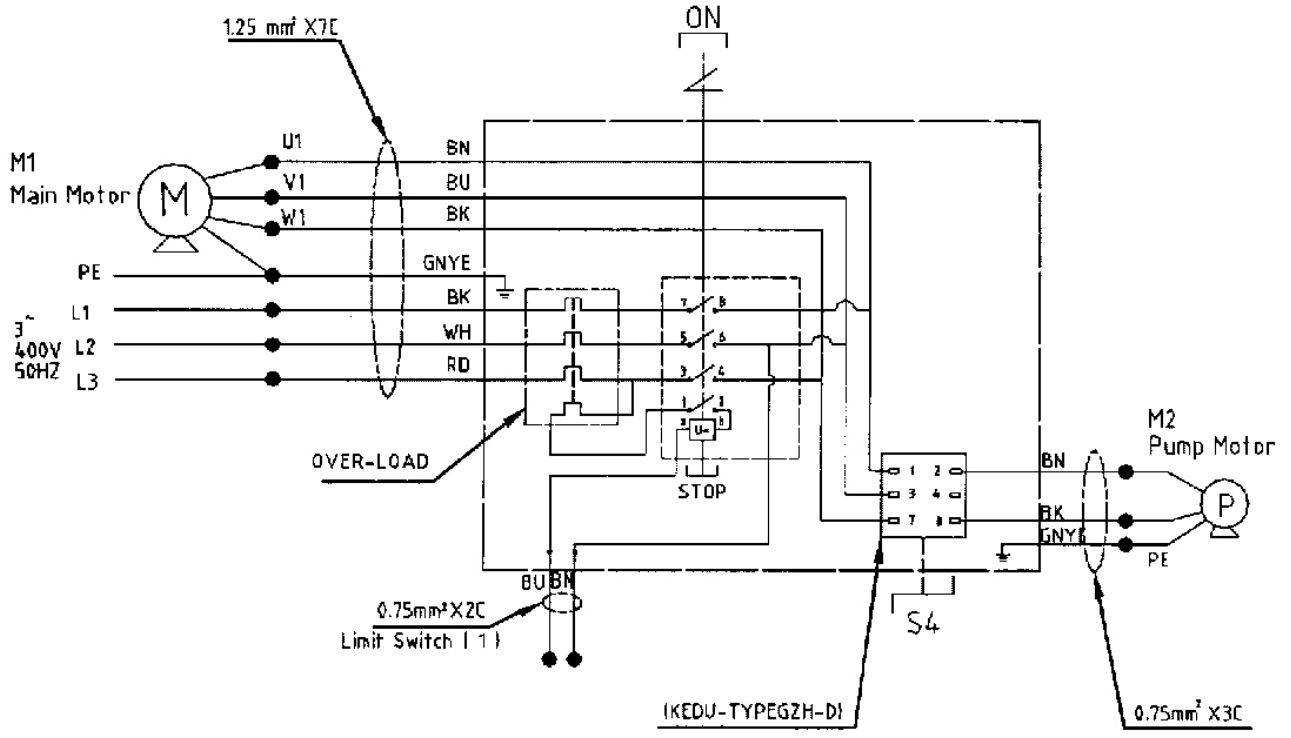
244A

Parts List for the HVBS-912 Head Assembly

Index No.	Part No.	Description	Size	Qty.
64	HVBS912-64	Cylinder Complete Set	RF-712N	1
65	TS-0209102	Socket Head Cap Screw	3/8"x2-1/4"L	1
66	TS-0680041	Flat Washer	3/8"x25xt2	1
67	HVBS912-67	Pivot Arm		1
69	TS-0561031	Hex Nut	3/8"	1
70	TS-0051051	Hex Cap Screw	5/16"x1"L	7
71	TS-0680031	Flat Washer	5/16"x18xt1.5	3
103	HVBS912-103	Flat Washer	3/8"x20xt2	2
190	HVBS912-190	3 Way Valve		1
191	HVBS912-191	Tube Clamp	1/4PTx1/4"	2
192	HVBS912-192	Hose	8 x 6 x 1100(1/4")	1
193	TS-0207072	Socket Head Screw	1/4"x1-1/4"L	2
194	HVBS912-194	Valve	1/4"PTx5/16"	1
195	HVBS912-195	Hose	12 x 8 x 1400(5/16")	1
196	HVBS912-196	Hose	8 x 6 x 400(1/4")	1
197	HVBS912-197	Hose Bib		2
198	HVBS912-198	Hose Clamp		2
200	HVBS912-200	Bow		1
201	TS-0720091	Spring Washer	3/8"	4
202	TS-0060061	Hex Cap Screw	3/8"x1-1/4"L	4
203	HVBS912-203	Plate		1
204	TS-0680021	Flat Washer	1/4"x16xt1.5	2
205	HVBS912-205	Cross Socket Hex Cap Screw	1/4"x5/8"L	2
213	HVBS912-213	Knob		1
214	TS-0208061	Socket Head Cap Screw	5/16"x1"L	2
215	HVBS912-215	Flat Washer	3/8"x25xt2	1
216	HVBS912-216	Blade Tension Bar		1
218	HVBS912-218	Handle Body		1
219	HVBS912-219	Handle		3
223	HVBS912-223	Blade Tension Sliding Block		1
224	HVBS912-224	Sliding Plate		2
225	HVBS912-225	Spring		1
226	TS-0270071	Socket Set Screw	5/16"x3/4"L	1
227	TS-0720081	Spring Washer	5/16"	4
229	TS-0680031	Flat Washer	5/16"x12xt2	2
230	TS-0051071	Hex Cap Screw	5/16"x1-1/2"L	2
235A	HVBS912-235A	Idler Wheel Assembly (#235-1 ~ #235-11)		1
235-1	HVBS912-235-1	Idler Wheel		1
235-2	HVBS912-235-2	C-Retainer Ring	R52	2
235-3	HVBS912-235-3	Bearing	6205LLU	2
235-4	HVBS912-235-4	Bushing		1
235-6	TS-0680031	Flat Washer	5/16"x20xt3	2
235-7	TS-0051081	Hex Cap Screw	5/16"x3/4"L	1
235-9	HVBS912-235-9	Blade Wheel Shaft		1
235-10	HVBS912-235-10	Pin	φ 5x34L	1
235-11	HVBS912-235-11	Sliding Plate Draw Block		1
240	HVBS912-240	Blade (5-8T)	27x0.9x2655	1
241	HVBS912-241	Cover		1
244	HVBS912-244	Gear Box Assembly (Include #244A ~ 245A and 262, 262-1)		1
244A	HVBS912-244A	Gear Box Assembly (#244-1 ~ 244-14)		1

Index No.	Part No.	Description	Size	Qty.
244-1	HVBS912-244-1	Gear Box		1
244-2	HVBS912-244-2	Transmission Shaft		1
244-3	HVBS912-244-3	Bushing		1
244-4	HVBS912-244-4	Bushing		1
244-5	HVBS912-244-5	Bearing	6205LLU	3
244-6	HVBS912-244-6	Key	6x6x20L	2
244-7	HVBS912-244-7	C-Retainer Ring	S25	1
244-8	HVBS912-244-8	Gear Box Gasket		1
244-9	HVBS912-244-9	Gear Box Cover		1
244-10	HVBS912-244-10	Cross Socket Hex Head Screw	1/4"x5/8"L	4
244-11	HVBS912-244-11	Vent Plug	M8xP1	1
244-12	HVBS912-244-12	Bearing Cover		1
244-13	HVBS912-244-13	Cross Round Head Screw	3/16"x3/8"L	3
244-14	HVBS912-244-14	Worm Gear		1
245A	HVBS912-245A	Worm Gear Shaft Assembly (#245-1 ~ 245-9)		1
245-1	HVBS912-245-1	Worm Shaft		1
245-2	HVBS912-245-2	Bearing Bushing		1
245-3	HVBS912-245-3	Bearing	6003LLU	2
245-4	HVBS912-245-4	Lock Nut	1/2"-12	1
245-5	HVBS912-245-5	Key	5x5x30L	1
245-7	HVBS912-245-7	Flat Washer	1/2"	1
245-8	HVBS912-245-8	Special Nut	M42xP2	1
245-9	HVBS912-245-9	Bushing		1
262	HVBS912-262	Spindle Pulley		1
262-1	TS-0267042	Socket Set Screw	1/4"x3/8"L	4
263	HVBS912-263AE	Switchbox complete with cables	400V, 50Hz, 3Ph	1
263-1	HVBS912-263-1	Plug	400V, 5Pin	1
264	HVBS912-264	Drive Wheel		1
265	HVBS912-265	C-Retainer Ring	S25	1
269	HVBS912-269	Motor Mount Bracket		1
270	TS-0680031	Flat Washer	5/16"x23xt2	12
271	TS-0081031	Hex Cap Screw	5/16"x3/4"L	6
274	HVBS912-274	Motor Mount Plate		1
275	TS-0561021	Hex Nut	5/16"	6
276	TS-0081051	Hex Cap Screw	5/16"x1"L	2
277	TS-0152011	Carriage Screw	5/16"x1"L	4
278	HVBS912-278AE	Motor	400V 3Ph	1
281	HVBS912-281	Motor Pulley		1
281-1	TS-0267041	Socket Set Screw	1/4"x3/8"L	1
283	HVBS912-283	Key	5x5x30L	2
284	HVBS912-284	Motor Pulley Cover		1
	HVBS56M-CLB/CE	Caution Label for Pulley Cover (not shown)		1
285	TS-0050011	Hex Cap Screw	1/4" x 1/2"L	2
286	TS-0720071	Spring Washer	1/4"	2
288	HVBS912-288	Knob		1
290	TS-0680041	Flat Washer	3/8"x25xt2	2
291	TS-0060061	Hex Cap Screw	3/8"x1-1/4"L	1
292A	HVBS912-292A	Adjustable Bracket Assembly (Rear) (#292-1 ~ #292-13)		1
292-1	HVBS912-292-1	Adjustable Bracket		1
292-2	HVBS912-292-2	Blade Adjustable		1
292-3	TS-0680031	Flat Washer	5/16"x18xt1.5	1
292-4	TS-0720081	Spring Washer	5/16"	1
292-5	TS-0208071	Socket Head Cap Screw	5/16"x1-1/4"L	1
292-8	HVBS912-292-8	Bearing	608ZZ	1

Index No.	Part No.	Description	Size	Qty.
292-9	HVBS912-292-9	Bearing Pin		2
292-10	HVBS912-292-10	Carbide Guide		2
292-11	TS-1503041	Socket Head Cap Screw	M6x16L	2
292-12	TS-0720091	Spring Washer	3/8"	2
292-13	TS-0561031	Hex Nut	3/8"UNF	2
293A	HVBS912-293A	Guide Pivot (Rear) (#293-1 ~ #293-3)		1
293-1	HVBS912-293-1	Guide Pivot (Rear)		1
293-2	HVBS912-293-2	Bearing	608ZZ	2
293-3	HVBS912-293-3	C-Retainer Ring	S8	1
294A	HVBS912-294A	Bearing Shaft (#294-1 ~ #294-3)		1
294-1	HVBS912-294-1	Bearing Shaft		1
294-2	HVBS912-294-2	Bearing	608ZZ	2
294-3	HVBS912-294-3	C-Retainer Ring	S8	1
308	HVBS912-308	Brush Assembly		1
310	HVBS912-310	Cross Round Head Screw	3/16"x3/8"L	2
315A	HVBS912-315A	Guide Pivot (Front) (#315-1 ~ #315-3)		1
315-1	HVBS912-315-1	Guide Pivot (Front)		1
315-2	HVBS912-315-2	Bearing	608ZZ	2
315-3	HVBS912-315-3	C-Retainer Ring	S8	1
316A	HVBS912-316A	Bearing Shaft (#316-1 ~ #316-3)		1
316-1	HVBS912-316-1	Bearing Shaft		1
316-2	HVBS912-316-2	Bearing	608ZZ	2
316-3	HVBS912-316-3	C-Retainer Ring	S8	1
317A	HVBS912-317A	Adjustable Bracket Assembly (Front) ((#317-1 ~ #317-11)		1
317-1	HVBS912-317-1	Adjustable Bracket (Front)		1
317-2	HVBS912-317-2	Bearing	608ZZ	1
317-3	HVBS912-317-3	Blade Adjustable (Rear)		1
317-4	HVBS912-317-4	Bearing Pin		1
317-5	HVBS912-317-5	Flat Washer	5/16"x18xt1.5	1
317-6	HVBS912-317-6	Spring Washer	5/16"	1
317-7	HVBS912-317-7	Socket Head Cap Screw	5/16"x1-1/4"L	1
317-8	HVBS912-317-8	Carbide Guide		2
317-9	HVBS912-317-9	Socket Head Cap Screw	M6x16L	2
317-10	HVBS912-317-10	Spring Washer	3/8"	2
317-11	HVBS912-317-11	Hex Nut	3/8"UNF	2
318	HVBS912-318	Flat Washer	3/8"x25xt2	1
319	HVBS912-319	Knob		1
320	HVBS912-320	Blade Guard		1
321	HVBS912-321	Cross Round Head Screw	5/32"x1/4"L	2
326	HVBS912-326	Belt	3V-270	1
327	HVBS912-327	Blade Cover		1
	HVBS56M-CLB/CE	Caution Label for Blade Back Cover (not shown)		1
327-1	HVBS912-327-1	Plate		1
329	TS-0680021	Flat Washer	1/4"x16xt1.5	6
330	HVBS912-330	Cross Round Head Screw	1/4"x1/2"L	4
332	HVBS912-332	Cross Round Head Screw	1/4" x 1/2"	2
340	HVBS912-340	Bracket for CE Only		1
341	HVBS912-341	Cross Round Head Screw	M4x5L	2
342	HVBS912-342	Switch Base		1
343	TS-1550031	Flat Washer	M5	2
344	HVBS912-344	Cross Round Head Screw	M5x10L	2
345	HVBS912-345	Control Box Base		1
348	HVBS912-348	Cross Round Head Screw	M6x12L	4
351	TS-1503021	Socket Head Cap Screw	M6-1.0Px10L	2



colour of strands	Litzenfarben	couleur des cordons
BK	schwarz	noir
WH	weiß	blanc
BU	blau	bleu
RD	rot	rouge
BN	braun	brun
GNYE	grün-gelb	vert-jaune

meaning of symbol	Bedeutung der Zeichen	interprétation
M1	Hauptmotor	Moteur principal
M2	Kühlmittelmotor	Moteur pompe
S4	Kühlmittel-Schalter	Bouton pompe