



**HVBS-912G**

**Ленточнопильный станок**

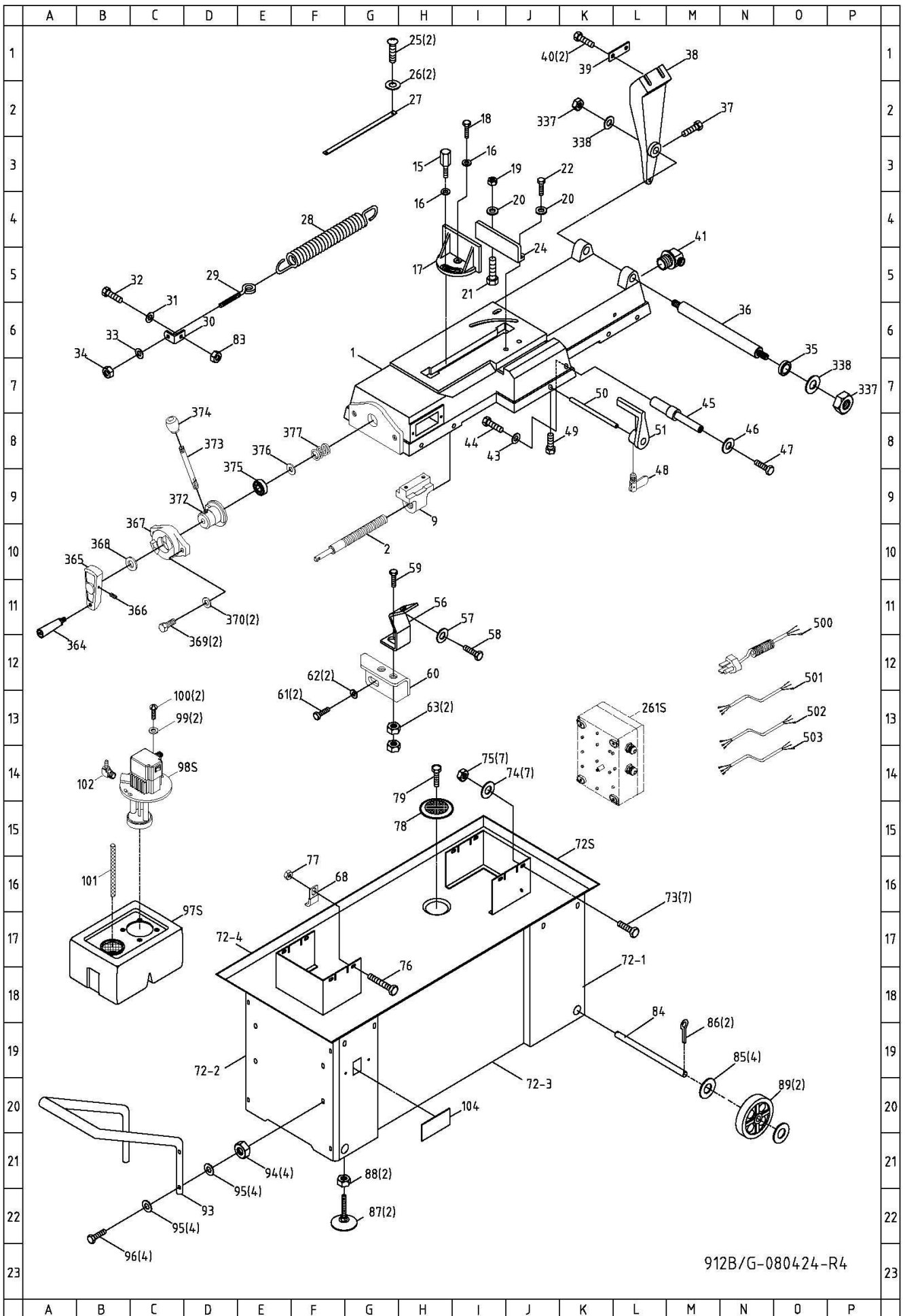
**СПЕЦИФИКАЦИЯ ДЕТАЛЕЙ  
ERSATZTEILLISTE  
LISTE DE PIECES**

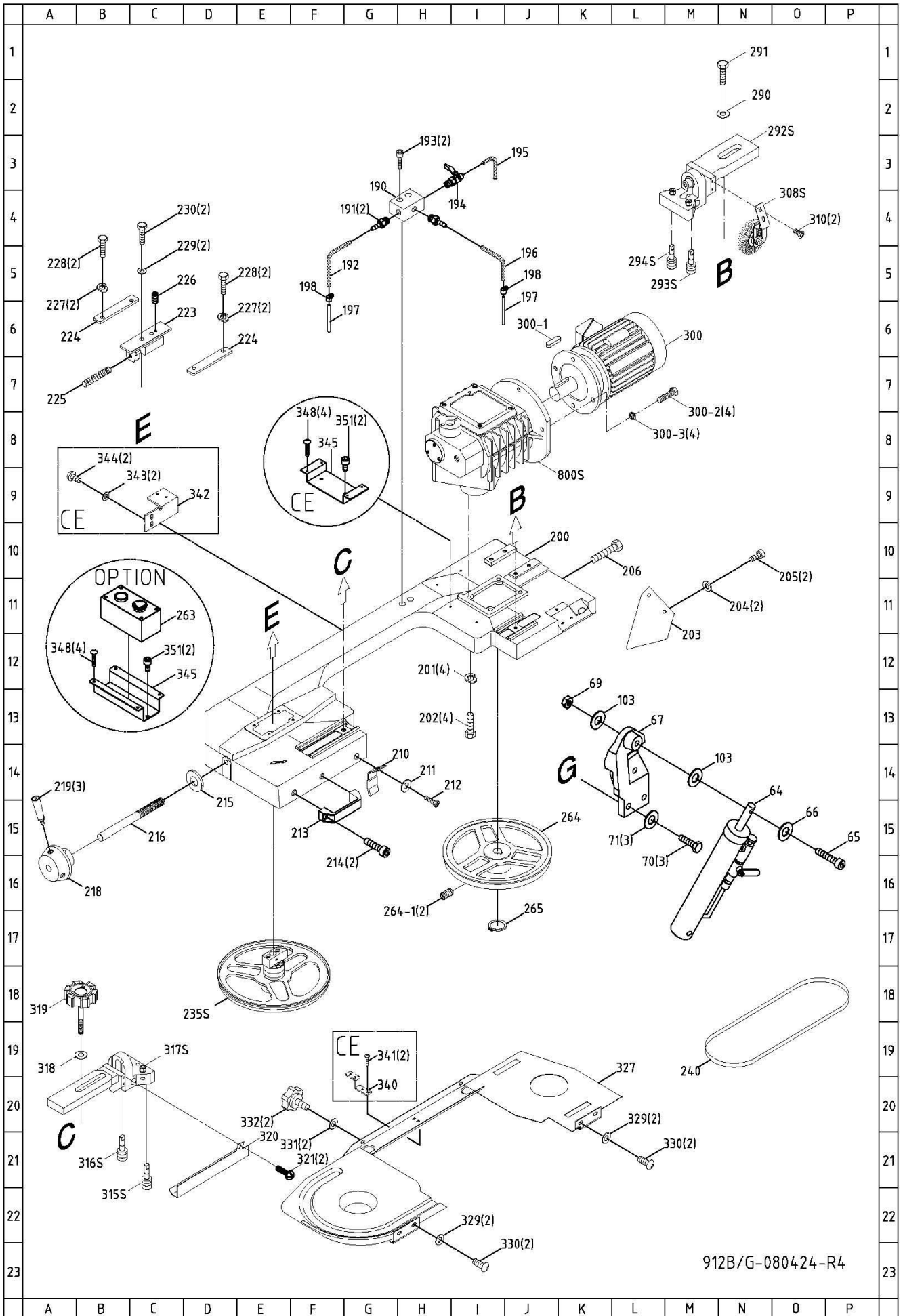
---

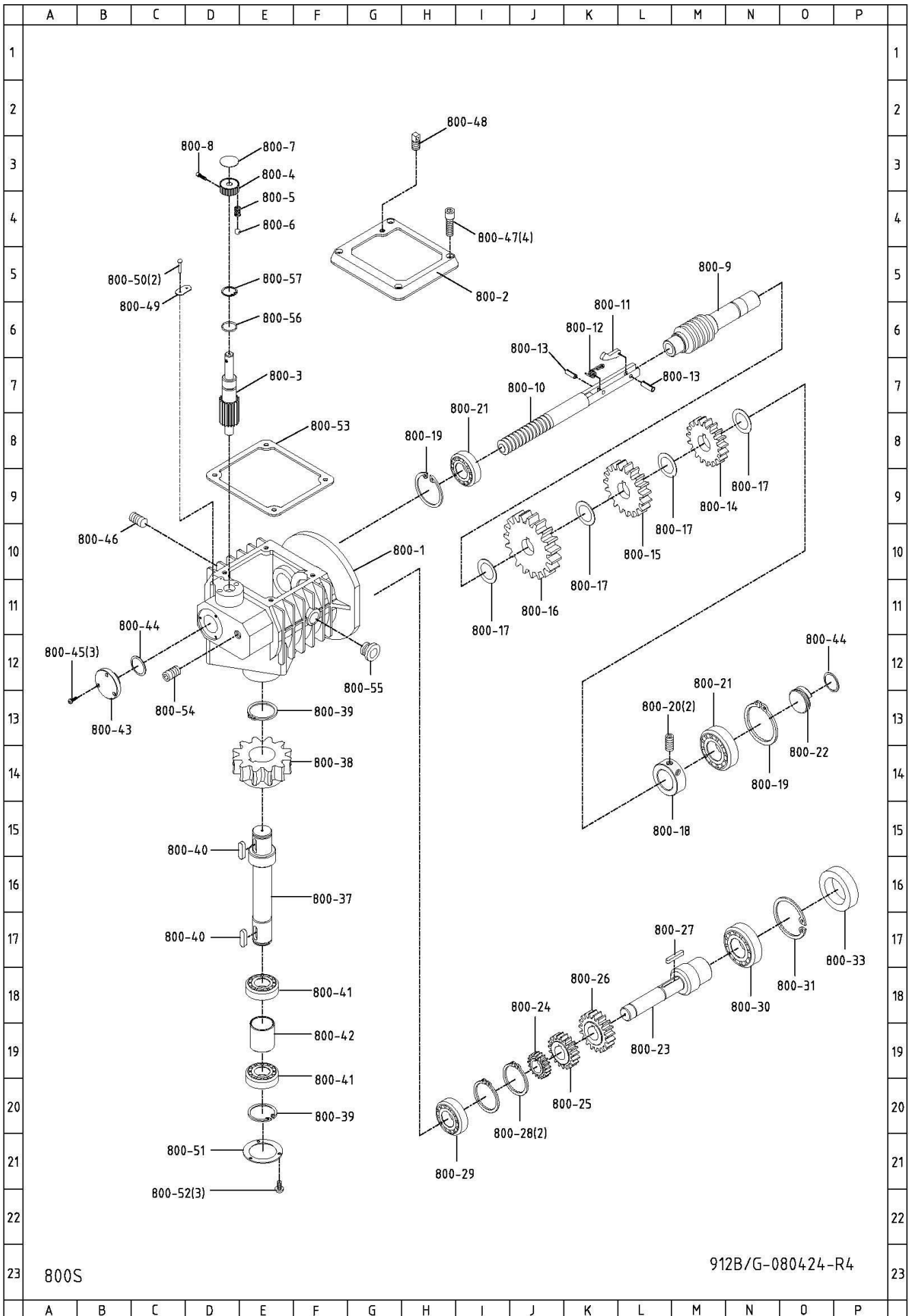
Walter Meier AG  
WMH Tool Group AG, Bahnstrasse 24, CH-8603 Schwerzenbach  
Walter Meier (Fertigung) AG, Bahnstrasse 24, CH-8603 Schwerzenbach  
Walter Meier (Tool) AG, CH-8117 Fälladen  
[www.jettools.com](http://www.jettools.com); [info@jettools.com](mailto:info@jettools.com)  
Tel. +41 (0) 44 806 47 48  
Fax +41 (0) 44 806 47 58

Фирма-импортер ООО «ИТА-СПб»  
Санкт-Петербург, Складской проезд, д. 4а, тел.: +7 (812) 334-33-28  
Московский офис ООО «ИТА-СПб»  
Москва, Переведеновский переулок, д. 17, тел.: +7 (495) 626-71-00  
[www.jettools.ru](http://www.jettools.ru); [info@jettools.ru](mailto:info@jettools.ru)

ITA912G...2010/03







800S

912B/G-080424-R4

## PART LIST I

CODE	PART NO	DESCRIPTION	SPECIFICATION	QTY	NOTE
1	192012A	Swivel Base		1	
2	192009A	Acme Screw		1	
9	181138B	Acme Nut		1	
15	181266	Fixed Bolt		1	
16	W008	Washer	3/8"x25xt2	2	
17	192015	Vise Jaw Bracket(Front)		1	
18	S012	Hex. Head Screw	3/8"x1-1/2"L	1	
19	N001	Hex. Nut	1/2"	1	
20	W002	Washer	1/2"x28xt2	2	
21	S501	Carriage Screw	1/2"x2"L	1	
22	S003	Hex. Head Screw	1/2"x2"L	1	
24	192008	Vise Jaw Bracket(Rear)		1	
25	S708	Cross Round Head Screw	3/16"x3/8"L	2	
26	W007	Washer	3/16"x12xt0.8	2	
27	192044	Scale		1	
28	181117-1	Spring		1	
29	181118	Spring Adjusting Rod		1	
30	192040	Spring Handle Bracket		1	
31	W016	Washer	5/16"x23xt2	1	
32	S022	Hex. Head Screw	5/16"x3/4"L	1	
33	W014	Washer	3/8"x23xt2	1	
34	N005	Hex. Nut	3/8"	1	
35	192051	Bushing		1	
36	192042A	Support Rod		1	
37	P602	Hex. Head Screw	5/16"x3/4"L	1	
38	192003	Pivot Bracket		1	
39	181270	Washer		1	
40	S012	Hex. Head Screw	3/8"x1-1/2"L	2	
41	ET2108	Wire Nipple	5/8"	1	
43	W018	Washer	5/16"x23xt3	1	
44	S022	Hex. Head Screw	5/16"x3/4"L	1	
45	181301-2	Cylinder Lower Support		1	
46	W016	Washer	5/16"x19xt1.5	1	
47	S018	Hex. Head Screw	5/16"x1/2"L	1	
48	181130	Thumb Screw		1	
49	S022	Hex. Head Screw	5/16"x3/4"L	1	
50	3021	Stock Stop Rod		1	
50	3021A	Stock Stop Rod		1	Option
51	181125	Stop Block		1	
56	192011	Fixed Plate		1	
57	W005	Washer	1/4"x16xt1.5	1	
58	S019	Hex. Head Screw	5/16"x1-1/2"L	1	

CODE	PART NO	DESCRIPTION	SPECIFICATION	QTY	NOTE
59	S014	Hex. Head Screw	3/8"x1-3/4"L	1	
60	181112A	Support Plate		1	
61	S022	Hex. Head Screw	5/16"x3/4"L	2	
62	W017	Washer	5/16"x18xt1.5	2	
63	N005	Hex. Nut	3/8"	2	
64	181304B	Cylinder Complete Set	RF-712N	1	
65	S412	Hex. Socket Head Screw	3/8"x2-1/4"L	1	
66	W008	Washer	3/8"x25xt2	1	
67	181302-2	Cylinder Upper Support		1	
68	3076	Switch Cut Off Tip		1	
69	N005	Hex. Nut	3/8"	1	
70	S017	Hex. Head Screw	5/16"x1"L	3	
71	W017	Washer	5/16"x18xt1.5	3	
72S	192045FS	Stand Complete Assembly		1	
73	S017	Hex. Head Screw	5/16"x1"L	7	
74	W017	Washer	5/16"x18xt1.5	7	
75	N007	Hex. Nut	5/16"	7	
76	S013	Hex. Head Screw	3/8"x1-1/4"L	1	
77	N005	Hex. Nut	3/8"	1	
78	191106	Filter		1	
79	S006	Hex. Head Screw	1/4"-20*1/2"L	1	
83	N007	Hex. Nut	5/16"	1	
84	195022B	Wheel Rod		1	
85	W019	Washer	5/8"x40xt3mm	4	
86	HP210	Cotter Pin	ϕ3x25L	2	
87	195038	Coaster of Stand	1/2"	2	
88	N001	Hex. Nut	1/2"-12	2	
89	181129	Wheel		2	
93	192039	Hand Rod		1	
94	N007	Hex. Nut	5/16"-18	4	
95	W016	Washer	5/16"x23xt2mm	8	
96	S019	Hex. Head Screw	5/16"-18x1-1/2"L	4	
97S	181256	Coolant Tank		1	
98S		Pump		1	
99	W004	Washer	1/4"x19xt1.5	2	
100	S717	Cross Round Head Screw	1/4"x5/8"L	2	
101	181854	Hose	5/8"x200mm	1	
102	181852A	Coupler	3/8"PTx5/16"	1	
103	W013	Washer	3/8"x20xt2	2	
104	181900	Warning mark		1	
190	101073	3 Way Valve		1	
191	1341089	Tube Clamp	1/4PTx1/4"	2	
192	192056	Hose	OD8xID6x1100L(1/4")	1	
193	S475	Hex. Socket Head Screw	1/4"x1-1/4"L	2	

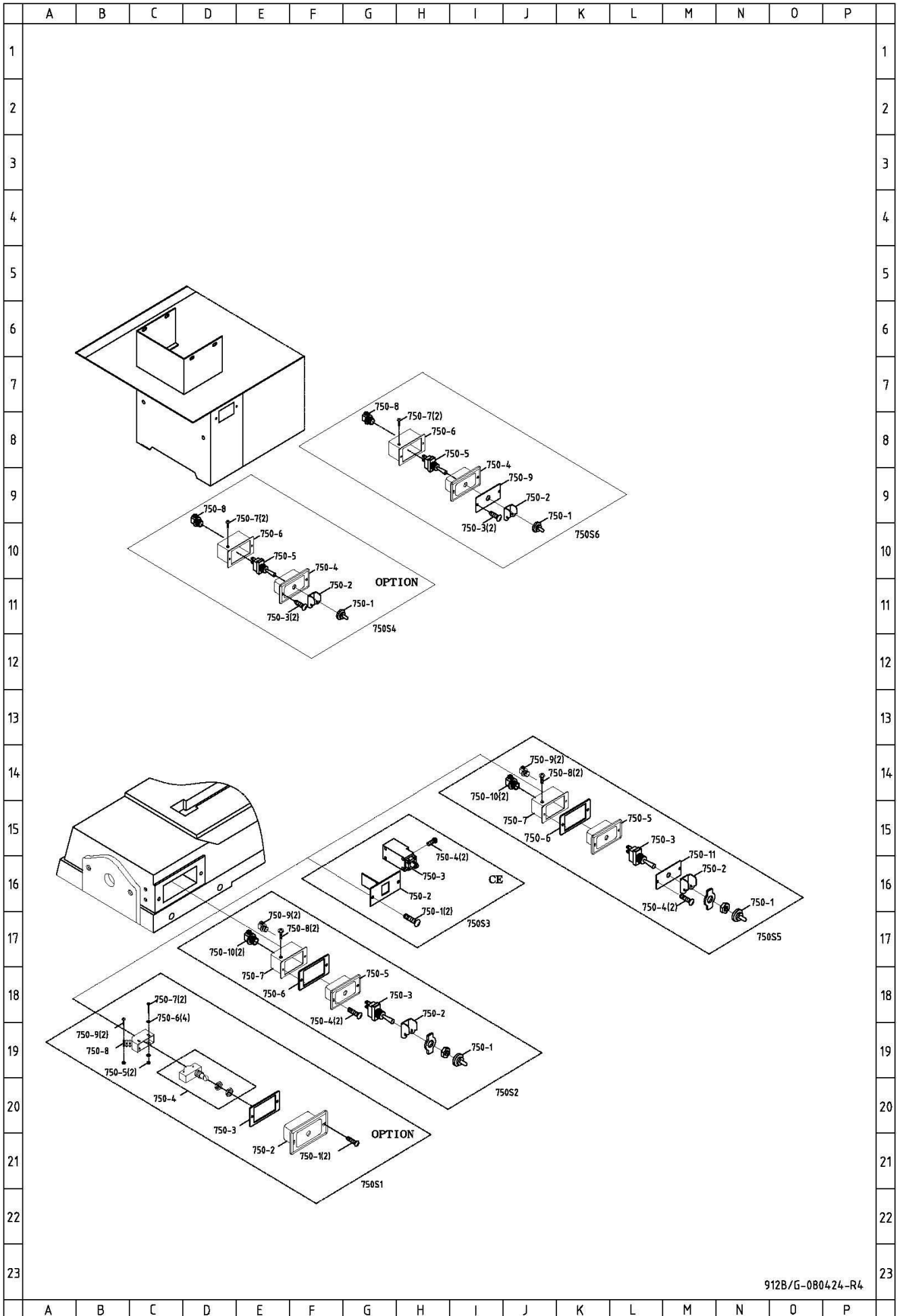
CODE	PART NO	DESCRIPTION	SPECIFICATION	QTY	NOTE
194	192053	Valve	1/4"PTx5/16"	1	
195	192058	Hose	OD12xID8x1400L(5/16")	1	
196	192057	Hose	OD8xID6x400L(1/4")	1	
197	101079	Hose Bib		2	
198	103126-4	Hose Clamp		2	
200	192001	Body Frame		1	
201	W204	Spring Washer	3/8"	4	
202	S013	Hex. Head Screw	3/8"x1-1/4"L	4	
203	192041	Support Plate		1	
204	W005	Washer	1/4"x16xt1.5	2	
205	S201	Cross Socker Hex. Head Screw	1/4"x5/8"L	2	
206	S022	Hex. Head Screw	5/16"x3/4"L	1	
210	192023A	Switch Cut Off Tip		1	
211	W005	Washer	1/4"x16xt1.5	1	
212	S201	Cross Socker Hex. Head Screw	1/4"x5/8"L	1	
213	1965052	Knob		1	
214	S414	Hex. Socket Head Screw	5/16"x1"L	2	
215	W008	Washer	3/8"x25xt2	1	
216	192038A	Blade Tension Bar		1	
218	192037B	Handle Body		1	
218	192037C	Handle Body		1	Option
219	3027	Knob		3	
223	192052	Blade Tension Sliding Block		1	
224	181210	Sliding Plate		2	
225	192026	Spring		1	
226	S608	Hex. Socker Headless Screw	5/16"x3/4"L	1	
227	W205	Spring Washer	5/16"	4	
228	S020	Hex. Head Screw	5/16"×1"L	4	
229	W015	Washer	5/16"x12xt2	2	
230	S019	Hex. Head Screw	5/16"x1-1/2"L	2	
235S	192016AS	Idler Wheel Set		1	
240	192050A	Blade	27x0.9x2655x5-8T	1	
241	181237D	Cover		1	
261S		Box		1	
263S	ET1924S	Control Box		1	
264	192017A	Drive Wheel		1	
264-1	S604	Hex. Socker Headless Screw	1/4"x3/8"L	2	
265	HCS13	C-Retainer Ring	S25	1	
290	W008	Washer	3/8"x25xt2	1	
291	S013	Hex. Head Screw	3/8"x1-1/4"L	1	
292S	192004AS	Adjustable Bracket		1	
293S	192021AS	Guide Pivot (Right)		1	
294S	192020AS	Bearing Shaft		1	

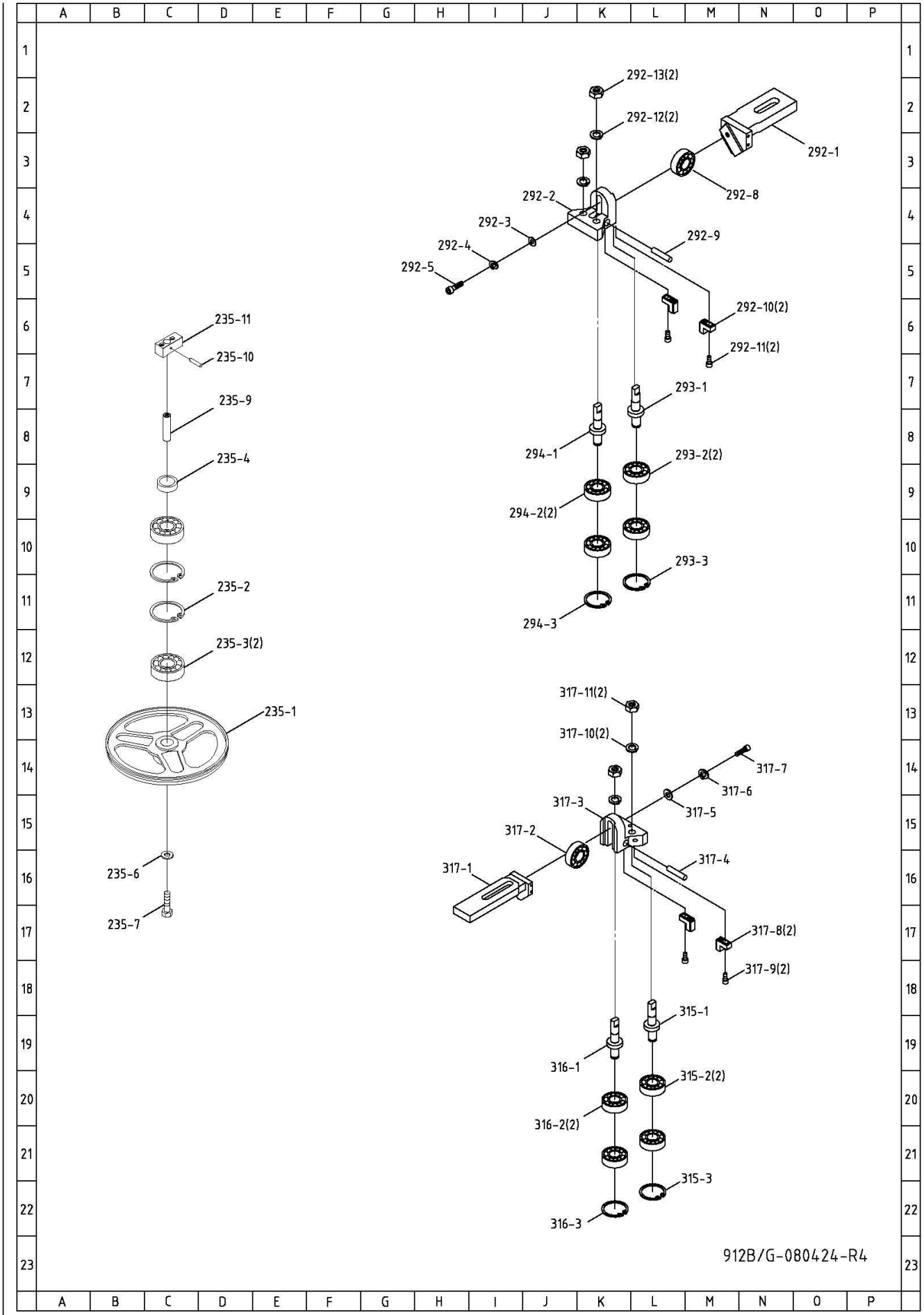
CODE	PART NO	DESCRIPTION	SPECIFICATION	QTY	NOTE
300		Motor		1	
300-1	HK110	Key	5x5x30L	1	
300-2	HS059	Hex. Head Screw	M10x25L	4	
300-3	HW106	Spring Washer	M10	4	
308S	181242BS	Brush Assembly		1	
310	S708	Cross Round Head Screw	3/16"x3/8"L	2	
315S	192021AS	Guide Pivot (Right)		1	
316S	192020AS	Bearing Shaft		1	
317S	192005S	Adjustable Bracket(Front) Set		1	
318	W008	Washer	3/8"x25xt2	1	
319	3066-3	Blade Adjustable Knob		1	
320	181231A	Blade Cover(Front)		1	
321	S711	Cross Round Head Screw	5/32"x1/4"L	2	
327	192002B	Blade Back Cover		1	
329	W005	Washer	1/4"x16xt1.5	4	
330	S701	Cross Round Head Screw	1/4"x1/2"L	4	
331	W005	Washer	1/4"x16xt1.5	2	
332	195083	Knob		2	
337	N016	Nut	1/2"	2	
338	W002	Washer	1/2"x28xt2	2	
340	181306	Bracket , For CE Only		1	For CE Only
341	S720	Cross Round Head Screw	M4x5L	2	For CE Only
342	181305	Switch Base		1	For CE Only
343	W023	Washer	M5	2	For CE Only
344	S721	Cross Round Head Screw	M5x10L	2	For CE Only
345	181991	Emergency Switch Bracket		1	For CE Only
345	181998	Control Base		1	Option
348	S727	Cross Round Head Screw	M6x12L	4	CE / Option
351	S407	Hex. Socket Head Screw	3/16"x3/8"L	2	CE / Option
364	3027-1	Knob		1	
365	193057	Knob		1	
366	S612	Hex. Socker Headless Screw	5/16"-18X1/2"L	1	
367	193055	Pressure Lump		1	
368	HW007	Washer	M12xt2	1	
369	S013	Hex. Head Screw	3/8"x1-1/4"L	2	
370	W013	Washer	3/8"x20xt2	2	
372	193056	Pressure Shaft		1	
373	193059	Knob W/Shaft		1	
374	290086	Plastic Round Knob		1	
375	CA51101	Bearing		1	
376	HW007	Washer	M12	1	
377	193058	Spring		1	
500		Power Cable		1	
501		Pump-Cable		1	



CODE	PART NO	DESCRIPTION	SPECIFICATION	QTY	NOTE
502		Limit-Cable		1	
503		Moter-Cable		1	
800S	192321G4S	Oil Seal		1	
800-1	192321G4	Gear Box		1	
800-2	192322G4	Gear Box Cover		1	
800-3	192324	Speed-Changing Gear Shaft		1	
800-4	2450079	Speed Lever		1	
800-5	192348	Spring		1	
800-6	HB001	Steel Ball	φ8	1	
800-7	192327A	Speed Indicator Dial		1	
800-8	HS244	Hex. Socket Head Screw	M5x28L	1	
800-9	192325	Worm Shaft		1	
800-10	192309	Speed-Changing Rod		1	
800-11	2450083A	Speed-Changing Key		1	
800-12	2450084B	Twisted Spring		1	
800-13	HP006	Pin	φ3x10L	2	
800-14	192329	Gear		1	
800-15	192330	Gear		1	
800-16	192331	Gear		1	
800-17	2450074A	Washer		4	
800-18	2450089A	Bushing Bracket		1	
800-19	HCR04	C-Retainer Ring	R35	2	
800-20	HS421	Hex. Socket Headless Screw	M6x6L	2	
800-21	CA6003LLB	Bearing	6003LLB	2	
800-22	192328	Cover		1	
800-23	192332	Gear Shaft		1	
800-24	192333	Gear		1	
800-25	192334	Gear		1	
800-26	192335	Gear		1	
800-27	HK095	Key	5x5x32L	1	
800-28	HCS06	C-Retainer Ring	S17	2	
800-29	CA6003LLB	Bearing	6003LLB	1	
800-30	CA6007LLB	Bearing	6007LLB	1	
800-31	HCR08	C-Retainer Ring	R62	1	
800-33	HG004	Oil Seal	φ62xφ35x8	1	
800-37	192336	Drive Gear Shaft		1	
800-38	192337	Worm Gear		1	
800-39	HCS13	C-Retainer Ring	S25	2	
800-40	HK025	Key	6x6x20L	2	
800-41	CA6205LLB	Bearing	60205LLB	2	
800-42	192340	Bearing Spacer		1	
800-43	192339	Cover		1	
800-44	HO041	O-Retainer Ring	φ35Xφ29x3	2	
800-45	HT017	Cross Round Head Screw	M5X12L	3	

CODE	PART NO	DESCRIPTION	SPECIFICATION	QTY	NOTE
800-46	HD106	Plug	PT3/8"	1	
800-47	HS230	Hex. Socket Head Screw	M6x20L	4	
800-48	3149	Vent Plug		1	
800-49	AA10	Scale		1	
800-50	HH001	Rivet	φ2X4	2	
800-51	181246	Bearing Cover		1	
800-52	HS519	Cross Round Head Screw	M5x10L	3	
800-53	192338B	Gear Box Gasket		1	
800-54	HD103	Plug	PT1/4"	1	
800-55	HB203	Oil level gage	φ19	1	
800-56	HO046	O-Retainer Ring	P16	1	
800-57	HCR24	C-Retainer Ring	R20	1	





**PART LIST II**

<b>CODE</b>	<b>PART NO</b>	<b>DESCRIPTION</b>	<b>SPECIFICATION</b>	<b>QTY</b>	<b>NOTE</b>
235-1	192016A	Idler Wheel		1	
235-2	HCR06	C-Retainer Ring	R52	2	
235-3	CA6205LLU	Bearing	6205LLU	2	
235-4	181245	Bushing		1	
235-6	W018	Washer	5/16"x20xt3	1	
235-7	S022	Hex. Head Screw	5/16"x3/4"L	1	
235-9	193050	Blade Wheel Shaft		1	
235-10	P005	Pin	φ5x34L	1	
235-11	193052	Sliding Plate Draw Block		1	
292-1	192004A	Adjustable Bracket		1	
292-2	192006A	Blade Adjustable		1	
292-3	W017	Washer	5/16"x18xt1.5	1	
292-4	W205	Spring Washer	5/16"	1	
292-5	S416	Hex. Socket Head Screw	5/16"x1-1/4"L	1	
292-8	CA608ZZ	Bearing	608ZZ	1	
292-9	3063A	Bearing Pin		1	
292-10	103120A	Carbide Guide		2	
292-11	HS229	Hex. Socket Head Screw	M6x16L	2	
292-12	W208	Spring Washer	3/8"	2	
292-13	N006	Hex. Nut	3/8"UNF	2	
293-1	192021A	Guide Pivot (Right)		1	
293-2	CA608ZZ	Bearing	608ZZ	2	
293-3	HCS26	C-Retainer Ring	S8	1	
294-1	192020A	Bearing Shaft		1	
294-2	CA608ZZ	Bearing	608ZZ	2	
294-3	HCS26	C-Retainer Ring	S8	1	
315-1	192021A	Guide Pivot (Right)		1	
315-2	CA608ZZ	Bearing	608ZZ	2	
315-3	HCS26	C-Retainer Ring	S8	1	
316-1	192020A	Bearing Shaft		1	
316-2	CA608ZZ	Bearing	608ZZ	2	
316-3	HCS26	C-Retainer Ring	S8	1	
317-1	192005	Adjustable Bracket(Front)		1	
317-2	CA608ZZ	Bearing	608ZZ	1	
317-3	192007B	Blade Adjustable (Rear)		1	
317-4	3063A	Bearing Pin		1	
317-5	W017	Washer	5/16"x18xt1.5	1	
317-6	W205	Spring Washer	5/16"	1	
317-7	S416	Hex. Socket Head Screw	5/16"x1-1/4"L	1	
317-8	103120A	Carbide Guide		2	
317-9	HS229	Hex. Socket Head Screw	M6x16L	2	
317-10	W208	Spring Washer	3/8"	2	
317-11	N006	Hex. Nut	3/8"UNF	2	
750S1	ET1615S	Limit Switch Assembly		1	Option

CODE	PART NO	DESCRIPTION	SPECIFICATION	QTY	NOTE
750-1	S708	Cross Round Head Screw	3/16"x3/8"L	2	Option
750-2	ET1931	Switch COVER		1	Option
750-3	181431	Rubber Plate		1	Option
750-4	ET1615	Switch	MJ1308R	1	Option
750-5	HN002	Hex. Nut	M4	2	Option
750-6	HW305	Star Washer	M4	4	Option
750-7	HS513	Cross Round Head Screw	M4x30L	2	Option
750-8	ET2101	Limit Switch Cover	CB2	1	Option
750-9	HS511	Cross Round Head Screw	M4x20L	2	Option
750S2	ET1403S	Toggle Switch Assembly		1	
750-1	181932	Toggel Switch Cover		1	
750-2	3131B	Switch Cover		1	
750-3	ET1403	Toggle Switch Assembly	1φ	1	
750-3	181933	Toggle Switch	3φ	1	
750-4	S805	Screw	3/16"x3/8"L	2	
750-5	ET1931	Cover		1	
750-6	181431	Rubber Plate		1	
750-7	ET1930	Electrical Box		1	
750-8	S807	Screw	5/32"x1/8"L	2	
750-9	ET2108	Wire Nipple	5/8"	2	
750-10	ET2107	Wire Nipple	1/2"	2	
750S3	ET1617S	Switch		1	For CE Only
750-1	S708	Cross Round Head Screw	3/16"x3/8"L	2	For CE Only
750-2	181989-1	Switch Bracket		1	For CE Only
750-3	ET1617	Switch		1	For CE Only
750-4	S708	Cross Round Head Screw	3/16"x3/8"L	2	For CE Only
750S4	ET1401S	Toggle Switch Assembly		1	Option
750-1	181932	Toggel Switch Cover		1	Option
750-2	3131B	Switch Cover		1	Option
750-3	S805	Screw	3/16"x3/8"L	2	Option
750-4	ET1931	Cover		1	Option
750-5	ET1401	Toggle Switch Assembly	1φ	1	Option
750-5	181933	Toggle Switch Assembly	3φ	1	Option
750-6	ET1930	Electrical Box		1	Option
750-7	S807	Screw	5/32"x1/8"L	2	Option
750-8	ET2107	Wire Nipple	1/2"	1	Option
750S5	ET1403AS	Toggle Switch Assembly		1	
750-1	181932	Toggel Switch Cover		1	
750-2	3131B	Switch Cover		1	
750-3	ET1403	Toggle Switch Assembly	1φ	1	
750-3	181933	Toggle Switch	3φ	1	
750-4	S805	Screw	3/16"x3/8"L	2	
750-5	ET1931	Cover		1	
750-6	181431	Rubber Plate		1	
750-7	ET1930	Electrical Box		1	

CODE	PART NO	DESCRIPTION	SPECIFICATION	QTY	NOTE
750-8	S807	Screw	5/32"x1/8"L	2	
750-9	ET2108	Wire Nipple	5/8"	2	
750-10	ET2107	Wire Nipple	1/2"	2	
750-11	181431C	Cover		1	
750S4	ET1401S	Toggle Switch Assembly		1	Option
750-1	181932	Toggel Switch Cover		1	Option
750-2	3131B	Switch Cover		1	Option
750-3	S805	Screw	3/16"x3/8"L	2	Option
750-4	ET1931	Cover		1	Option
750-5	ET1401	Toggle Switch Assembly	1 $\phi$	1	Option
750-5	181933	Toggle Switch Assembly	3 $\phi$	1	Option
750-6	ET1930	Electrical Box		1	Option
750-7	S807	Screw	5/32"x1/8"L	2	Option
750-8	ET2107	Wire Nipple	1/2"	1	Option
750-9	181431C	Cover		1	Option