

JET

JBTS-10

Table saw

708315...220/50/1

Parts list

WMH Tool Group AG

Bahnstrasse 24, CH – 8603
Schwerzenbach

www.wmhtoolgroup.ch

info@wmhtoolgroup.ch

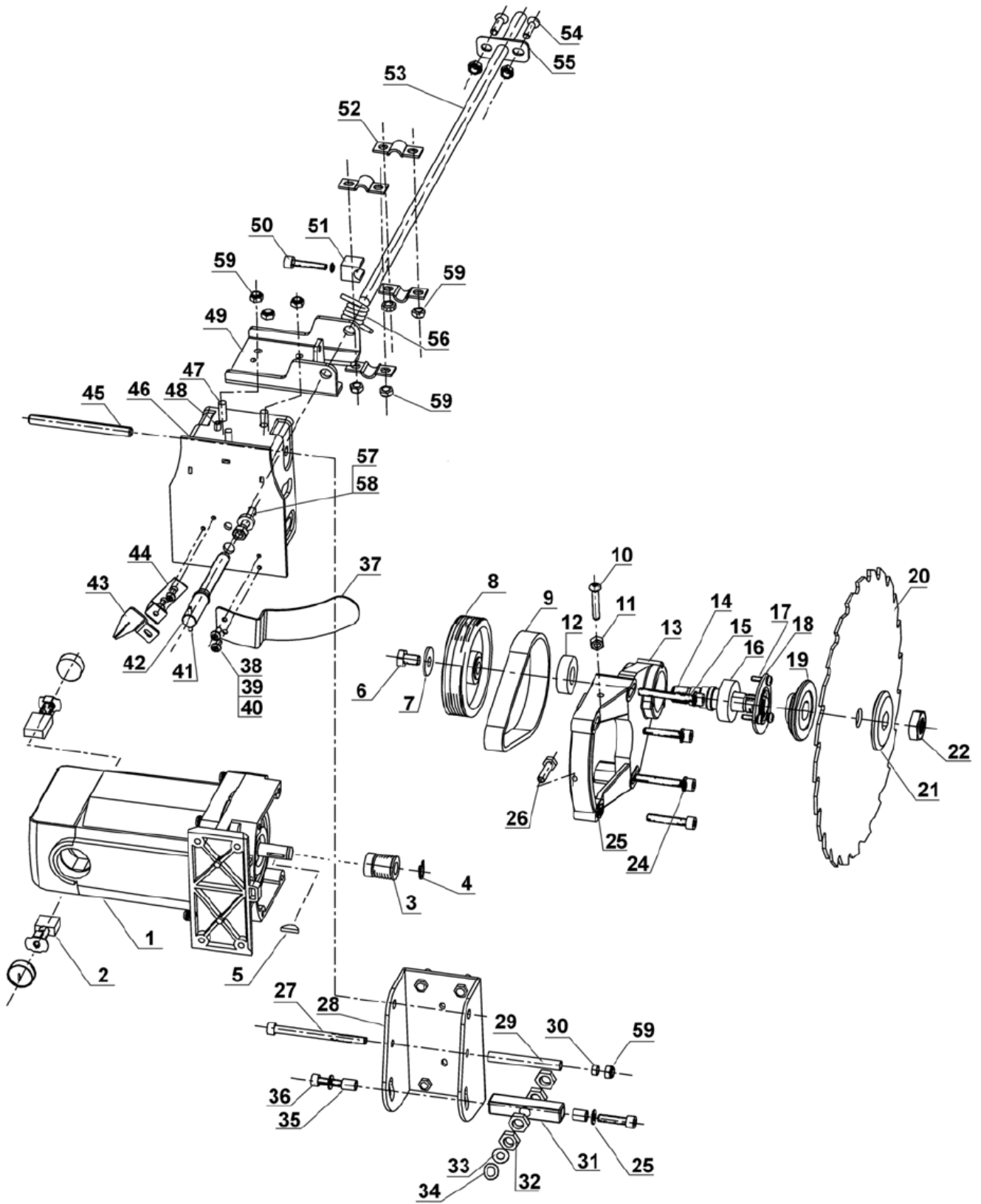
Tel +41 (0)44 806 47 48

Fax +41 (0) 44 806 47 58

P-708315...05/05



Motor/Trunnion -- Assembly

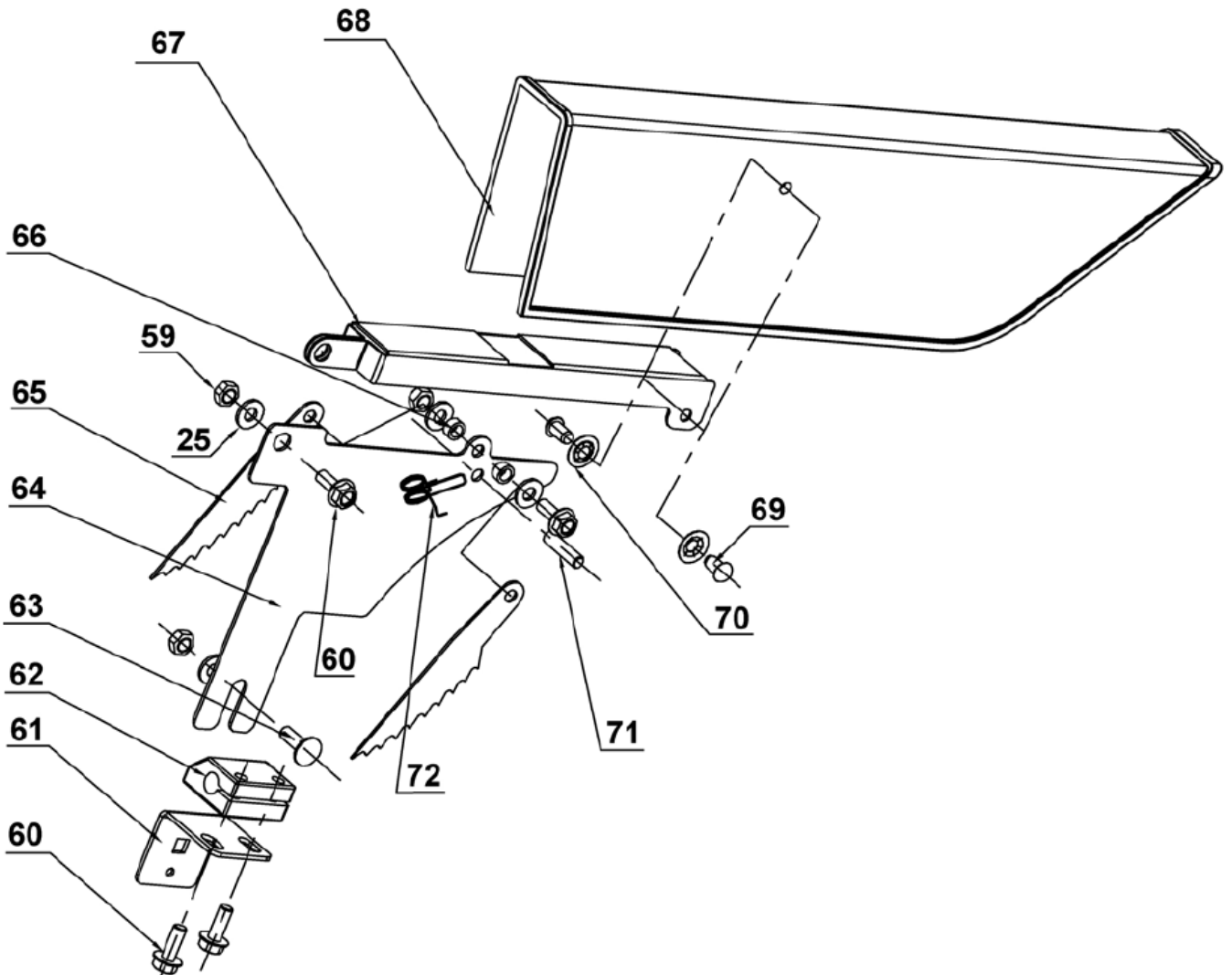


Parts Motor/Trunnion – Parts List

No.	Part No.	Description	Size	Qty
1	708315-1	Motor		1
2	708315-2	Brush Assembly		2
3	708315-3	Motor Sheave		1
4	708315-4	Retaining Ring		1
5	708315-5	Key	3x6.5x16	1
6	TS-1490011	Hex Cap Screw	M8x12	1
7	TS-1550061	Flat Washer	M8	1
8	708315-8	Arbor Sheave		1
9	708315-9	Belt		1
10	TS-2286252	Pan Head Screw	M6x25	1
11	TS-1540041	Hex Nut	M6	7
12	BB-6002Z	Bearing	6002Z	1
13	708315-13	Arbor Support		1
14	708315-14	Arbor Shaft		1
15	TS-1503111	Socket Head Cap Screw	M6x50	2
16	BB-6003Z	Bearing	6003Z	1
17	TS-1532042	Pan Head Screw	M4x12	3
18	708315-18	Cover Plate		1
19	708315-19	Arbor Flange		1
20	708315-20	Saw Blade	10"x36T	1
21	708315-21	Arbor Collar		1
22	708315-22	Arbor Nut		1
23	TS-1503081	Socket Head Cap Screw	M6x35	2
24	TS-1551041	Lock Washer	M6	4
25	TS-1550041	Flat Washer	M6	4
26	TS-1482051	Hex Cap Screw	M6x25	1
27	TS-2236801	Socket Head Cap Screw	M6x80	1
28	708315-28	Motor Bracket		1
29	708315-29	Spacer		1
30	708315-30	Spacer		1
31	708315-31	Shaft Support		1
32	708315-32	Nut	M10	4
33	TS-1550071	Flat Washer	M10	1
34	708315-34	Special Washer		1
35	708315-35	Spacer		2
36	TS-1503061	Socket Head Cap Screw	M6x25	2
37	708315-37	Bracket		1
38	TS-2284082	Pan Head Screw	M4x8	2
39	TS-1550021	Flat Washer	M4	2
40	TS-1551021	Lock Washer	M4	2
41	708315-41	Roll Pin	M3x18	1
42	708315-42	Raising Shaft		1
43	708315-43	Pointer		1
44	708315-44	Bracket		1
45	708315-45	Roll Pin	M8x90	1
46	708315-46	Trunnion Bracket		1
47	TS-1503051	Socket Head Cap Screw	M6x20	3
48	708315-48	Pin M3x10		1
49	708315-49	Bracket		1
50	TS-2285302	Pan Head Screw	M5x30	1
51	708315-51	Rod Support		1
52	708315-52	Hold Down Strap		4
53	708315-53	Angle Rod		1
54	TS-2286251	Flat Head Screw	M6x25	2
55	708315-55	Rod Support Plate		1
56	708315-56	Spring		1
57	708315-57	Carriage Bolt	M6x32	1
58	708315-58	Spacer		1
59	TS-1541021	Nylon Insert LockNut	M6	

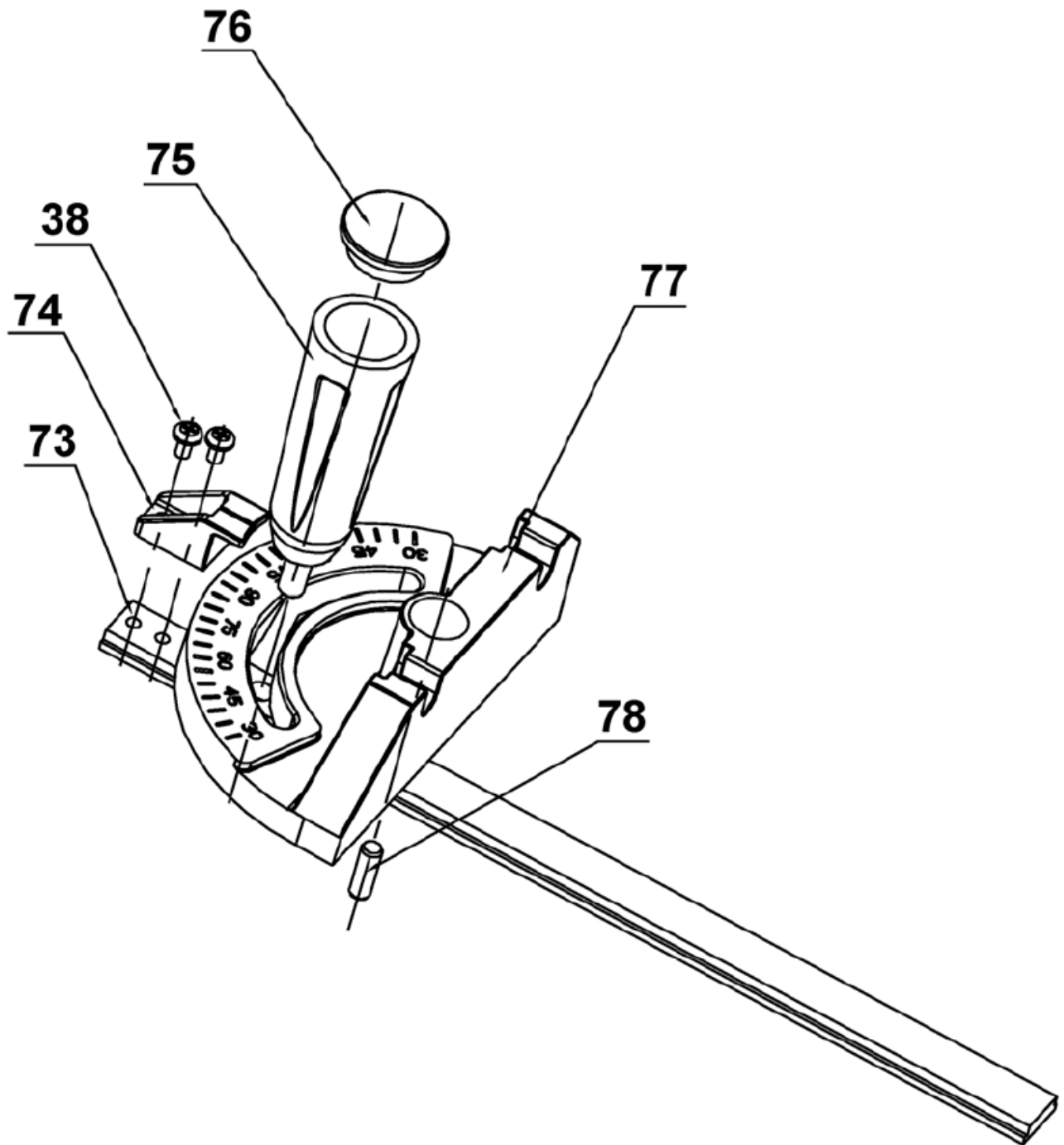
Blade Guard Assembly

No.	Part No.	Description	Size	Qty
.....	708315-BGA.....	Blade Guard Assembly (Complete).....		
25	TS-1550041	Flat Washer.....	M6.....	4
59	TS-1541021	Nylon Insert Lock Nut.....	M6.....	3
60	TS-1482041	Hex Cap Screw.....	M6x20.....	4
61	708315-61	Splitter Bracket.....		1
62	708315-62	Support.....		1
63	708315-63	Carriage Bolt.....	M6x12.....	1
64	708315-64	Splitter.....		1
65	708315-65	Anti-Kickback Pawl.....		2
66	708315-66	Spacer.....		2
67	708315-67	Guard Support.....		1
68	708315-68	Guard.....		1
69	708315-69	Rivet.....		2
70	708315-70	Retaining Washer.....		2
71	708315-71	Pin.....	M3x22.....	1
72	708315-72	Spring.....		1



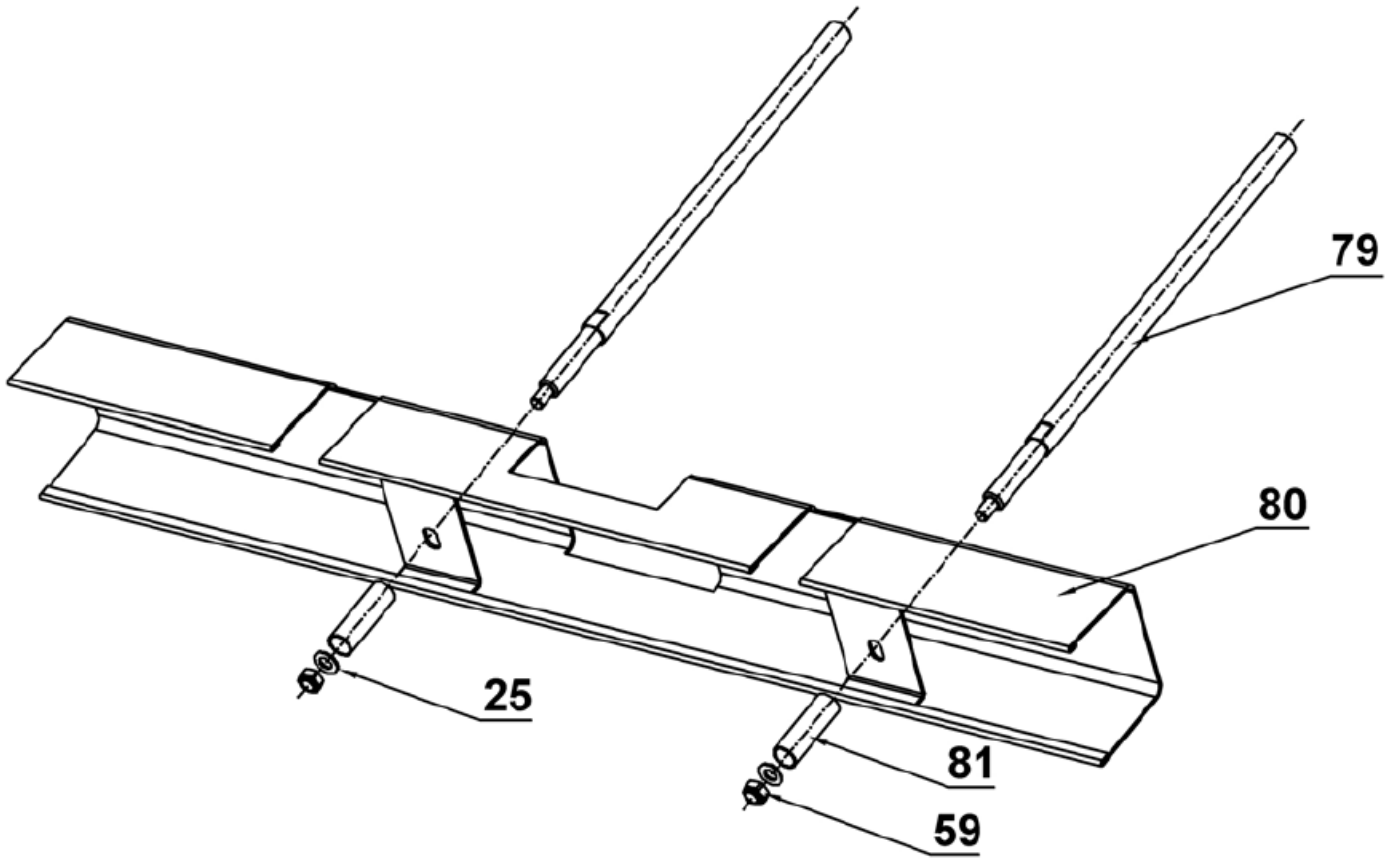
Miter Gauge Assembly

No.	Part No.	Description	Size	Qty
.....	708315-MGA	Miter Gauge Assembly (Complete)
38	TS-2284082	Pan Head Screw	M4x8	2
73	708315-73	Bar	1
74	708315-74	Pointer	1
75	708315-75	Handle	1
76	708315-76	Handle Cap	1
77	708315-77	Miter Gauge Body	1
78	708315-78	Pin	M6x15	1



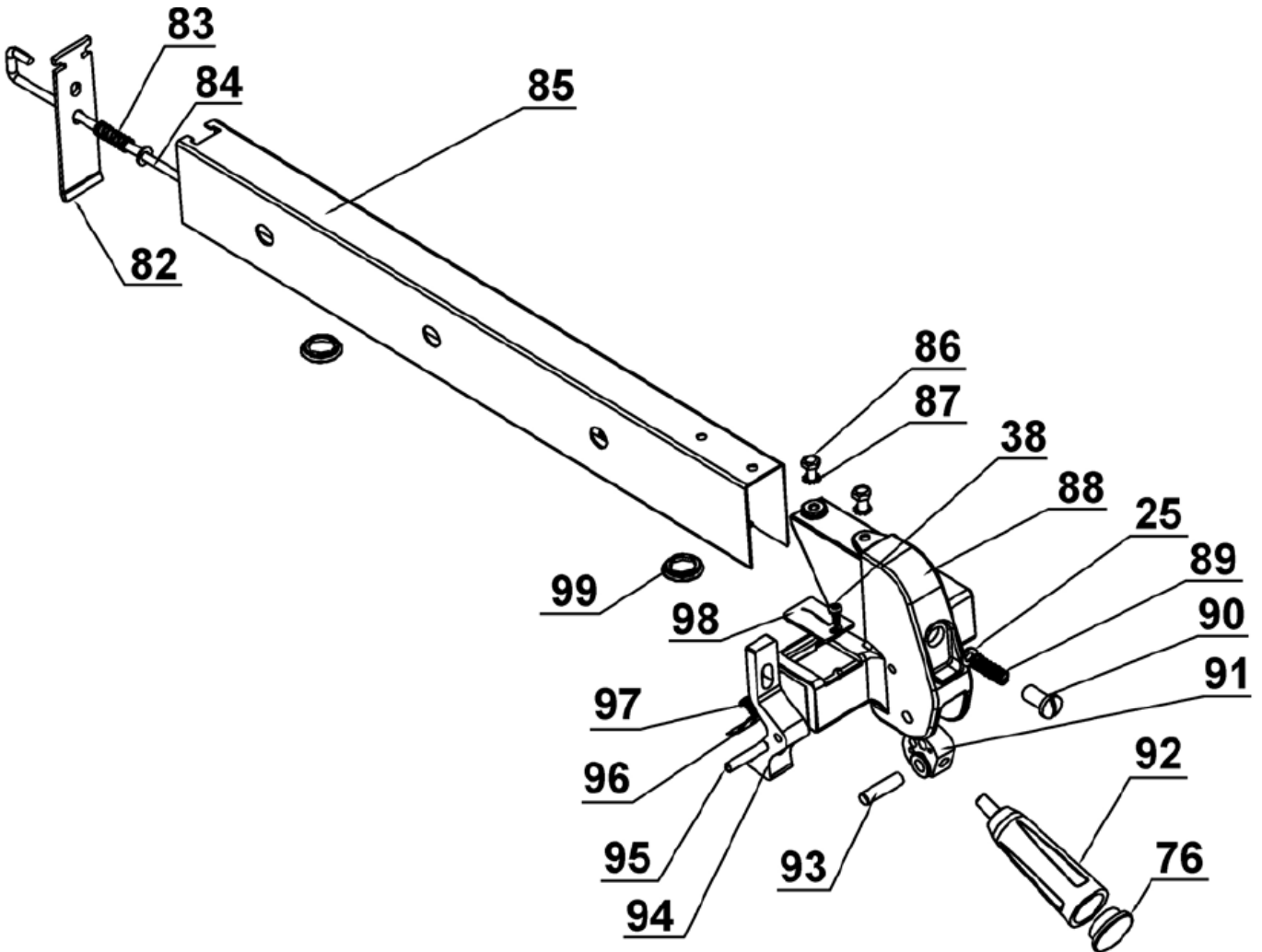
Rear Support Assembly

No.	Part No.	Description	Size	Qty
.....	708315-RSA	Rear Support Assembly (Complete)
25	TS-1550041	Flat Washer	M6	2
59	TS-1541021	Nylon Insert Lock Nut	M6	2
79	708315-79	Rod	2
80	708315-80	Rear Support	1
81	708315-81	Spacer	2



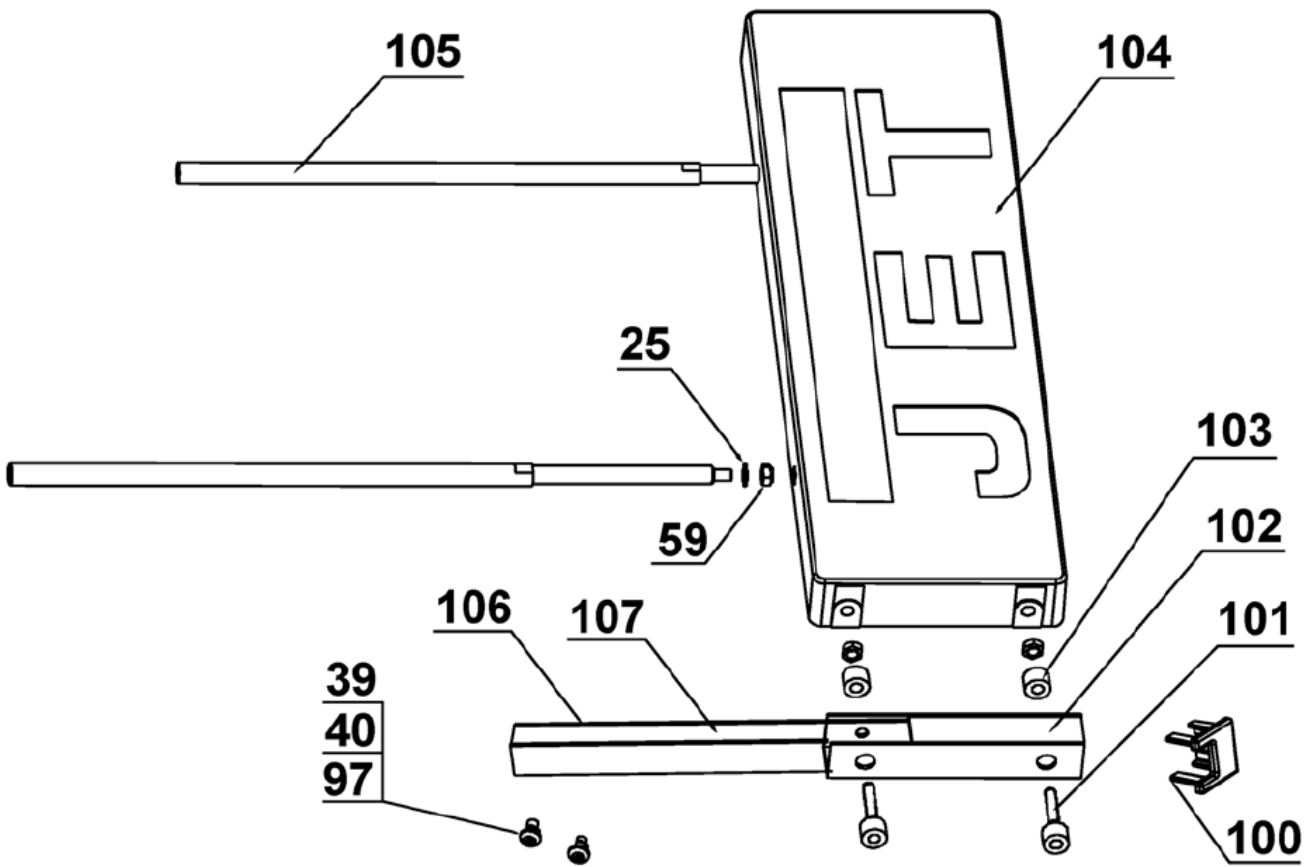
Rip Fence Assembly

No.	Part No.	Description	Size	Qty
.....	708315-RFA	Rip Fence Assembly (Complete)	
25	TS-1550041	Flat Washer	M6	2
38	TS-2284082	Pan Head Screw	M4x8	1
76	708315-76	Handle Cap		1
82	708315-82	Rear Clamp		1
83	708315-83	Spring		1
84	708315-84	Rod		1
85	708315-85	Fence Body		1
86	TS-1482011	Hex Cap Screw	M6x10	2
87	708315-87	External Tooth Lock Washer	M6	2
88	708315-88	Front Block		1
89	708315-89	Spring		1
90	708315-90	Adjustment Screw		1
91	708315-91	Cam Lock		1
92	708315-92	Handle		1
93	708315-93	Pin		1
94	708315-94	Front Clamp		1
95	708315-95	Pin		1
96	708315-96	Leaf Spring		1
97	TS-1532032	Pan Head Screw	M4x10	1
98	708315-98	Cursor		1
99	708315-99	Support		2



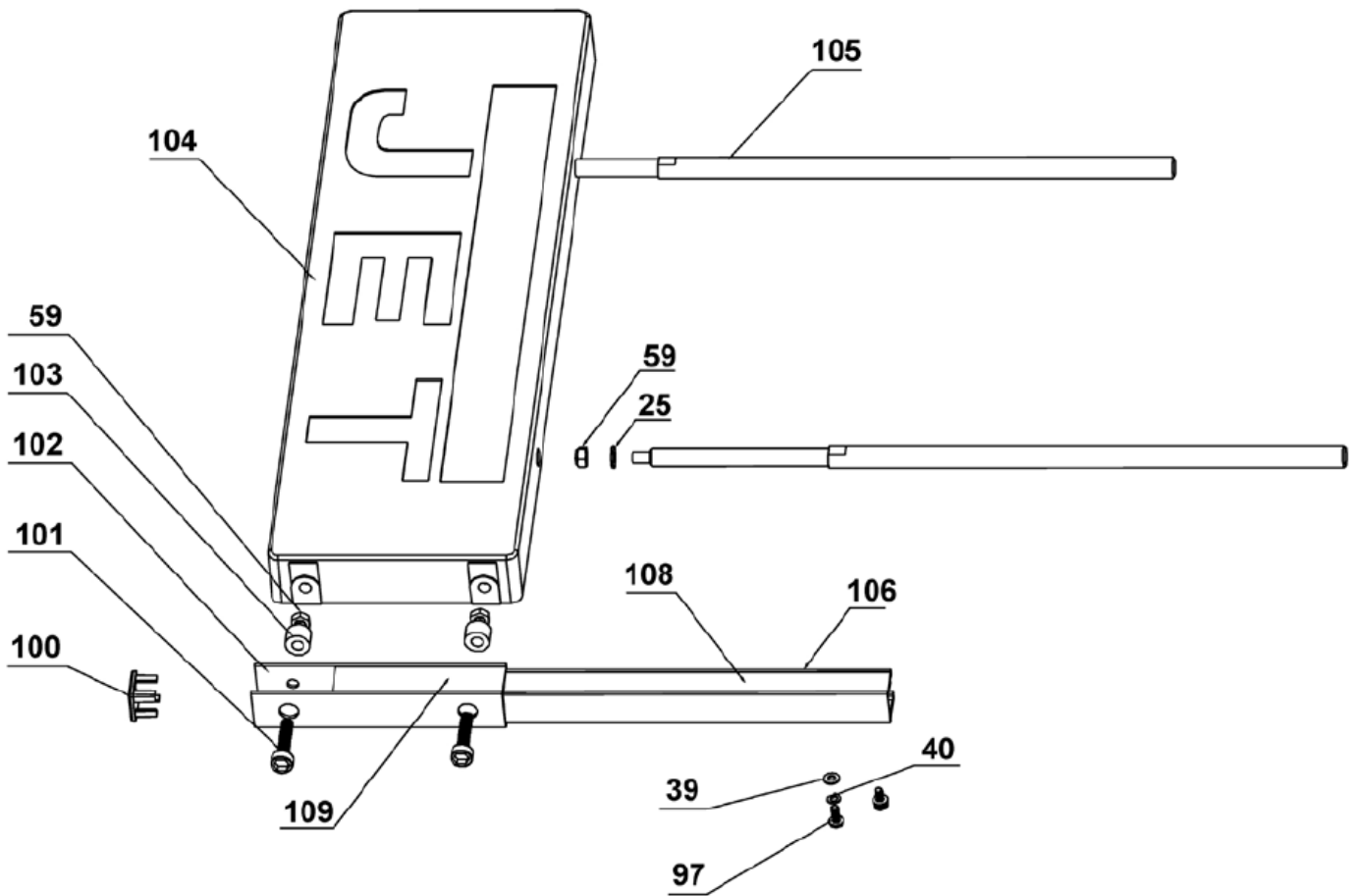
Right Extension Assembly

No.	Part No.	Description	Size	Qty
.....	708315-REA	Right Extension Assembly (Complete)
25	TS-1550041	Flat Washer	M6	2
39	TS-1550021	Flat Washer	M4	2
40	TS-1551021	Lock Washer	M4	2
59	TS-1541021	Nylon Insert Lock Nut	M6	4
97	TS-1532032	Pan Head Screw	M4x10	2
100	708315-100	Rail End Cap	1
101	TS-1503071	Socket Head Cap Screw	M6x30	2
102	708315-102	Front Rail	1
103	708315-103	Spacer	2
104	708315-104	Extension Table	1
105	708315-105	Extension Rod	2
106	708315-106	Guide Rail	1
107	708315-107	Scale	1

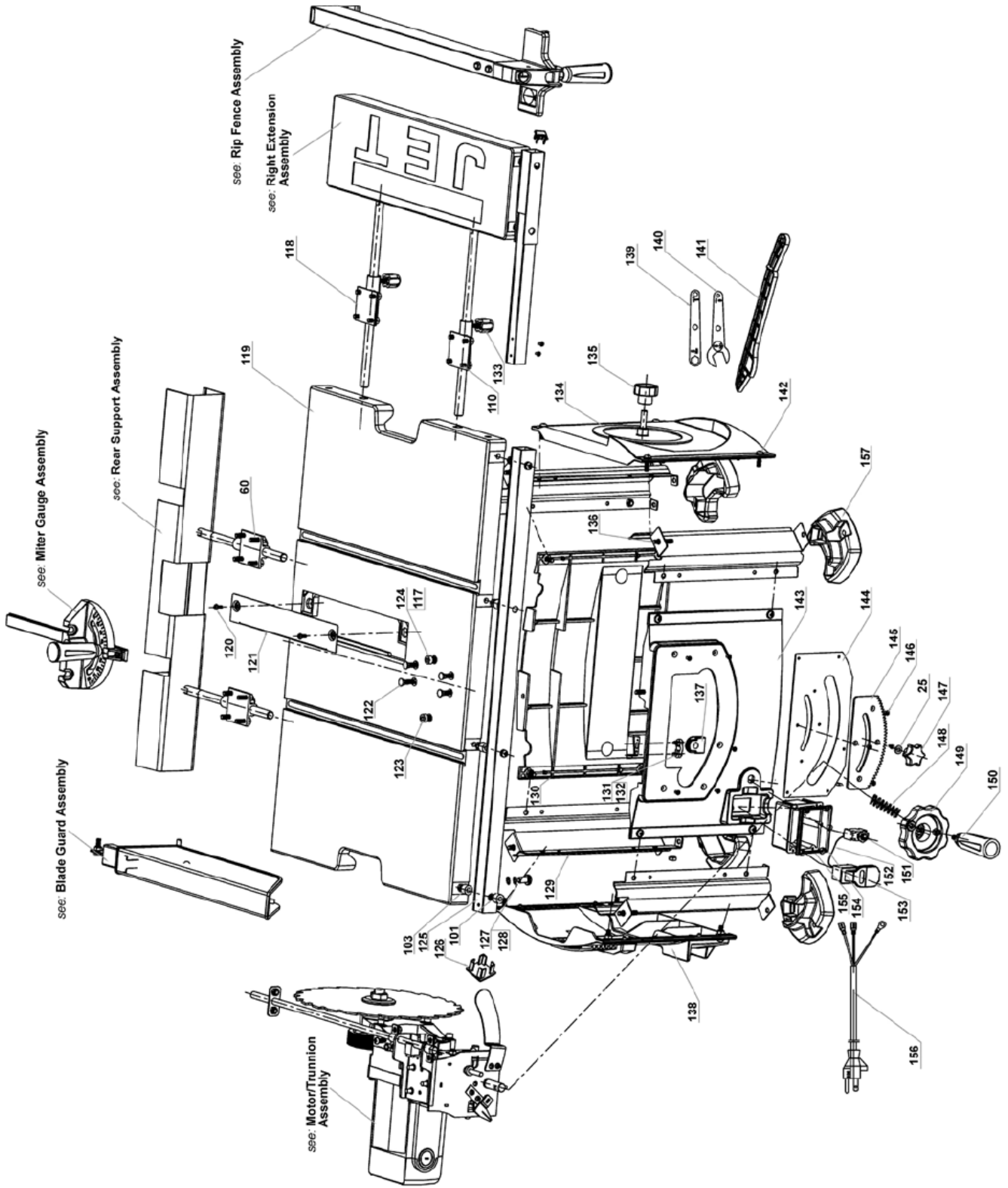


Left Extension Assembly

No.	Part No.	Description	Size	Qty
.....	708315-LEA	Left Extension Assembly (Complete)
25	TS-1550041	Flat Washer	M6	2
39	TS-1550021	Flat Washer	M4	2
40	TS-1551021	Lock Washer	M4	2
59	TS-1541021	Nylon Insert Lock Nut	M6	4
97	TS-1532032	Pan Head Screw	M4x10	2
100	708315-100	Rail End Cap	1
101	TS-1503071	Socket Head Cap Screw	M6x30	2
102	708315-102	Front Rail	1
103	708315-103	Spacer	2
104	708315-104	Extension Table	1
105	708315-105	Extension Rod	2
106	708315-106	Guide Rail	1
108	708315-108	Scale	1
109	708315-109	Scale	1



Main Saw – Assembly

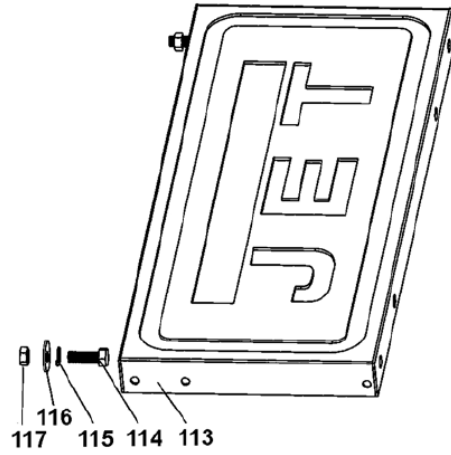
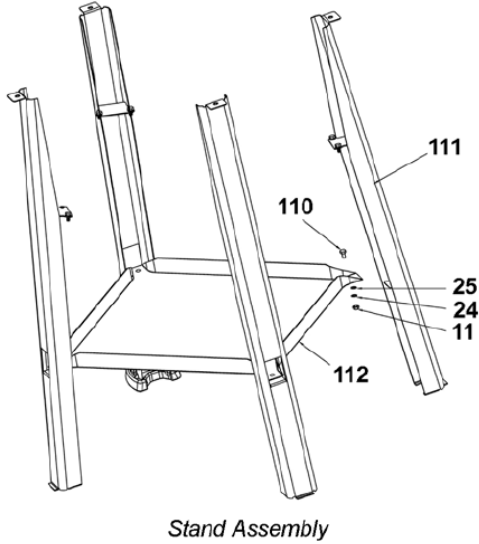


Main Saw – Parts

No.	Part No.	Description	Size	Qty
11	TS-1540041	Hex Nut	M6	1
24	TS-1551041	Lock Washer	M6	4
25	TS-1550041	Flat Washer	M6	34
59	TS-1541021	Nylon Insert Lock Nut	M6	16
60	TS-1482041	Hex Cap Screw	M6x20	8
101	TS-1503071	Socket Head Cap Screw	M6x30	4
103	708315-103	Spacer		4
110	TS-1482021	Hex Cap Screw	M6x12	16
117	TS-1540061	Hex Nut	M8	2
118	708315-118	Extension Bracket		6
119	708315-119	Main Table		1
120	TS-1533032	Pan Head Screw	M5x10	2
121	708315-121	Table Insert		1
122	708315-122	Special Table Screw		4
123	TS-1504041	Socket Head Cap Screw	M8x20	1
124	TS-1504121	Socket Head Cap Screw	M8x60	1
125	708315-125	Front Rail		1
126	708315-126	Rail Cap		2
127	708315-127	Brass Screw (Grounding)	M5x8	1
128	708315-128	External Tooth Lock Washer	M5	1
129	708315-129	Leg		4
130	708315-130	Rear Panel		1
131	708315-131	Self-Tapping Screw	M4x14	7
132	708315-132	Strain Relief		1
133	708315-133	Lock Knob		6
134	708315-134	Right Side Panel		1
135	708315-135	Lock Knob		1
136	708315-136	Threaded Stud		4
137	708315-137	Grommet		1
138	708315-138	Left Side Panel		1
139	708315-139	Arbor Nut Wrench		1
140	708315-140	Open End Wrench		1
141	708818	Push Stick		1
142	TS-2286202	Pan Head Screw	M6x20	16
143	708315-143	Front Panel		1
144	708315-144	Front Plate		1
145	708315-145	Bevel Rack		1
146	TS-2284081	Flat Head Screw	M4x8	9
147	708315-147	Lock Knob		1
148	708315-148	Spring		1
149	708315-149	Hand Wheel		1
150	708315-150	Handle		1
151	708315-151	Circuit Breaker (Overload) Switch		1
152	708315-152	Wire		1
153	708315-153	On/Off Switch		1
154	708315-154	Rubber Gasket		1
155	708315-155	Switch Box		1
156	708315-156	Power Cord		1
157	708315-157	Rubber Foot		4

Stand Assembly

No.	Part No.	Description	Size	Qty
.....	708315-SA.....	Stand Assembly (Complete).....		
11.....	TS-1540041.....	Hex Nut.....	M6.....	12
24.....	TS-1551041.....	Lock Washer.....	M6.....	12
25.....	TS-1550041.....	Flat Washer.....	M6.....	12
110.....	TS-1482021.....	Hex Cap Screw.....	M6x12.....	12
111.....	708315-111.....	Leg.....		4
112.....	708315-112.....	Shelf.....		1



Steel Wing Assembly

No.	Part No.	Description	Size	Qty
.....	708315-SSEWA	Stamped Steel Extension Wing Assembly (Complete)		
113.....	708315-113.....	Stamped Steel Extension Wing.....		1
114.....	TS-1490041.....	Hex Cap Screw.....	M8x25.....	2
115.....	TS-2361081.....	Lock Washer.....	M8.....	2
116.....	TS-1550061.....	Flat Washer.....	M8.....	2
117.....	TS-1540061.....	Hex Nut.....	M8.....	2