

# **JET**

**JCS-14**

**CHOP SAW**

**10000828M/U  
230/50-60/1**

**PARTS LIST  
ERSATZTEILLISTE  
LISTE DE PIECES**

**WMH Tool Group AG**

Bahnstrasse 24, CH – 8603 Schwerzenbach

[www.wmhtoolgroup.ch](http://www.wmhtoolgroup.ch); [info@wmhtoolgroup.ch](mailto:info@wmhtoolgroup.ch)

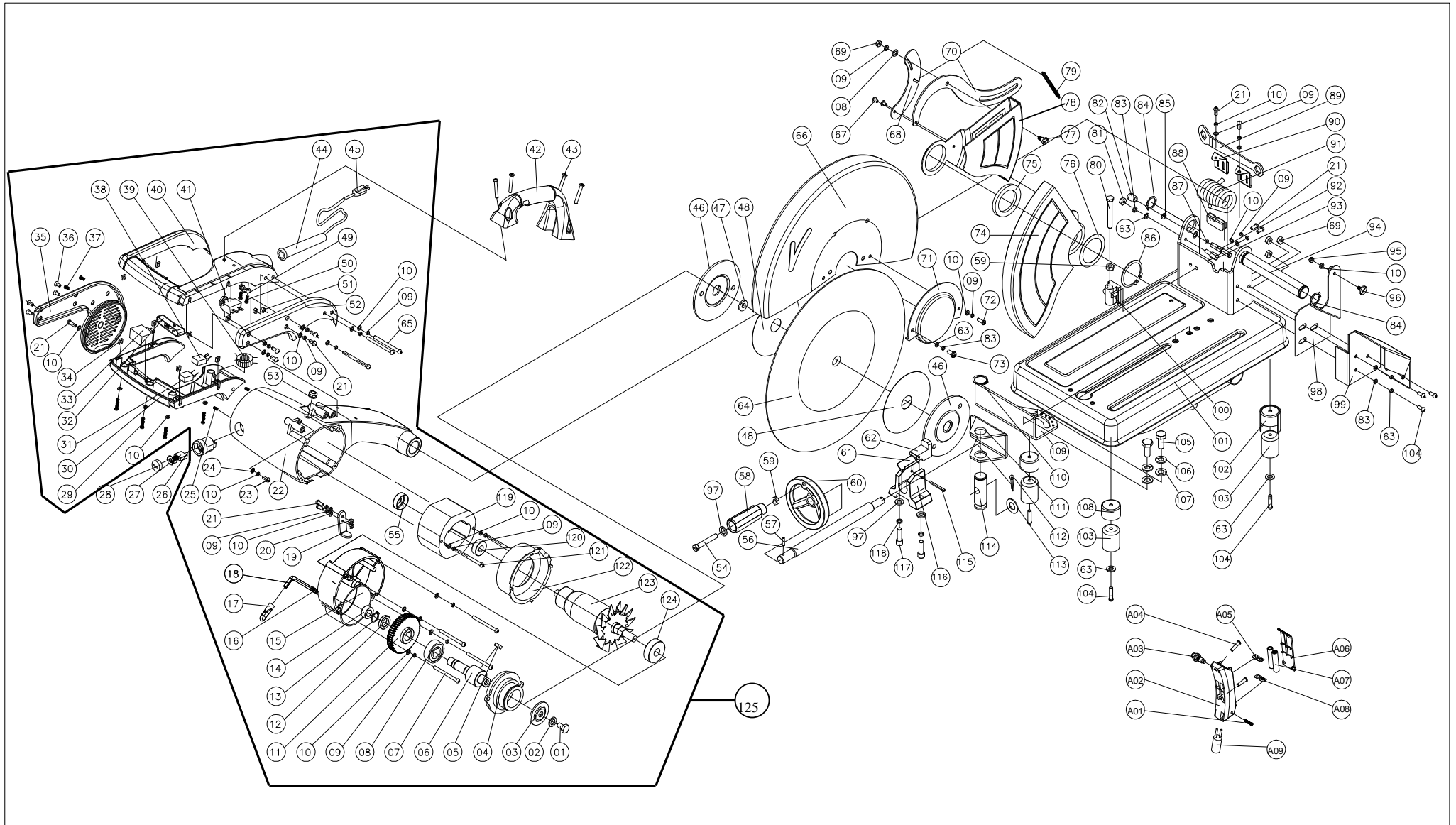
Tel +41 (0) 44 806 47 48

Fax +41 (0) 44 806 47 58



P-10000828M/U 02/05

# Parts Breakdown For JCS-14 Chop Saw



## Parts List For JCS-14 Chop Saw

Index No.	Part No.	Description	Size	Qty.
1	JCS14-001	Hex bolt	M10×25	1
2	JCS14-002	Washer	10	1
3	JCS14-003	Cover plate	45	1
4	JCS14-004	Gear box cover		1
5	JCS14-005	Flat key	5×16	1
6	JCS14-006	Spindle		1
7	JCS14-007	Screw	M5×60	4
8	JCS14-008	Bearing		1
9	JCS14-009	Spring washer	5	25
10	JCS14-010	Washer	5	27
11	JCS14-011	Gear		1
12	JCS14-012	Adjustable washer	45	1
13	JCS14-013	Retainer	16	1
14	JCS14-014	Bearing		1
15	JCS14-015	Gear box		1
16	JCS14-016	Spring		1
17	JCS14-017	Shaft lock button		1
18	JCS14-018	Shaft lock		1
19	JCS14-019	Positioned plate		1
20	JCS14-020	Nut	M5	2
21	JCS14-021	Screw	M5×12	15
22	JCS14-022	Motor housing		1
23	JCS14-023	Screw	M5×8	1
24	JCS14-024	Washer	5	1
25	JCS14-025	Screw	M5×6	2
26	JCS14-026	Brush holder		2
27	JCS14-027	Carbon brush		2
28	JCS14-028	Brush holder cap		2
29	JCS14-029	Tapping screw	ST4.2×16	4
30	JCS14-030	Low handle cover		1
31	JCS14-031	Capacitor		1
32	JCS14-032	Switch button		1
33	JCS14-033	Switch		1
34	JCS14-034	Square Nut	M5	8
35	JCS14-035	Back cover		1
36	JCS14-036	Screw	M5×10	4
37	JCS14-037	Tapping screw	ST4.2×8	2
38	JCS14-038	Capacitor		1
39	JCS14-039	Inductor		1
40	JCS14-040	Upper handle cover		1
41	JCS14-041	Over-current protection device		1
42	JCS14-042	Carrying handle		1
43	JCS14-043	Screw	M5×35	4
44	JCS14-044	Cord sleeve		1
45	JCS14-045	Power supply cord		1
46	JCS14-046	Flange	45	2
47	JCS14-047	Sleeve	45	1
48	JCS14-048	Paper sheet		2
49	JCS14-049	Cord clamp		1
50	JCS14-050	Tapping screw	ST4.2×12	2
51	JCS14-051	Nut	M5	3
52	JCS14-052	Front cover		1
53	JCS14-053	Ring		1
54	JCS14-054	Screw	M8×50	1
55	JCS14-055	Shock absorption ring		1

## Parts List For JCS-14 Chop Saw

Index No.	Part No.	Description	Size	Qty.
56	JCS14-056	Threaded rod	45	1
57	JCS14-057	Pin	4×20	1
58	JCS14-058	Handle		1
59	JCS14-059	Nut	M8	2
60	JCS14-060	Crank wheel		1
61	JCS14-061	Metal plate		1
62	JCS14-062	Threaded quick release block		1
63	JCS14-063	Washer	6	9
64	JCS14-064	Abrasive wheel		1
65	JCS14-065	Screw	M5×65	3
66	JCS14-066	Upper safety cover		1
67	JCS14-067	Rivet		2
68	JCS14-068	Short lever	45	1
69	JCS14-069	Nut	M6	4
70	JCS14-070	Long lever	45	1
71	JCS14-071	Center guard		1
72	JCS14-072	Screw	M5×15	1
73	JCS14-073	Screw	M6×15	1
74	JCS14-074	Big lower guard		1
75	JCS14-075	Washer		1
76	JCS14-076	Washer		1
77	JCS14-077	Screw	45	1
78	JCS14-078	Small lower guard		1
79	JCS14-079	Spring		1
80	JCS14-080	Hex bolt	M8×60	1
81	JCS14-081	Nut	M6	1
82	JCS14-082	Pin cap		1
83	JCS14-083	Spring washer	6	5
84	JCS14-084	Retainer	24	2
85	JCS14-085	Retainer	6	1
86	JCS14-086	Retainer	48	1
87	JCS14-087	O shape ring		1
88	JCS14-088	Guard plate		1
89	JCS14-089	Wrench		1
90	JCS14-090	Wrench storage		2
91	JCS14-091	Spring		1
92	JCS14-092	Pin	45	1
93	JCS14-093	Screw	45	1
94	JCS14-094	Support shaft		1
95	JCS14-095	Nut	M5	1
96	JCS14-096	Screw	45	1
97	JCS14-097	Washer	8	3
98	JCS14-098	Fixed bracket	45	1
99	JCS14-099	Sparkle deflector		1
100	JCS14-100	Positioned Holder		1
101	JCS14-101	Base assembly		1
102	JCS14-102	Shock absorption pad sleeve (B)		1
103	JCS14-103	Shock absorption pad		4
104	JCS14-104	Screw	M6×20	7
105	JCS14-105	Hex bolt	M10×25	2
106	JCS14-106	Spring washer	10	2
107	JCS14-107	Washer	10	2

## Parts List For JCS-14 Chop Saw

Index No.	Part No.	Description	Size	Qty.
108	JCS14-108	Shock absorption pad sleeve (A)		3
109	JCS14-109	Angle plate	45	1
110	JCS14-110	Retainer	22	1
111	JCS14-111	Splint		1
112	JCS14-112	Pin	3	1
113	JCS14-113	Washer	12	1
114	JCS14-114	Connection shaft	45	1
115	JCS14-115	Pin		1
116	JCS14-116	Bracket		1
117	JCS14-117	Hex bolt	M8×25	2
118	JCS14-118	Spring washer	8	2
119	JCS14-119	Stator		1
120	JCS14-120	Bearing		1
121	JCS14-121	Screw	M5×75	2
122	JCS14-122	Positioned ring		1
123	JCS14-123	Armature		1
124	JCS14-124	Bearing		1
125	JCS14-125	Motor assembly		1
126	JCS14-126(A01)	Hex bolt	M5×15	1
127	JCS14-127(A02)	Laser holder		1
128	JCS14-128(A03)	Switch		1
129	JCS14-129(A04)	Screw	M5×15	2
130	JCS14-130(A05)	Washer		2
131	JCS14-131(A06)	Laser holder cover		1
132	JCS14-132(A07)	Battery AAA		2
133	JCS14-133(A08)	Washer		2
134	JCS14-134(A09)	Laser		1