

# JET

**JDP-13M**

**Drill Press**

**10000360M**  
**230/50/1**

## PARTS LIST

**Walter Meier (Tool) AG**

Tämperlistrasse 5

CH-8117 Fällanden

Switzerland

Phone +41 44 806 47 48

Fax +41 44 806 47 58

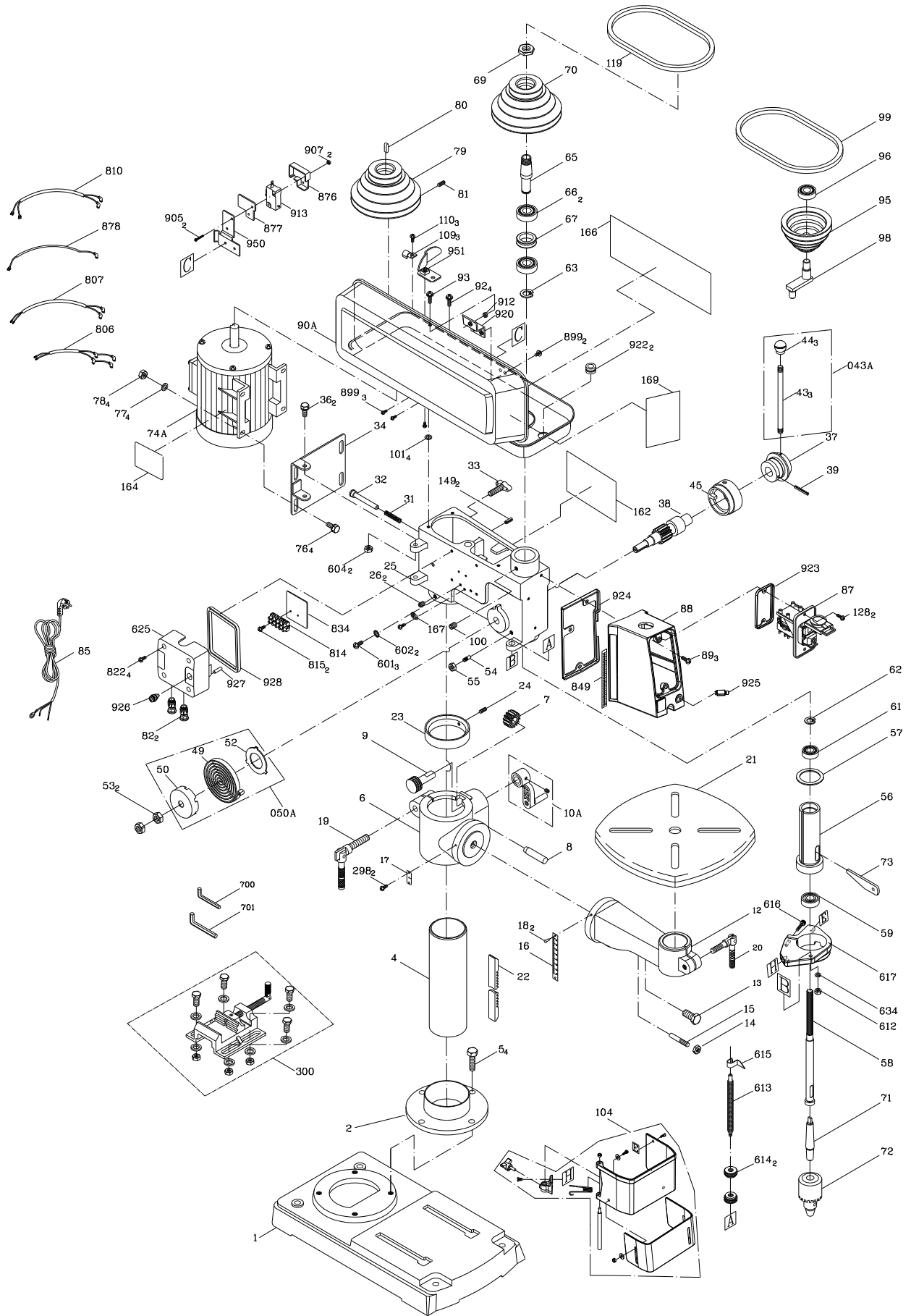
[jetinfo.eu@waltermeier.com](mailto:jetinfo.eu@waltermeier.com)

[www.jettools.com](http://www.jettools.com)



P-10000360M 2010/4/22

# Parts Breakdown for JDP-13M Drill Press



## Parts List for JDP-13M Drill Press

Index No.	Part No.	Description	Size	Qty.
1	10400126	Base		1
2	10400201	Column Holder		1
4	10600404	Body Column		1
5	2601BBDA72	Hex Head Bolt	M10x40mm	4
6	10600604	Table Bracket		1
7	10600702	Gear		1
8	10600802	Gear Shaft		1
9	10600902	Worm		1
10A	10601009A1	Crank Handle Assy		1
12	10401202	Table Bracket		1
13	2601QBDK84	Hex Head Bolt	5/8"x1	1
14	2701QZD506	Set Screw	1/2*20UNC	1
15	10901402	Pin		1
16	10601601	Tilting Scale		1
17	10801701	Centering Scale		1
18	2658MZDU36	Drive Screw		2
19	10601901	Column Lock Handle		1
20	10602001	Table Lock Handle		1
21	10402135	Table		1
22	10602204	Rack		1
23	10602304	Rack Ring		1
24	2603BBLA37	Set Screw	M6x8mm	1
25	10402552	Head		1
26	2603BBLA52	Set Screw	M8x8mm	2
31	10303101	Spring		1
32	10403216	Motor Rod		1
33	10604201	Shifter Bolt	M8x17mm	1
34	10403430	Motor Base		1
36	2615BBDD26	Hex Bolt w/Flat Washer	M8x30mm	2
37	10303701	Hub		1
38	10403801	Feed Shaft		1
39	2536MBE611	Spring pin	ø5x16mm	1
43A	10404302A2	Handle Assy		1
43	10404302	Handle Bar		3
44	10304411	Gripe		3
45	10304502	Scale Ring		1
49	10604902	Coil Spring		1
50A	10605002A3	Spring Cap Assy		1
50	10605002	Spring Cap		1
52	10605202	Spring Retainer		1
53	2701QZD611Hex Nut	1/2*20UNF	1	1
54	10405401	Quill Set Screw	M8x24mm	1
55	2701FBD107	Hex Nut	M8	1
56	10405606	Quill		1
57	10305701	Rubber Washer		1
58	10405815	Spindle		1
59	2001ZZ6204	Ball Bearing	6204ZZ	1
61	2001ZZ6201	Ball Bearing	6201ZZ	1
62	2570BBN111	Retaining Ring		1
63	2570BBN117	Retaining Ring		1
65	10306512	Driving Sleeve		1
66	2001ZZ6203	Ball Bearing	6203ZZ	2

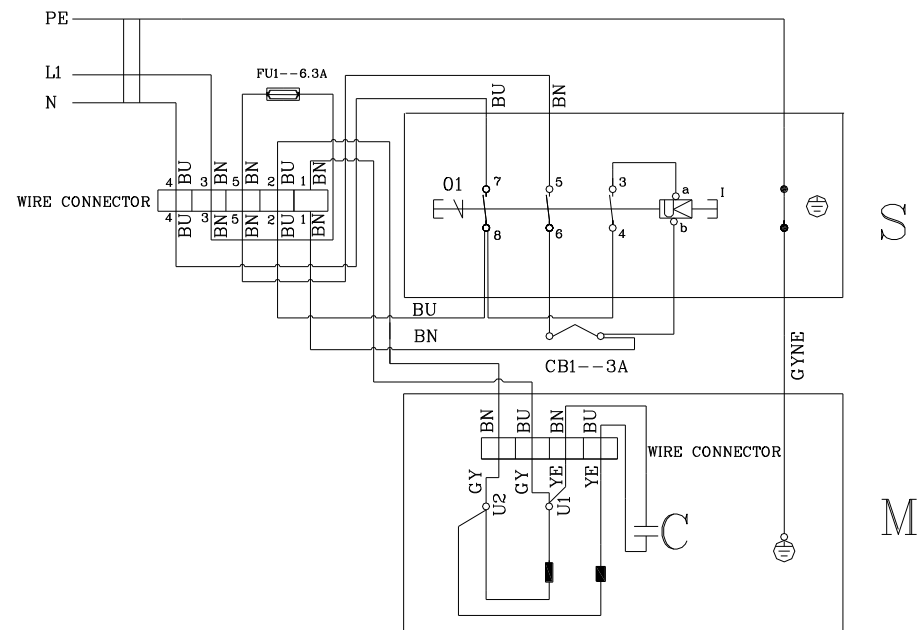
Index No	Part No	Description	Size	Qty.
67	10306701	Collar		1
69	10306901	Pulley Set Nut		1
70	10407005	Spindle Pulley		1
71	21015M2B16	Arbor	MT2 x B16	1
72	2135ATQ915	Keyless Chuck	B-16	1
73	10607303	Wedge Shifter		1
74A	80042R9S	Motor		1
76	2615BBDD28	Hex Head Bolt	M8x25mm	4
77	2501MBDN08	Flat Washer	M8	4
78	2701FBD107	Nut	M8	4
79	10407994	Motor Pulley		1
80	2571MNC308	Key	5mmx5mmx20mm	1
81	2603BBLA38	Set Screw	M8x10mm	1
82	2801ANHJ37	Strain Relief		2
85	2807UK026M	Power Cable		1
87	2899GA5069	Switch		1
88	10042ZTV	Switch Box		1
89	26682Z4X	Pan Head Screw	M5x12mm	3
90A	100433Y5	Pulley Cover Assy		1
90	100433Y7	Pulley Cover (Upper)		1
90	100433Y4	Pulley Cover (Lower)		1
92	2641BBDA39	Pan Head Screw	M6x12mm	4
93	2620BBDB11	Pan Head Screw	M5x25mm	1
95	10409513	Center Pulley		1
96	2001ZZ6202	Ball Bearing	6202ZZ	1
98	10609802	Center Pulley Shaft		1
99	2572ARM210	V-Belt	M-21	1
100	2603BBLA52	Spindle Pulley		1
101	2501NNVN11	Flat Washer	1/4"	4
104	10032Z90	Chuck Guard Assy		1
109	10208302	Clamp-Cord		3
110	2668BBDA32	Pan Head Screw	M5x10mm	3
119	2572ARM250	V-Belt	M-25	1
128	26612ZMF	Tapping Screw	M5x20mm	2
149	2536MBE616	Spring Pin	ø6x25	2
162	1004234Z	I.D Label		1
164	10042351	Motor Label		1
166	10316605	Speed Diagram		1
167	10216714	Earth Label		1
169	11316904	JET Logo		1
298	2668BBDA22	Pan Head Screw	M5x6mm	2
601	2668BZDA23	Pan Head Screw	M5x8mm	3
602	2504MZC005	Tooth Lock Washer		2
604	2705FBD108	Nut Chuck		2
612	2701FBD106	Nut		1
613	10461301	Scale Bolt		1
614	10518401	Nut		2
615	10201201	Pointer		1
616	2602BBLA28	Hex Socket Cap Screw	M5x25mm	1
617	10042Z98	Set Ring		1

Index No	Part No	Description	Size	Qty.
625	10042RAA	Connector Box		1
634	2502ABC417	Spring Washer		1
700	2138MBL703	Angle Wrench		1
701	2138MBL704	Angle Wrench		1
806	28062SDY	Lead Wire		1
807	280630K2	Lead Wire		1
810	2806555J9D	Lead Wire		1
814	2813DH5502	Wire Connector		1
815	2668BZDA04	Pan Head Screw	M3x20mm	2
822	26682Z52	Pan Head Screw	M5x25mm	4
834	10483401	Plate		1
849	10484901	Scale		1
878	28062R8G	Lead Wire Assy		1
876	10287601	Limit Switch Guard		1
877	10287701	Limit Switch Insulation Block		1
899	2641BBDA23	Pan Head Screw	M5x8mm	5
905	2668BZDA04	CR. RE. Pan HD. Screw	M3x20mm	2
907	2701FZD101	Hex. Nut		2
912	2705FBD105	Nut		1
913	2856D55B08	Limit Switch		1
920	10892001	Tension Plate		1
922	2801ABRF04	Rubber		2
300	213055540A2	Vise		1
923	10042R77	Dust Guard		1
924	10042R74	Dust Guard		1
925	28532R8P	Circuit Breaker Switch		1
926	10042R90	Fuse Holder Assy		1
927	28042R8K	Fuse		1
928	10042R76	Dust Guard		1
950	10292301	Retaining Clip		1
951	10292402	Pressing		1

**JDP-13M**  
**10000360M**

**230/50/1**

	colour of strands	Litzenfarben	couleur des cordons
BK	black	schwarz	noir
WH	white	weiß	blanc
BU	blue	blau	bleu
YE	yellow	gelb	jaune
RD	red	rot	rouge
BN	brown	braun	brun
GY	grey	grau	gris
GNYE	green-yellow	grün-gelb	vert-jaune
OG	orange	orange	orange
VT	violet	violett	violet



	meaning of symbol	Bedeutung der Zeichen	interprétation
M	motor	Motor	moteur
S	switch	Schalter	interrupteur
C	condenser	Kondensator	condensateur
E	electronic unit	Elektronik Einheit	unité électronique
F	fuse	Sicherung	fusible
RS	reversing switch	Drehrichtungsschalter	commu. droite/gauche
CS	centrifugal switch	Fliehkraftschalter	déclencheur centrifuge
OL	overload cut-off	Überlastschuttschalter	déclencheur surcharge