

JET

JDP-22VS Variable Speed Drill Press

50000420T ...400/50/3

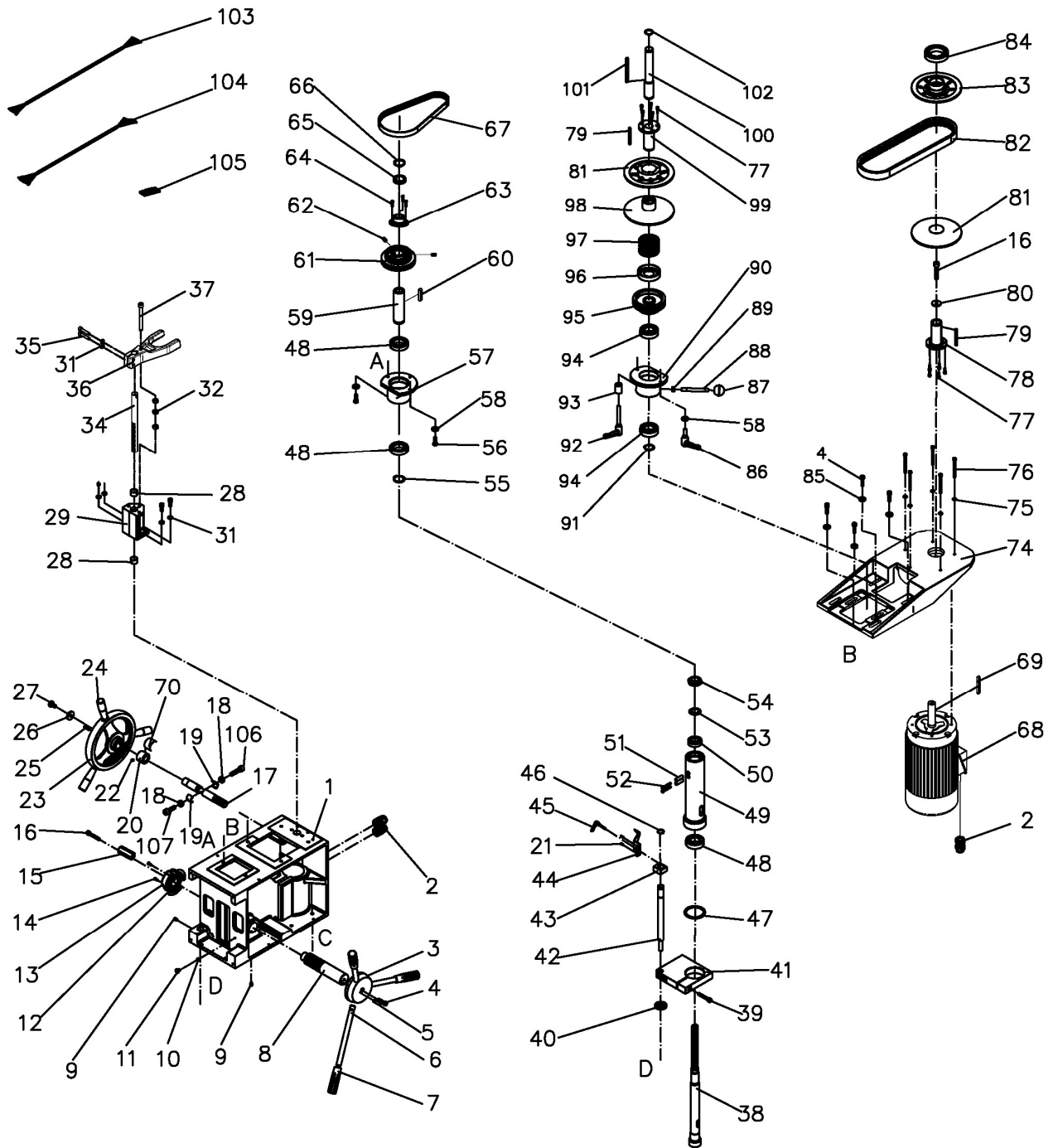
PARTS LIST

Walter Meier (Tool) AG
Tämperlistrasse 5
CH-8117 Fällanden
Switzerland
Phone +41 44 806 47 48
Fax +41 44 806 47 58
jetinfo.eu@waltermeier.com
www.jettools.com



P-50000420T 2010/06/25

Exploded View: Headstock Assembly

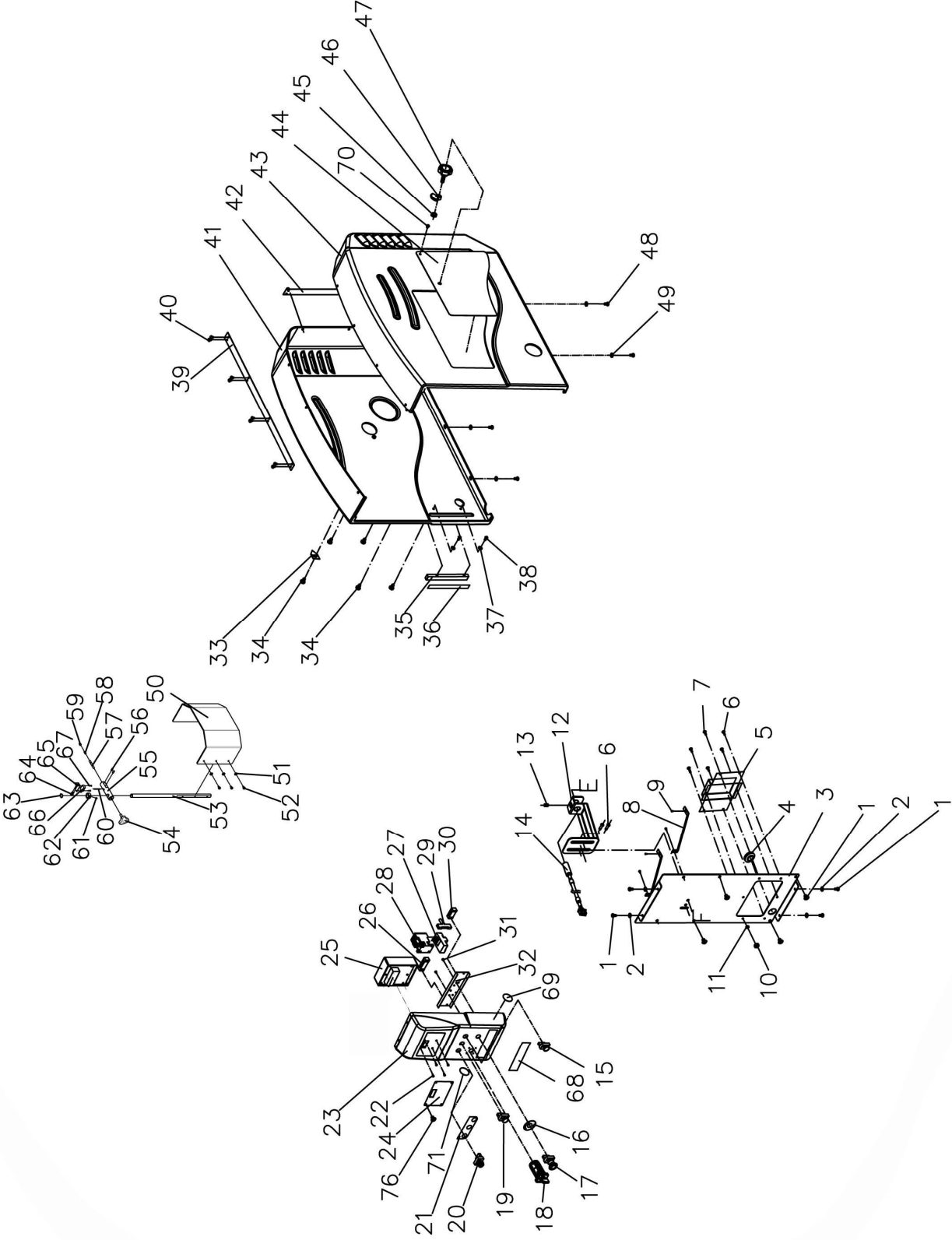


Parts List: Headstock Assembly - Serial # 8080025 and higher

Index No.	Part No.	Description	Size	Qty
1	2210-201E	Headstock		1
2	2210-202	Strain Relief	PG13.5	3
3	2210-203	Handle Hub		1
4	TS-1504061	Socket Head Cap Screw	M8x30	5
5	2210-205	Pin	Ø8x30	1
	2210-206A	Handle Assembly (Item #6 & #7)		1
6	2210-206	Handle		3
7	2210-207	Handle Grip		3
8	2210-208	Feed Shaft		1
9	TS-1524031	Set Screw	M8x12	2
10	2210-210	Star Washer	M4	2
11	TS-1532042	Pan Head Screw	M4x12	1
	2210-212A	Spring Cap Assembly (item #12 & #13)		1
12	2210-212	Spring		1
13	2210-213	Spring Cap		1
14	TS-1533042	Pan Head Screw	M5x12	2
15	2210-215	Spring Seat Shaft		1
16	TS-1504121	Socket Head Cap Screw	M8x60	2
17	2210-217	Shaft		1
18	TS-2311101	Hex Nut	M10	2
19	2210-219	Clamp		2
20	2210-220	Scale Collar		1
21	2210-221	Drive Screw	2x5	2
22	TS-1523021	Set Screw	M6x8	1
23	2210-223	Hand Wheel		1
24	2210-224	Handle		3
25	2210-225	Key	5x5x22	1
26	TS-1550071	Flat Washer	M10	1
27	TS-2210161	Hex Cap Screw	M10x16	1
28	2210-228	Bushing		2
29	2210-229A	Bracket		1
30	TS-1504041	Socket Head Cap Screw	M8x20	4
31	TS-1551061	Lock Washer	M8	5
32	TS-2311101	Hex Nut	M10	2
34	2210-234	Rack		1
35	TS-1504081	Socket Head Cap Screw	M8x40	1
36	2210-236A	Moving Bracket		1
37	2210-237A	Socket Head Cap Screw	M10x100	1
38	2210-238	Spindle		1
39	TS-1504091	Socket Head Cap Screw	M8x45	1
40	2210-240	Adjustment Nut		1
41	2210-241	Seat		1
42	2210-242	Scale Bolt		1
43	2210-243	Set Block		1
44	2210-244	Pointer		1
45	2210-245	Locking Handle	M6x40	1
46	2210-246	C-Ring	STW-20	1
47	2210-247	O-Ring	P62	1
48	BB-6008ZZ	Ball Bearing	6008ZZ	3
49	2210-249	Quill		1
50	BB-6006ZZ	Ball Bearing	6006ZZ	1
51	2210-251	Pin		2
52	TS-1504061	Socket Head Cap Screw	M8x30	2
53	2210-253	Bearing Lock Washer		1
54	2210-254	Bearing Nut		1

Index No.	Part No.	Description	Size	Qty
55	2210-255	C-Ring	STW-40	1
56	TS-1490041	Hex Cap Screw	M8x25	2
57	2210-257	Bearing Housing		1
58	TS-1550061	Flat Washer	M8	3
59	2210-259	Driving Sleeve		1
60	2210-260	Key	6x6x40	1
61	2210-261A	Spindle Pulley	3Ph	1
62	TS-1523041	Set Screw	M6x12	2
63	2210-263	Sensor Seat		1
64	TS-1501061	Socket Head Cap Screw	M4x20	3
65	2210-265	Inductive Ring		1
66	2210-266	C-Ring	STW-30	1
67	2210-267	Belt	280J-8R	1
68	22302-268E	Motor		1
69	JDP22VS-269E	Key	8x7x72	1
70	JDP22VS-270E	Speed Range Label		1
74	2210-274E	Motor Seat		1
76	TS-1490051	Hex Cap Screw	M8x30	4
77	TS-1502041	Socket Head Cap Screw	M5x16	10
78	2210-278	Shaft Sleeve		1
79	2210-279	Key		2
80	TS-1550061	Flat Washer	M8	1
81	2210-281	Pulley		2
82	2210-282E	Belt		1
83	2210-283	Pulley		1
84	BB-6010ZZ	Ball Bearing	6010ZZ	1
85	TS-1550061	Flat Washer	M8	5
86	2210-286	Locking Handle	3/8x20	1
87	2210-287	Ball Knob		2
88	2210-288	Lever		2
89	TS-0561031	Hex Nut	3/8-16	2
90	2210-290	Bearing Housing		1
91	2210-266	C-Ring	STW-30	1
92	2210-292	Locking Handle	3/8x50	1
93	2210-293	Bushing		1
94	BB-6206ZZ	Ball Bearing	6206ZZ	2
95	2210-295A	Pulley	3Ph	1
96	2210-296	Spring Seat		1
97	2210-297	Spring		1
98	2210-298	Pulley		1
99	2210-299	Driving Sleeve		1
100	2210-2100	Shaft		1
101	2210-2101	Key	8x7x100	1
102	2210-2102	C-Ring	STW-25	1
103	22302-2103	Motor Cord	3Ph	1
104	22302-2104E	Power Cord	3Ph	1
105	2210-2105	Clamp		2
106	2210-2106	Socket Head Cap Screw	M10x40	1
107	2210-2107	Socket Head Cap Screw	M10x30	1
108	JDP22VS-2108E	Chuck with Handle (not shown)	MT3, M16	1
109	JDP22VS-2109E	T- Nut Set		1

Exploded View: Headstock Cover Assembly

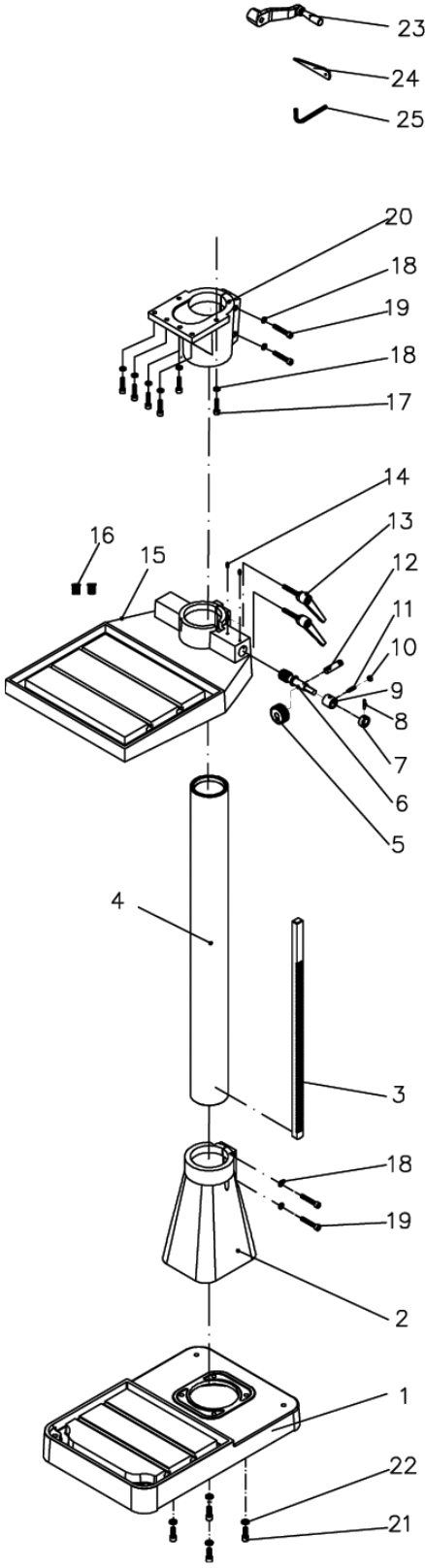


Parts List: Headstock Cover Assembly

Index No.	Part No.	Description	Size	Qty
1	TS-1534032	Pan Head Screw	M6x10	12
2	TS-1550041	Flat Washer	M6	4
3	2210-303	Cover Plate		1
4	2210-304	Cord Protector		1
5	2210-305	Cover		1
6	TS-2171012	Pan Head Screw	M4x6	7
7	TS-1532042	Pan Head Screw	M4x12	1
8	2210-308	Support		2
9	TS-2284082	Pan Head Screw	M4x8	18
10	TS-1540021	Hex Nut	M4	1
11	2210-210	Star Washer	M4	2
12	2210-312	Bracket		1
13	2210-313	Nylon Set Screw	M4x6	1
14	2210-314	Sensor		1
15	2210-315	Push button Start Switch		1
16	2210-316E	Emergency Stop Label		1
17	2210-317	Emergency Stop Switch		1
18	22302-318	Forward/ Reverse Switch	3Ph	1
19	2210-319	Pushbutton Stop Switch		1
20	2210-320	Safety Lock Switch		1
	2210-320-1	Safety Lock Switch Key (Set of 2)		1
21	2210-321E	Switch Label		1
22	TS-2284121	Flat Head Screw	M4x12	4
23	2210-323	Front Cover		1
24	2210-324E	LED Readout Cover		1
25	2210-325E	LED Readout		1
26	2210-326	Connector Bracket		1
27	22304-327E	Relay		1
28	2210-328	Contact Switch		1
29	2210-329	Fuse	2A	1
30	2210-330	Connector Bracket		1
31	2210-331	Tapping Screw	M4x12	2
32	2210-332	Bracket		1
33	2210-333	Pointer		1
34	2210-334	Tapping Screw	M5x8	5
35	2210-335	Scale Bracket		1
36	2210-336E	Scale		1
37	TS-1550021	Flat Washer	M4	2
38	TS-2284082	Screw	M4x8	2
39	2210-339	Plate		1
40	TS-2284082	Screw	M4x8	18
41	2210-341E	Left Side Cover		1
42	2210-342	Plate		1
43	2210-343E	Right Side Cover		1
44	2210-344E	Access Door		1
45	TS-0561031	Hex Nut	3/8-16	1
46	JC-M05	Door Latch		1
47	2210-347	Knob		1
48	TS-1534032	Pan Head Screw	M6x10	8
49	TS-1550041	Flat Washer	M6	4
50	JDP22VS-350E	Safety Guard		1
51	TS-1550031	Flat Washer	M5	3
52	TS-1481021	Hex Cap Screw	M5x10	3
53	JDP22VS-353E	Guard Rod		1

Index No.	Part No.	Description	Size	Qty
54	JDP22VS-354E	Knob		1
55	JDP22VS-355E	Shaft		1
56	TS-1523043	Set Screw	M6x12	2
57	JDP22VS-357E	Pin		1
58	JDP22VS-358E	Spring		1
59	TS-1524011	Set Screw	M8x8	1
60	JDP22VS-360E	Stop Pin		1
61	TS-1523011	Set Screw	M6x6	1
62	JDP22VS-362E	Stop Ring		1
63	JDP22VS-363E	C-Ring	STW-16	1
64	TS-2284121	Screw	M4x12	2
65	JDP22VS-365E	Bracket		1
66	JDP22VS-366E	Limit Switch		1
67	TS-2283102	Screw	M3x12	2
68	JDP22VS-368E	Name Plate		1
69	JDP22VS-369E	Warning Label		1
70	JDP22VS-370E	Machine Screw		1
71	JDP22VS-371E	Warning Label		1
72	JDP22VS-372E	Speed Chart, for drill size (not shown)		1
73	JDP22VS-373E	Warning for Adjustment Handwheel (not shown)		1
74	JDP22VS-374E	Speed label, Pulley Cover (not shown)		1
75	JDP22VS-375E	Warning Label, Pulley Cover (not shown)		1
76	JDP22VS-376E	Machine Screw		4
	22304-350E	Transformer		1

Exploded View: Base and Column Assembly



Parts List: Base and Column Assembly

Index No.	Part No.	Description	Size	Qty
1	2210-101E	Base		1
2	2210-102E	Lower Column Holder		1
3	2210-103	Rack		1
4	2210-104	Column		1
5	2210-105	Pinion Gear		1
6	2210-106	Worm Shaft		1
7	2210-107	Bushing		1
8	2210-108	Spring Pin	Ø5x30	1
9	2210-109	Bushing		1
10	TS-1540061	Hex Nut	M8	1
11	2210-111	Set Screw	M8x30	1
12	2210-112	Shaft		1
13	2210-113	Locking Handle		2
14	2210-114	Fitting		2
15	2210-115E	Table		1
16	2210-116	Plug	PT 3/8-19	2
17	TS-1505061	Socket Head Cap Screw	M10x40	6
18	TS-1551071	Lock Washer	M10	10
19	TS-1505101	Socket Head Cap Screw	M10x60	4
20	2210-120E	Holder Bracket		1
21	TS-1506051	Socket Head Cap Screw	M12x40	4
22	TS-2361121	Lock Washer	M12	4
23	2210-123	Handle Assembly		1
24	2210-124	Drift Key		1
25	TS-152707	Hex Wrench	6mm	1

JDP-22VS
50000420T

400/50/3

	colour of strands	Litzenfarben	couleur des cordons
BK	black	schwarz	noir
WH	white	weiß	blanc
BU	blue	blau	bleu
YE	yellow	gelb	jaune
RD	red	rot	rouge
BN	brown	braun	brun
GY	grey	grau	gris
GNYE	green-yellow	grün-gelb	vert-jaune
OG	orange	orange	orange
VT	violet	violett	violet

	meaning of symbol	Bedeutung der Zeichen	interprétation
M	motor	Motor	moteur
S	switch	Schalter	interrupteur
C	condenser	Kondensator	condensateur
E	electronic unit	Elektronik Einheit	unité électronique
F	fuse	Sicherung	fusible
RS	reversing switch	Drehrichtungsschalter	commu. droite/gauche
S	centrifugal switch	Fliehkraftschalter	déclencheur centrifuge
OL	overload cut-off	Überlastschuttschalter	déclencheur surcharge
LS	limit switch	Positionsendschalter	micro
TR	transformer	Transformator	transformateur

