

JET

JDP-8

Drill Press

**10000830M
230/50/1**

**PARTS LIST
ERSATZTEILLISTE
LISTE DE PIECES**

WMH Tool Group AG

Bahnstrasse 24, CH – 8603 Schwerzenbach

www.wmhtoolgroup.ch; info@wmhtoolgroup.ch

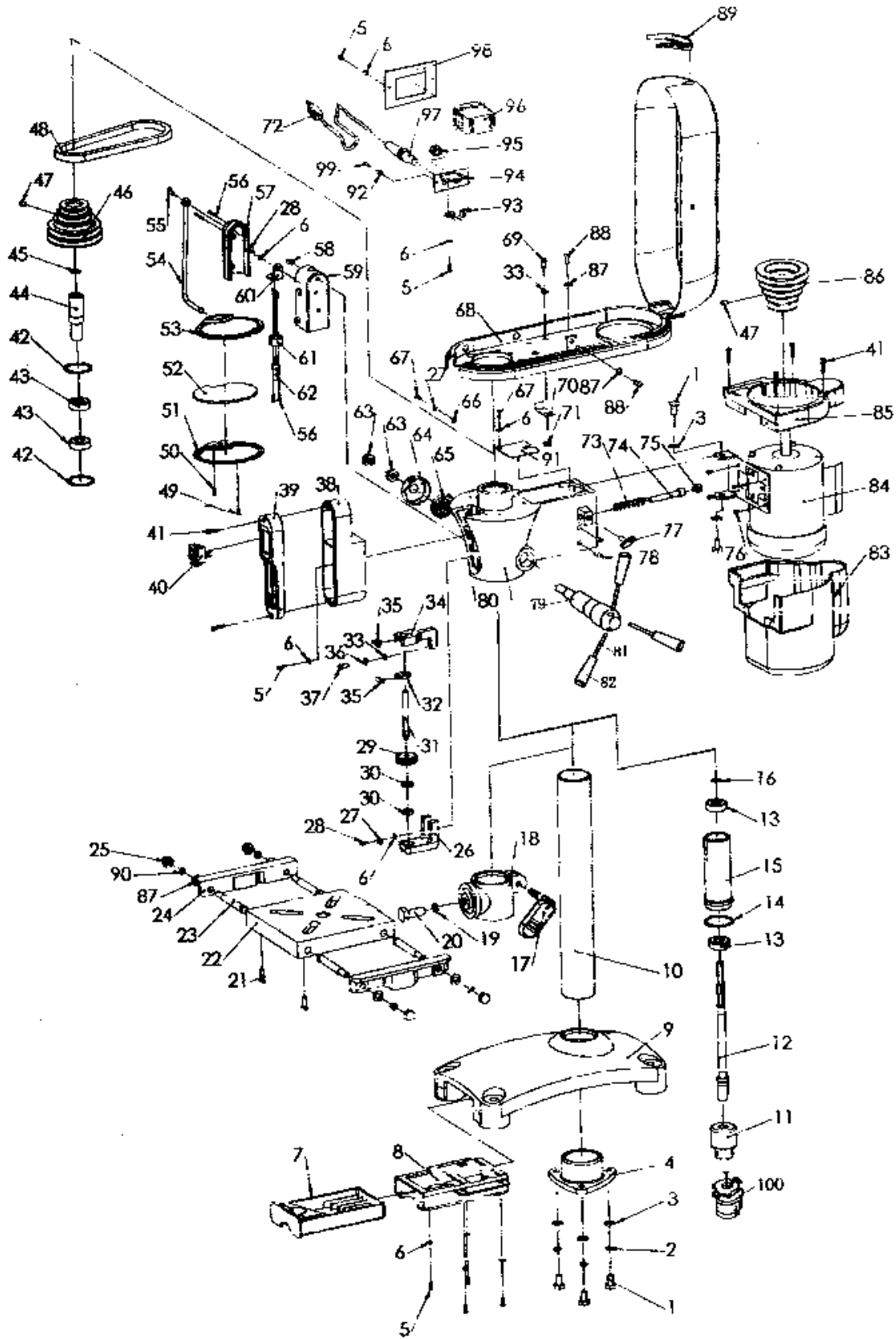
Tel +41 (0) 1 806 47 48

Fax +41 (0) 1 806 47 58



P-10000830M 04/03

Parts Breakdown For JDP-8 Drill Press



Parts List For JDP-8 Drill Press

Index No.	Part No.	Description	Size	Qty.
1	JDP8-001	Bolt		5
2	JDP8-002	Spring washer		7
3	JDP8-003	Flat washer		9
4	JDP8-004	Support column		1
5	JDP8-005	Screw		10
6	JDP8-006	Flat washer		17
7	JDP8-007	Tool box		1
8	JDP8-008	Box base		1
9	JDP8-009	Base		1
10	JDP8-010	Column tube		1
11	JDP8-011	Chuck		1
12	JDP8-012	Spindle		1
13	JDP8-013	Bearing		2
14	JDP8-014	Rubber washer		1
15	JDP8-015	Quill tube		1
16	JDP8-016	C-ring		1
17	JDP8-017	Knob		1
18	JDP8-018	Table support		1
19	JDP8-019	Spring washer		1
20	JDP8-020	Bolt		1
21	JDP8-021	Wing screw		2
22	JDP8-022	Main work table		1
23	JDP8-023	Support pole		4
24	JDP8-024	Accessory work table		2
25	JDP8-025	Cap nut		4
26	JDP8-026	Bearing base		1
27	JDP8-027	Spring washer		6
28	JDP8-028	Screw		5
29	JDP8-029	Adjustment wheel		1
30	JDP8-030	Bearing		2
31	JDP8-031	Screw		1
32	JDP8-032	Limit position block		1
33	JDP8-033	Flat washer		3
34	JDP8-034	Pointer base		1
35	JDP8-035	Pointer		2
36	JDP8-036	Spring washer		2
37	JDP8-037	Screw		2
38	JDP8-038	Switch box		1
39	JDP8-039	Switch plate		1
40	JDP8-040	Lamp switch		1
41	JDP8-041	Screw		6
42	JDP8-042	C-ring		2
43	JDP8-043	Bearing		2
44	JDP8-044	Pulley shaft		1
45	JDP8-045	Retaining ring		1
46	JDP8-046	Drive wheel		1
47	JDP8-047	Screw		2
48	JDP8-048	V-belt		1
49	JDP8-049	Screw		2
50	JDP8-050	Screw		1

Parts List For JDP-8 Drill Press

Index No.	Part No.	Description	Size	Qty.
51	JDP8-051	Guard mirror nip plate A		1
52	JDP8-052	Guard mirror		1
53	JDP8-053	Guard mirror nip plate B		1
54	JDP8-054	Guard mirror bracket		1
55	JDP8-055	Wing nut		1
56	JDP8-056	Screw		4
57	JDP8-057	Joint cover		1
58	JDP8-058	Screw		2
59	JDP8-059	Joint base		1
60	JDP8-060	Lamp base		1
61	JDP8-061	Lamp head		1
62	JDP8-062	Lamp		1
63	JDP8-063	Nut		2
64	JDP8-064	Cover		1
65	JDP8-065	Spring		1
66	JDP8-066	Gear washer		2
67	JDP8-067	Screw		3
68	JDP8-068	Wheel housing		1
69	JDP8-069	Screw		1
70	JDP8-070	Press cord nip		1
71	JDP8-071	Nut		1
72	JDP8-072	Power cord		1
73	JDP8-073	Spring		1
74	JDP8-074	Motor support pole		1
75	JDP8-075	Rubber washer		1
76	JDP8-076	Screw		4
77	JDP8-077	Knob		1
78	JDP8-078	Screw		2
79	JDP8-079	Gear shaft		1
80	JDP8-080	Body head		1
81	JDP8-081	Rod		3
82	JDP8-082	Knob		3
83	JDP8-083	Motor low housing		1
84	JDP8-084	Motor		1
85	JDP8-085	Motor up housing		1
86	JDP8-086	Wheel		1
87	JDP8-087	Flat washer		9
88	JDP8-088	Screw		5
89	JDP8-089	Cover nip		1
90	JDP8-090	Spring washer		4
91	JDP8-091	Baffle plate		1
92	JDP8-092	Flat washer		2
93	JDP8-093	Fixed nip		1
94	JDP8-094	Cover plate		1
95	JDP8-095	Strain relief		1
96	JDP8-096	Switch		1
97	JDP8-097	Cord bush		1
98	JDP8-098	Switch fixed plate		1
99	JDP8-099	Screw		2
100	JDP8-100	Chuck guard		1