

JET

JDP-8L

Drill Press

**10000355M
230/50/1**

**PARTS LIST
ERSATZTEILLISTE
LISTE DE PIECES**

WMH Tool Group AG

Bahnstrasse 24, CH – 8603 Schwerzenbach

www.wmhtoolgroup.ch; info@wmhtoolgroup.ch

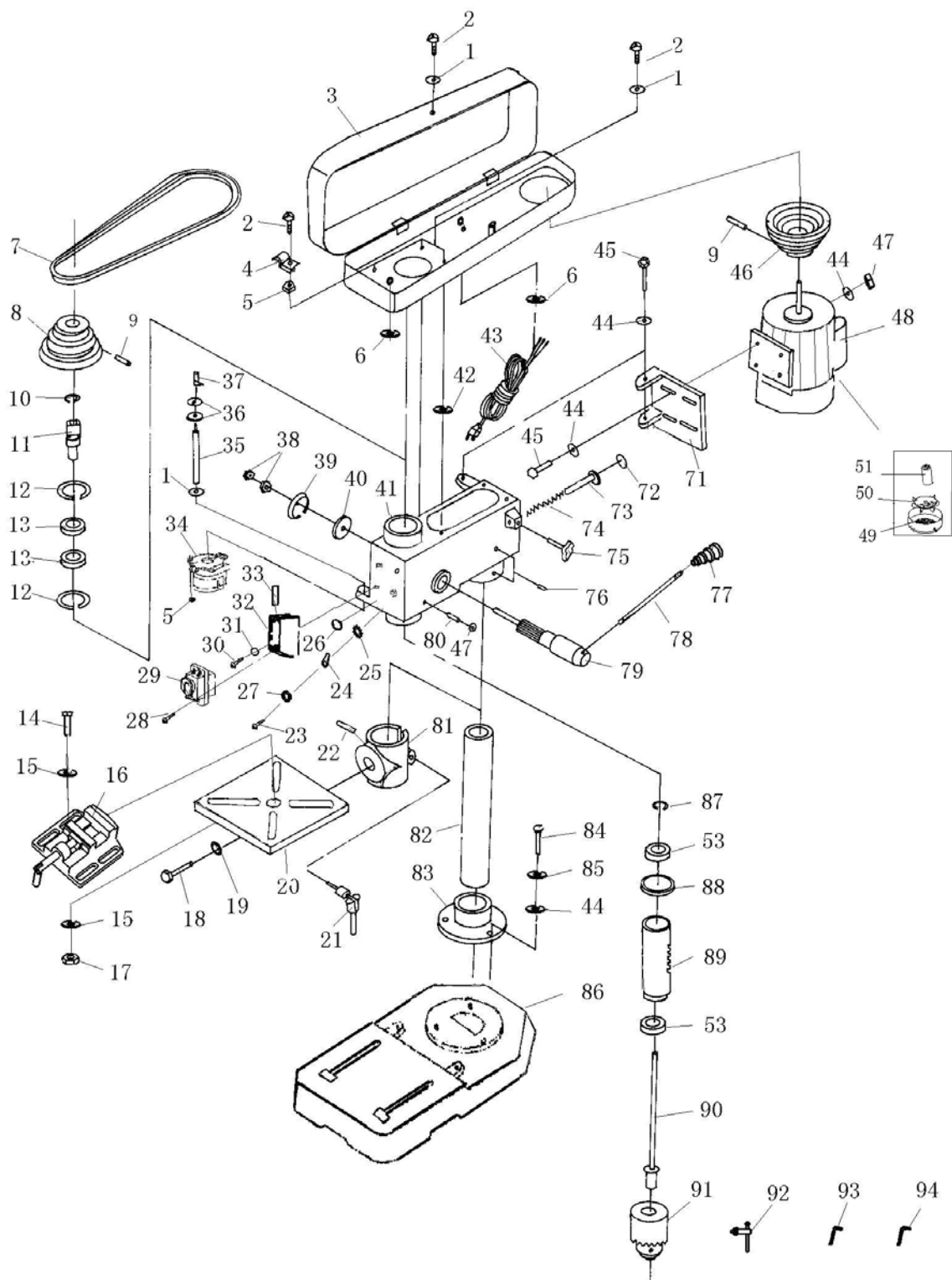
Tel +41 (0) 44 806 47 48

Fax +41 (0) 44 806 47 58



P-10000355M 03/07

JDP-8L Drill Press breakdown



JDP-8L Drill Press Parts List

Index	Part No.	Description	Size	Qty.
1	JDP8L-001	Flat washer	6	7
2	JDP8L-002	Screw	M6×12	6
3	JDP8L-003	Pulley cover		1
4	JDP8L-004	Cable Clip		2
5	JDP8L-005	Nut	M6	3
6	JDP8L-006	Wire ring		2
7	JDP8L-007	Belt		1
8	JDP8L-008	Pulley		1
9	JDP8L-009	Screw	M6×10	2
10	JDP8L-010	Retainer	22	1
11	JDP8L-011	Square shaft cover		1
12	JDP8L-012	Retainer	40	2
13	JDP8L-013	Bearing	6203	2
14	JDP8L-014	Hex bolt	M10×35	2
15	JDP8L-015	Flat washer	10	4
16	JDP8L-016	Vise	2.5"	1
17	JDP8L-017	Nut	M10	2
18	JDP8L-018	Hex bolt	M12×25	1
19	JDP8L-019	Spring washer	12	1
20	JDP8L-020	Work table		1
21	JDP8L-021	Handle		1
22	JDP8L-022	Angle scale		1
23	JDP8L-023	Screw	M4×6	6
24	JDP8L-024	Earth terminal	4	3
25	JDP8L-025	Teeth washer	4	3
26	JDP8L-026	Earth mark		2
27	JDP8L-027	Spring washer	4	3
28	JDP8L-028	Tapping screw	ST2.9×10	3
29	JDP8L-029	Magnet switch	KJD12	1
30	JDP8L-030	Screw	M4×12	4
31	JDP8L-031	Flat washer	4	13
32	JDP8L-032	Switch box		1
33	JDP8L-033	Depth scale		1
34	JDP8L-034	Transparent guard		1
35	JDP8L-035	Adjustable Bolt		1
36	JDP8L-036	Hex thin bolt	M10	2
37	JDP8L-037	Indicator		1
38	JDP8L-038	Hex bolt	M10	2
39	JDP8L-039	Spring cover		1
40	JDP8L-040	Turbination spring		1
41	JDP8L-041	Machine box		1
42	JDP8L-042	Rubber washer		4
43	JDP8L-043	Power cable		1
44	JDP8L-044	Flat washer	8	13
45	JDP8L-045	Hex bolt	M8×18	6
46	JDP8L-046	Pulley		1
47	JDP8L-047	Nut	M8	5
48	JDP8L-048	Motor 230V complete		1
49	JDP8L-049	Motor fan cover		1
50	JDP8L-050	Motor fan		1
51	JDP8L-051	Condensor	8uF/450V	1

JDP-8L Drill Press Parts List

Index	Part No.	Description	Size	Qty.
53	JDP8L-053	Bearing	6201	2
71	JDP8L-071	Motor support		1
72	JDP8L-072	Cushion		1
73	JDP8L-073	Stay bar		1
74	JDP8L-074	Compression spring		1
75	JDP8L-075	Knob		1
76	JDP8L-076	Screw	M8×10	2
77	JDP8L-077	Handle lever cap		3
78	JDP8L-078	Handle lever		3
79	JDP8L-079	Gear shaft		1
80	JDP8L-080	Screw	M8×10	1
81	JDP8L-081	Supporter		1
82	JDP8L-082	Column		1
83	JDP8L-083	Column holder		1
84	JDP8L-084	Hex bolt	M8×20	3
85	JDP8L-085	Spring washer	8	3
86	JDP8L-086	Base		1
87	JDP8L-087	Retainer	12	1
88	JDP8L-088	Rubber washer		1
89	JDP8L-089	Spindle sleeve		1
90	JDP8L-090	Spindle		1
91	JDP8L-091	Chuck		1
92	JDP8L-092	Chuck key		1
93	JDP8L-093	Wrench	3	1
94	JDP8L-094	Wrench	4	1