

JET

**JDR-34
JDR-34F**

RADIAL DRILL PRESS

10000390M/U...230/50/1

10000395M/U...230/50/1

PARTS LIST

ERSATZTEILLISTE

LISTE DE PIECES

WMH Tool Group AG

Bahnstrasse 24, CH – 8603 Schwerzenbach

www.wmhtoolgroup.ch; info@wmhtoolgroup.ch

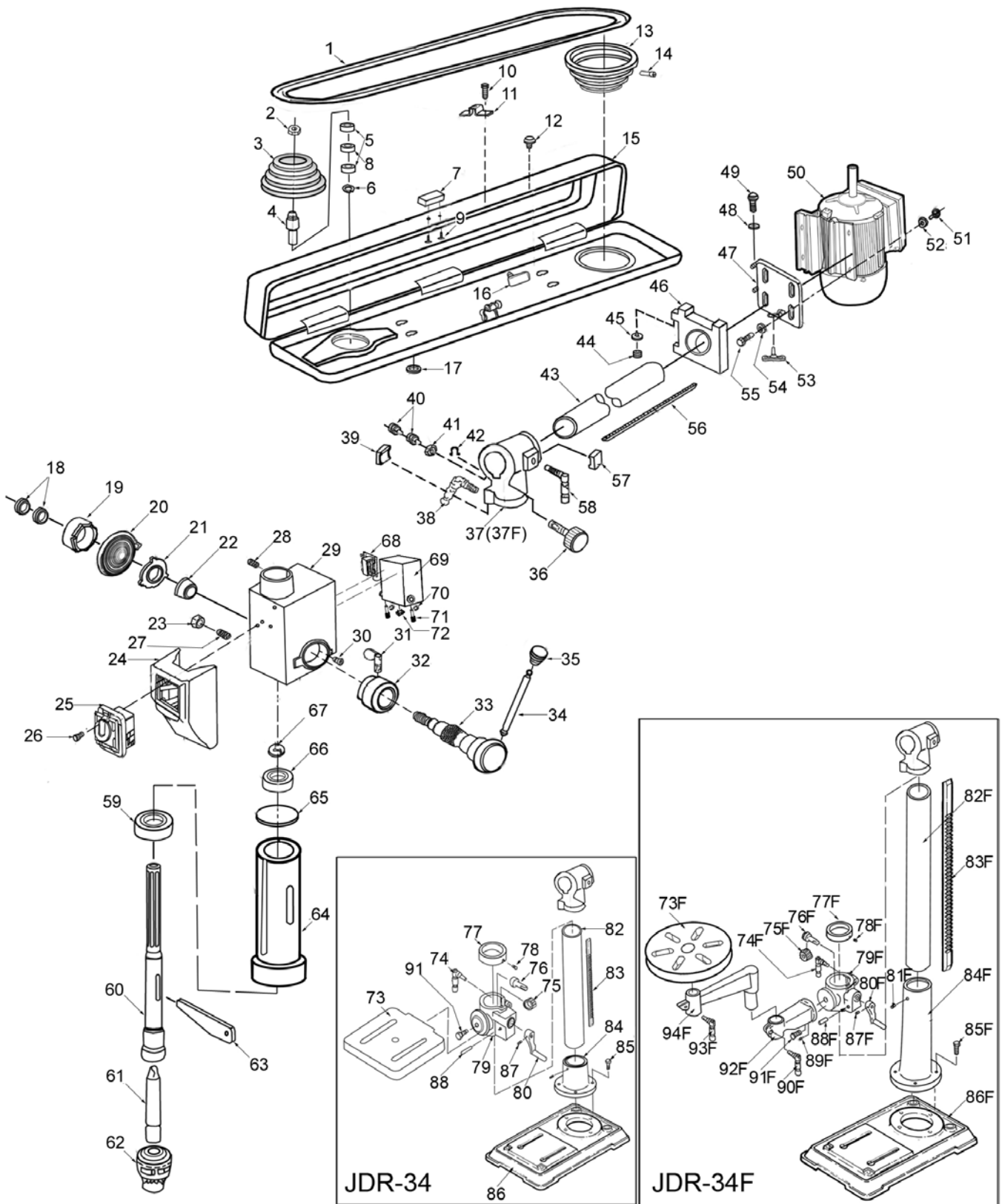
Tel +41 (0) 44 806 47 48

Fax +41 (0) 44 806 47 58



P-10000390M/U-10000395M/U 02/05

Parts Breakdown for JDR-34 and JDR-34F Radial Drill Press



Parts List for JDR-34 and JDR-34F Radial Drill Press

| Index | Part No. | Description | Size | Qty. |
|-------|-----------|------------------|-----------|------|
| 1 | JDR34-001 | BELT-"V" | M58 | 1 |
| 2 | JDR34-002 | PULLEY NUT | | 1 |
| 3 | JDR34-003 | SPINDLE PULLEY | | 1 |
| 4 | JDR34-004 | INSERT PULLEY | | 1 |
| 5 | JDR34-005 | BEARING-BALL | 80203 | 2 |
| 6 | JDR34-006 | RETAINING RING | 17MM | 1 |
| 7 | JDR34-007 | KNOB | | 1 |
| 8 | JDR34-008 | SPACER 1302023 | 1302023 | 1 |
| 9 | JDR34-009 | SCREW | M5X12 | 2 |
| 10 | JDR34-010 | SCREW | M5X12 | 1 |
| 11 | JDR34-011 | CLAMP CORD | | 1 |
| 12 | JDR34-012 | SCREW | M6X12 | 1 |
| 13 | JDR34-013 | MOTOR PULLEY | | 1 |
| 14 | JDR34-014 | SCREW | M6X10 | 1 |
| 15 | JDR34-015 | BELT GUARD | | 1 |
| 16 | JDR34-016 | MICRO SWITCH | | 1 |
| 17 | JDR34-017 | FORM WASHER | | 4 |
| 18 | JDR34-018 | NUT-HEX | M12 | 2 |
| 19 | JDR34-019 | CAP-SPRING | | 1 |
| 20 | JDR34-020 | SPRING-TORSION | | 1 |
| 21 | JDR34-021 | RETAINER-SPRING | | 1 |
| 22 | JDR34-022 | SEAT-SPRING | | 1 |
| 23 | JDR34-023 | NUT-HEX | M8 | 1 |
| 24 | JDR34-024 | BOX SWITCH | | 1 |
| 25 | JDR34-025 | NO-VOLT SWITCH | | 1 |
| 26 | JDR34-026 | TAPPING SCREW | ST4.2X9.5 | 1 |
| 27 | JDR34-027 | SCREW 1302021 | | 1 |
| 28 | JDR34-028 | SCREW-SOCKET SET | | 1 |
| 29 | JDR34-029 | HEAD | | 1 |
| 30 | JDR34-030 | PIN-STOP | | 1 |
| 31 | JDR34-031 | LOCK-DEPTH SCREW | | 1 |
| 32 | JDR34-032 | RING-DEPTH STOP | | 1 |
| 33 | JDR34-033 | HUB | | 1 |
| 34 | JDR34-034 | FEED-ROD | | 3 |
| 35 | JDR34-035 | FEED-KNOB | | 3 |
| 36 | JDR34-036 | MOVING-BAR | | 1 |
| 37 | JDR34-037 | GUIDE-COLUMN | | 1 |
| 38 | JDR34-038 | CLAMPING-LEVER | | 1 |
| 39 | JDR34-039 | LOCKING-SHOE | | 1 |
| 40 | JDR34-040 | HEX SCREW | M5X6 | 2 |
| 41 | JDR34-041 | NUT | M16 | 1 |
| 42 | JDR34-042 | RING-RETAINING | | 1 |
| 43 | JDR34-043 | HORIZONTAL-TUBE | | 1 |
| 44 | JDR34-044 | SCREW-HEX | M8X16 | 1 |
| 45 | JDR34-045 | WASHER | M8 | 1 |
| 46 | JDR34-046 | MOUNT-COVER | | 1 |
| 47 | JDR34-047 | MOUNT-MOTOR | | 1 |
| 48 | JDR34-048 | NUT HEX | M8 | 1 |
| 49 | JDR34-049 | SCREW-HEX | M8X20 | 1 |
| 50 | JDR34-050 | MOTOR | | 1 |
| 51 | JDR34-051 | NUT HEX | M8 | 1 |
| 52 | JDR34-052 | WASHER | M8 | 1 |
| 53 | JDR34-053 | THUMB NUT | | 1 |
| 54 | JDR34-054 | WASHER | M8 | 1 |
| 55 | JDR34-055 | SCREW-HEX | M8X20 | 1 |
| 56 | JDR34-056 | HORIZONTAL-RACK | | 1 |
| 57 | JDR34-057 | LOCKING SHOE | | 1 |

Parts List for JDR-34 and JDR-34F Radial Drill Press

| Index | Part No. | Description | Size | Qty. |
|-------|------------|------------------|--------|------|
| 58 | JDR34-058 | CLAMPING-LEVER | | 1 |
| 59 | JDR34-059 | BEARING-BALL | 80204 | 1 |
| 60 | JDR34-060 | SPINDLE | | 1 |
| 61 | JDR34-061 | ARBOR | | 1 |
| 62 | JDR34-062 | CHUCK | | 1 |
| 63 | JDR34-063 | KEY-DRIFT | | 1 |
| 64 | JDR34-064 | TUBE-QUILL | | 1 |
| 65 | JDR34-065 | WASHER RUBBER | | 1 |
| 66 | JDR34-066 | BEARING-BALL | 80203 | 1 |
| 67 | JDR34-067 | RING-RETAINING | | 1 |
| 68 | JDR34-068 | TRANSFORMER | | 1 |
| 69 | JDR34-069 | LASER BOX | | 1 |
| 70 | JDR34-070 | RETAINING WASHER | | 2 |
| 71 | JDR34-071 | LASER POINTER | | 2 |
| 72 | JDR34-072 | LASER SWITCH | | 1 |
| 73 | JDR34-073 | TABLE | | 1 |
| 74 | JDR34-074 | TABLE CLAMP | | 1 |
| 75 | JDR34-075 | GEAR-HELICAL | | 1 |
| 76 | JDR34-076 | WORM-ELEVATION | | 1 |
| 77 | JDR34-077 | COLUMN COLLAR | | 1 |
| 78 | JDR34-078 | SCREW | M6X10 | 1 |
| 79 | JDR34-079 | TABLE SUPPORT | | 1 |
| 80 | JDR34-080 | CRANK | | 1 |
| 82 | JDR34-082 | COLUMN | | 1 |
| 83 | JDR34-083 | RACK | | 1 |
| 84 | JDR34-084 | COLUMN SUPPORT | | 1 |
| 85 | JDR34-085 | HEX BOLT | M8X20 | 4 |
| 86 | JDR34-086 | BASE | | 1 |
| 87 | JDR34-087 | SCREW | M6X10 | 1 |
| 88 | JDR34-088 | PIN GEAR | | 1 |
| 91 | JDR34-091 | HEX BOLT | M12X22 | 1 |
| 73F | JDR34-073F | TABLE | | 1 |
| 74F | JDR34-074F | SUPPORT CLAMP | | 1 |
| 75F | JDR34-075F | GEAR-HELICAL | | 1 |
| 76F | JDR34-076F | WORM-ELEVATION | | 1 |
| 77F | JDR34-077F | COLUMN COLLAR | | 1 |
| 78F | JDR34-078F | SCREW | M6X10 | 1 |
| 79F | JDR34-079F | TABLE SUPPORT | | 1 |
| 80F | JDR34-080F | CRANK | | 1 |
| 81F | JDR34-081F | SCREW | M10X12 | 1 |
| 82F | JDR34-082F | COLUMN | | 1 |
| 83F | JDR34-083F | RACK | | 1 |
| 84F | JDR34-084F | COLUMN SUPPORT | | 1 |
| 85F | JDR34-085F | HEX BOLT | M10X40 | 4 |
| 86F | JDR34-086F | BASE | | 1 |
| 87F | JDR34-087F | SCREW | M6X10 | 1 |
| 88F | JDR34-088F | PIN GEAR | | 1 |
| 89F | JDR34-089F | SCREW | M6X10 | 1 |
| 90F | JDR34-090F | TABLE CLAMP | | 1 |
| 91F | JDR34-091F | HEX BOLT | M16X35 | 1 |
| 92F | JDR34-092F | ARM | | 1 |
| 93F | JDR34-093F | TABLE CLAMP | | 1 |
| 94F | JDR34-094F | EXTEND ARM | | 1 |

Wiring Diagram JDR-34 and JDR-34F Radial Drill Press

230V/50Hz/1Phase

