

# JET

**JDS-12**

**300mm DISC SANDER**

**708433M**

**230/50/1**

**PARTS LIST  
ERSATTEILLISTE  
LISTE DE PIECES**

**WMH Tool Group AG**

Bahnstrasse 24, CH – 8603 Schwerzenbach

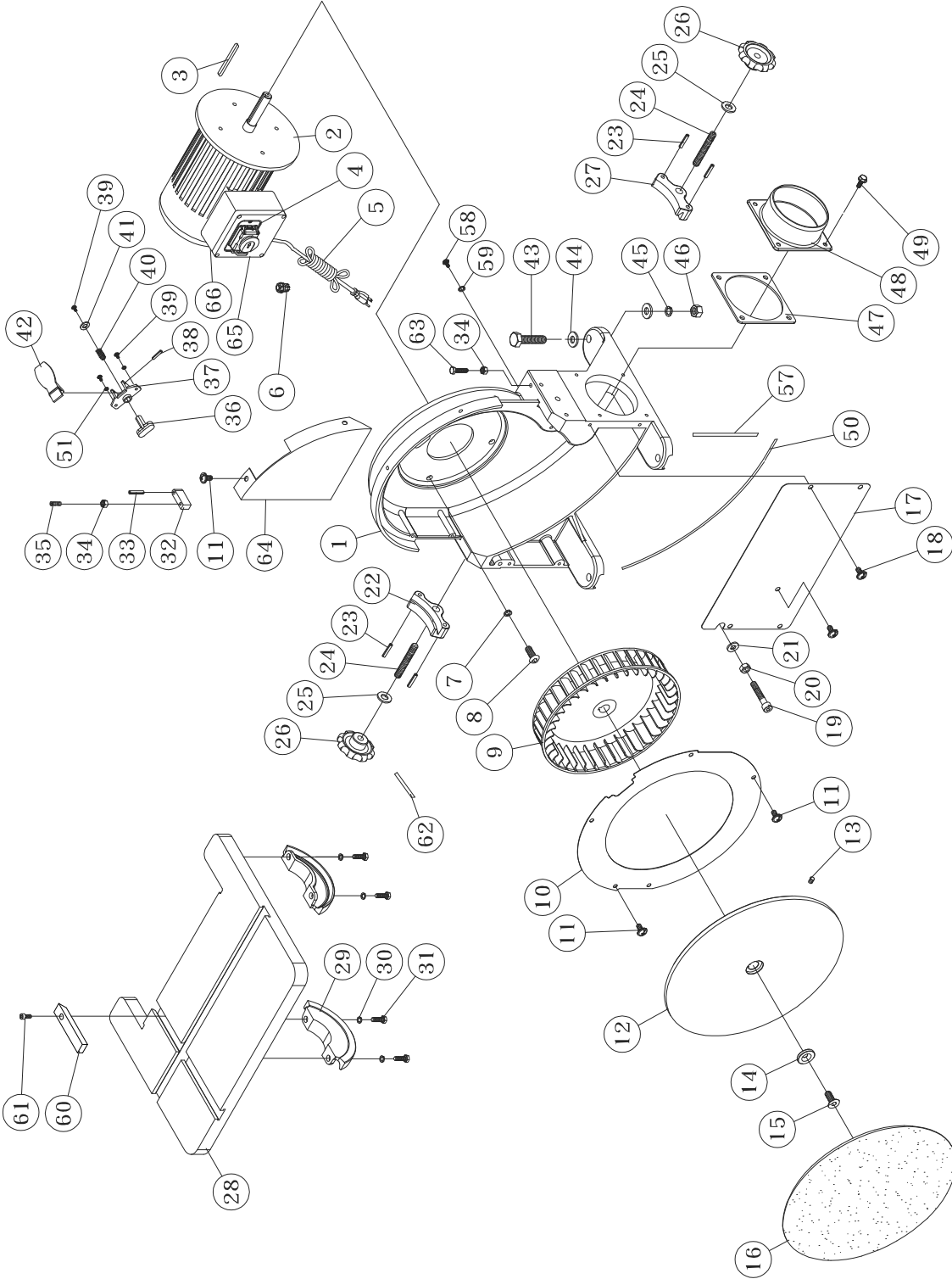
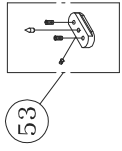
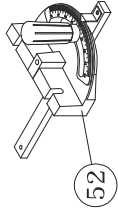
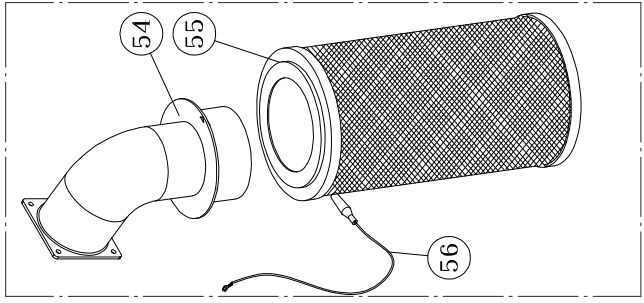
[www.wmhtoolgroup.ch](http://www.wmhtoolgroup.ch); [info@wmhtoolgroup.ch](mailto:info@wmhtoolgroup.ch)

Tel +41 (0) 1 806 47 48

Fax +41 (0) 1 806 47 58



P708433M 01/04



## Parts List For The JDS-12 Benchtop Disc Sander

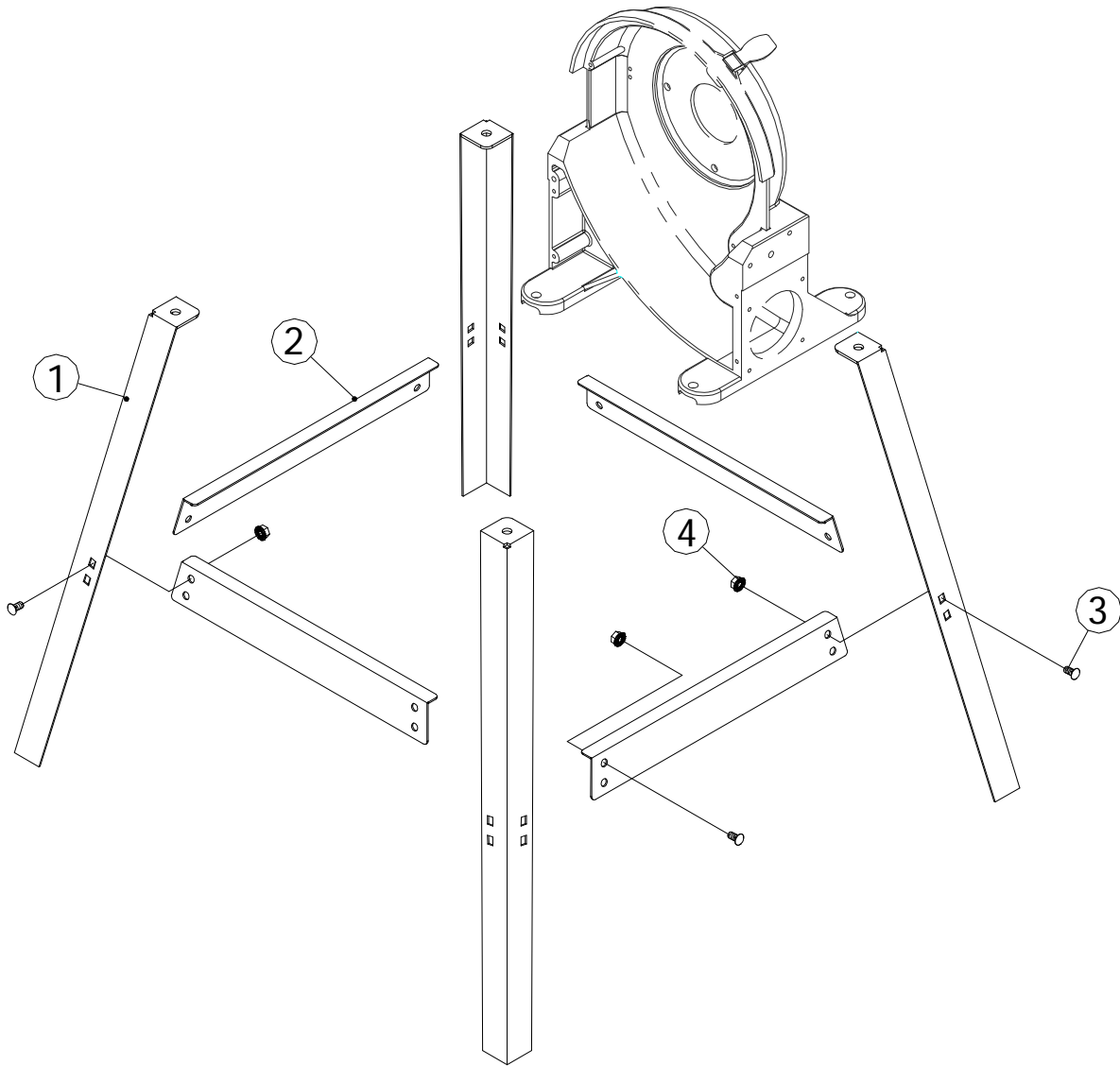
### Disc Sander

Index No.	Part No.	Description	Size	Qty
1	612155	Guard Base		1
2	JDS12-02E	Motor	1Ph, 230V, 50Hz	1
	JDS12B-MFC	Motor Fan Cover (not shown)		1
	JDS12B-MF	Motor Fan (not shown)		1
	JDS12B-CS	Centrifugal Switch (not shown)		1
	JDS12B-CC	Capacitor Cover (not shown)		1
	JDS12B-JBC	Junction Box Cover (not shown)		1
3	KS050565	Key	5x5x65	1
4	170239 E	Switch	KJD-12, 1Ph, 230V, 50Hz	1
5	709411	Strain Relief		1
6	IC612002	Power Cord	CE, 1Ph, 230V, 50Hz	1
7	TS-1551071	Spring Washer	M8	4
8	SJ080400	Pan Head Socket Bolt	M8x20	4
9	612132	Fan Blade	9"	1
10	612133	Partition		1
11	SF069200	Pan Head Bolt w/Flange	M6x8	7
12	612134	Sanding Disc		1
13	SS060200	Set Screw	M6x8	1
14	612113	Washer		1
15	SM089400	Countersunk Head Bolt	M8x16	1
16	57698525	12" Disc Sanding Paper 36 Grit		25
	57698650	12" Disc Sanding Paper 50 Grit		50
	57698750	12" Disc Sanding Paper 60 Grit		50
	57698850	12" Disc Sanding Paper 80 Grit		50
	57698950	12" Disc Sanding Paper 100 Grit		50
	57699050	12" Disc Sanding Paper 120 Grit		50
17	612136	Front Cover		1
18	SF069300	Pan Head Bolt w/Flange	M6x12	5
19	TS-1504071	Socket Head Cap Screw	M8x35	1
20	TS-1540061	Hex Nut	M8	1
21	TS-1550061	Flat Washer	M8x18	1
22	612038	Trunnion Holder (A)		1
23	PS063000	Spring Pin	6x30	4
24	SS081200	Set Screw	M8x60	2
25	TS-1550061	Flat Washer	M8x18	2
26	612098	Knob Handle	M8	2
27	612052	Trunnion Holder (B)		1
28	612135	Table		1
29	612046	Trunnion		2
30	TS-1551061	Lock Washer	M8	4
31	TS-1490021	Hex Head Bolt	M8x16	4
32	612010	Locating Block		1
33	PS053600	Spring Pin	5x36	1
34	TS-1540041	Hex Nut	M6	2
35	TS-1523071	Set Screw	M6x25	1
36	612116	Stop Shaft (ASM)		1
37	612118	Brake Fixed Base		1
38	PS042600	Spring Pin	4x26	1
39	SP040200	Pan Head Bolt	M4x10	3
40	612140	Spring		1
41	WF051210	Flat Washer	M5x12	1

Index No.	Part No.	Description	Size	Qty
42	612115	Stop Plate		1
43	TS-1491061	Hex Head Bolt	M10x40	4
44	TS-1550071	Flat Washer	M10x20	8
45	TS-1551071	Lock Washer	M10	4
46	TS-1540072	Hex Nut	M10	4
47	612137	Packing		1
48	612145	Inlet	4"	1
49	TS-1482031	Hex Head Bolt	M6x16	4
50	612099	Sponge		1
51	TS-1551021	Lock Washer	M4	2
52	AB198101	Miter Gauge Assembly		1
53	AB612143	Circle Gauge Assembly (ASM)		1
57	612117	Sponge Gasket		1
58	SP059200	Pan Head Bolt	M5x8	1
59	WE050000	Star Washer	M5	1
60	612171	Bar		1
61	SR059300	Socket Bolt	M5X12	1
62	612172	Sponge		1
63	SH060600	Hex Head Bolt	M6X30	1
64	612154	Disc Cover		1
65	411056	CE Switch Box Upper Cover		1
66	411055	CE Switch Box		1
*	JDS12B-HK	Hardware Kit (not shown)		
	JDS12B-WL	Warning Label (not shown)		
	JDS12B-ID	I.D. Label (not shown)		
	JDS12B-JL	JET Label (not shown)		

#### Optional Accessory

54	612147	Elbow		1
55	331022	Filter		1
56	331033	Grounding Clip		1



**JDS-12B Stand Assembly (optional accessory)**

Index No.	Part No.	Description	Size	Qty.
1	612141	Stand Leg		4
2	612142	Stand Support		4
3	SC089400	Carriage Bolt	M8x16	16
4	NF081300	Flange Lock Nut	M8	16
*	OS12DS-HK	Hardware Kit (not shown)		

# JDS-12.....708433M

	colour of strands	Litzenfarben	couleur des cordons
BK	black	schwarz	noir
WH	white	weiß	blanc
BU	blue	blau	bleu
YE	yellow	gelb	jaune
RD	red	rot	rouge
BN	brown	braun	brun
GY	grey	grau	gris
GNYE	green-yellow	grün-gelb	vert-jaune
OG	orange	orange	orange
VT	violet	violett	violet

	meaning of symbol	Bedeutung der Zeichen	interprétation
M	motor	Motor	moteur
S	switch	Schalter	interrupteur
C	condenser	Kondensator	condensateur
E	electronic unit	Elektronik Einheit	unité électronique
F	fuse	Sicherung	fusible
RS	reversing switch	Drehrichtungsschalter	commu. droite/gauche
CS	centrifugal switch	Fliehkraftschalter	déclencheur centrifuge
OL	overload cut-off	Überlastschutzschalter	déclencheur surcharge
LS	limit switch	Positionsendschalter	micro

