

J E T

JMD-18VS METALWORKING Mill/Drill

350018M

230/50/1

**PARTS LIST
ERSATZTEILLISTE
LISTE DE PIECES**

WMH Tool Group AG

Bahnstrasse 24, CH – 8603 Schwerzenbach

www.wmhtoolgroup.ch; info@wmhtoolgroup.ch

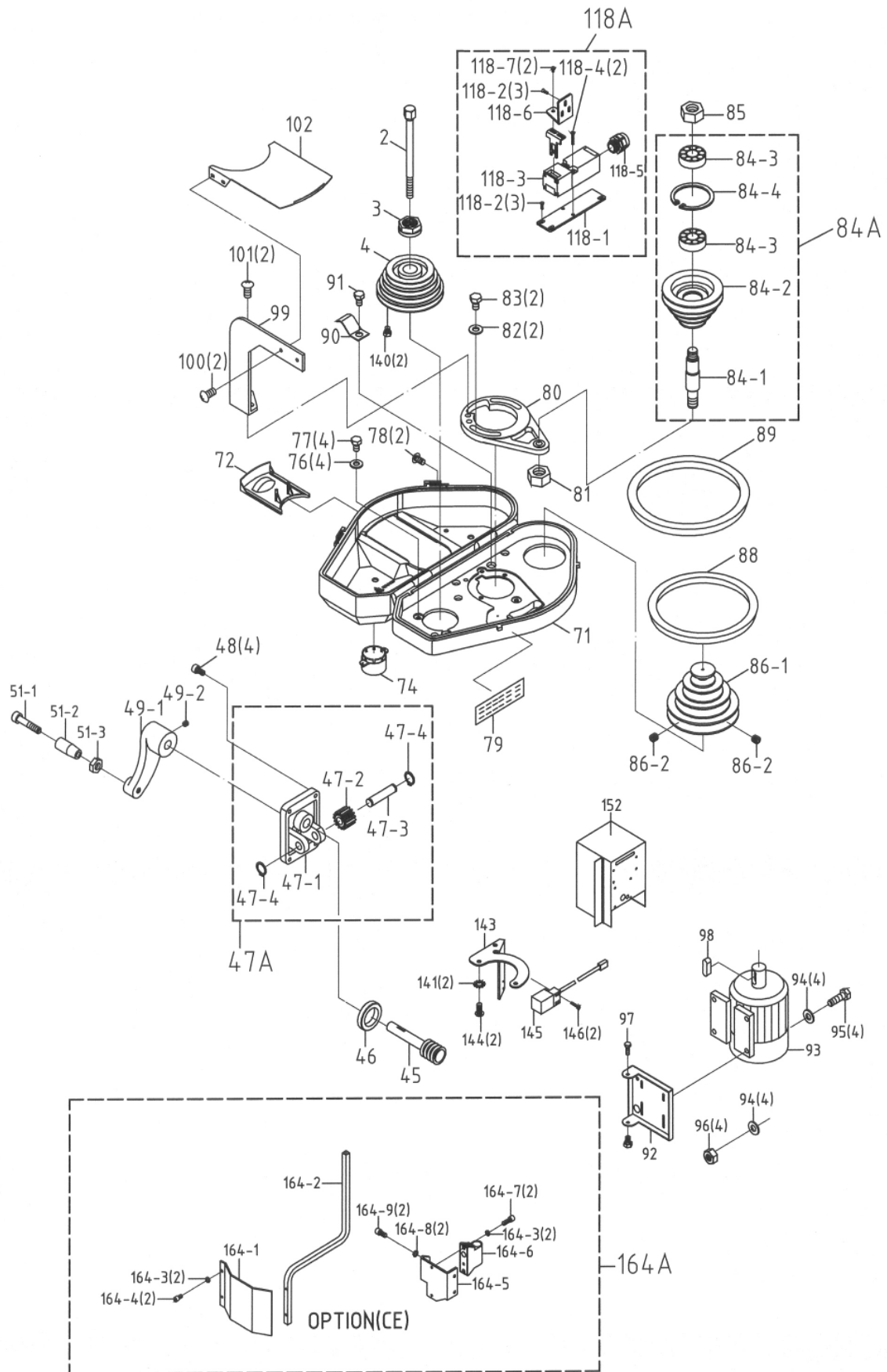
Tel +41 (0) 1 806 47 48

Fax +41 (0) 1 806 47 58

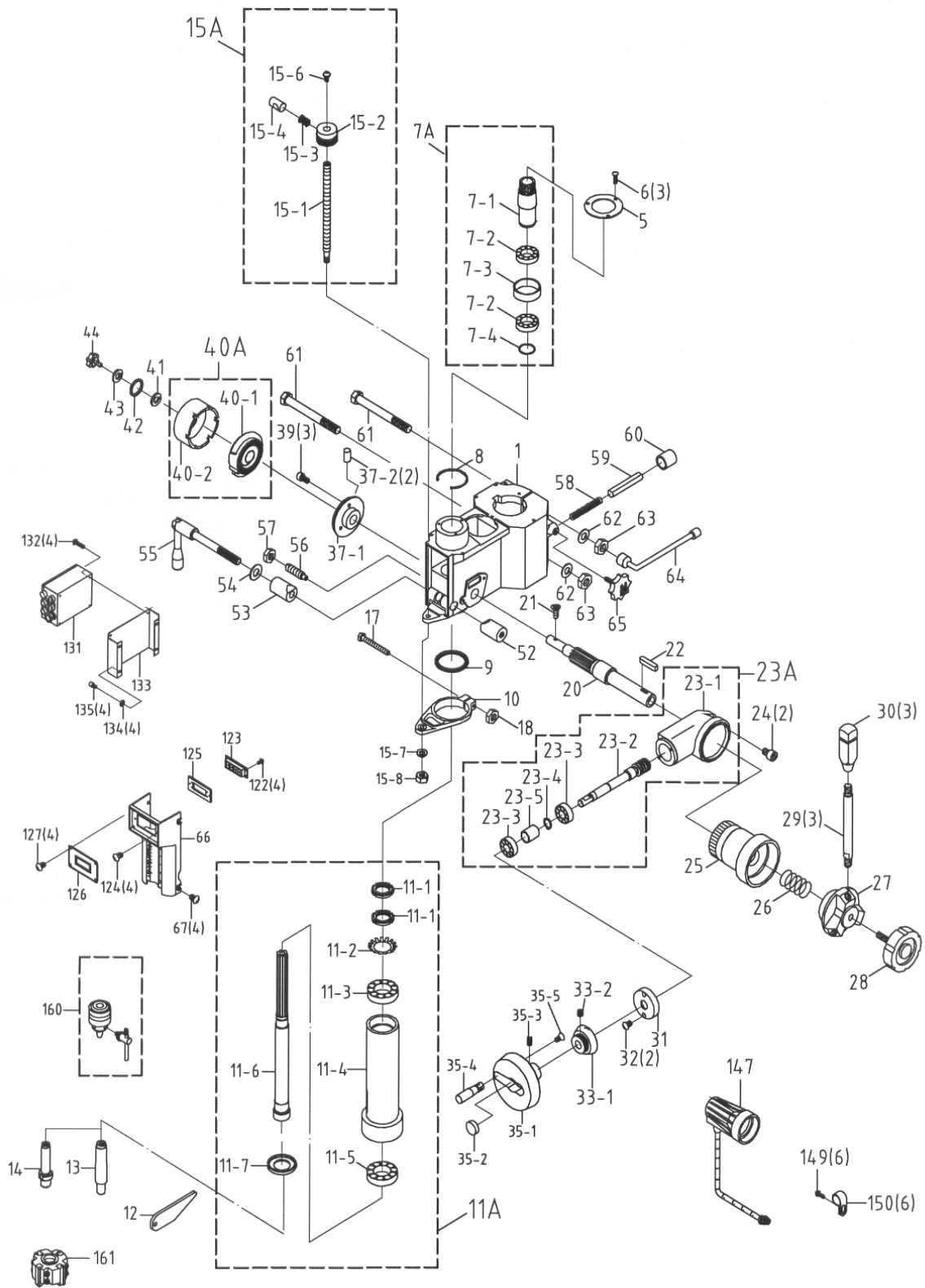


P-350018M 07/04

Breakdown for the JMD-18VS Mill/Drill Transmission Assembly



Breakdown for the JMD-18VS Mill/Drill Head Assembly



**Parts List for the JMD-18VS Mill/Drill
Transmission & Head Assembly**

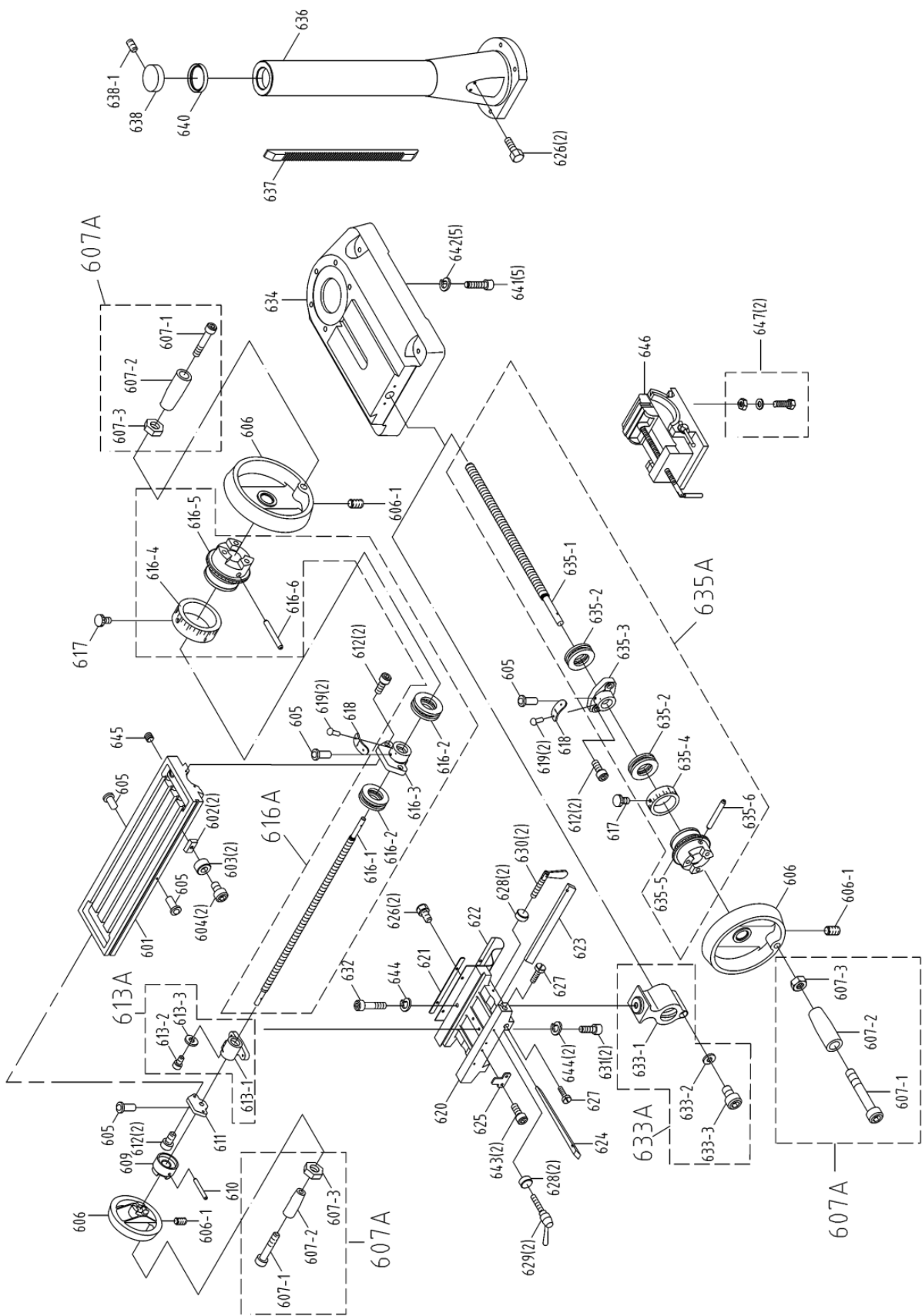
Index No.	Part No.	Description	Size	Qty.
1.....	JMD18N-001	Head Body.....		1
2.....	JMD18VS-001E	Chuck Arbor Bolt.....	MT3 M12xP1.75.....	1
3.....	JMD18-002A	Spindle Lock Nut.....		1
4.....	JMD18-003A	Spindle Pulley.....		1
5.....	JMD18VS-005	Outer Bearing Plate.....	ø105x66x2.5t.....	1
6.....	JMD18-133	Round Head Screw.....	1/4"x3/8".....	3
7A.....	JMD18-006A	Spindle Taper Sleeve Assembly.....		1
7-1.....	JMD18-006	Spindle Taper Sleeve.....		1
7-2.....	BB-6009ZZ	Ball Bearing.....	6009ZZ.....	2
7-3.....	JMD18VS-008	Spacer.....	ø74 x ø68 x22.....	1
7-4.....	JMD18VS-023	Fixed Ring.....	ø2x ø41.....	1
8.....	JMD18VS-009	C-Retainer Ring.....		1
9.....	JMD18-012	Rubber Flange.....		1
10.....	JMD18N-010	Feed Base.....		1
11A.....	JMD18VS-014AE	Rack Sleeve Set.....	MT3.....	1
11-1.....	JMD18-014	Lock Nut.....		2
11-2.....	JMD18VS-137	Lock Washer.....	AW06 ø30.....	1
11-3.....	E30206J	Taper Roller Bearing.....	E30206J.....	1
11-4.....	JMD18-016E	Rack Sleeve.....	MT3.....	1
11-5.....	E30207J	Taper Roller Bearing.....	30207J.....	1
11-6.....	JMD18-017E	Spindle Shaft.....	MT3.....	1
11-7.....	JMD18VS-019	Bearing Cap.....	MT3 R8.....	1
12.....	JMD18-012E	Punch Key.....		1
13.....	JMD18VS-021E	Chuck Arbor.....	MT3 M12xP1.75.....	1
14.....	JMD18VS-020E	Cutter Arbor.....	25.4M12xP1.75.....	1
15A.....	JMD18N-015A	Graduated Rod Assembly.....		1
15-1.....	JMD18N-15-1	Depth Scale Stud.....		1
15-2.....	JMD18N-15-2	Adjustable Stop.....		1
15-3.....	JMD18N-15-3	Spring.....		1
15-4.....	JMD18N-15-4	Push Button.....		1
15-6.....	JMD18VS-15-5	Hex. Socket Cap Screw.....	M5x10L.....	1
15-7.....	JMD18VS-15-6	Washer.....	3/8".....	1
15-8.....	JMD18VS-15-7	Hex Nut.....	3/8".....	1
17.....	TS-0050091	Hex Head Screw.....	1/4"x2".....	1
18.....	TS-0561011	Hex. Nut.....	1/4".....	1
20.....	JMD18-106	Pinion Shaft.....		1
21.....	JMD18VS-188	Flat Cross Head Screw.....	3/16"x3/8"L.....	1
22.....	JMD18VS-142	Key.....	7x7x20L.....	1
23A.....	JMD18N-023A	Gear Housing Assembly.....		1
23-1.....	JMD18N-023	Gear Housing.....		1
23-2.....	JMD18-047	Worm Shaft.....		1
23-3.....	BB-6202Z	Ball Bearing.....	6202ZZ.....	2
23-4.....	JMD18-148	C-ring.....	15.....	1
23-5.....	JMD18VS-035	Bearing Spacer.....	ø 34xø27.5x30L.....	1
24.....	TS-0208021	Hex. Socket Head Screw.....	5/16"x1/2".....	2
25.....	JMD18-107	Worm Gear.....		1
26.....	JMD18-115	Spring.....		1
27.....	JMD18-110	Hub.....		1
28.....	JMD18-038	Knob.....		1
29.....	JMD18N-029	Handle Rod.....		3
30.....	JMD18N-030	Knob.....		3
31.....	JMD18-045	Flange.....		1

Index No.	Part No.	Description	Size	Qty.
32.....	JMD18-047.....	Round Head Screw	3/16"x3/8"	2
33-1	JMD18VS-033E.....	Micro Adjusting Indicator		1
33-2	TS-0267021.....	Set Screw.....	1/4" x1/4"L.....	1
35-1	JMD18VS-035A.....	Feed Handle Wheel Assembly.....		1
35-2	JMD18VS-035-2.....	Cover.....	ø27	1
35-3	JMD18VS-035-3.....	Set Screw.....	M6x8L	1
35-4	JMD18VS-035-4.....	Foldable Handle Bar		1
35-5	JMD18VS-035-5.....	Hex. Socket Headless Screw.....	M6x10L	1
37-1	JMD18VS-105.....	Spring Base.....		1
37-2	JMD18VS-140.....	Spring Pin.....	ø3x12L.....	2
39.....	JMD18-139.....	Round Head Screw	3/16"x3/4"	3
40A.....	JMD18-103A	Spring Cover Assembly.....		1
40-1	JMD18-103.....	Spring Cover		1
40-2	JMD18-104.....	Spring		1
41.....	JMD18VS-187	Washer.....	1/4"x1"x1.5t.....	1
42.....	TS-06080021.....	Washer.....	1/4"	1
43.....	JMD18VS-187	Lock Washer	1/4"x1"x1.5t.....	1
44.....	JMD18VS-085	Plum Screw		1
45.....	JMD18-059.....	Worm Shaft		1
46.....	JMD18-114.....	Bushing		1
47A.....	JMD18-101A	Head Raise Bracket Assembly		1
47-1	JMD18-101.....	Head Raise Bracket		1
47-2	JMD18-060.....	Worm Gear.....		1
47-3	JMD18VS-061	Shaft.....	ø9/16"x64.3L.....	1
47-4	JMD18-154.....	C-ring.....	S14	2
48.....	TS-0207061.....	Hex Socket Cap Screw	1/4"x1"	4
49-1	JMD18VS-058E.....	Head Handle		1
49-2	TS-0271061.....	Sex Screw	5/16"x5/16"L	1
51-1	JMD18VS-022	Hex. Socket Head Screw	3/8"-16UNCx3-1/2"L.....	1
51-2	JMD18VS-051-2.....	Knob.....		1
51-3	TS-0561031.....	Hex. Nut	W3/8"-16UNC	1
52.....	JMD18-026.....	Fixed Collar(Thread)		1
53.....	JMD18-025.....	Fixed Collar		1
54.....	JMD18VS-054	Washer.....	1/2"x7/8"x2t	1
55.....	JMD18-024E	Handle Rod	165L	1
56.....	JMD18VS-027	Screw Key	3/8"-16UNC-38L.....	1
57.....	TS-0561031.....	Hex. Nut	3/8"	1
58.....	JMD18-062.....	Spring.....		1
59.....	JMD18-063.....	Pin		1
60.....	JMD18-079.....	Rubber Collar		1
61.....	JMD18VS-052	Bolt	5/8"-150L.....	2
62.....	TS-0680081.....	Washer.....	5/8"x1-9/16"x3t.....	2
63.....	TS-0561071.....	Hex. Nut	5/8"	2
64.....	JMD18-050E	Lock Handle		1
65.....	JMD18VS-065	Thumb Screw	3/8"-16UNC	1
66.....	JMD18VSN-066-1	Front Cover Plate		1
67.....	JMD18N-067	Round Head Screw	M6x12	4
71.....	JMD18-069.....	Poly Belt Cover		1
72.....	JMD18-069A	Pulley Cover.....		1
74.....	JMD18-069-1.....	Spindle Cover.....		1
76.....	TS-0680032.....	Flat Washer	5/16"	4
77.....	TS-0051011.....	Hex Head Bolt	5/16"x1/2"	4
78.....	JMD18-078E	Pan Head Screw	M4x25L	2
79.....	JMD18-SCE	Spindle Speed Chart.....		2
80.....	JMD18N-080	Pulley Base		1
81.....	TS-0561071.....	Hex. Nut	5/8"	1

Index No.	Part No.	Description	Size	Qty.
82.....	TS-0680031.....	Washer.....	5/16"x23x2t.....	2
83.....	TS-0051071.....	Hex. Head Bolt.....	5/16"x1-1/2".....	2
84A.....	JMD18-075A.....	Inter Pulley Assembly.....		1
84-1	JMD18-075.....	Inter Pulley Shaft.....		1
84-2	JMD18-073.....	Inter Pulley.....		1
84-3	BB-6204Z.....	Ball Bearing.....	6204ZZ.....	2
84-4	JMD18-010.....	C-ring.....	2x52.....	1
85.....	TS-0561071.....	Hex Nut.....	5/8".....	1
86-1	JMD18VS-070.....	Motor Pulley.....		1
86-2	TS-0270021.....	Set Screw.....	5/16"x5/16"L.....	2
88.....	VB-B33.....	V-Belt.....	B-33.....	1
89.....	VB-B42.....	V-Belt.....	B-42.....	1
90.....	JMD18VS-077.....	Wire Relief Retainer.....		1
91.....	TS-0051011.....	Hex Head Screw.....	5/16"x1/2".....	1
92.....	JMD18-066E.....	Motor Mount Plate.....		1
93.....	JMD18VS-093.....	Motor.....	2HP/230V/50Hz/1PH..	1
.....	JMD18-MLE.....	Motor Label for CE (not shown).....		1
94.....	TS-0680031.....	Washer.....	5/16".....	8
95.....	TS-0051051.....	Hex Head Bolt.....	5/16"x1"L.....	4
96.....	TS-0561021.....	Hex Nut.....	5/16".....	4
97.....	TS-0061011.....	Hex Head Bolt.....	7/16"x3/4"L.....	2
98.....	JMD18VS-159.....	Key.....	8x8x37L.....	1
99.....	JMD18-99E.....	Guard Bracket.....		1
100.....	JMD18-100E.....	Pan Head Screw.....	M5x8L.....	2
101.....	TS-1534042.....	Pan Head Screw.....	M6x12L.....	2
102.....	JMD18-102E.....	Protective Plate.....		1
118A	JMD18-118AE.....	Micro Switch Bracket Set.....		1
118-1	JMD18-118-1E.....	Micro Switch Bracket.....		1
118-2	JMD18-118-2E.....	Machine Screw.....	M4x12L.....	6
118-3	JMD18-118-3E.....	Limit Switch.....		1
118-4	JMD18-118-4E.....	Hex Socket Head Screw.....	5/32"UNFx1"L.....	2
118-5	JMD18VS-118-5E.....	Cable Connector.....		1
118-6	JMD18-118-6E.....	Micro Switch Bracket.....		1
118-7	JMD18VS-118-7E.....	Pan Head Screw.....	M4x8L.....	2
122.....	JMD18VS-122.....	Pan Head Screw.....	M3x6L.....	4
123.....	JMD18VS-066-2.....	Monitor.....		1
124.....	JMD18VS-066-3.....	Pan Head Screw.....	M3x10L.....	4
125.....	JMD18VS-066-4.....	Monitor Plate.....		1
126.....	JMD18VS-066-5.....	Cover Plate.....		1
127.....	JMD18VS-066-6.....	Machine Screw.....	M3x5L.....	4
131.....	JMD18VS-130AE.....	Electrical Box Assembly.....		1
132.....	JMD18VS-132.....	Pan Head Screw.....	M5x10L.....	4
133.....	JMD18VS-128E.....	Switch Plate.....		1
134.....	JMD18VS-134.....	Washer.....	1/4".....	4
135.....	JMD18VS-135.....	Pan Head Screw.....	1/4"x1/2"L.....	4
140.....	JMD18VS-140.....	Hex Head Screw.....	1/4"x3/8"L.....	2
141.....	JMD18VS-141.....	Star Washer.....	M4.....	2
142.....	JMD18VS-142.....	Pan Head Screw.....	M4.....	2
143.....	JMD18VS-143.....	Switch Plate.....		1
144.....	JMD18VS-144.....	Screw.....	M5x20L.....	2
145.....	JMD18VS-145.....	Limit Switch.....		1
146.....	JMD18VS-146.....	Pan Head Screw.....	M3x16L.....	2
147.....	JMD18VS-166E.....	Lamp Assembly for CE.....		1
149.....	JMD18VS-121-2E.....	Pan Head Screw.....	M4x12L.....	6
150.....	JMD18VS-122E.....	Wire Relief Retainer.....	3/4".....	6
152.....	JMD18VS-152.....	Control Box Set.....		1

Index No.	Part No.	Description	Size	Qty.
160.....	JMD18VS-113E.....	Drill Chuck w/Chuck Key.....	1/2"-JT6.....	1
161.....	JMD18VS-086.....	Milling Cutter.....		1
164A ..	JMD18VS-164E.....	Chuck Guard Assembly.....		1
164-1 ..	JMD18VS-164-1E.....	Chuck Guard.....		1
164-2 ..	JMD18VS-164-2E.....	Chuck Guard Supporting Rod.....		1
164-3 ..	JMD18VS-164-3E.....	Spring Washer.....	M5.....	4
164-4 ..	JMD18VS-164-4E.....	Pan Head Screw.....	M5x10L.....	2
164-5 ..	JMD18VS-164-5E.....	Chuck Guard Bracket.....		1
164-6 ..	JMD18VS-164-6E.....	Rotary Supporting Base.....		1
164-7 ..	JMD18VS-164-7E.....	Pan Head Screw.....	M5x15L.....	2
164-8 ..	JMD18VS-164-8E.....	Spring Washer.....	M6.....	2
164-9 ..	JMD18VS-164-9E.....	Pan Head Screw.....	M6x15L.....	2

Breakdown for the JMD-18VS Mill/Drill Table, Base, and Column Assembly



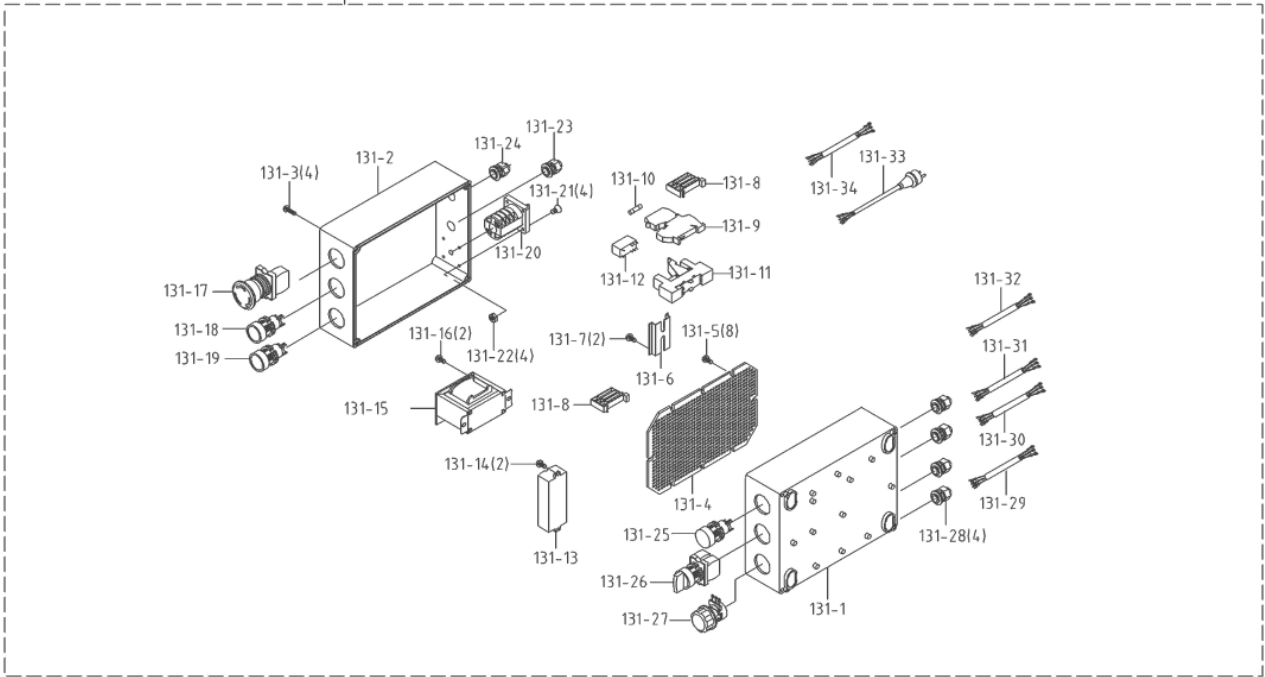
**Parts List for the JMD-18VS Mill/Drill
Table, Base, and Column Assembly**

Index No.	Part No.	Description	Size	Qty.
601.....	JMD18-228.....	Table	31L	1
602.....	JMD18-229.....	Fixed Block.....	2
603.....	JMD18-230.....	Movable Ring	2
604.....	TS-0207021	Hex Socket Head Screw	1/4"x1/2".....	2
605.....	JMD18-368.....	Oil Ball	1/4".....	5
606.....	JMD18-201.....	Table Handle Wheel.....	3
606-1	TS-0267041	Set Screw.....	1/4"x3/8".....	3
607A	JMD18-201A	Handle Assembly	3
607-1	JMD18-201-1	Hex Socket Head Screw	3/8"x16UNC	3
607-2	JMD18-201-2	Knob.....	3
607-3	JMD18-201-3	Hex Nut	3/8".....	3
609.....	JMD18-220.....	Table Clutch.....	1
610.....	JMD18-366.....	Pin	5x38	1
611.....	JMD18-222.....	Left Flange	1
612.....	TS-0208062	Hex Socket Head Screw	5/16"x1".....	6
613A	JMD18-223AE.....	Table Nut Set	1
613-1	JMD18-223E	Table Nut.....	TM23.7*P2.5.....	1
613-2	TS-1502041	Cheese Head Mach Screw	M5x16	1
613-3	TS-1550031	Flat Washer.....	M5.....	1
616A	JMD18-224AE.....	Table Screw Assembly.....	1
616-1	JMD18-224E	Table Lead Screw	TM23.7*P2.5.....	1
616-2	BB-51103	Thrust Bearing.....	51103.....	2
616-3	JMD18-226.....	Right Flange.....	1
616-4	JMD18-202-1E	Graduated Dial.....	1
616-5	JMD18-202.....	Dial Clutch.....	1
616-6	JMD18-366.....	Pin	5x38L	1
617.....	JMD18N-617	Link Screw.....	2
618.....	JMD18-121.....	Link Plate.....	2
619.....	JMD18-204-2	Rivet.....	2mm	4
620.....	JMD18-216.....	Center Base	31L	1
621.....	JMD18-219.....	Antidust Plate	1
622.....	JMD18-217.....	Antidust Plate Assembly	1
623.....	JMD18-227.....	Gib Strip	31L	1
624.....	JMD18-207.....	Gib Strip	31L	1
625.....	JMD18-214.....	Fixed Block.....	1
626.....	TS-0051011	Hex Head Screw	5/16"x1/2".....	4
627.....	JMD18-212.....	Gib Strip Bolt.....	2
628.....	JMD18N-628	Bushing	4
629.....	JMD18-213-1	Locking Handle	2
630.....	JMD18-213.....	Leaf Screw	2
631.....	TS-0208061	Hex Socket Head Screw	5/16"x1".....	2
632.....	TS-0051101	Hex Socket Head Screw	5/16"x2-1/4".....	1
633A	JMD18-215AE.....	ACME Nut Assembly.....	1
633-1	JMD18-215E	ACME Nut	TM23.7*P2.5.....	1
633-2	TS-1550031	Flat Washer.....	M5.....	1
633-3	TS-1502041	Hex Socket Head Screw	M5x16	1
634.....	JMD18N-634	Base	1
635A	JMD18-205AE.....	ACME Nut Assembly.....	1
635-1	JMD18-205E	Cross Lead Screw	TM23.5*P2.5.....	1
635-2	BB-51103	Thrust Bearing.....	51103.....	2
635-3	JMD18-204.....	Square Flange.....	1
635-4	JMD18-202-1E	Graduated Dial.....	1

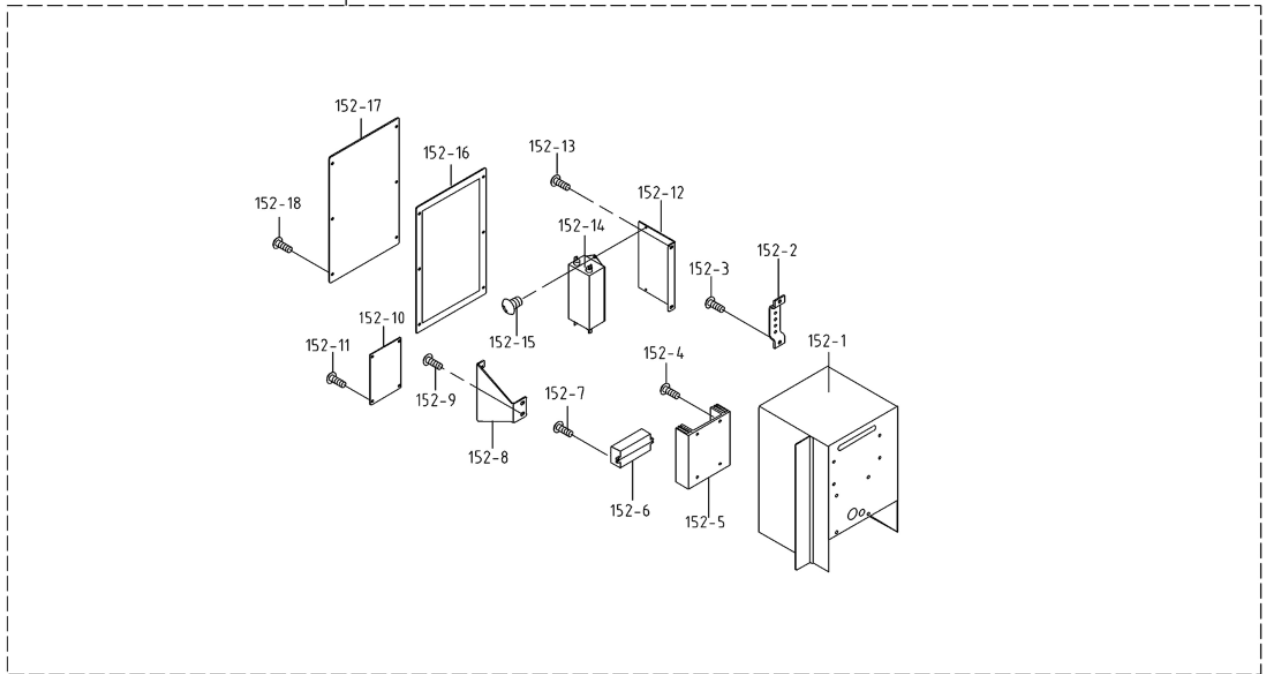
Index No.	Part No.	Description	Size	Qty.
635-5	JMD18-202	Dial Clutch		1
635-6	JMD18-366	Pin	5x38mm	1
636	JMD18N-636	Column Base		1
637	JMD18N-637	Rack	600.5L	1
638	JMD18-211	Column Cap		1
638-1	TS-0270021	Set Screw	5/16"x5/16"	1
640	JMD18-209	Column Flange Ring		1
641	JMD18N-641	Hex Socket Cap Bolt	5/8"x2-1/2"	5
642	TS-0720131	Lock Washer	5/8"	5
643	TS-0208022	Hex Socket Head Screw	5/16"x1/2"	2
644	JMD18N-644	Lock Washer	5/16"	3
645	JMD18N-645	Plug	PT1/4"x3/8"	1
646	365534	Vise		1
647	365534-01E	Hardware Package(Bolt, Nut,and Washer)	M12	2

Breakdown for the JMD-18VS CE Mill/Drill Electrical Box Assembly

131



152

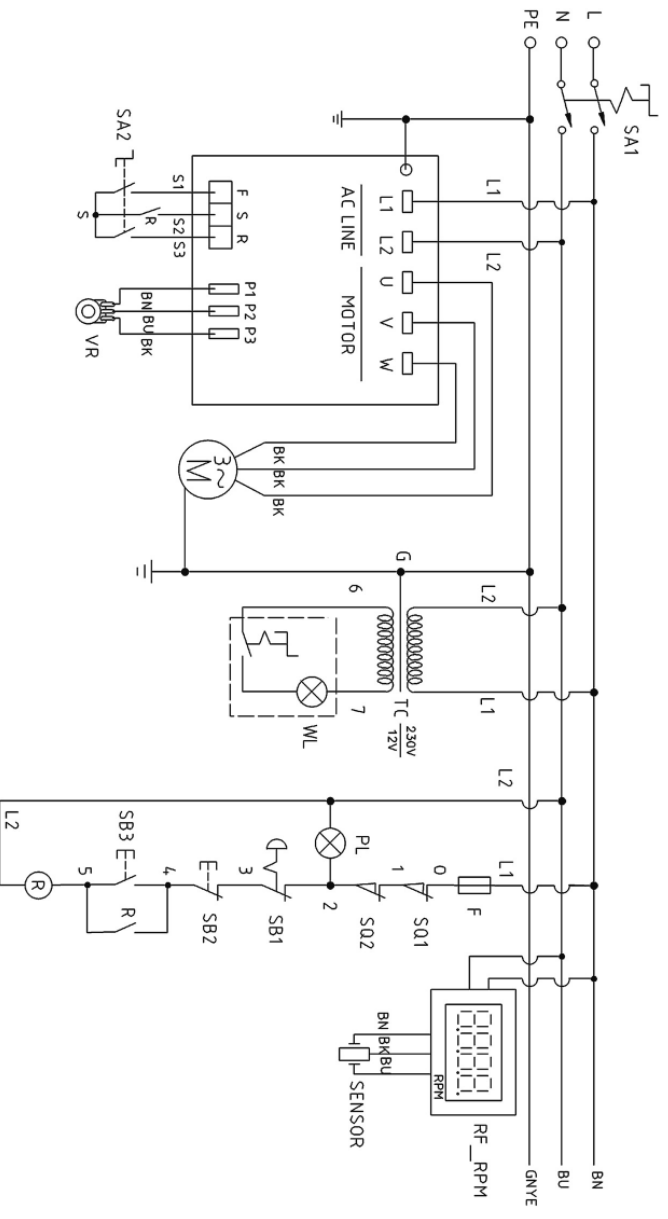
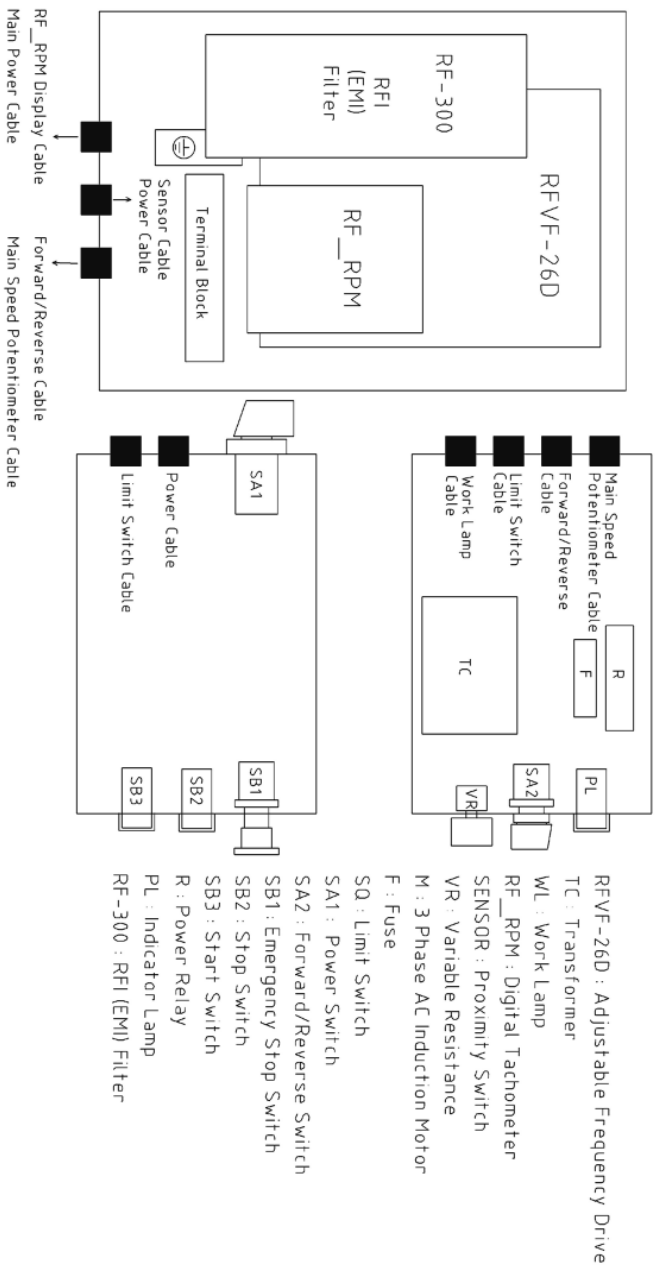


**Parts List for the JMD-18VS CE Mill/Drill
Electrical Box Assembly**

Index No.	Part No.	Description	Size	Qty.
152-1	JMD18VS-152-1	Control Box		1
152-2	JMD18VS-152-2	Ground Copper Plate		1
152-3	JMD18VS-152-3	Cross Round Head Screw		2
152-4	JMD18VS-152-4	Cross Round Head Screw		4
152-5	JMD18VS-152-5	Inverter		1
152-6	JMD18VS-152-6	Terminal Base		12
152-7	JMD18VS-152-7	Cross Round Head Screw		2
152-8	JMD18VS-152-8	Bracket		1
152-9	JMD18VS-152-9	Cross Round Head Screw		2
152-10	JMD18VS-152-10	Cyclometer		1
152-11	JMD18VS-152-11	Cross Round Head Screw		2
152-12	JMD18VS-152-12	Wave Filter		1
152-13	JMD18VS-152-13	Cross Round Head Screw		2
152-14	JMD18VS-152-14	Wave Filter Bracket		1
152-15	JMD18VS-152-15	Cross Round Head Screw		2
152-16	JMD18VS-152-16	Gear Box Gasket		1
152-17	JMD18VS-152-17	Switch Cover		1
152-18	JMD18VS-152-18	Cross Round Head Screw		6
131-1	JMD18-131-1E	Box Base		1
131-2	JMD18-131-2E	Box Cover		1
131-3	JMD18VS-131-3E	Cross Round Head Screw	M4x10L	4
131-4	JMD18VS-131-4E	Base Plate		1
131-5	JMD18VS-131-5E	Screw	M4x8L	8
131-6	JMD18VS-131-6E	Bracket		1
131-7	JMD18VS-131-7E	Screw	M4x8L	2
131-8	JMD18VS-131-8E	Fixed Plate		2
131-9	JMD18VS-131-9E	Fuse Block	281-661	1
131-10	JMD18VS-131-10E	Fuse	2A2CM	1
131-11	JMD18VS-131-11E	Relay Block	RT78625 300V12A	1
131-12	JMD18VS-131-12E	Power Relay	RT424524 AC24V	1
131-13	JMD18VS-131-13E	Terminal Block	264-321	15
131-14	JMD18VS-131-14E	Screw	M4x8L	2
131-15	JMD18VS-131-15E	Transformer		1
131-16	JMD18VS-131-16E	Screw	M4x8L	4
131-17	JMD18VS-131-17E	Emergency Stop Switch	XB5-AS542	1
131-18	JMD18VS-131-18E	Stop Switch	XB7-EA421(1b)R	1
131-19	JMD18VS-131-19E	Start Switch	XB7-EA31(1a)G	1
131-20	JMD18VS-131-20E	Power Switch	GN20 380V 5.5KW	1
131-21	JMD18VS-131-21E	Cross Round Head Screw	M4x15L	4
131-22	JMD18VS-131-22E	Hex.Hut	M4	4
131-23	JMD18VS-131-23E	Cable Setting Nut	PG13.5	1
131-24	JMD18VS-131-24E	Cable Setting Nut	PG11	1
131-25	JMD18VS-131-25E	Indicator Lamp	XB7-EV61(W)	1
131-26	JMD18VS-131-26E	Forward switch/ Reverse switch	XB5-AD33	1
131-27	JMD18VS-131-27E	Variable Resistance		1
131-28	JMD18VS-131-28E	Cable Setting Nut	PG13.5	4
131-29	JMD18VS-131-29E	Working Lamp Cable		1
131-30	JMD18VS-131-30E	Micro Switch Cable		1
131-31	JMD18VS-131-31E	Motor Velocity Pilot Wire		1
131-32	JMD18VS-131-32E	Switch Cable		1
131-33	JMD18VS-131-33E	Power Cable w / Plug		1
131-34	JMD18VS-131-34E	Micro Switch Cable		1
132	JMD18VS-132	RFVF-26D Adjustable frequency drive(NOT SHOW)		1

Index No.	Part No.	Description	Size	Qty.
133.....	JMD18VS-133	RF-RPM Digital Tachometer(NOT SHOW).....	1
134.....	JMD18VS-134	SENSOR Proximity Switch(NOT SHOW)	1
135.....	JMD18VS-135	RF-300 EMI-filter(NOT SHOW).....	1

JMD-18VS 230/50/1



JMD-18VS

350018M

	colour of strands	Litzenfarben	couleur des cordons
BK	black	schwarz	noir
WH	white	weiß	blanc
BU	blue	blau	bleu
YE	yellow	gelb	jaune
RD	red	rot	rouge
BN	brown	braun	brun
GY	grey	grau	gris
GN			
YE	green-yellow	grün-gelb	vert-jaune
OG	orange	orange	orange
VT	violet	violett	violet

	meaning of symbol	Bedeutung der Zeichen	interprétation
RFVF	Adjustable Frequency Drive	Frequenzumformer	convertisseur de fréquence
TC	transformer	Transformator	transformateur
WL	work lamp	Maschinenleuchte	lampe
RF_RPM	digital tachometer	Digitale Drehzahlanzeige	affichage numérique
Sensor	proximity switch	Näherungsschalter	commutateur d'approximation
VR	variable resistance	Drehzahl Potentiometer	potentiomètre de vitesse
M	main motor	Hauptmotor	moteur principal
F	fuse	Sicherung	fusible
SQ	limit switch	Positionsendschalter	micro
SA1	power switch	Türschalter	Interrupteur de port
SA2	forward switch/ reverse switch	Schalter Rechtslauf/ Linkslauf	bouton a droite/ gauche
SB1	emergency stop switch	Not-Aus Schalter	arrêt d'urgence
SB2	stop switch	Aus-Schalter	bouton arrêt
SB3	start switch	Ein-Schalter	bouton marche
R	power relay	Schütz	contacteur
PL	indicator lamp	Anzeigenlampe	lampe d'indication
RF-300	RFI(EMI) Filter	EMS-Filter	IME-Filtre