

# **JET**

**JMD-2 Milling Drilling Center**

**50000030M...230V/50-60Hz/1**

**PARTS LIST  
ERSATZTEILLISTE  
LISTE DE PIECES**

**WMH Tool Group AG**

Bahnstrasse 24, CH – 8603 Schwerzenbach

[www.wmhtoolgroup.ch](http://www.wmhtoolgroup.ch); [info@wmhtoolgroup.ch](mailto:info@wmhtoolgroup.ch)

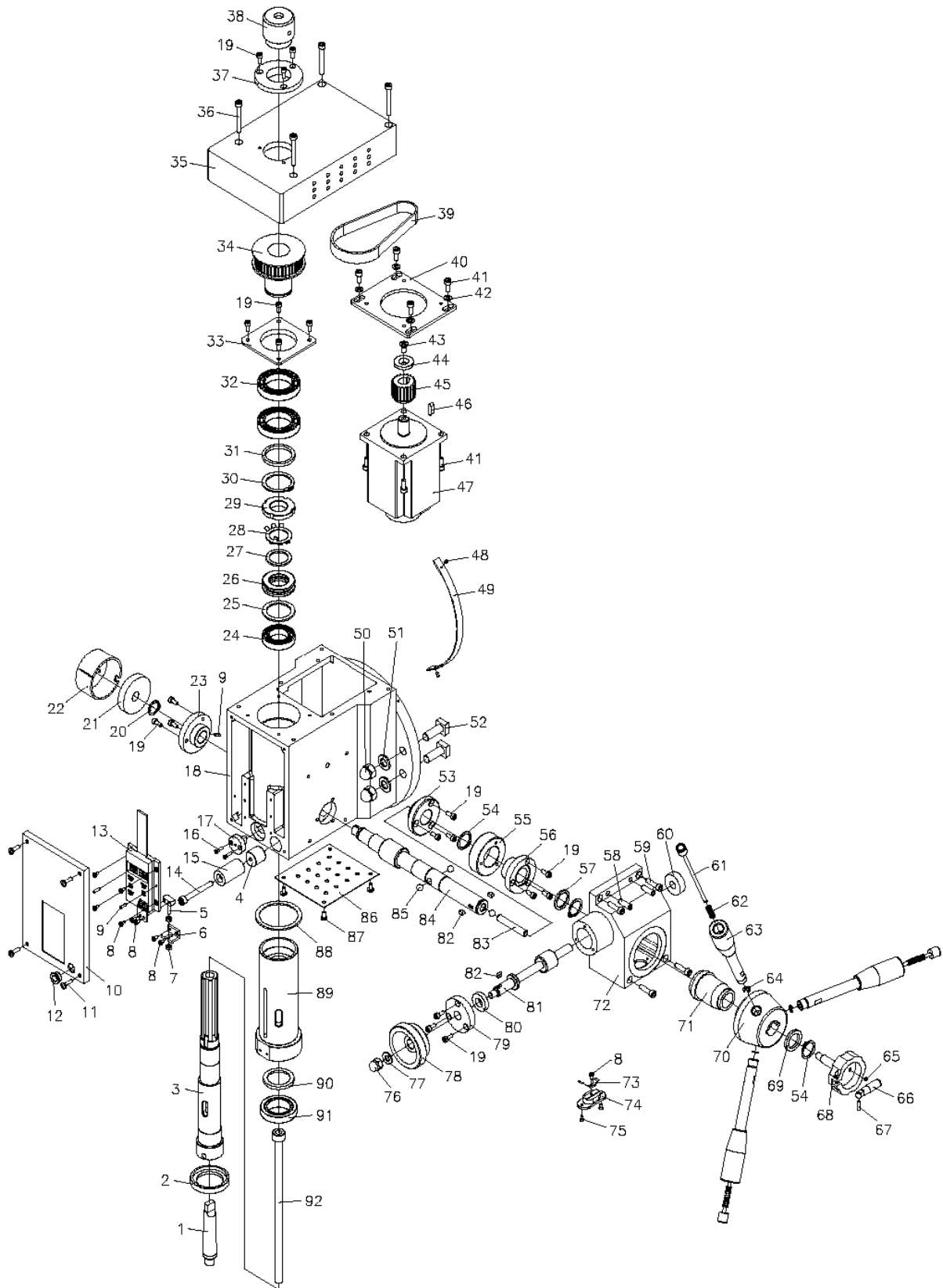
Tel +41 (0) 44 806 47 48

Fax +41 (0) 44 806 47 58

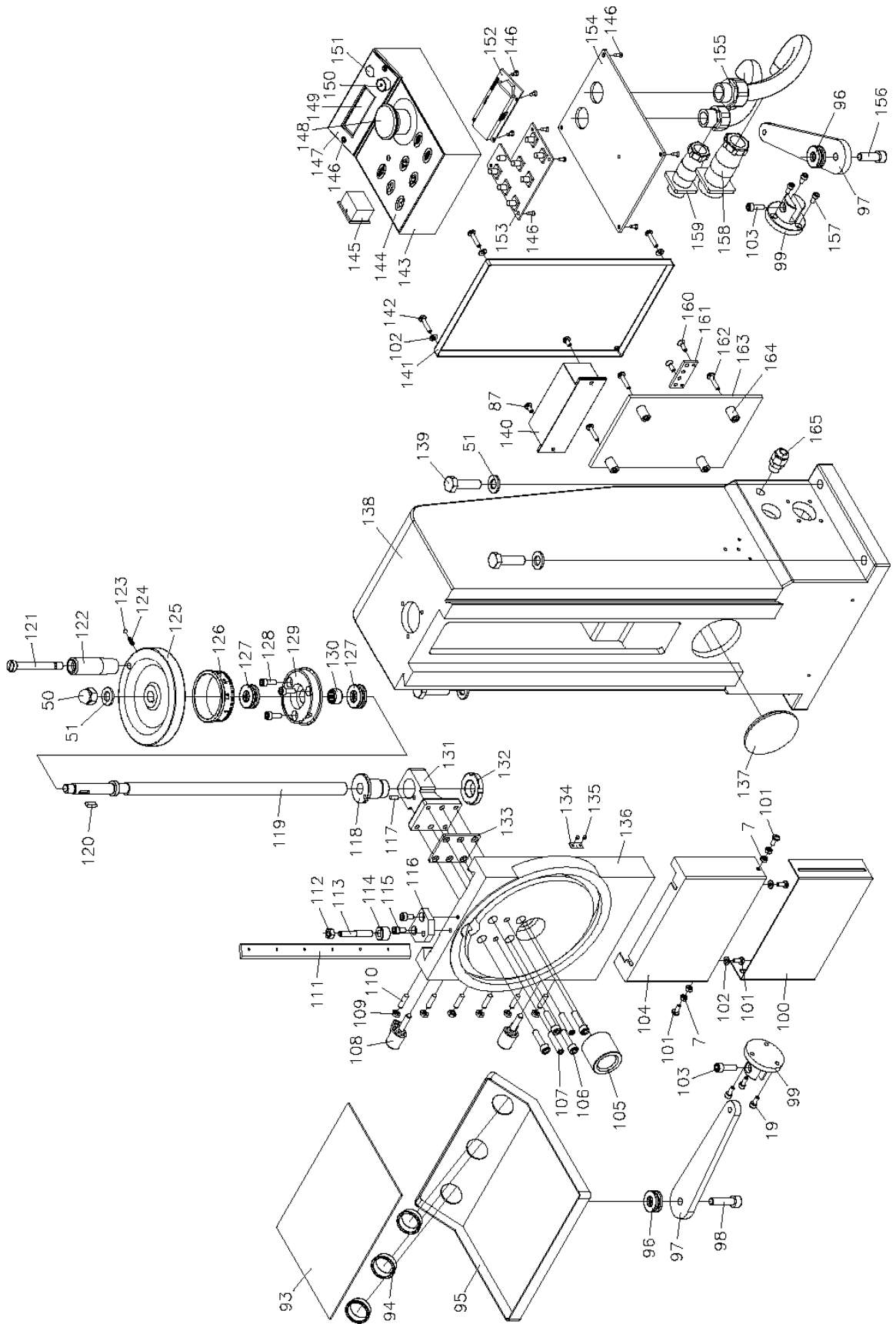
P-50000030M 03/08



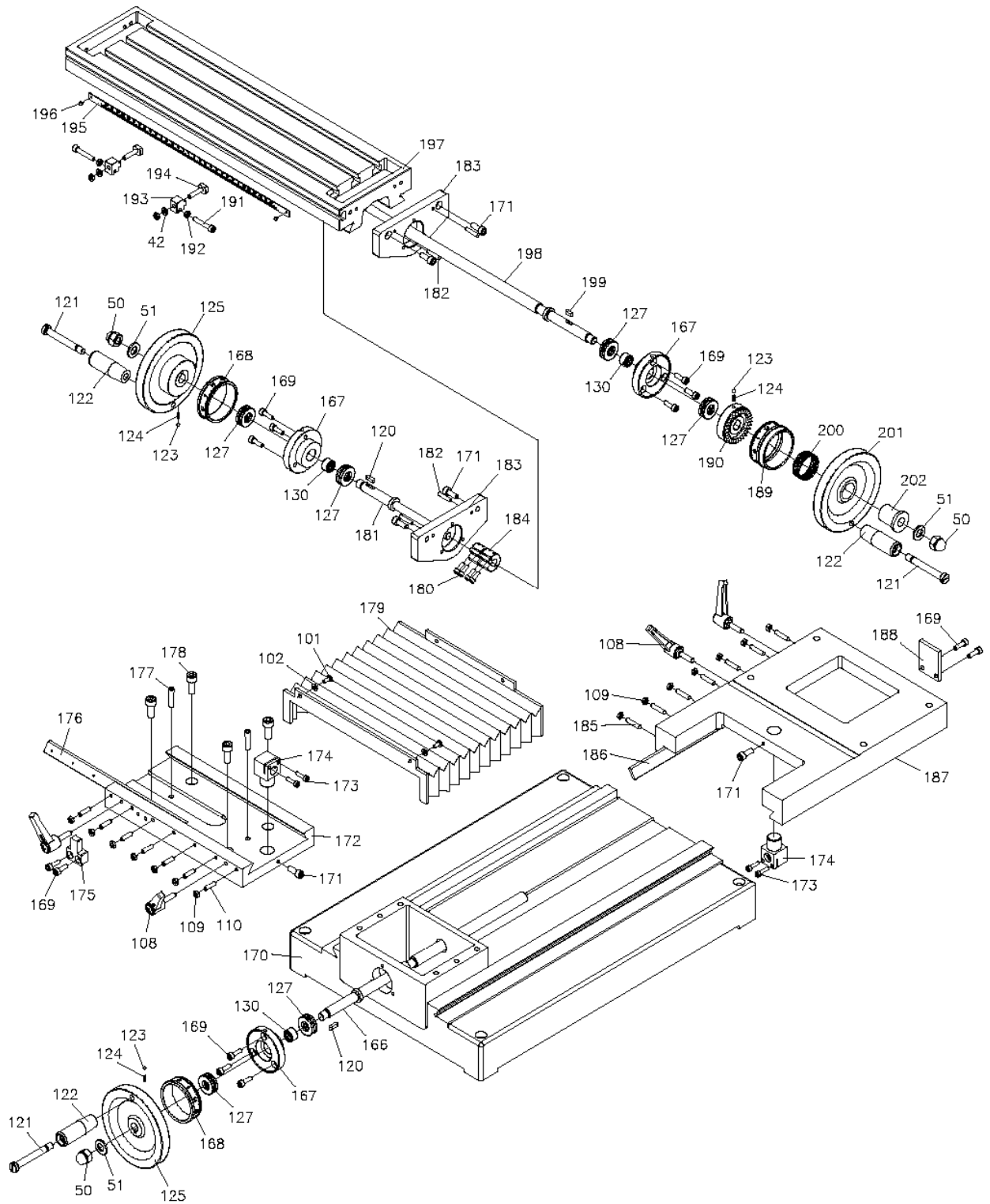
# For JMD-2 Milling Drilling Center



# For JMD-2 Milling Drilling Center



# For JMD-2 Milling Drilling Center



**Parts List For JMD-2 Milling Drilling Center**

<b>Index No.</b>	<b>Part No.</b>	<b>Description</b>	<b>Size</b>	<b>Q'ty</b>
1	JMD2-001	Taper shank	B12	1
2	JMD2-002	Spindle oil envelop circle		1
3	JMD2-003	Spindle		1
4	JMD2-004	Spindle lock sleeve II		1
5	JMD2-005	Fixup screw		1
6	JMD2-006	Fixup support		1
7	JMD2-007	Nut	M4	6
8	JMD2-008	Screw	M3x6	9
9	JMD2-009	Spring pin	3x10	3
10	JMD2-010	Spindle box cover (front)		1
11	JMD2-010	Screw	M4x14	4
12	JMD2-012	Small jacket		1
13	JMD2-013	Display		1
14	JMD2-014	Screw	M6x50	1
15	JMD2-015	Spindle lock sleeve I		1
16	JMD2-016	Screw	M3x12	2
17	JMD2-017	Spindle sleeve Orientation shaft		1
18	JMD2-018	Spindle box cover (front)		1
19	JMD2-019	Screw	M4x10	22
20	JMD2-020	Spring check ring	16	1
21	JMD2-021	Check spring		1
22	JMD2-022	Check spring cover		1
23	JMD2-023	Left support flange		1
24	JMD2-024	Ball bearing 1080905		1
25	JMD2-025	Gasket III		1
26	JMD2-026	Thrust ball bearing		1
27	JMD2-027	Gasket II		1
28	JMD2-028	Lock washer	24x34	1
29	JMD2-029	Round nut	M24x1.5	1
30	JMD2-030	Spring washer	35	1
31	JMD2-031	Spindle adjust pad		1
32	JMD2-032	Ball bearing 1080907		2
33	JMD2-033	Bearing set flange		1
34	JMD2-034	Spindle timing pulley		1
35	JMD2-035	Spindle box Cover		1
36	JMD2-036	Screw	M5x40	4
37	JMD2-037	Flange		1
38	JMD2-038	Spindle top cover		1
39	JMD2-039	Timing belt	64	1
40	JMD2-040	Motor support plate		1
41	JMD2-041	Screw	M5x12	8
42	JMD2-042	Washer	5	6
43	JMD2-043	Screw	M6x12	1

**Parts List For JMD-2 Milling Drilling Center**

<b>Index No.</b>	<b>Part No.</b>	<b>Description</b>	<b>Size</b>	<b>Q'ty</b>
44	JMD2-044	Washer IV		1
45	JMD2-045	Motor timing pulley		1
46	JMD2-046	Key	5x16	1
47	JMD2-047	Motor		1
48	JMD2-048	Rivet	2x8	2
49	JMD2-049	Angle ruler		1
50	JMD2-050	Cap nut	M10	8
51	JMD2-051	Washer	10	12
52	JMD2-052	Square bolt	M10x45	4
53	JMD2-053	Left support flange I		1
54	JMD2-054	Spring check ring	20	3
55	JMD2-055	Bevel wheel		1
56	JMD2-056	Bevel wheel fixup steel sleeve		1
57	JMD2-057	Washer I		1
58	JMD2-058	Taper pin	6x20	2
59	JMD2-059	Screw	M5x20	4
60	JMD2-060	Set sleeve		1
61	JMD2-061	Control shaft assembly		3
62	JMD2-062	Compress spring	0.7x6x25	3
63	JMD2-063	Control shaft assembly		3
64	JMD2-064	Spring washer	4	3
65	JMD2-065	Small magnetism block		1
66	JMD2-066	Assistant small handle		1
67	JMD2-067	Round pin	3x14	1
68	JMD2-068	Worm wheel lock handle		1
69	JMD2-069	Gear shaft adjust pad		1
70	JMD2-070	Big handle seat		1
71	JMD2-071	Guide electricity ring assembly		1
72	JMD2-072	Worm support box body		1
73	JMD2-073	Guide electricity bar		1
74	JMD2-074	Fixup support		1
75	JMD2-075	Screw	M3x6	2
76	JMD2-076	Cap nut M8	M8	1
77	JMD2-077	Washer	8	1
78	JMD2-078	Worm gear handle		1
79	JMD2-079	Worm flange		1
80	JMD2-080	Worm adjust pad		1
81	JMD2-081	Worm		1
82	JMD2-082	key	4x8	3
83	JMD2-083	Lock small shaft		1
84	JMD2-084	Gear shaft		1
85	JMD2-085	Steel ball	8	3
86	JMD2-086	Motherboard		1
87	JMD2-087	Screw	M4x8	6
88	JMD2-088	Sleeve limited washer		1

**Parts List For JMD-2 Milling Drilling Center**

<b>Index No.</b>	<b>Part No.</b>	<b>Description</b>	<b>Size</b>	<b>Q'ty</b>
89	JMD2-089	Spindle sleeve		1
90	JMD2-090	Spindle sleeve envelop oil circle		1
91	JMD2-091	Prick ball bearing 32906		1
92	JMD2-092	Suspend lock shank		1
93	JMD2-093	Rubber pad		1
94	JMD2-094	Protect line sleeve		3
95	JMD2-095	Tray assembly		1
96	JMD2-096	Thrust ball baring 8100		2
97	JMD2-097	Connect shank		2
98	JMD2-098	Screw	M8x30	1
99	JMD2-099	Fixup seat		2
100	JMD2-100	Z axis cover (II)		1
101	JMD2-101	Screw	M4x10	6
102	JMD2-102	Washer	4	8
103	JMD2-103	Screw	M6x20	2
104	JMD2-104	Rubber pad		1
105	JMD2-105	Set shank		1
106	JMD2-106	Screw	M6x25	4
107	JMD2-107	Screw taper pin	6x30	2
108	JMD2-108	Lock handle		6
109	JMD2-109	Nut	M5	20
110	JMD2-110	Set screw	M5x20	13
111	JMD2-111	Z axis wedge		1
112	JMD2-112	Nut	M6	1
113	JMD2-113	Taper pin	6x45	1
114	JMD2-114	Quit sleeve		1
115	JMD2-115	Screw	M5x10	2
116	JMD2-116	Reposition fix block		1
117	JMD2-117	Column pin		1
118	JMD2-118	Z axis nut		1
119	JMD2-119	Z axis leadscrew		1
120	JMD2-120	Key	4x14	3
121	JMD2-121	Handle sleeve screw		4
122	JMD2-122	Handle sleeve		4
123	JMD2-123	Ball	4	4
124	JMD2-124	Compress	0.5x4x12	4
125	JMD2-125	Handlewheel ( I )		3
126	JMD2-126	Scale ring		1
127	JMD2-127	Thrust ball bearing 8101		8
128	JMD2-128	Screw	M5x14	3
129	JMD2-129	Z axis bearing seat		1
130	JMD2-130	Bearing HK121610		4
131	JMD2-131	Z axis nut seat		1

### Parts List For JMD-2 Milling Drilling Center

Index No.	Part No.	Description	Size	Q'ty
132	JMD2-132	Notch round nut		1
133	JMD2-133	Adjust washer		1
134	JMD2-134	Zero label		1
135	JMD2-135	Rivet	2x2	2
136	JMD2-136	Z axis slide plate		1
137	JMD2-137	Protect cover		1
138	JMD2-138	Fuselage		1
139	JMD2-139	Bolt	M10x35	4
140	JMD2-140	Fliter		1
141	JMD2-141	Back cover		1
142	JMD2-142	Scew	M4x20	4
143	JMD2-143	Control box body		1
144	JMD2-144	Control box body		1
145	JMD2-145	Switch		1
146	JMD2-146	Screw	ST2.9x9.5	14
147	JMD2-147	Support plate		1
148	JMD2-148	Emergency buttom		1
149	JMD2-149	Plastic glass		1
150	JMD2-150	Fuse seat		1
151	JMD2-151	Green light (big)		1
152	JMD2-152	Display		1
153	JMD2-153	Buttom plate		1
154	JMD2-154	Fix assembly		1
155	JMD2-155	Tube connect		1
156	JMD2-156	Screw	M8x25	1
157	JMD2-157	Screw	M4x8	3
158	JMD2-158	Connect		1
159	JMD2-159	Connect		1
160	JMD2-160	Screw	M4x12	2
161	JMD2-161	Grounding line		1
162	JMD2-162	Screw	M4x20	4
163	JMD2-163	PC Board		1
164	JMD2-164	Nylon mat		4
165	JMD2-165	Draw lock		1
166	JMD2-166	Y axis leadscrew		1
167	JMD2-167	Y axis bearing seat		3
168	JMD2-168	Scale ring (I)		2
169	JMD2-169	Screw	M5x16	13
170	JMD2-170	Base		1
171	JMD2-171	Screw	M6x16	6
172	JMD2-172	Saddle		1
173	JMD2-173	Screw	M4x16	4
174	JMD2-174	Copper nut		2



**Parts List For JMD-2 Milling Drilling Center**

<b>Index No.</b>	<b>Part No.</b>	<b>Description</b>	<b>Size</b>	<b>Q'ty</b>
175	JMD2-175	Fixup bump block		1
176	JMD2-176	X axis wedge		1
177	JMD2-177	Round pin	6x28	2
178	JMD2-178	Screw	M8x20	4
179	JMD2-179	Y axis guide protect cover		1
180	JMD2-180	Screw	M4x12	4
181	JMD2-181	Leadscrew shaft		1
182	JMD2-182	Round taper pin	4x22	4
183	JMD2-183	Bearing seat fix plate		2
184	JMD2-184	Connect shaft organ		1
185	JMD2-185	Set screw	M5x25	7
186	JMD2-186	Y axis wedge		1
187	JMD2-187	Y axis slide plate		1
188	JMD2-188	Limited block		1
189	JMD2-189	Scale ring ( II )		1
190	JMD2-190	Clutch		1
191	JMD2-191	Screw	M5x30	2
192	JMD2-192	Nut	M5	4
193	JMD2-193	Movement support		2
194	JMD2-194	T bolt		2
195	JMD2-195	Rule		1
196	JMD2-196	Revit	2.5x6	2
197	JMD2-197	Worktable		1
198	JMD2-198	X-axis leadscrew		1
199	JMD2-199	Key	4x12	1
200	JMD2-200	Compress spring		1
201	JMD2-201	Handlewheel (II)		1
202	JMD2-202	Lock sleeve		1

# JMD-2....5000030M

230V/ 50-60Hz/ 1

