

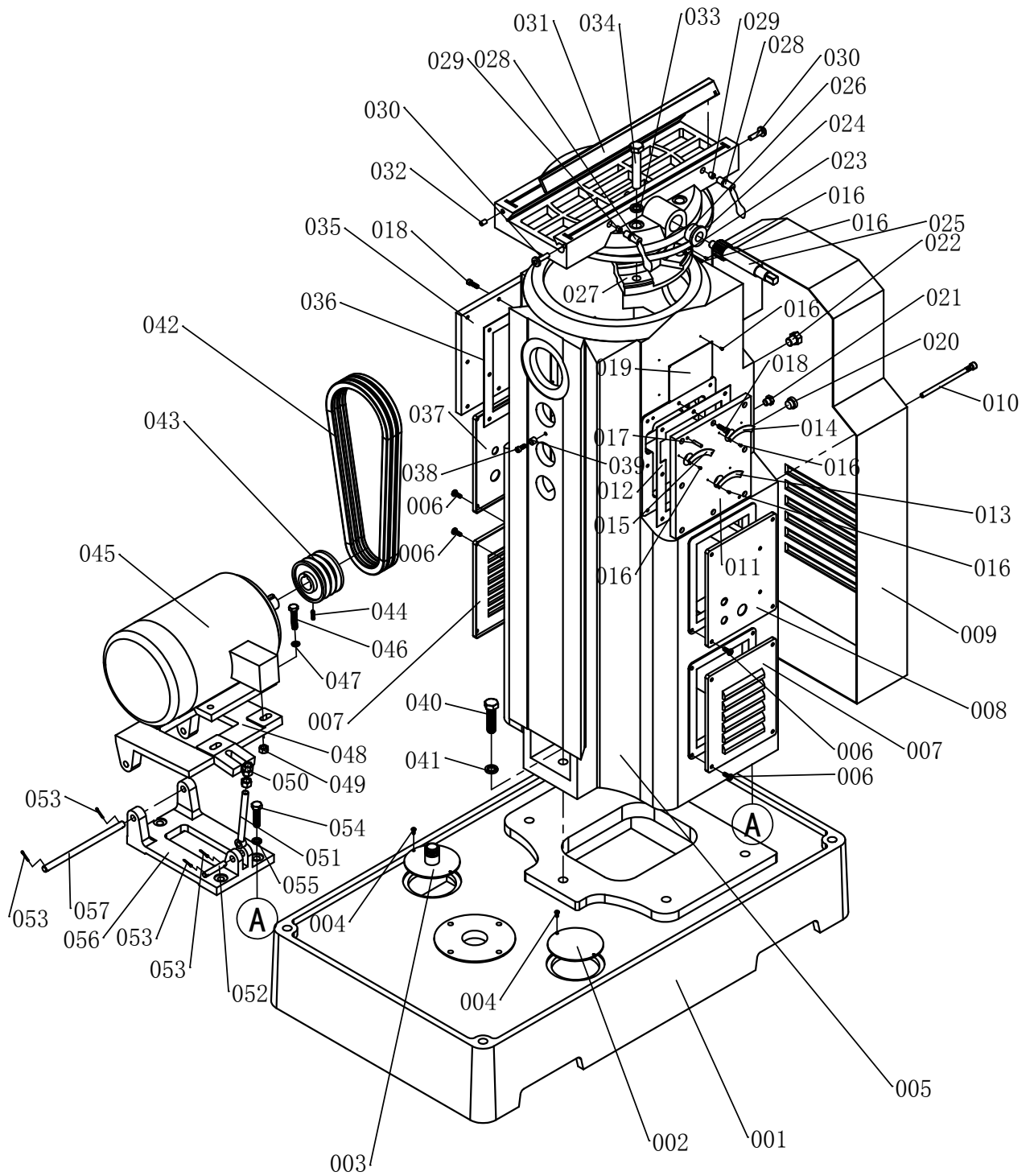
**XZ6326B UNIVERSAL MILLING/DRILLING  
MACHINE**

**EXPLOSION DIAGRAM**

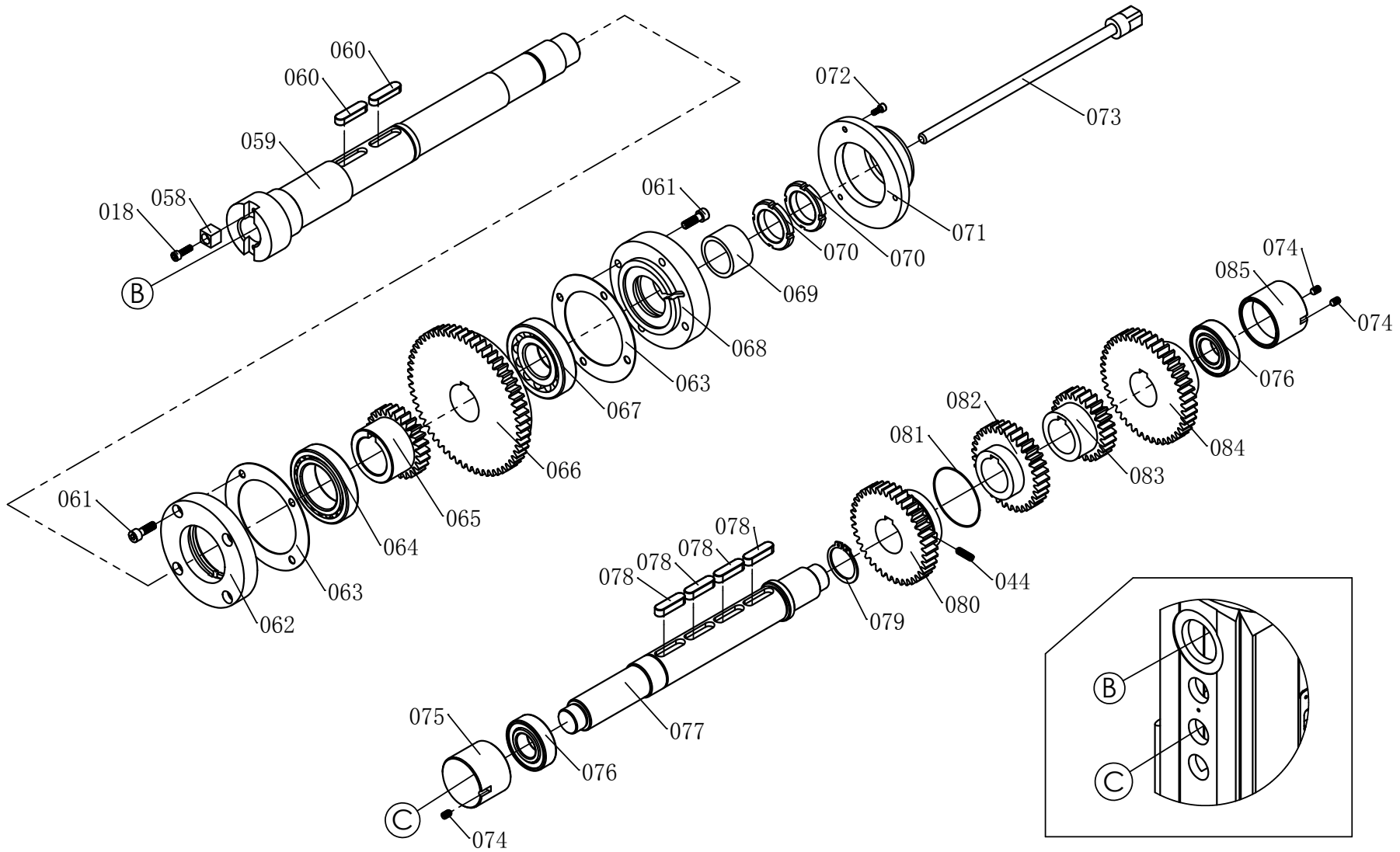
# CONTENTS

- I. 01 Column & base part
- II. 02 Knee part
- III. 02 Knee part  
Power lifting & falling structure
- IV. 03 Table part
- V. 04 Feeding box part
- VI. 05 Ram part
- VII. 06 Headstock part

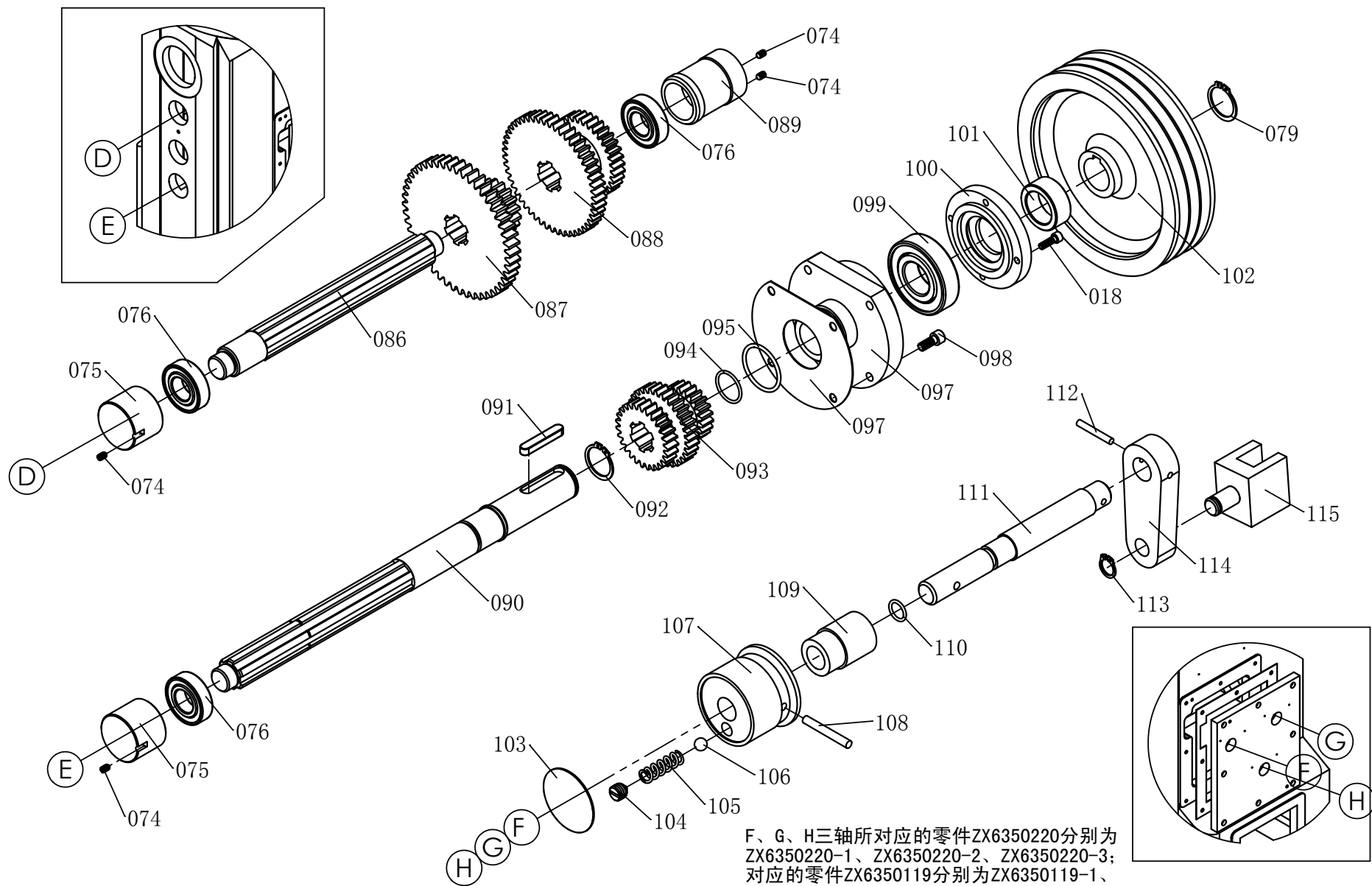
# 01 Column & Base part



# 01 Column & Base Part



# 01 Column & Base Part



F、G、H三轴所对应的零件ZX6350220分别为ZX6350220-1、ZX6350220-2、ZX6350220-3；对应的零件ZX6350119分别为ZX6350119-1、ZX6350119-1、ZX6350119-2。

## 01 Column & base part

No.	Name	Qty
01001	Base	1
01002	Cover	1
01003	Cover	1
01004	M4X10 Cross recessed pan head screw	4
01005	Column	1
01006	M6X16 Cross recessed pan head screw	16
01007	Cover board	2
01008	Cover board	1
01009	Back cap	1
01010	Bolt	6
01011	Cover board	1
01012	Oilproof rubber washer	1
01013	Indicator drop	1
01014	Indicator drop	1
01015	Indicator drop	1
01016	2.5X4 Rivet	14
01017	5X25 Taper bolt	2
01018	M6X20 Hexagon socket head cap screw	22
01019	Indicator drop	1
01020	M16X1.5 Oil gage	1
01021	M10X1X8 Oil plug	1
02022	M16X1.5X8 Oil plug	1
01023	Indicator drop	1
01024	Angle scale	1
01025	Gear shaft	1
01026	Supporting sleeve	1
01027	Spider wheel	1
01028	M12X58X25 Handlebar	2
01029	Pressure block	2

# 01 Column & base part

No.	Name	Qty
01030	Adjusting screw	2
01031	Wedge	1
01032	Oil cup	2
01033	16 Spring washer	4
01034	M16X90 Hexagon head bolt	4
01035	Cover board	1
01036	Oilproof rubber washer	1
01037	Cover board	1
01038	M6X16 Hexagon socket head cap screw	2
01039	Stop	1
01040	M16X60 Hexagon head bolt	5
01041	16 Spring washer	1
01042	Texrope belt	3
01043	Belt pulley	1
01044	Slotted taper end fixed screw M8X16	2
01045	Motor	1
01046	M10X45 Hexagon head bolt	4
01047	10 Spring washer	4
01048	Base plate	1
01049	M10 Hexagon nut	4
01050	M12 Hexagon nut	3
02051	Adjusting screw	1
01052	Shaft	1
01053	2.5X16 Cotter pin	4
01054	M12X45 Hexagon head bolt	3
01055	12 Spring washer	3
01056	motor support	1
01057	Shaft	1
01058	Key	2

## 01 Column & base part

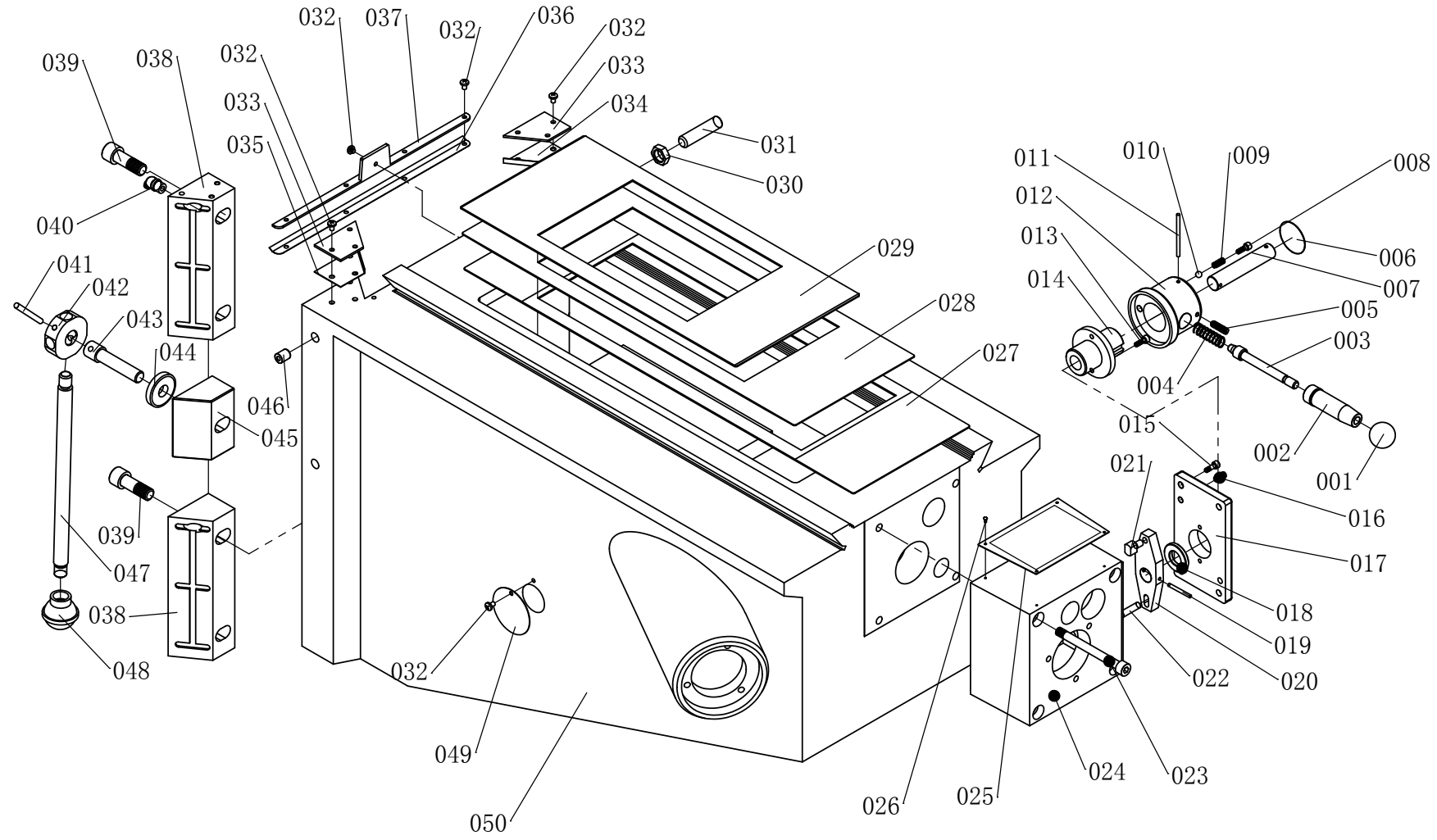
No.	Name	Qty
01059	Spindle	1
01060	12X45 Flat key	2
01061	M8X25 Hexagon socket head cap screw	8
01062	End cover	1
01063	Oilproof rubber washer	2
01064	50X90X23 Tapered roller bearing	1
01065	Gear	1
01066	Gear	1
01067	40X90X25.25 Tapered roller bearing	1
01068	End cover	1
01069	Bush	1
01070	M39X1.5 Round nut	2
01071	Cover	1
01072	M5X12 Hexagon socket head cap screw	3
01073	Tie rod	1
01074	Slotted taper end fixed screw M6X10	7
01075	plug	3
01076	25X52X15 Deep groove ball bearing	5
01077	Shaft	1
01078	10X36 Key	4
01079	35 Elastic damping ring	2
02080	Gear	1
01081	Iron wire $\phi$ 1X220	1
01082	Gear	1
01083	Gear	1
01084	Gear	1
01085	plug	1
01086	Spline shaft	1
01087	Gear	1

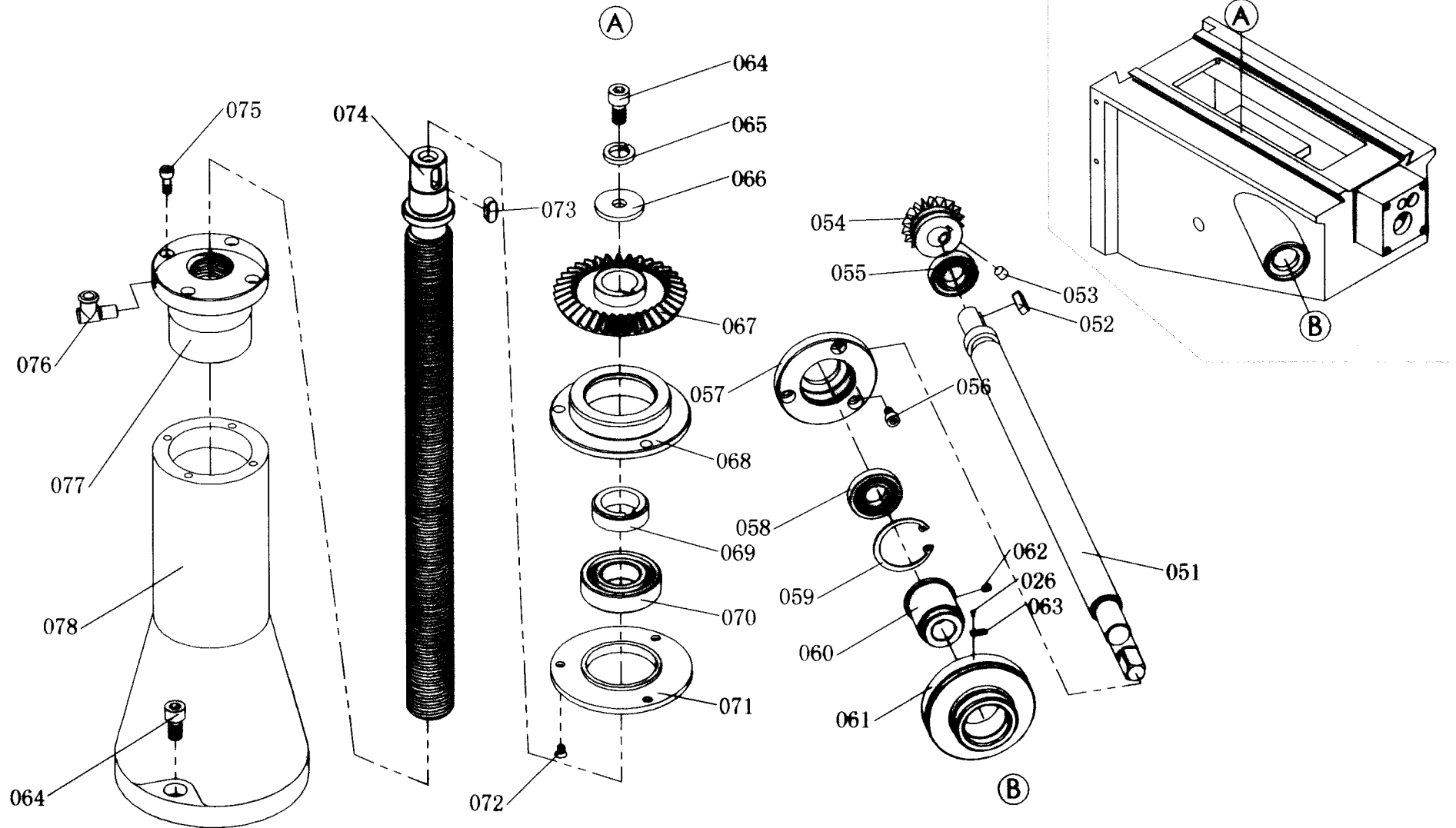


## 01 Column & base part

No.	Name	Qty
01088	Gear	1
01089	plug	1
01090	Spline shaft	1
01091	10X55 Flat key	1
01092	34 Elastic damping ring	1
01093	Gear	1
01094	30X2.65 O-seal ring	1
01095	45X3.55 O-seal ring	1
01096	Oilproof rubber washer	1
01097	Flange	1
01098	M8X20 Hexagon socket head cap screw	4
01099	35X80X21 Deep groove ball bearing	1
01100	Blanking cover	1
01101	Bush	1
01102	Belt pulley	1
01103	Indicator drop	3
01104	Slotted taper end fixed screw M10X10	3
01105	1.6X8X30 pressure spring	3
01106	8 steel ball	3
01107	Handle seat	3
01108	5X40 Taper pin	3
02109	Bush	3
01110	11.2X2.65 O-seal ring	3
01111	Shaft	3
01112	4X30 Taper pin	3
01113	Plate	3
01114	12 Distance ring	3
01115	Shifting fork	3

# 02 knee part

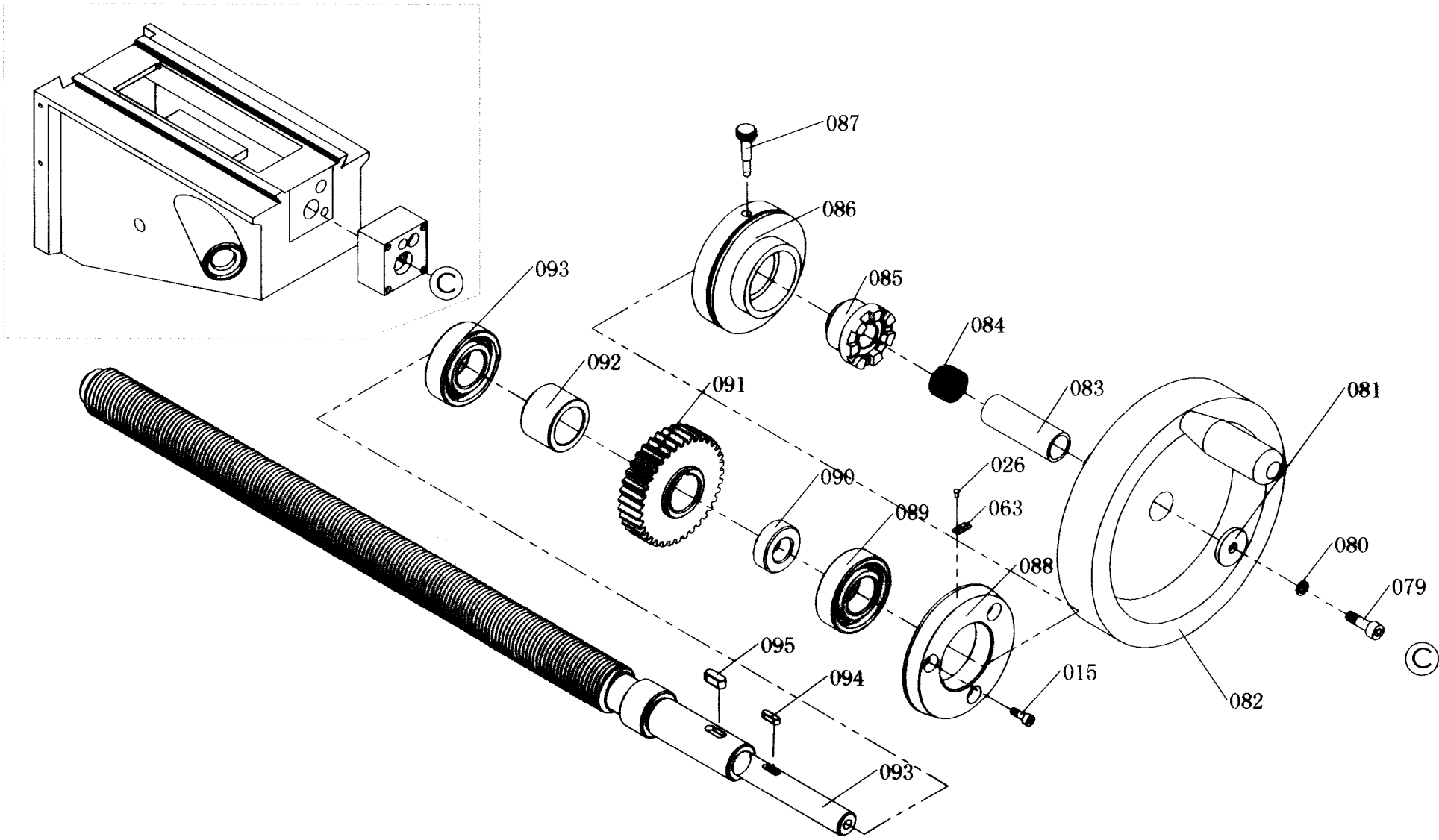




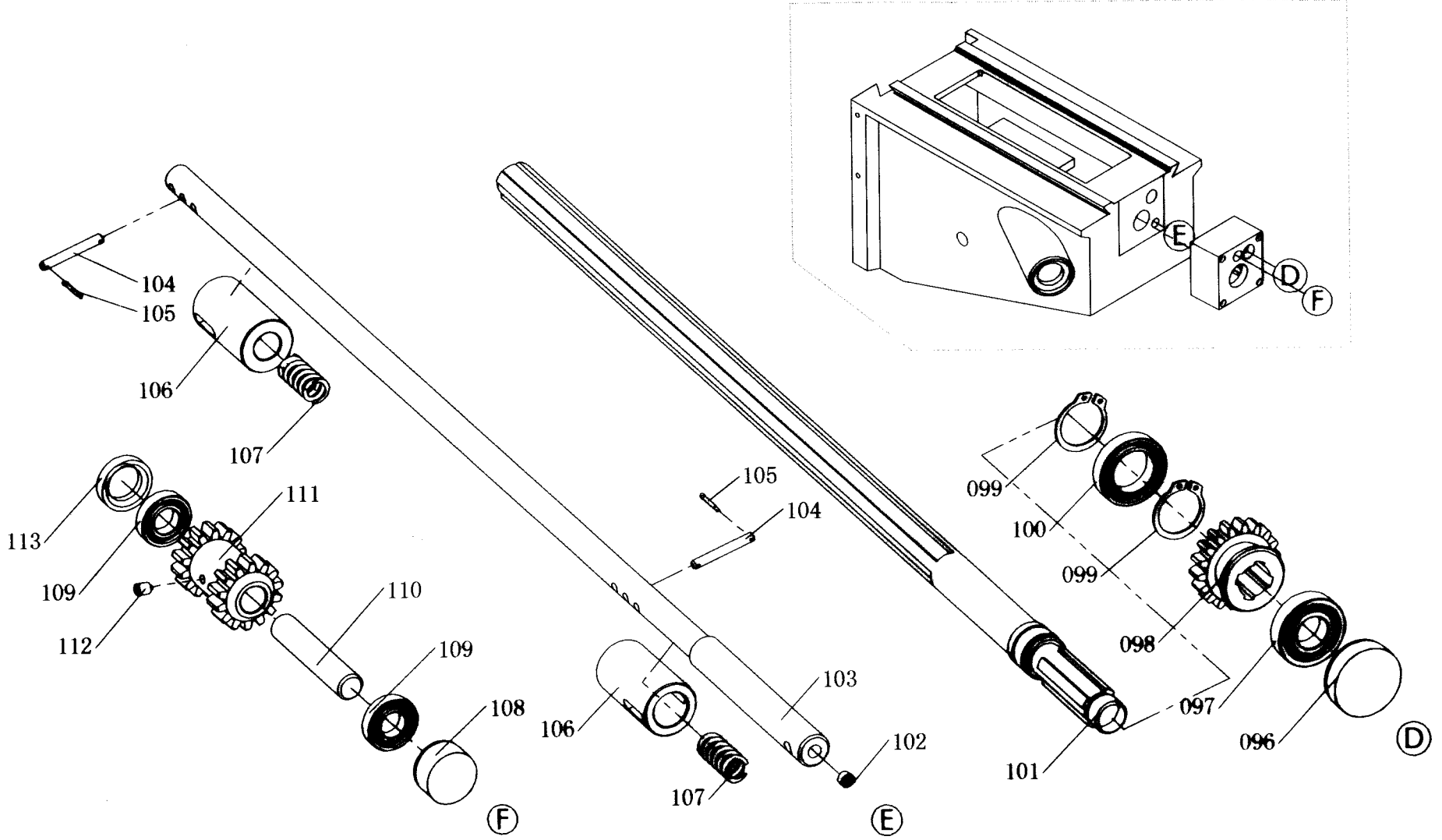
# 02 Knee part

XB6226A.02 3/8

# 02 Knee part



# 02 Knee part



4/4

## 02 Knee part

No.	Name of item	Qty
02001	A-M8×25 Ball knob	1
02002	handle bush	1
02003	Handle lever	1
02004	1×10×30 Pressure spring	1
02005	M6×20 Setscrew with slotted flat end	1
02006	Scutcheon	1
02007	Shaft	1
02008	M8×8 Hex. setscrew with flat end	1
02009	0.8×5×15 Pressure spring	1
02010	6 Steel ball	1
02011	3×50 Taper pin	1
02012	Handle seat	1
02013	M4×12 Hex. socket head bolt	2
02014	Collar	1
02015	M6×12 Hex. socket head bolt	7
02016	6×12 Taper pin	2
02017	Cover board	1
02018	Washer	1
02019	3×30 Cylinder pin	1
02020	Junction plate	1
02021	Shifting block	1
02022	6×24 Cylinder pin	1
02023	M8×85 Hex. socket head bolt	4
02024	Box	1
02025	Scutcheon	1
02026	Rivet	8
02027	Wiper	1
02028	Wiper	1
02029	Wiper	1

## 02 Knee part

No.	Name of item	Qty
02030	Nut	4
02031	M12×25 Hex. flat end setscrew	4
02032	M4×6 Cross recessed pan head screw	13
02033	Pressure plate	2
02034	Wiper	1
02035	Wiper	1
02036	Wiper	1
02037	Pressure plate	1
02038	Gib	2
02039	M12×35 Hex. flat end setscrew	4
02040	M10×1 Oil cup	1
02041	5×50 Cylinder pin	1
02042	Clamping collar	1
02043	Screw	1
02044	Collar	1
02045	Gib	1
02046	10 Oil cup	2
02047	Handle	1
02048	Handle grip	1
02049	Cover plate	2
02050	Saddle	1
02051	Shaft	1
02052	6×25 Flat key	1
02053	M8×10 Hex. taper end setscrew	1
02054	Bevel gear	1
02055	20×37×9 Bearing	1
02056	M6×10 Hex. socket head bolt	3
02057	Bearing housing	1
02058	20×42×12 Bearing	1

## 02 Knee part

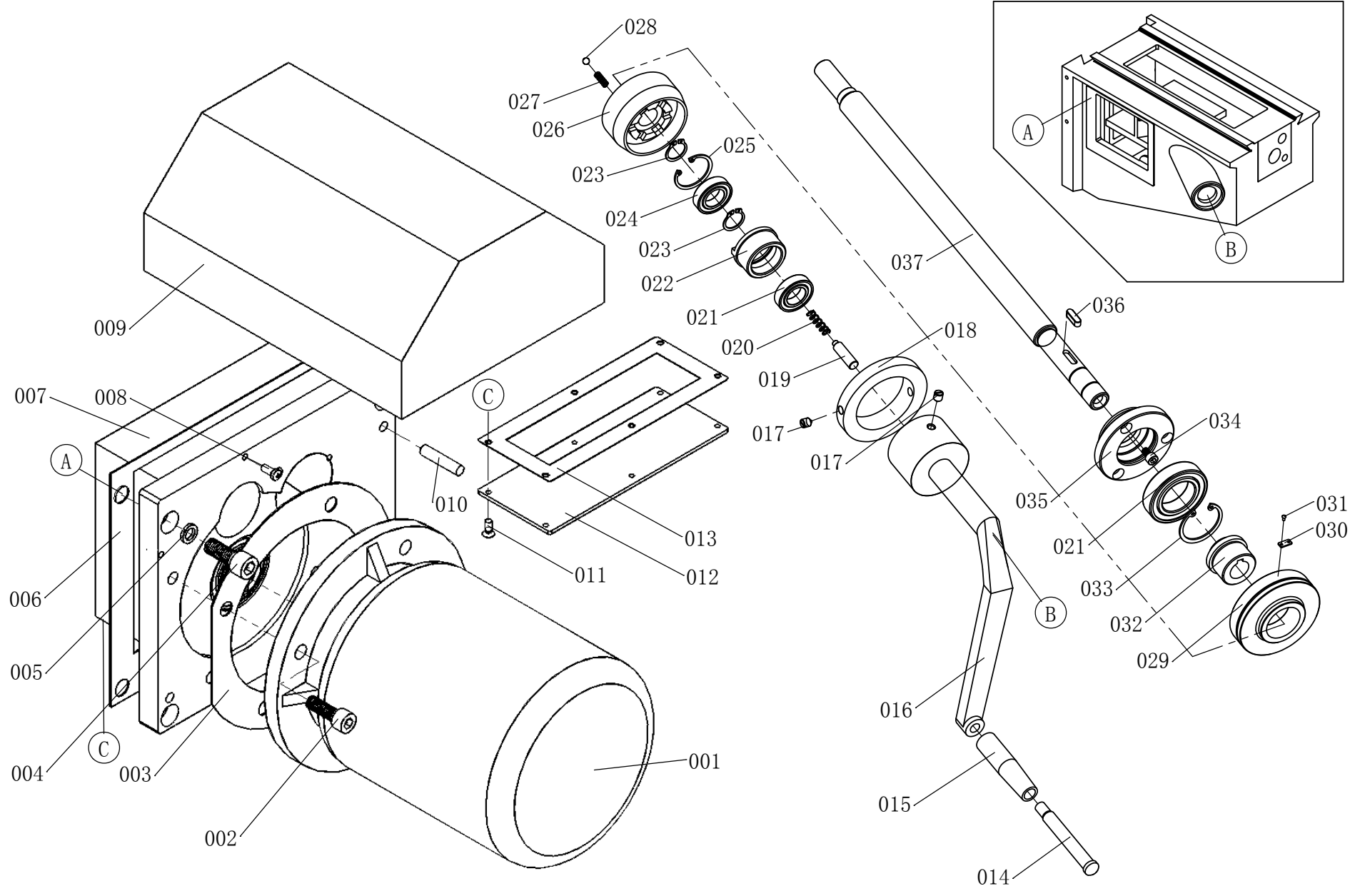
No.	Name of item	Qty
02059	42 Circlip for hole	1
02060	Nut	1
02061	Indexing ring	1
02062	M5×6 Slotted flat end setscrew	1
02063	Indicator plate	2
02064	M10×20 Hex. socket head bolt	3
02065	10 Washer	1
02066	Washer	1
02067	Bevel gear	1
02068	Bearing housing	1
02069	Spacer	1
02070	30×62×16 Bearing	1
02071	Pressure cover	1
02072	M6×16 Cross recessed countersunk flat head screw	3
02073	8×20 Flat key	1
02074	Elevating screw	1
02075	M6×16 Hex. socket head bolt	4
02076	M10×1 C-Oil cup	1
02077	Nut	1
02078	Stanchion	1
02079	M6×20 Hex. socket head bolt	1
02080	6 Spring washer	1
02081	Washer	1
02082	20×160 Handwheel	1
02083	Collar	1
02084	1×22×30 Spring	1
02085	Clutch	1
02086	Dial	1
02087	Knurled screw	1



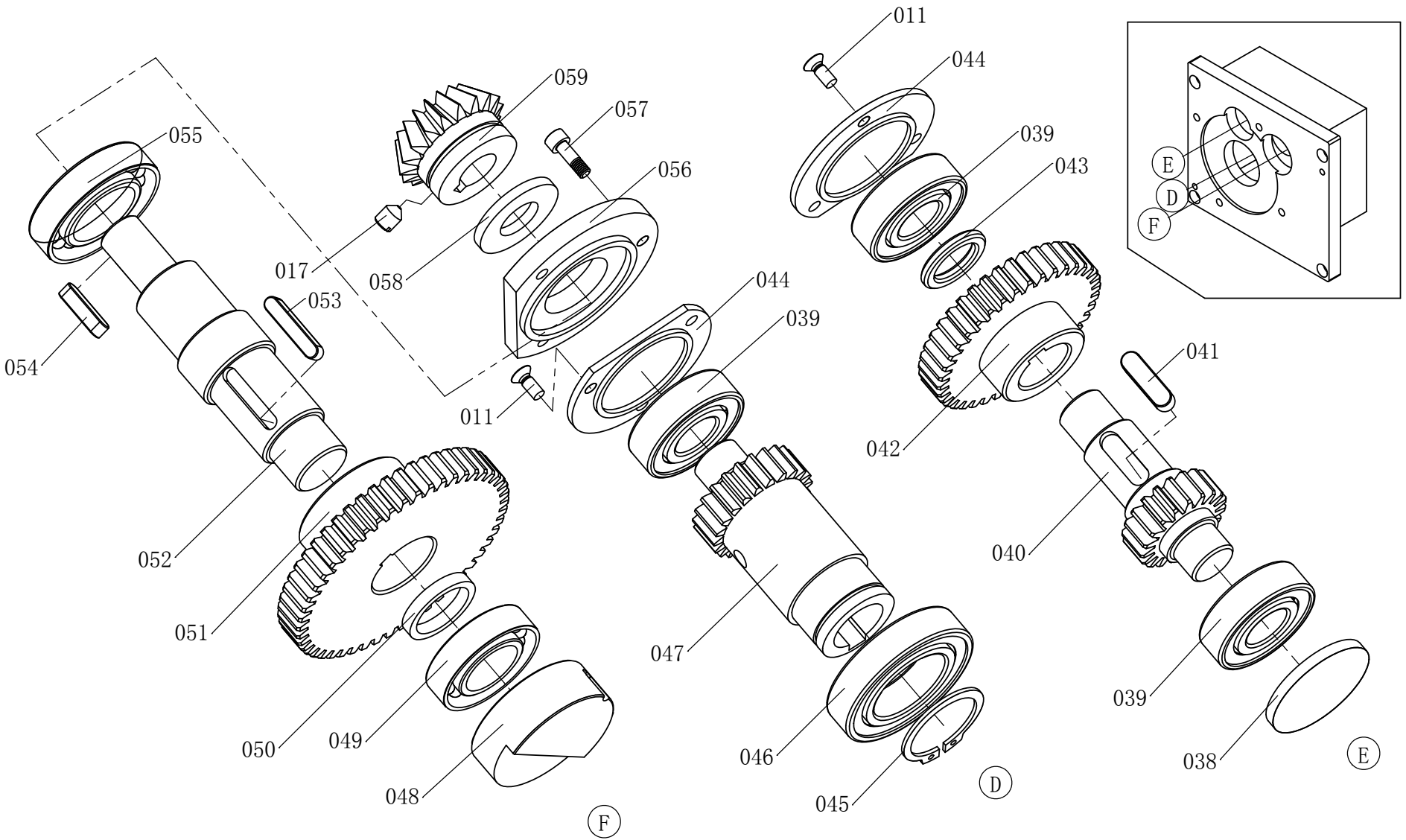
## 02 Knee part

No.	Name of item	Qty
02088	Pressure cover	1
02089	25×52×15 Bearing	2
02090	Collar	1
02091	Gear	1
02092	Distance sleeve	1
02093	Cross lead screw	1
02094	4×14 Flat key	1
02095	5×16 Flat key	1
02096	Bearing cover	1
02097	15×32×9 Bearing	1
02098	Gear	1
02099	20 Circlip for shaft	2
02100	20×32×7 Bearing	1
02101	Spline shaft	1
02102	M6×6 Hex. taper end setscrew	1
02103	shaft	1
02104	84×30 Wrist	2
02105	1.6×10 Cotter pin	2
02106	Collar	2
02107	1×14×25 Compressed spring	2
02108	Bearing cap	1
02109	12×24×6 Bearing	2
02110	Shaft	1
02111	Gear	1
02112	M4×4 Slotted taper end setscrew	1
02113	Spacer	1

# 02 Knee part Power lifting&falling structure



# 02 Knee part Power lifting&falling structure



## 02 Knee Part

### Power lifting & falling structure

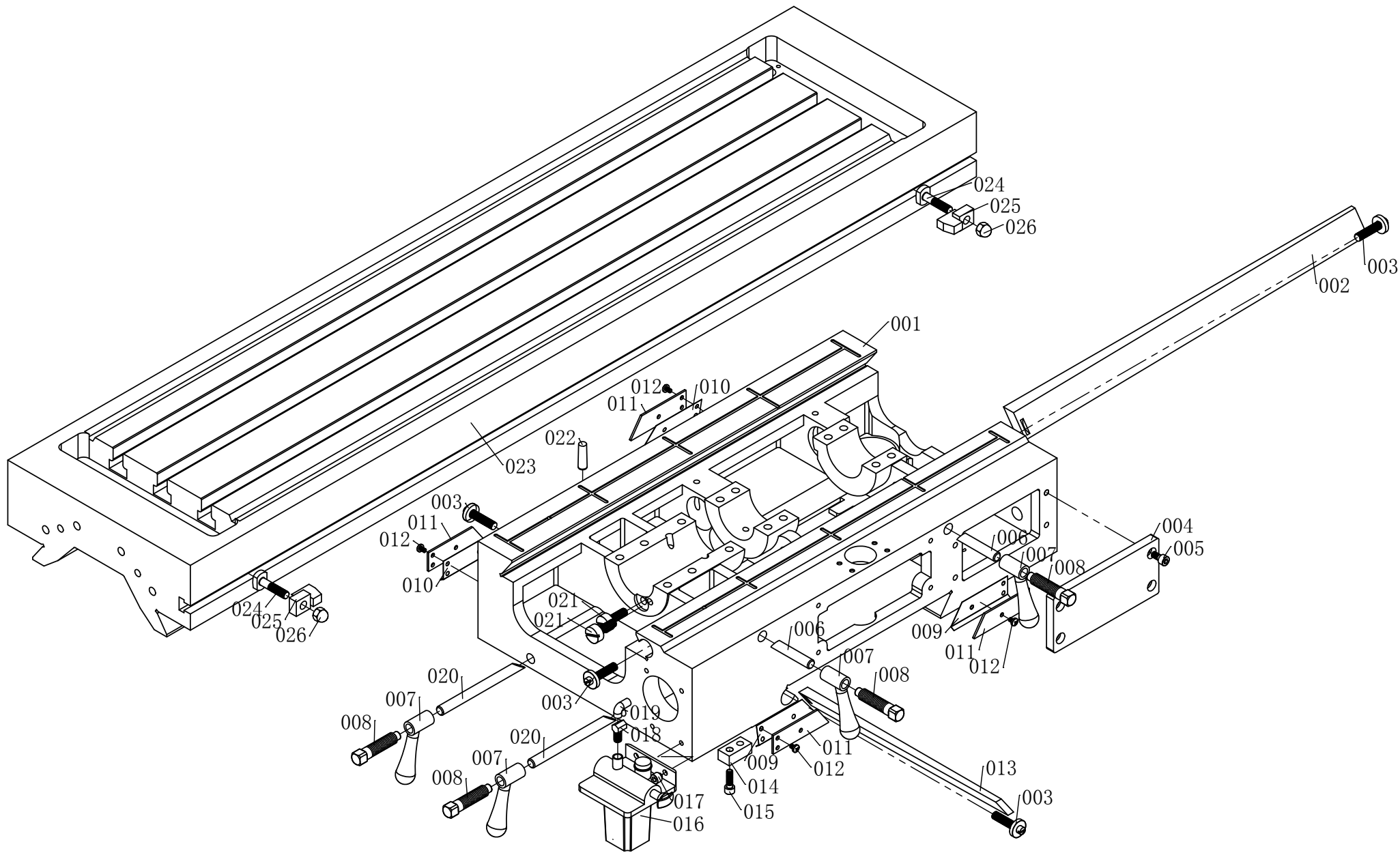
No.	Name of item	Qty
02001	380v 0.75Kw Motor	1
02002	M10×30 Hex. socket head bolt	4
02003	Oil-proof rubber washer	1
02004	M12×30 Hex. socket head bolt	4
02005	12 Washer	4
02006	Oil-proof rubber washer	1
02007	Box	1
02008	M5×12 Cross recessed pan head screw	3
02009	Cover	1
02010	Pin	2
02011	M5×12 Cross recessed countersunk head screw	12
02012	Cover board	1
02013	Oil-proof rubber washer	1
02014	Handle seat	1
02015	Handle busher	1
02016	Handle	1
02017	Hex.socket setscrew	6
02018	Adapter sleeve	1
02019	Shaft	1
02020	0.8×0.7×30 Spring	1
02021	20×42×12 Bearing	2
02022	Collar	1
02023	20 Distance ring	2
02024	20×37×9 Bearing	1
02025	35 Distance ring	1
02026	Clutch	1
02027	0.8×5×16 Spring	2
02028	6 Steel ball	2

## 02 Knee Part

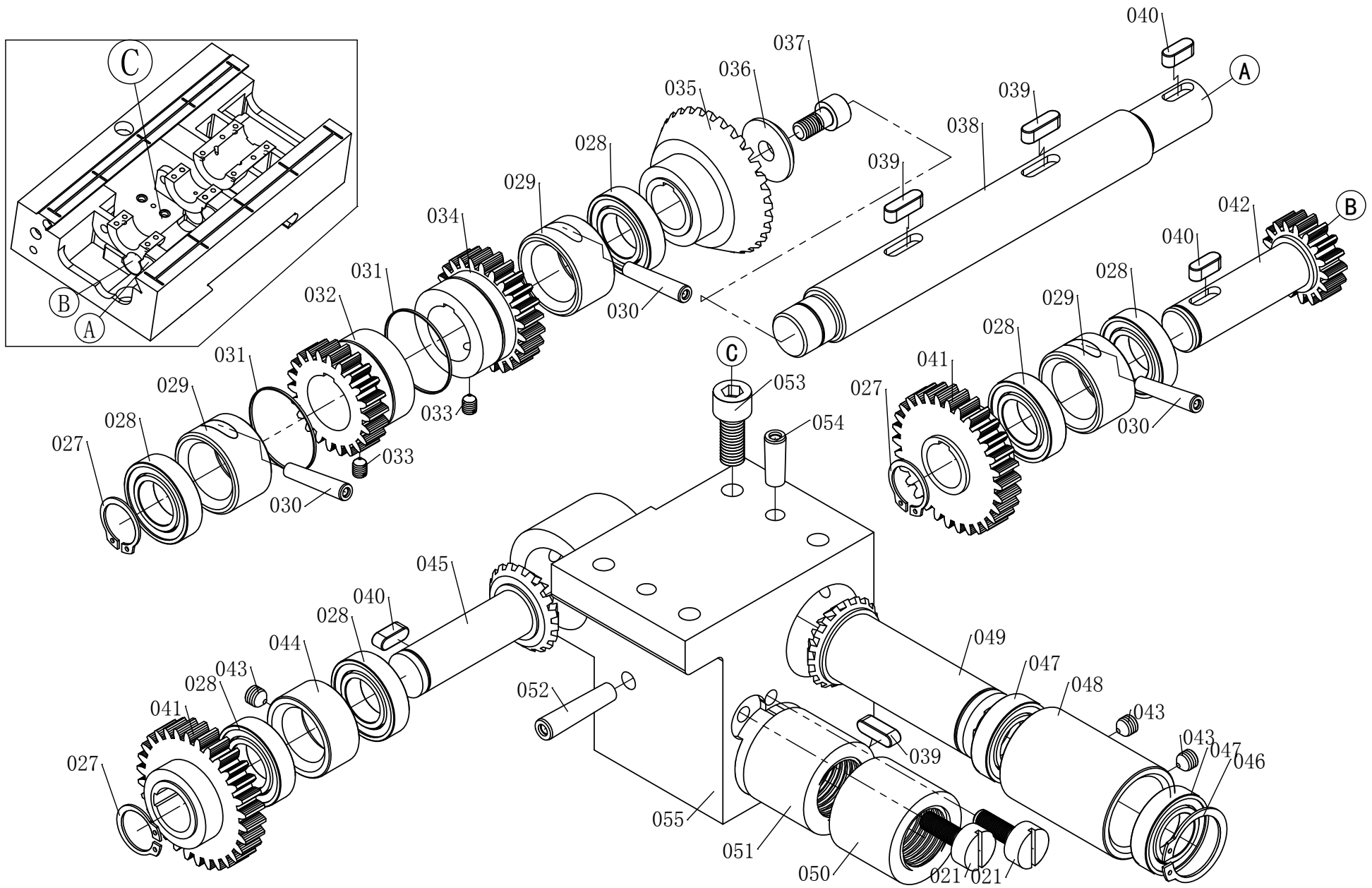
### Power lifting & falling structure

No.	Name of item	Qty
02029	Dial	1
02030	Scutcheon	1
02031	Rivet	2
02032	Distance sleeve	1
02033	42Distance ring	1
02034	M6×10 Hex. socket head bolt	3
02035	Bearing house	1
02036	6×20 Key	1
02037	Elevating cover	1
02038	Blanking cover	1
02039	20×47×14 Bearing	3
02040	Gear shaft	1
02041	8×7×28 Key	1
02042	Gear	1
02043	Collar	1
02044	End cover	2
02045	Shaft retaining ring	1
02046	35×62×14 Bearing	1
02047	Gear shaft	1
02048	Bush	1
02049	25×47×12 Bearing	1
02050	Washer	1
02051	Gear	1
02052	Shaft	1
02053	6×6×32 Key	1
02054	6×6×25 Key	1
02055	30×55×12 Bearing	1
02056	End cover	1





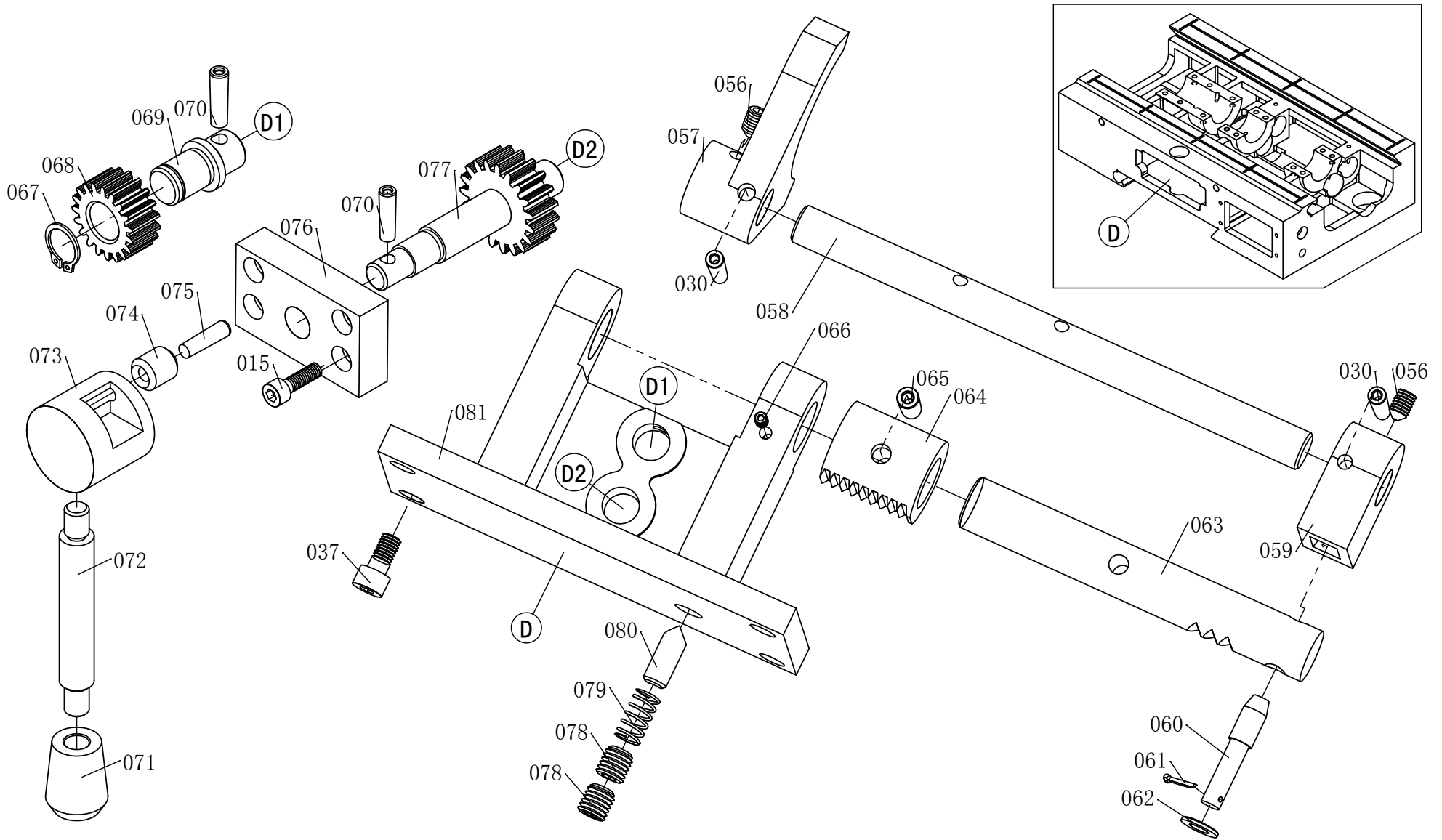
# 03 Table part



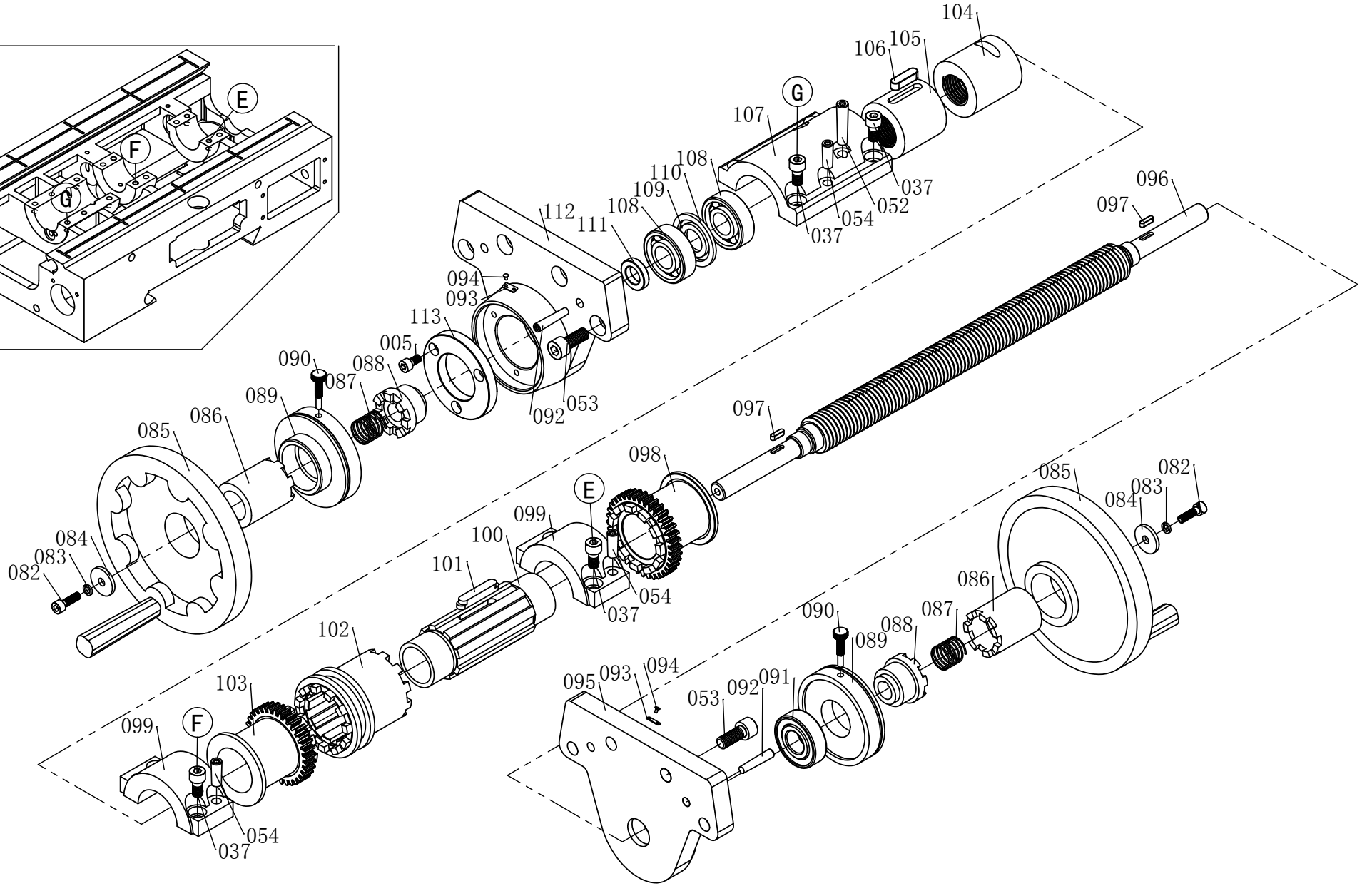
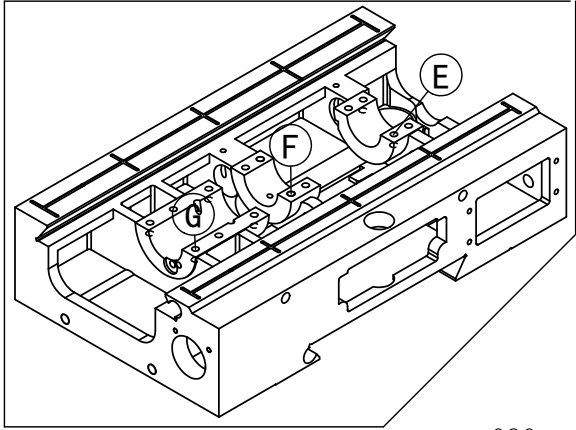
# 03 Table part

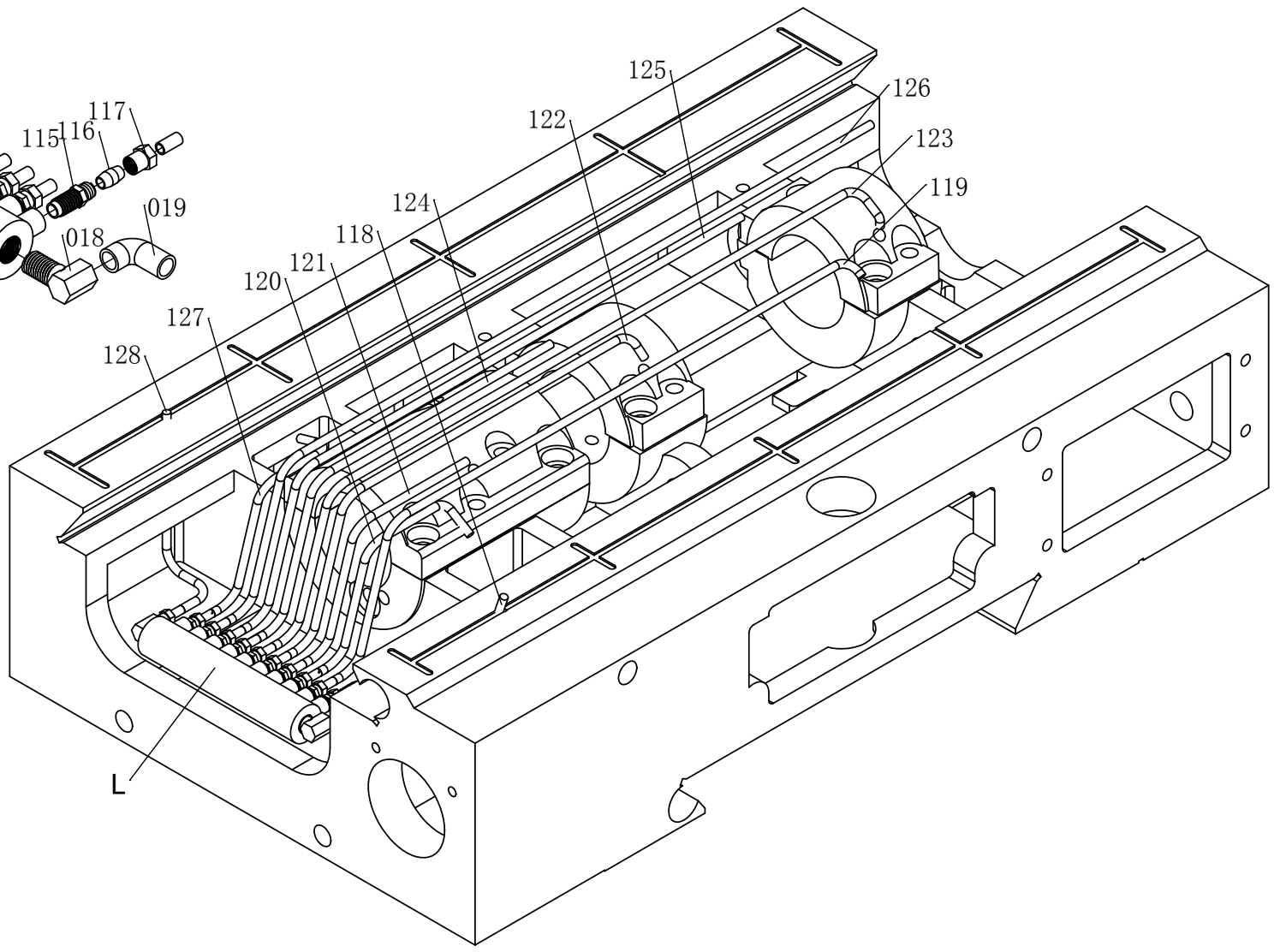
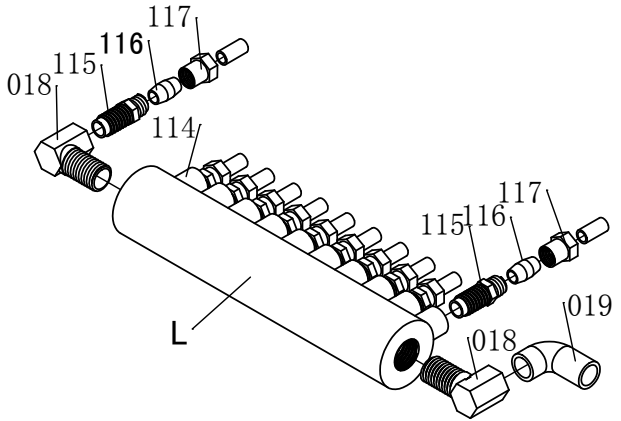


# 03 Table part



# 03 Table part





03 Table part

# 03 Table part

No.	Name of item	Qty
03001	Saddle	1
03002	Gib	1
03003	Adjusting screw	4
03004	Cover	1
03005	M6×12 Hex. socket head bolt	7
03006	Clamp piece	2
03007	M12×58×25 Adjustable clamping lever	4
03008	M12×30 Squarehead long cylindrical end screw	4
03009	Wiper	2
03010	Wiper	2
03011	Dog	4
03012	M4×6 Cross-recessed pan head screw	16
03013	Gib	1
03014	Limit stop	1
03015	M6×20 Hex. socket head bolt	4
03016	L3H-R Manual lubricating pump	1
03017	M6×10 Hex. socket head bolt	2
03018	M8×1 Elbow	2
03019	22539-150 Oil pipe	1
03020	Clamp piece	2
03021	Screw	4
03022	A8×30 Screw taper pin	1
03023	Table	1
03024	M8×30 T-Bolt	2
03025	Block	2
03026	M8 Cap nut	2
03027	20 Shaft retaining ring	3
03028	61904-2RZ Bearing	6
03029	Collar	3

## 03 Table part

No.	Name of item	Qty
03030	A6×35 Screw taper pin	5
03031	38 Steel band	2
03032	Gear	1
03033	M6×8 Setscrew with slotted taper end	2
03034	Gear	1
03035	Bevel Gear	1
03036	Spacer	1
03037	M8×16 Hex. socket head bolt	13
03038	Shaft	1
03039	6×20 Parallel key	3
03040	6×16 Parallel key	3
03041	Gear	2
03042	Gear	1
03043	M8×8 Setscrew with hex. socket taper end	3
03044	Collar	1
03045	Bevel gear	1
03046	30 Shaft retaining ring	1
03047	61806 Bearing	2
03048	Collar	1
03049	Bevel gear	1
03050	Nut	1
03051	Nut	1
03052	A8×40 Screw taper pin	3
03053	M10×25 Hex. socket head bolt	12
03054	A8×25 Screw taper pin	8
03055	Nut base	1
03056	M8×12 Setscrew with hex. socket taper end	2
03057	Shifting fork	1
03058	Shaft	1

## 03 Table part

No.	Name of item	Qty
03059	Shifting block	1
03060	Shifting pin	1
03061	2×12 Split cotter	1
03062	8 Plane washer	1
03063	Shaft	1
03064	Rack bush	1
03065	A8×35 Screw taper pin	4
03066	M5×10 Setscrew with hex. socket head	2
03067	15 Shaft retaining ring	1
03068	Gear	1
03069	Shaft	1
03070	A6×24 Screw taper pin	2
03071	A-M10×32 Grip	1
03072	Lever	1
03073	Lever boss	1
03074	Idler wheel	1
03075	A6×24 Screw cylindrical pin	1
03076	Dog	1
03077	Gear shaft	1
03078	M12×12 Setscrew with hex. socket flat end	2
03079	1.2×8×35 Coil spring	1
03080	Positioning pin	1
03081	Plate	1
03082	M6×16 Hex. socket head bolt	4
03083	6 Spring washer	2
03084	Spacer	2
03085	20×160 Handle	2
03086	Collar	2
03087	1×22×30 Coil spring	2

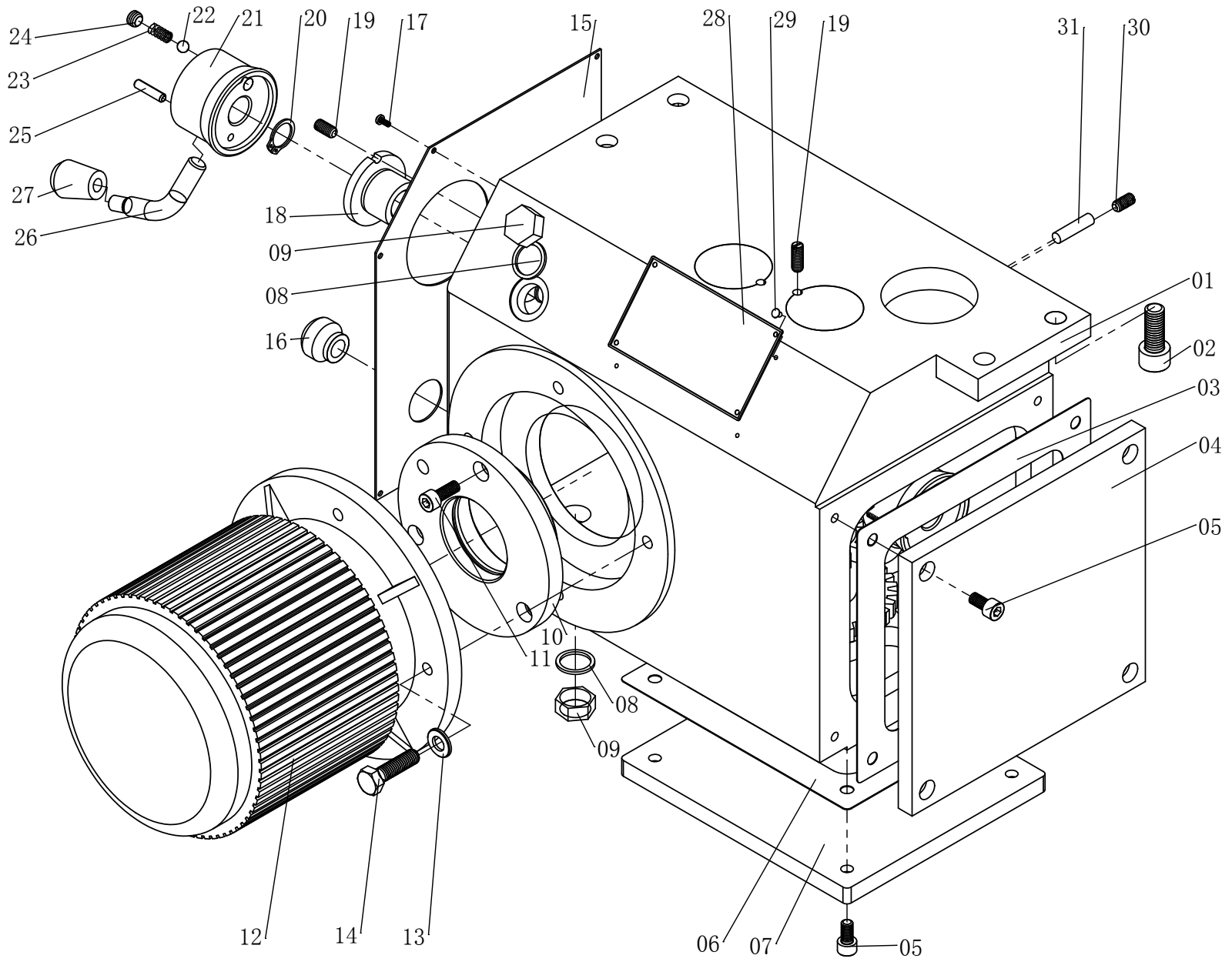
# 03 Table part

No.	Name of item	Qty
03088	Clutch	2
03089	Dial	2
03090	Knurling screw	2
03091	6204-Z Bearing	1
03092	A8×35 Screw taper pin	4
03093	Name plate	2
03094	2×4 Rivet	4
03095	Table bracket(Right)	1
03096	Lead screw	1
03097	4×14 Key	2
03098	Gear	1
03099	Gear cover	2
03100	Spline bush	1
03101	Sliding key	1
03102	Sliding bush	1
03103	Gear	1
03104	Nut	1
03105	Nut	1
03106	8×30 Key	1
03107	Nut cover	1
03108	7204C-Z Bearing	2
03109	Spacer	1
03110	Spacer	1
03111	Collar	1
03112	Table bracket(left)	1
03113	Bearing cover	1
03114	Distribution	1
03115	Flow unit	11
03116	Sleeve	11

### 03 Table part

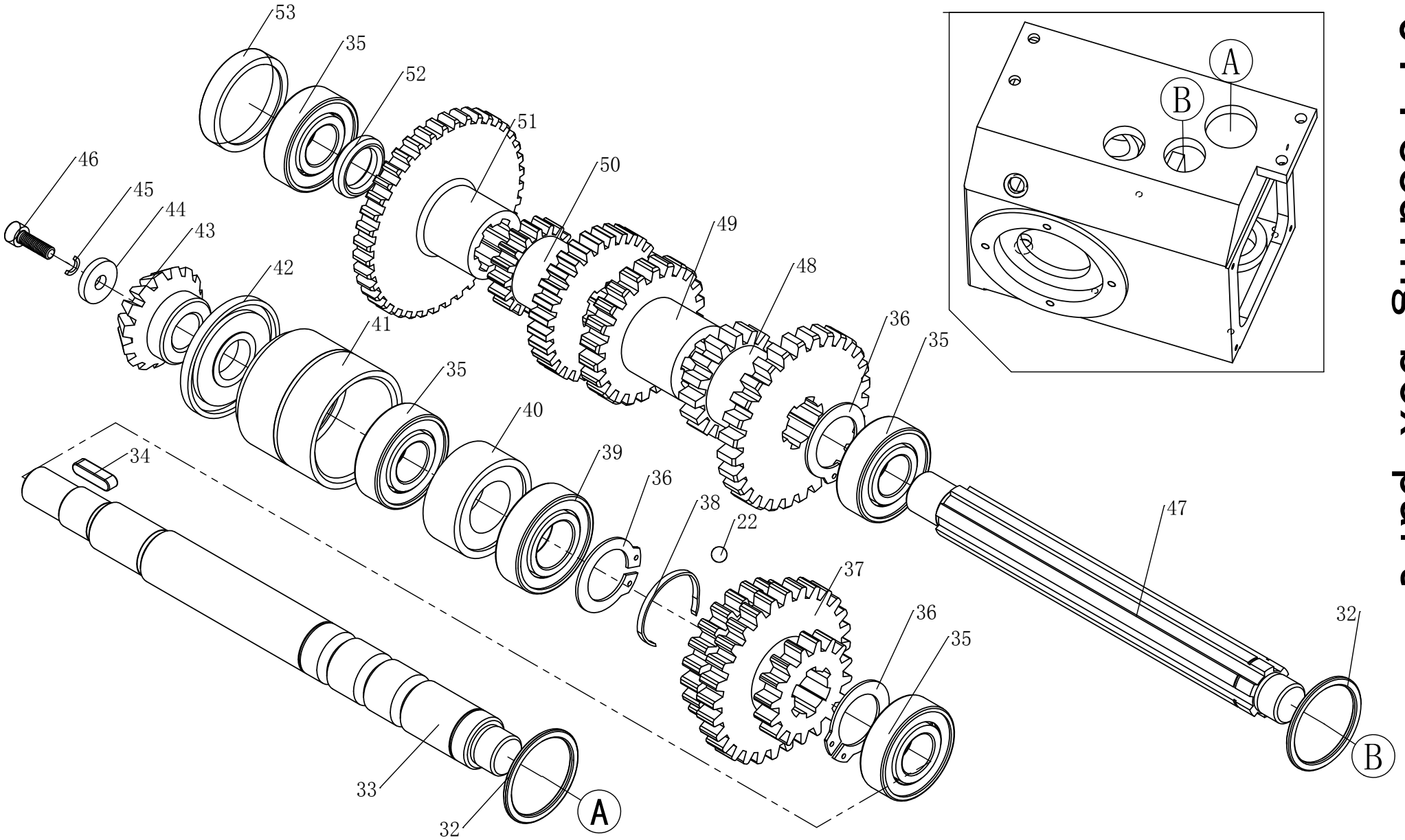
No.	Name of item	Qty
03117	Nut	11
03118	$\phi 4 \times \phi 3$ Cu pipe	1
03119	$\phi 4 \times \phi 3$ Cu pipe	1
03120	$\phi 4 \times \phi 3$ Cu pipe	1
03121	$\phi 4 \times \phi 3$ Cu pipe	1
03122	$\phi 4 \times \phi 3$ Cu pipe	1
03123	$\phi 4 \times \phi 3$ Cu pipe	1
03124	$\phi 4 \times \phi 3$ Cu pipe	1
03125	$\phi 4 \times \phi 3$ Cu pipe	1
03126	$\phi 4 \times \phi 3$ Cu pipe	1
03127	$\phi 4 \times \phi 3$ Cu pipe	1
03128	$\phi 4 \times \phi 3$ Cu pipe	1



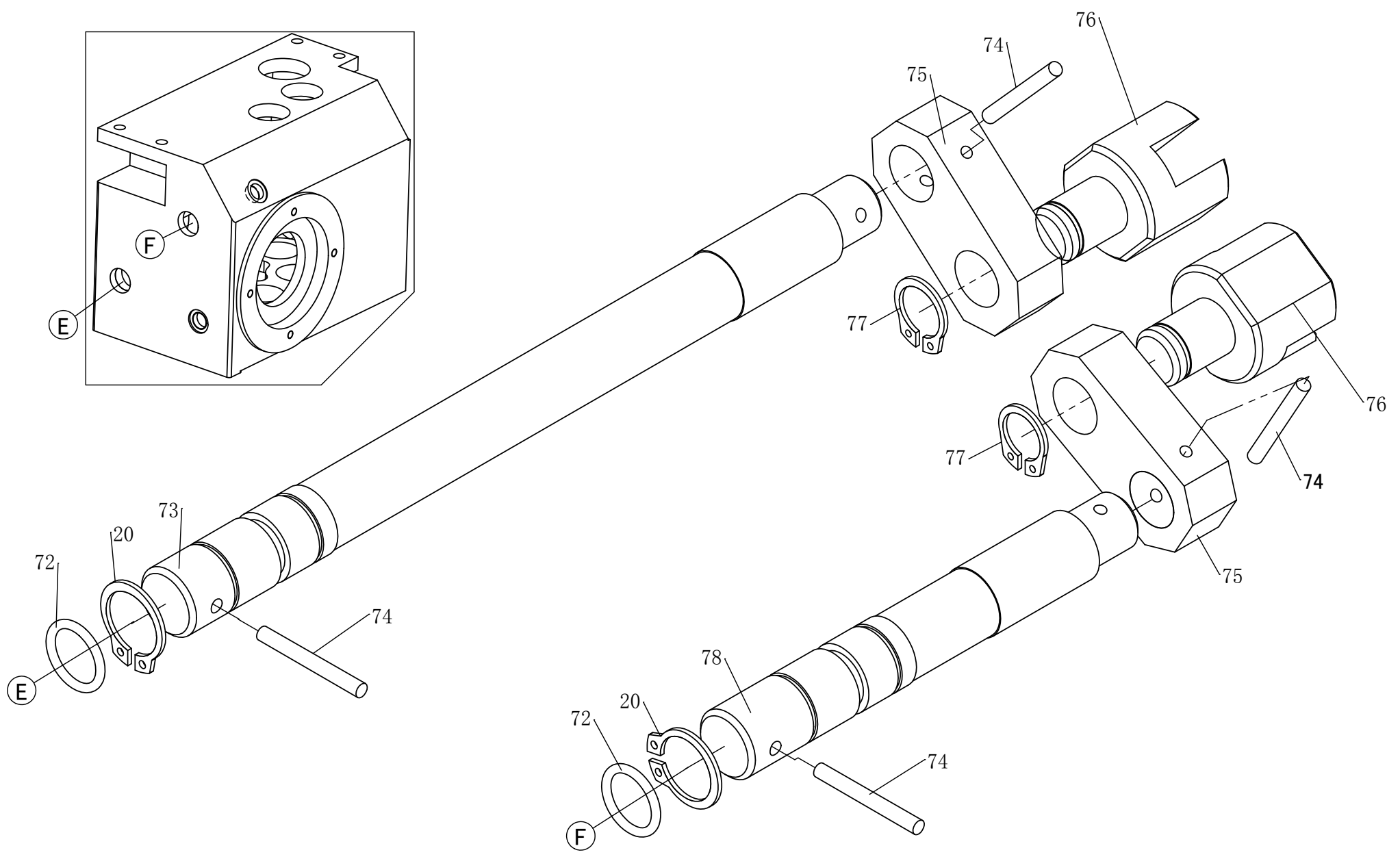


# 04 Feeding box part

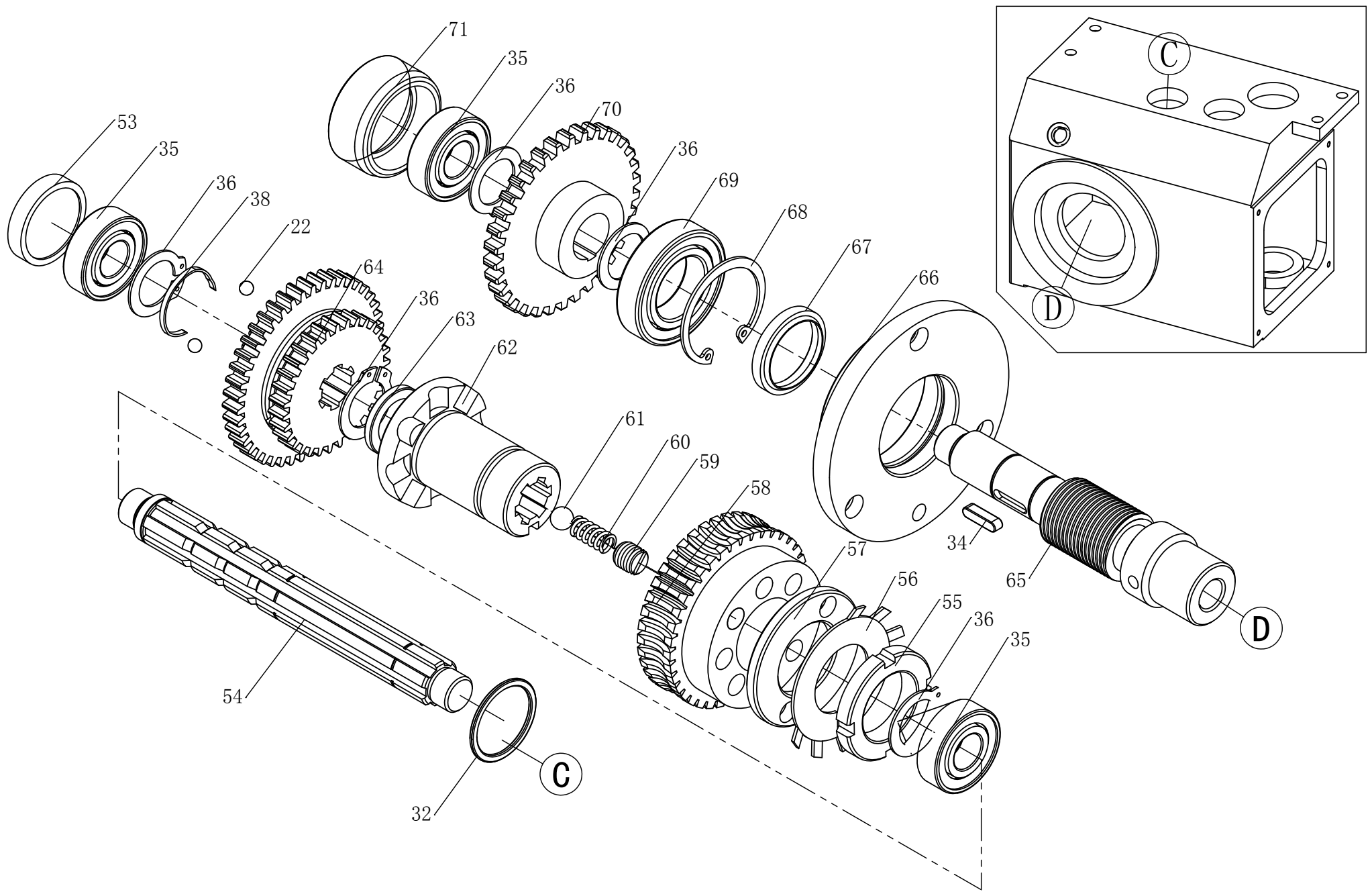
# 04 Feeding box part



# 04 Feeding box part



# 04 Feeding box part



# 04 Feeding box part

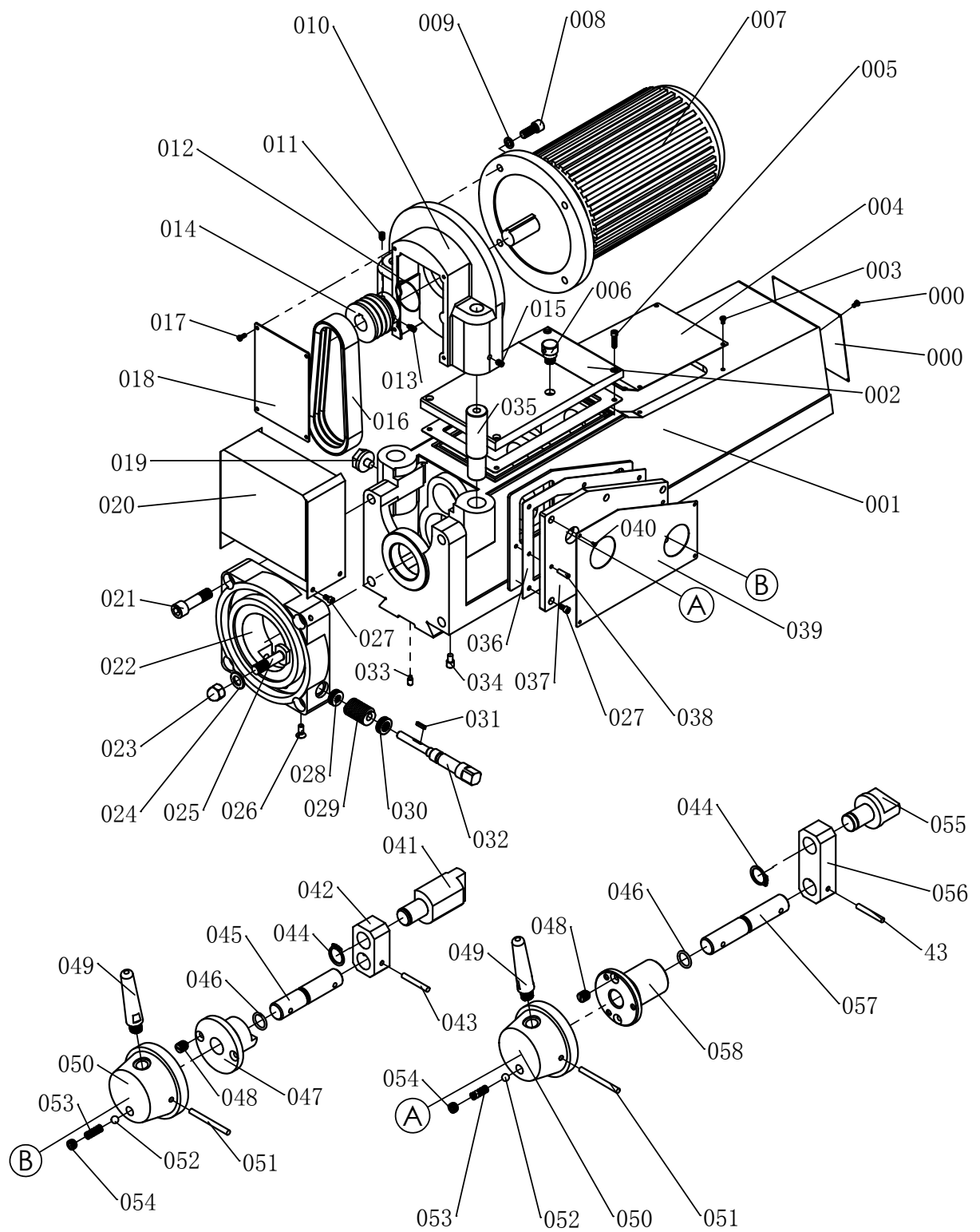
No.	Name of item	Qty
0401	Feeding box	1
0402	M10×25 Hex. socket head bolt	4
0403	Spacer	1
0404	Cover	1
0405	M6×12 Hex. socket head bolt	8
0406	Spacer	1
0407	Cover	1
0408	Cu spacer	2
0409	Oil plug	2
0410	Bearing bush	1
0411	M6×16 Hex. socket head bolt	3
0412	Motor Y2-712-4	1
0413	8 Spring washer	4
0414	M8×25 Hexagon bolt	4
0415	Name plate	1
0416	A10/M16×1.5 Oil scale	1
0417	M2.5×6 Cross-recessed pan head screw	5
0418	Bush	2
0419	M6×6 Setscrew with slotted flat end	4
0420	15 Shaft retaining ring	4
0421	Lever boss	2
0422	6 Steel ball	6
0423	0.8×5×16 Coil spring	2
0424	M8×5 Setscrew with hex. socket flat end	2
0425	4×20 Elastic cylindrical pin	2
0426	Lever	2
0427	Grip	2
0428	Notice board	1
0429	M2.5×4 Rivet	4

# 04 Feeding box part

No.	Name of item	Qty
0430	M6×12 Setscrew with slotted flat end	1
0431	A6×26 Screw taper pin	1
0432	Spacer	3
0433	Spline shaft	1
0434	5×20 Parallel key	2
0435	6203-z Bearing	7
0436	22 Shaft retaining ring	6
0437	Gear	1
0438	Closing ring	2
0439	6004-RZ Bearing	1
0440	Collar	1
0441	Bearing bush	1
0442	Spacer	1
0443	Bevel gear	1
0444	Pressure spacer	1
0445	5 Spring washer	1
0446	M5×16 Hex. socket head bolt	1
0447	Spline shaft	1
0448	Gear	1
0449	Gear	1
0450	Gear	1
0451	Gear	1
0452	Spacer	1
0453	Cover	2
0454	Spline shaft	1
0455	Nut	1
0456	33 Washer	1
0457	Spacer	1
0458	Worm wheel	1

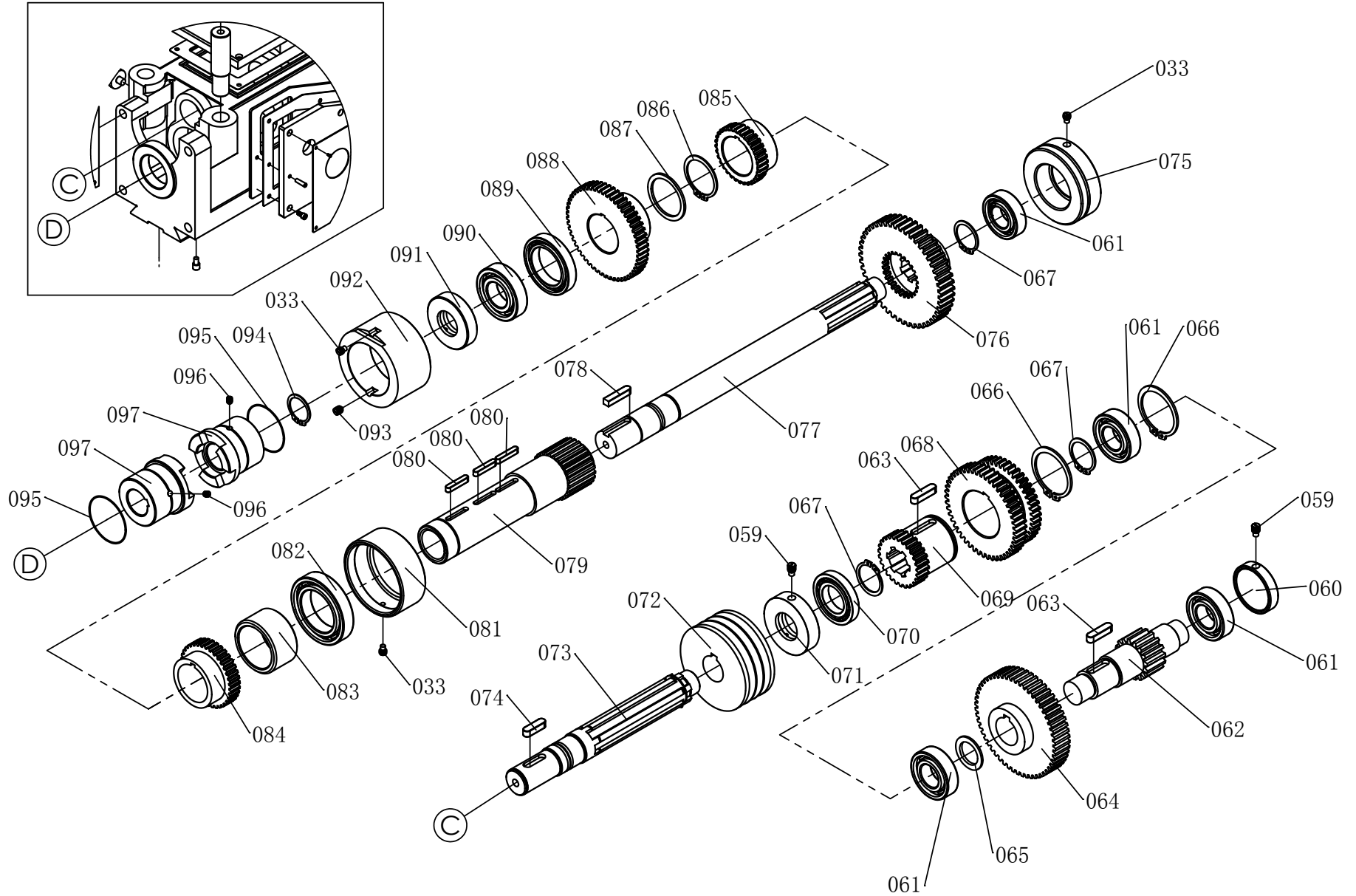


# 05 Ram part





# 05 Ram part



## 05 Ram part

No.	Name	Qty
05001	Ram	1
05002	Cover	1
05003	M5X8 Cylinder-head pan head screw	6
05004	Cover board	1
05005	M6X25 Hexagon socket head cap screw	4
05006	Oil plug	1
05007	Motor	1
05008	M12X30 Hexagon socket head cap screw	4
05009	12 Spring washer	4
05010	Motor support	1
05011	M8X12 Slotted flat end holdingscrew	1
05012	Iron wire $\phi$ 1X180	1
05013	M8X16 Slotted taper holdingscrew	1
05014	Motor sheave	1
05015	M8X12 Hex socket flat end holdingscrew	2
05016	V belt	1
05017	M5X12 Cylinder-head pan head screw	4
05018	Cover	1
05019	Oil gage	1
05020	Hood shield	1
05021	M16X60 Hexagon socket head cap screw	4
02022	Joint plate	1
05023	Round nut	3
05024	16 Flat key	3
05025	M16 T-bolt	3
05026	Bolt	1
05027	M6X12 Hexagon socket head cap screw	10
05028	12X26X9 Ball thrust bearing	1
05029	Worm	1

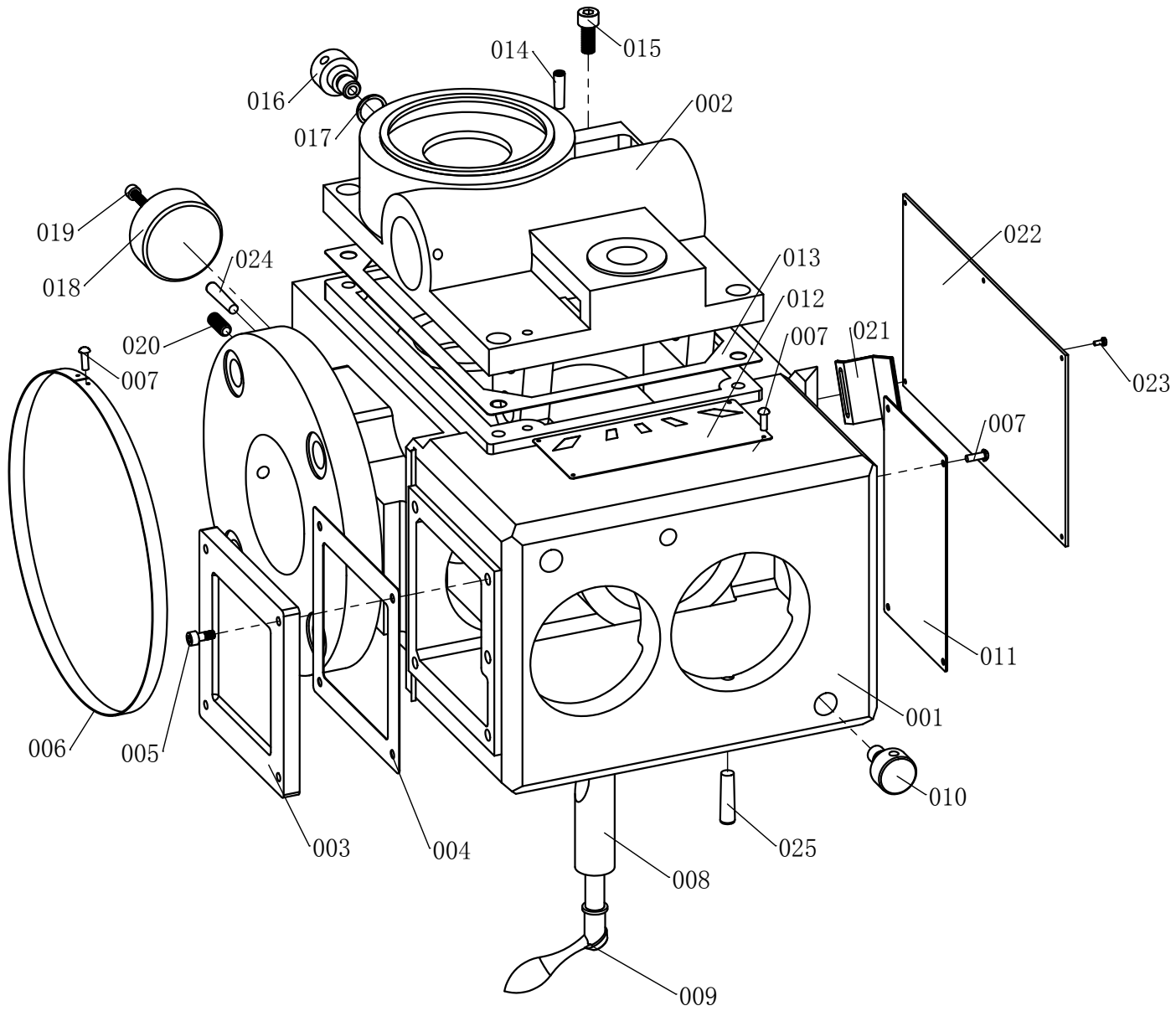
## 05 Ram part

No.	Name	Qty
05030	12X26X9 Ball thrust bearing	1
05031	Key	1
05032	Shaft	1
05033	M8X10 slotted long cylinder end holdingscrew	3
05034	M10X1 Oil plug	1
05035	Supporting axle	2
05036	Oilproof rubber washer	1
05037	Board	1
05038	A6X24 Taper pin with internal thread	2
05039	Scutcheon	1
05040	M2.5X4	4
05041	Trip switch	1
05042	Joint plate	1
05043	A4X30 Taper bolt	2
05044	15 Elastic damping ring	2
05045	Shaft	1
05046	11.8X1.8 O- seal ring	2
05047	Bush	1
05048	M8X10 Slotted taper holdingscrew	4
05049	Handlebar	2
05050	Handle seat	2
02051	A4X45 Taper bolt	2
05052	6 Iron shot	2
05053	0.8X5X16 Spring	2
05054	M8X5 Inner hex socket flat end holdingscrew	2
05055	Shifting block	1
05056	Joint plate	1
05057	Shaft	1
05058	Bush	1

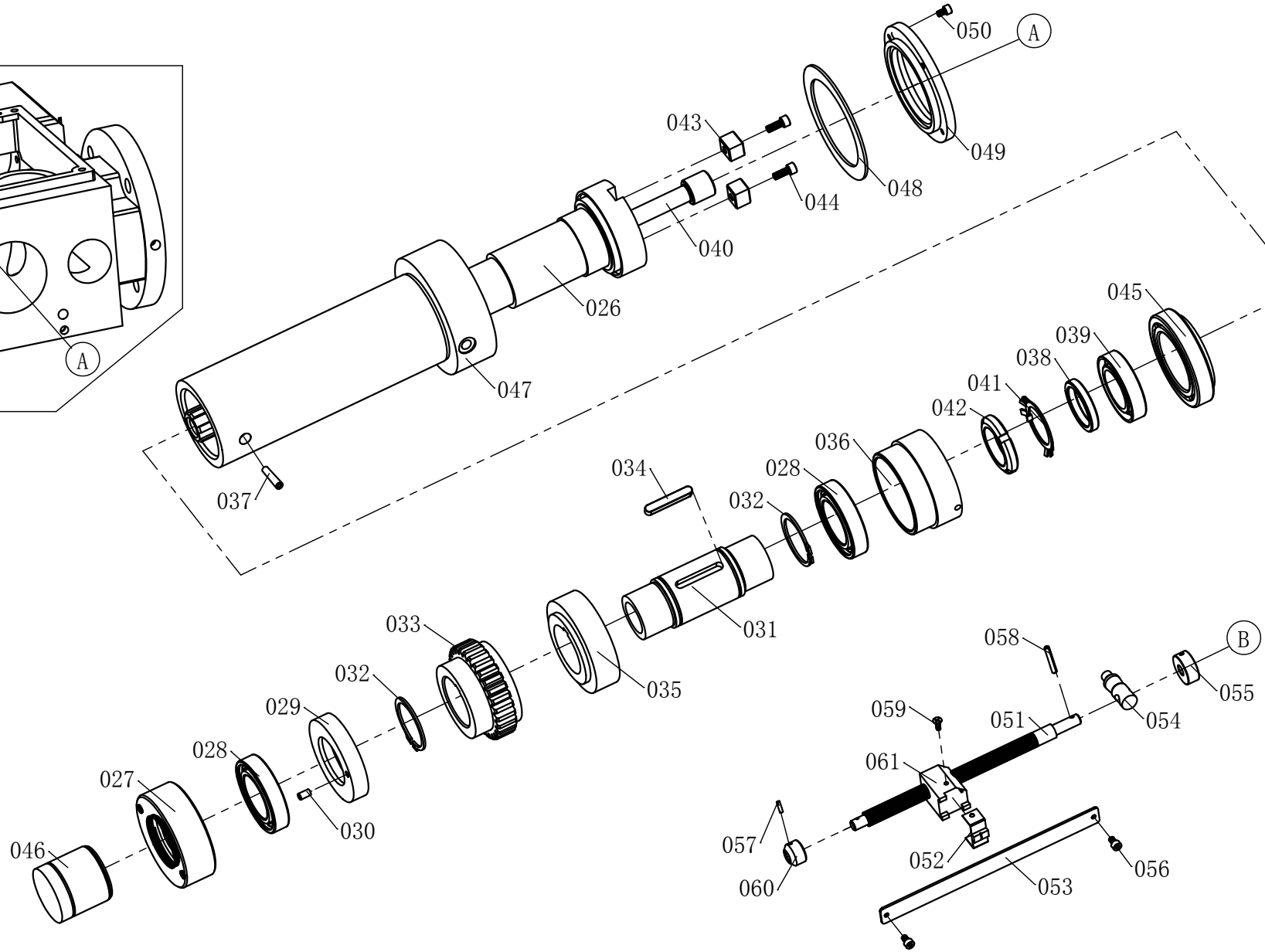
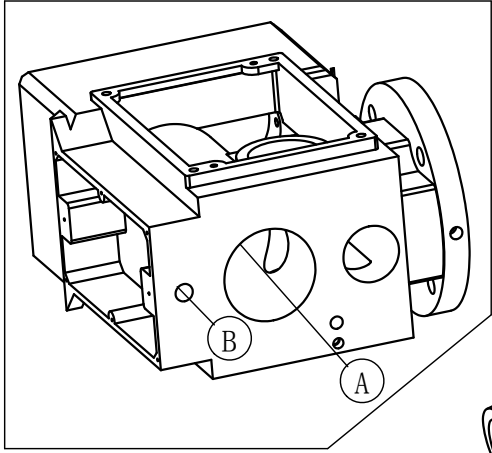
## 05 Ram part

No.	Name	Qty
05059	M8X12 Slotted long cylinder end holdingscrew	2
05060	Plug	1
05061	25X52X15 Deep groove ball bearing	4
05062	Gear shaft	1
05063	8X32 Flat key	2
05064	Gear	1
05065	Shock insulator	1
05066	50 Elastic damping ring	1
05067	32 Elastic damping ring	3
05068	Dual articulated gear	1
05069	Gear	1
05070	30X55X13 Deep groove ball bearing	1
05071	Plug	1
05072	Belt pulley	1
05073	Spline shaft	1
05074	8X28 Flat key	1
05075	Bearing sleeve	1
05076	Gear	1
05077	Shaft	1
05078	C8X36 Key	1
05079	Gear shaft	1
02080	6X32 Flat key	3
05081	Bearing sleeve	B
05082	50X80X16 Deep groove ball bearing	1
05083	Bush	1
05084	Gear	1
05085	Gear	1
05086	45 Elastic damping ring	1
05087	Distance sleeve	1



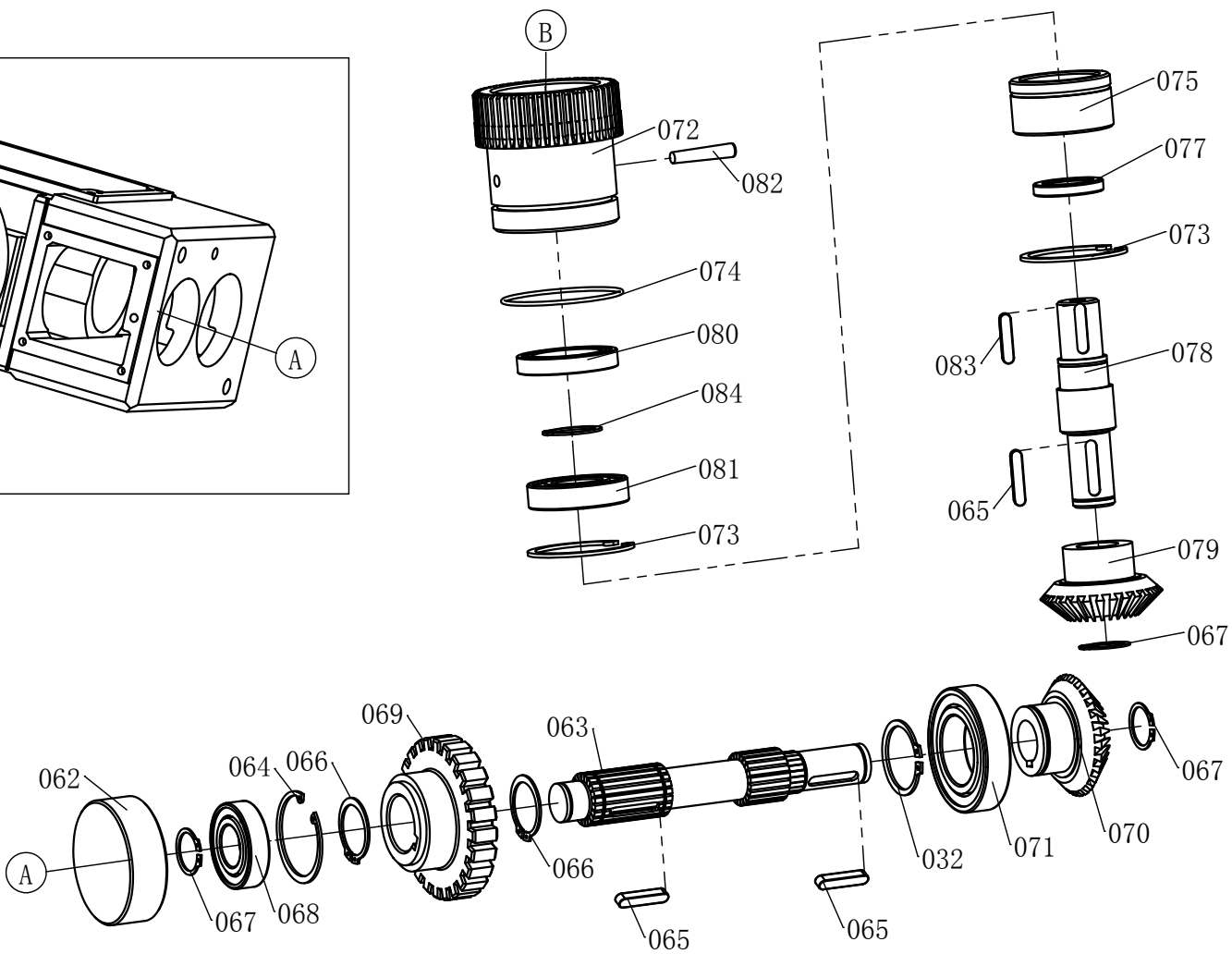
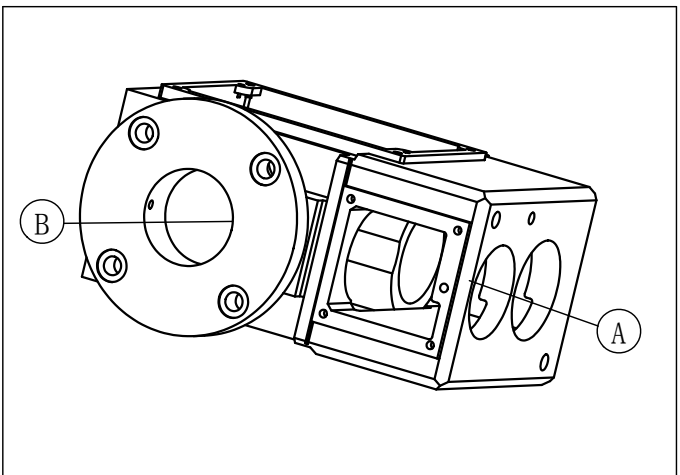


# 06 Headstock part



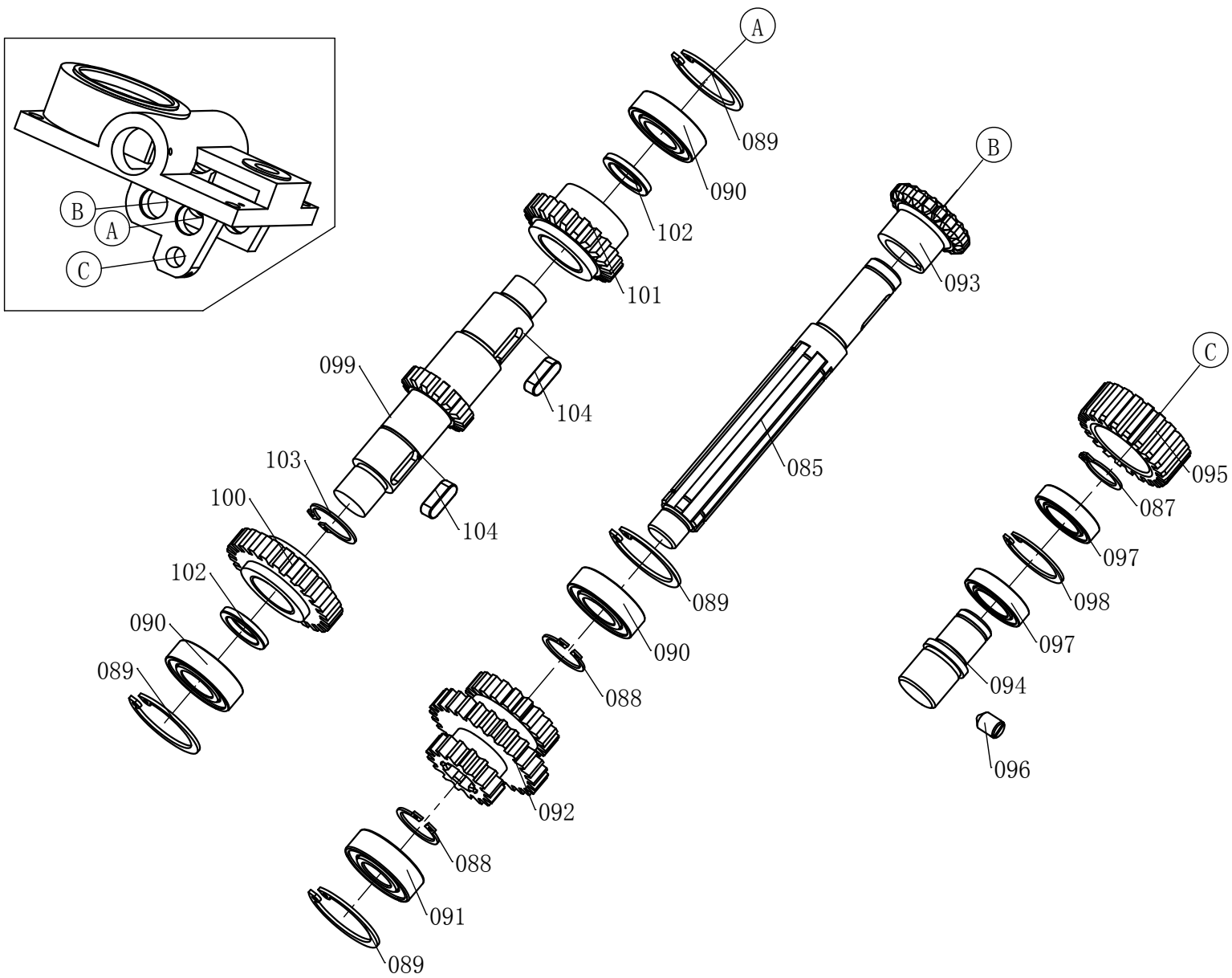
# 06 Headstock part

# 06 Headstock part

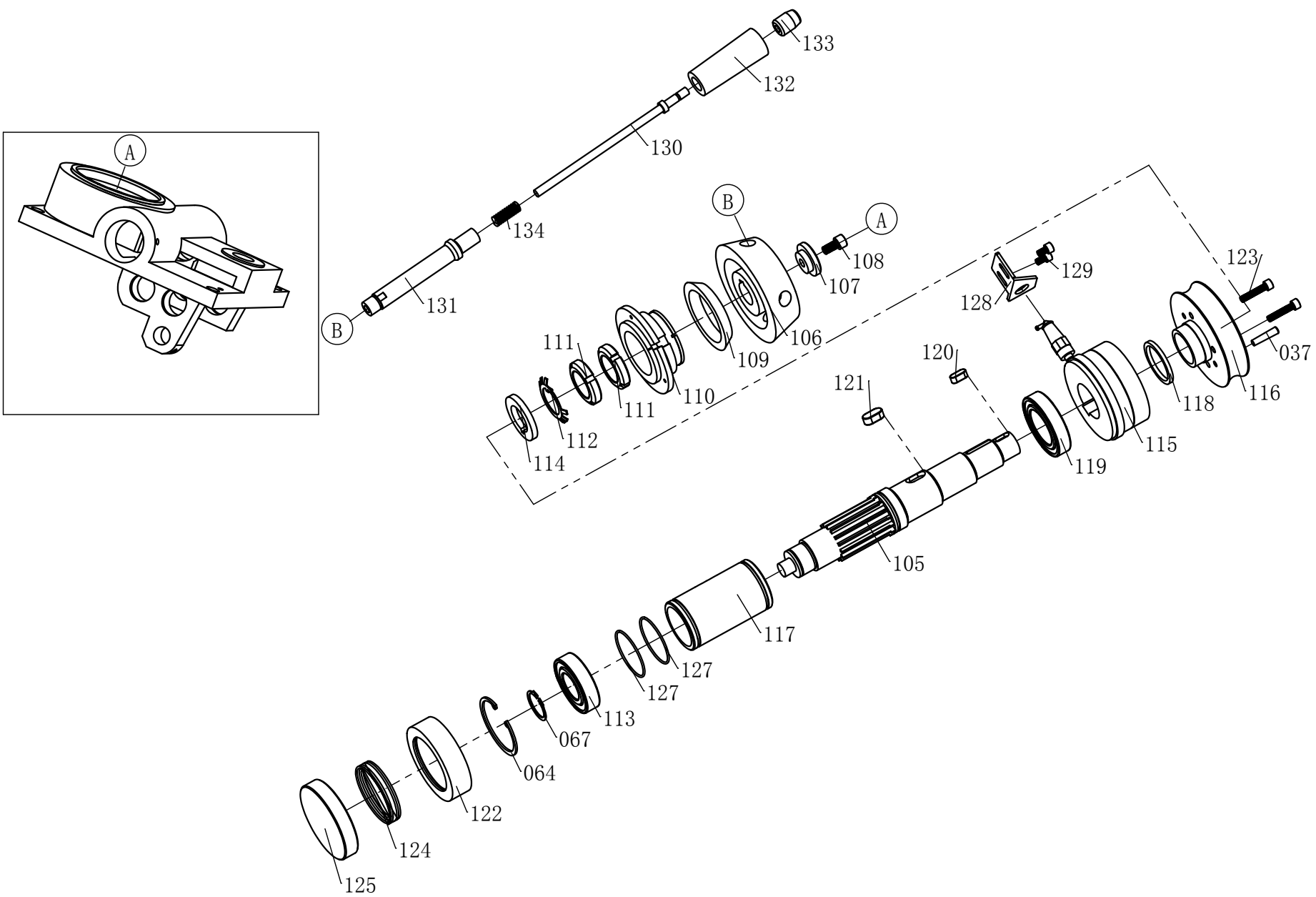




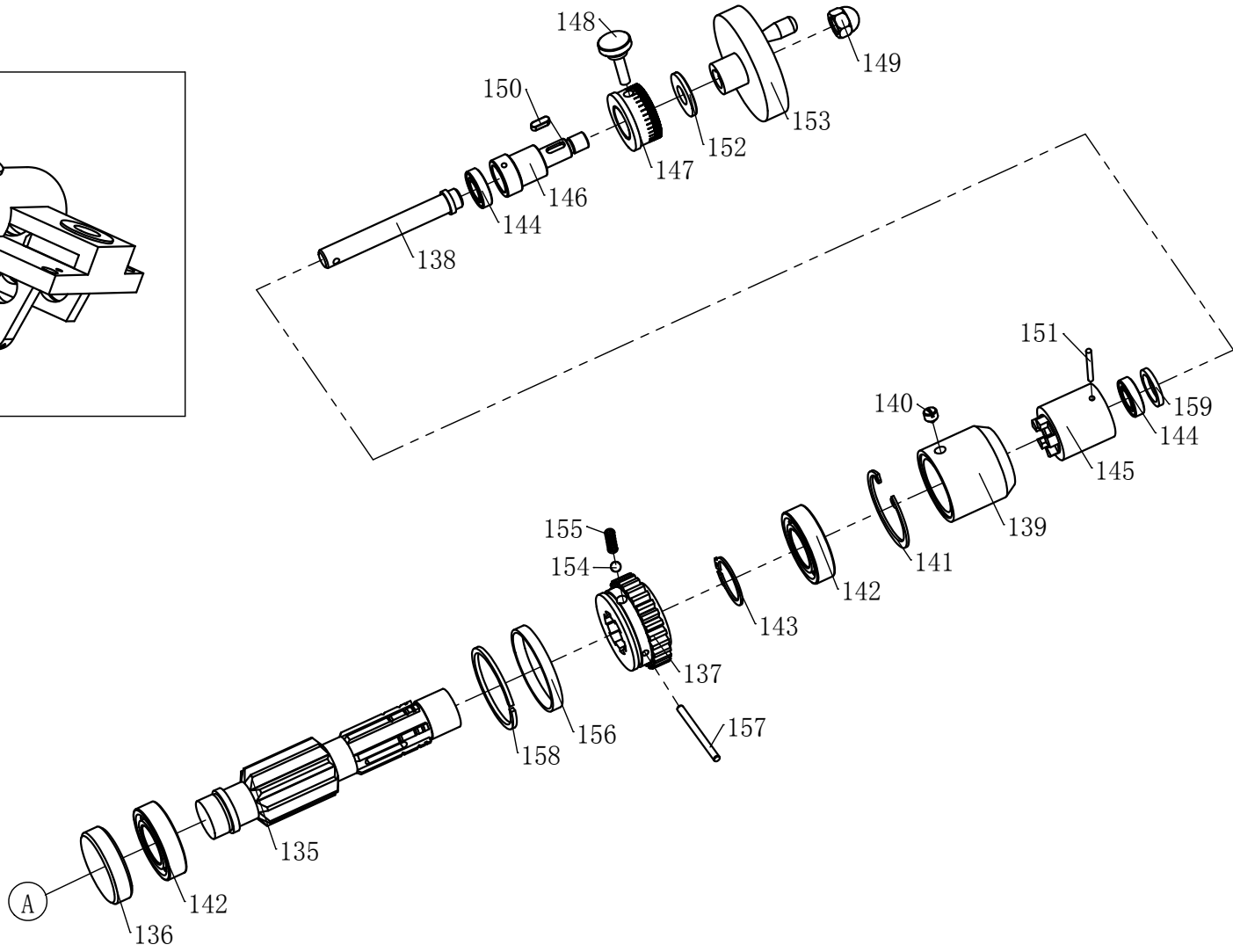
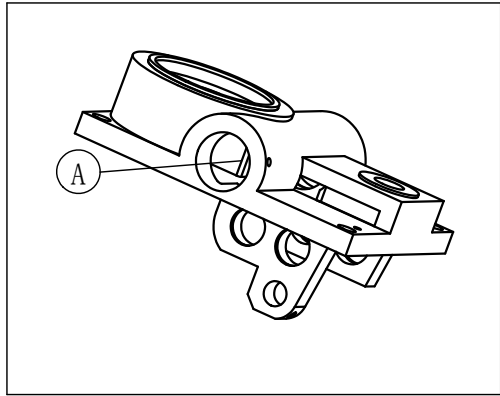
# 06 Headstock part



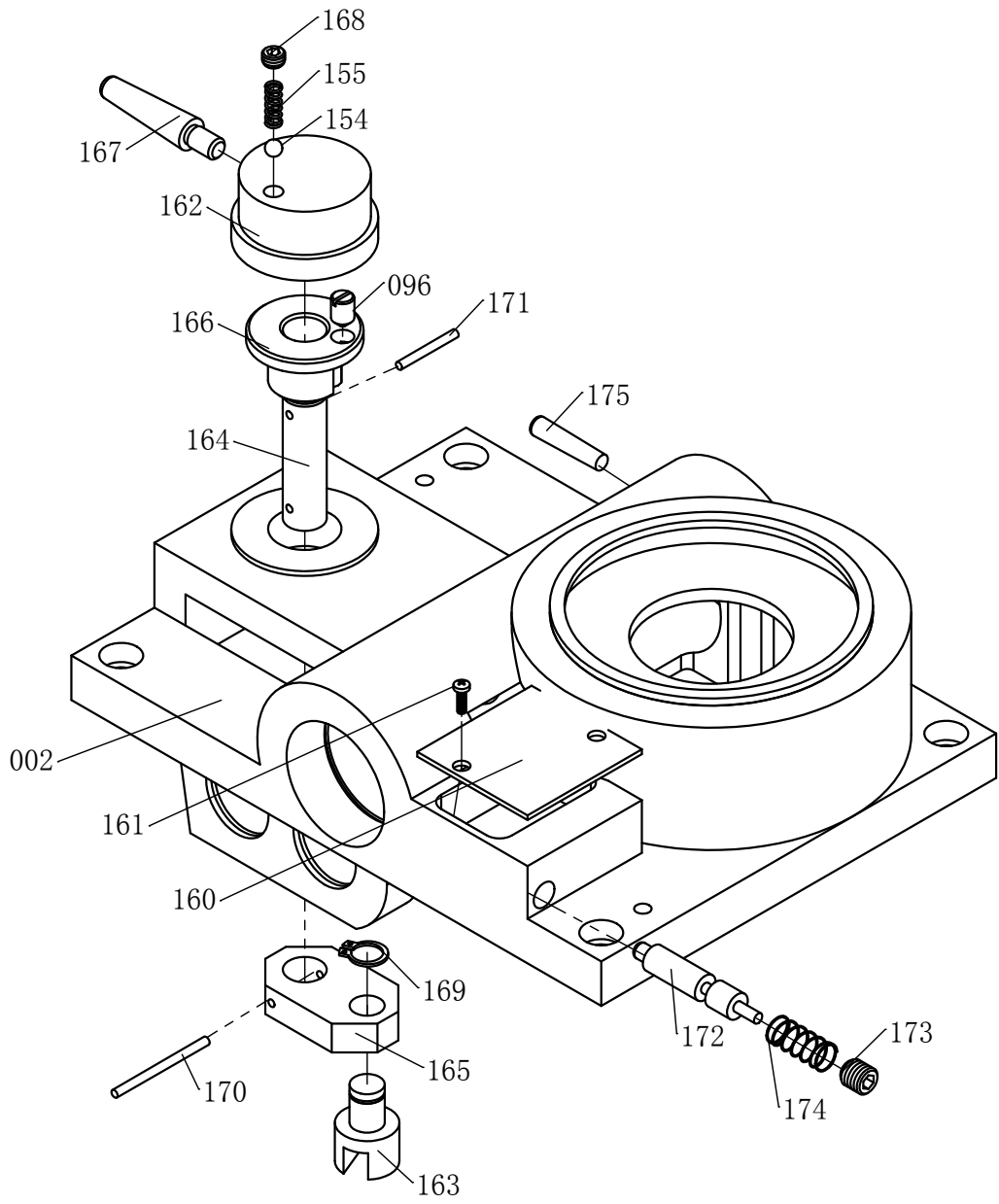
# 06 Headstock part



# 06 Headstock part



# 06 Headstock part



## 06 Headstock part

No.	Name	Qty
06001	Main spindle box	1
06002	Side cover	1
06003	Cover	1
06004	Washer	1
06005	M5×12 Hex socket head cap screw	4
06006	Angle scale	1
06007	Rivet	11
06008	Clamping block	1
06009	Handle	1
06010	Oil plug	1
06011	Name plate	1
06012	Name plate	1
06013	Washer	1
06014	A6×25 Taper pin with internal thread	2
06015	M8×20 Hexagon socket head cap screws	4
06016	M16×1.5 Oil plug	1
06017	Washer	1
06018	Plug	1
06019	M5×16 Hexagon socket head cap screws	3
06020	M8-20 Hexagon socket set screws with flat point	1
06021	Supporting plate	2
06022	Name plate	1
06023	M2.5×6 Cross recessed pan head screw	6
06024	A6×35 Taper pin with internal thread	2
06025	A8×35 Taper pin with internal thread	2

## 06 Headstock part

No.	Name	Qty
06026	Main spindle	1
06027	Bearing cover	1
06028	6009-RZ Deep groove ball bearing	2
06029	Cover	1
06030	A6×12 Taper pin with internal thread	1
06031	Spline housing	1
06032	50 circlip	3
06033	gear	1
06034	8×50 Parallel key	1
06035	Bush	1
06036	Bearing bush	1
06037	A6×30 Taper pin	2
06038	Washer	1
06039	7008AC-P5 bearing	1
06040	Drawbar	1
06041	Lock washer	1
06042	M39×1.5 Round nut	1
06043	Key	2
06044	M6×16 Hexagon socket head cap screw	2
06045	32012/P5 Tapered roller bearing	1
06046	Cover	1
06047	Sleeve	1
06048	Washer	1
06049	Cover	1
06050	M5×10 Hexagon socket head cap screw	4

## 06 Headstock part

No.	Name	Qty
06051	Screw	1
06052	Scale plate	1
06053	Guide plate	1
06054	Joint	1
06055	Handle	1
06056	M5x8 Hexagon socket head cap screw	4
06057	A3x12 Taper pin	1
06058	4x28 Elastic cylinder pin	1
06059	M4x12 Cross recessed countersunk flat head screw	4
06060	Bush	1
06061	Nut	1
06062	Bearing cover	1
06063	Worm	1
06064	62 Spring retaining ring	2
06065	8x40 Parallel key	3
06066	40 Spring retaining ring	2
06067	30 Spring retaining ring	4
06068	6206-RZ Deep groove ball bearing	1
06069	Gear	1
06070	Gear	1
06071	6210-RZ Deep groove ball bearing	1
06072	Bevel wheel	1
06073	72 Spring retaining ring	2
06074	O-seal ring	1
06075	Bush	1

## 06 Headstock part

No.	Name	Qty
06076	O-seal ring	1
06077	Oil seal	1
06078	Shaft	1
06079	Gear	1
06080	61910-RZ Deep groove ball bearing	1
06081	6207-RZ Deep groove ball bearing	1
06082	A8x50 Taper pin with internal thread	1
06083	8x36 Parallel key	1
06084	35 Spring retaining ring	1
06085	Spline shaft	1
06086	5x20 Parallel key	1
06087	17 Spring retaining ring	2
06088	20 Spring retaining ring	2
06089	35 Spring retaining ring	8
06090	6003-Z Deep groove ball bearing	3
06091	6202-Z Deep groove ball bearing	1
06092	Gear	1
06093	Gear	1
06094	Shaft	1
06095	Gear	1
06096	M8-12 Slotted taper end holding screw	2
06097	61903-Z Deep groove ball bearing	2
06098	30 Spring retaining rings	1
06099	Gearshaft	1
06100	Gear	1



## 06 Headstock part

No.	Name	Qty
06101	Gear	1
06102	Washer	2
06103	22 Spring retaining rings	1
06104	6x18 Parallel key	2
06105	Shaft	1
06106	Handle seat	1
06107	Cover	1
06108	M8x16 Hex socket head cap screw	1
06109	Sliding block	1
06110	Slip ring support	1
06111	M30-1.5 Round nut	2
06112	30 Lock washer	2
06113	6206-Z Deep groove ball bearing	1
06114	Washer	1
06115	Clutch	1
06116	Worm wheel	1
06117	Bush	1
06118	Washer	1
06119	6008-Z Deep groove ball bearing	1
06120	8x18 Parallel key	1
06121	12x22 Parallel key	1
06122	Bush	1
06123	M6-30 Hex socket head cap screw	2
06124	Coil spring	1
06125	Spring Cover	1

## 06 Headstock part

No.	Name	Qty
06126	4x8 Elastic cylindrical pin	1
06127	46.2x1.8 O-seal ring	4
06128	Support plate	1
06129	M6-10 Hexagon socket head cap screws	6
06130	Guide rod	1
06131	Handle lever	4
06132	Handle bush	4
06133	Push button	4
06134	1x10x30 Pressure spring	4
06135	Worm shaft	1
06136	End cover	1
06137	Gear	1
06138	Shaft	1
06139	Bush	1
06140	M8x8 Slotted taper end holding screw	1
06141	47 Spring retaining rings	1
06142	6005 Deep groove ball bearing	2
06143	28 Spring retaining rings	1
06144	61901-Z Deep groove ball bearing	2
06145	Bush	1
06146	Spindle	1
06147	Index ring	1
06148	Knurled screw	1
06149	M10 Cap nut	1
06150	4x12 Parallel key	1

## 06 Headstock part

No.	Name	Qty
06151	A3x32 Taper pins	1
06152	Washer	1
06153	12x100 Handwheel	1
06154	Steel ball	2
06155	Pressure spring 0.8x5x16	2
06156	Bush	1
06157	Cylindrical pinB4x50	1
06158	Retaining ring	1
06159	Washer	1
06160	Plate	1
06161	M3x10 Cross recessed pan head screws	5
06162	Handle seat	1
06163	Shifting fork	1
06164	Shaft	1
06165	Rocker arm	1
06166	Bush	1
06167	Handle	1
06168	M8-5 Hex socket flat end holding screw	1
06169	12 Spring retaining rings	1
06170	A3x45 Taper pin	1
06171	A3x28 Taper pin	1
06172	handspike	1
06173	M10x10 Hex socket flat end holding screw	1
06174	0.5x5x24 Pressure spring	1
06175	A6x32 Taper pin with internal thread	1