

# **J E T**

**JMD-45PF**

**Milling Drill Center**

**50000400T**

**400/50/3**

**PARTS LIST**

**ERSATZTEILLISTE**

**LISTE DE PIECES**

**WMH Tool Group AG**

Bahnstrasse 24, CH – 8603 Schwerzenbach

[www.wmhtoolgroup.ch](http://www.wmhtoolgroup.ch); [info@wmhtoolgroup.ch](mailto:info@wmhtoolgroup.ch)

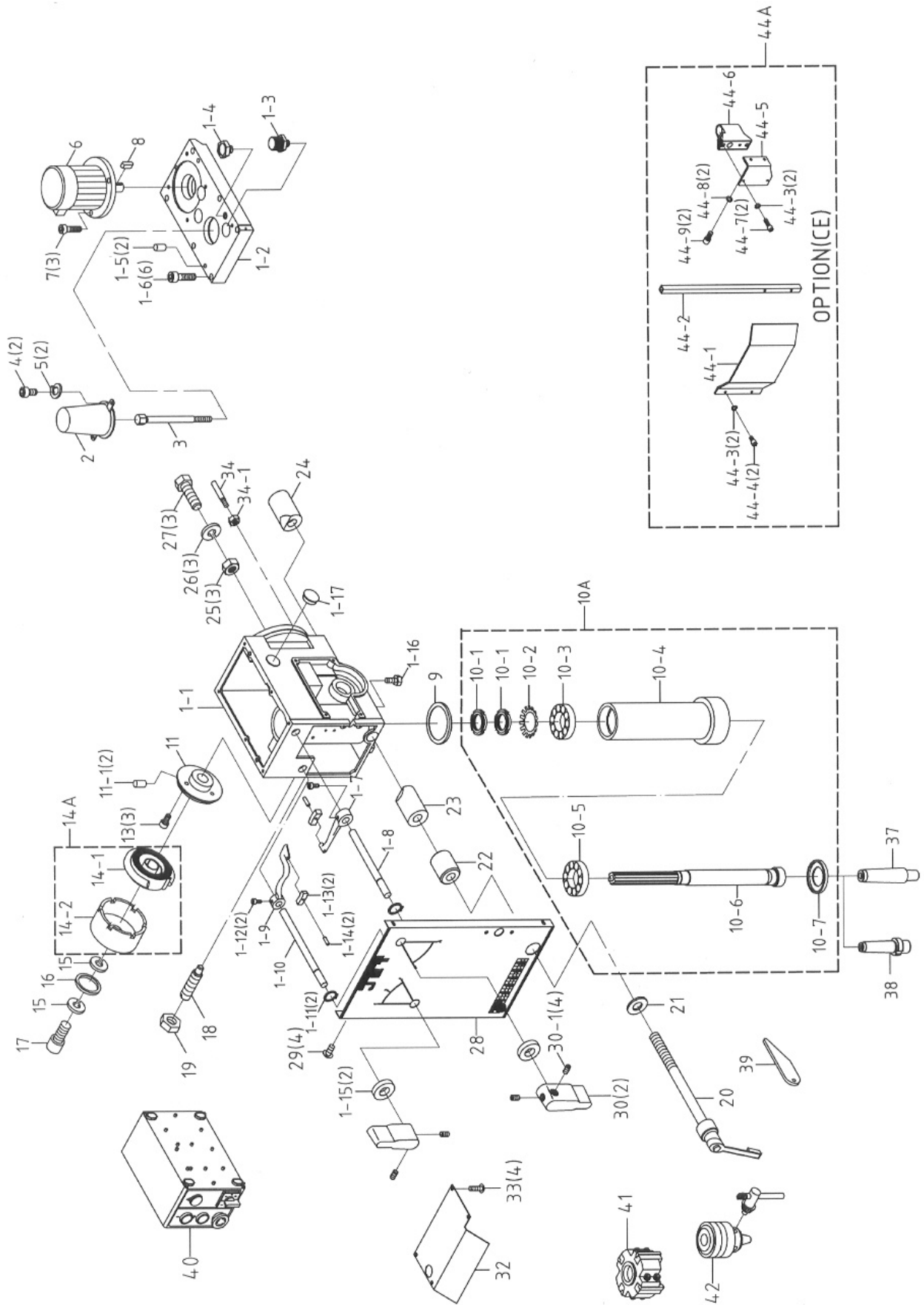
Tel +41 (0) 44 806 47 48

Fax +41 (0) 44 806 47 58

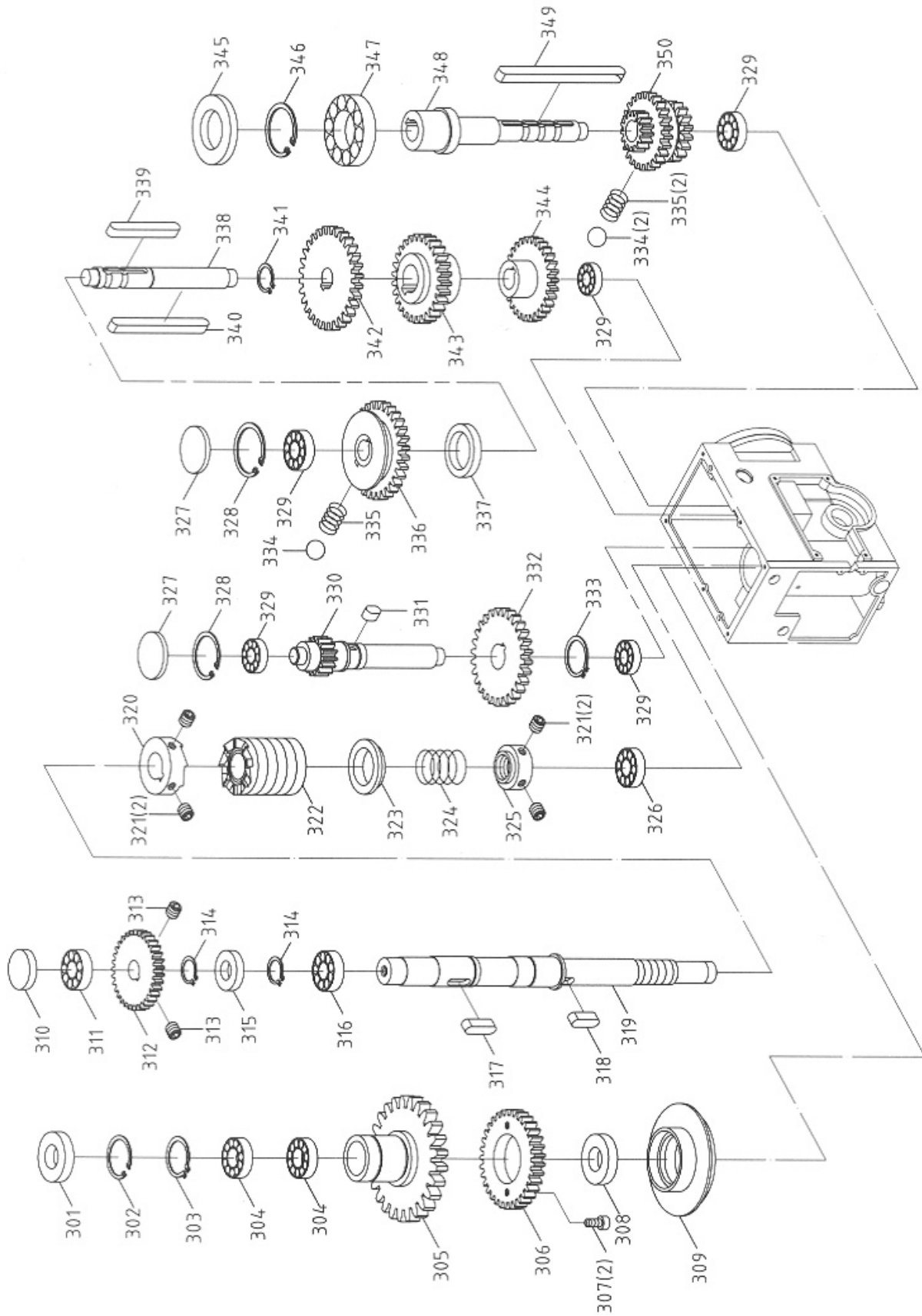


P-50000400T 09/04

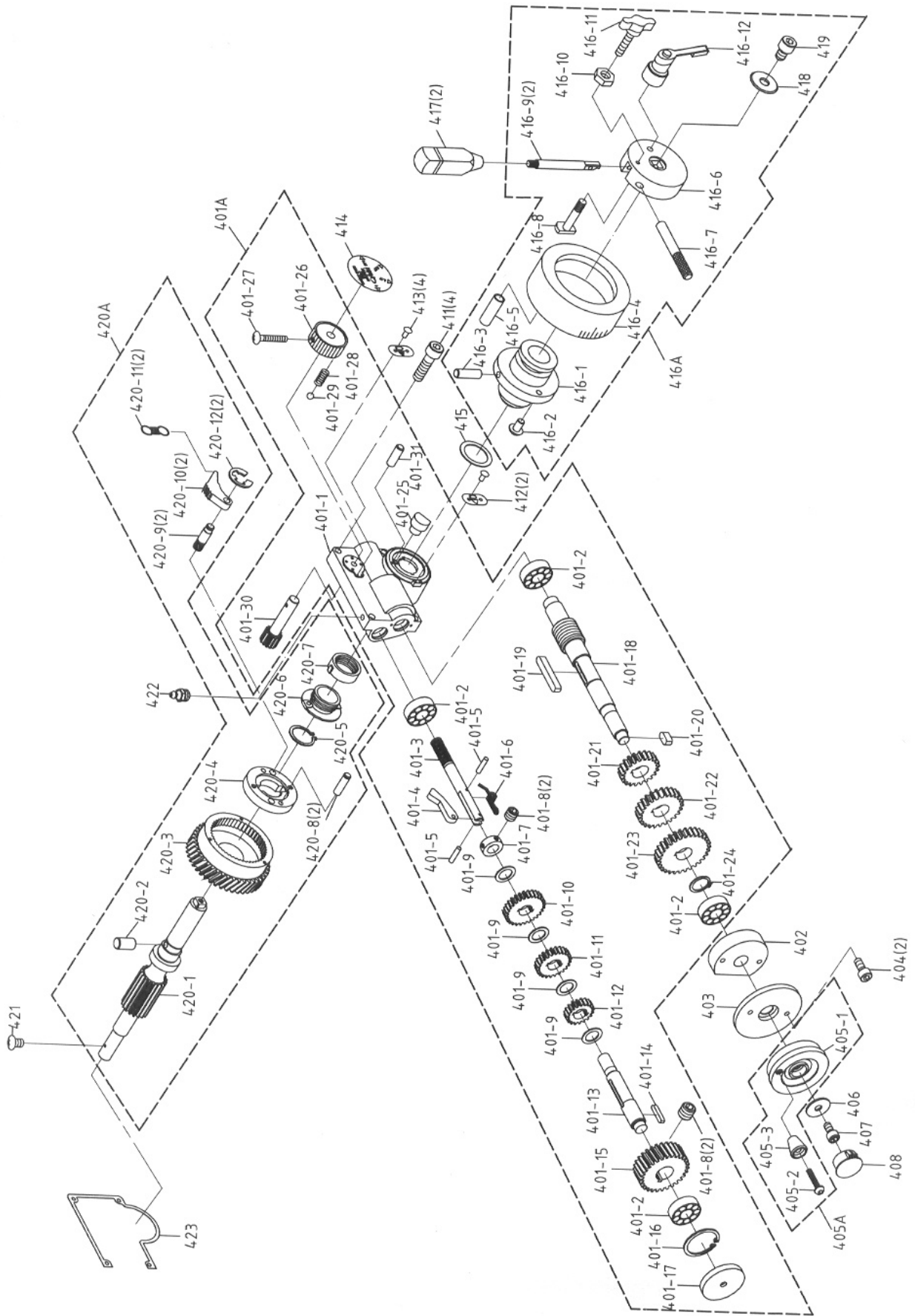
# Breakdown for the JMD- 45PF Milling Drilling Center Transmission Assembly



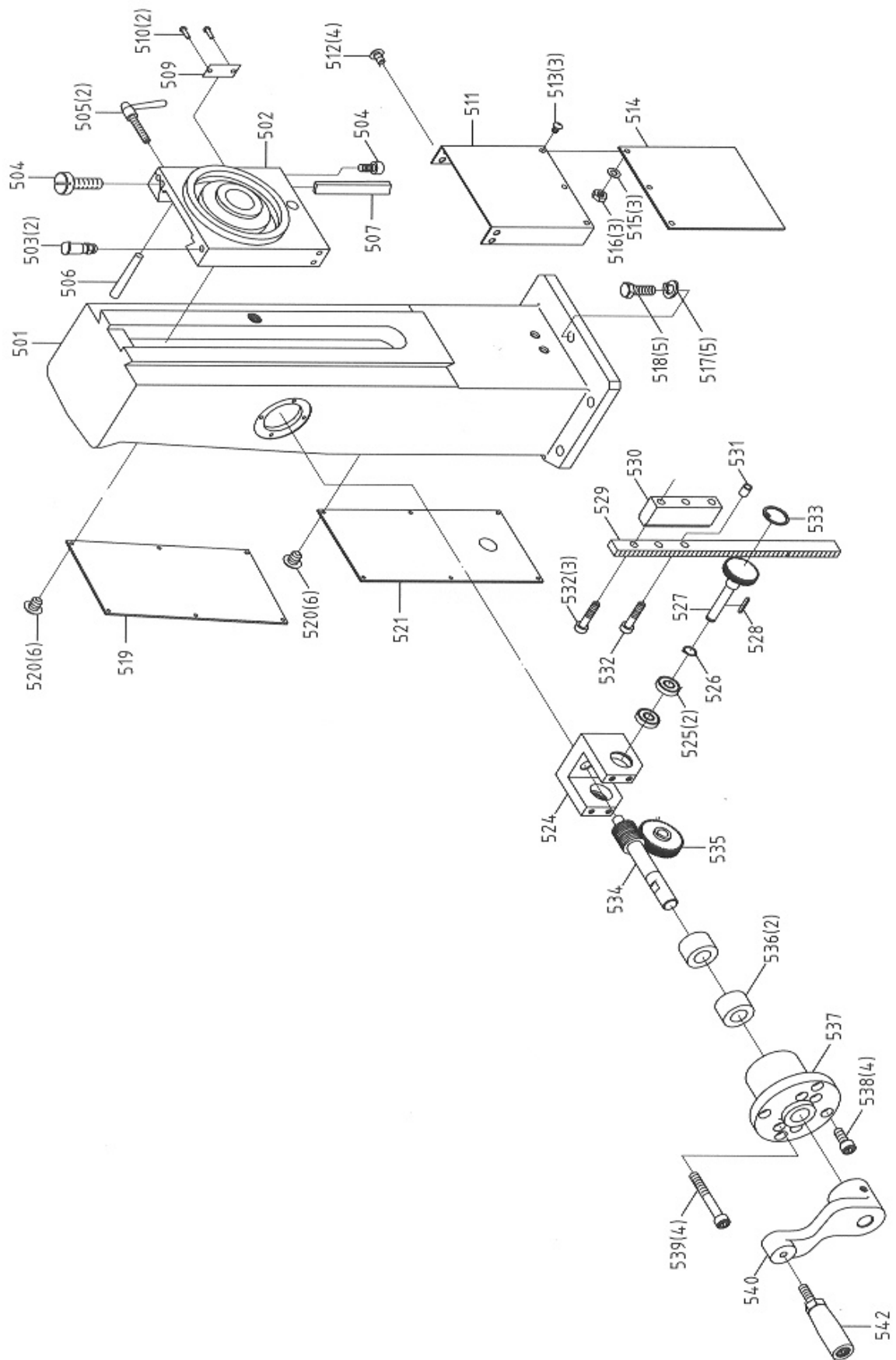
# Breakdown for the JMD- 45PF Milling Drilling Center Head Assembly



# Breakdown for the JMD- 45PF Milling Drilling Center Head Assembly



# Breakdown for the JMD- 45PF Milling Drilling Center Column Assembly



**Parts List for the JMD-45PF Milling Drilling Center  
Transmission, Head and Column Assembly**

Index No.	Part No.	Description	Size	Qty.
1A	JMD45PF-001	Head Body Set		1
1-1	JMD45PF-001-1	Head Body		1
1-2	JMD45PF-001-2	Head Body Cover		1
1-3	JMD45PF-001-3	Vent Plug		1
1-4	JMD45PF-001-4	Hex Socket Plug		1
1-5	JMD45PF-001-5	Miter Pin	ø 3/8"x2"L	2
1-6	JMD45PF-001-6	Hex. Socket Head Screw	3/8"-16UNC	6
1-7	JMD45PF-001-7	Gear Lever		1
1-8	JMD45PF-001-8	Lever Shaft		1
1-9	JMD45PF-001-9	Gear Lever		1
1-10	JMD45PF-001-10	Lever Shaft		1
1-11	JMD45PF-001-11	C-Retainer Ring		2
1-12	JMD45PF-001-12	Cross Round Head Screw	1/4"-20UNC	2
1-13	JMD45PF-001-13	Gear Lever Bracket		2
1-14	JMD45PF-001-14	Pin	ø 4x16	2
1-15	JMD45PF-001-15	Oil Seal	ø 12x ø 22x7t	2
1-16	JMD45PF-001-16	Hex Socket Plug	1/4"	1
1-17	JMD45PF-001-17	Fluid Lever Indicator	ø29	1
2	JMD45PF-002	Main Shaft Cover		1
3	JMD45PF-003	Draw bar MT-3	M12,MT-3	1
3	JMD45PF-003E	Draw bar ISO-30	M12, ISO-30	1
4	JMD45PF-004	Hex. Socket Head Screw	M4x0.7Px6	2
5	JMD45PF-005	Spring Washer	M4	2
6	TS-M252C	Motor	400V/2PH	1
7	JMD45PF-007	Hex. Socket Head Screw	3/8"-16UNC	3
8	JMD45PF-008	Key	6x6x30	1
9	JMD45PF-009	Rubber Flange		1
10A	JMD45PF-010	Pinion Asbly	MT-3	1
10A	JMD45PF-010E	Pinion Asbly	ISO-30	1
10-1	JMD45PF-010-1	Locknuts		2
10-2	JMD45PF-010-2	Washer	ø30	1
10-3	JMD45PF-010-3	Taper Roller Bearing		1
10-4	JMD45PF-010-4	Rack Sleeve	MT3/ISO30	1
10-5	JMD45PF-010-5	Taper Roller Bearing		1
10-6	JMD45PF-010-6	Spindle Shaft	MT3	1
10-6	JMD45PF-010-6E	Spindle Shaft	ISO30	1
10-7	JMD45PF-010-7	Bearing Cap	MT3	1
10-7	JMD45PF-010-7E	Bearing Cap	ISO30	1
11	JMD45PF-011	Spring Base		1
11-1	JMD45PF-011-1	Pin	ø 3x12	2
13	JMD45PF-013	Cross Round Head Screw		3
14A	JMD45PF-014	Taper Roller Bearing		1
14-1	JMD45PF-014-1	Spring		1
14-2	JMD45PF-014-2	Spring Cover		1
15	JMD45PF-015	Spring Washer	1/4"x1"x1.5t	2
16	TS-0680021	Washer	1/4"	1
17	JMD45PF-017	Hex. Socket Head Screw	1/4"x5/8	1
18	JMD45PF-018	Screw Key	3/8"-16UNC	1
19	TS-0561031	Hex. Nut	3/8"	1
20	JMD45PF-020	Handle Rod		1
21	JMD45PF-021	Washer	1/2"x7/8"x2t	1
22	JMD45PF-022	Fixed Tight Collar		1
23	JMD45PF-023	Fixed Tight Collar		1

Index No.	Part No.	Description	Size	Qty.
24.....	JMD45PF-024 .....	Fixed Tight Collar .....		1
25.....	JMD45PF-025 .....	Nut.....	5/8"-11UNC.....	3
26.....	TS-0680081.....	Washer .....	5/8" .....	3
27.....	JMD45PF-027 .....	Fixed Bolt .....		3
28.....	JMD45PF-028 .....	Name Plate.....		1
29.....	JMD45PF-029 .....	Cross Round Head Screw.....	3/16"-24UNC.....	4
30.....	JMD45PF-030 .....	Speed Lever .....		2
30-1 ...	JMD45PF-030-1 .....	Hex. Socker Headless Screw.....	5/16"x5/16".....	4
32.....	JMD45PF-032 .....	Dust Plate.....		1
33.....	JMD45PF-033 .....	Cross Round Head Screw.....	3/16"-24UNC.....	4
34.....	JMD45PF-034 .....	Miter Pin .....	M6x ø7 .....	1
34-1 ...	JMD45PF-034-1 .....	Hexagon Nut .....	M6 .....	1
37.....	JMD45PF-037 .....	Chuck Arbor MT-3 .....	M12xP1.75 .....	1
37.....	JMD45PF-037E .....	Chuck Arbor ISO-30.....	M12xP1.75 .....	1
38.....	JMD45PF-038 .....	Cutter Arbor MT-3 .....	M12xP1.75 .....	1
38.....	JMD45PF-038E .....	Cutter Arbor ISO-30 .....	M12xP1.75 .....	1
40.....	JMD45PF-040 .....	Switch.....		1
41.....	JMD18-086.....	Milling Cutter .....	ø25.4 .....	1
42.....	JMD18-113E .....	Chuck .....		1
44A ....	JMD45PF-044 .....	Chuck Guard Asbly .....		1
44-1 ...	JMD45PF-044-1 .....	Chuck Guard .....		1
44-2 ...	JMD45PF-044- .....	Chuck Guard Supporting Rod .....		1
44-3 ...	JMD45PF-044-3.....	Spring Washer .....	M5 .....	4
44-4 ...	JMD45PF-044-4.....	Hex. Socket Head Screw .....	M5x10 .....	2
44-5 ...	JMD45PF-044-5.....	Chuck Guard Bracket.....		1
44-6 ...	JMD45PF-044-6.....	Rotary Supporting Base .....		1
44-7 ...	JMD45PF-044-7 .....	Hex. Socket Head Screw .....	M5x15L .....	2
44-8 ...	JMD45PF-044-8.....	Spring Washer .....	M6 .....	2
44-9 ...	JMD45PF-044-9.....	Hex. Socket Head Screw .....	M6x15L .....	2
301 ...	JMD45PF-301 .....	Oil Seal.....	ø 40x ø 68x8t .....	1
302 ...	JMD45PF-303 .....	C-Retaniner Ring .....	R68.....	1
303 ...	JMD45PF-304 .....	C-Retaniner Ring .....	S40.....	1
304 ...	BB-6008Z .....	Ball Bearing.....	6008ZZ.....	2
305 ...	JMD45PF-306 .....	Gear .....		1
306 ...	JMD45PF-306 .....	Gear .....		1
307 ...	JMD45PF-307 .....	Hex. Socket Head Screw .....	M5x12 .....	2
308 ...	JMD45PF-308 .....	Oil Sea.....	ø 35x ø 45x8t .....	1
309 ...	JMD45PF-309 .....	Oil Seal Ring .....		1
310 ...	JMD45PF-310 .....	Dust Cover .....	ø 35 .....	1
311 ...	BB-620ZZ .....	Bearing.....	620ZZ.....	1
312 ...	JMD45PF-312 .....	Gear .....		1
313 ...	JMD45PF-313 .....	Hex. Socker Headless Screw.....	M6x6 .....	2
314 ...	JMD45PF-314 .....	C-Retainer ring.....	S17 .....	2
315 ...	JMD45PF-315 .....	Oil Seal.....	ø 17x ø 35x8t .....	1
316 ...	BB-6003ZZ .....	Bearing.....	6003ZZ.....	1
317 ...	JMD45PF-317 .....	Key .....	5x5x16.....	1
318 ...	JMD45PF-318 .....	Key .....	5x5x10.....	1
319 ...	JMD45PF-319 .....	Transmission Worm .....		1
320 ...	JMD45PF-320 .....	Clutch Block .....		1
321 ...	JMD45PF-321 .....	Hex. Socker Headless Screw.....	M5x5 .....	4
322 ...	JMD45PF-322 .....	Worm Shaft .....		1
323 ...	JMD45PF-323 .....	Bushing .....		1
324 ...	JMD45PF-324 .....	Spring.....		1
325 ...	JMD45PF-325 .....	Nut.....		1
326 ...	BB-6001Z .....	Bearing.....	6001ZZ.....	1
327 ...	JMD45PF-327 .....	Dust Cover .....	ø 35 .....	2

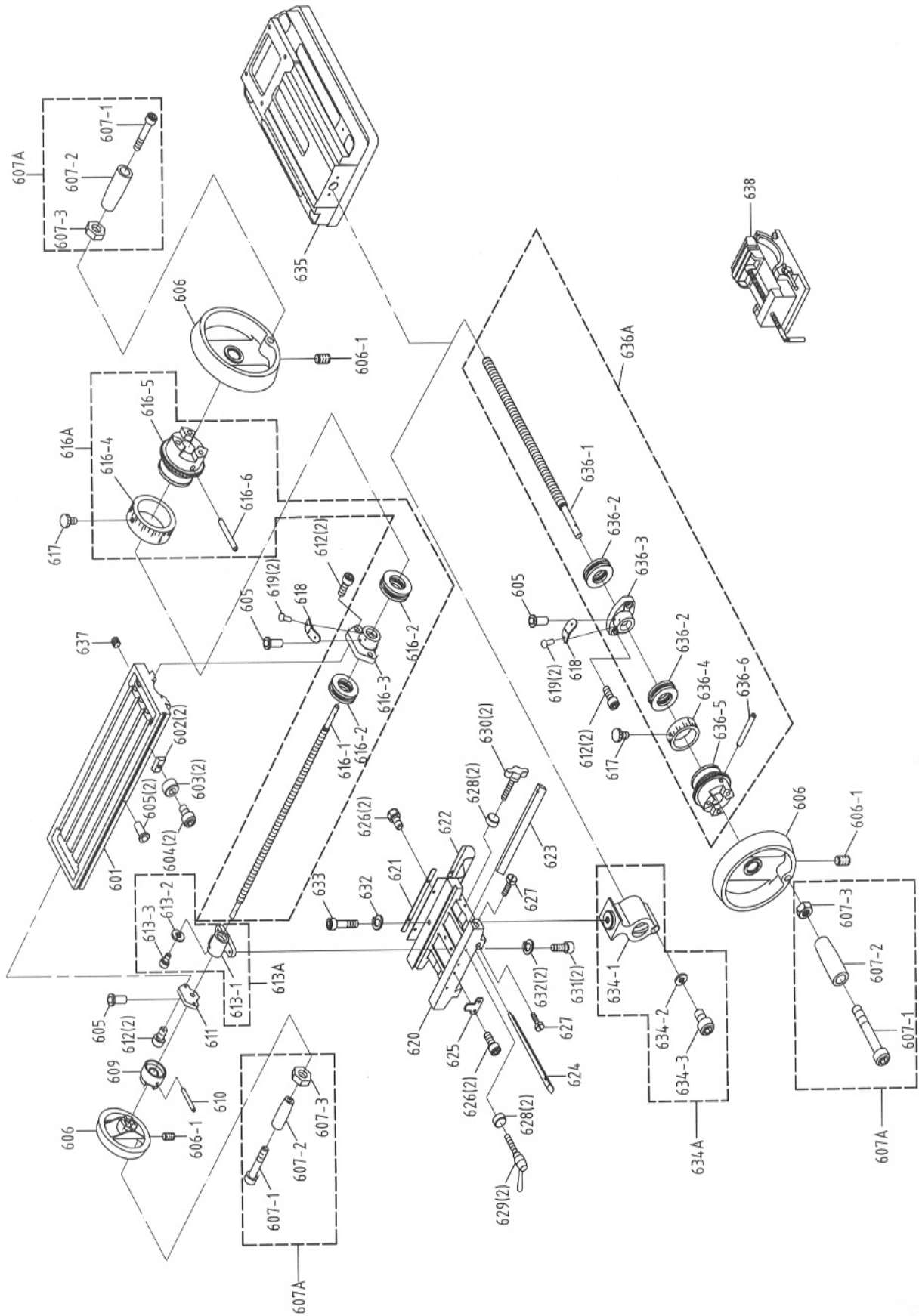
Index No.	Part No.	Description	Size	Qty.
328	JMD45PF-328	C-Retainer ring	R35	2
329	BB-6002Z	Ball Bearing	6002ZZ	5
330	JMD45PF-330	Gear Shaft		1
331	JMD45PF-331	Key	6x6x10	1
332	JMD45PF-332	Gear		1
333	JMD45PF-333	C-Retainer Ring	S22	1
334	JMD45PF-334	Steel Ball	ø 5/16"	3
335	JMD45PF-335	Spring	ø 0.8x7	3
336	JMD45PF-336	Gear Set		1
337	JMD45PF-337	Bushing		1
338	JMD45PF-338	Gear Shaft		1
339	JMD45PF-339	Key	6x6x50	1
340	JMD45PF-340	Key	6x6x75	1
341	JMD45PF-341	C-Retainer Ring	S18	1
342	JMD45PF-342	Gear		1
343	JMD45PF-343	Gear		1
344	JMD45PF-344	Gear		1
345	JMD45PF-345	Oil Seal	ø 35x ø 62x8t	1
346	JMD45PF-346	C-Retainer Ring	R62	1
347	BB-6007Z	Ball Bearing	6007ZZ	1
348	JMD45PF-348	Gear Shaft		1
349	JMD45PF-349	Key	5x5x80	1
350	JMD45PF-350	Gear Set		1
401A	JMD45PF-401	Gear Box Assembly		1
401-1	JMD45PF-401-1	Gear Box		1
401-2	BB-6003Z	Bearing	6003ZZ	4
401-3	JMD45PF-401-3	Change Gear Lever		1
401-4	JMD45PF-401-4	Speed-Changing Key		1
401-5	JMD45PF-401-5	Pin	ø 3x10	2
401-6	JMD45PF-401-6	Twisted Spring		1
401-7	JMD45PF-401-7	Bushing Bracket		1
401-8	JMD45PF-401-8	Hex. Socker Headless Screw	M6x6	4
401-9	JMD45PF-401-9	Bushing		4
401-10	JMD45PF-401-10	Gear	ø27	1
401-11	JMD45PF-401-11	Gear		1
401-12	JMD45PF-401-12	Gear		1
401-13	JMD45PF-401-13	Worm Shaft		1
401-14	JMD45PF-401-14	Key	5x5x28	1
401-15	JMD45PF-401-15	Worm Gear		1
401-16	JMD45PF-401-16	C-Retainer ring	R35	1
401-17	JMD45PF-401-17	Cover		1
401-18	JMD45PF-401-18	Transmission Worm Shaft		1
401-19	JMD45PF-401-19	Key	5x5x32	1
401-20	JMD45PF-401-20	Key	4x4x10	1
401-21	JMD45PF-401-21	Gear		1
401-22	JMD45PF-401-22	Gear		1
401-23	JMD45PF-401-23	Gear		1
401-24	JMD45PF-401-24	C-Retainer ring	S19	1
401-25	JMD45PF-401-25	Release Block		1
401-26	JMD45PF-401-26	Speed Lever		1
401-27	JMD45PF-401-27	Cross Round Head Screw	M4x0.7x25	1
401-28	JMD45PF-401-28	Spring		1
401-29	JMD45PF-401-29	Steel Ball	ø 8 or 5/16"	1
401-30	JMD45PF-401-30	Gear Shaft		1
401-31	JMD45PF-401-31	Pin		1
402	JMD45PF-402	Bearing Spacer		1



Index No.	Part No.	Description	Size	Qty
403.....	JMD45PF-403 .....	Graduated Bottom Plate.....		1
404.....	JMD45PF-404 .....	Hex. Socket Head Screw .....	M5x30 .....	2
405A ..	JMD45PF-405 .....	Handwheel Assembly.....		1
405-1 ..	JMD45PF-405-1 .....	Wheel .....		1
405-2 ..	JMD45PF-405-2 .....	Screw .....	5/16" .....	1
405-3 ..	JMD45PF-405-3 .....	Knob .....		1
406.....	JMD45PF-406 .....	Washer .....	M6 .....	1
407.....	JMD45PF-407 .....	Hex. Socket Head Screw .....	M6x12 .....	1
408.....	JMD45PF-408 .....	Plug .....	7/8" .....	1
411.....	JMD45PF-411 .....	Hex. Socket Head Screw .....	5/16"x1-1/4" .....	4
412.....	JMD45PF-412 .....	Scale .....		2
413.....	JMD45PF-413 .....	Rivet .....	ø 2x4 .....	4
414.....	JMD45PF-414 .....	Speed Scale.....		1
415.....	JMD45PF-415 .....	Washer .....		1
416A ..	JMD45PF-416 .....	Clutch Bushing Set.....		1
416-1 ..	JMD45PF-416-1 .....	Clutch Bushing .....		1
416-2 ..	JMD45PF-416-2 .....	Bushing Stop .....		1
416-3 ..	JMD45PF-416-3 .....	Bushing Pin .....		1
416-4 ..	JMD45PF-416-4 .....	Scale Base .....		1
416-5 ..	JMD45PF-416-5 .....	Pin .....	ø 5 .....	1
416-6 ..	JMD45PF-416-6 .....	Handle Body.....		1
416-7 ..	JMD45PF-416-7 .....	Handle Rod Pin .....		2
416-8 ..	JMD45PF-416-8 .....	Scale Base Set Screw.....		1
416-9 ..	JMD45PF-416-9 .....	Knob W/Shaft .....		2
416-10..	TS-0561021 .....	Hex. Nut .....	5/16" .....	1
416-11	JMD45PF-416-11 .....	T Screw .....	5/16"x3/4" .....	1
416-12	JMD45PF-416-12 .....	Graduated Base Fixed Grip .....		1
417.....	JMD45PF-417 .....	Plastic Round Knob.....		2
418.....	JMD45PF-418 .....	Washer .....	M8x23x2t .....	1
419.....	JMD45PF-419 .....	Hex. Socket Head Screw .....	M8x12 .....	1
420A ..	JMD45PF-420 .....	Pinion Shaft Set .....		1
420-1 ..	JMD45PF-420-1 .....	Pinion Shaft.....		1
420-2 ..	JMD45PF-420-2 .....	Key .....		2
420-3 ..	JMD45PF-420-3 .....	Worm Gear.....		1
420-4 ..	JMD45PF-420-4 .....	Clutch Key Base.....		1
420-5 ..	JMD45PF-420-5 .....	C-Retainer ring.....	S25.....	1
420-6 ..	JMD45PF-420-6 .....	Cluth Screw .....		1
420-7 ..	JMD45PF-420-7 .....	Cluth Nut .....		1
420-8 ..	JMD45PF-420-8 .....	Spring Pin.....		2
420-9 ..	JMD45PF-420-9 .....	Clutch Key Pin.....		2
420-10	JMD45PF-420-10 .....	Clutch Key .....		2
420-11	JMD45PF-420-11 .....	Spring .....		2
420-12	JMD45PF-420-12 .....	E-Ring .....		2
421.....	JMD45PF-421 .....	Flat Cross Head Screw .....	3/16"x3/8" .....	1
422.....	JMD45PF-422 .....	Oil Nozzle .....	1/8" .....	1
423.....	JMD45PF-423 .....	Rubber Plate .....		1
501.....	JMD45PF-501 .....	Vertical Square Column .....		1
502.....	JMD45PF-502 .....	Headstock Swivel Base.....		1
503.....	JMD45PF-504 .....	Oil Seal.....	1/8" .....	2
504.....	JMD45PF-504 .....	Gib Strip Bolt .....		2
505.....	JMD45PF-505 .....	Grip.....		2
506.....	JMD45PF-506 .....	Miter Pin .....	M6x50 .....	1
507.....	JMD45PF-509 .....	Gib Strip .....		1
509.....	JMD45PF-509 .....	Plate .....		1
510.....	JMD45PF-510 .....	Rivet .....	ø 2-5.....	2
511.....	JMD45PF-511 .....	Antidust Plate .....		1

Index No.	Part No.	Description	Size	Qty
512.....	JMD45PF-512	Cross Round Head Screw.....	M5x10 .....	4
513.....	JMD45PF-513	Cross Round Head Screw.....	M5x6 .....	3
514.....	JMD45PF-514	Antidust Plate .....	.....	1
515.....	JMD45PF-515	Washer .....	M5 .....	3
516.....	JMD45PF-516	Hex. Nut .....	M5 .....	3
517.....	JMD45PF-517	Spring Washer .....	M20 .....	5
518.....	JMD45PF-518	Hex. Head Screw .....	M20x60 .....	5
519.....	JMD45PF-519	Steel Plate .....	.....	1
520.....	JMD45PF-520	Cross Round Head Screw.....	M5x10 .....	12
521.....	JMD45PF-521	Steel Plate .....	.....	1
524.....	JMD45PF-524	Bracket .....	.....	1
525.....	BB-6003Z	Bearing .....	6003ZZ.....	2
526.....	JMD45PF-526	C-Retaniner Ring .....	S17 .....	1
527.....	JMD45PF-527	Gear Shaft .....	.....	1
528.....	JMD45PF-528	Key .....	5x5x28.....	1
529.....	JMD45PF-529	Rack .....	.....	1
530.....	JMD45PF-530	Bushing .....	.....	1
531.....	JMD45PF-532	Bushing .....	.....	1
532.....	JMD45PF-532	Hex. Socket Head Screw .....	M12x85 .....	4
533.....	JMD45PF-533	C-Retaniner Ring .....	R35.....	1
534.....	JMD45PF-534	Worm Shaft .....	.....	1
535.....	JMD45PF-535	Worm Gear.....	.....	1
536.....	JMD45PF-536	Bearing .....	.....	2
537.....	JMD45PF-537	Support Flange.....	.....	1
538.....	JMD45PF-538	Hex. Socket Head Screw .....	M8x25 .....	4
539.....	JMD45PF-539	Hex. Socket Head Screw .....	M8x60 .....	4
540.....	JMD45PF-540	Head Handle Set.....	.....	1
542.....	JMD45PF-542	Clamp Handle .....	.....	1

# Breakdown for the JMD-45PF Milling Drilling Center Table and Base Assembly



**Parts List for the JMD-45PF Milling Drilling Center  
Table and Base Assembly**

Index No.	Part No.	Description	Size	Qty.
601	JMD45PF-610	Table	30L	1
602	JMD45PF-602	Fixed Block		2
603	JMD45PF-603	Movable Fixed Ring		2
604	JMD45PF604	Hex. Socket Head Screw	1/4"x1/2"	2
605	JMD45PF-605	Oil Ball	1/4"	5
606	JMD18-201	Table Handle Wheel	ø 17	3
606-1	TS-0267041	Hex. Socker Headless Screw	1/4"x3/8	3
607A	JMD18-201A	Clamp Handle		3
607-1	JMD18-201-1	Hex. Socket Head Screw	3/8"-16UNC	3
607-2	JMD18-201-2	Knob		3
607-3	JMD18-201-3	Hex. Nut	3/8"	3
609	JMD45PF-609	Table Clutch	ø 17	1
610	JMD45PF-610	Pin	ø 5x38	1
611	JMD45PF-611	Left Flange	ø 17	1
612	JMD45PF-612	Hex. Socket Head Screw	5/16"x1"	6
613A	JMD45PF-613	Table Nut Set		1
613-1	JMD45PF-613-1	Table Nut		1
613-2	JMD45PF-613-2	Washer	M5	1
613-3	JMD45PF-613-3	Cheese Head Mach Screw	M5x16	1
616A	JMD45PF-616	Table Screw Asbly	31L	1
616-1	JMD45PF-616-1	Table Screw	31L	1
616-2	JMD45PF-616-2	Bearing		2
616-3	JMD45PF-616-3	Right Flange	ø 17	1
616-4	JMD45PF-616-4	Graduated Dial		1
616-5	JMD45PF-616-5	Dial Clutch	ø 17	1
616-6	JMD45PF-616-6	Pin	ø 5x38	1
617	JMD45PF-617	Link Screw		2
618	JMD45PF-618	Limit Plate		2
619	JMD45PF-619	Rivet	ø 2	4
620	JMD45PF-620	Center Base	30L	1
621	JMD45PF-621	Antidust Plate		1
622	JMD45PF-622	Antidust Plate Set		1
623	JMD45PF-623	Gib Strip	30L	1
624	JMD45PF-624	Gib Strip		1
625	JMD45PF-625	Movable Fixed Block		1
626	JMD45PF-626	Hex. Socket Head Screw	5/16"x1/2"	4
627	JMD45PF-627	Gib Strip Bolt		2
628	JMD45PF-628	Bushing		4
629	JMD45PF-629	Grip		2
630	JMD45PF-630	T Screw		2
631	JMD45PF-631	Hex. Socket Head Screw	5/16"x1"	2
632	JMD45PF-632	Spring Washer	5/16"	3
633	JMD45PF-633	Hex. Socket Head Screw	5/16"x2-1/4"	1
634A	JMD45PF-634	Acme Nut Asbly		1
634-1	JMD45PF-634-1	Acme Nut		1
634-2	JMD45PF-634-2	Spring Washer	M5	1
634-3	JMD45PF-634-3	Hex. Socket Head Screw	M5x16	1
635	JMD45PF-635	Swivel Base		1
636A	JMD45PF-636	Acme Screw Asbly		1
636-1	JMD45PF-636-1	Acme Screw		1
636-2	JMD45PF-636-2	Bearing		1
636-3	JMD45PF-636-3	Square Flange	ø 17	1

Index No.	Part No.	Description	Size	Qty.
636-4	JMD45PF-636-4	Graduated Dial		1
636-5	JMD45PF-636-5	Dial Clutch	∅ 17	1
636-6	JMD45PF-636-6	Pin	∅ 5x38	1
637	JMD45PF-637	Plug	1/4"x3/8"	1
638	365534	Vise		1

**JMD-45PF  
50000400T**

**400/50/3**

	colour of strands	Litzenfarben	couleur des cordons
BK	black	schwarz	noir
BU	blue	blau	bleu
BN	brown	braun	brun
GY	grey	grau	gris
GNYE	green-yellow	grün-gelb	vert-jaune

	meaning of symbol	Bedeutung der Zeichen	interprétation
M	main motor	Hauptmotor	moteur principal
L	indicator lamp	Anzeigelampe	lampe d'indication
S1	emergency stop switch	Not-Aus Schalter	arrêt d'urgence
S2	off switch	Aus-Schalter	bouton arrêt
S3	start switch	Ein-Schalter	bouton marche
S4	work lamp switch	Maschinenleuchte-Schalter	contacteur lampe
KM1	contactor for main motor	Hauptschütz	contacteur moteur
F	fuse	Sicherung	fusible
W	work lamp	Maschinenleuchte	lampe
FR	overload cut-off	Überlastschutz	interrupteur surcharge
TR	transformer	Transformator	transformateur
SQ	limit switch	Positionsendschalter	micro
SA1	2/4p & F/R switch	2/4 Pol & V/R Schalter	bouton 2/4 p & d/g

