

JMD-930GH
JMD-939GH

**УНИВЕРСАЛЬНЫЙ
ФРЕЗЕРНЫЙ СТАНОК**

СПЕЦИФИКАЦИЯ ДЕТАЛЕЙ

ERSATZTEILLISTE

LISTE DE PIECES

Walter Meier AG
WMH Tool Group AG, Bahnstrasse 24, CH-8603 Schwerzenbach
Walter Meier (Fertigung) AG, Bahnstrasse 24, CH-8603 Schwerzenbach
Walter Meier (Tool) AG, CH-8117 Fälladen
www.jettools.com; info@jettools.com
Tel. +41 (0) 44 806 47 48
Fax +41 (0) 44 806 47 58

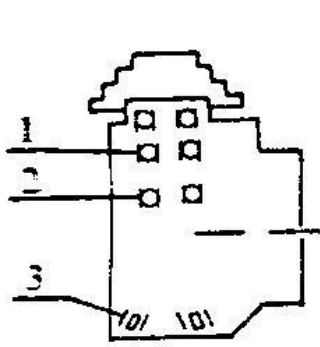
Фирма-импортер ООО «ИТА-СПб»
Санкт-Петербург, Складской проезд, д. 4а, тел.: +7 (812) 334-33-28
Московский офис ООО «ИТА-СПб»
Москва, Переведеновский переулок, д. 17, тел.: +7 (495) 660-38-83
www.jettools.ru; info@jettools.ru

M-ITA930GH ...11/10

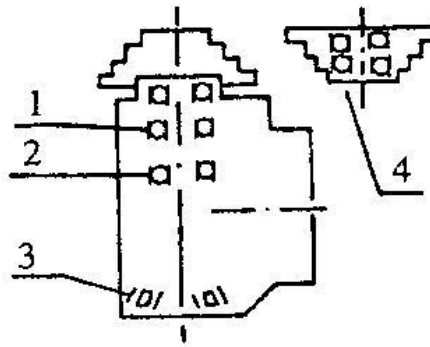
ROLLING BEARING

No.	Location point	Bearing	Model	Quantity	
1	Spindle & belt pulley	Single dustdefence radial ball bearing	60/109/P6	2	2
2	Spindle sleeve	Single dustdefence radial ball bearing	60/109/P6	1	1
3	Spindle sleeve	Single tapered radial bearing	2007110/P6	1	1
4	Middle wheel	Single dustdefence radial ball bearing	60103		2 2
5	Spindle	Single tapered roller bearings	2007111 /p6		1
6	Spindle	Single tapered roller bearings	7308e/p6		1
7	wheel shaft	Single dustdefence radial ball bearing	60105		2
8	I . II . III	Single dustdefence radial ball bearing	60204/P6		6

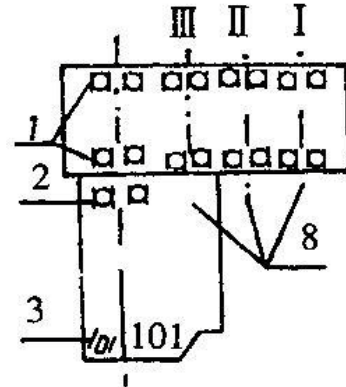
Rolling bearing position



No. 2a

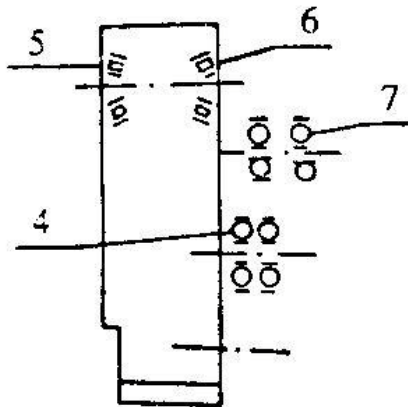


No. 2b



No. 2c

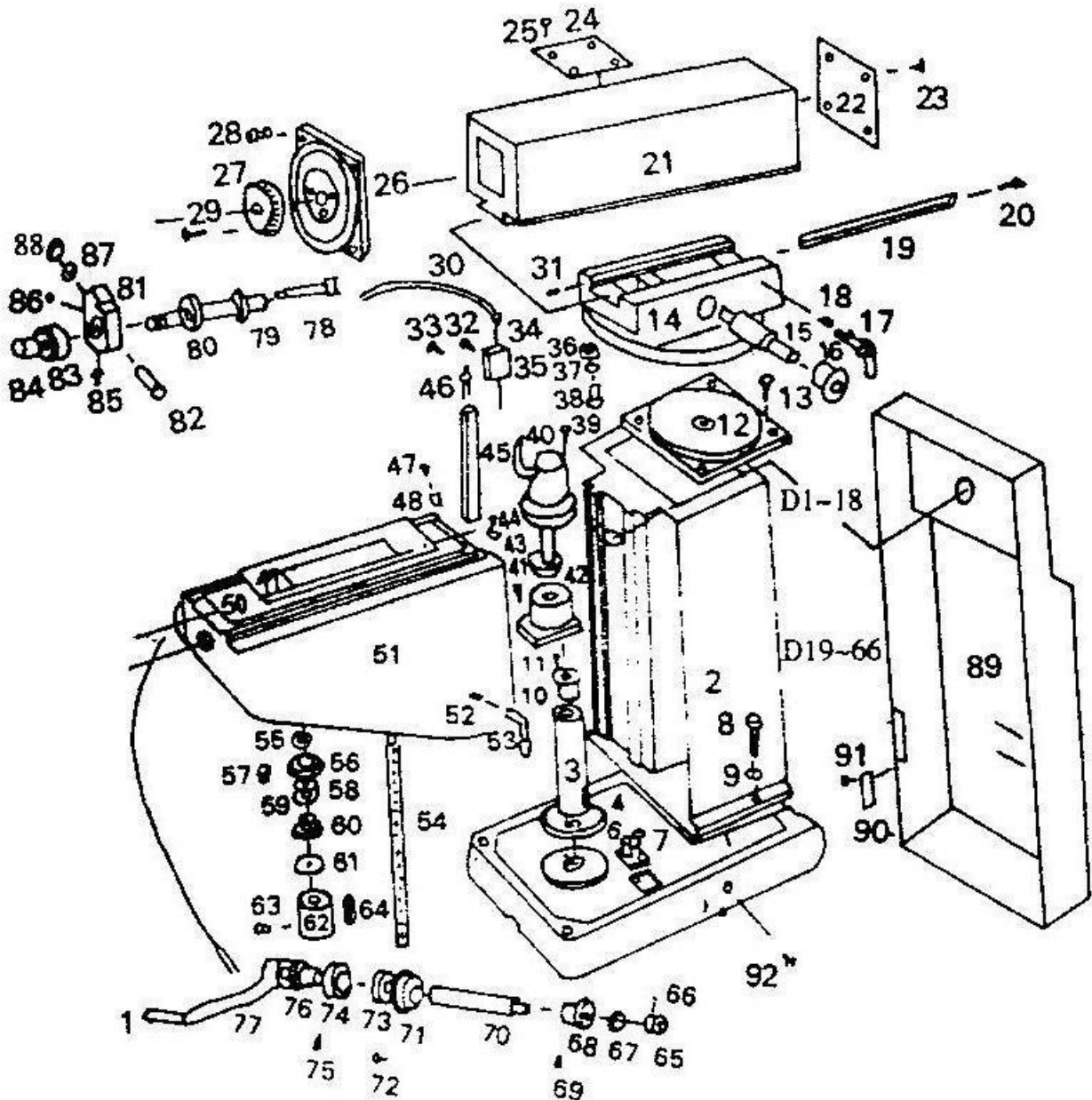
Chart 2



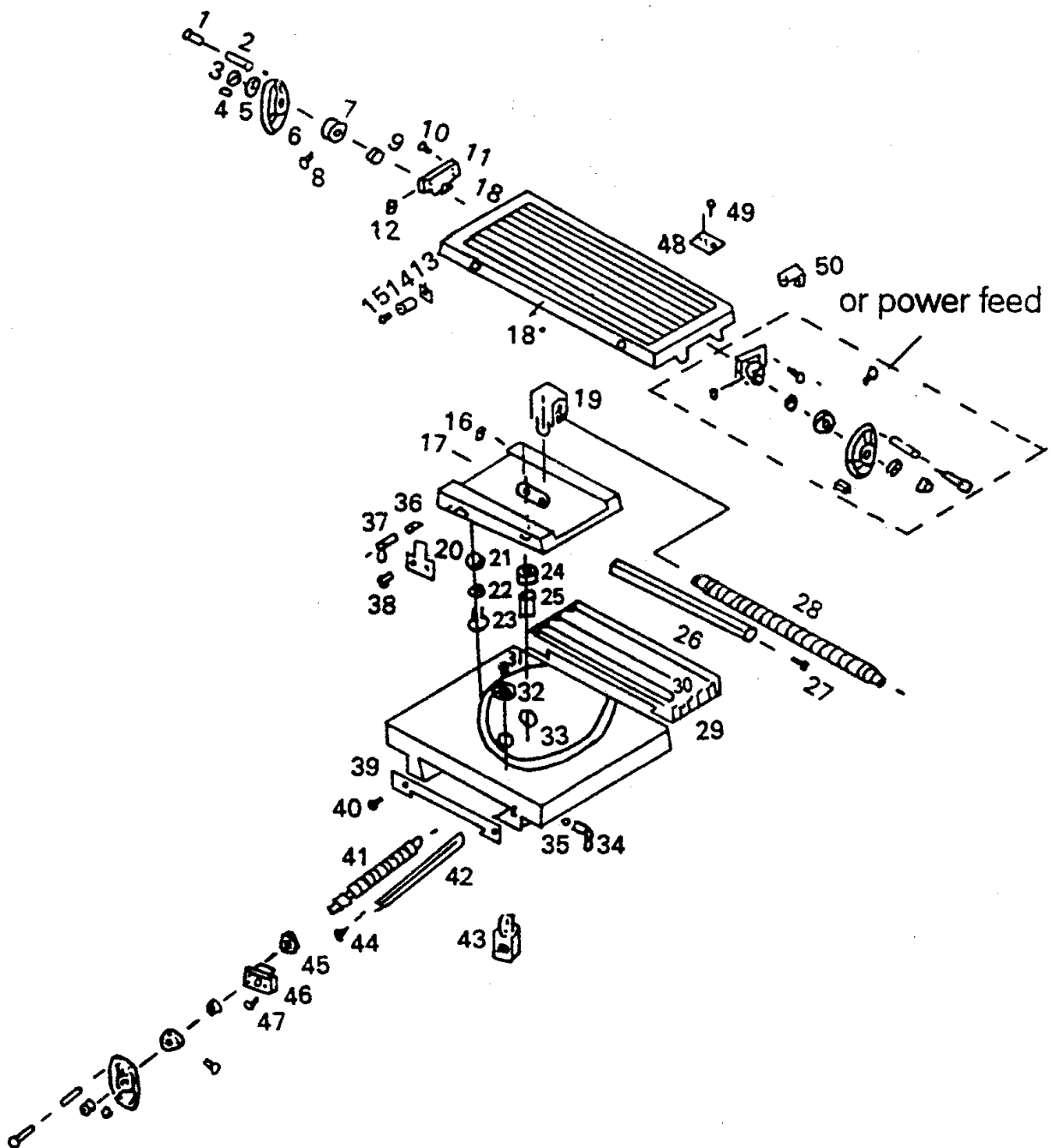
No. 2d

PARTS DIVISION AND PARTS LIST

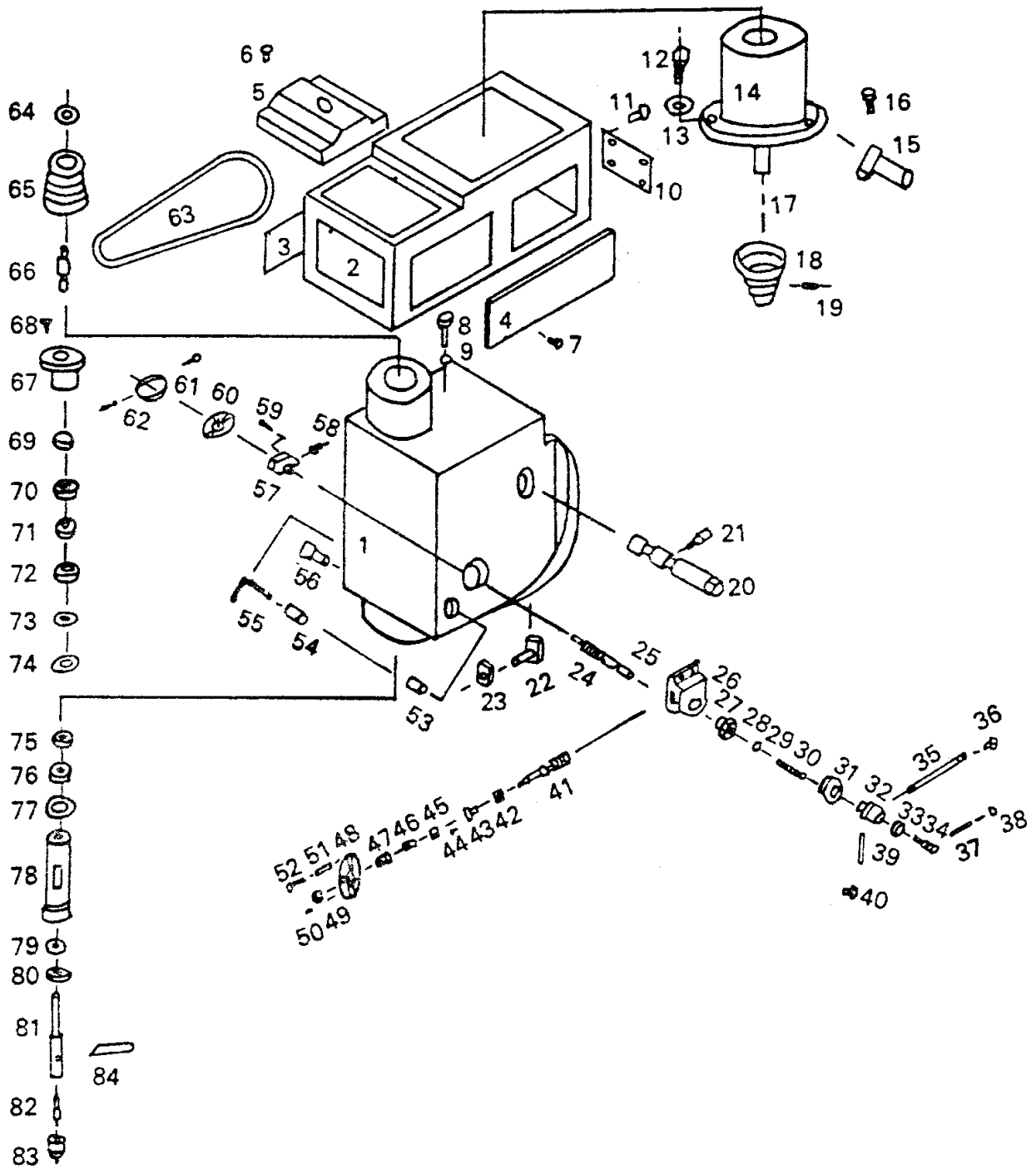
A: COLUMN PART



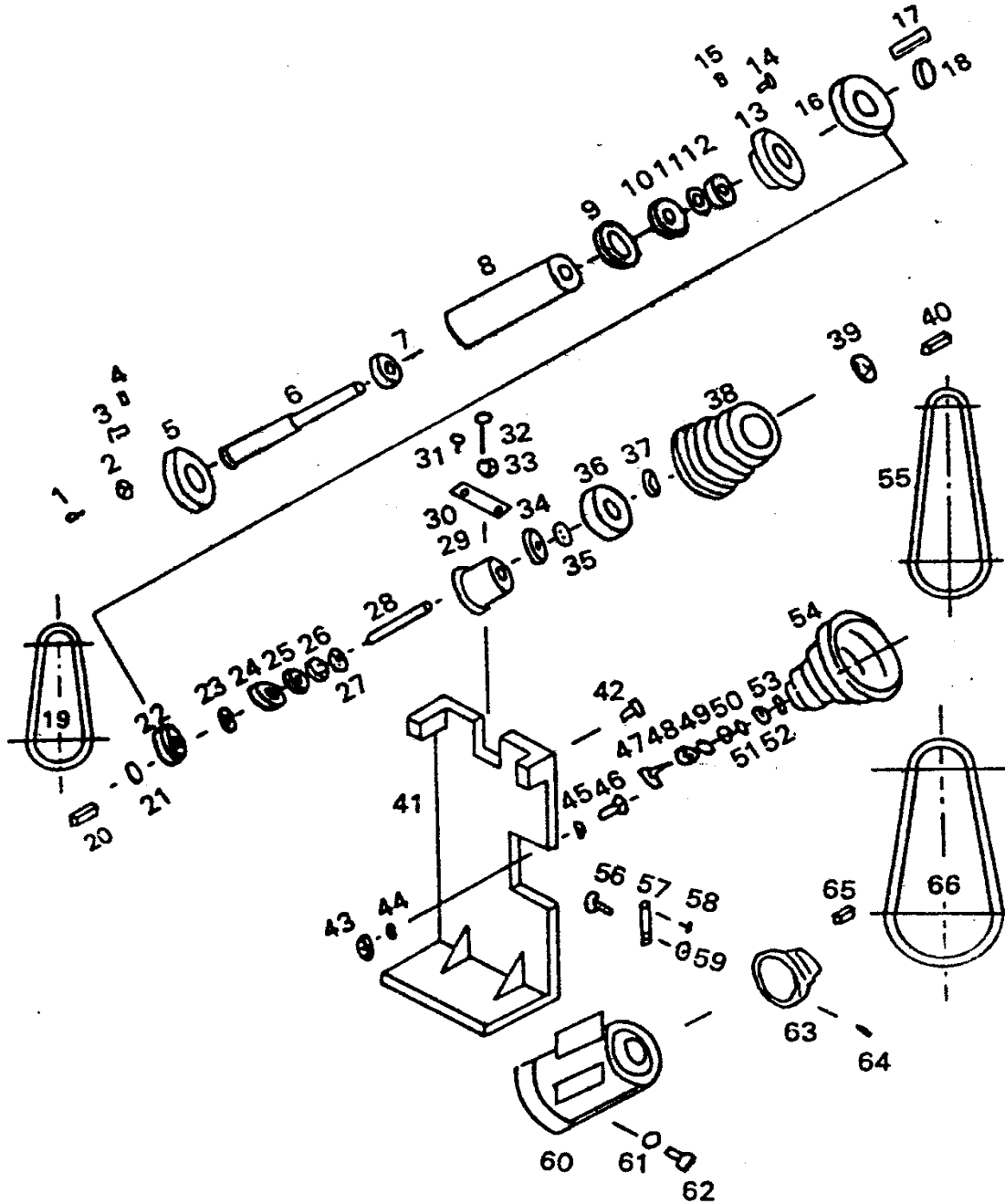
B: Rotary table (optional)



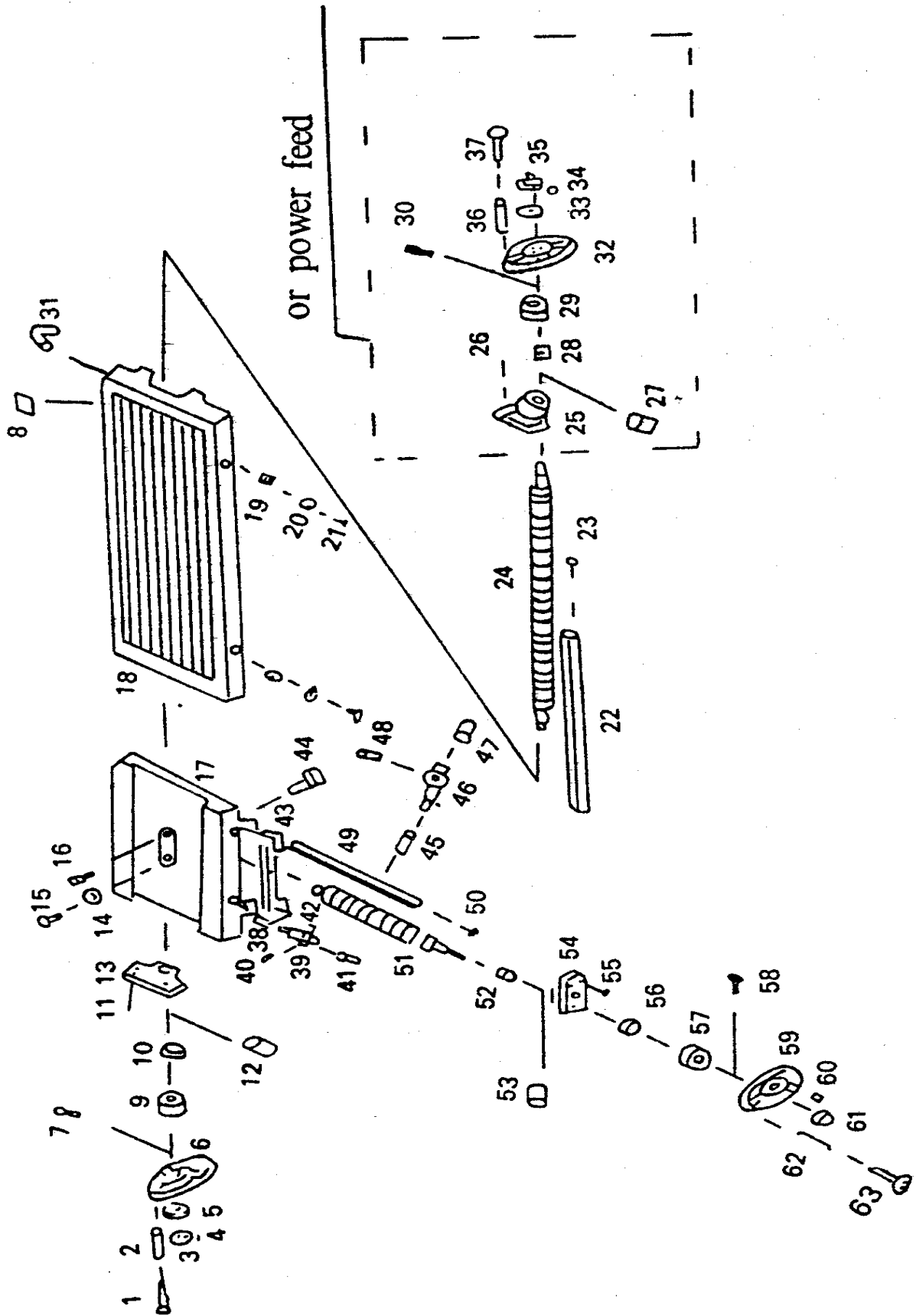
C: HEAD PART



D: HORIZONTAL SPINDLE PART



G: Table



NUMBERP	NAME	QUASTITY
A1	BASE	1
2	COLUMN	1
3	ELEVATING SCREW HOUSING	1
4	SCREW	4
5	WASHER	4
6	CONNECT TUBE	1
7	SCREW	2
8	BOLT	6
9	WASHER	6
10	COLLAR	1
11	SCREW	4
12	HOLD SURRORT	1
13	SCREW	6
14	AROUND BRACKET	1
15	FEED SHAFT	1
16	COLLAR	1
17	CLAMP BOLT	2
18	CLAMP BLOCK	2
19	BEVEL IRON	1
20	SCREW	1
21	OVERARM	1
22	COVER	1
23	SCREW	4
24	COVER	1
25	SCREW	4
26	HOLD BRACKET	1
27	GEAR	1
28	SCREW	4
29	BOLT	2
30	NOZZLE	1
31	OIL CUP	2

NUMBERP	NAME	QUASTITY
32	SCREW	2
33	BOLT	1
34	CONNECT TUBE	1
35	HOLD BRACKET	1
36	NUT	4
37	WASHER	4
38	T BOLT	4
39	BOLT	4
40	ELECTRIC PUMP	1
41	BOLT	4
42	SUPPORT	1
43	DUST COVER	1
44	SCREW	2
45	BEVEL IRON	1
46	ADJUST SCREW	1
47	SCREW	2
48	WIPER PLATE	1
49	WIPER PLATE	1
50	WIPER PLATE	2
51	KNEE	1
52	CLAMP BLOCK	2
53	CLAMP BOLT	2
54	HOIST DESCEND LEAD SCREW	1
55	CIRCULAR NUT	2
56	CONICAL GEAR	1
57	KEY	1
58	BALL BEARING	1
59	ADJUST WASHER	1
60	COLLAR	1
61	BALL BEARING	1
62	NUT	1

NUMBERP	NAME	QUASTITY
63	SCREW	1
64	KEY	1
65	CONECAL GEAR	1
66	PIN	1
67	WASHER	1
68	COLLAR	1
69	SCREW	1
70	SHAFT	1
71	COLLAR	1
72	SCREW	4
73	BALL BEARINGP	1
74	SCALE RING	1
75	SCREW	1
76	COLLAR	1
77	HANDLE	1
78	LIFT BAR	1
79	TOOLHOLDER	2
80	CUTTER BAR COLLAR	10
81	SUPPORT	1
82	BOLT	1
83	COLLAR	1
84	NUT	1
85	SCREW	1
86	OIL CUP	1
87	WASHER	1
88	NUT	1
89	BEHIND COVER	1
90	HINGE	2
91	SCREW	16
92	SCREW	1

NUMBERP	NAME	QUITY
B1	HANDLE	3
2	HANDLE COLLAR	3
3	NUT	3
4	KEY	3
5	WASHER	3
6	HAND WHEEL	3
7	SCALE RING	3
8	SCREW	3
9	BEARING	3
10	SCREW	10
11	SUPPORT	2
12	OIL CUP	3
13	SCREW BRACKET	2
14	DOG	2
15	SCREW	2
16	OIL CUP	2
17	ROTARY BRACKET	1
18	TABLE	1
19	NUT	1
20	LIMIT ASSEMBLY	1
21	NUT	1
22	WASHER	4
23	T - BOLT	4
24	SHAFT MOUNT	1
25	SHAFT	1
26	LONG BEVEL IRON	1
27	ADJUST SCREW	1
28	LONGITUD INALLEAD SCREW	1
29	WAY COVER	

NUMBERP	NAME	QUTY
30	SCREW	2
31	SCREW	1
32	WASHER	1
33	SADDLE	1
34	SCREW	2
35	CLAMP BLOCK	2
36	CLAMP BLOCK	2
37	SCREW	2
38	SCREW	2
39	WIPER PLATE	1
40	SCREW	1
41	CROSSWISE LEAD SCREW	1
42	SHORT BEVEL IRON	1
43	NUT	1
44	ADJUST SCREW	1
45	BEARING	2
46	SUPPOT	1
47	SCREW	4
48	OIL COVER	1
49	SCREW	2
50	CONNECT TUBE	1

NUMBERP	NAME	QUASTITY
C1	SPINDLE BOX	1
2	MOTOR BASE	1
3	LEFT COVER	1
4	RIGHT COVER	1
5	PULLEY COVER	1
6	SCREW	4
7	SCREW	4
8	BOLT	6
9	WASHER	6
10	COVER	1
11	SCREW	4
12	BOLT	2
13	WASHER	1
14	MOTOR	1
15	HANDLE	1
16	BOLT	2
17	KEY	1
18	MOTOR PULLEY	1
19	HEADLESS SEAT SCREW	1
20	WORM GEAR	1
21	PIN	1
22	T BOLT	3
23	NUT	1
24	FEED SHAFT	1
25	KEY	1
26	WORM BOX	1
27	SCREW	3
28	BEVEL GEAR	1
29	RETAINING RING	1
30	SPRING	1
31	SCALE RING	1

NUMBERP	NAME	QUASTITY
32	HANDLE BRACKET	1
33	COVER	1
34	BOLT	1
35	HANDLE BAR	3
36	KNOB	3
37	HANDLE	1
38	HANDLE COLLAR	1
39	SCALE	1
40	RIVET	2
41	WORM GEAR	1
42	BALL BEARING	1
43	SMALL COVER	1
44	SCREW	3
45	BALL BEARING	1
46	COLLAR	1
47	SCALE RING	1
48	HANDLE WHEEL	1
49	HANDLE COLLAR	1
50	HANDLE	1
51	NUT	1
52	KEY	1
53	CLAMP BLOCK	1
54	CLAMP BLOCK	1
55	CLAMP HANDLE	1
56	SCREW	1
57	SPRING SEAT	1
58	SCREW	1
59	SCREW	1
60	SPRING PLATE	1
61	SPRING CAP	1
62	SCREW	2

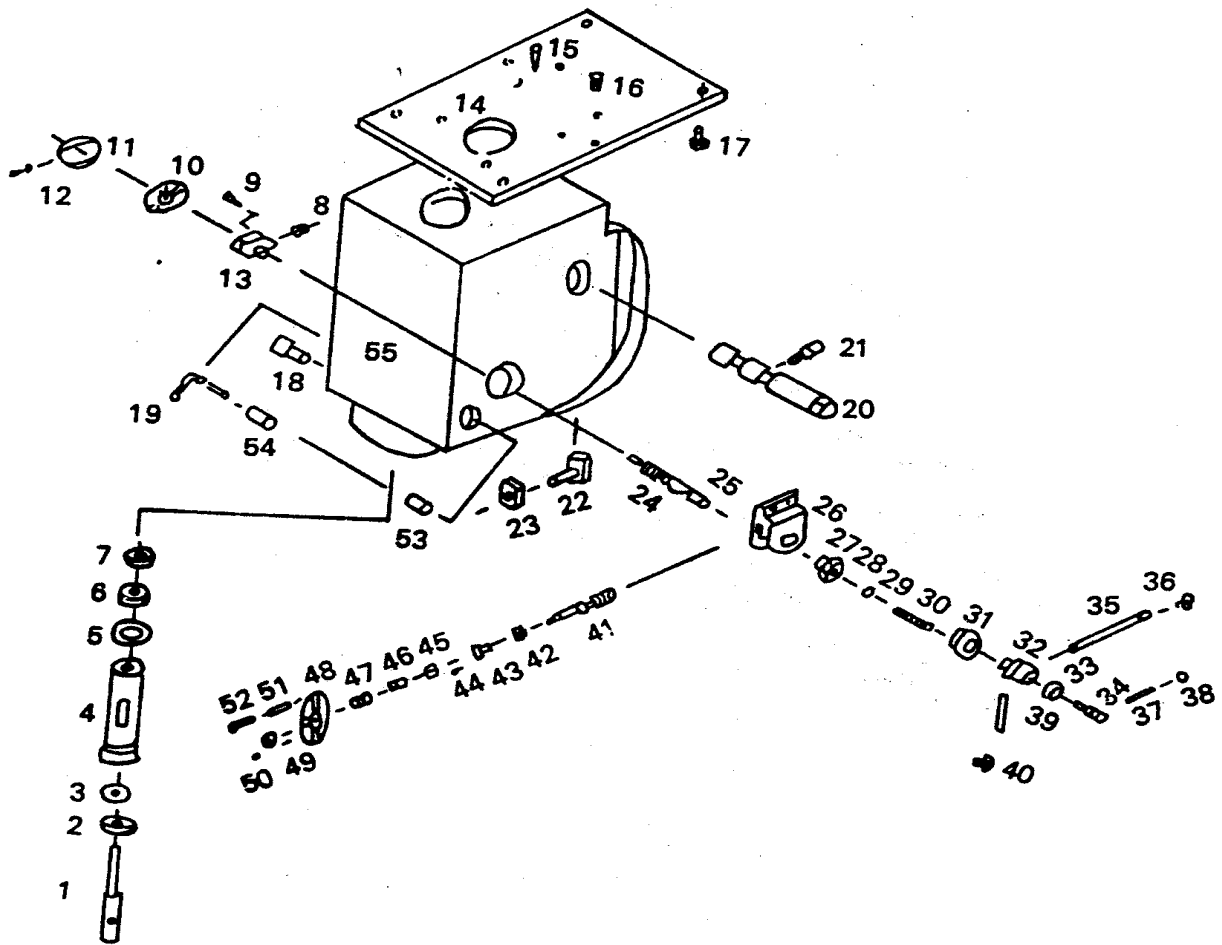
NUMBERP	NAME	QUASTITY
63	V BELT	1
64	NUT	1
65	SPINDLE PULLEY	1
66	SPRING SLEEVE	1
67	COLLAR	1
68	SCREW	3
69	RETAINING RING	3
70	BALL BEARING	1
71	COLLAR	1
72	BALL BEARING	1
73	RETAINING RING	1
74	RETAINING RING	1
75	PULLEY NUT	1
76	WASHER	1
77	BALL BEARING	1
78	SLEEVE	1
79	BALL BEARING	1
80	DUST COVER	1
81	SPINDLE	1
82	SPINDLE BAR	1
83	DRILL CHUCK	1
84	WEDGE SHIFTER	1

NUMBERP	NAME	QUASTITY
D1	SCREW	4
2	KEY	2
3	SCREW	4
4	OIL CUP	1
5	COVER	1
6	SPINDLE	1
7	BALL BEARING	1
8	COLLAR	1
9	BALL BEARING	1
10	WASHER	1
11	WASHER	1
12	NUT	1
13	COVER	1
14	SCREW	4
15	OIL CUP	1
16	SPINDLE PULLEY	2
17	KEY	1
18	RETAINING RING	1
19	V BELT	2
20	KEY	1
21	RETAINING RING	1
22	WHEEL	1
23	BALL BEARING	1
24	BALL BEARING	1
25	BALL BEARING	1
26	COLLAR	1
27	BALL BEARING	1
28	SMALL SHAFT	1
29	COLLAR	1
30	SUPPORT	1
31	SCREW	2

NUMBERP	NAME	QUASTITY
32	BOLT	1
33	NUT	1
34	RETAINING RING	1
35	RETAINING RING	1
36	NUT	2
37	RETAINING RING	1
38	PULLEY	1
39	RETAINING RING	1
40	KEY	1
41	MOTOR BASE	1
42	SCREW	6
43	NUT	1
44	WASHER	1
45	WASHER	1
46	SMALL SHAFT	1
47	CONNECT	1
48	REAINING RING	1
49	BALL BEARING	1
50	COLLAR	1
51	BALL BEARING	1
52	RETAINING RING	1
53	RETAINING RING	1
54	PULLEY	1
55	V—BELT	1
56	ADJUST SCREW	1
57	SUPPORT	1
58	SCREW	1
59	NUT	1
60	MOTOR	1
61	WASHER	4
62	BOLT	4

NUMBERP	NAME	QUASTITY
63	MOTOR WHEEL	1
64	SCREW	1
65	KEY	1
66	V—BELT	1

E: Gear box

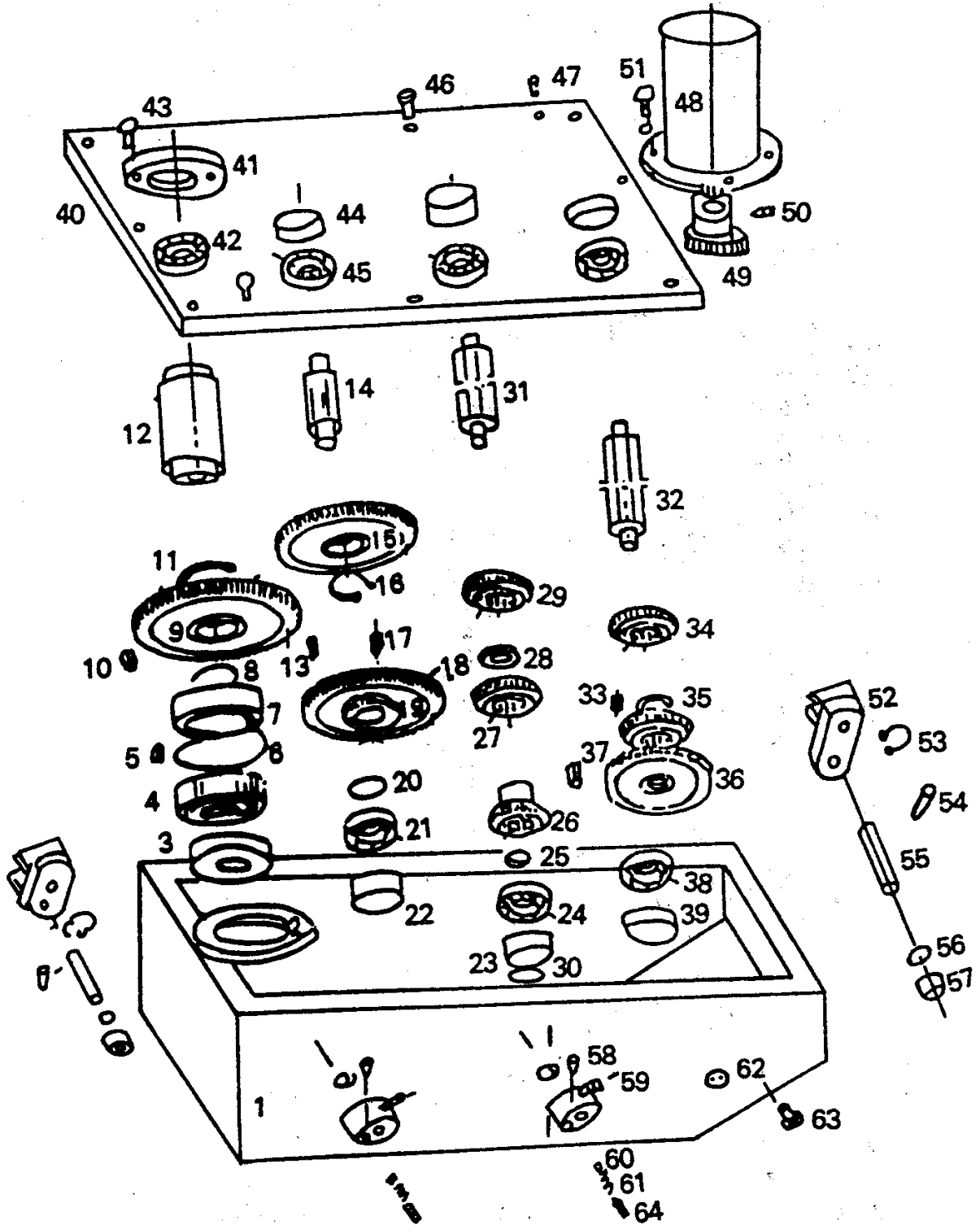


E: GEAR BOX

NUMBERP	NAME	QUTY
E1	SPINDLE	1
2	DUST COVER	1
3	BEARING	1
4	SLEEVE	1
5	BEARING	1
6	WASHER	1
7	NUT	1
8	SCREW	1
9	SCREW	1
10	SPRING PLATE	1
11	SPRING CAP	1
12	SCREW	1
13	SPRING SEAT	1
14	BASE	1
15	PIN	2
16	SCREW	6
17	SCREW	6
18	BOLT	1
19	CLAMP HANDLE	1
20	WORM GEAR	1
21	PIN	1
22	T-BOLT	3
23	NUT	3
24	FEED SHAFT	1
25	KEY	1
26	WORM BOX	1
27	SCREW	3
28	BEVEL GEAR	1
29	CRESCENT RING	1
30	SPRING	1

NUMBERP	NAME	QUTY
31	SCALE RING	1
32	HANDLE BRACKET	1
33	COVER	1
34	BOLT	1
35	HANDLE BAR	3
36	KNOB	3
37	HANDLE	1
38	HANDLE COLLAR	1
39	SCALE	1
40	RIVET	2
41	WORM GEAR	1
42	BEARING	1
43	SMALL COVER	1
44	SCREW	3
45	BEARING	1
46	COLLAR	1
47	SCALE RING	1
48	HANDLE WHEEL	1
49	HANDLE	1
50	HANDLE	1
51	NUT	1
52	KEY	1
53	CLAMP BLOCK	1
54	CLAMP HANDLE	1
55	BOX	1

F: Gear head



GEAR HEAD

NUMBERP	NAME	QUTY
F1	BOX	1
2	COLLAR	1
3	OIL SEAL	1
4	BALL BEARING	1
5	SCREW	1
6	O—RING	1
7	COLLAR	1
8	RETAINING RING	1
9	GEAR	1
10	KEY	1
11	RETAINING RING	1
12	SHAFT	1
13	KEY	1
14	DRIVING SHAFT	1
15	GEAR	1
16	RETAINING RING	1
17	SCREW	1
18	GEAR	1
19	GEAR	1
20	O—RING	2
21	BALL BEARING	1
22	COLLAR	1
23	COLLAR	1
24	BALL BEARING	1
25	RETAINING RING	1
26	GEAR	1
27	GEAR	1
28	COLLAR	1
29	GEAR	1
30	O—RING	1

NUMBERP	NAME	QUTY
31	DRIVING SHAFT	1
32	DRIVING SHAFT	1
33	SCREW	1
34	GEAR	1
35	GEAR	1
36	GEAR	1
37	KEY	1
38	BEARING	1
39	COLLAR	1
40	BOX COVER	1
41	COLLAR	1
42	BEARING	1
43	SCREW	4
44	COLLAR	3
45	BEARING	3
46	SCREW	6
47	PIN	2
48	MOTOR	1
49	GEAR	1
50	SCREW	1
51	BOLT	4
52	LIFT FORK	2
53	CRESCENT RING	2
54	PIN	2
55	SHAFT	2
56	O—RING	2
57	COLLAR	2
58	PIN	2
59	HANDLE	2
60	BALL	2
61	SPRING	1
62	OIL POSITION	1
63	BOLT	1
64	SCREW	2

NUMBERP	NAME	QUTY
G1	HANDLE	1
2	HANDLE COLLAR	1
3	NUT	1
4	KEY	1
5	WASHER	1
6	HAND WHEEL	1
7	SCREW	1
8	OIL COVER	1
9	SCALE RING	1
10	BALL BEARING	1
11	SCREW	1
12	OIL CUP	1
13	SUPPORT	1
14	WASHER	1
15	SCREW	1
16	NUT	1
17	SADDLE	1
18	TABLE	1
19	SCREW BRACKET	2
20	DOG	2
21	SCREW	2
22	LONG BEVEL IRON	1
23	ADJUST SCREW	1
24	BALL SCREW	1
25	SUPPORT	1
26	SCREW	4
27	OIL CUP	1
28	BALL BEARING	1
29	SCALE RING	1

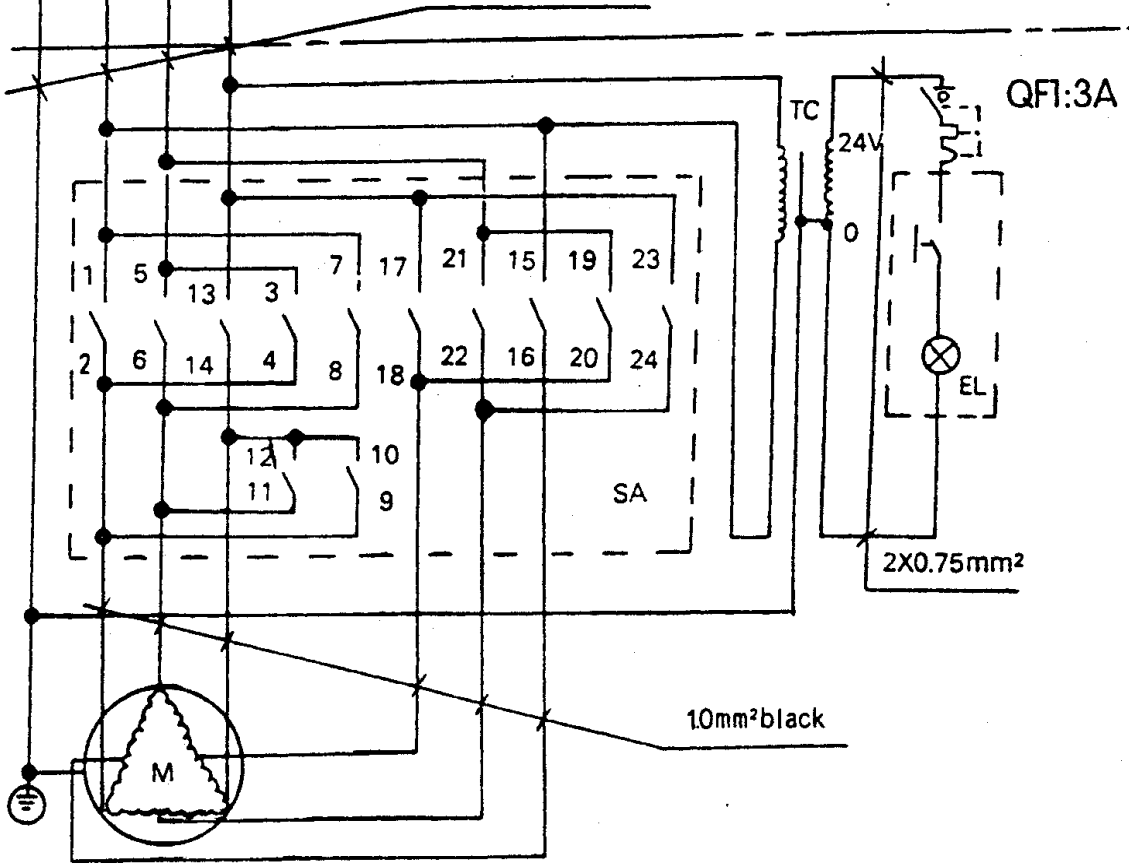
NUMBERP	NAME	QUTY
30	SCREW	1
31	CONNECT TUBE	1
32	HAND WHEEL	1
33	WASHER	1
34	KEY	1
35	NUT	1
36	HADLE COLLAR	1
37	HANDLE	2
38	CLAMP BLOCK	2
39	PIN	2
40	SCREW	2
41	HAND BOARD	2
42	SCREW	3
43	WIPER PLATE	2
44	NUT	1
45	CLAMP BLOCK	2
46	SCREW	2
47	HANDBOARD	2
48	PIN	2
49	BEVEL IRON	1
50	ADJUST SCREW	1
51	BALL SCREW	1
52	BALL BEARING	1
53	OIL CUP	1
54	SUPPORT	1
55	SCREW	1
56	BALL BEARING	1
57	SCALE RING	1
58	SCREW	

NUMBERP	NAME	QUTY
59	HANDLE WHEEL	1
60	KEY	1
61	NUT	1
62	HANDLE COLLAR	1
63	HANDLE BAR	1

Vertical low-speed		Vertical high-speed		Transformer	Light
CW	CCW	CW	CCW		

PE L1 L2 L3 3~380V 50HZ
 (3~220V 60HZ)
 advice 16A 4X1.0mm² 3black 1 yellow/green

Machine Division



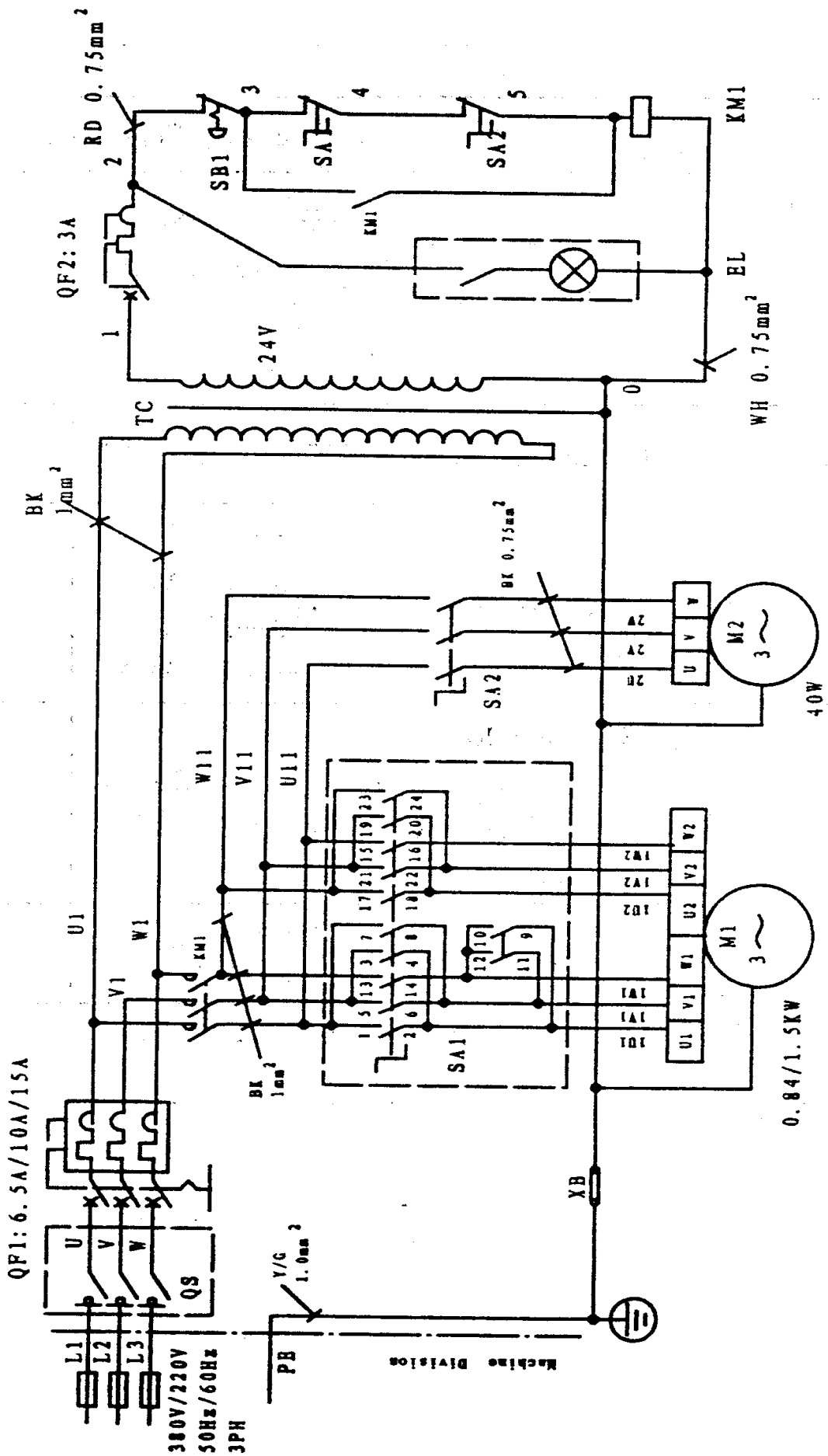
0.85/1.5KW
 710/1400r.p.m
 SA Activity

	1~2	3~4	5~6	7~8	9~10	11~12	13~14	15~16	17~18	19~20	21~22	23~24
135°					X	X		X	X		X	
45°	X		X				X					
0°												
45°		X		X			X					
135°					X	X		X		X		X

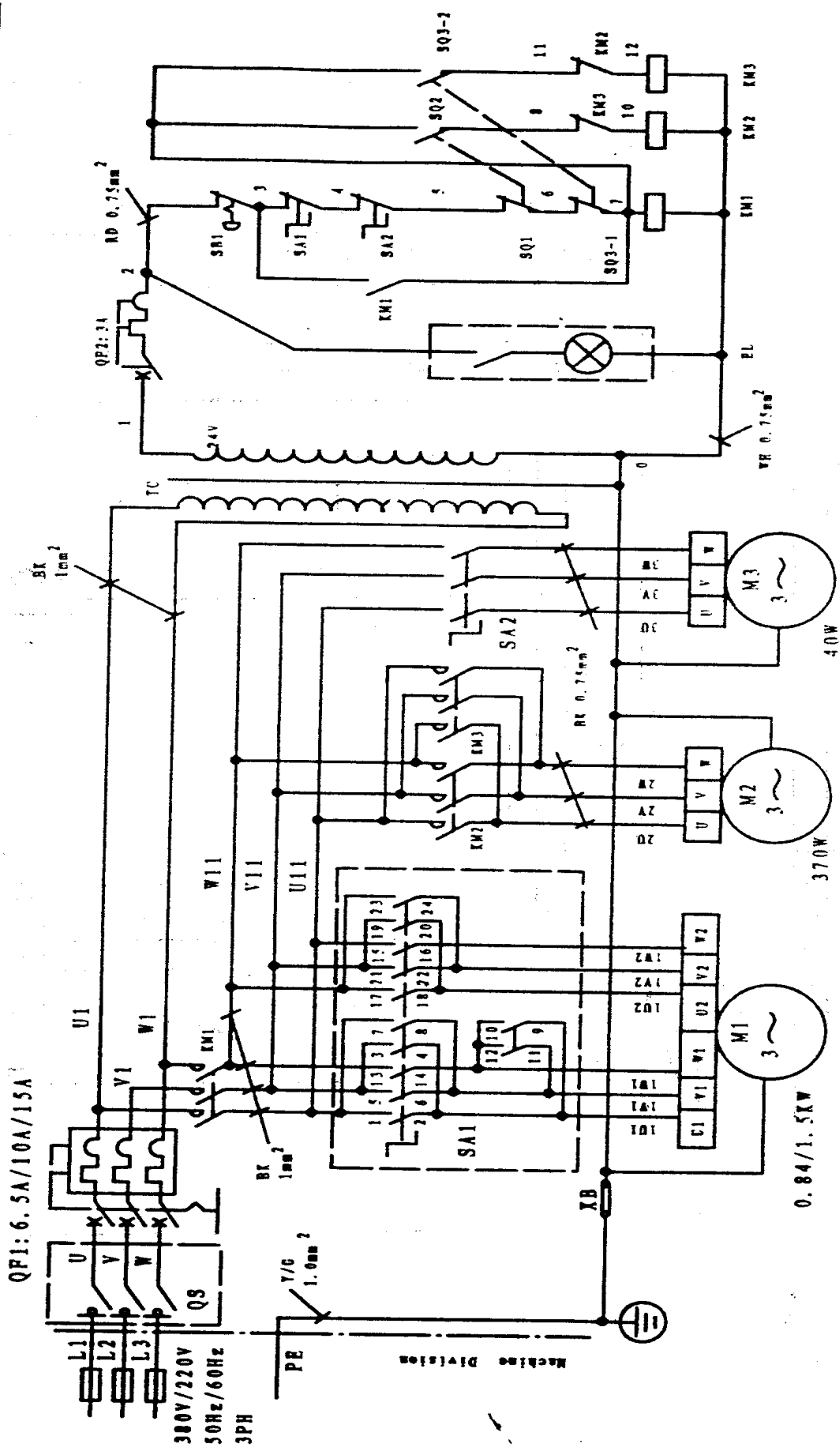
COMPONENTS LIST

Item	code	Name	Model or specification	Quantity	Note
1	M1	Three—phase induction motor (Vertical)	YD100L—8/4 3PH 380V 50HZ 0.85/1.5kw 710/1400r. p. m v1	1	
2	QF	Circuit breaker	DZ47—63 (1P 3A)	1	
3	TC	Transformer	JBK4—63 63VA 0—220V I: 0—380V 0:0—24V 63VA	1	
4	SA1	Combination Switch (for vertical mill control)	LW5—16/5.5SN/6 Ue:500V Ie:16A	1	
5	EL	Light	JC11—1E27(AC: 24V 40W)	1	
		Halogen lamp	JC—38(50W AC: 24V)	1	optional accessory

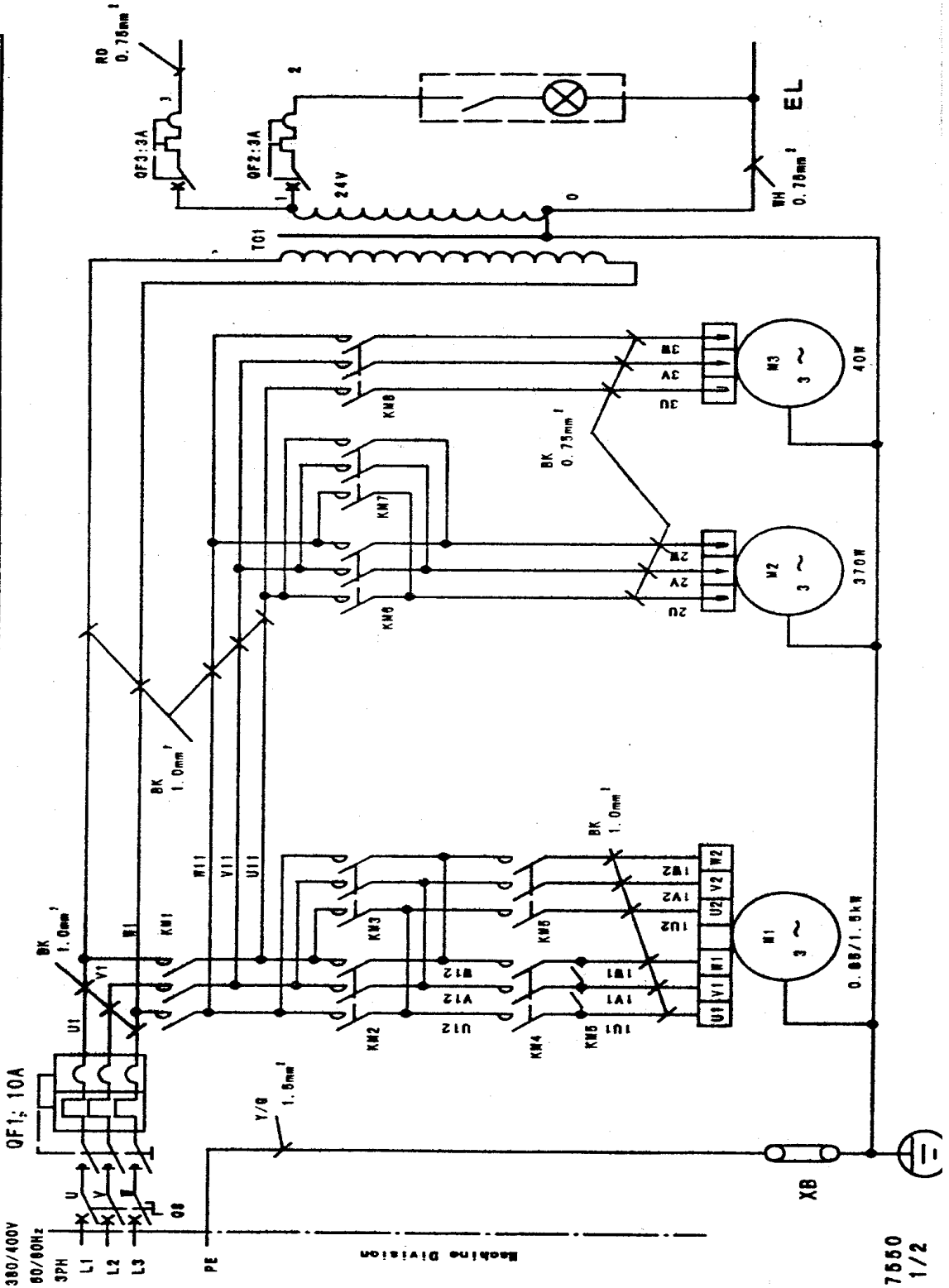
Power	Protection		V-spindle				Coolant	Trans-former	Light	E-stop Protection
			Low	High						
			CW	CCW	CW	CCW				

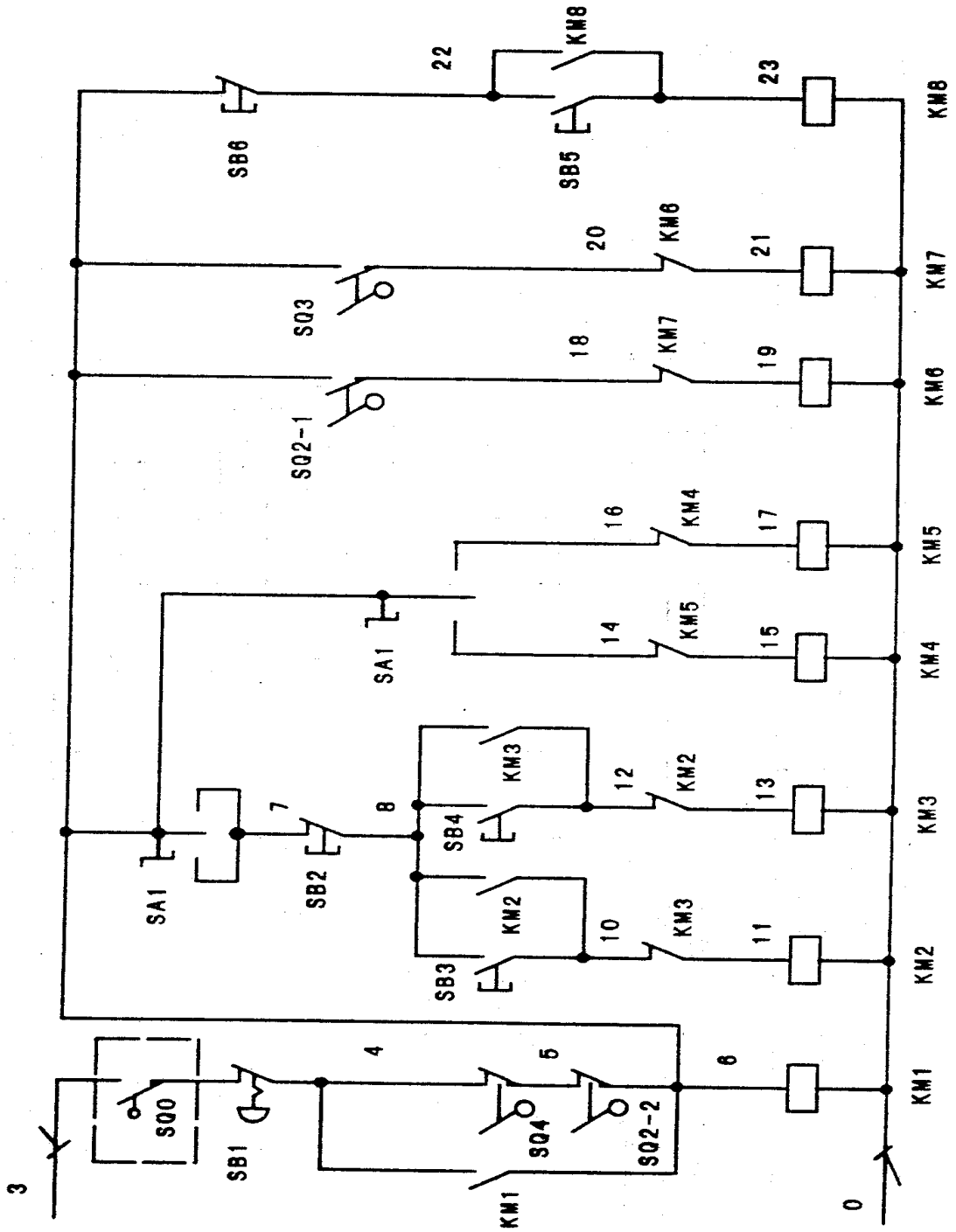
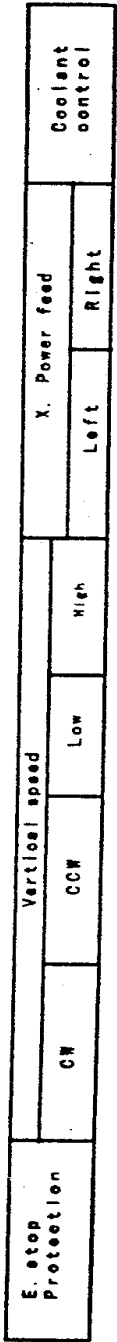


Power	Protection						V-splindle						power feed		E-stop Protection		Light		Trans-former		Coolant		power feed	
	CW		CCW		High		Low		CW		CCW		Left		Right		Left		Right		Left		Right	



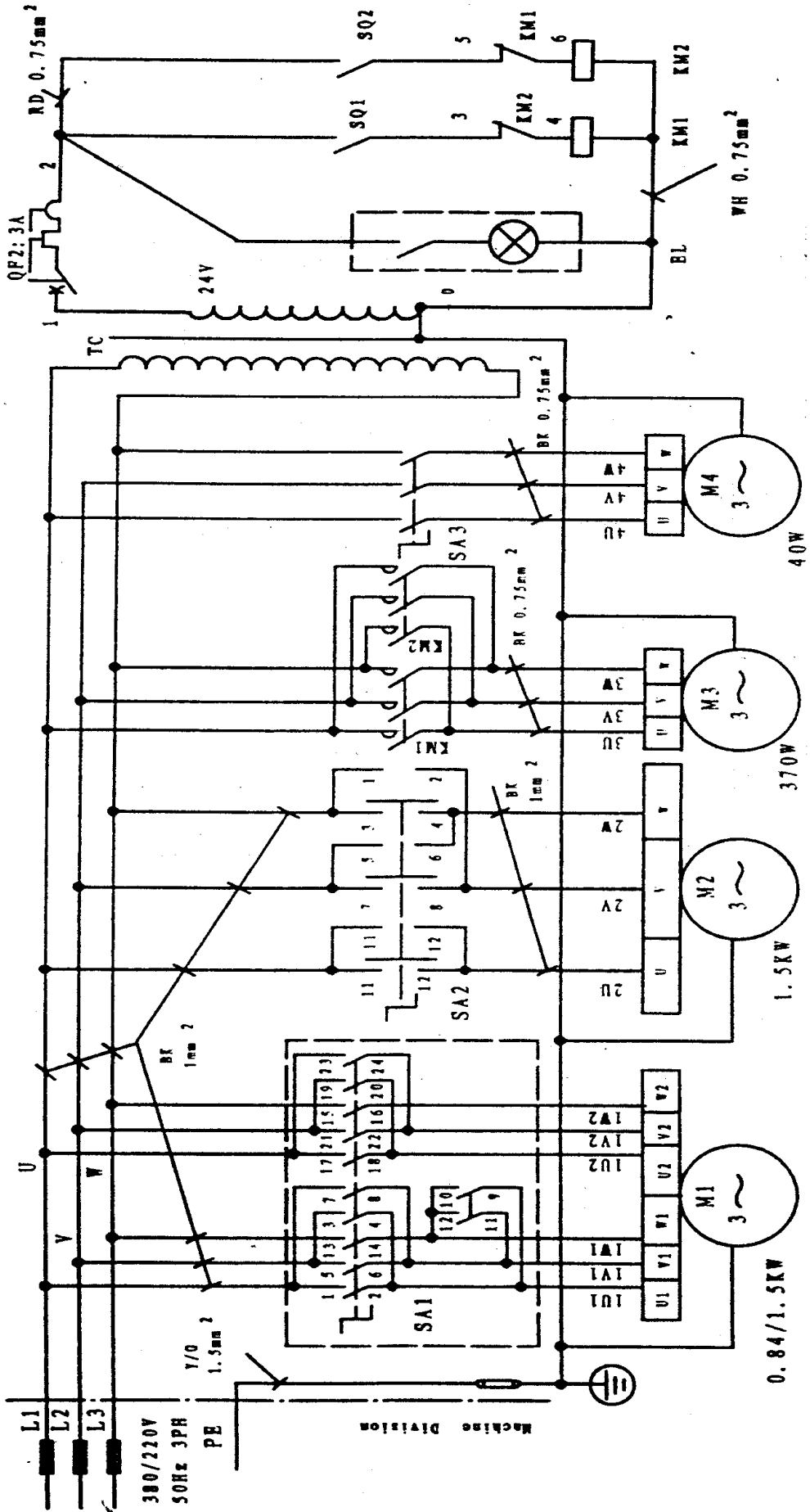
Power	Protection		Vertical speed				X. Power feed		Coolant	Transformer	Light
	380/400V	OF1; 10A	Low	High	CW	CCW	CW	CCW			



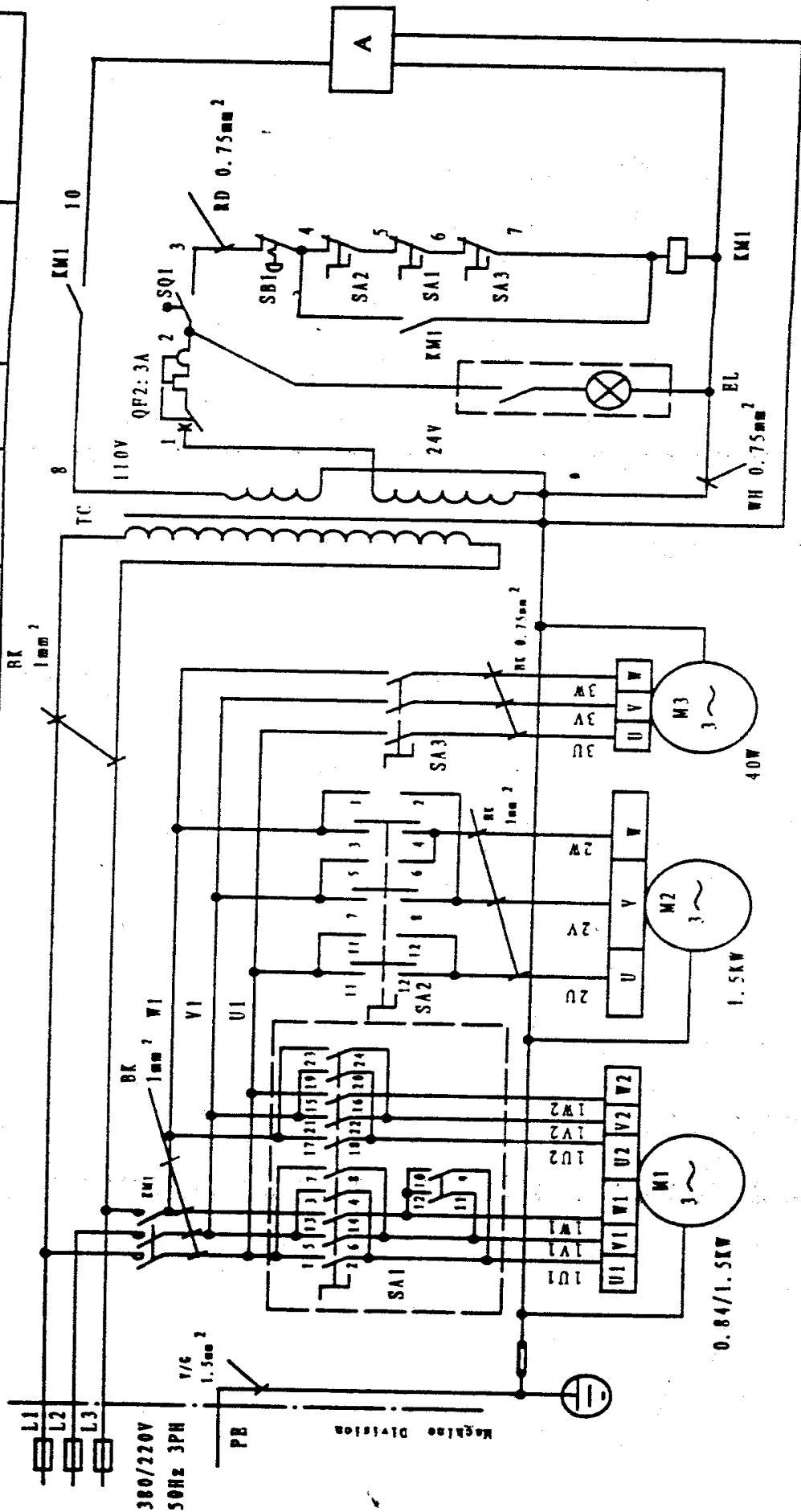


7660
2/2

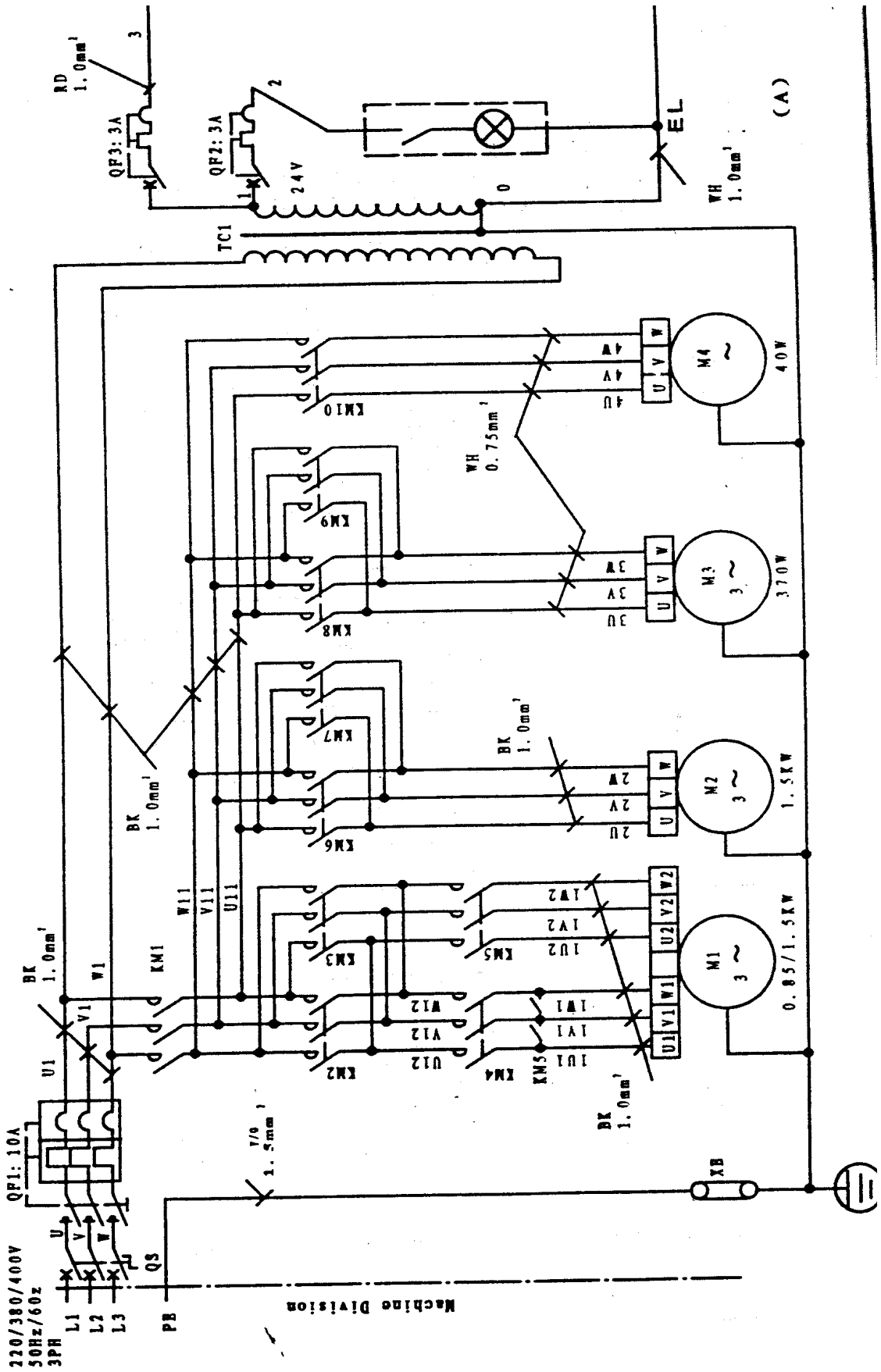
Power	V-spindle						Horizontal		X-power feed		Coolant	Trans-former	Light	power feed	
	Low		High		CW	CCW	CW	CCW	Left	Right				Left	Right
	CW	CCW	CW	CCW							Left	Right	Left		

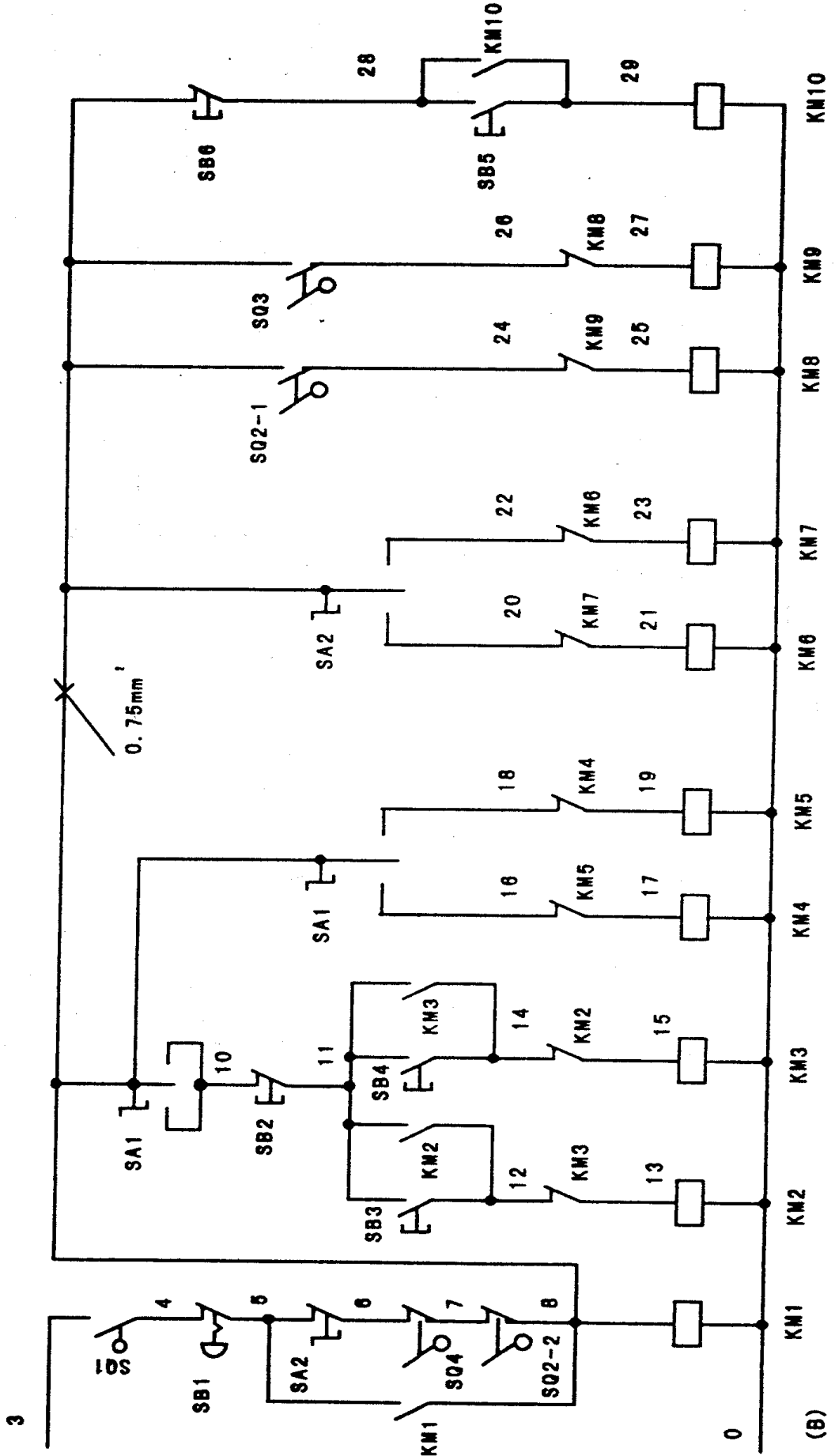
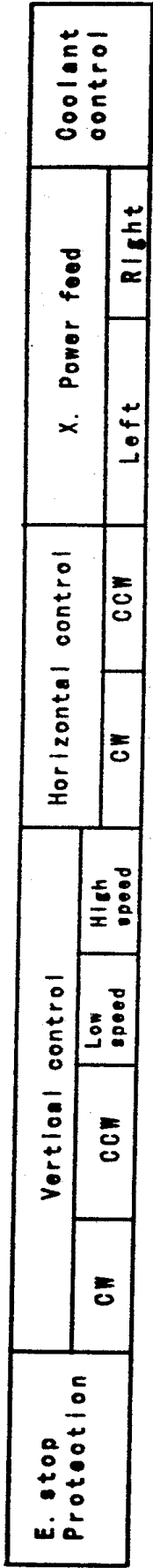


Power Protection	V-spindle				Horizontal		Trans-former	Light	E-stop Protection	X-power feed
	Low	High	CW	CCW	CW	CCW				

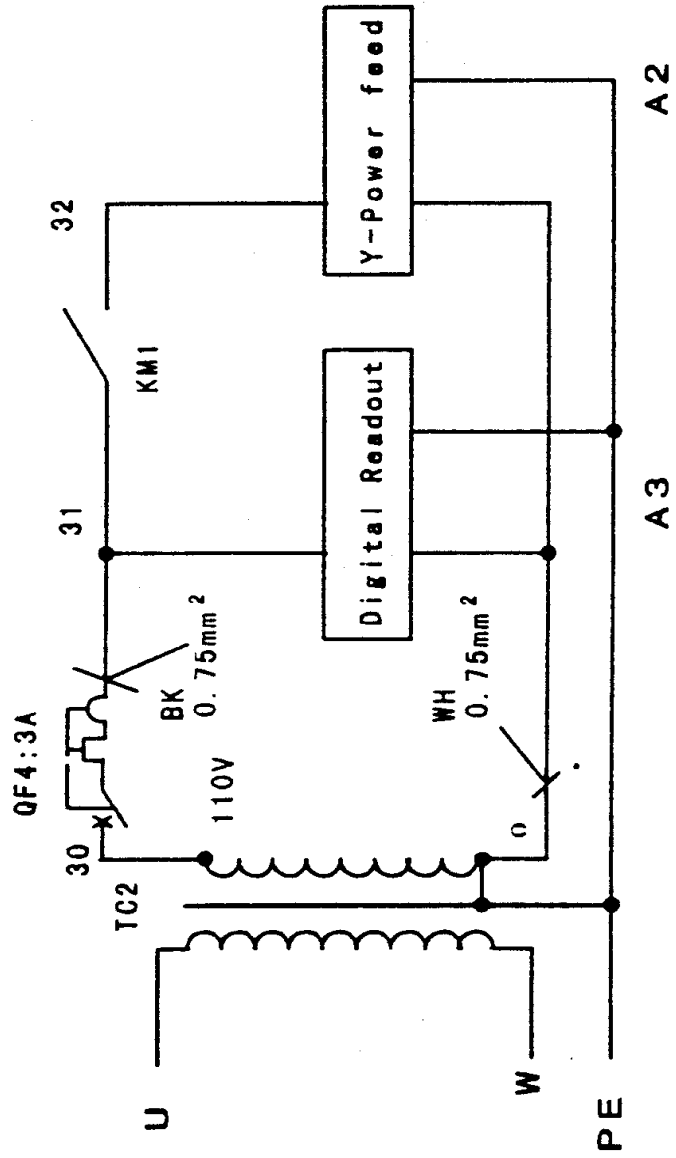


Power switch	Protect-ion	V-spindle				Horizontal	X-power feed		Cool-ant	Trans-former	Light
		CW	CCW	CW	High		CW	CCW			

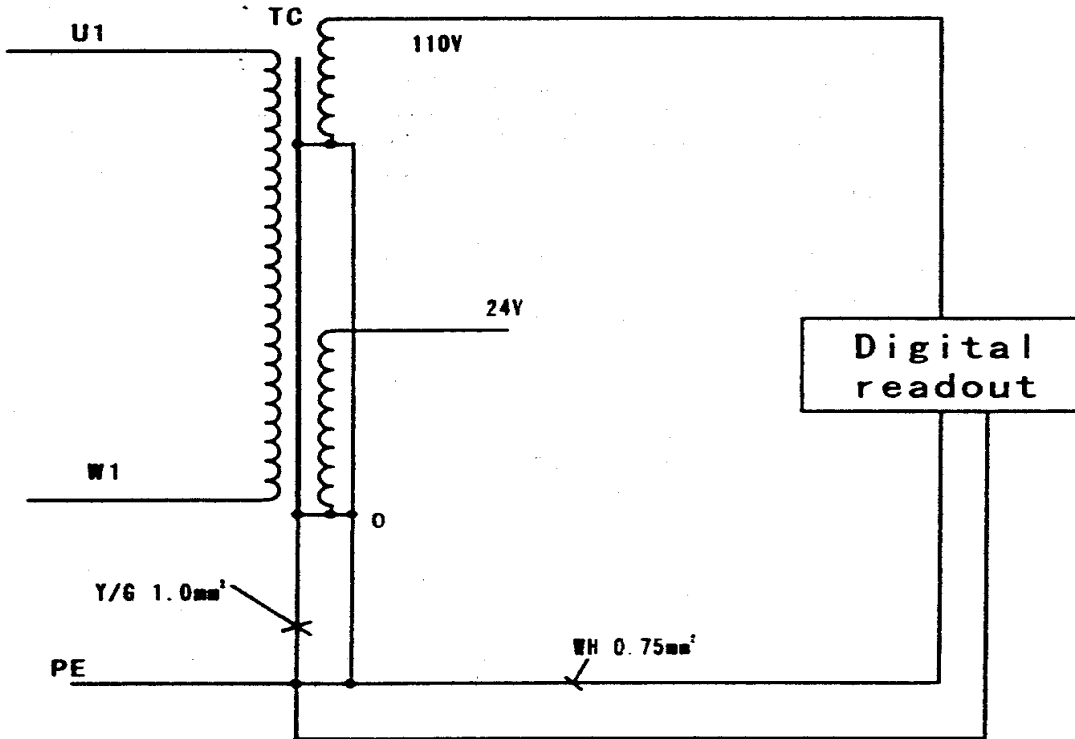




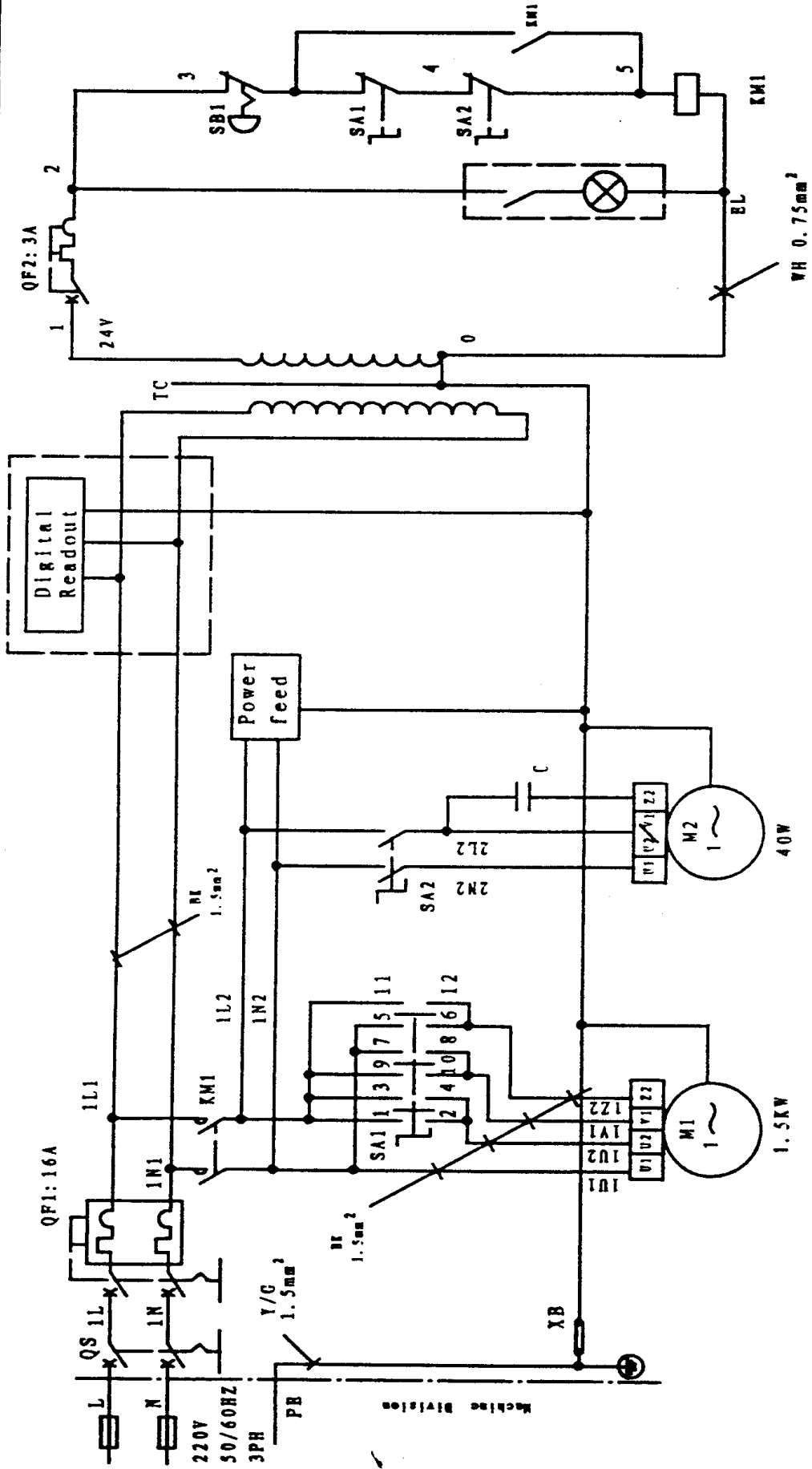
Transformer	Digital Readout	Y-Power feed
-------------	-----------------	--------------



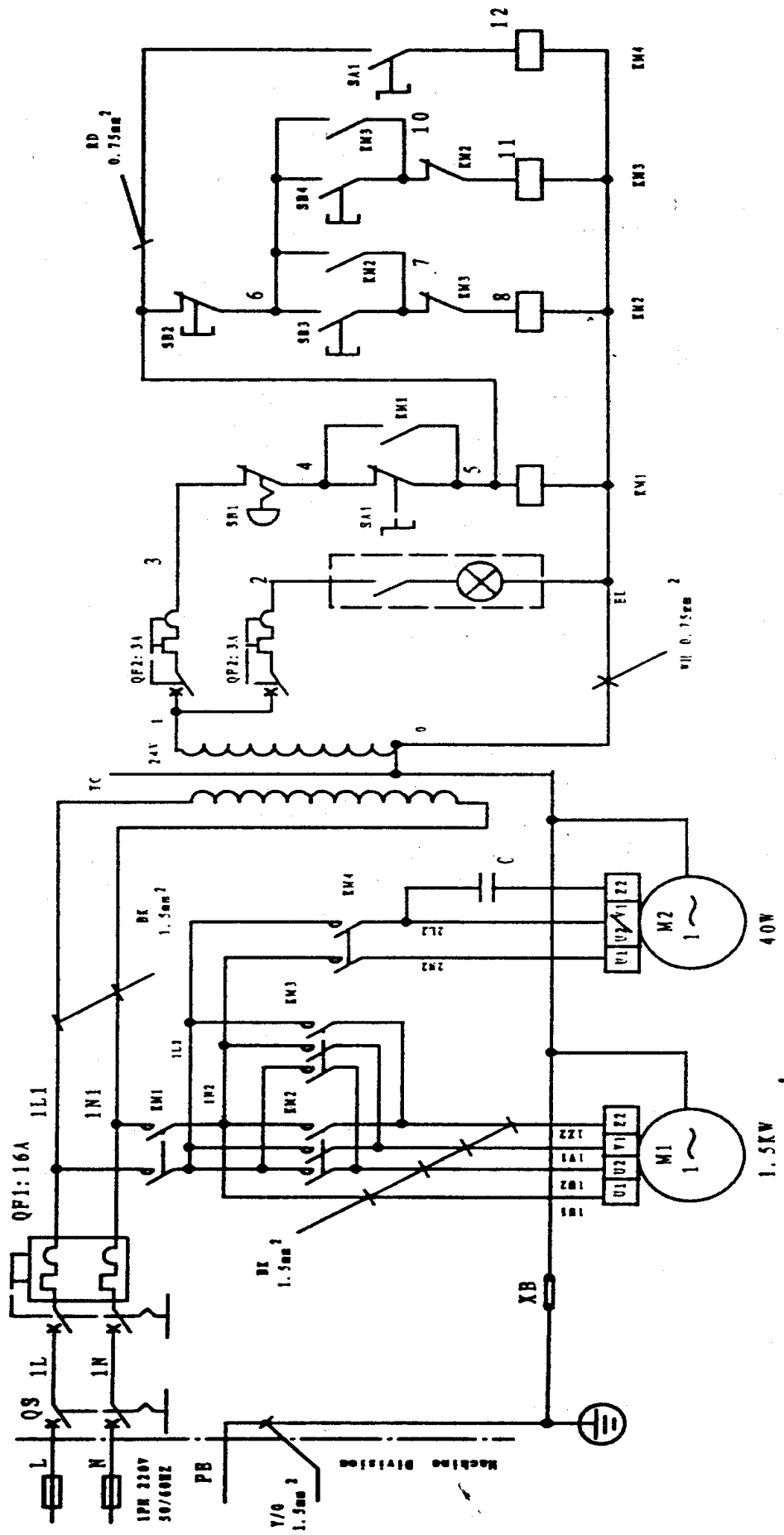
Transformer		Digital readout
-------------	--	-----------------



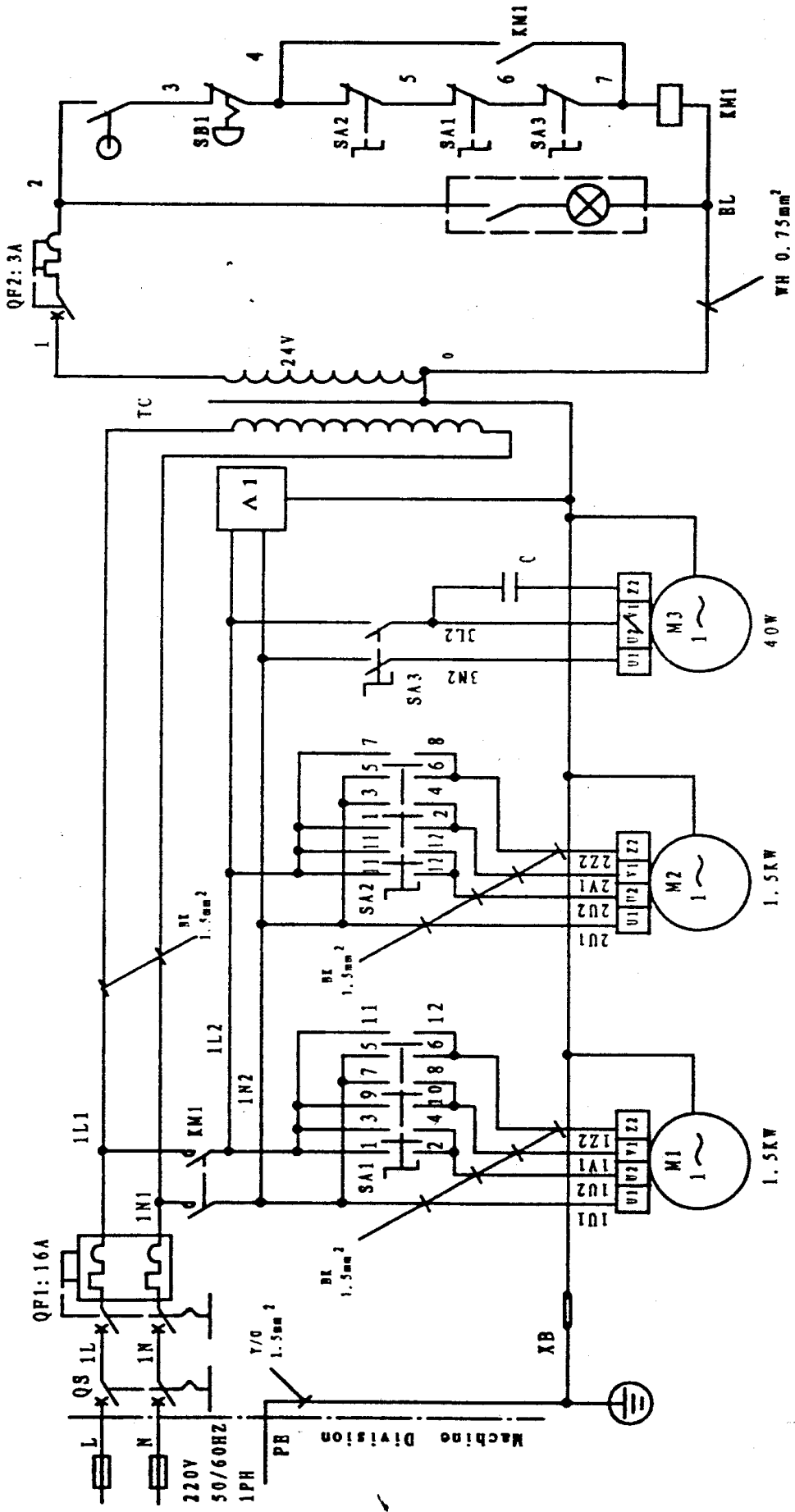
Power switch	Protection	Vertical		Coolant	Power feed	Transformer	Light	B-stop protection
		CW	CCW					



Power switch	Protection	spindle		Coolant	Trans-former	E-stop protection		Coolant control	
		CW	CCW			CW	CCW		



Power	Power switch	Protection	Vertical		Horizontal		Coolant	Power feed	Trans-former	Light	E-stop protection
			CW	CCW	CW	CCW					



CW	CCW	Transformer	Light
----	-----	-------------	-------

