

# **J E T**

**JMS-8**

**Miter Saw with Line Laser**

**10000818M/U  
230/50-60/1**

**PARTS LIST  
ERSATZTEILLISTE  
LISTE DE PIECES**

**WMH Tool Group AG**

Bahnstrasse 24, CH – 8603 Schwerzenbach

[www.wmhtoolgroup.ch](http://www.wmhtoolgroup.ch); [info@wmhtoolgroup.ch](mailto:info@wmhtoolgroup.ch)

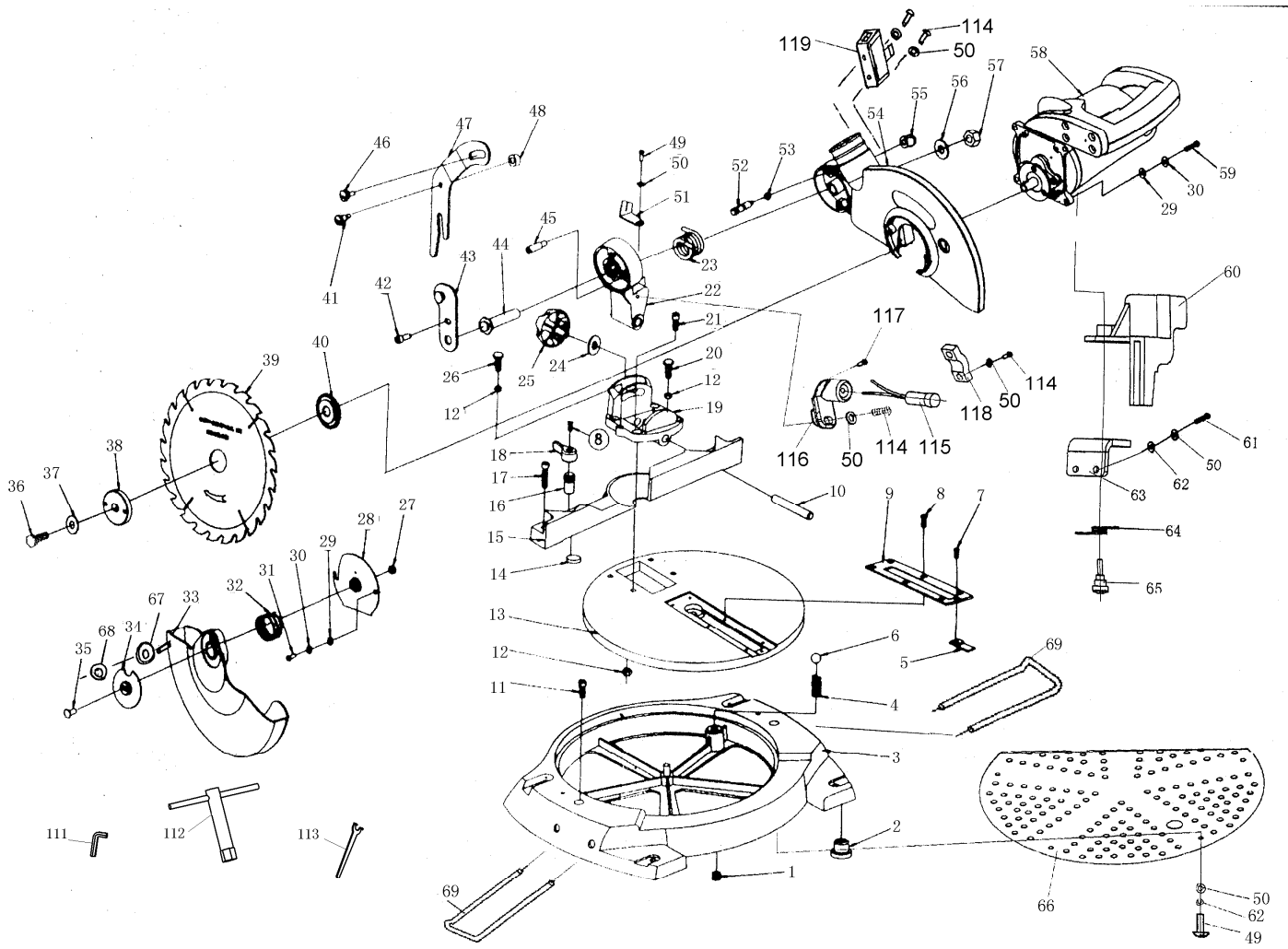
Tel +41 (0) 44 806 47 48

Fax +41 (0) 44 806 47 58

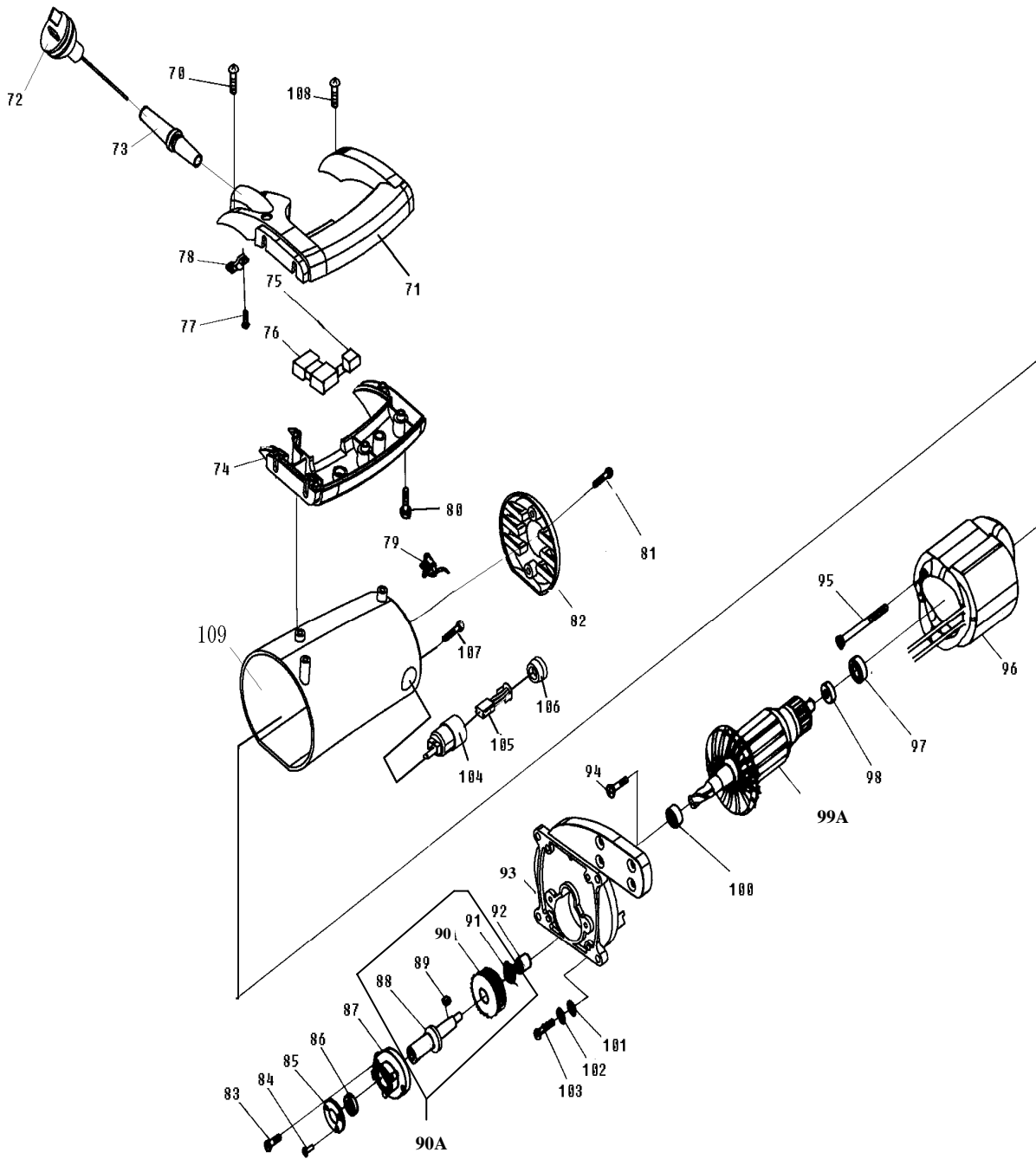


P-10000818M/U 06/07

# Parts Breakdown For JMS-8 Miter Saw with Line Laser



# Parts Breakdown For JMS-8 Miter Saw with Line Laser



## Parts List For JMS-8 Miter Saw with Line Laser

Index No.	Part No.	Description	Size	Qty.
1	JMS8-001	Screw	M10X10	1
2	JMS8-002	Rubber foot	Rubber	4
3	JMS8-003	Base	Al ZL102	1
4	JMS8-004	Spring	PC	1
5	JMS8-005	Pointer	φ8	1
6	JMS8-006	Steel ball	M4X10	1
7	JMS8-007	Screw	M3X8	7
8	JMS8-008	Screw	M10x10	1
9	JMS8-009	Table insert	ABS	1
10	JMS8-010	Short shaft	45#	1
11	JMS8-011	Screw	M6X12	2
12	JMS8-012	Nut	M6	6
13	JMS8-013	Work table	Al ZL102	1
14	JMS8-014	Washer	PA66	2
15	JMS8-015	Fence	Al ZL102	1
16	JMS8-016	Locking screw	Q235	2
17	JMS8-017	Screw	M6X30	2
18	JMS8-018	Locking knob	ABS	2
19	JMS8-019	Angle adjust base	Al ZL102	1
20	JMS8-020	Bolt	M6X16	1
21	JMS8-021	Screw	M6X16	4
22	JMS8-022	Support base	Al ZL102	1
23	JMS8-023	Spring		1
24	JMS8-024	Flat washer	8	1
25	JMS8-025	Bevel lock knob	ABS	1
26	JMS8-026	Bolt	M6X20	1
27	JMS8-027	Locking nut	M5	1
28	JMS8-028	Guard fixed plate B	Q235	1
29	JMS8-029	Flat washer	5	6
30	JMS8-030	Spring washer	5	6
31	JMS8-031	Screw	M5X8	2
32	JMS8-032	Spring		1
33	JMS8-033	Lower blade guard	PC	1
	JMS8-033A	Lower blade guard assembly (pos 27-35)		
34	JMS8-034	Guard fixed plate A	Q235	1
35	JMS8-035	Bolt		1
36	JMS8-036	Bolt	M8(left)X20	1
37	JMS8-037	Thick washer	8	1
38	JMS8-038	Outside Collar-blade set	45#	1
39	JMS8-039	Blade		1
40	JMS8-040	Inside Collar-blade set	45#	1
41	JMS8-041	Screw	Q235	1
42	JMS8-042	Screw	M6X10	1
43	JMS8-043	Fix plate		1
44	JMS8-044	Pin	45#	1
45	JMS8-045	Screw	Q235A	1
46	JMS8-046	Screw	Q235A	1
47	JMS8-047	Lever	Q235A	1
48	JMS8-048	Washer	Q235A	1
49	JMS8-049	Screw	M4X8	1

Index No.	Part No.	Description	Size	Qty.
50	JMS8-050	Washer	2	12
51	JMS8-051	Bevel pointer	PC	1
52	JMS8-052	Pin	45#	1
53	JMS8-053	Seal ring	Rubber	1
54	JMS8-054	Upper blade guard	Al ZL102	1
55	JMS8-055	Pin knob	ABS	1
56	JMS8-056	Washer	12	1
57	JMS8-057	Locking nut	M12	1
58	JMS8-058	Motor Assembly	230V	1
59	JMS8-059	Screw	M5X20	4
60	JMS8-060	Bracket	ABS	1
61	JMS8-061	Screw	M4X15	2
62	JMS8-062	Spring washer	4	7
63	JMS8-063	Bracket base	Q235A	1
64	JMS8-064	Spring		1
65	JMS8-065	Screw		1
66	JMS8-066	Base bottom cover	Q235A	1
67	JMS8-067	Roller	Q235A	1
68	JMS8-068	Washer		1
69	JMS8-069	Extension wing	Q235	2
70	JMS8-070	Screw	M4X22	1
71	JMS8-071	Handle upper cover		1
72	JMS8-072	Power cable		1
73	JMS8-073	Cable guard		1
74	JMS8-074	Handle bottom cover		1
75	JMS8-075	Capacitor		1
76	JMS8-076	Switch		1
77	JMS8-077	Screw	M4X16	2
78	JMS8-078	Strain relief		1
79	JMS8-079	Magnet loop		2
80	JMS8-080	Screw	M4X16	3
81	JMS8-081	Screw	ST4.2X25	2
82	JMS8-082	Motor rear cover		1
83	JMS8-083	Screw	M5X12	2
84	JMS8-084	Screw	M4X6	3
85	JMS8-085	Bearing cover		1
86	JMS8-086	Bearing	6201 ZZ	1
87	JMS8-087	Cover		1
88	JMS8-088-1	Output shaft		1
	JMS8-088	Output shaft(below Series no: 06101955)		1
89	JMS8-089-1	Key (flat)		1
	JMS8-089	Key (semicircle) (below Series no: 06101955)		1
90	JMS8-090-1	Gear 27 teeth		1
	JMS8-090	Gear 33 teeth (below Series no: 06101955)		1
90A	JMS8-090A	Gear 27 teeth assembly (88, 89, 90, 91)		1
91	JMS8-091	C-ring	10	1
92	JMS8-092	Bushing		1
93	JMS8-093-1	Front cover		1
	JMS8-093	Front cover (below Series no: 06101955)		1
94	JMS8-094	Screw	M5X12	4
95	JMS8-095	Screw	M4X65	2
96	JMS8-096	Stator		1
97	JMS8-097	Rubber ring		1
98	JMS8-098	Bearing	608 ZZ	1
99A	JMS8-099A	Armature 5 teeth gear		1
	JMS8-099	Armature 6 teeth gear (below Series no: 06101955)		1

<b>Index No.</b>	<b>Part No.</b>	<b>Description</b>	<b>Size</b>	<b>Qty.</b>
100	JMS8-100	Bearing	610 ZZ	1
101	JMS8-101	Washer	4	4
102	JMS8-102	Spring washer	4	4
103	JMS8-103	Screw	M4X55	4
104	JMS8-104	Brush holder		2
105	JMS8-105	Carbon brush		2
106	JMS8-106	Brush holder cover		2
107	JMS8-107	Screw	M5X8	2
108	JMS8-108	Screw	M4X12	2
109	JMS8-109	Motor Housing		1
110	JMS8-110	Dust bag		1
111	JMS8-111	Key		1
112	JMS8-112	Hex wrench		1
113	JMS8-113	Wrench		1
114	JMS8-114	Screw	M4X10	6
115	JMS8-115	Laser		1
116	JMS8-116	Laser holder		1
117	JMS8-117	Screw	ST4,2x10	1
118	JMS8-118	Clamp		1
119	JMS8-119	Battery compartement holder		1