

JET

JMSTT-10 Miter Saw with Top Table

**10000822M/U
230/50-60/1**

PARTS LIST ERSATZTEILLISTE LISTE DE PIECES

WMH Tool Group AG

Bahnstrasse 24, CH – 8603 Schwerzenbach

www.wmhtoolgroup.ch; info@wmhtoolgroup.ch

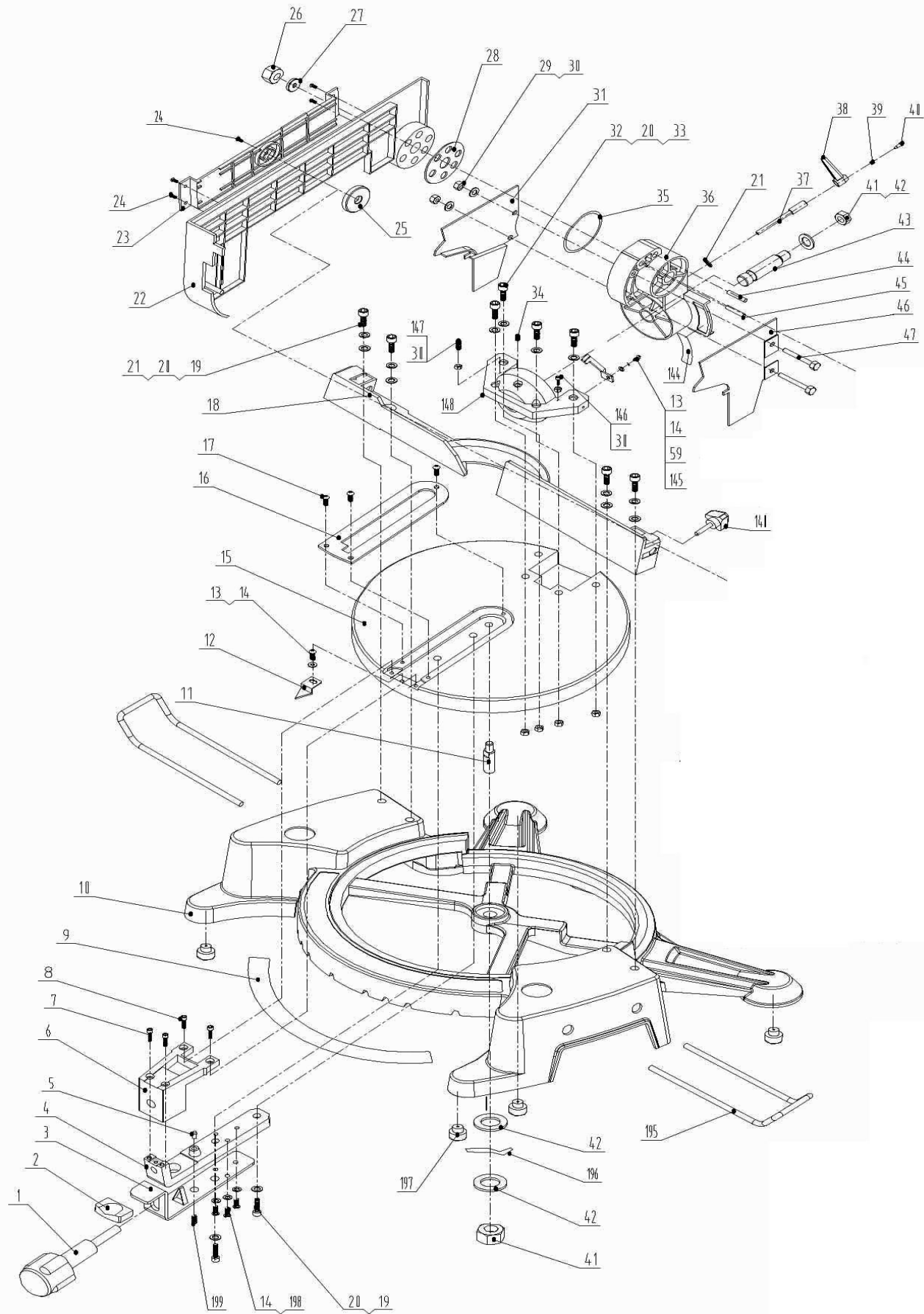
Tel +41 (0) 44 806 47 48

Fax +41 (0) 44 806 47 58

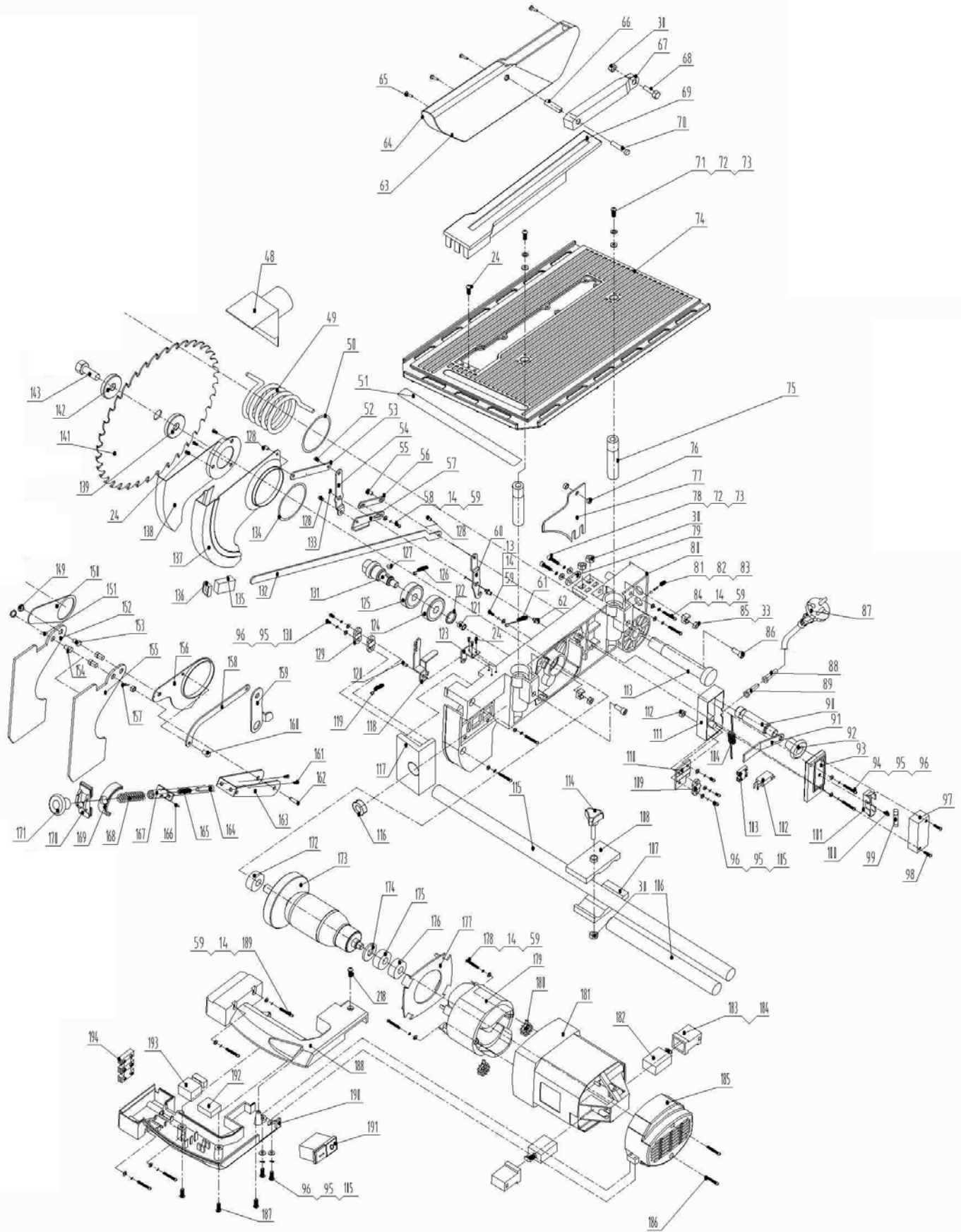


P-10000822M/U 07/06

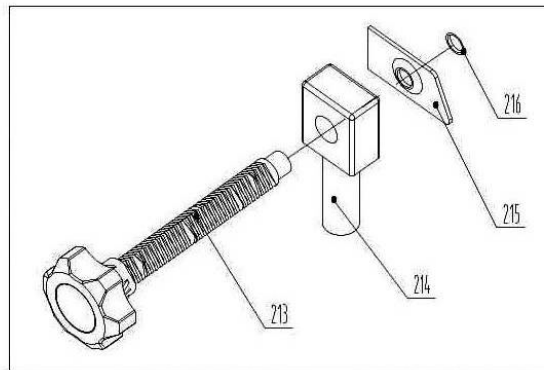
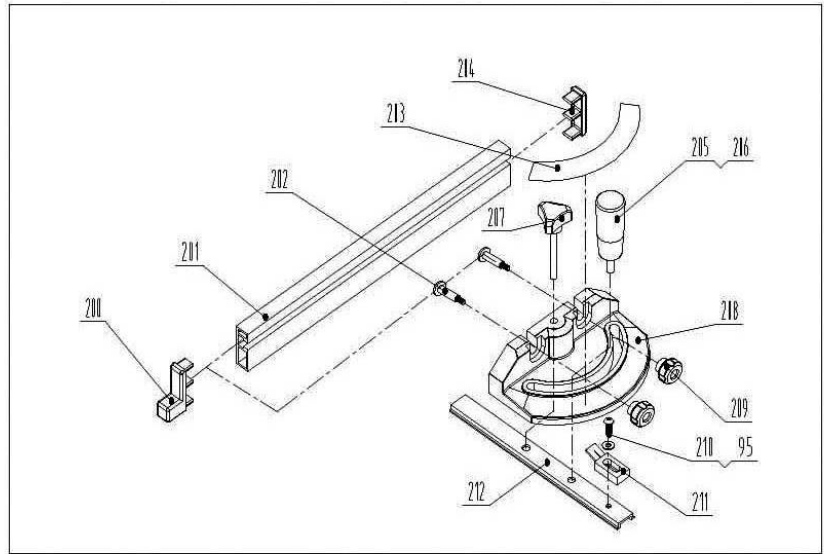
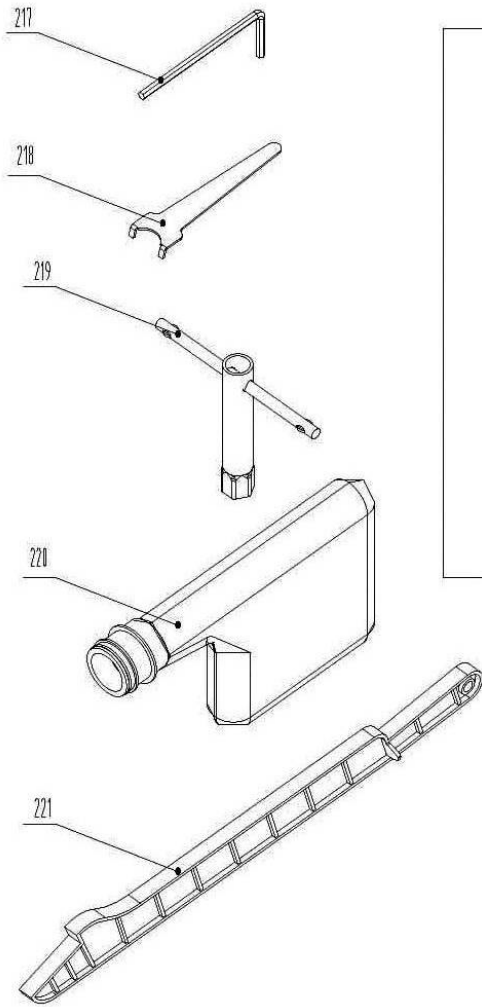
Parts Breakdown For JMSTT-10 Miter Saw with Top Table



Parts Breakdown For JMSTT-10 Miter Saw with Top Table



Parts Breakdown For JMSTT-10 Miter Saw with Top Table



Parts List For JMSTT-10 Miter Saw with Top Table

| Index No. | Part No. | Description | Size | Qty. |
|-----------|-------------|------------------------|-------|------|
| 1 | JMSTT10-001 | Table lock handle | | 1 |
| 2 | JMSTT10-002 | Lock button | | 1 |
| 3 | JMSTT10-003 | Lock spring | | 1 |
| 4 | JMSTT10-004 | Table connector | | 1 |
| 5 | JMSTT10-005 | Table adjust pin | | 1 |
| 6 | JMSTT10-006 | lock | | 1 |
| 7 | JMSTT10-007 | Screw | M5x20 | 2 |
| 8 | JMSTT10-008 | Screw | M5x12 | 2 |
| 9 | JMSTT10-009 | Angle ruler | | 1 |
| 10 | JMSTT10-010 | Base | | 1 |
| 11 | JMSTT10-011 | Tabel pin | | 1 |
| 12 | JMSTT10-012 | pointer | | 1 |
| 13 | JMSTT10-013 | Screw | M5x10 | 4 |
| 14 | JMSTT10-014 | Spring washer | ∅ 5 | 17 |
| 15 | JMSTT10-015 | Rotary table | | 1 |
| 16 | JMSTT10-016 | Rotary table insert | | 1 |
| 17 | JMSTT10-017 | Screw | M8x25 | 3 |
| 18 | JMSTT10-018 | Fence | | 1 |
| 19 | JMSTT10-019 | Screw | M8x25 | 6 |
| 20 | JMSTT10-020 | Spring washer | ∅ 8 | 10 |
| 21 | JMSTT10-021 | Washer | ∅ 8 | 6 |
| 22 | JMSTT10-022 | Side cover | | 1 |
| 23 | JMSTT10-023 | Side plate | | 1 |
| 24 | JMSTT10-024 | Screw | M4x8 | 12 |
| 25 | JMSTT10-025 | Side cover washer | | 1 |
| 26 | JMSTT10-026 | Nut | M16 | 1 |
| 27 | JMSTT10-027 | Washer | ∅ 16 | 1 |
| 28 | JMSTT10-028 | Washer | | 1 |
| 29 | JMSTT10-029 | Protect washer | ∅ 6 | 2 |
| 30 | JMSTT10-030 | Nut | M6 | 8 |
| 31 | JMSTT10-031 | Left side cover | | 1 |
| 32 | JMSTT10-032 | Screw | M8x25 | 4 |
| 33 | JMSTT10-033 | Nut | M8 | 6 |
| 34 | JMSTT10-034 | Fix screw | Mx25 | 1 |
| 35 | JMSTT10-035 | Washer | | 1 |
| 36 | JMSTT10-036 | Rotary connector | | 1 |
| 37 | JMSTT10-037 | Shaft | | 1 |
| 38 | JMSTT10-038 | Lock handle | | 1 |
| 39 | JMSTT10-039 | Shaft spring | | 1 |
| 40 | JMSTT10-040 | Screw | Mx5 | 1 |
| 41 | JMSTT10-041 | Nut | M12 | 1 |
| 42 | JMSTT10-042 | Washer | ∅ 12 | 3 |
| 43 | JMSTT10-043 | Rotary connector shaft | | 1 |
| 44 | JMSTT10-044 | Fix pin | | 1 |
| 45 | JMSTT10-045 | Move pin | | 1 |
| 46 | JMSTT10-046 | Right side cover | | 1 |
| 47 | JMSTT10-047 | Hex bolt | M6x35 | 2 |
| 48 | JMSTT10-048 | Dust port | | 1 |
| 49 | JMSTT10-049 | Spring | | 1 |
| 50 | JMSTT10-050 | Washer | | 1 |
| 51 | JMSTT10-051 | Ruler | | 1 |
| 52 | JMSTT10-052 | Rivet | | 1 |
| 53 | JMSTT10-053 | Upper connector | | 1 |
| 54 | JMSTT10-054 | Middle connector | | 1 |
| 55 | JMSTT10-055 | Lower connector screw | | 1 |
| 56 | JMSTT10-056 | Lower connector | | 1 |
| 57 | JMSTT10-057 | Lower connector-B | | 1 |

Parts List For JMSTT-10 Miter Saw with Top Table

| Index No. | Part No. | Description | Size | Qty. |
|-----------|-------------|-----------------------|------------------------|------|
| 58 | JMSTT10-058 | Screw | Mx8 | 1 |
| 59 | JMSTT10-059 | Washer | ∅ 5 | 13 |
| 60 | JMSTT10-060 | Lock hook | | 1 |
| 61 | JMSTT10-061 | Push pole spring | | 1 |
| 62 | JMSTT10-062 | Push pole screw | | 2 |
| 63 | JMSTT10-063 | Table right cover | | 1 |
| 64 | JMSTT10-064 | Table left cover | | 1 |
| 65 | JMSTT10-065 | Screw | ST2.9x19 | 4 |
| 66 | JMSTT10-066 | Spacer | | 1 |
| 67 | JMSTT10-067 | Table guard connector | | 1 |
| 68 | JMSTT10-068 | Bolt | M6x16 | 1 |
| 69 | JMSTT10-069 | Tabel insert | | 1 |
| 70 | JMSTT10-070 | Table guard shaft | | 1 |
| 71 | JMSTT10-071 | Screw | M6x16 | 2 |
| 72 | JMSTT10-072 | Spring washer | ∅ 6 | 4 |
| 73 | JMSTT10-073 | Washer | ∅ 6 | 4 |
| 74 | JMSTT10-074 | Table | | 1 |
| 75 | JMSTT10-075 | Table support tube | | 1 |
| 76 | JMSTT10-076 | Block | | 1 |
| 77 | JMSTT10-077 | Riving knife | | 1 |
| 78 | JMSTT10-078 | Inner hex blot | M6x20 | 2 |
| 79 | JMSTT10-079 | Riving knife block | | 1 |
| 80 | JMSTT10-080 | Beam | | 1 |
| 81 | JMSTT10-081 | Ball | | 1 |
| 82 | JMSTT10-082 | Press ball spring | | 1 |
| 83 | JMSTT10-083 | Inner hex screw | M6x10 | 1 |
| 84 | JMSTT10-084 | Screw | ST4.8x55 | 4 |
| 85 | JMSTT10-085 | Lock block | | 1 |
| 86 | JMSTT10-086 | Inner blot | M8x20 | 2 |
| 87 | JMSTT10-087 | Cable | VDE 2X1mm ² | 1 |
| 88 | JMSTT10-088 | Sleeve-A | | 1 |
| 89 | JMSTT10-089 | sleeve | | 1 |
| 90 | JMSTT10-090 | Lock pin | | 1 |
| 91 | JMSTT10-091 | Angle block | | 1 |
| 92 | JMSTT10-092 | Rubber washer | | 1 |
| 93 | JMSTT10-093 | Connector case | | 1 |
| 94 | JMSTT10-094 | Screw | M4x55 | 2 |
| 95 | JMSTT10-095 | Spring washer | ∅ 4 | 10 |
| 96 | JMSTT10-096 | Washer | ∅ 4 | 9 |
| 97 | JMSTT10-097 | Case upper cover | | 1 |
| 98 | JMSTT10-098 | Screw | ST4.2x16 | 2 |
| 99 | JMSTT10-099 | Fuse | 8A | 1 |
| 100 | JMSTT10-100 | Screw | M4x10 | 1 |
| 101 | JMSTT10-101 | Fuse keeper | | 1 |
| 102 | JMSTT10-102 | Micro switch | | 1 |
| 103 | JMSTT10-103 | Connector | | 1 |
| 104 | JMSTT10-104 | Inductance | | 1 |
| 105 | JMSTT10-105 | Screw | M4x14 | 5 |
| 106 | JMSTT10-106 | Fix bar-A | | 1 |
| 107 | JMSTT10-107 | Upper clip | | 1 |
| 108 | JMSTT10-108 | Lower clip | | 1 |
| 109 | JMSTT10-109 | Strain relief | | 1 |
| 110 | JMSTT10-110 | Strain relief-A | | 1 |
| 111 | JMSTT10-111 | Connector case | | 1 |
| 112 | JMSTT10-112 | Wire keep | | 1 |
| 113 | JMSTT10-113 | Head shaft | | 1 |
| 114 | JMSTT10-114 | Knob | | 1 |

Parts List For JMSTT-10 Miter Saw with Top Table

| Index No. | Part No. | Description | Size | Qty. |
|-----------|--------------|---|---------|------|
| 115 | JMSTT10-115 | Fix bar-B | | 1 |
| 116 | JMSTT10-116 | Wire sleeve | | 1 |
| 117 | JMSTT10-117 | Wire sleeve support | | 1 |
| 118 | JMSTT10-118 | Hook | | 1 |
| 119 | JMSTT10-119 | Hook spring | | 1 |
| 120 | JMSTT10-120 | Rivet | | 3 |
| 121 | JMSTT10-121 | Needle bearing | HK0910 | 1 |
| 122 | JMSTT10-122 | Snap ring | ∅ 14 | 1 |
| 123 | JMSTT10-123 | Hook support | | 1 |
| 124 | JMSTT10-124 | Driven gear | | 1 |
| | JMSTT10-124A | Driven gear assembly (122, 124, 125, 127 131) | | |
| 125 | JMSTT10-125 | Ball bearing | 6204-2Z | 1 |
| 126 | JMSTT10-126 | Hook spring-A | | 1 |
| 127 | JMSTT10-127 | key | 3x13 | 1 |
| 128 | JMSTT10-128 | Rivet | | 1 |
| 129 | JMSTT10-129 | Strain relief -B | | 1 |
| 130 | JMSTT10-130 | Screw | M4x16 | 2 |
| 131 | JMSTT10-131 | Out put shaft | | 1 |
| 132 | JMSTT10-132 | Push pole | | 1 |
| 133 | JMSTT10-133 | Snap ring | ∅ 7 | 1 |
| 134 | JMSTT10-134 | Bearing washer | | 1 |
| 135 | JMSTT10-135 | Push handle | | 1 |
| 136 | JMSTT10-136 | Push pole sleeve | | 1 |
| 137 | JMSTT10-137 | Blade guard | | 1 |
| 138 | JMSTT10-138 | Fix guard | | 1 |
| 139 | JMSTT10-139 | Positing ring | | 1 |
| 140 | JMSTT10-140 | Button | | 1 |
| 141 | JMSTT10-141 | Blade | | 1 |
| 142 | JMSTT10-142 | Fix ring | | 1 |
| 143 | JMSTT10-143 | Screw | M8x20 | 1 |
| 144 | JMSTT10-144 | Mitre scale | | 1 |
| 145 | JMSTT10-145 | Angle pointer | | 1 |
| 146 | JMSTT10-146 | Screw | M6x25 | 1 |
| 147 | JMSTT10-147 | Screw | M6x16 | 1 |
| 148 | JMSTT10-148 | Bevel support | | 1 |
| 149 | JMSTT10-149 | Clip ring | ∅ 6 | 2 |
| 150 | JMSTT10-150 | Protect cover sonnect | | 1 |
| 151 | JMSTT10-151 | Coil spring-left | | 1 |
| 152 | JMSTT10-152 | Protection plate-left | | 2 |
| 153 | JMSTT10-153 | Protection plate rivet | | 2 |
| 154 | JMSTT10-154 | Rivet | | 1 |
| 155 | JMSTT10-155 | Protection plate-right | | 1 |
| 156 | JMSTT10-156 | Connector plate | | 1 |
| 157 | JMSTT10-157 | Coil spring-right | | 1 |
| 158 | JMSTT10-158 | Hook connecter | | 1 |
| 159 | JMSTT10-159 | Hook block | | 1 |
| 160 | JMSTT10-160 | Rivet-B | | 1 |
| 161 | JMSTT10-161 | Screw | M4x6 | 2 |
| 162 | JMSTT10-162 | Push pole pin | | 1 |
| 163 | JMSTT10-163 | Guard connector | | 1 |
| 164 | JMSTT10-164 | Pole | | 1 |
| 165 | JMSTT10-165 | Pole spring | | 1 |
| 166 | JMSTT10-166 | Spring pin | | 1 |
| 167 | JMSTT10-167 | Push pole base | | 1 |
| 168 | JMSTT10-168 | Pole spring-b | | 1 |
| 169 | JMSTT10-169 | Sliding washer | | 1 |
| 170 | JMSTT10-170 | Move cover | | 1 |
| 171 | JMSTT10-171 | Push pole handle | | 1 |

Parts List For JMSTT-10 Miter Saw with Top Table

| Index No. | Part No. | Description | Size | Qty. |
|-----------|-------------|---------------------|----------|------|
| 172 | JMSTT10-172 | Ball bearing | 6201-2Z | 1 |
| 173 | JMSTT10-173 | Armature | | 1 |
| 174 | JMSTT10-174 | Spacer ring | | 1 |
| 175 | JMSTT10-175 | Ball bearing | 629-2Z | 1 |
| 176 | JMSTT10-176 | Rubber washer | | 1 |
| 177 | JMSTT10-177 | Vent block | | 1 |
| 178 | JMSTT10-178 | Screw | M5x65 | 1 |
| 179 | JMSTT10-179 | Stator | | 1 |
| 180 | JMSTT10-180 | Small inductance | | 1 |
| 181 | JMSTT10-181 | House | | 1 |
| 182 | JMSTT10-182 | Carbon brush | | 2 |
| 183 | JMSTT10-183 | Carbon brush holder | | 2 |
| 184 | JMSTT10-184 | Carbon brush case | | 1 |
| 185 | JMSTT10-185 | Rear cover | | 1 |
| 186 | JMSTT10-186 | Screw | ST4.2x19 | 2 |
| 187 | JMSTT10-187 | Screw | ST3.8X19 | 4 |
| 188 | JMSTT10-188 | Upper handle | | 1 |
| 189 | JMSTT10-189 | Screw | M5x50 | 4 |
| 190 | JMSTT10-190 | Lower handle | | 1 |
| 191 | JMSTT10-191 | Switch | KJD17 | 1 |
| 192 | JMSTT10-192 | Capacity | | 1 |
| 193 | JMSTT10-193 | Main switch | HY15 | 1 |
| 194 | JMSTT10-194 | Connector pole | | 1 |
| 195 | JMSTT10-195 | Extension bar | | 2 |
| 196 | JMSTT10-196 | Wave washer | | 1 |
| 197 | JMSTT10-197 | Rubber feet | | 4 |
| 198 | JMSTT10-198 | Screw | M5x12 | 3 |
| 199 | JMSTT10-199 | Inner hex screw | M6x8 | 1 |
| 200 | JMSTT10-200 | Ruler cover-A | | 1 |
| 201 | JMSTT10-201 | Ruler | | 1 |
| 202 | JMSTT10-202 | Bolt | | 2 |
| 203 | JMSTT10-203 | Angle ruler | | 1 |
| 204 | JMSTT10-204 | Ruler cover-B | | 1 |
| 205 | JMSTT10-205 | Ruler button | | 1 |
| 206 | JMSTT10-206 | Ruler fix button | | 1 |
| 207 | JMSTT10-207 | Mitre guage button | | 1 |
| 208 | JMSTT10-208 | Mitre guage base | | 1 |
| 209 | JMSTT10-209 | Fix button | | 2 |
| 210 | JMSTT10-210 | Screw | M4x6 | 1 |
| 211 | JMSTT10-211 | Mitre guage pointer | | 1 |
| 212 | JMSTT10-212 | Guide bar | | 1 |
| 213 | JMSTT10-213 | Vice button | | 1 |
| 214 | JMSTT10-214 | Vice nut | | 1 |
| 215 | JMSTT10-215 | Clip plate | | 1 |
| 216 | JMSTT10-216 | Snap ring | | 1 |
| 217 | JMSTT10-217 | Wrench | | 1 |
| 218 | JMSTT10-218 | Hook wrench | | 1 |
| 219 | JMSTT10-219 | Socket wrench | | 1 |
| 220 | JMSTT10-220 | Dust bag | | 1 |
| 221 | JMSTT10-221 | Assistent handle | | 1 |