

JET

JPM-400D

Double side planer

50000840T...380/50/3

Список деталей

WMH Tool Group AG

Bahnstrasse 24,

CH – 8603 Schwerzenbach

www.wmhtoolgroup.ch

info@wmhtoolgroup.ch

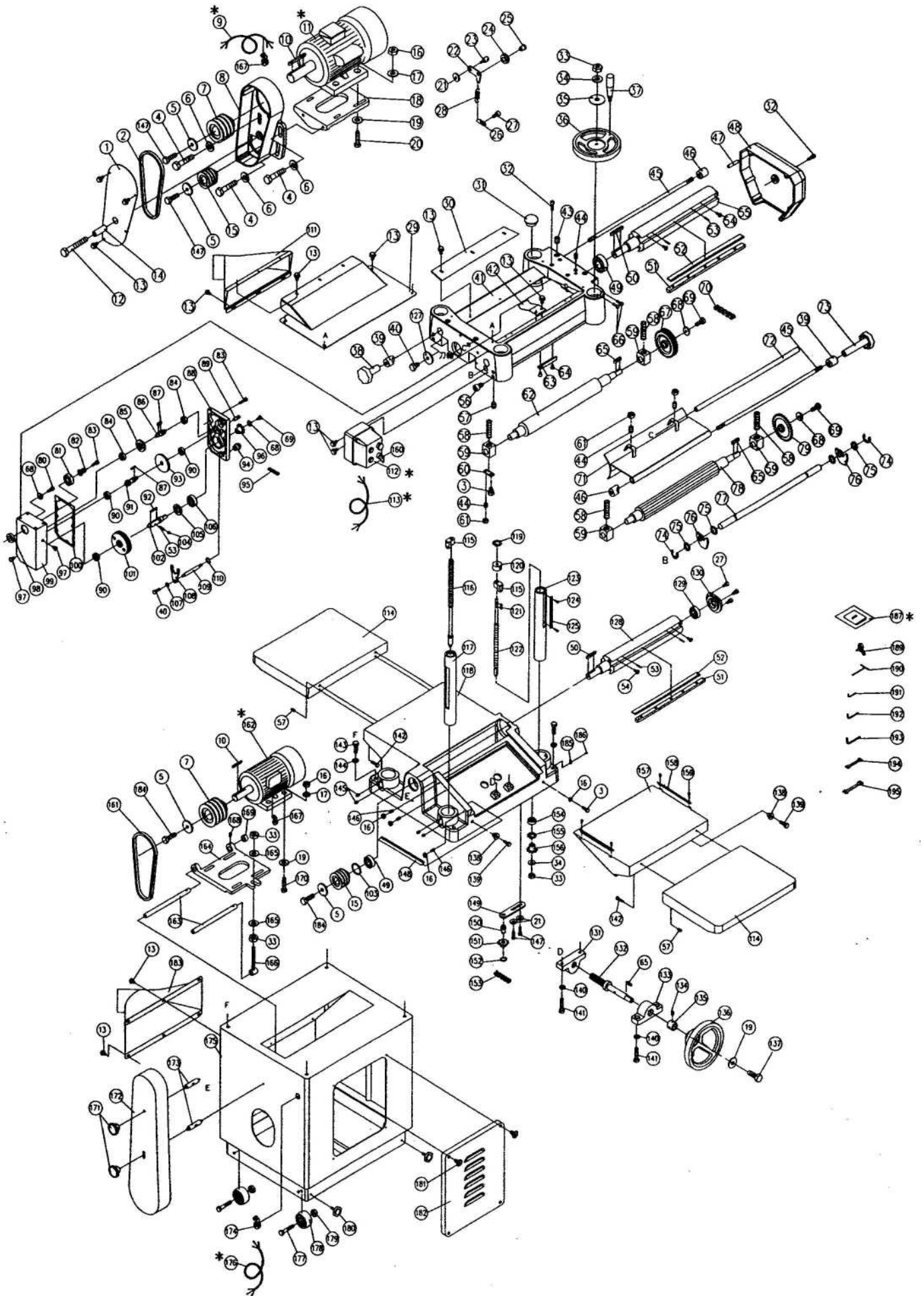
Tel +41 (0)44 806 47 48

Fax +41 (0) 44 806 47 58

P-50000840T...06/06



Double side planer assembly



Parts List: double side planer

No.	Part No.	Part Name	Specification	Quantity
1	DK010015	Cover		1
2	HK011300	V-belt	M27	3
3	HA010510	Hexagonal head screw	M8x1.25Px20	5
4	HA010616	Hexagonal head screw	M10x1.5Px30	3
5	HE018300	Plain washer	8 x 30 x 3	4
6	HE019700	Plain washer	10x25x3	3
7	PJ010002	Motor pulley		2
8	DK010010	V-belt guard		1
9	DK0101	Upper cutterhead motor wires		1
10	HH010417	Double round end key	5 x 5 x 30	2
11	DK0102	Upper cutterhead motor		1
12	HA010628	Hexagonal head screw	M10x1.5Px50	1
13	HA100405	Hexagonal head screw with washer	M6x1.0Px12	31
14	PJ010004	Long bushing		1
15	PJ010005	Cutterhead pulley		2
16	HC010800	Nut	M8x1.25P	12
17	HE013400	Plain washer	8.5x16x1.5	8
18	PJ010006	Motor base		1
19	HE015300	Plain washer	8.5 x 23 x 2	9
20	HA010522	Hexagonal head screw	M8x1.25Px40	4
21	HE018400	Plain washer	8.2 x 22 x 3	3
22	PJ010007	Bracket		1
23	PJ010008	Wheel shaft		1
24	PJ010009	Tension wheel		1
25	PJ010010	Tension wheel shaft		1
26	PJ010011	Hook		1
27	HA020404	Hexagonal socket head screw	M6x1.0Px10	5
28	PJ010012	Spring		1
29	DK010014	Upper cover		1
30	PJ010014	Chip guard		1
31	PJ010015	Plug		3
32	HA010528	Hexagonal socket head screw	M8x1.25Px50	5
33	HC010900	Nut	M10x1.25P	10
34	HE018600	Plain washer	10x20x1.5	5
35	PJ010016	Direction indication label		1
36	PJ010017	Handwheel		1
37	PJ010018	Handle		1
38	PJ010019	Lock knob		1
39	PJ010020	Clamping piece		2
40	HA010405	Hexagonal head screw	M6x1.0Px12	5
41	DK010023	Upper mechanism		1
42	PJ010022	Elastic plate		3
43	PJ010023	Screw		4
44	HA030408	Set screw	M6x1.0Px16	7
45	DK010022	Screw shaft		2
46	PJ010026	Nut		2
47	HG011111	Spring pin	6x20	2
48	PJ010026	Side cover		1
49	HJ022300	Bearing	#6205ZZ	2
50	HH013523	Double round end key	8 x 8 x 40	2
51	DK0103	Knife gib set		6
	DK010301	Knife gib		1
	PJ010302	Gib set screw		5
52	DK010009	Knife		6

Parts List: double side planer

No.	Part No.	Part Name	Specification	Quantity
53	JE010018	Spring		13
54	HA080305	Flat socket head screw	M5x0.8Px12	12
55	DK010017	Upper cutterhead		1
56	HA020408	Hexagonal socket head screw	M6x1.0Px16	8
57	HA030505	Set screw	M8x1.25Px12	5
58	PJ010027	Spring		4
59	PJ010028	Roller bracket		4
60	PJ010029	Support plate		4
61	HC010600	Nut	M6X1.0P	6
62	DK010018	Outfeed roller		1
63	PJ010030	Thickness limiter		1
64	HA050305	Flat cross head screw	M5xO.8Px12	2
65	HH030410	Single round end key	5 x 5 x 22	3
66	HI010105	Rivet	2x5	2
67	PJ010031	Chain wheel		1
68	HE018000	Plain washer	6.2 x 20 x 3	4
69	HA010408	Hexagonal head screw	M6x1.0Px16	3
70	HK445100	Chain	#06B x 63P	1
71	DK010020	Cover		1
72	DK010021	Adjustment shaft		1
73	PJ010034	Knob		1
74	HF032100	E circlip	ETW-15	2
75	PJ010035	Spacing collar		45
76	PJ010036	Anti-kickback finger		44
77	DK010023	Shaft		1
78	DK010019	Infeed roller		1
79	PJ010039	Chain wheel		1
80	HA020405	Hexagonal socket head screw	M6x1.0Px12	1
81	HJ012200	Bearing	#6204Z	1
82	PJ010040	Gear		1
83	HA020413	Hexagonal socket head screw	M6x1.0Px25	6
84	HJ141900	Bearing	#6201	2
85	PJ010041	Gear		1
86	PJ010042	Transmission shaft		1
87	HH010405	Double round end key	5x5x10	2
88	PJ010043	Gear box cover		1
89	PJ010044	Pin		2
90	HJ151900	Bearing	#6201 (A)	3
91	PJ010046	Transmission shaft		1
92	HH010523	Double round end key	6 x 6 x 40	1
93	PJ010046	Gear		1
94	JE010101	Knob		1
95	HK443500	Chain	#06B x 47P	1
96	PJ010047	Chain wheel		1
97	HM110303	Oil plug	PT1/4"-19	2
98	HM141304	Oil seal	TC28 x 40 x 8	1
99	PJ010048	Gear box		1
100	PJ010049	Gasket		1
101	PJ0119	Gear set		1
	PJ011901			1
	PJ011902	Gear		1
	HA020405	Hexagonal socket head screw	M6x1.0Px12	2
102	PJ010052	Transmission shaft		1
103	HF024000	"FT circlip	RTW-52	1
104	HL011200	Steel ball	6	1
105	HM131103	Oil seal	SC25x47x6	1

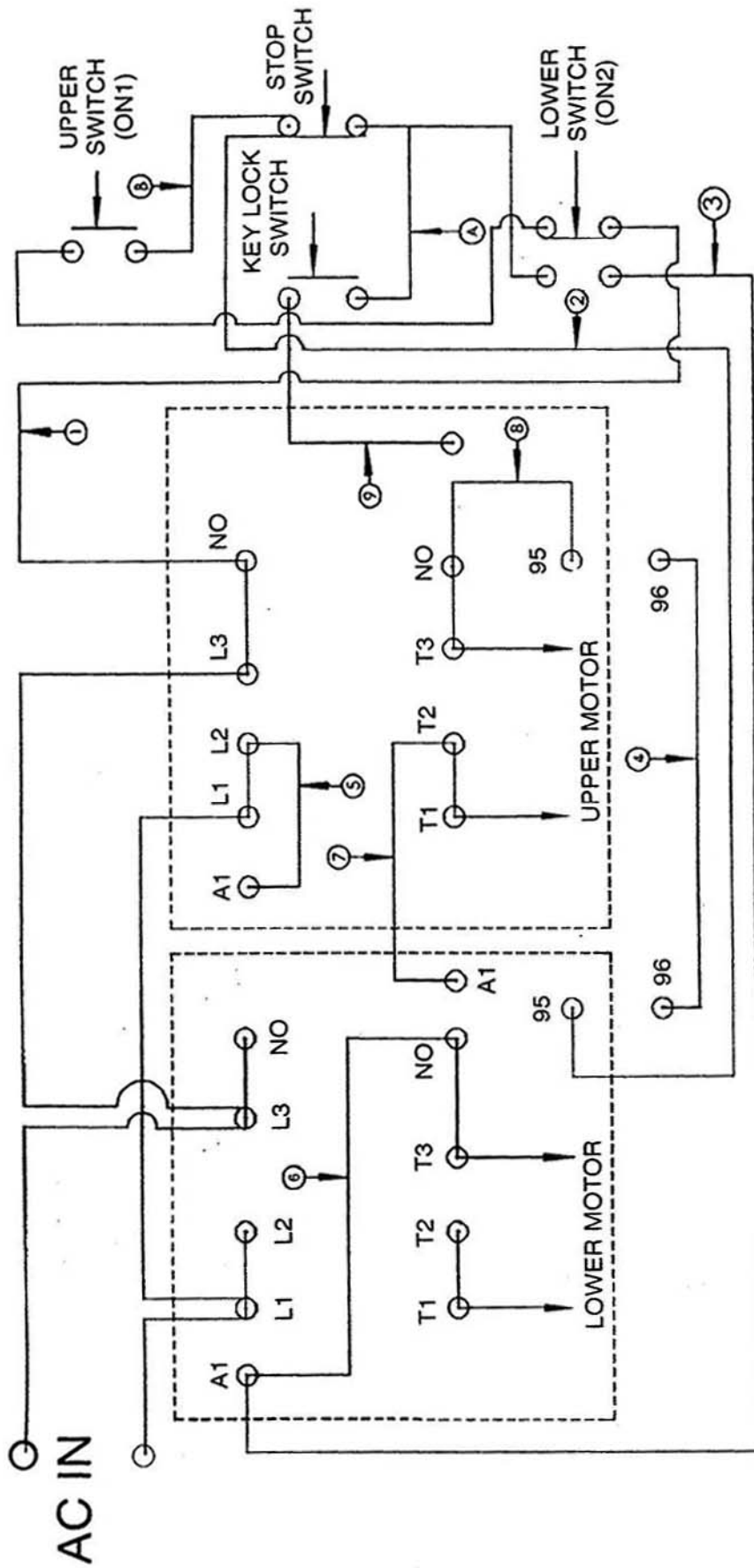
Parts List: double side planer

No.	Part No.	Part Name	Specification	Quantity
106	HJ152200	Bearing	#6204(A)	1
107	HE019900	Plain washer	8.4x11.5x1.6	1
108	PJ010054	Clutch		1
109	PJ010055	Engaging shaft		1
110	HM081100	Oring	P12	1
111	DK010016	Upper dust hood		1
112	DK0104	Electric control box		1
113	DK0105	Power wires		2
114	DK010027	Extension ring		2
115	PJ010057	Nut		4
116	DK010004	Short screw shaft		3
117	DK010003	Column		3
118	DK010001	Base		1
119	HF023200	R circlip	RTW-38	1
120	PJ010071	Support collar		1
121	HH010311	Double round end key	4 x 4 x 20	1
122	DK010006	Long screw shaft		1
123	DK010005	Column		1
124	HA040202	Round cross head screw	M3 x 0.5P x 6	2
125	PJ010068	Thickness scale		1
126	HF013900	Set screw	STW-52	4
127	HE012000	Plain washer	6.5 x 23 x 3	4
128	DK010007	Lower cutterhead		1
129	HJ022200	Ball bearing	#6204ZZ	1
130	DK010008	Bearing cap		1
131	DK010012	Bracket		1
132	JG010023	Screw		1
133	JG010021	Bracket		1
134	HB030705	Set screw	1/4"-20NC x 3/8"	2
135	JG010024	Collar		1
136	JG010401	Handwheel		1
137	HB010906	Hexagonal head screw	5/16"-18NCx1/2"	1
138	DK010029	Spring washer		2
139	HA010612	Hexagonal socket head screw	M10x1.5Px24	2
140	HE021600	Spring washer	13x22.7	4
141	HB021314	Hexagonal socket head screw	1/2"-12NCx 1-1/2"	4
142	HA010513	Hexagonal head screw	M8x1.25Px35	4
143	HA010534	Hexagonal head screw	M8x1.25Px60	4
144	HE021100	Spring washer	8.2x15.4	4
145	HA030605	Set screw	M10x1.5Px12	8
146	HA030519	Set screw	M8 x 1.25P x 35	3
147	HA010513	Hexagonal head screw	M8 x 1.25P x 25	4
148	DK010002	Gib		1
149	DK010028	Idle wheel bracket		1
150	PJ010064	Idle wheel shaft		1
151	PJ010063	Gear		1
152	HF011300	"S" circlip	STW-15	1
153	HK257500	Chain	#41 X142P	1
154	HJ042800	Bearing	#6202Z(A)	4
155	HF023000	R circlip	RTW-35	4
156	PJ010067	Chain wheel		4
157	DK010011	Infeed table		1

Parts List: double side planer

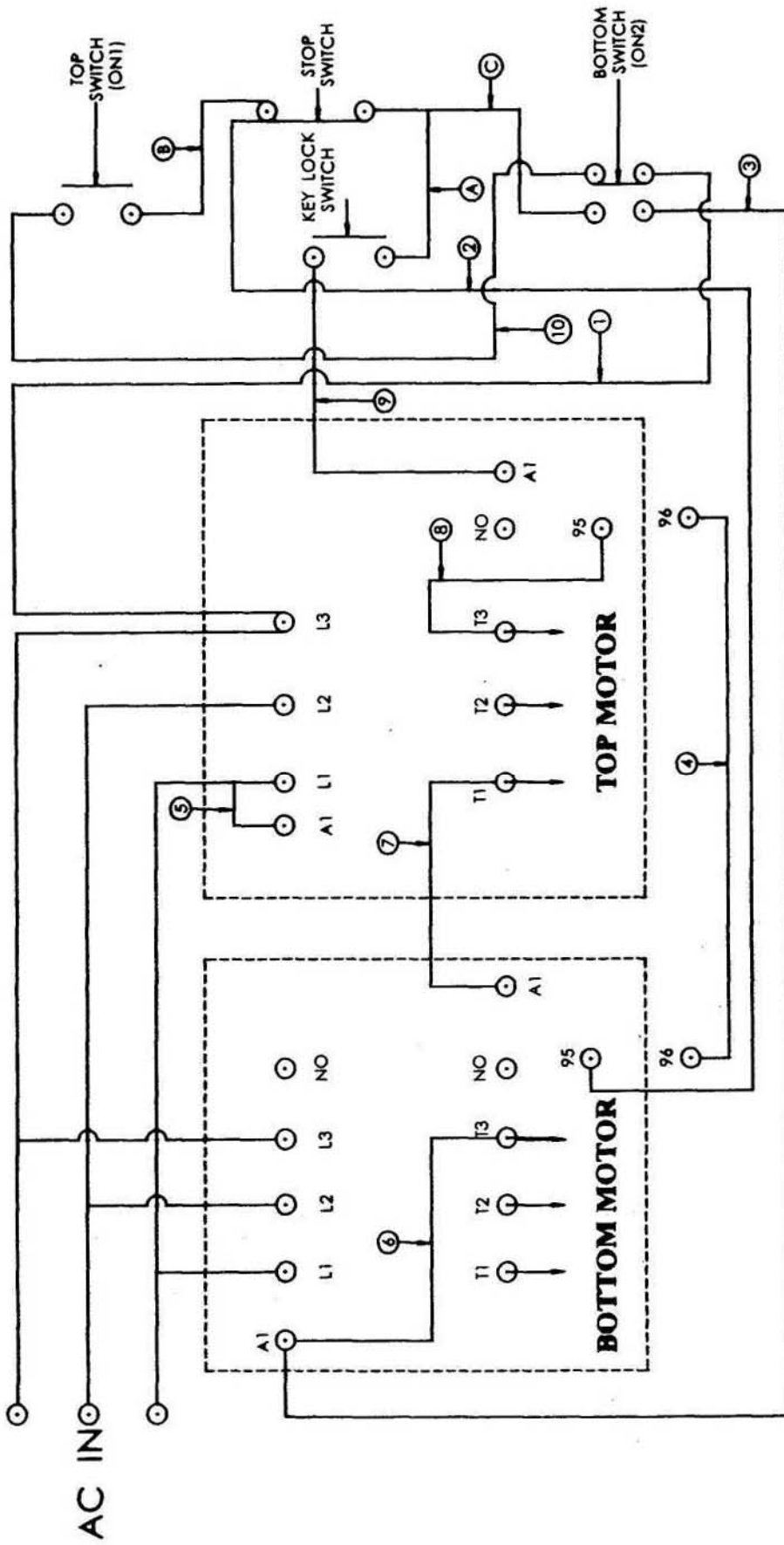
No.	Part No.	Part Name	Specification	Quantity
158	PG930003	Fence		2
159	HA020303	Round cross head screw	M5 x 0.8P x 8	4
160	DK010030	Switch		2
161	HK013100	V-belt	M45	3
162	DK0106	Lower cutterhead motor		1
163	PJ030014	Motor base shaft		2
164	PJ030012	Motor base		1
165	HE019600	Plain washer	12x28x3	2
166	PJ0310	Adjustment shaft set		1
	PJ031001	Adjustment shaft		1
	PJ031002	Positioning piece		1
167	HN031000	Clamp	SB8R-3	2
168	HA030405	Set screw	M6x1.0Px12	3
169	PJ030013	Spacing collar		1
170	HA010516	Hexagonal head screw	M8x1.25Px30	4
171	PJ030001	Nut		2
172	DK010026	Belt guard		1
173	PJ030003	Bolt		2
174	HN031100	Plain washer	SB8R-3	1
175	DK010024	Machine cabinet		1
176	DK0107	Lower motor wires		1
177	HB011122	Hexagonal head screw	3/8 x16NCx 2-1/2	4
178	PJ070006	Castor		4
179	HD040900	Set nut	3/8x16NC	4
180	HB130308	Knob	5/16 x18NCx 3/4	2
181	HA050405	Flat cross head screw	M6x1.0Px12	4
182	PJ100001	Cover		1
183	DK010025	Lower dust hood		1
184	HA200513	Hexagonal head screw	M8x1.25Px20	2
185	AE010026	Infeed table depth indicator		1
186	HA040403	Round cross head screw		1
187	DK0108	Operation manual		1
189	PJ010075	Knife setting gauge		1
190	HQ041200	T-wrench	17mm	1
191	HQ010400	Allen wrench	3mm	1
192	HQ010500	Allen wrench	4mm	1
193	HQ010700	Allen wrench	6mm	1
194	HQ020400	Open end wrench	8x10	1
195	HQ020900	Open end wrench	12x14	1

Электросхема



SINGLE PHASE MOTOR

Электросхема



Three-Phase Wiring Diagram