

JET

JRD-1100R

Radial Drill

10000385T...380/50/3

Список деталей

WMH Tool Group AG

Bahnstrasse 24,

CH - 8603 Schwerzenbach

www.wmhtoolgroup.ch

info@wmhtoolgroup.ch

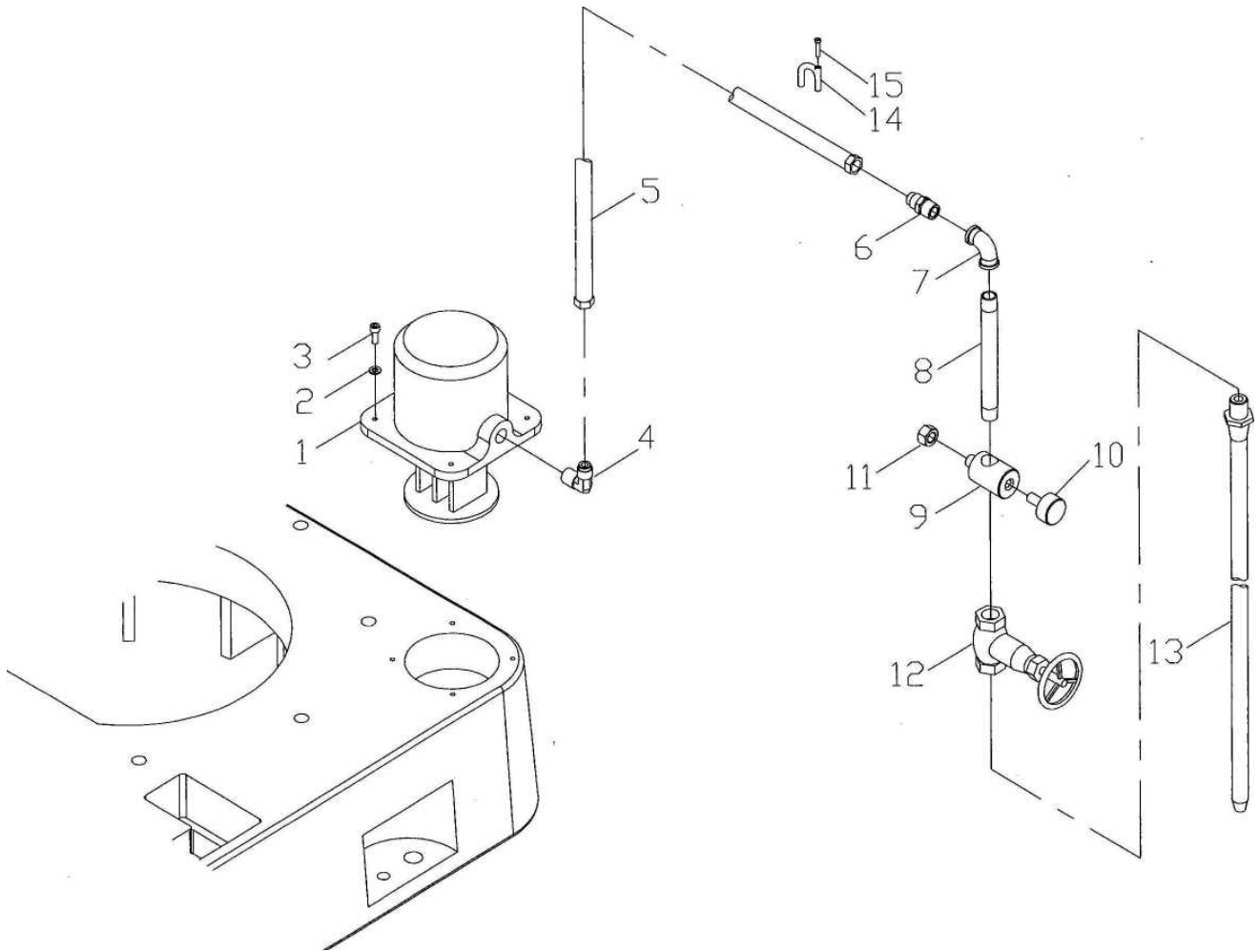
Tel +41 (0)44 806 47 48

Fax +41 (0) 44 806 47 58

P-10000385T...04/06



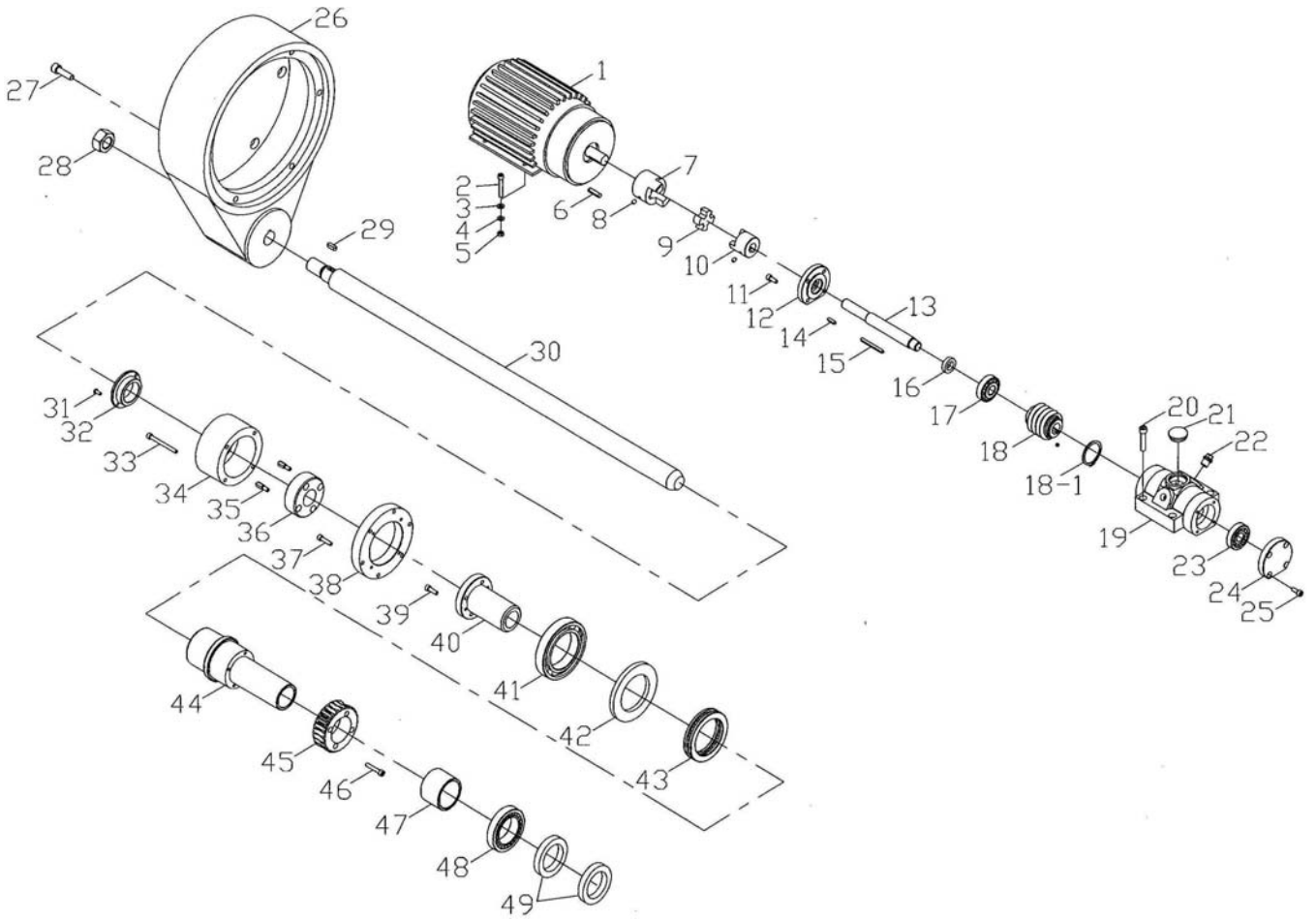
Unit No. 1 Cooling device



Unit No. 1 Cooling device

Index No.	Part No.	Drawing No.	Parts Name	Type	Q'ty
1	M1210049		Deluged Motor	130L 220/380V	1
2	M1602-M6		Washer	M6	4
3	M1401-M6*16		Bolt	M6*16L	4
4	M0602001		90°Elbow	PT3/8"*PS3/8"*90°	1
5	M0506001	M0506-3/8"*130"	Net Plastic Pipe	PT3/8"*130"L	1
6	M0601002		Male Connector	PT3/8"*PS3/8"	1
7	M0611001		90°Elbow	3/8"*90°	1
8	M0510001	M0510-3/8"*15"		3/8"*15"L	1
9	10235	11-OS007	Tube Sleeve		2
10	M1317006			M10*25L	2
11	M1501003	M1501-1/2"	Nut	1/2"	1
12	M0608001	M0608-3/8"	Water Switch	3/8"	1
13	M0512001		Spraying Pipe	3/8"*450L	1
14	M1315017		Tube Bundle	UC-5	2
15	M1414006		Bolt	3/16"*3/8"L	2

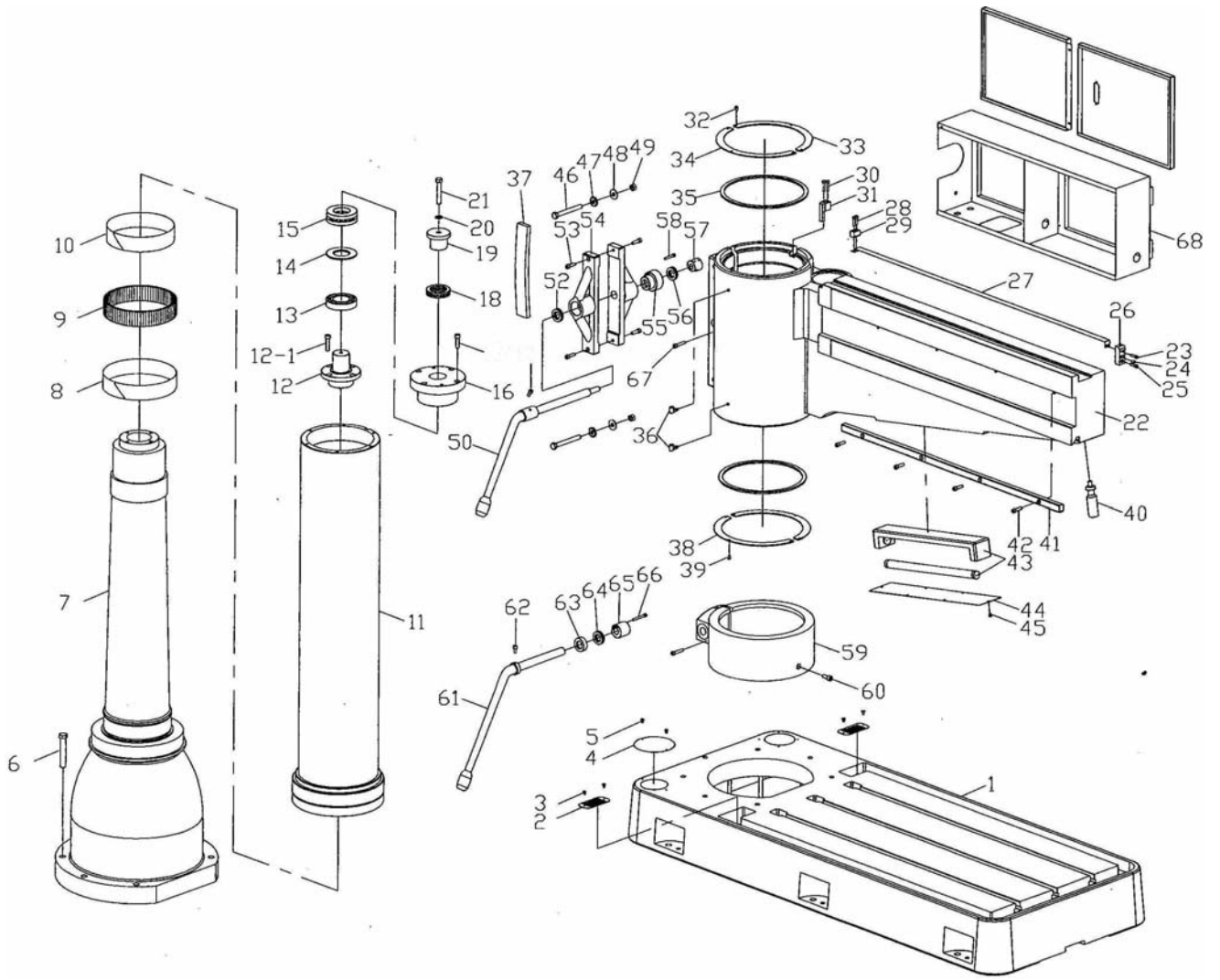
Unit No. 2 Lift mechanism



Unit No. 2 Lift mechanism

Index No.	Part No.	Drawing No.	Parts Name	Type	Q'ty
1	M1210010		Motor	4P 220/380V 50/60Hz	1
2	M1401-M6*40		Bolt	M6*40L	4
3	M1606-M6		Spring Washer	M6	4
4	M1602-M6		Washer	M6	4
5	M1501-M6		Nut	M6	4
6	M1308-6*30		Key	6mm*30L	1
7	10238	11-UD002	Coupling		1
8	M1403-M6*8		Bolt	M6*8L	4
9	10397	1230-UD003	Plastic joint		1
10	10398	1230-UD004	Coupling		1
11	M1401-M6*14		Bolt	M6*14L	4
12	10399	1230-UD005			1
13	10400	1230-UD006	Worm Shaft		1
14	M1328-5*20		Key	5mm*20L	1
15	M1328-5*55		Key	5mm*55L	1
16	M0702030		Oil Seal	TC17*28*7	1
17	M0909-30303		Bearing	30303	1
18	10401	1230-UD007	Worm shaft		1
18-1	M1312-S36		Retainer	S36	1
19	10402	1230-UD008	Worm hosing		1
20	M1401-M8*40		Bolt	M8*40L	4
21	M1323021		Gage Fuel Level		1
22	M0604006	M0604-PT1/4"	Plug	PT1/4"	2
23	M0909-30303		Bearing	30303	1
24	10403	1230-UD010A			1
25	M1401-M6*14		Bolt	M6*14L	4
26	10239	11-UD023A	Nut Cover		1
27	M1401-M10*35		Bolt	M10*35L	6
28	M1503-M24		Nut	M24	1
29	M1328-6*20		Key	6mm*20L	1
30	10412	1230-UD022A	Leading screw		1
31	M1410-M5*12		Bolt	M5*12L	2
32	10415	1230-UD025	Compressing Cover		1
33	M1401-M6*65		Bolt	M6*65L	4
34	10411	1230-UD021	Safe Device Cover		1
35	10177	8A-UD028	Bolt		2
36	10410	1230-UD020A	Safety Nut		1
37	M1401-M6*25		Bolt	M6*25L	6
38	10409	1230-UD018B	Bearing Cover		1
39	M1401-M6*20		Bolt	M6*20L	4
40	10408	1230-UD017A	Brass sleeve		1
41	M0901-6014ZZ		Bearing	6014ZZ	1
42	10407	1230-UD015	Collar		1
43	M0911-51114		Bearing	51114	1
44	10406	1230-UD013A	Up-down rolling Shaft		1
45	10405	1230-UD012A	Worm Gear		1
46	M1401-M6*35		Bolt	M6*35L	4
47	10404	1230-UD011	Collar		1
48	M0909-32010		Bearing	32010	1
49	M0702040		Seal Oil	TC50*72*12	2

Unit No. 3 Column mechanism



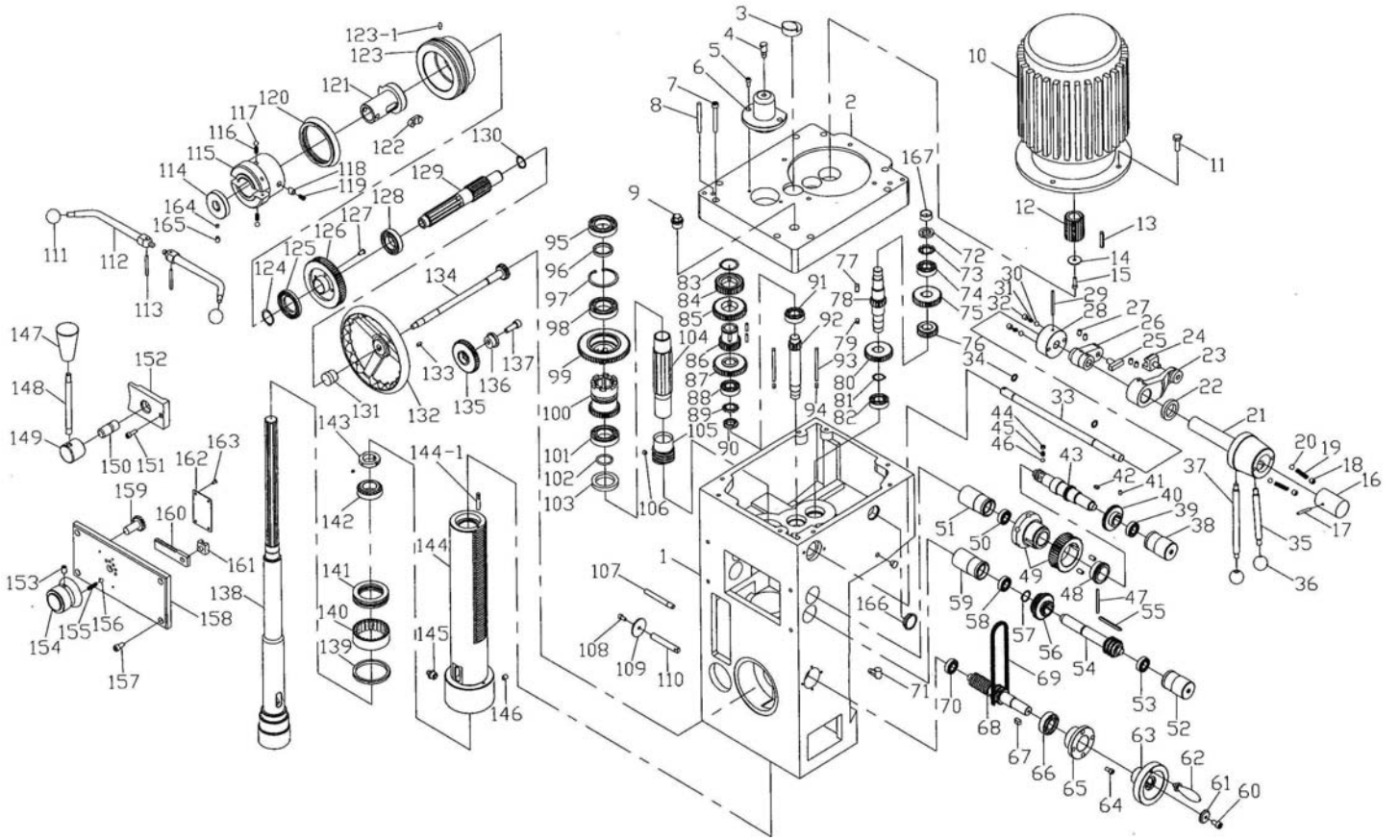
Unit No.3 Column mechanism

Index No.	Part No.	Drawing No.	Parts Name	Type	Q'ty
1	10183	11-BC001	Base		1
2	10277	1230-BC059	Filter Screen		2
3	M1414006	M1414-3/16"*3/8"	Bolt	3/16"*3/8"L	4
4	10037	8A-BC035	Cover		1
5	M1414006	M1414-3/16"*3/8"	Bolt	3/16"*3/8"L	2
6	M1402001		Bolt	M18*100L	7
7	10184	11-BC003	Internal Column		1
8	10201	11-BC042	Steel Band		1
9	10243	1230-BC004	Needle		80
10	10200	11-BC041	Steel Band		1
11	10185	11-BC007B	Steel Band		1
12	10248	1230-BC012	Bearing cover of the top		1
12-1	M1401-M10*40		Bolt	M10*40L	4
13	M0901-6211		Bearing	6211	1
14	10249	1230-BC012-2	Washer		1
15	M0911-3911		Bearing	3911	1
16	10245	1230-BC008	Fixed Bearing Cover		1
17	M1401-M10*25		Bolt	M10*25L	4
18	M0911-51111		Bearing	51111	1
19	10246	1230-BC010	Bearing cover of the top		1
20	M1606001	M1606-1/2"	Spring Washer	1/2"	1
21	M1402008	M1402-1/2"*3"	Bolt	1/2"-12N*3"L	1
22	10189	11-BC018F	Arm		1
23	M1401-M6*25		Bolt	M6*25L	2
24	M1403-M8*12		Bolt	M8*12L	2
25	M1401-M6*25		Bolt	M6*25L	1
26	10027	8A-BC015	Fixed Flange		1
27	10193	11-BC025	Steel Band		1
28	M1401-M6*20		Bolt	M6*20L	2
29	10192	11-BC024	Fixed Flange		1
30	M1401-M6*30		Bolt	M6*30L	2
31	10032	8A-BC027A	Key		1
32	M1410-M6*10		Bolt	M6*10L	6
33	10875	11-BC046B	Compressing Cover		1
34	10187	11-BC013-1C	Compressing Cover		1
35	M0809001		Dust Seal	5mm	2
36	M1323019		Cup Oil	PT1/8"*90"	2
37	M0809002		Dust Seal	12mm	1
38	10187	11-BC013-1C	Compressing Cover		2
39	M1410-M6*10		Bolt	M6*10L	6
40	10033	8A-BC028	Handle		1
41	10257	1230-BC029A	Arm Rack		1
42	M1401-M8*30		Bolt	M8*30L	4
43	E1701002	FS51441			1
44	10194	11-BC026	Acrylic Cover		1
45	M1425001		Bolt	3/16"*3/8"L	12

Unit No.3 Column mechanism

46	M1402009	M1402-1/2"*4-1/2"	Bolt	1/2"*4-1/2"L	2
47	10040	8A-BC038	Washer		2
48	10040	8A-BC038	Washer		2
49	M1501003	M1501-1/2"	Nut	1/2"	2
50	10186	11-BC011B	Handle		1
51	M1401-M8*16		Bolt	M8*16L	1
52	M0911-51105		Bearing	51105	1
53	M1401-M8*30		Bolt	M8*30L	4
54	10188	11-BC015	Fixed Clamping Block		2
55	10195	11-BC030	Nut		1
56	M0911-51105		Bearing	51105	1
57	10196	11-BC031	Eccentric Shaft		1
58	M1401-M6*40		Bolt	M6*40L	1
59	10199	11-BC038A	Ring	Clamp	1
60	M1401-M10*25		Bolt	M10*25L	1
61	10190	11-BC019		1	
62	M1401-M8*16		Bolt	M8*16L	1
63	10191	11-BC020	Bushing		1
64	M0911-51105		Bearing	51105	1
65	10036	8A-BC033	Nut		1
66	M1401-M6*55		Bolt	M6*55L	1
67	M1401-M8*40		Bolt	M8*40L	2
68	10236		Electric Control Box		1

Unit No. 4 Gear box



Unit No.4 Gear box

Index No.	Part No.	Drawing No.	Parts Name	Type	Q'ty
1	10204	11-GB001D	Gear Box		1
2	10205	11-GB002	Gear Box	Cover	1
3	10359	1230-GB117	Gasket		1
4	M1321002	M1321-PT1/8"	Grease Nipple	PT1/8"	1
5	M1401-M6*14		Bolt	M6*14L	2
6	10119	8A-GB111A	Spindle Cover		1
7	M1401-M8*65		Bolt	M8*65L	8
8	M1303-7*75		Taper Pin	#7*75L	2
9	M0604005	M0604-PT1/2"	Plug	PT1/2"	1
10	M1210033		3/1.5HP Motor	4/8P380V50Hz	1
11	M1402-M10*30		Bolt	M10*30L	4
12	10046	8A-GB004C	Motor Gear		1
13	M1308-6*40		Key	6mm*40L	1
14	10047	8A-GB005			1
15	M1401-M6*20		Bolt	M6*20L	1
16	10318	1230-GB022A	Feed Speed Selector		1
17	M1305-5*40		Spring Pin	5mm*40L	1
18	M1403-M10*10		Bolt	M10*10L	2
19	10681	1230-GB118	Spring		2
20	M1323025		Ball Steel	5/16"	2
21	10322	1230-GB031A	Three Step Speed Change Lever Adapter		1
22	M0702035		Oil Seal	TC30*45*8	1
23	10320	1230-GB028B	Speed Change Rocket Arm		1
24	10068	8A-GB041B	Gear Shifter lever		1
25	10066	8A-GB039	Gear Shifter lever		1
26	10065	8A-GB038	Speed Change Rocker Arm		1
27	M1403-M8*12		Bolt	M8*12L	4
28	10325	1230-GB037	Feed Speed Selector		1
29	M1305-5*60		Spring Pin	5mm*60L	1
30	M1323025		Ball Steel	5/16"	2
31	10678	8A-GB122	Spring		2
32	M1403-M10*10		Bolt	M10*10L	2
33	10206	11-GB039	Spindle Change Shaft		1
34	M0801-P12		"O"Ring	P12	2
35	10323	1230-GB032A	Three Step Speed Change Lever		1
36	M1317008			3/8"	2
37	10324	1230-GB032-1C	Three Step Speed Change Lever		1
38	10208	11-GB052	Bushing		1
39	M0901-6002ZZ		Bearing	6002ZZ	1
40	10078	8A-GB055-1	Gear		1
41	M1403-M6*8		Bolt	M6*8L	1
42	M1328-5*12		Key	5mm*12L	1
43	10321	1230-GB030B	Gear Shaft		1

Unit No.4 Gear box

Index No.	Part No.	Drawing No.	Parts Name	Type	Q'ty
44	M1403-M10*6		Bolt	M10*6L	6
45	10677	8A-GB121	Spring		6
46	M1323025		Ball Steel	5/16"	6
47	M1305-5*40		Spring Pin	5mm*40L	1
48	10077	8A-GB055	Gear		1
49	10076 & 100327		Worm Gera & Worm Gear Sleeve		1
50	M0901-6002ZZ		Bearing	6002ZZ	1
51	10207	11-GB047	Bushing		1
52	10208	11-GB052	Bushing		1
53	M0901-6002ZZ		Bearing	6002ZZ	1
54	10328	1230-GB048	Gear Shaft		1
55	M1328-5*65		Key	5mm*65L	1
56	10081	8A-GB059	Gear		1
57	M1312-S22		Retainer	S22	1
58	M0901-6002ZZ		Bearing	6002ZZ	1
59	10207	11-GB047	Bushing		1
60	M1401-M6*12		Bolt	M6*12L	1
61	10047	8A-GB005			1
62	M1317004			3/8"	1
63	10085	8A-GB068	Manual Feed Hand wheel		1
64	M1401-M6*14		Bolt	M6*14L	4
65	10084	8A-GB067A	Bushing		1
66	M0901-6204ZZ		Bearing	6204ZZ	1
67	M1328-6*12		Key	6mm*12L	1
68	10209	11-GB054B	Sprocket		1
69	M1204005		Chain	25H*70	3
70	M0901-6002ZZ		Bearing	6002ZZ	1
71	M1323019		Cup Oil	PT1/8"*90°	1
72	10052	8A-GB011	Lock Nut		1
73	M1607-AW04		Crown Washer	AW04	1
74	M0901-6004ZZ		Bearing	6004ZZ	1
75	10050	8A-GB009C	Gear		1
76	10049	8A-GB007	Gear		1
77	M1328-7*20		Key	7mm*20L	1
78	10048	8A-GB006B	Gear Shaft		1
79	M1328-7*12		Key	7mm*12L	1
80	10051	8A-GB010	Gear		1
81	M1312-S22		Retainer	S22	1
82	M0901-6004ZZ		Bearing	6004ZZ	1
83	M1312-S35		Retainer	S35	1
84	10056	8A-GB013-3A	Gear		1
85	10054	8A-GB013-1A	Gear		1
86	10055	8A-GB013-2C	Gear		1
87	10057	8A-GB015	Gear		1
88	M0901-6004ZZ		Bearing	6004ZZ	1
89	M1607-AW04		Crown Washer	AW04	1
90	10052	8A-GB011	Lock Nut		1

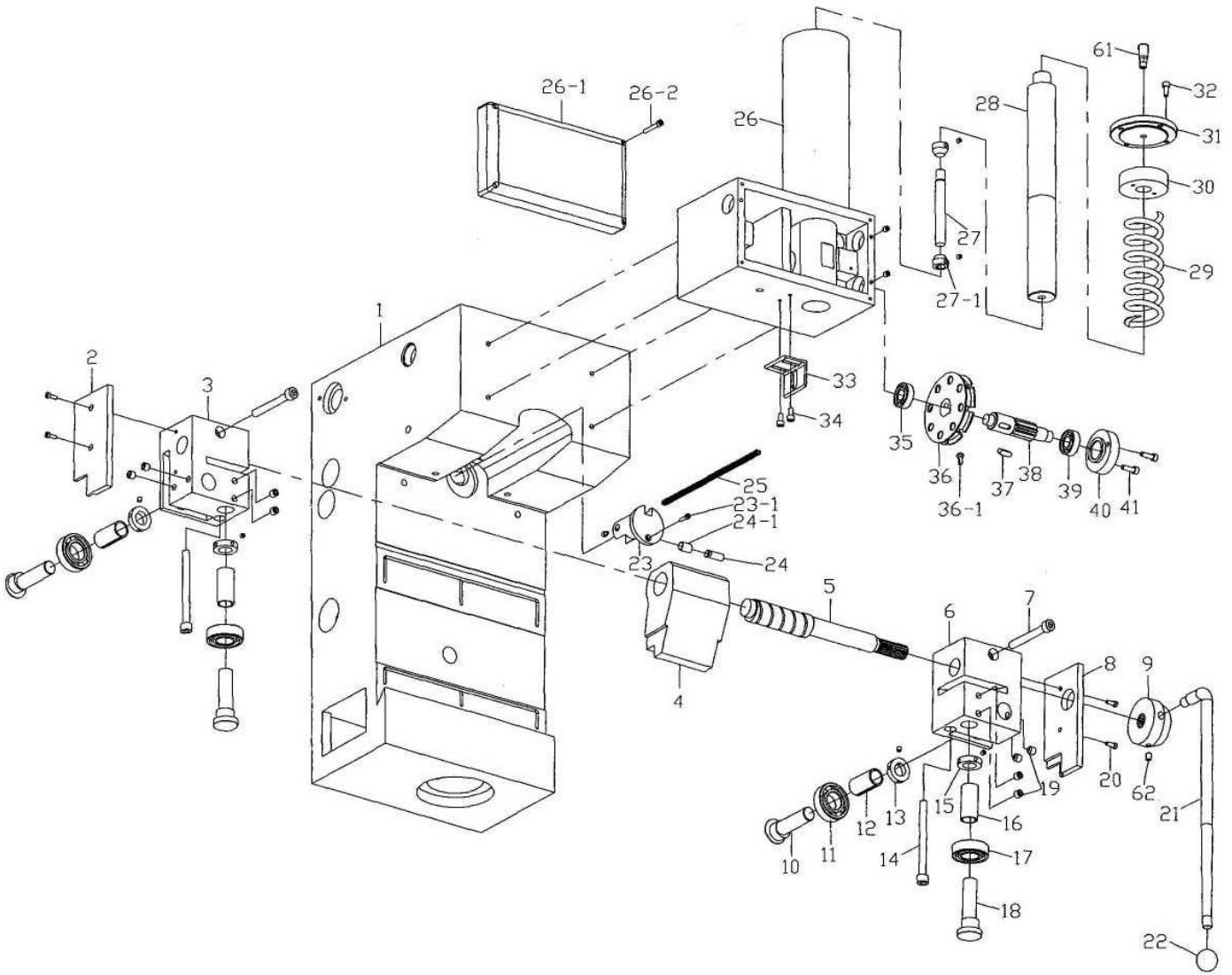
Unit No.4 Gear box

Index No.	Part No.	Drawing No.	Parts Name	Type	Q'ty
91	M0901-6004ZZ		Bearing	6004ZZ	1
92	10053	8A-GB012C	Gear Shaft		1
93	M1328-6*85		Key	6mm*85L	2
94	M1328-6*10		Key	6mm*10L	2
95	M0901-6007ZZ		Bearing	6007ZZ	1
96	10061	8A-GB021	Washer		1
97	M1312-R62		Retainer	R62	1
98	M0901-6007ZZ		Bearing	6007ZZ	1
99	10060	8A-GB019B	Clutch Upper Gear		1
100	10059	8A-GB018B	Clutch Lower Gear		1
101	M0901-6007UU		Bearing	6007UU	1
102	M0801-P30		"O"Ring	P30	1
103	M0702038		Oil Seal	TC42*58*8	1
104	10058	8A-GB017	Spindle Shaft		1
105	10062	8A-GB025D	Worm		1
106	M1403-M6*6		Bolt	M6*6L	1
107	10122	8A-GB115	Fixed Lock		1
108	M1401-M6*12		Bolt	M6*12L	1
109	10123	8A-GB116	Washer		1
110	10211	11-GB060	Copper Key		1
111	M1317008			3/8"	2
112	10344	1230-GB078A	Feed Handle		2
113	M1305-5*50		Spring Pin	5mm*50L	2
114	10103	8A-GB091	Nut		1
115	10342	1230-GB076D	Clutch Housing		1
116	10680	8A-GB124	Spring		2
117	M1323026		Ball Steel	3/8"	2
118	10343	1230-GB077	Cotter Pin		1
119	10358	1230-GB116	Spring		1
120	10098	8A-GB086-1C	Dial		1
121	10340	1230-GB073B	Clutch Upper Gear		1
122	10335	1230-GB066	Key		1
123	10341	1230-GB074A	Dial Seat		1
123-1	M1301-8*20		Pin	8mm*20L	1
124	M1312-S30		Retainer	S30	1
125	10339	1230-GB072	Clutch		1
126	10338	1230-GB071	Worm Gear		1
127	M1401-M6*14		Bolt	M6*14L	4
128	M0901-6006ZZ		Bearing	6006ZZ	1
129	10213	11-GB069	Gear Shaft		1
130	M1312-S24		Retainer	S24	1
131	10106	8A-GB094	Hand Wheel Lock Nut		1
132	10345	1230-GB082A	Hand Wheel		1
133	M1328-5*12		Key	5mm*12L	1

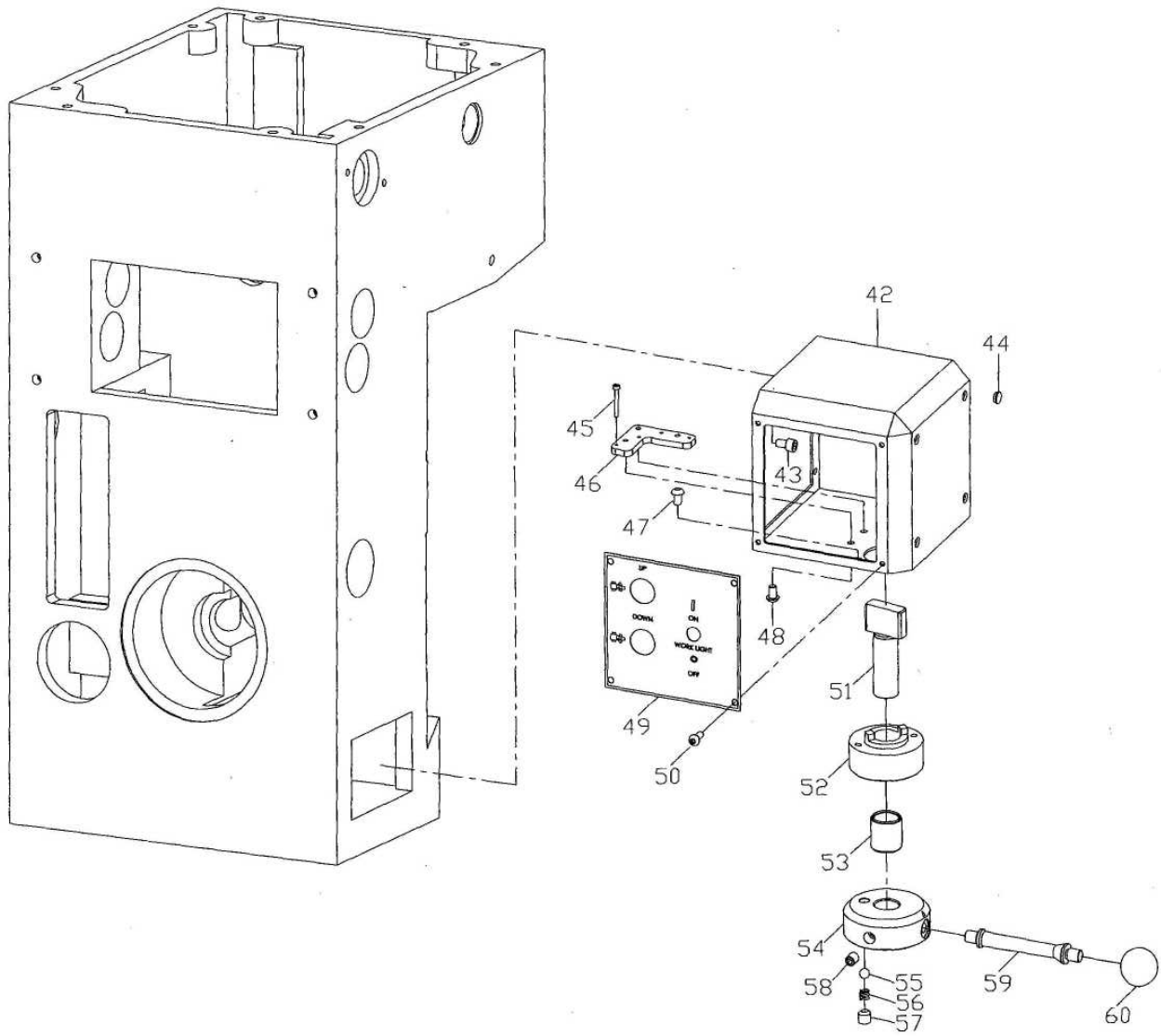
Unit No.4 Gear box

Index No.	Part No.	Drawing No.	Parts Name	Type	Q'ty
134	10214	11-GB081B	Pinion Shaft		1
135	10215	11-GB084	Gear		1
136	10108	8A-GB096A	Eccentric Bushing		1
137	M1401-M10*30		Bolt	M10*30L	1
138	10212	11-GB067B	Spindle		1
139	10088	8A-GB072A	Nut		1
140	M0905-RNA4911		Bearing	RNA4911	1
141	M0911-51111		Bearing	51111	1
142	M0909-32006		Bearing	32006	1
143	10090	8A-GB078	Lock Nut		1
144	10210	11-GB059E	Quill		1
144-1	10063	8A-GB035A	Set Screw		2
145	M1321002	M1321-PT1/8"	Grease Nipple	PT1/8"	1
146	M1403-M6*8		Bolt	M6*8L	1
147	M1317005			5/16"	1
148	10072	8A-GB047	Three Step Speed Change Lever		1
149	10111	8A-GB099	Nut		1
150	10110	8A-GB098	Lock Screw		1
151	M1401-M5*16		Bolt	M5*16L	1
152	10109	8A-GB097	Set Block		1
153	M1403-M10*16		Bolt	M10*16L	1
154	10117	8A-GB108B	Feed Speed Selector		1
155	10679	8A-GB123	Spring		1
156	M1323025		Ball Steel	5/16"	1
157	M1401-M10*16		Bolt	M10*16L	4
158	10346	1230-GB093	Gear Box Front Cover		1
159	10113	8A-GB104	Feed Speed Change Gear		1
160	10114	8A-GB105C	Arm Rack		1
161	10347	1230-GB096	Gear Shifter lever		1
162	10116	8A-GB107	Plate		1
163	M1414006	M1414-3/16"*3/8"	Bolt	3/16"*3/8"L	4
164	10127	8A-GB120	Copper Ball		1
165	M1403-M6*10		Bolt	M6*10L	1
166	M1323021		Gage Fuel Level		1
167	10319	1230-GB024	Rod		1

Unit No. 5 Rear gear box



Unit No. 5 Rear gear box



Unit No. 5 Rear gear box

Index No.	Part No.	Drawing No.	Parts Name	Type	Q'ty
1	10204	11-GB001D	Gear Box		1
2	10219	11-GS008	Aluminium Plate		1
3	10217	11-GS003-1B	Bearing bracket		1
4	10218	11-GS007B	Cam Shaft Sleeve		1
5	10220	11-GS010D	Clamping Cam Shaft		1
6	10216	11-GS003B	Bearing bracket		1
7	M1401-M10*85		Bolt	M10*85L	2
8	10366	1230-GS009	Aluminium Plate		1
9	10149	8A-GS038	Feed Speed Selector		1
10	10365	1230-GS008	Eccentric Shaft		2
11	M0901-6205ZZ		Bearing	6205ZZ	2
12	10362	1230-GS005	Rod		2
13	10583	16-RGB014	Adjusting Washer		2
14	M1401-M10*110		Bolt	M10*110L	2
15	10583	16-RGB014	Adjusting Washer		
16	10362	1230-GS005	Rod		2
17	M0901-6205ZZ		Bearing	6205ZZ	2
18	10368	1230-GS011	Eccentric Shaft		2
19	M1403-M10*10		Bolt	M10*10L	8
20	M1414001	M1414-3/16"*1/2"	Bolt	3/16"*1/2"L	4
21	10150	8A-GS039	Clamping Lever		1
22	M1317007			1/2" ϕ 38	1
23	10222	11-GS016E	Eccentric Shaft		1
23-1	M1401-M4*16		Bolt	M4*16L	1
24	10221	11-GS014A	Shaft		1
24-1	M0924-IRT1015-1		Bearing Inner Ring	IRT1015-1	1
25	M1204003		Chain	25H*94	1
26	10223	11-GS018	Spring Housing		1
26-1	10234	11-GS033	Aluminium Plate		1
26-2	M1401-M5*35		Bolt	M5*35L	4
27	10229	11-GS026	Adjustable Shaft Of Switch		1
27-1	10230	11-GS026-1	Adjustable Shaft Of Bushing		2
28	10228	11-GS025	Spring Shaft		1
29	10231	11-GS027	Spring		1
30	10227	11-GS024	Nut		1
31	10232	11-GS029	Cover		1
32	M1401-M6*14		Bolt	M6*14L	4
33	10233	11-GS031	Mounting Plate		1
34	M1401-M6*12		Bolt	M6*12L	2
35	M0901-6202ZZ		Bearing	6202ZZ	1
36	10224	11-GS020A	Pulley		1
36-1	10154	8A-GS049	Adapter of Chain		1
37	M1328-7*20		Key	7mm*20L	1
38	10225	11-GS021			1
39	M0901-6202ZZ		Bearing	6202ZZ	1
40	10226	11-GS023	Bearing Cover		1

Unit No. 5 Rear gear box

41	M1401-M6*20		Bolt	M6*20L	2
42	10857	11-GB086			1
43	M1401-M6*10		Bolt	M6*10L	4
44	M0609-HP08		Hole Plug	HP-8	4
45	M1401-M3*25		Bolt	M3*25L	4
46	10865	1230-GB128	Mounting Plate		1
47	M1410-M6*10		Bolt	M6*10L	2
48	M1410-M6*10		Bolt	M6*10L	3
49	10858	11-GB126A	Switch Plate		1
50	M1410-M5*12		Bolt	M5*12L	4
51	10859	1230-GB121			1
52	10861	1230-GB123A	Fixed Hange		1
53	M0920-LFB2025		Self-Lubricating Bearing	LFB2025	1
54	10864	1230-GB127A			1
55	M1323025		Ball Steel	5/16"	1
56	M2001019		Wire Spring		1
57	M1403-M10*10		Bolt	M10*10L	1
58	M1403-M8*10		Bolt	M8*10L	1
59	10860	1230-GB122			1
60	M1317008				1
61	M1323018		Cup Oil	PT1/8"3/4"	1
62	M1403-M8*10		Bolt	M8*10L	1