

J E T

JRD-720R

Radial Drill

10000381T...380/50/3

Список деталей

WMH Tool Group AG

Bahnstrasse 24,

CH – 8603 Schwerzenbach

www.wmhtoolgroup.ch

info@wmhtoolgroup.ch

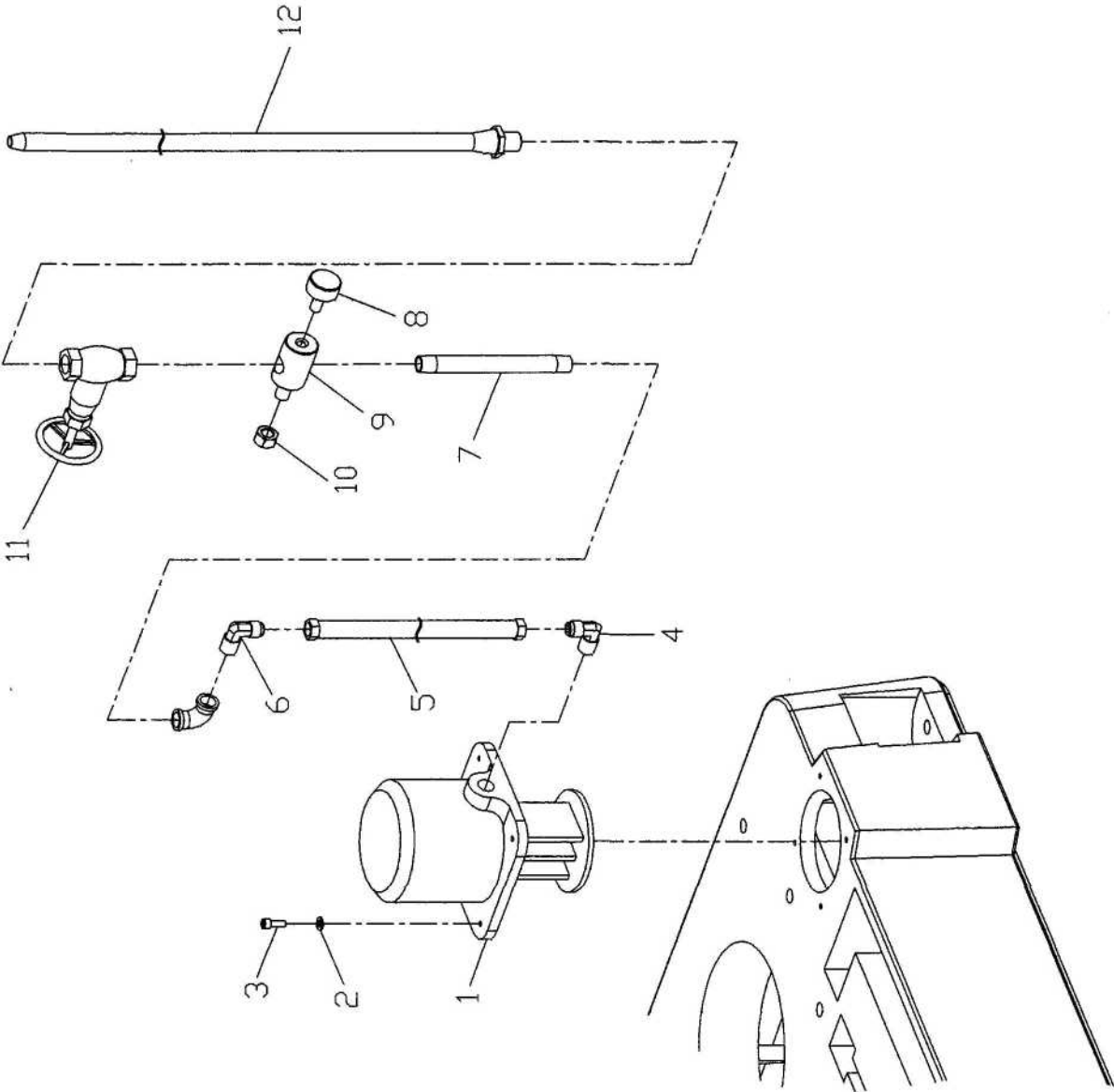
Tel +41 (0)44 806 47 48

Fax +41 (0) 44 806 47 58

P-10000381T...04/06



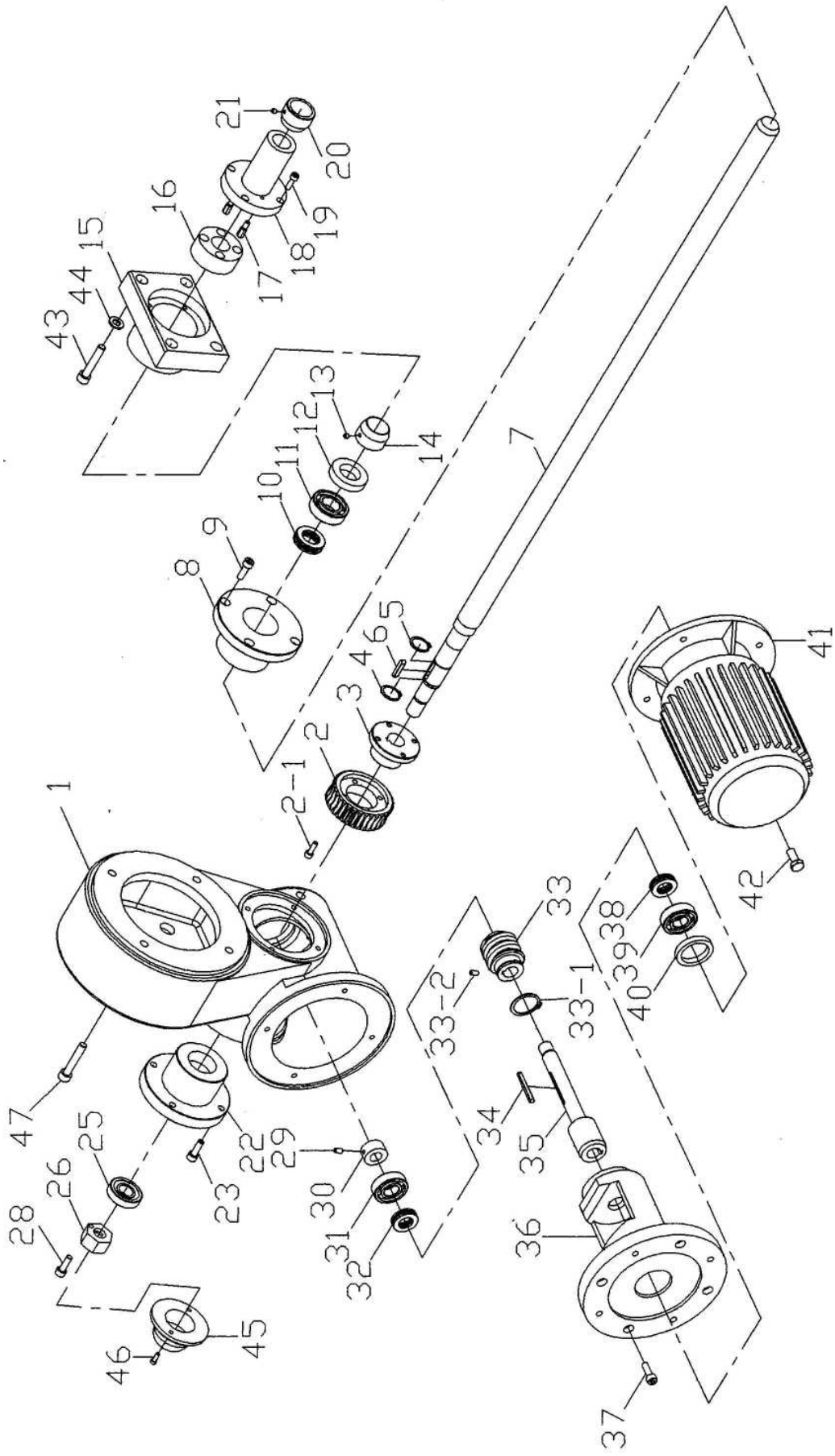
Unit No. 1 Cooling device



Unit No. 1 Cooling device

Index No.	Part No.	Drawing No.	Parts Name	Type	Q'ty
1	M1210049		Deluged Motor	130L 220/380V	1
2	M1602-M6		Washer	M6	4
3	M1401-M6*16		Bolt	M6*16L	4
4	M0602001		90° Elbow	PT3/8"*PS3/8"*90°	1
5	M0506003	M0506-3/8"*95"	Net Plastic Pipe	PT3/8"*95"L	1
6	M0602001		90° Elbow	PT3/8"*PS3/8"*90°	1
7	M0510003	M0510-3/8"*6"		3/8"*6"L	1
8	M1317006			M10*25L	1
9	10014	8A-OS005	Tube Sleeve		1
10	M1501003	M1501-1/2"	Nut	1/2"	1
11	M0608001	M0608-3/8"	Water Switch	3/8"	1
12	M0512001		Spraying Pipe	3/8"*450L	1

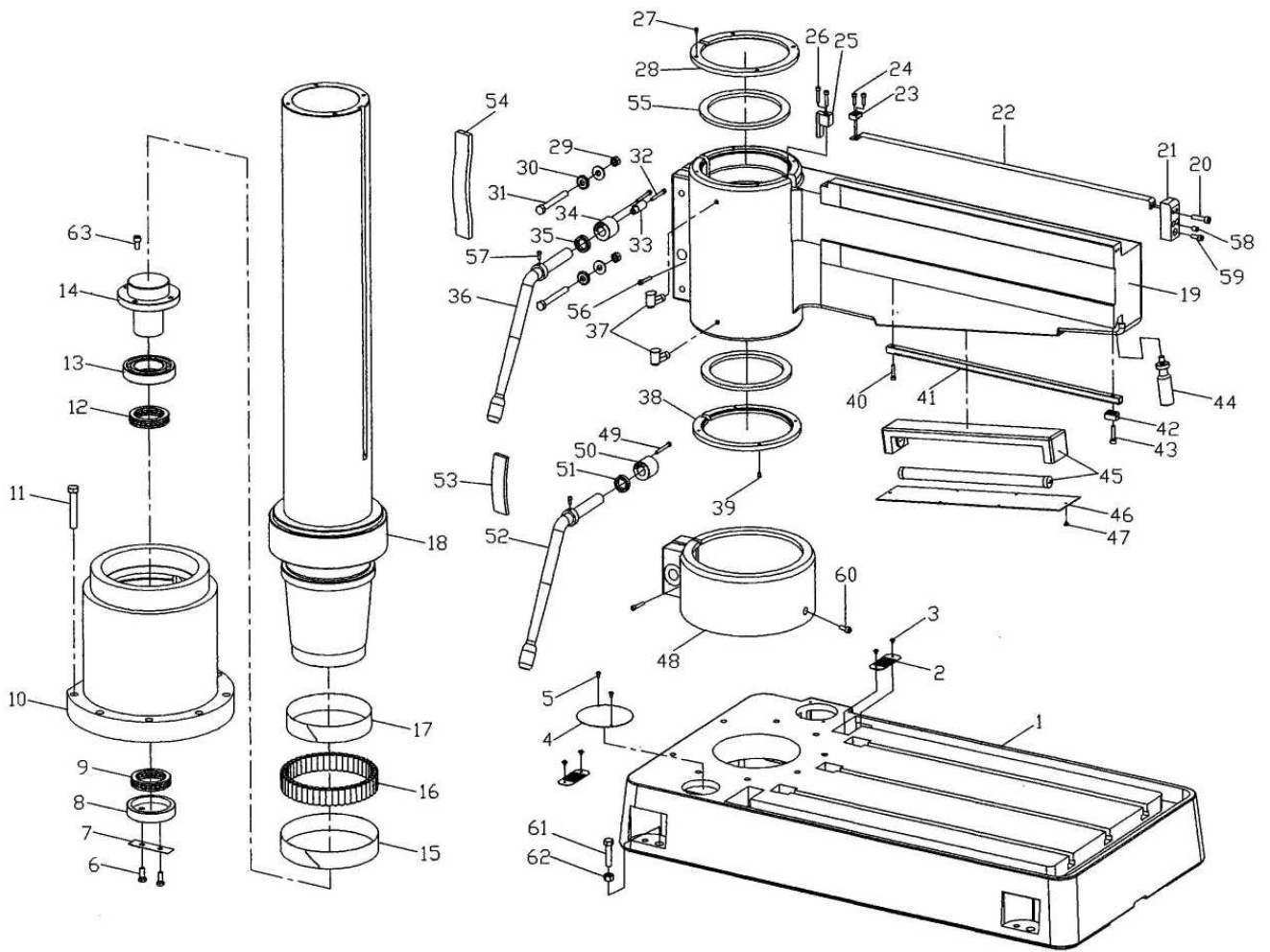
Unit No. 2 Lift mechanism



Unit No. 2 Lift mechanism

Index No.	Part No.	Drawing No.	Parts Name	Type	Q'ty
1	10162	8A-UD001B	Top Cap		1
2	10163	8A-UD002	Worm Wheel		1
2-1	M1401-M6*20		Bolt	M6*20L	4
3	10173	8A-UD023	Worm Bushing		1
4	M1312-S24		Retainer	S24	1
5	M1312-S24		Retainer	S24	1
6	M1328-6*30		Key	6mm*30L	1
7	10164	8A-UD004C	Gear		1
8	10165	8A-UD005B	Bearing Bracket		1
9	M1401-M8*25		Bolt	M8*25L	4
10	MO911-51105		Bearing	51105	1
11	MO901-6205ZZ		Bearing	6205ZZ	1
12	MO702034		Oil Seal	TC30*52*11	1
13	M1403-M6*6		Bolt	M6*6L	2
14	10172	8A-UD022	Bushing		1
15	10176	8A-UD026A	Nut Cover		1
16	10175	8A-UD025A	Safety Nut		1
17	10177	8A-UD028	Bolt		2
18	10174	8A-UD024A	Brass Nut		1
19	M1401-M6*20		Bolt	M6*20L	4
20	10172	8A-UD022	Bushing		1
21	M1403-M6*6		Bolt	M6*6L	2
22	10166	8A-UD006D	Bearing Bracket		1
23	M1401-M8*25		Bolt	M8*25L	4
25	MO909-30204		Bearing	30204	1
26	10167		Nut		1
28	M1401-M6*16		Bolt	M6*16L	1
29	M1403-M6*12		bolt	M6*12L	1
30	10171	8A-UD021	Nut		1
31	MO901-6204ZZ		Bearing	6204ZZ	1
32	MO911-51104		Bearing	51104	1
33	10168	8A-UD013	Worm Shaft		1
33-1	M1312-S36		Retainer	S36	1
33-2	M1403-M6*8		Bolt	M6*8L	1
34	M1328-5*55		Key	5mm*55L	1
35	10170	8A-UD019A	Pinion shaft		1
36	10169	8A-UD014B	Gear Bracket		1
37	M1401-M8*25		Bolt	M8*25L	4
38	MO911-51104		Bearing	51104	1
39	MO901-6204ZZ		Bearing	6204ZZ	1
40	MO702043		Oil Seal	TC38*50*8	1
41	M1210006		1HP Motor	4P220/380V50/ 60Hz	1
42	M1402-M10*25		Bolt	M10*25L	4
43	M1401-M10*55		Bolt	M10*55L	4
44	M1602-M10		Washer	M10	4
45	10178	8A-UD030	Cover		1
46	M1414001	M1414-3/16"*1/2"	Bolt	3/16"*1/2"L	2
47	M1401-M10*30		Bolt	M10*30L	4

Unit No. 3 Column mechanism



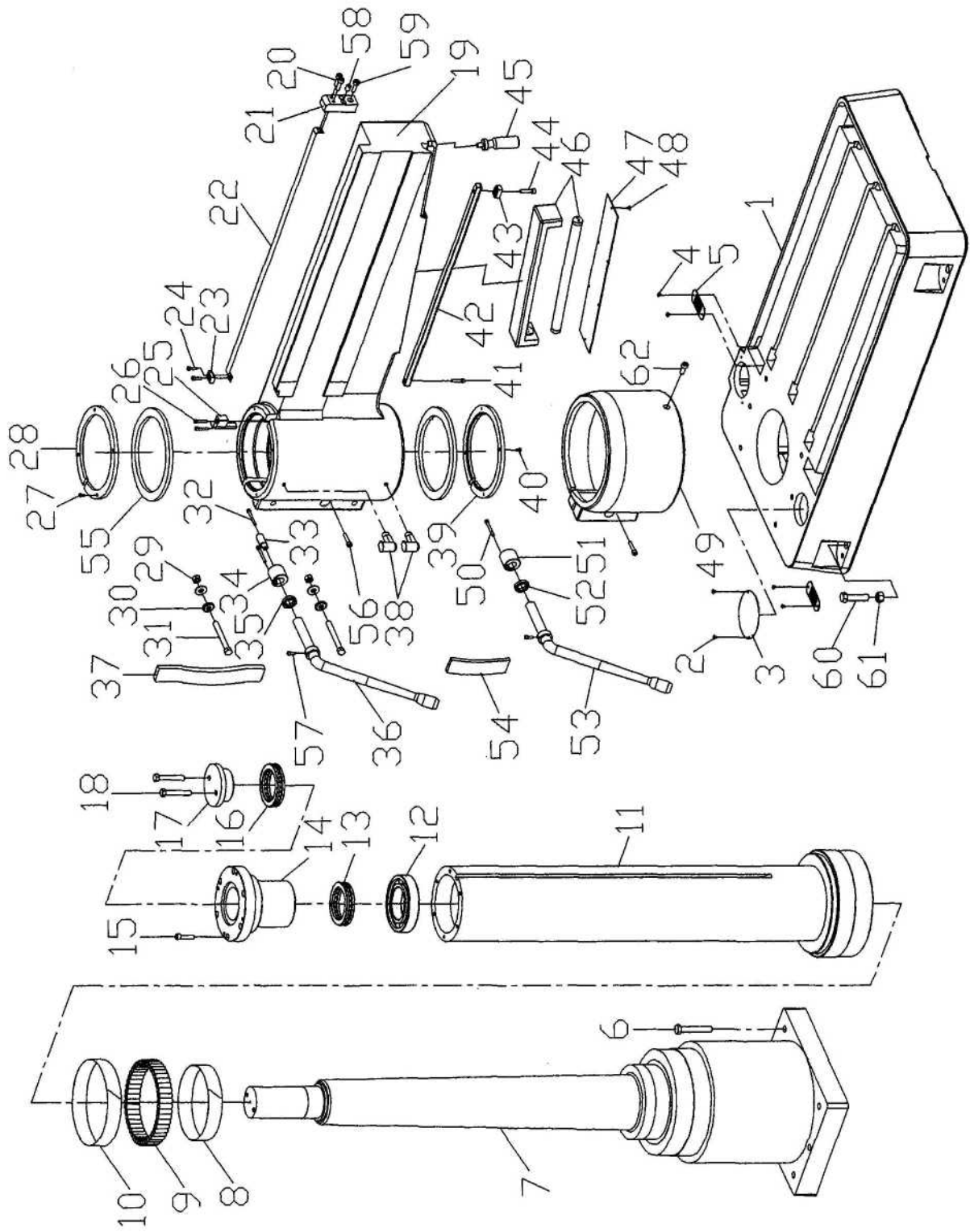
Unit No.3 Column mechanism

Index No.	Part No.	Drawing No.	Parts Name	Type	Q'ty
1	10001	7A-BC001	Base		1
2	10039	8A-BC037A	Filter Screen		2
3	M1414006	M1414-3/16"*3/8"	Bolt	3/16"*3/8"L	4
4	10037	8A-BC035	Cover		1
5	M1414006	M1414-3/16"*3/8"	Bolt	3/16"*3/8"L	2
6	M1402-M10*25		Bolt	M10*25L	2
7	10012	7A-BC040	Washer		1
8	10011	7A-BC039	Bearing Cover		1
9	M0911-51114		Bearing	51114	1
10	10002	7A-BC002	Column Support Collar		1
11	M1402002		Bolt	M16*90L	8
12	M0911-51114		Bearing	51114	1
13	M0901-6214ZZ		Bearing	6214ZZ	1
14	10007	7A-BC025	Bearing Cover		1
15	10009	7A-BC031	Steel Band		1
16	10019	8A-BC005	Needle		45
17	10010	7A-BC033	Steel Band		1
18	10003	7A-BC005-2B	Column		1
19	10004	7A-BC007D	Arm		1
20	M1401-M6*25		Bolt	M6*25L	2
21	10027	8A-BC015	Fixed Range		1
22	10005	7A-BC018	Steel Band		1
23	1002	8A-BC020	Fixed Range		1
24	M1401-M6*20		Bolt	M6*20L	2
25	10032	8A-BC027A	Key		1
26	M1401-M6*30		Bolt	M6*30L	2
27	M1414006	M1414-3/16"*3/8"	Bolt	3/16"*3/8"L	4
28	10028	8A-BC017	Aluminum Alloy Ring		1
29	M1501003	M1501-1/2"	Nut	1/2"	2
30	10040	8A-BC038	Washer		4
31	M1402009	M1402-1/2"*4-1/2"	Bolt	1/2"*4-1/2"L	2
32	M1401-M6*65		Bolt	M6*65L	1
33	10038	8A-BC036	Eccentric Shaft		1

Unit No.3 Column mechanism

Index No.	Part No.	Drawing No.	Parts Name	Type	Q'ty
34	10036	8A-BC033	Nut		1
35	10041	8A-BC039	Washer		1
36	10035	8A-BC032	Locking Lever		1
37	M1323019		Cup Oil	PT1/8"*90°	2
38	10028	8A-BC017	Aluminum Alloy Ring		1
39	M1414006	M1414-3/16"*3/8"	Bolt	3/16"*3/8"L	4
40	M1401-M8*35		Bolt	M8*35L	1
41	10006	7A-BC021	Arm Rack		1
42	10024	8A-BC012-1	Stop Rack		1
43	M1401-M8*35		Bolt	M8*35L	1
44	10033	8A-BC028	Handle		1
45	E1701002			FS51441	1
46	10034	8A-BC031	Acrylic Cover		1
47	M1425001		Bolt	3/16"*3/8"L	9
48	10008	7A-BC029	Ring Clamp		1
49	M1401-M6*55		Bolt	M6*55L	2
50	10036	8A-BC033	Nut		1
51	10041	8A-BC039	Washer		1
52	10035	8A-BC032	Locking Lever		1
53	M0809001		Dust Seal	5mm	1
54	M0809001		Dust Seal	5mm	1
55	M0809001		Dust Seal	5mm	2
56	M1401-M8*40		Bolt	M8*40L	2
57	M1401-M8*16		Bolt	M8*16L	2
58	M1403-M8*12		Bolt	M8*12L	2
59	M1401-M6*20		Bolt	M6*20L	1
60	M1401-M10*25		Bolt	M10*25L	1
61	M1402011	M1402-5/8"*2-1/2"	Bolt	5/8"*2-1/2"L	4
62	M1501008		Nut	5/8"-11UNC	4
63	M1401-M10*20		Bolt	M10*20L	4

Unit No. 4 Column mechanism



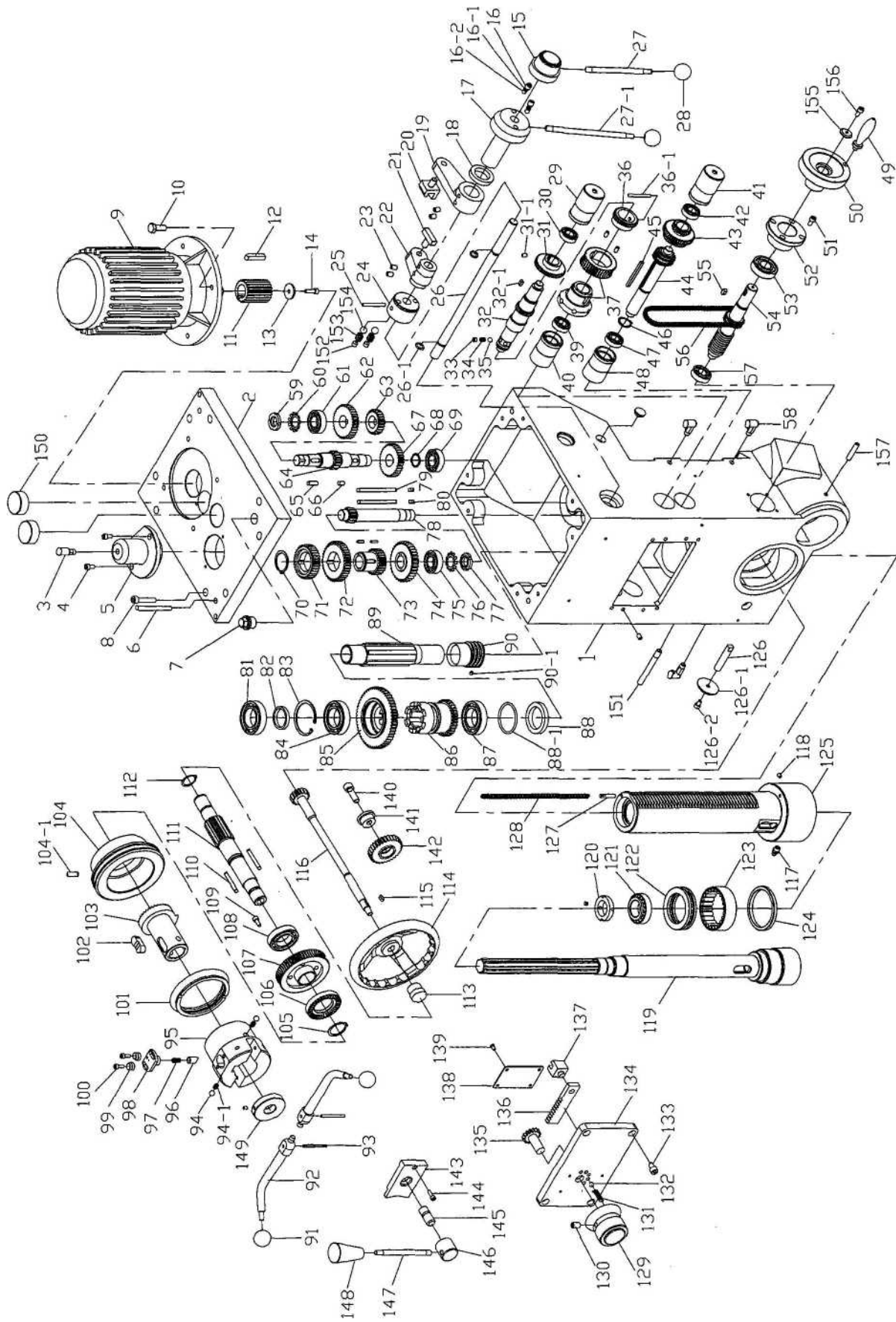
Unit No.4 Column mechanism

Index No.	Part No.	Drawing No.	Parts Name	Type	Q'ty
1	10015	8A-BC001	Base		1
2	M1414002	M1414-3/16"*1/4"	Bolt	3/16"*1/4"L	2
3	10037	8A-BC035	Cover		1
4	M1414002	M1414-3/16"*1/4"	Bolt	3/16"*1/4"L	4
5.	10039	8A-BC037A	Filter Screen		2
6	M1402002		Bolt	M16*90L	6
7	10016	8A-BC002B	Internal Column		1
8	10017	8A-BC003	Steel Band		1
9	10019	8A-BC005	Needle		47
10	10018	8A-BC004	Steel Band		1
11	10020	8A-BC008B	Steel Band		1
12	M0911-51118		Bearing	51118	1
13	M0901-6218		Bearing	6218	1
14	10021	8A-BC010B	Needle		1
15	M1401-M10*40		Bolt	M10*40L	6
16	M0911-51118		Bearing	51118	1
17	10022	8A-BC011A	Bearing Cover of the Top		1
18	M1402008	M1402-1/2"*3"	Bolt	1/2"-12N*3"L	2
19	10030	8A-BC021D	Arm		1
20	M1401-M6*20		Bolt	M6*20L	2
21	10027	8A-BC015	Fixed Flange		1
22	10026	8A-BC014	Steel Band		1
23	10029	8A-BC020	Fixed Flange		1
24	M1401-M6*20		Bolt	M6*20L	2
25	10032	8A-BC027A	Key		1
26	M1401-M6*30		Bolt	M6*30L	2
27	M1414006	M1414-3/16"*3/8"	Bolt	3/16"*3/8"L	4
28	10028	8A-BC017	Aluminum Alloy Ring		1
29	M1501003	M1501-1/2"	Nut	1/2"	2
30	10040	8A-BC038	Washer		4
31	M1402009	M1402-1/2"*4-1/2"	Bolt	1/2"*4-1/2"L	2

Unit No.4 Column mechanism

Index No.	Part No.	Drawing No.	Parts Name	Type	Q'ty
32	M1401-M6*65		Bolt	M6*65L	1
33	10038	8A-BC036	Eccentric Shaft		1
34	10036	8A-BC033	Nut		1
35	10041	8A-BC039	Washer		1
36	10035	8A-BC032	Locking Lever		1
37	M0809001		Dust Seal	5mm	2
38	M1323019		Cup Oil	PT1/8"*90°	2
39	10028	8A-BC017	Aluminum Alloy Ring		1
40	M1414006	M1414-3/16"*3/8"	Bolt	3/16"*3/8"L	4
41	M1401-M6*25		Bolt	M6*25L	1
42	10023	8A-BC012	Arm Rack		1
43	10024	8A-BC012-1	Stop Rack		1
44	M1401-M8*35		Bolt	M8*35L	1
45	10033	8A-BC028	Handle		1
46	E1701002			FS51441	1
47	10034	8A-BC031	Acrylic Cover		1
48	M1425001		Bolt	3/16"*3/8"L	9
49	10025	8A-BC013B	Ring Clamp		1
50	M1401-M6*55		Bolt	M6*55L	2
51	10036	8A-BC033	Nut		1
52	10041	8A-BC039	Washer		1
53	10035	8A-BC032	Locking Lever		1
54	M0809002		Dust Seal	12mm	1
55	M0809001		Dust Seal	5mm	2
56	M1401-M8*40	Bolt	M8*40L	2	
57	M1401-M8*16	Bolt	M8*16L	2	
58	M1403-M8*12		Bolt	M8*12L	2
59	M1401-M6*20		Bolt	M6*20L	1
60	M1402011	M1402-5/8"*2-1/2"	Bolt	5/8"*2-1/2"L	4
61	M1501008	M1501-5/8"	Nut	5/8"-11UNC	4
62	M1401-M10*25		Bolt	M10*25L	1

Unit No. 5 Gear box



Unit No. 5 Gear box

Index No.	Part No.	Drawing No.	Parts Name	Type	Q'ty
1	10044	8A-GB001G	Gear Box		1
2	10045	8A-GB002	Gear Box Cover		1
3	M1323018		Cup Oil	PT1/8" * 3/4"	1
4	M1401-M6*12		Bolt	M6*12L	2
5	10119	8A-GB111A	Spindle Cover		1
6	M1303-7*75		Taper Pin	#7*75L	2
7	M0604005	M0604-PT1/2"	Plug	PT1/2"	1
8	M1401-M8*40		Bolt	M8*40L	8
9	M1210020		2HP Motor	4P 220/380V 50/60Hz	1
10	M1402-M10*25		Bolt	M10*25L	4
11	10046	8A-GB004C	Motor Gear		1
12	M1308-8*40		Key	8mm*40L	1
13	10047	8A-GB005			1
14	M1401-M6*20		Bolt	M6*20L	1
15	10071	8A-GB046	Feed Speed Selector		1
16	M1403-M10*10		Bolt	M10*10L	2
16-1	10678	8A-GB122	Spring		2
16-2	M1323025		Ball Steel	5/16"	2
17	10069	8A-GB043	Three Step Speed Change Lever Adapter		1
18	M0702035		Oil Seal	TC30*45*8	1
19	10067	8A-GB040B	Speed Change Rocker Arm		1
20	10068	8A-GB041B	Gear Shifter lever		1
21	10066	8A-GB039	Gear Shifter lever		1
22	10065	8A-GB038	Speed Change Rocker Arm		1
23	M1403-M8*12		Bolt	M8*12L	4
24	10073	8A-GB049A	Shaft End Cover		1
25	M1305-5*50		Spring Pin	5mm*50L	2
26	10064	8A-GB037B	Speed Change Shaft		1
26-1	M0801-P12		"O" Ring	P12	2
27	10072	8A-GB047	Three Step Speed Change Lever		1
27-1	10070	8A-GB044	Three Step Speed Change Lever		1
28	M1317009			5/16"	2
29	10079	8A-GB057B	Bushing		1
30	M0901-6002ZZ		Bearing	6002ZZ	1
31	10078	8A-GB055-1	Gear		1
31-1	M1403-M6*8	0	Bolt	M6*8L	1
32	10074	8A-GB051B	Gear Shaft		1
32-1	M1328-5*12	0	Key	5mm*12L	1
33	M1403-M10*8		Bolt	M10*8L	1
34	10677	8A-GB121	Spring		1
35	M1323025		Ball Steel	5/16"	1
36	10077	8A-GB055	Gear		1
36-1	M1305-5*40		Spring Pin	5mm*40L	1
37	10075 & 10076		Worm Gear Sleeve &Worm Gera		1
39	M0901-6002ZZ		Bearing	6002ZZ	1
40	10082	8A-GB062	Bushing		1
41	10079	8A-GB057B	Bushing		1
42	M0901-6002ZZ		Bearing	6002ZZ	1
43	10081	8A-GB059	Gear		1
44	10080	8A-GB058	Gear Shaft		1

Unit No. 5 Gear box

Index No.	Part No.	Drawing No.	Parts Name	Type	Q'ty
45	M1328-5*65		Key	5mm*65L	1
46	M1312-S22		Retainer	S22	1
47	M0901-6002ZZ		Bearing	6002ZZ	1
48	10082	8A-GB062	Bushing		1
49	M1317004		O	3/8"	1
50	10085	8A-GB068	Manual Feed Hand wheel		1
51	M1401-M6*12		Bolt	M6*12L	4
52	10084	8A-GB067A	Bushing		1
53	M0901-6204ZZ		Bearing	6204ZZ	1
54	10083	8A-GB064E	Sprocket		1
55	M1328-6*12		Key	6mm*12L	1
56	M1204005		Chain	25H*70H	2
57	M0901-6002ZZ	Bearing	6002ZZ	1	
58	M1323019		Cup Oil	PT1/8"*90°	3
59	10052	8A-GB011	Lock Nut		1
60	M1607-AW04		Crown Washer	AW04	1
61	M0901-6004ZZ		Bearing	6004ZZ	1
62	10050	8A-GB009C	Gear		1
63	10049	8A-GB007	Gear	1	
64	10048	8A-GB006B	Gear Shaft		1
65	M1328-7*20		Key	7mm*20L	1
66	M1328-7*12		Key	7mm*12L	1
67	10051	8A-GB010	Gear		1
68	M1312-S22		Retainer	S22	1
69	M0901-6004ZZ		Bearing	6004ZZ	1
70	M1312-S35		Retainer	S35	1
71	10056	8A-GB013-3A	Gear		1
72	10054	8A-GB013-1A	Gear		1
73	10055	8A-GB013-2C	Gear		1
74	10057	8A-GB015	Gear		1
75	M0901-6004ZZ		Bearing	6004ZZ	1
76	M1607-AW04		Crown Washer	AW041	1
77	10052	8A-GB011	Lock Nut		1
78	10053	8A-GB012C	Gear Shaft		1
79	M1328-6*85		Key	6mm*85L	2
80	M1328-6*12		Key	6mm*12L	2
81	M0901-6007ZZ		Bearing	6007ZZ	1
82	10061	8A-GB021	Washer		1
83	M1312-R62		Retainer	R62	1
84	M0901-6007ZZ		Bearing	6007ZZ	1
85	10060	8A-GB019B	Clutch Upper Gear		1
86	10059	8A-GB018B	Clutch Lower Gear		1
87	M0901-6007UU		Bearing	6007UU	1
88	M0702038		Oil Seal	TC42*58*8	1
88-1	M0801-P30		"O" Ring	P30	1
89	10058	8A-GB017	Spindle Shaft		1
90	10062	8A-GB025D	Worm		1
90-1	M1403-M6*6		Bolt	M6*6L	1
91	M1317009			5/16"	2
92	8A-GB089B		Feed Handle		2
93	M1305-5*50		Spring Pin	5mm*50L	2

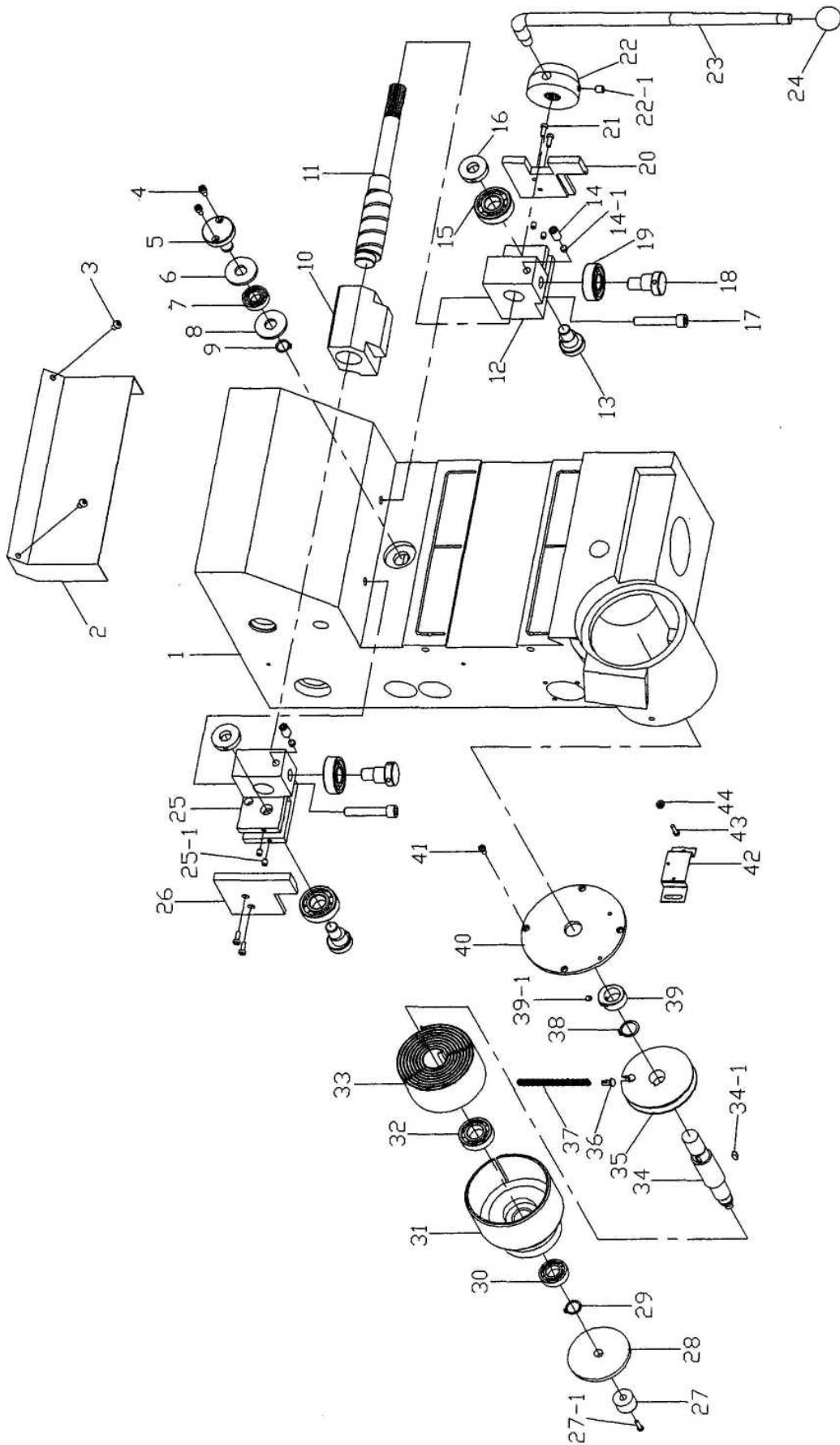
Unit No. 5 Gear box

Index No.	Part No.	Drawing No.	Parts Name	Type	Q'ty
94	M1323026		Ball Steel	3/8"	2
94-1	10680	8A-GB124	Spring		2
95	10099	8A-GB087F	Clutch Housing		1
96	10101	8A-GB088-1	Cotter Pin		1
97	10125	8A-GB118	Spring		1
98	10100	8A-GB088D	Stop Cotter		1
99	10118	8A-GB110	Screw Cover		2
100	M1401-M5*14		Bolt	M5*14L	2
101	10098	8A-GB086-1C	Dial		1
102	10095	8A-GB084	Key		1
103	10094	8A-GB083B	Clutch Upper Gear		1
104	10096		8A-GB085A	Dial Seat	1
104-1	M1301-8*20		Pin	8mm*20L	1
105	M1312-S30		Retainer	S30	1
106	10093	8A-GB082	Clutch		1
107	10092	8A-GB081	Worm Gear		1
108	M0901-6006ZZ		Bearing	6006ZZ	1
109	M1401-M6*14		Bolt	M6*14L	4
110	M1328-6*50		Key	6mm*50L	2
111	10091	8A-GB079D	Gear Shaft		1
112	M1312-S24		Retainer	S24	1
113	10106	8A-GB094	Hand Wheel Lock Nut		1
114	10105	8A-GB093B	Hand Wheel		1
115	M1328-5*12		Key	5mm*12L	1
116	10104	8A-GB092C	Pinion shaft		1
117	M1321002	M1321-PT1/8"	Grease Nipple	PT1/8"	1
118	M1403-M6*8		Bolt	M6*8L	1
119	10089	8A-GB077B	Spindle		1
120	10090	8A-GB078	Lock Nut		1
121	M0909-32006		Bearing	32006	1
122	M0911-51111		Bearing	51111	1
123	M0905-RNA4911		Bearing	RNA4911	1
124	10088	8A-GB072A	Nut		1
125	10086	8A-GB070E	Quill		1
126	10087	8A-GB071A	Copper Key		1
126-1	10123	8A-GB116	Washer		1
126-2	M1401-M6*12		Bolt	M6*12L	1
127	10063	8A-GB035A	Set Screw		1
128	M1204003	Chain	25H*94		1
129	10117	8A-GB108B	Feed Speed Selector		1
130	M1403-M10*16		Bolt	M10*16L	1
131	10679	8A-GB123	Spring		1
132	M1323025		Ball Steel	5/16"	1
133	M1401-M8*16		Bolt	M8*16L	4
134	10112	8A-GB103C	Gear Box Front Cover		1
135	10113	8A-GB104	Feed Speed Change Gear		1
136	10114	8A-GB105C	Arm Rack		1
137	10115	8A-GB106	Gear Shifter lever		1
138	10116	8A-GB107	Plate		1

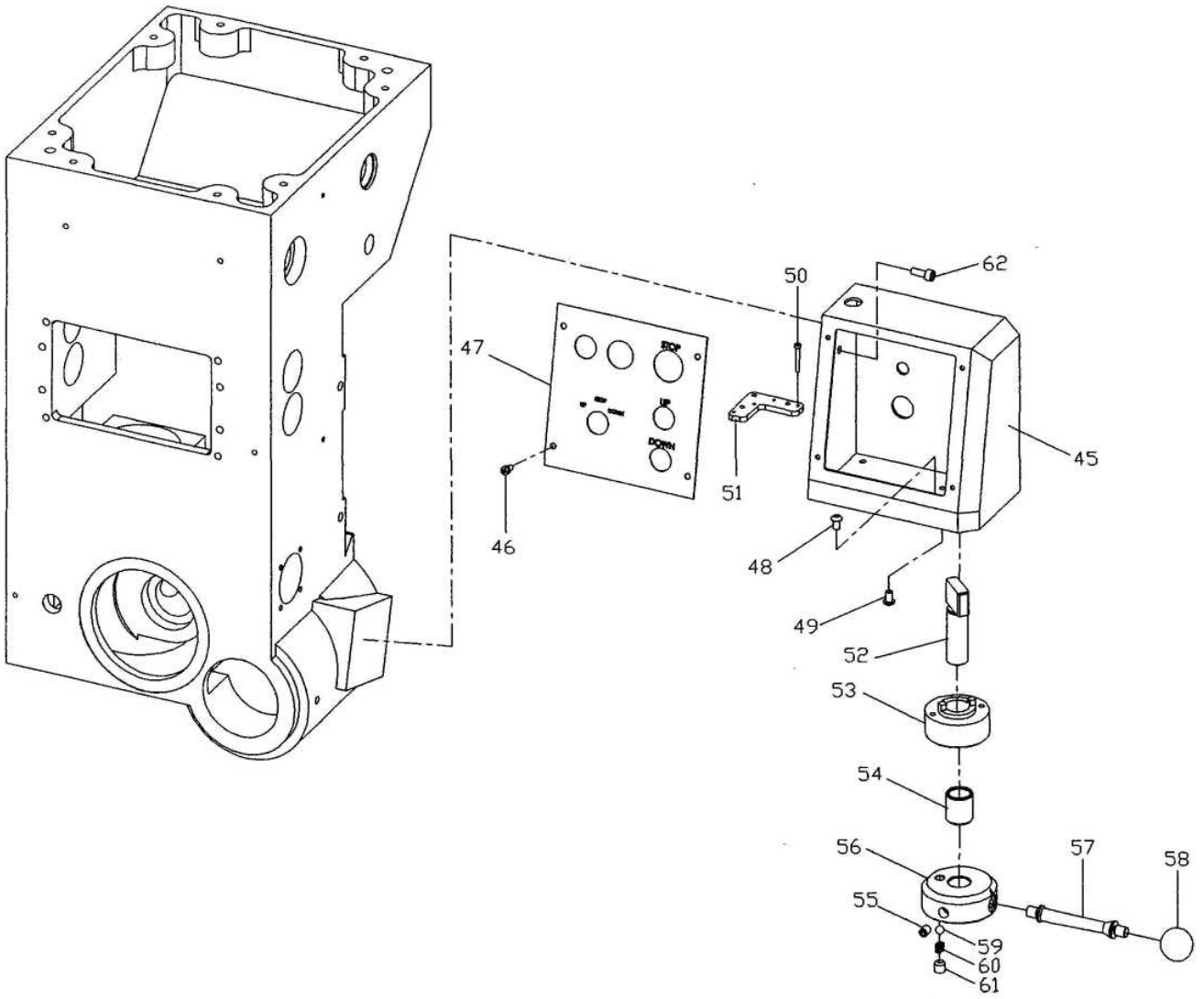
Unit No. 5 Gear box

Index No.	Part No.	Drawing No.	Parts Name	Type	Q'ty
139	M1414006	M1414-3/16"*3/8"	Bolt	3/16"*3/8"L	4
140	M1401-M10*30		Bolt	M10*30L	1
141	10108	8A-GB096A	Eccentric Bushing		1
142	10107	8A-GB095	Gear		1
143	10109	8A-GB097	Set Block		1
144	M1401-M5*16		Bolt	M5*16L	1
145	10110	8A-GB098	Lock Screw		1
146	10111	8A-GB099	Nut		1
147	10072	8A-GB047	Three Step Speed Change Lever		1
148	M1317005			5/16"	1
149	10103	8A-GB091	Nut		1
150	10121	8A-GB114	Gasket		2
151	10122	8A-GB115	Fixed Lock		1
152	M1403-M10*10		Bolt		2
153	10678	8A-GB122	Spring		2
154	M1323025		Ball Steel		2
155	10047				1
156	M1401-M6*12		Bolt		1
157	M1401-M8*40		Bolt	M8*40L	1
158	10127		Copper Ball		1
159	M1403-M6*10		Bolt	M6*10L	1
160	M1323021		Gage Fuel Level		1

Unit No. 6 Rear gear box



Unit no. 6 Rear gear box



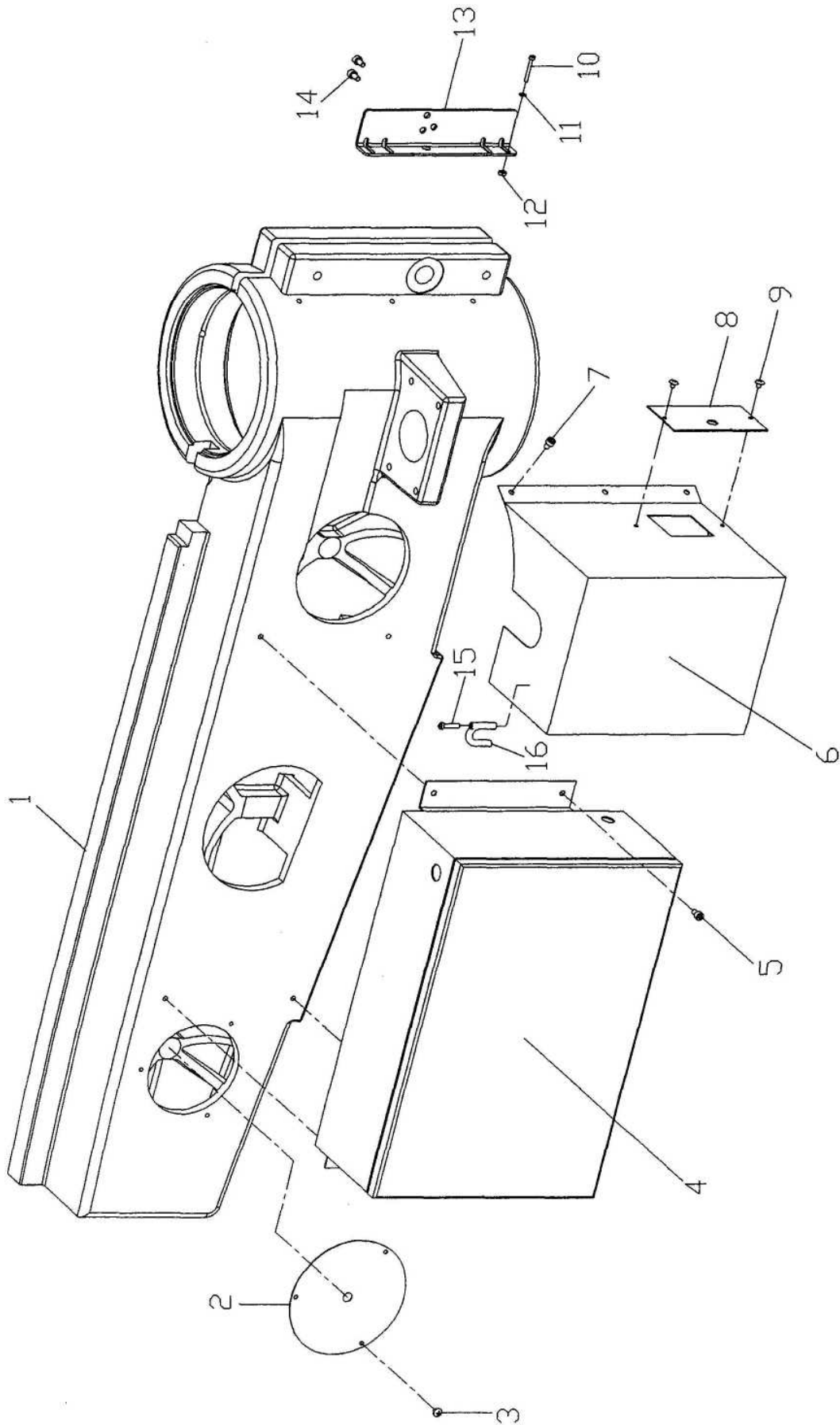
Unit No. 6 Rear gear box

Index No.	Part No.	Drawing No.	Parts Name	Type	Q'ty
1	10044	8A-GB001G	Gear Box		1
2	10128	8A-GS002C	Guard		1
3	M1410-M6*10		Bolt	M6*10L	2
4	M1401-M5*10		Bolt	M5*10L	2
5	10129	8A-GS003	Shaft		1
6	10130	8A-GS006	Washer		1
7	M0901-6002ZZ		Bearing	6002ZZ	1
8	10130	8A-GS006	Washer		1
9	M1312-S15		Retainer	S15	1
10	10147	8A-GS036A	Cam Shaft Sleeve		1
11	10148	8A-GS037D	Clamping Cam Shaft		1
12	10134	8A-GS011	Bearing Bracket		1
13	10133	8A-GS009	Eccentric Shaft		2
14	M1403-M10*20		Bolt	M10*20L	2
14-1	10153	8A-GS048	Copper Ball		2
15	M0901-6204ZZ		Bearing	6204ZZ	2
16	10132	8A-GS008A	Adjusting Washer		2
17	M1401-M10*55		Bolt	M10*55L	2
18	10135	8A-GS013	Eccentric Shaft		2
19	M0901-6204ZZ		Bearing	6204ZZ	2
20	10136	8A-GS014			1
21	M1414001	M1414-3/16"*1/2"	Bolt	3/16"*1/2" L	4
22	10149	8A-GS038	Feed Speed Selector		1
22-1	M1403-M8*10		Bolt	M8*10L	1
23	10150	8A-GS039	Clamping Lever		1
24	M1317007			1/2"	1
25	10131	8A-GS007	Bearing Bracket		1
25-1	M1403-M6*8		Bolt	M6*8L	4
26	10137	8A-GS016			1
27	10145	8A-GS029A	Hand Wheel Lock Nut		1
27-1	M1401-M6*16		Bolt	M6*16L	1
28	10143	8A-GS028A	Auxiliary Dial		1
29	M1312-S17		Retainer	S17	1
30	M0901-6003ZZ		Bearing	6003ZZ	1
31	10140	8A-GS021	Spring Housing		1
32	M0901-6004ZZ		Bearing	6004ZZ	1
33	10139	8A-GS020			1
34	10141	8A-GS022	Shaft		1
34-1	M1328-5*12		Key	5mm*12L	1
35	10138	8A-GS019A	Pulley		1
36	10154	8A-GS049	Adapter of Chain		1
37	M1204003		Chain	25H*94	1
38	M1312-S20		Retainer	S20	1
39	10151	8A-GS041	Cam		1
39-1	M1403-M6*6		Bolt	M6*6L	1
40	10142	8A-GS024	Cover		1

Unit No. 6 Rear gear box

Index No.	Part No.	Drawing No.	Parts Name	Type	Q'ty
41	M1414006	M1414-3/16"*3/8"	Bolt	3/16"*3/8" L	4
42	10152	8A-GS047	Mounting Plate		1
43	M1414010	M1414-5/32"*5/8"	Bolt	5/32"*5/8" L	2
44	M1501007	M1501-5/32"	Nut	5/32"	2
45	10146	8A-GS034B			1
46	M1410-M5*12		Bolt	M5*12L	4
47	10726		Switch Plate		1
48	M1410-M6*10		Bolt	M6*10L	2
49	M1410-M6*10		Bolt	M6*10L	3
50	M1401-M3*25		Bolt	M3*25L	4
51	10865	1230-GB128	Mounting Plate		1
52	10859	1230-GB121			1
53	10861	1230-GB123A	Fixed Range		1
54	M0920- LFB2025		Self-Lubricating Bearing	LFB2025	1
55	M1403-M8*10		Bolt	M8*10L	1
56	10864	1230-GB127A			1
57	10860	1230-GB122			1
58	M1317008			3/8"	1
59	M1323025		Ball Steel	5/16"	1
60	M2001019		Wire Spring	5/16"*1.3* 10L	1
61	M1403-M10*10		Bolt	M10*10L	1
62	M1401-M6*16		Bolt	M6*16L	3

Unit No. 7 Electric box



Unit No. 7 Electric box

Index No.	Part No.	Drawing No.	Parts Name	Type	Q'ty
1	10030	8A-BC021D	Ann		1
2	10156	8A-RA002	Cover		1
3	M1414002	M1414-3/16"*1/4"	Bolt	3/16"*1/4"L	3
4	10161	8A-RA012A	Electric Control Box		1
5	M1401-M6*10		Bolt	M6*10L	4
6	10157	8A-RA006	Cover		1
7	M1401-M6*10		Bolt	M6*10L	4
8	10158	8A-RA007	Mounting Plate		1
9	M1414002	M1414-3/16"*1/4"	Bolt	3/16"*1/4"L	2
10	M1414009	M1414-5/32"*1-1/4"	bolt	5/32"*1-1/4"L	4
11	M1602037	M1602-5/32"	Washer	5/32"	4
12	M1501007	M1501-5/32"	Nut	5/32"	4
13	10159	8A-RA009	Mounting Plate		1
14	M1401-M6*12		Bolt	M6*12L	2
15	M1414003	M1414-3/16"*1-1/4"	Bolt	3/16"*1-1/4"L	2
16	MI 315028				2