

# **JET**

**JSS-16**

**SCROLL SAW**

**10000808M/U**  
**230/50-60/1**

**PARTS LIST**  
**ERSATZTEILLISTE**  
**LISTE DE PIECES**

**WMH Tool Group AG**

Bahnstrasse 24, CH – 8603 Schwerzenbach

[www.wmhtoolgroup.ch](http://www.wmhtoolgroup.ch); [info@wmhtoolgroup.ch](mailto:info@wmhtoolgroup.ch)

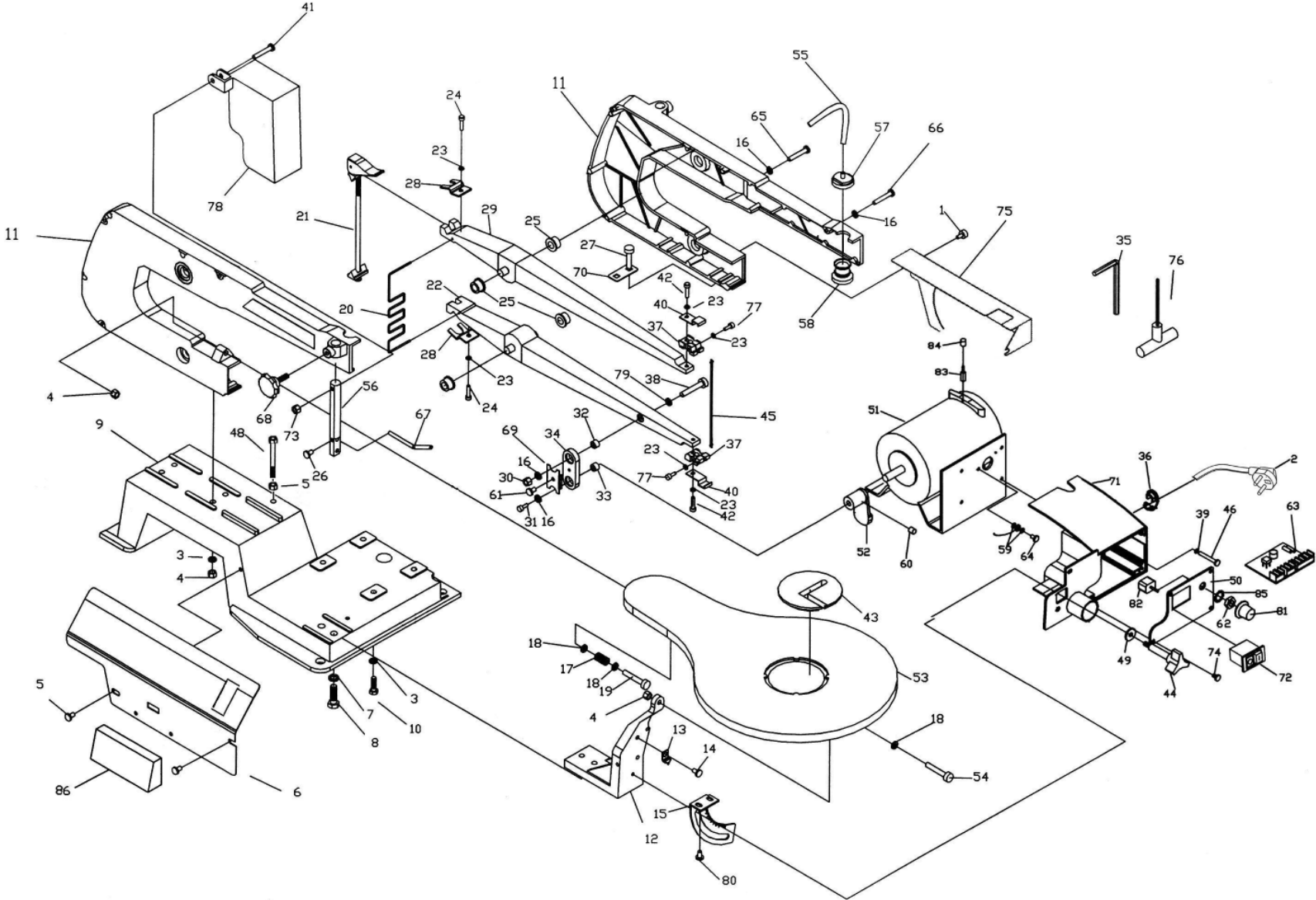
Tel +41 (0) 44 806 47 48

Fax +41 (0) 44 806 47 58



P-10000808M/U 06/05

# Parts Breakdown For JSS-16 Scroll Saw



## Parts List For JSS-16 Scroll Saw

Index No.	Part No.	Description	Size	Qty.
1	JSS16-001	PAN HEAD SCREW	ST4.2X10	1
2	JSS16-002	POWER SUPPLY	230V	1
	JSS16-002U	POWER SUPPLY	230V-UK	1
3	JSS16-003	SPRING WASHER	6	4
4	JSS16-004	HEX NUT	M6	1
5	JSS16-005	HEX NUT	M5	2
6	JSS16-006	PLATE COVER		1
7	JSS16-007	SPRING WASHER	8	4
8	JSS16-008	HEX HEAD SCROW	M8X25	4
9	JSS16-009	BASE		1
10	JSS16-010	HEX HEAD SCREW	M6X20	4
11	JSS16-011	HOUSING SET		1
12	JSS16-012	SUPPORT TABLE		1
13	JSS16-013	INDICATOR		1
14	JSS16-014	PAN HEAD SCROW	M6X12	1
15	JSS16-015	BRACKET TILT		1
16	JSS16-016	SPRING WASHER	5	2
17	JSS16-017	SPRING		1
18	JSS16-018	FLAT WASHER	6	2
19	JSS16-019	HEX HEAD BOLT	M6X40	1
20	JSS16-020	SPRING		1
21	JSS16-021	BOLT TENSION		1
22	JSS16-022	LOWER ROCKER ARM ASSY		1
23	JSS16-023	SPRING WASHER	4	2
24	JSS16-024	HEX HEAD BOLT	M4X10	2
25	JSS16-025	BEARING FLANGE		4
26	JSS16-026	PAN HEAD SCROW	M5X6	2
27	JSS16-027	ROUND HEAD SCROW	M6X25	2
28	JSS16-028	RETAINER		2
29	JSS16-029	UPPER ROCKER ARM ASSY		1
30	JSS16-030	HEX NUT	M5	2
31	JSS16-031	HEX HEAD BOLT	M5X20	2
32	JSS16-032	SPACER BEARING		1
33	JSS16-033	SPACER BEARING		1
34	JSS16-034	LINK ASSEMBLY		1
35	JSS16-035	ALLEN WRENCH		1
36	JSS16-036	CORD CLAMP		1
37	JSS16-037	BLADE HOLDER		2
38	JSS16-038	HEX HEAD BOLT	M5X25	2
39	JSS16-039	FLAT WASHER	4	2
40	JSS16-040	PLATE CHIP		2
41	JSS16-041	PAN HEAD SCREW	M5X25	2
42	JSS16-042	HEX HEAD BOLT	M4X16	2
43	JSS16-043	TABLE INSERT		1
44	JSS16-044	KNOB		1
45	JSS16-045	BLADE		1
46	JSS16-046	PAN HEAD SCREW	M4X16	4
47				
48	JSS16-048	SCREW		2
49	JSS16-049	BIG FLAT WASHER	6	2
50	JSS16-050	SWITCH COVER		1
51	JSS16-051	MOTOR	230V	1
52	JSS16-052	ECCENTRIC		1
53	JSS16-053	TABLE		1
54	JSS16-054	HEX HEAD BOLT	M6X35	2
55	JSS16-055	PVC PIPE		1

## Parts List For JSS-16 Scroll Saw

Index No.	Part No.	Description	Size	Qty.
56	JSS16-056	SUPPORT ROD		1
57	JSS16-057	BELLOWS LOCKS		1
58	JSS16-058	BELLOWS		1
59	JSS16-059	TOOTH WASHER 4		4
60	JSS16-060	SET SCREW M8X8		1
61	JSS16-061	PAN HEAD SCREW ST4.2X8		1
62	JSS16-062	THIN NUT M10		1
63	JSS16-063	PRINTED CIRCUIT BOARD 230V		1
64	JSS16-064	PAN HEAD SCREW M4X6		2
65	JSS16-065	PAN HEAD SCREW M5X35		2
66	JSS16-066	PAN HEAD SCREW M5X30		2
67	JSS16-067	BLOWER TUBE		1
68	JSS16-068	KNOB		1
69	JSS16-069	BEARING FENCE		1
70	JSS16-070	SET PLATE		1
71	JSS16-071	SWITCH CASE		1
72	JSS16-072	POWER SWITCH 230V		1
73	JSS16-073	HEX NUT M5		2
74	JSS16-074	PAN HEAD SCREW ST4.2X13		4
75	JSS16-075	BACK PLATE COVER		1
76	JSS16-076	ALLEN WRENCH 3MM		1
77	JSS16-077	HEX HEAD SCREW M4X16		2
78	JSS16-078	BLADE GARD		1
79	JSS16-079	FLAT WASHER 5MM		2
80	JSS16-080	PAN HEAD SCREW M5X8		2
81	JSS16-081	SPEED KNOB		1
82	JSS16-082	RESISTOR		1
83	JSS16-083	BRUSH		2
84	JSS16-084	BRUSH CAP		2
85	JSS16-085	STAR WASHER M10		1
86	JSS16-086	BLADE BOX		1