

J E T

JSSG-10

Slow Speed Wet Sharpener

**708015M
230/50-60/1**

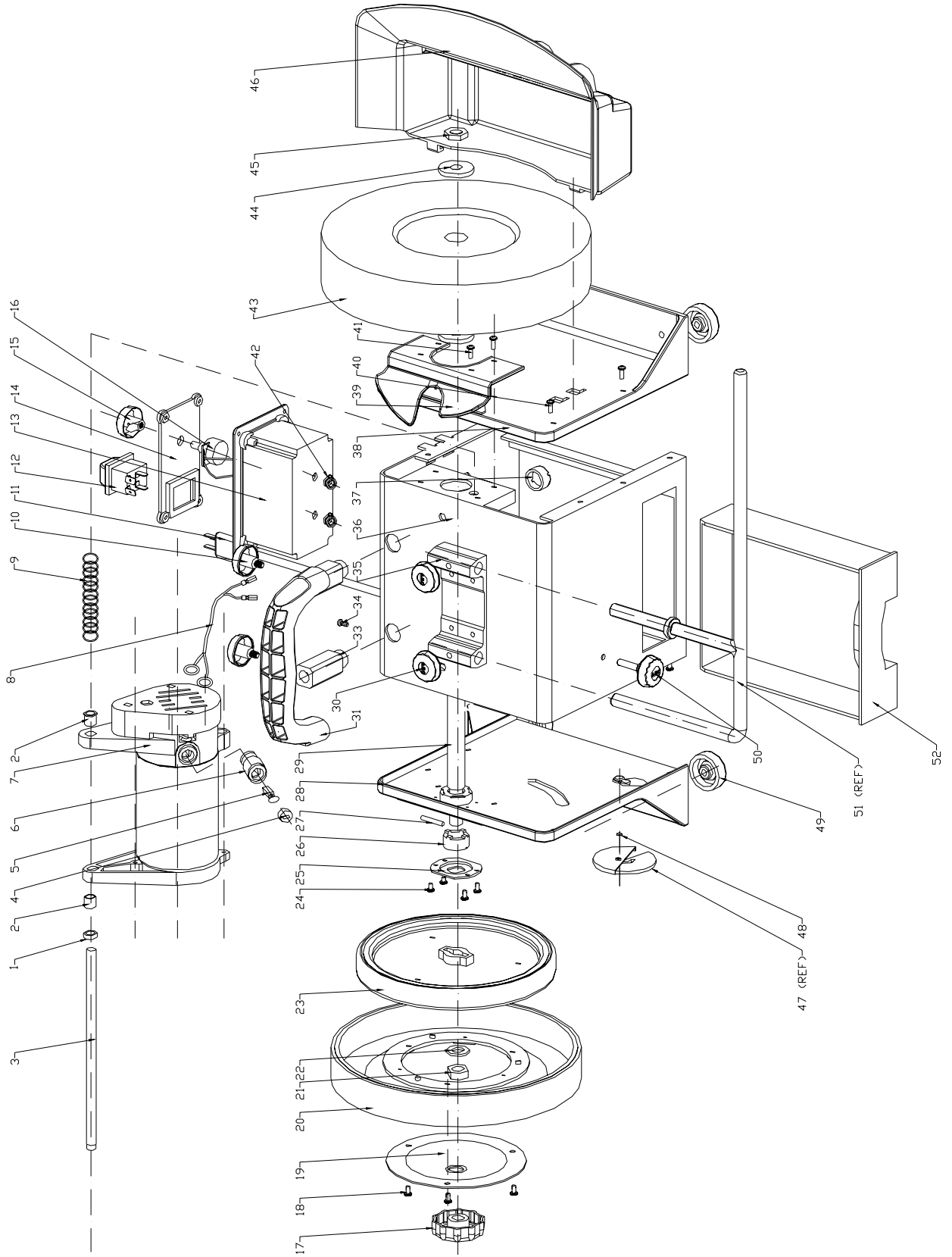
**PARTS LIST
ERSATZTEILLISTE
LISTE DE PIECES**

WMH Tool Group AG
Bahnstrasse 24, CH – 8603 Schwerzenbach
www.wmhtoolgroup.ch; info@wmhtoolgroup.ch
Tel +41 (0) 44 806 47 48
Fax +41 (0) 44 806 47 58

P-708015M 06/06



Parts breakdown for the JSSG-10 Wet Sharpener



Parts List for the JSSG-10 Wet Sharpener

Index No	Part No	Description	Size	Qty
1	708015-101	Spacer		1
2	708015-102	Bushing		2
3	708015-103	Motor Mount Shaft		1
4	708015-104	Carbon Brush Cover		2
5	708015-105E	Carbon Brush		2
6	708015-106	Carbon Brush Holder		2
7	708015-107E	Motor (Complete)	230V, 50-60Hz	1
8	708015-108E	Motor Wire		1
9	708015-109	Pressure Spring		1
10	708015-110	Knob w/M6 Bolt Insert		2
11	708015-111E	Power Cord with Plug		1
12	708015-112	Waterproof On/Off Switch		1
13	708015-113	Switch Box		1
14	708015-114	Switch Box Cover		1
15	708015-115	Speed Switch Knob w/Indicator		1
16	708015-116E	Speed Adjusting Switch Set		1
17	708015-117	Honing Wheel Lock Knob		1
18	708015-118	Self-Tapping Screw	ST4x6	3
19	708015-119E	Honing Wheel End Cover		1
20	708043	Honing Wheel with Leather		1
21	708015-121	Lock Nut		1
22	TS-2360121	Flat Washer	M12	2
23	708015-123	Drive Wheel		1
24	708015-124	Self-Tapping Screw	ST3x4	8
25	708015-125	Slide Bearing Cover		2
26	708015-126	Slide Bearing		2
27	708015-127	Pin		1
28	708015-128	Left Machine Support		1
29	708015-129	Drive Shaft		1
30	708015-130	Horizontal Support Knob		2
31	708015-131	Handle		1
	TS-1504051	Socket Head Cap Screw (For Handle, not shown)	M8x25	2
	TS-1550061	Flat Washer (For Handle, not shown)	M8	2
	TS-1541031	Nylon Insert LockNut (For Handle, not shown)	M8	2
33	708015-133E	Vertical Support		2
34	708015-134	Ground Screw		1
35	708015-135	Horizontal Support		1
36	708015-136	Machine Body		1
37	708015-137	Vertical Support Lock Nut		2
38	708015-138	Right Machine Support		1
39	708015-139	Water Shield		1
40	708015-140	Pan Head Machine Screw	M5x6	17
41	TS-1533032	Pan Head Machine Screw	M5x10	13
42	708015-142	Cord Strain Relief		4
43	708042	Stone Wheel		1
44	708015-144	Washer	30mm OD	2
45	TS-1540081	Hex Nut	M12	1
46	708015-146	Water Tank		1
47	708041	AMD-2: Chisel Angle Jig		1
48	708015-148	Cylinder Magnet		1

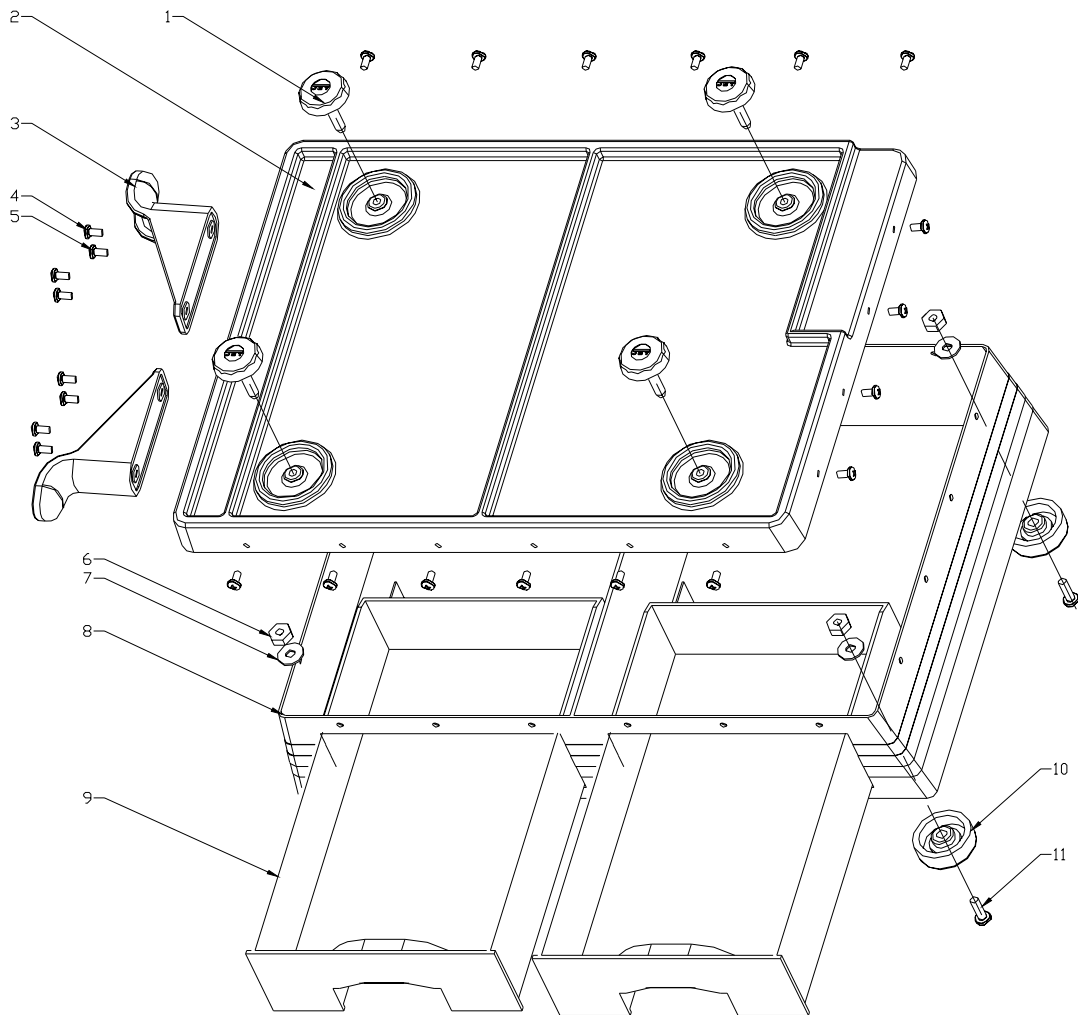
Parts list continued for the JSSG-10 Wet Sharpener

Index No	Part No	Description	Size	Qty
49	708015-149	Rubber Foot		4
50	708015-150	Torque Adjusting Knob		1
51	708039E	SA-1: Support Arm Assembly		1
52	708015-152	Drawer		1
	708017	SG-1: Stone Grader (Not Shown)		1
	708029	SEJ-1: Straight Edge Jig (Not Shown)		1
	708033	AMD-1: Angle Measuring Device (Not Shown)		1
	708023	HC: Honing Compound (Not Shown)		1

Drawer Base

Stock # 708016M

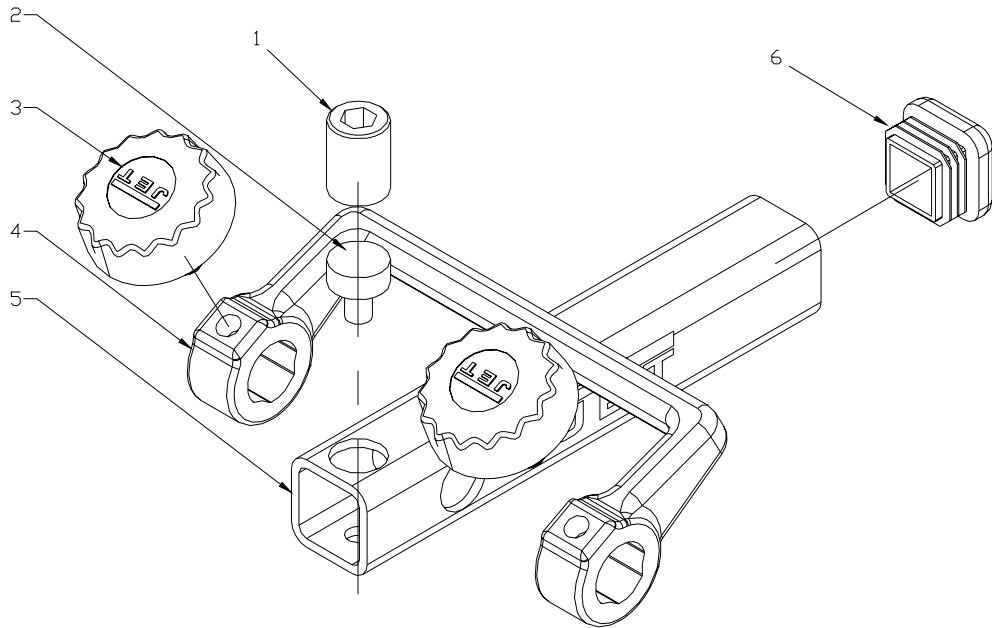
Index No	Part No	Description	Size	Qty
1	708016-101	Knob		4
2	708016-102	Base Top Cover		1
3	708016-103	Cord Wrap Bracket		2
4	708016-104	Self-Tapping Screw	ST4x10	4
5	TS-1532032	Pan Head Machine Screw	M4x10	20
6	TS-1540041	Hex Nut	M6	4
7	TS-1550041	Flat Washer	M6	4
8	708016-108	Base		1
9	708016-109	Drawer		2
10	708015-149	Rubber Foot		4
11	TS-1534052	Pan Head Machine Screw	M6x16	4



DT-1 Diamond Truing Tool

Stock # 708018M

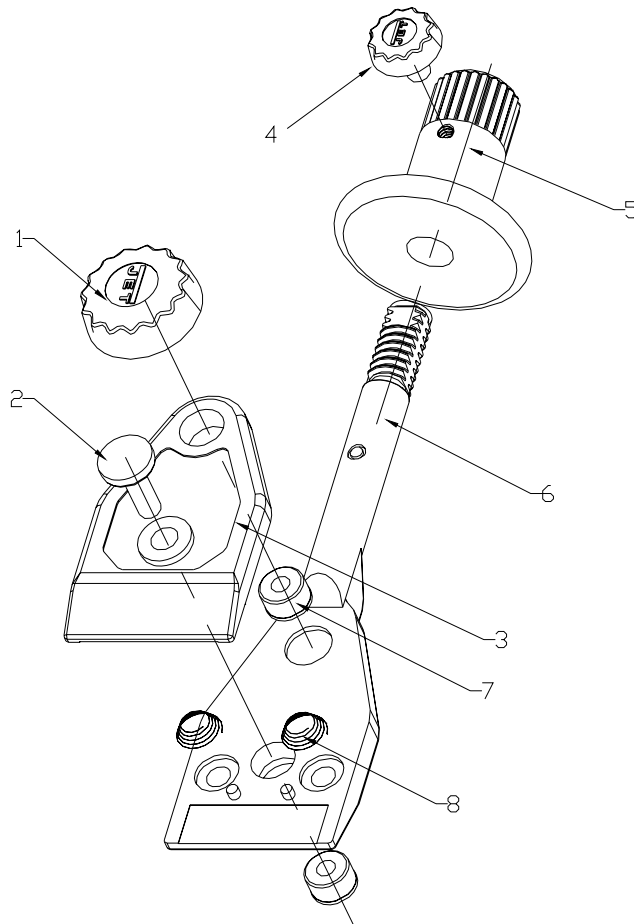
Index No	Part No	Description	Size	Qty
1	708018-101	Lock Screw		1
2	708018-102	Diamond Tip		1
3	708015-110	Knob w/M6 Bolt Insert		2
4	708018-104E	Holder		1
5	708018-105E	Square Tube		1
6	708018-106	Tube End Cover		1



KJ-1 Knife Jig

Stock # 708019M

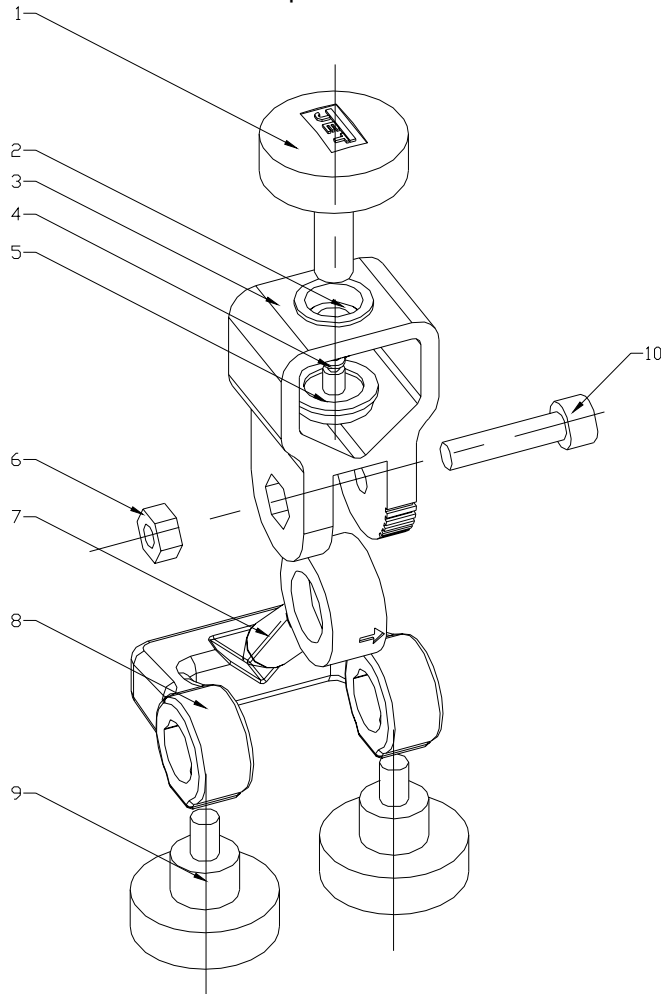
Index No	Part No	Description	Size	Qty
1	708019-101	Knob		1
2	708019-102	Adjusting Knob		1
3	708019-103E	Top Plate		1
4	708019-104	Knob		1
5	708019-105	Handle		1
6	708019-106E	Bottom Plate		1
7	708019-107	Brass Insert		2
8	708019-108	Cone Spring		2



GJ-1 Gouge Jig

Stock # 708020M

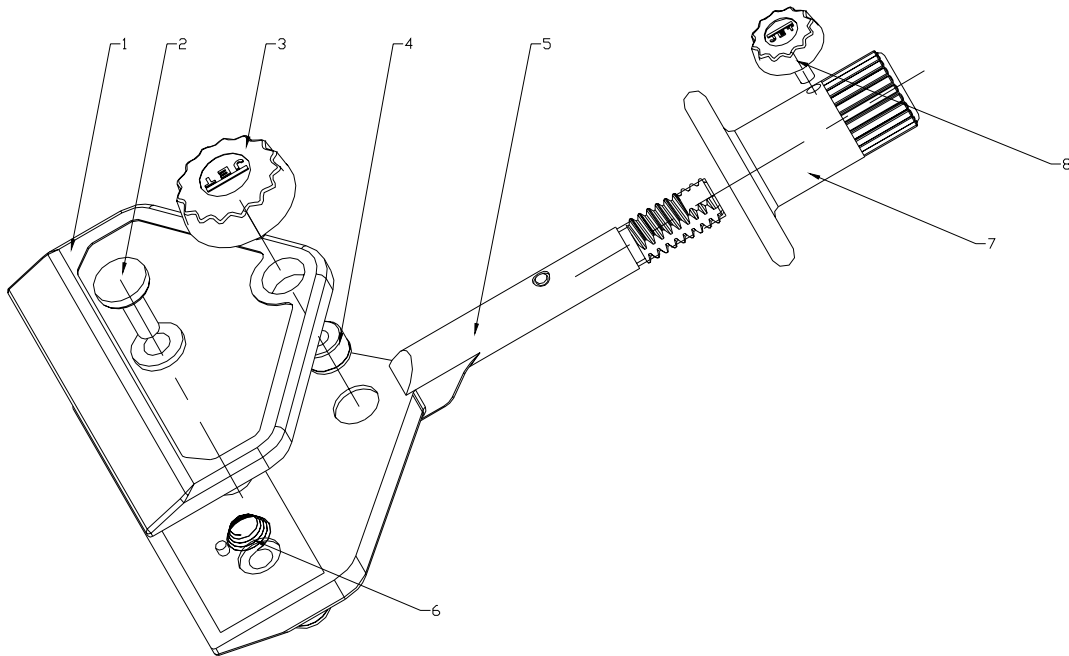
Index No	Part No	Description	Size	Qty
1	708020-101	Knob		1
2	708020-102	Brass Insert		1
3	708020-103E	Body		1
4	708020-104	Rubber Ring		1
5	708020-105	Brass End Piece		1
6	TS-1540041	Hex Nut	M6	1
7	708020-107E	Pivot		1
8	708020-108E	Holder		1
9	708015-110	Knob w/M6 Bolt Insert		2
10	TS-1503061	Socket Head Cap Screw	M6x25	1



LKJ Long Knife Jig

Stock # 708021M

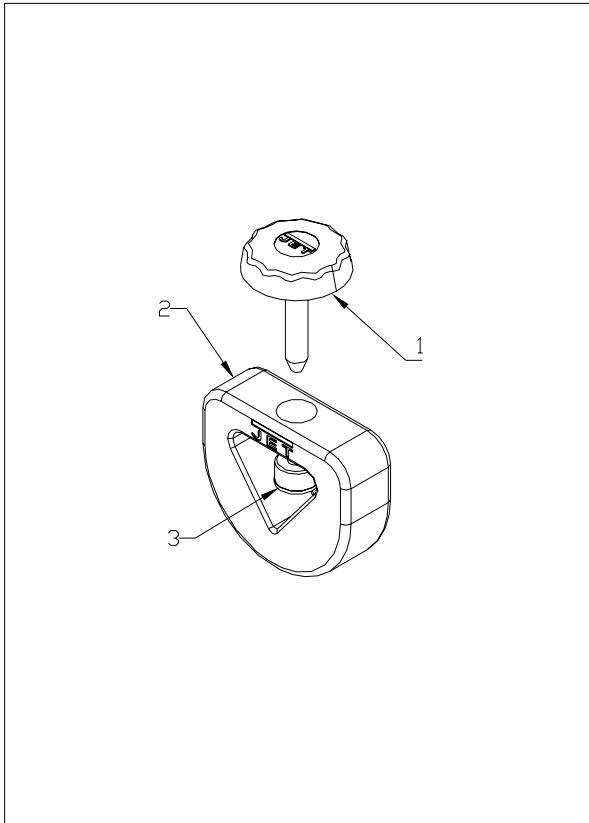
Index No	Part No	Description	Size	Qty
1	708021-101E	Top Plate		1
2	708019-102	Adjusting Knob		1
3	708019-101	Knob		1
4	708019-107	Brass Insert		2
5	708021-105E	Bottom Plate		1
6	708019-108	Cone Spring		2
7	708019-105	Handle		1
8	708019-104	Knob		1



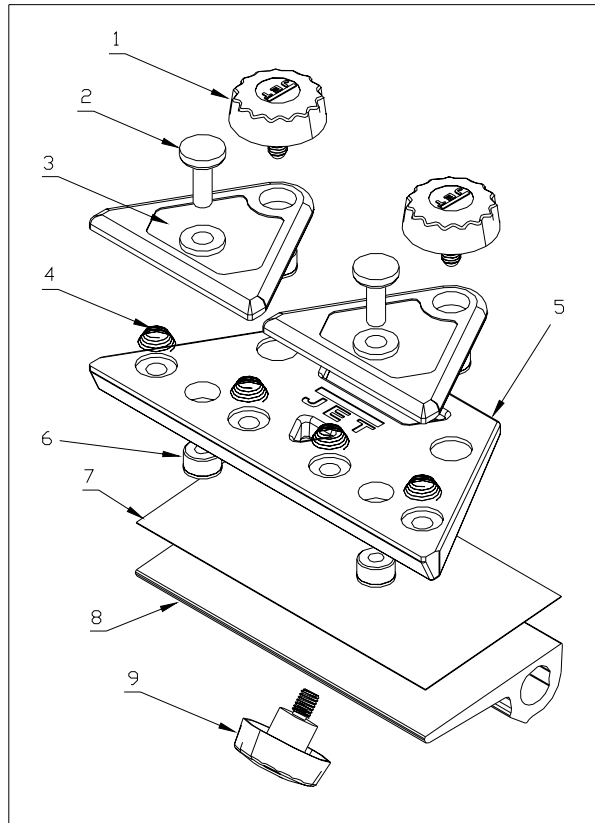
STJ-1 Carving Tool Jig

Stock # 708025M

Index No	Part No	Description	Size	Qty
1	708016-101	Knob		1
2	708025-102E	Body		1
3	708025-103	Brass Insert		1



STJ-1 – Short Tool Jig



SJ-1 – Scissors Jig

SJ-1 Scissors Jig

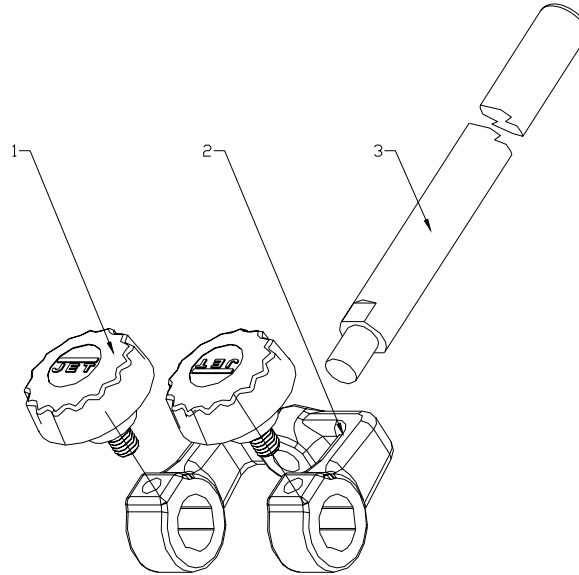
Stock # 708026M

Index No	Part No	Description	Size	Qty
1	708019-101	Knob		2
2	708019-102	Adjusting Knob		2
3	708026-10E	Top Plate		2
4	708019-108	Cone Spring		4
5	708026-105E	Bottom Plate		1
6	708019-107	Brass Insert		4
7	708026-107	Plastic Slide Sheet		1
8	708026-108	Scissors Jig Rest		1
9	708015-110	Knob w/M6 Bolt Insert		1

SWGJ-1 Side Wheel Grinding Jig

Stock # 708027M

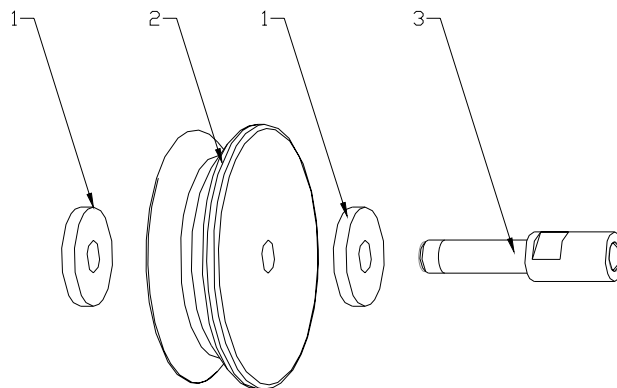
Index No	Part No	Description	Size	Qty
1	708015-110	Knob w/M6 Bolt Insert		2
2	708027-102E	Holder		1
3	708027-103E	Bar		1



PLH-1 Profiled Leather Honing Wheel

Stock # 708028M

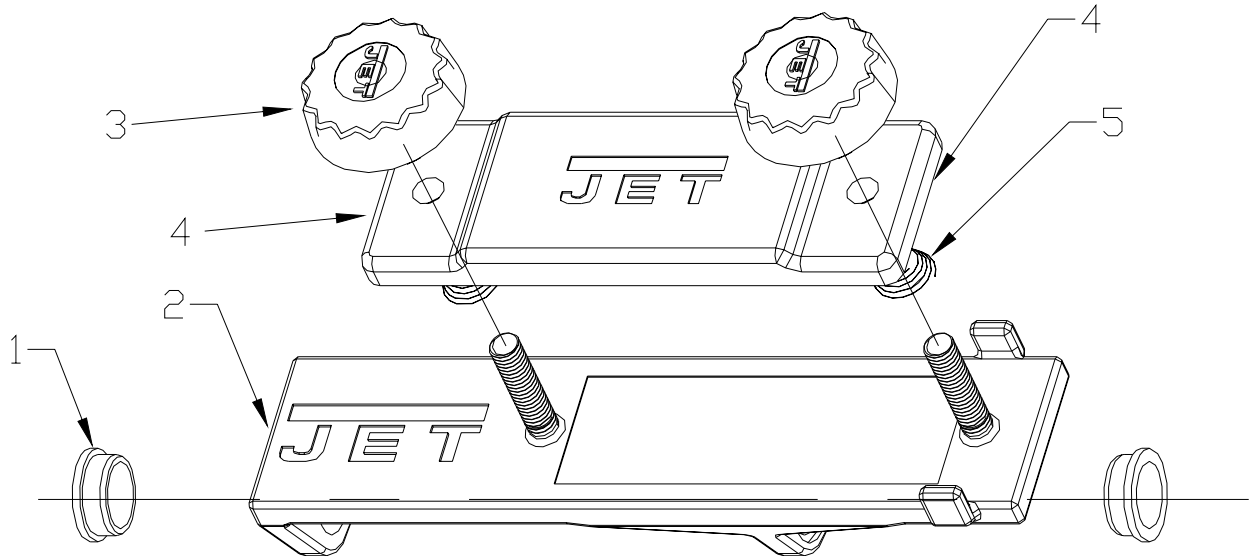
Index No	Part No	Description	Size	Qty
1	708015-144	Washer		2
2	708028-102	Leather Wheel		1
3	708028-103	Shaft		1



SEJ-1 Straight Edge Jig

Stock # 708029M

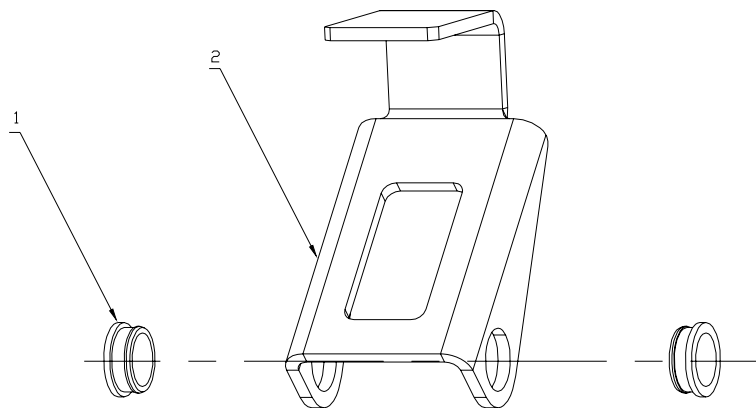
Index No	Part No	Description	Size	Qty
1	708029-101	Bushing		2
2	708029-102E	Bottom Plate		1
3	708029-103	Knob		2
4	708029-104E	Top Plate		1
5	708019-108	Cone Spring		2



AJ-1 Axe Jig

Stock # 708031M

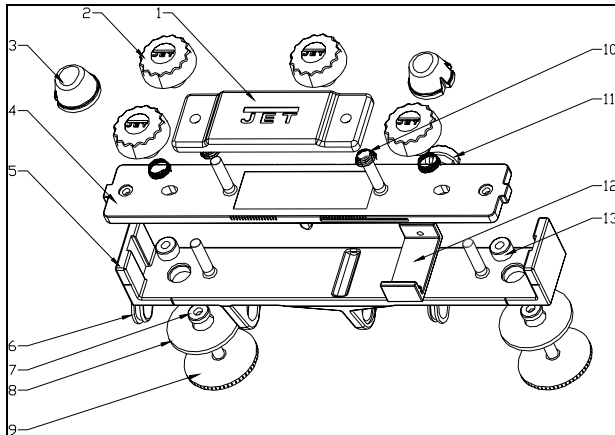
Index No	Part No	Description	Size	Qty
1	708029-101	Bushing		2
2	708031-102	Axe Holder		1



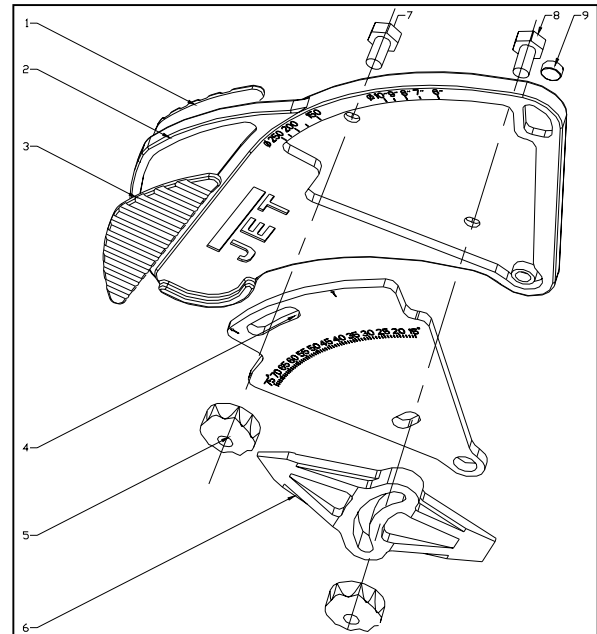
PCJ-1 Plane Camber Jig

Stock # 708032M

Index No	Part No	Description	Size	Qty
1	708029-104E	Top Plate		1
2	708029-103	Knob		4
3	708032-103	Rubber Rest		2
4	708032-104E	Middle Plate		1
5	708032-105E	Bottom Plate		1
6	708029-101	Bushing		2
7	708032-107	Lock Plate Brass Insert		2
8	708032-108E	Lock Plate		2
9	708032-109E	Adjusting Screw		2
10	708019-108	Cone Spring		4
11	708032-111	Knob		1
12	708032-112	Slide Plate		1
13	708032-113	Brass Insert		2



PCJ-1 Plane Camber Jig



AMD-1 Angle Measuring Device

AMD-1 Angle Measuring Device

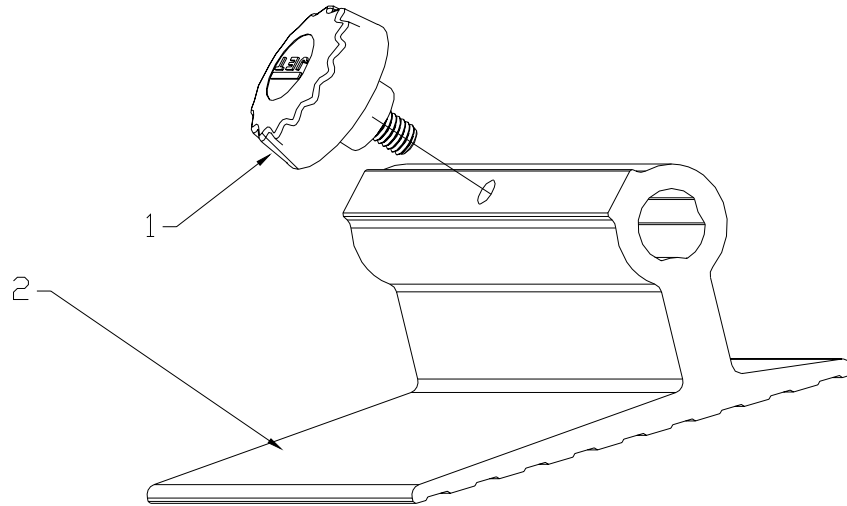
Stock # 708033M

Index No	Part No	Description	Size	Qty
1	708033-101	Bottom Rubber Grip		1
2	708033-102	Angle Measuring Body		1
3	708033-103	Top Rubber Grip		1
4	708033-104	Angle Measuring Dial		1
5	708033-105	Knob		2
6	708033-106	Indicator		1
7	708033-107	Hex Bolt	M4x8	1
8	708033-108	Hex Bolt	M4x14	1
9	708033-109	Cylinder Magnet		1

TR-1 Tool Rest

Stock # 708034M

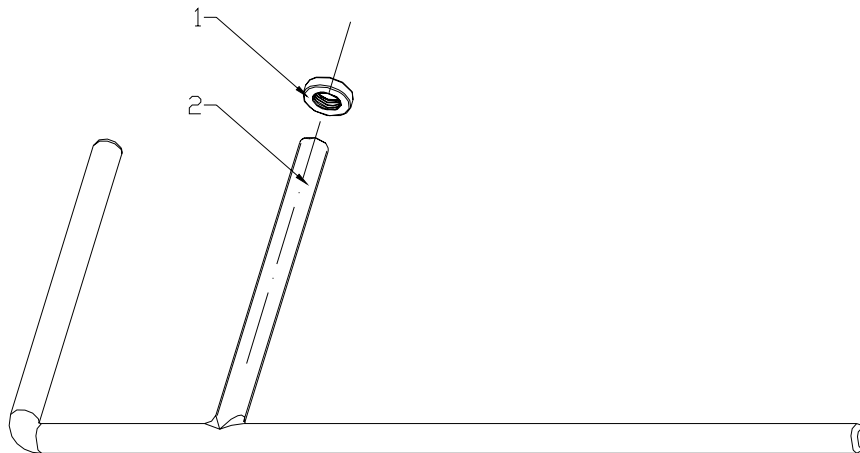
Index No	Part No	Description	Size	Qty
1	708015-110	Knob w/M6 Bolt Insert		1
2	708034-102	Tool Rest		1



SA-1 Support Arm Assembly

Stock # 708039M

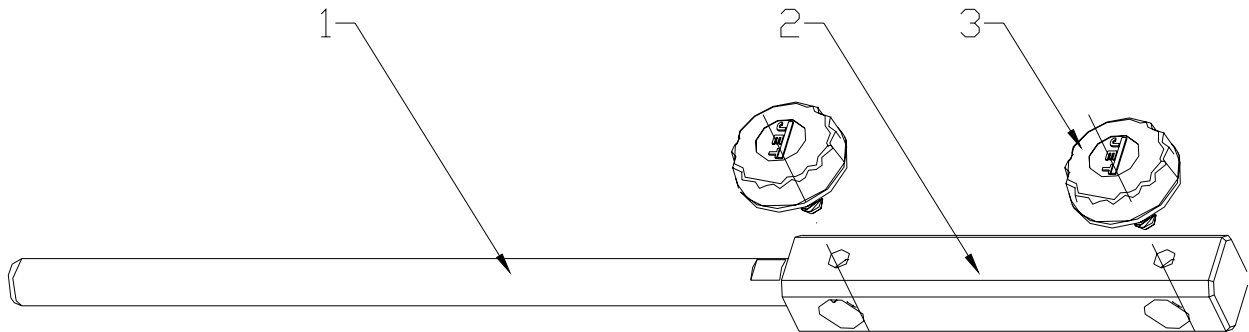
Index No	Part No	Description	Size	Qty
1	708039-101	Support Arm		1
2	708039-102E	Adjusting Nut		1



SAE-1 Support Arm Extension Assembly

Stock # 708040M

Index No	Part No	Description	Size	Qty
1	708040-101E	Extension Bar		1
2	708040-102E	Extension Bar Base		1
3	708015-110	Knob w/M6 Bolt Insert		2



**JSSG-10
708015M**

	colour of strands	Litzenfarben	couleur des cordons
BK	black	schwarz	noir
WH	white	weiß	blanc
BU	blue	blau	bleu
YE	yellow	gelb	jaune
RD	red	rot	rouge
BN	brown	braun	brun
GY	grey	grau	gris
GNYE	green-yellow	grün-gelb	vert-jaune
OG	orange	orange	orange
VT	violet	violett	violet

	meaning of symbol	Bedeutung der Zeichen	interprétation
M	Motor	Motor	moteur
S1	ON-OFF Switch	Ein-Aus Schütz	contacteur magnetique
VR	Various Resistant	Potentiometer	potentiomètre
E	Drive circuit board	Regelplatine	carte electrique
CB	carbon brush	Kohlebürste	Brosse de carbone
HS	Hall sensor	Hall Sensor	Sensor de hall

230/50-60/1

