

JET

JTM-1050VS METALWORKING MILL

50000111T

400/50/3

**PARTS LIST
ERSATZTEILLISTE
LISTE DE PIECES**

WMH Tool Group AG

Bahnstrasse 24, CH – 8603 Schwerzenbach

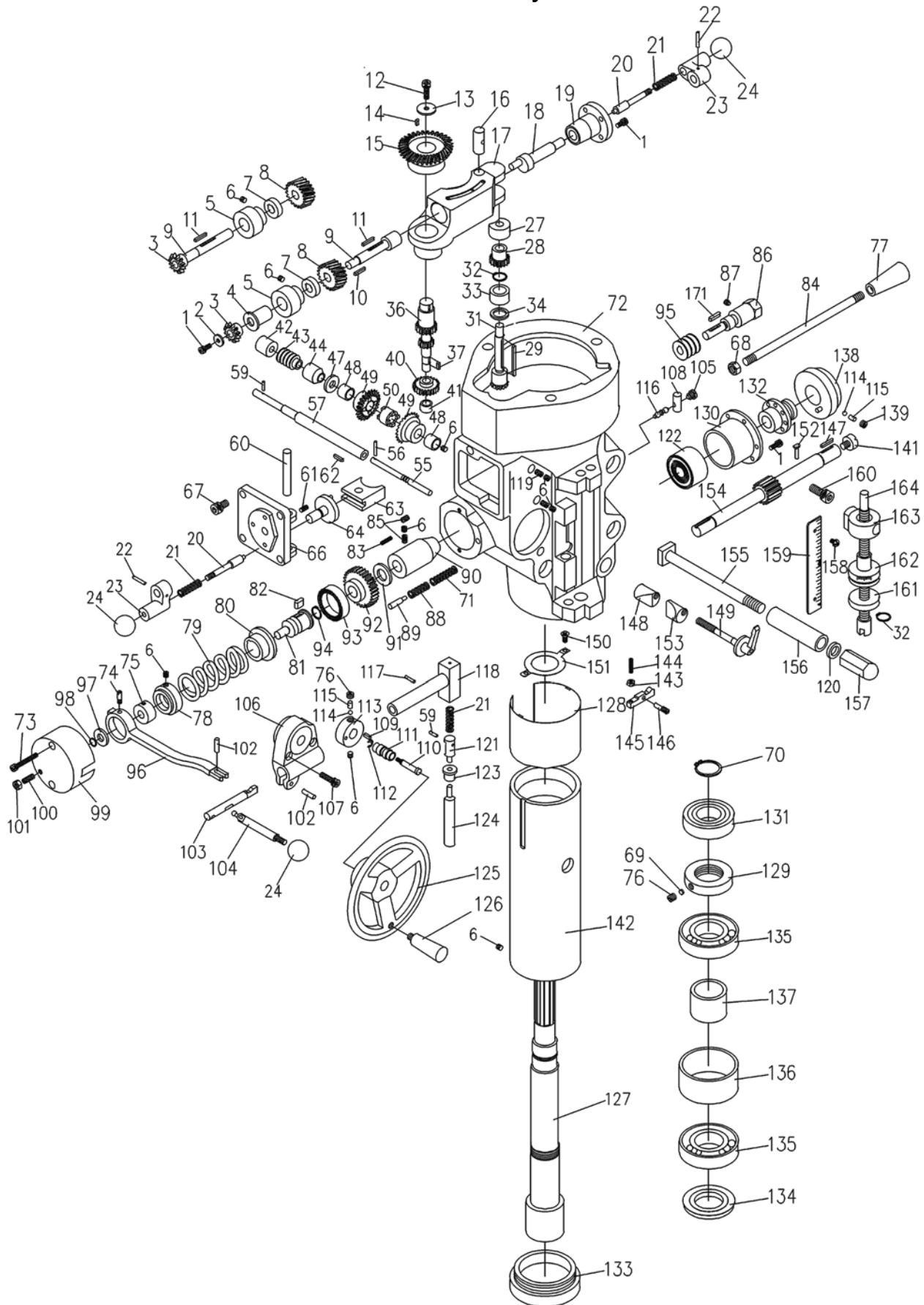
www.wmhtoolgroup.ch; info@wmhtoolgroup.ch

Tel +41 (0) 44 806 47 48

Fax +41 (0) 44 806 47 58



Breakdown for JTM-1050VS Mill Head Assembly



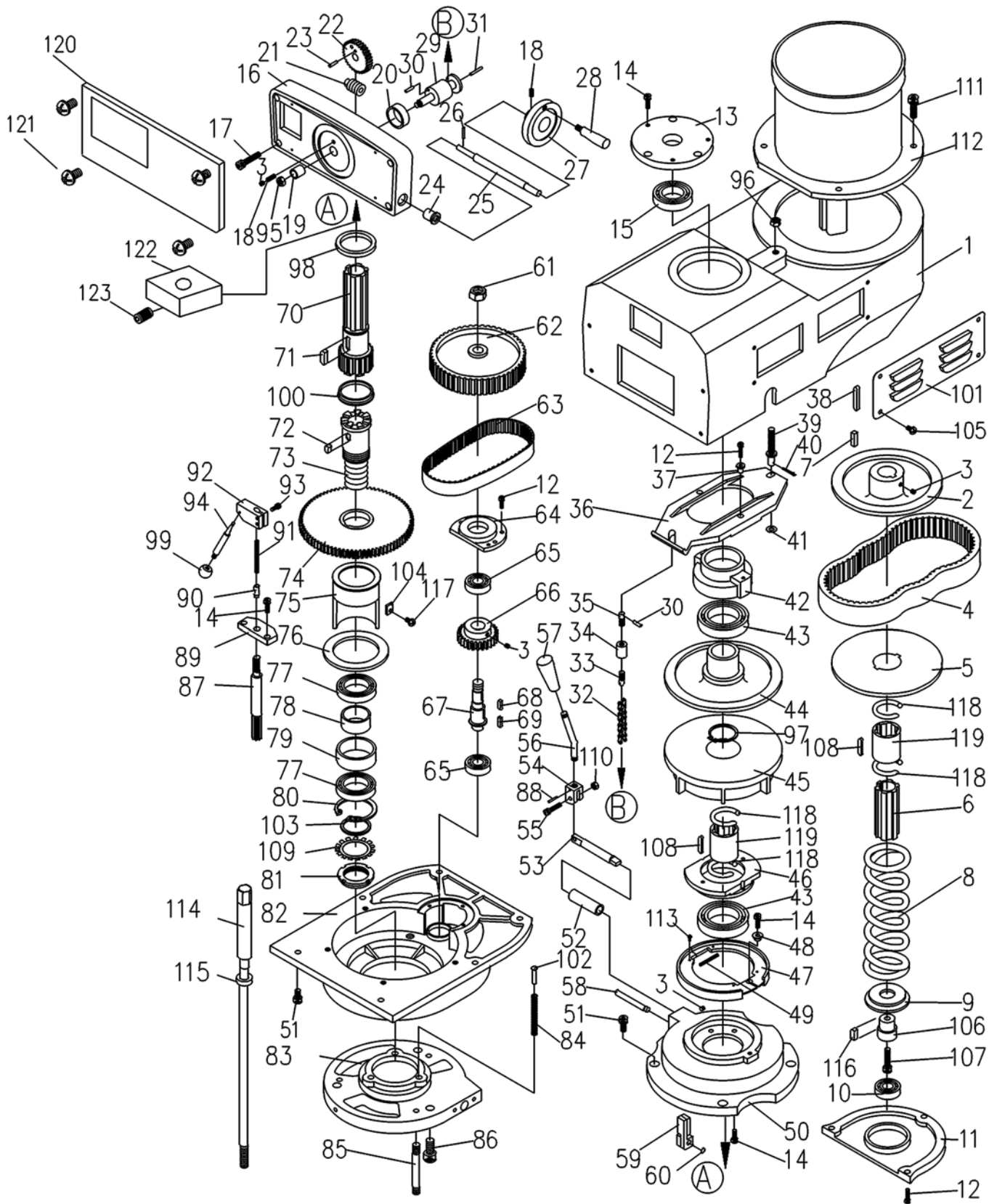
Spare Parts List for JTM-1050VS Head Assembly

Index No.	Part No.	Description	Size	Qty.
1	TS-1533042	Screw	M5x10	6
2	HA-002	Bevel Pinion Washer		1
3	LA-166A	Feed Gear		1
4	LA-161	Shaft Sleeve		1
5	LA-162	Worm Cradle Bushing		1
6	TS-1523011	Set Screw	M6x6	9
7	LA-163	Worm Gear Spacer		1
8	JTM1050VSE-08	Feed Drive Worm Gear	ISO40	1
9	JTM1050VSE-09	Worm Gear Shaft	ISO40	1
10	HA-010	Worm Shaft Key	3x3x8	1
11	KEY3320	Key	3x3x20	1
12	HA-012	Hex Socket Cap Screw	M6X16	1
13	WASM082302	Washer	ø6	1
14	HA-014	Cluster Gear Key	3x3x8.5	1
15	LA-154	Feed Reverse Bevel Gear		1
16	LA-167	Feed Engage Pin		1
17	JTM1050VSE-17	Worm Gear Cradle	ISO40	1
18	LA-066	Cam Rod		1
19	LA-002	Shift Sleeve		1
20	LA-004	Plunger		2
21	LA-005	Spring		3
22	HA-022	Spring Pin	3x22	2
23	LA-033	Cam Rod		2
24	LA-006	Plastic Ball		3
27	LA-147	Upper Bushing		1
28	LA-144	Cluster Gear Assembly		1
29	HA-029	Cluster Gear Key	3x3x45	1
31	LA-143	Cluster Gear Shaft		1
32	HA-032	Snap Ring		2
33	LA-142	Bevel Gear Bushing		1
34	LA-141	Thrust Spacer		1
36	JTM1050VSE-36	Feed Drive Gear	ISO40	1
37	KEY3310E	Key	3x3x10	1
40	LA-157	Feed Drive Gear		1
41	HA-041	Needle Bearing		1
42	LA-168	Bushing		1
43	LA-139	Worm		1
44	LA-138	Feed Worm Shaft Bushing		1
47	LA-137	Bevel Gear Thrust Spacer		1
48	LA-134	Bushing		2
49	LA-135	Feed Reverse Bevel Gear		2
50	LA-136	Feed Reverse Clutch		1
55	LA-132	Reverse Clutch Rod		1
56	HA-056	Spring Pin	3x20	1
57	LA-133	Feed Worm Shaft		1
59	HA-059	Spring Pin	3x12	2
60	LA-150	Feed Shift Rod		1
61	TS-1522031	Set Screw	M5x10	1
62	HA-062	Key	3x3x15	1
63	LA-149	Feed Gear Shift Fork		1
64	JTM1050VSE-64	Cluster Gear Shift Crank	ISO40	1
66	JTM1050VSE-66	Cluster Gear Cover	ISO40	1
67	TS-1504011	Hex Socket Cap Screw	M8x10	4

Index No.	Part No.	Description	Size	Qty.
68	TS-1524011	Set Screw	M8x8	1
69	HB1291	Lock Washer		1
70	JTM1050VSE-70	Snap Ring	ISO40	1
71	HA-193	Spring	10x20	1
72	JTM1050VSE-72	Quill Housing	ISO40	1
73	TS-1502081	Hex Socket Cap Screw	M5x35	2
74	LA-081	Clutch Ring Pin		2
75	LA-080	Clutch Ring		1
76	TS-1524011	Set Screw	M8x8	2
77	LB-017	Plastic Ball		1
78	LA-082	Overload Clutch Lockout		1
79	JTM1050VSE-79	Safety Clutch Spring	ISO40	1
80	LA-084	Overload Clutch		1
81	JTM1050VSE-81	Overload Clutch Sleeve	ISO40	1
82	LA-090	Key		1
83	TS-1532052	Pan Head Machine Screw	M4x16	3
84	LA-105	Handle		1
85	TS-1523031	Set Screw	M6x10	2
86	LA-019	Worm Shaft		1
87	LA-173	Set Screw		1
88	LA-169	Spring		1
89	LA-089	Spring Plunger		1
90	JTM1050VSE-90	Pinion Shaft Bushing	ISO40	1
91	LA-122	Spacer		1
92	LA-087	Overload Clutch Worm Gear		1
93	LA-086	Overload Clutch Ring		1
94	HA-094	Snap Ring		1
95	LA-018	Worm Gear		1
96	JTM1050VSE-96	Trip Lever	ISO40	1
97	LA-078	Washer		1
98	HA-098	Snap Ring		1
99	LA-076	Clutch Arm Cover		1
100	TS-1523051	Set Screw	M6x10	1
101	HA-101	Locknut		1
102	LA-077	Pin		3
103	JTM1050VSE-103	Cam Rod	ISO40	1
104	LA-100	Trip Handle		1
105	LA-124	Screw		1
106	LA-09209	Feed Trip Bracket		1
107	TS-1503051	Hex Socket Cap Screw	M6x20	2
108	LA-114	Reverse Knob		1
112	HA-11	Plunger		1
109	HA-1	Key	3x3x10	1
110	LA-130	Feed Reverse Knob Stud		1
111	LA-131	Snap Ring		1
113	LA-129	Hand wheel Clutch		1
114	SB-3/16	Steel Ball	3/16	2
115	HA-115	Spring		2
116	LA-113	Lever		1
117	HA-117	Spring Pin		1
118	JTM1050VSE-118	Cam Rod Sleeve Assembly	ISO40	1
119	TS-1523011	Set Screw	M6x6	2
120	TS-0680061	Washer	1/2	4
121	LA-095	Trip Plunger		1
122	JTM1050VSE-122	Clock Spring	ISO40	1
123	LA-121	Bushing		1

Index No.	Part No.	Description	Size	Qty.
124	LA-097	Feed Trip Plunger		1
125	LA-126	Hand wheel		1
126	LA-125	Handle		1
127	JTM1050VSE-127	Spindle	ISO40	1
128	JTM1050VSE-128	Quill Skirt	ISO40	1
129	JTM1050VSE-129	Lock Nut	ISO40	1
130	JTM1050VSE-130	Spring Cover	ISO40	1
131	BB-6008ZZ	Ball Bearing	ISO40	1
132	LA-104	Hub Sleeve		1
	LA-102/3	Clock Spring Assembly		1
133	JTM1050VSE-133	Nose Piece	ISO40	1
134	JTM1050VSE-134	Spindle Shield	ISO40	1
135	BB-7210C	Ball Bearing	ISO40	2
136	JTM1050VSE-136	Bearing Spacer (large)	ISO40	1
137	JTM1050VSE-137	Bearing Spacer (small)	ISO40	1
138	LA-106	Hub		1
139	TS-0270021	Set Screw	5/16x1/4	1
140	LA-172	Set Screw		1
141	LA-107	Pinion Shaft Hub		1
142	JTM1050VSE-142	Quill	ISO40	1
143	TS-154021	Hex Nut	M4	1
144	TS-1521071	Set Screw	M4x20	1
145	LA-098	Feed Trip Lever		1
146	LA-099	Trip Lever Pin		1
147	HA-171	Key		2
148	JTM1050VSE-148	Quill Lock Sleeve	ISO40	1
149	JTM1050VSE-149	Lock Handle	ISO40	1
150	HA-150	Screw	M5x10	2
151	LA-057	Felt Washer		1
152	LA-101A	Pin		1
153	JTM1050VSE-153	Quill Lock Sleeve	ISO40	1
154	JTM1050VSE-154	Quill Pinion Shaft	ISO40	1
155	JTM1050VSE-155	T-Bolt Assembly	ISO40	4
156	JTM1050VSE-156	Spacer	ISO40	4
157	JTM1050VSE-157	Lock Nut	ISO40	4
158	HA-158	Screw	M4x5	2
159	LA-118E	Micrometer Scale	Metric	1
160	LA-165A	Screw	3/8-24UNFx3/4	1
161	LA-115	Quill Micro-Stop Nut		1
162	LA-116E	Micrometer Nut	Metric	1
163	JTM1050VSE-163	Quill Stop Knob	ISO40	1
164	LA-112E	Quill Micro-Screw	Metric	1

Upper Head Assembly



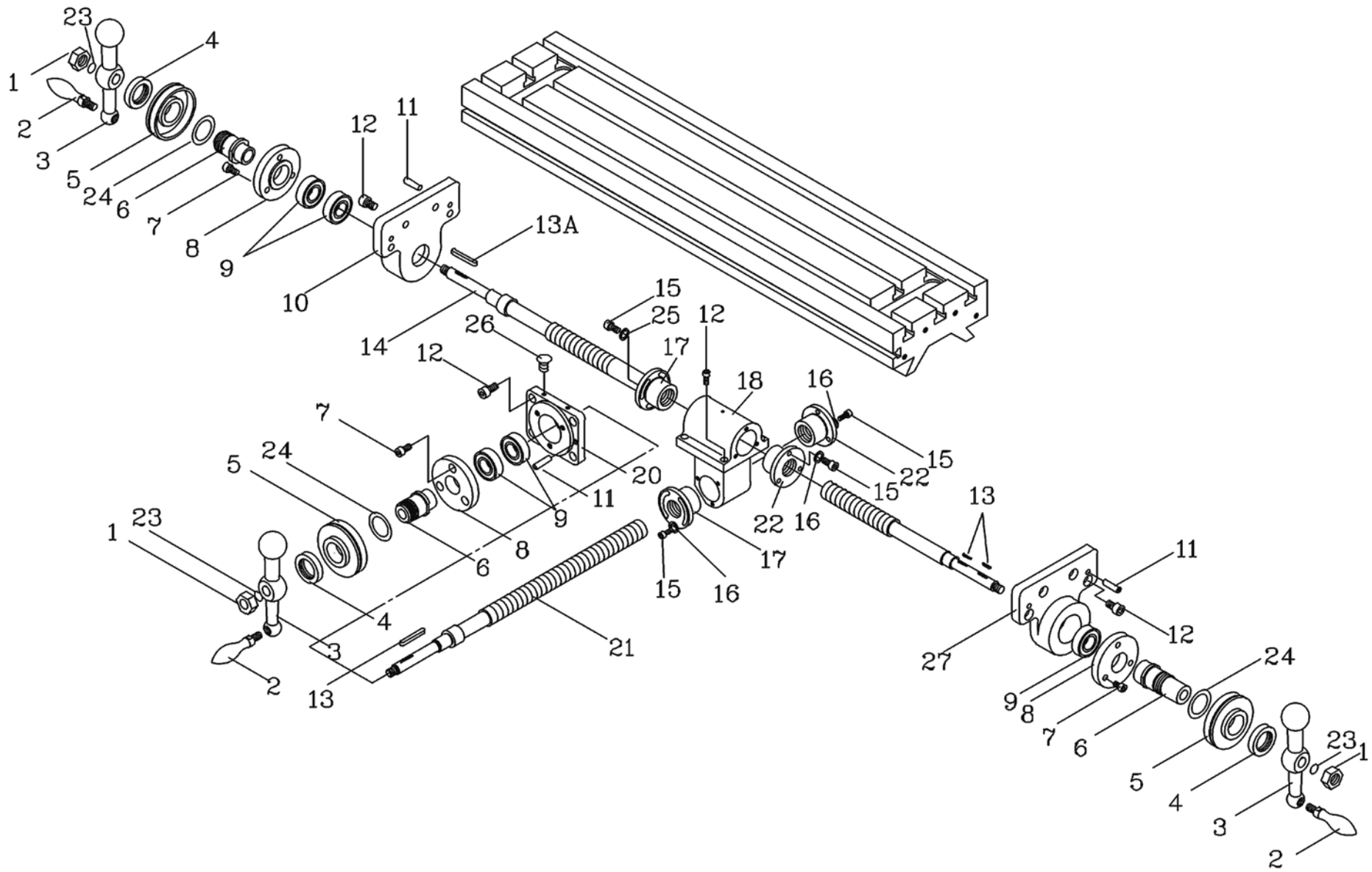
Upper Head Assembly

Index No.	Part No.	Description	Size	Qty.
1	JTM1050VSE-VS1	Upper Housing	ISO40	1
2	VS-002	Motor Pulley		1
	VS-044A	Motor Pulley Bushing (not shown)		1
3	TS-1523011	Set Screw	M6x6	4
4	VS-004	Belt		1
5	VS-005	Motor Pulley Disk		1
6	VS-006	Motor Pulley Shaft		1
7	KEY7725	Key	7x7x25	1
8	VS-008	Motor Pulley Spring		1
9	VS-009	Spring Stop Washer		1
10	BB-6206ZZ	Ball Bearing	6206ZZ	1
11	VS-011A	Motor Pulley Cover		1
12	TS-1502051	Hex Socket Cap Screw	M5x20	8
13	JTM1050VSE-VS13	Cover	ISO40	1
14	TS-1503041	Hex Socket Cap Screw	M6x16	10
15	BB-6009ZZ	Ball Bearing	6009ZZ(ISO40)	1
16	VS-016	Dial Cover		1
17	TS-1503071	Hex Socket Cap Screw	M6x30	4
18	TS-1523041	Set Screw	M6x16	2
19	VS-019	Bushing		1
20	VS-020	Bushing		1
21	VS-021	Worm		1
22	VS-022	Worm Gear		1
23	VS-023	Spring Pin	5x10	2
24	VS-024	Bushing		2
25	VS-025	Dial Control Shaft		1
26	VS-026	Spring Pin	3x12	1
27	VS-027	Dial Wheel		1
28	VS-028	Wheel Handle		1
29	VS-029	Shaft		1
30	VS-030	Spring Pin	4x16	2
31	VS-031	Spring Pin	3x25	1
32	VS-032	Speed Change Chain		1
33	VS-033	Adjustment Stud		1
34	VS-034	Sleeve Nut		1
35	VS-035	Adjustment Stud		1
36	VS-036	Tilter		1
37	VS-037	Bushing		2
38	KEY6645	Key	6x6x45	1
39	VS-039	Regulating Screw		1
40	VS-040	Spring Pin	3/32x3/4	1
41	VS-041	Washer		1
42	JTM1050VSE-VS42	Support	ISO40	1
43	BB-6012VV	Ball Bearing	ISO40	2
44	JTM1050VSE-VS44	Driven Pulley Assembly	ISO40	1
45	VS-045N	Steady Pulley		1
46	VS-046	Bearing Cover		1
47	VS-047	Brake Lining		1
48	VS-048	Lock Screw		1
49	VS-049	Brake Spring		2
50	JTM1050VSE-VS50	Lower Housing Cover	ISO40	1
51	TS-1504031	Hex Socket Cap Screw	M8x20	4
52	VS-052	Brake Shaft Sleeve		1

Index No.	Part No.	Description	Size	Qty.
53	VS-053	Brake Lock Shaft		1
54	VS-054	Brake Lock Block		1
55	TS-1503061	Hex Socket Cap Screw	M6x25	1
56	VS-056	Brake Lock Handle		1
57	VS-057	Plastic Ball		2
58	VS-058	Brake Finger Pivot Stud		1
59	VS-059	Brake Stud		2
60	VS-060	Snap Ring	S-8	2
61	TS-0561072	Nut	5/8-18UNF	1
62	VS-062	Timing Belt Pulley		1
63	VB225L100	Belt		1
64	VS-064	Bearing Retainer		1
65	BB-6203ZZ	Ball Bearing	6203ZZ	2
66	VS-066	Bull Gear		1
67	VS-067	Counter Shaft		1
68	VS-068	Key	5X5X15	1
69	VS-069	Key	5x5x18	1
70	JTM1050VSE-VS70	Spindle Pulley Hub	ISO40	1
71	VS-071	Key	8x7x24	1
72	VS-072	Key	8x7x12	1
73	JTM1050VSE-VS73	Spindle Gear Hub	ISO40	1
74	JTM1050VSE-VS74	Spindle Gear	ISO40	1
75	JTM1050VSE-VS75	Rack Cup	ISO40	1
76	JTM1050VSE-VS76	Washer	ISO40	1
77	BB-6910ZZ	Ball Bearing	6910ZZ(ISO40)	2
78	JTM1050VSE-VS78	Bearing Washer	ISO40	1
79	JTM1050VSE-VS79	Bearing Washer	ISO40	1
80	JTM1050VSE-VS80	Snap Ring	ISO40	1
81	JTM1050VSE-VS81	Nut	ISO40	1
82	JTM1050VSE-VS82	Lower Housing	ISO40	1
83	JTM1050VSE-VS83	Fixed Clutch Bracket	ISO40	1
84	VS-084	Spring		3
85	VS-085	Stud		3
86	TS-1506021	Hex Socket Cap Screw	M12x25	3
87	JTM1050VSE-VS87	Gear Shift Pinion	ISO40	1
88	VS-088	Pin		1
89	VS-089	Detent Plate		1
90	VS-090	Detent Washer		1
91	VS-091	Spring		1
92	VS-092	Pinion Block		1
93	TS-1503011	Hex Socket Cap Screw	M5x14	2
94	VS-094	Pinion Crank		1
95	VS-095	Cap Nut		1
96	TS-0561031	Hex Nut	3/8	1
97	JTM1050VSE-VS97	Snap Ring	ISO40	1
98	VS-098	Wave Washer		1
99	VS-099	Plastic Ball		1
100	JTM1050VSE-VS100	Snap Ring	ISO40	1
101	VS-101B	Cover		2
102	VS-102	Spring Shaft		3
103	JTM1050VSE-VS103	Washer	ISO40	1
104	VS-104	Copper Washer		2
105	VS-105	Screw	1/4x3/8	8
106	VS-107	Shaft		1
107	TS-1504061	Hex Socket Cap Screw	M8x30	1
108	VS-120	Key	6x4x32	2

Index No.	Part No.	Description	Size	Qty.
109	JTM1050VSE-VS109	Lock Washer	ISO40	1
110	TS-1540041	Hex Nut	M6	1
111	TS-0209051	Hex Socket Cap Screw	3/8x1	4
112	JTM1050VSE-VS112	Motor	5HP 400V 50HZ	1
113	VS-113	Oval Head Screw	1/8x1/4	4
114	JTM1050VSE-VS114	Draw Bar	ISO40(M16)	1
115	JTM1050VSE-VS115	Draw Bar Washer	ISO40(M16)	1
116	VS-116	Key		1
117	VS-117	Oval Head Screw	3/16x1/2	1
118	VS-007	Snap Ring		4
119	VS-005A	Plastic Sleeve		2
120	JTM4VSD-120	Speed Chart		1
121	JTM4VSD-121	Pan Head screw	M4	4
122	JTM4VSD-122	Sensor Block		1
123	TS-1521041	Set Screw	M4X10	1

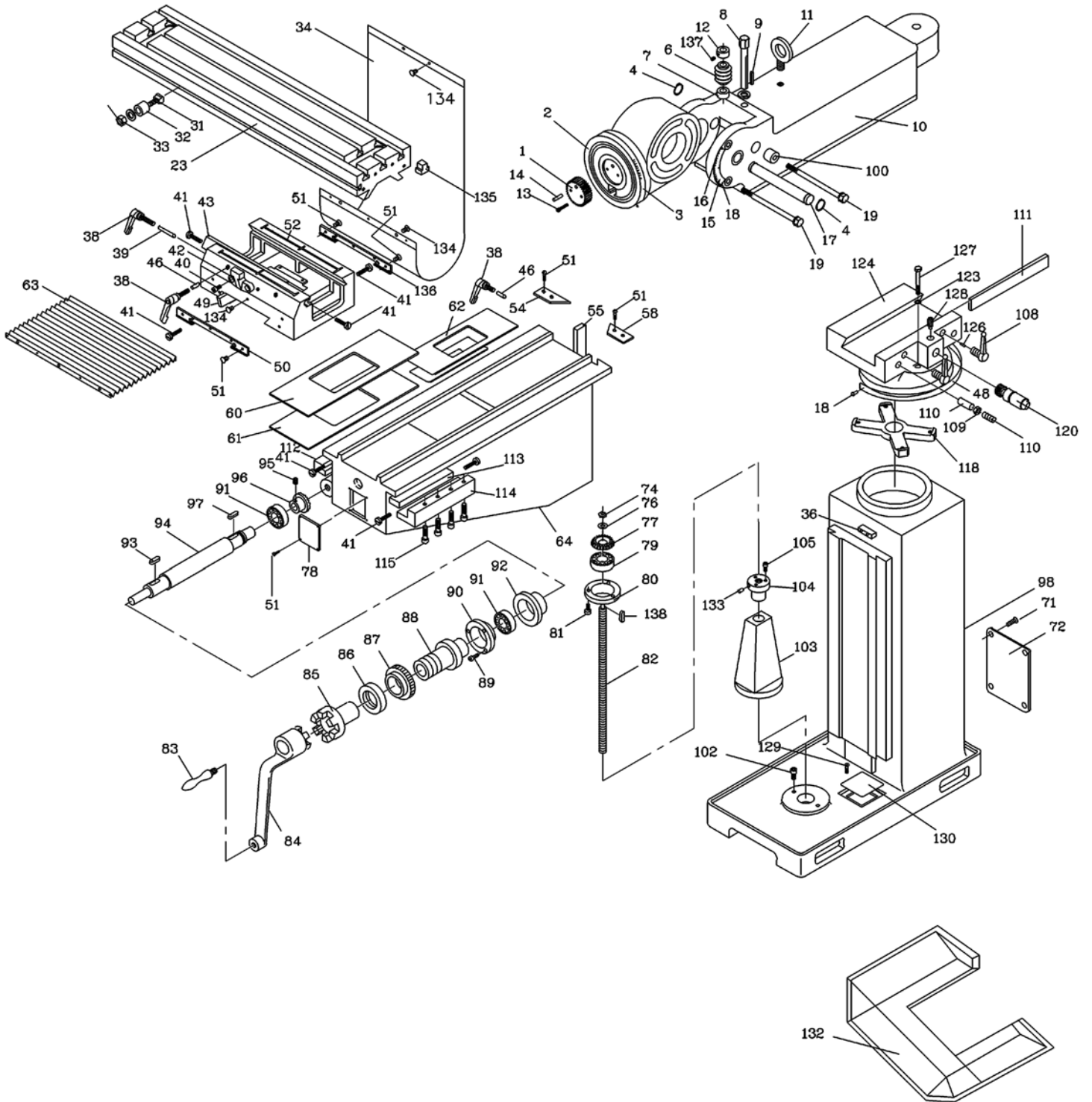
Lead Screw Assembly



Leadscrew Assembly

Index No.	Part No.	Description	Size	Qty.
1	D-1	Nut	1/2"-20NF	3
2	D-2	Handle		3
3	D-3	Ball Crank		3
4	D-4	Dial Lock Nut		3
5	D-5	Dial		3
6	D-6	Dial Holder		3
7	TS-1503031	Hex Socket Cap Screw	M6*12	9
8	D-90	Bearing Stop		3
9	BB-6204ZZ	Ball Bearing	6204ZZ	5
10	D-10	Bearing Bracket		2
11	D-11	Spring Pin	5*25	6
12	TS-1505031	Hex Socket Cap Screw		16
13	KEY3325	Key	3*3*25	2
13A	KEY3318	Key	3*3*18	1
14	D-14	Leadscrew		1
15	TS-1503061	Hex Socket Cap Screw		8
16	H-9	Washer		4
17	D-17	Feed Screw Nut		2
18	D-18	Feed Nut Bracket		1
20	D-20	Cross Bearing Bracket		1
21	D-21	Cross Feed Screw		1
22	D-22	Cross Feed Nut		2
23	D-23	Spring Washer	1/2"	3
24	D-24	Washer		3
25	D-25	Spring Washer		2
26	D-26	Screw		2
27	D-27	Bracket		1

Base Assembly

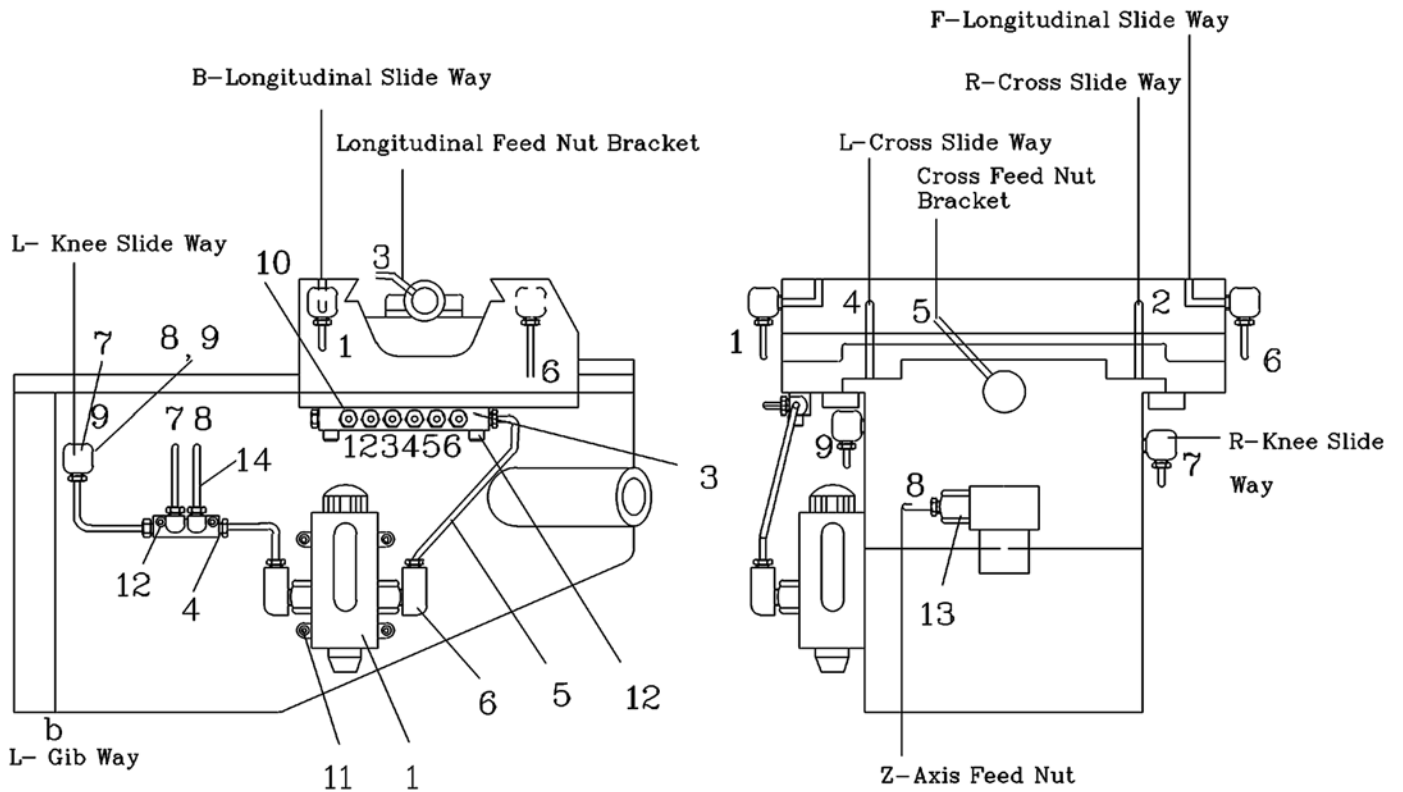


Base Assembly

Index No.	Part No.	Description	Size	Qty.
1	1050C-1	Worm Washer		1
2	1050C-2	Ram Adapter		1
3	1050C-3	Adapter Scale		1
4	1050C-4	Lock Nut		1
6	1050C-6	Worm Gear		1
7	1050C-12	Collar		1
8	1050C-8	Worm Shaft		1
9	KEY5550	Key	5*5*50	1
10	1050C-10	Ram		1
11	1050C-11	Hook	M20	1
12	C-7-1	Washer		1
13	TS-1504061	Hex Socket Cap Screw	M8*30	2
14	1050C-14	Spring Pin		1
15	1050C-15	Angle Plate		1
16	1050C-16	Rivet		10
17	1050C-17	Adapter Pivot Stud		1
18	C-18	Washer		3
19	C-19	Locking Bolt		3
23	C-23	Table		1
31	C-31E	T-Bolt	M10	2
32	C-32	Table Stop Piece		2
33	C-33E	Hex Nut	M10	2
34	C-34	Chip Guard		1
36	C-36E	Pan Head Screw	M6X12	4
38	C-38A	Saddle Lock Bolt	M12	5
39	C-39	Saddle Lock Plunger		1
40	C-40	Hex Socket Cap Screw		2
41	C-41E	Adjusting Screw	M8X35L	10
42	C-42	Table Stop Bracket		1
43	C-43	Gib		1
46	C-46	Table Lock Plunger		4
49	C-49	Saddle Knee Gib		1
50	C-50-1	Wiper		2
51	C-51	Pan Head Screw	M5	18
52	C-52	Sadle		1
54	C-54	Knee Wiper Felt		1
55	C-55	Knee Column Gib		1
58	C-58	Knee Wiper Felt		1
60	C-60	Chip Guards		1
61	C-61	Chip Guards		1
62	C-62	Chip Guards		1
63	C-63	Chip Guards		1
64	C-64	Knee		1
71	C-71E	Pan Head Screw	M6X12	8
72	C-72	Cover		1
73	C-23-1	Washer		1
74	C-74	Nut	1/2"-20NF	1
75	KEY5525	Key	5*5*25	1
76	C-76	Washer		1
77	C-77	Bevel Gear		1
78	C-78	Front Cover		1
79	3305	Ball Bearing	3305	1

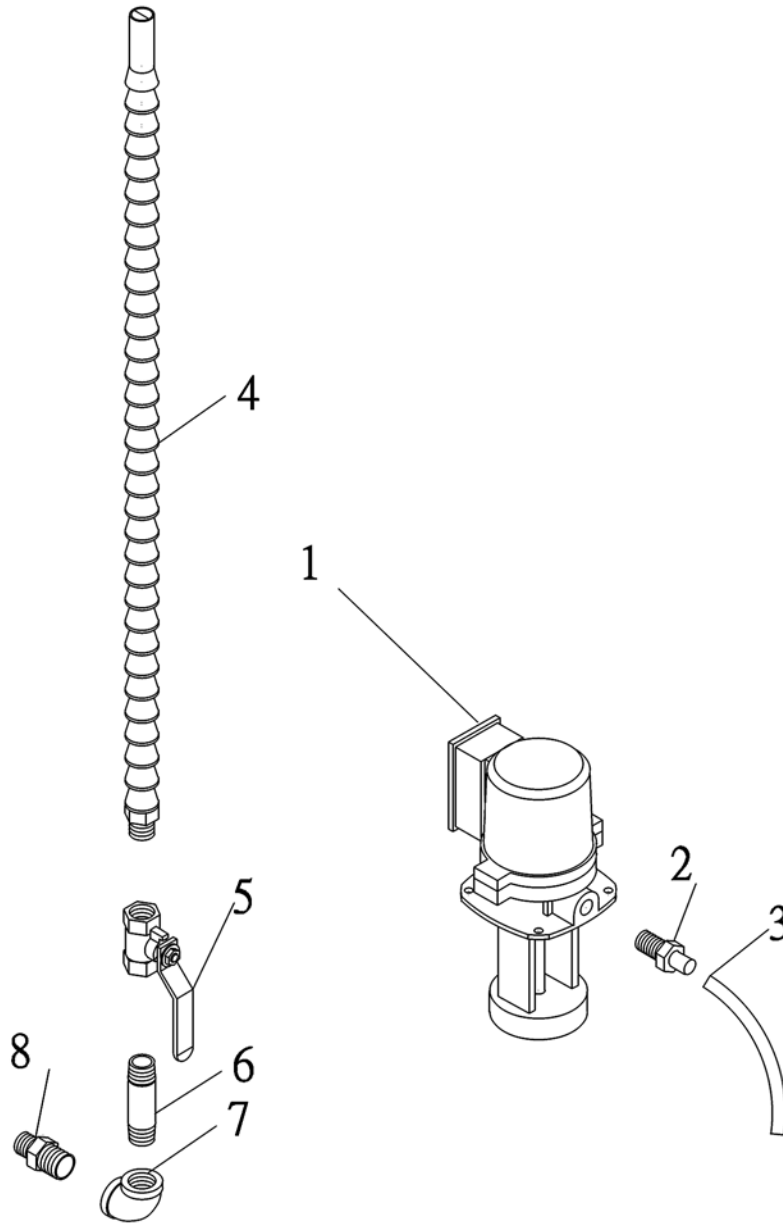
Index No.	Part No.	Description	Size	Qty.
80	C-80	Bearing Stop		1
81	TS-1503051	Hex Socket Cap Screw	M6X20	3
82	C-82	Leadscrew	Metric	1
83	C-53	Handle		1
84	C-54	Elevating Crank		1
85	C-85	Gear Shear Clutch		1
86	C-86	Dial Lock Nut		1
87	C-87	Dial		1
88	C-88	Dial Holder		1
89	TS-1503051	Hex Socket Cap Screw	M6*20	3
90	C-90	Bearing Stop		1
91	BB-6204ZZ	Ball Bearing	6204ZZ	2
92	C-92	Bearing Stop		1
93	KEY3318	Key	3*3*18	1
94	C-94	Shaft		1
95	C-95	Grub Set Screw		1
96	C-96	Bevel Gear		1
97	KEY4418	Key	4*4*18	1
98	C-98	Column		1
100	C-19-1	Collar		1
102	TS-1505051	Hex Socket Cap Screw	M10*35	3
103	C-103	Lead Screw Housing		1
104	C-82-1	Lead Screw Nut		1
105	TS-1503051	Hex Socket Cap Screw	M6*20	3
108	C-38A	Lock Bolt	M12	2
109	C-109	Nut	M10	2
110	C-110	Set Screw		2
111	C-111	Gib		1
112	C-112	Gib Holder(l)		1
113	C-113	Gib		1
114	C-114	Gib Holder(R)		1
115	TS-1505051	Hex Socket Cap Screw	M10*35	8
118	C-118	Spider		1
120	C-120	Ram Pinion	16T	1
123	C-123	Spring Wsher		4
124	C-124	Turret		1
126	C-126	Ram Lock Plunger		2
127	C-127	Locking Bolt	M12X185L	4
128	C-128	Ram Pinion Set Screw	M8	1
129	C-129	River	M5X12	2
130	C-130	Strainer		1
131	JM-1050	Stripe Decal(not shown)		1
132	C-132	Chip Pan		1
133	JTM1050VSE-133	Oil Plug		1
134	JTM1050VSE-134	Pan head screw		6
135	JTM1050VSE-135	T-Nut Rubber		6
136	JTM1050VSE-136	Wiper		1
137	JTM1050VSE-137	Set Screw	M6X6	1
138	JTM1050VSE-138	Key	5X5X25	1

One Shot Lubrication System



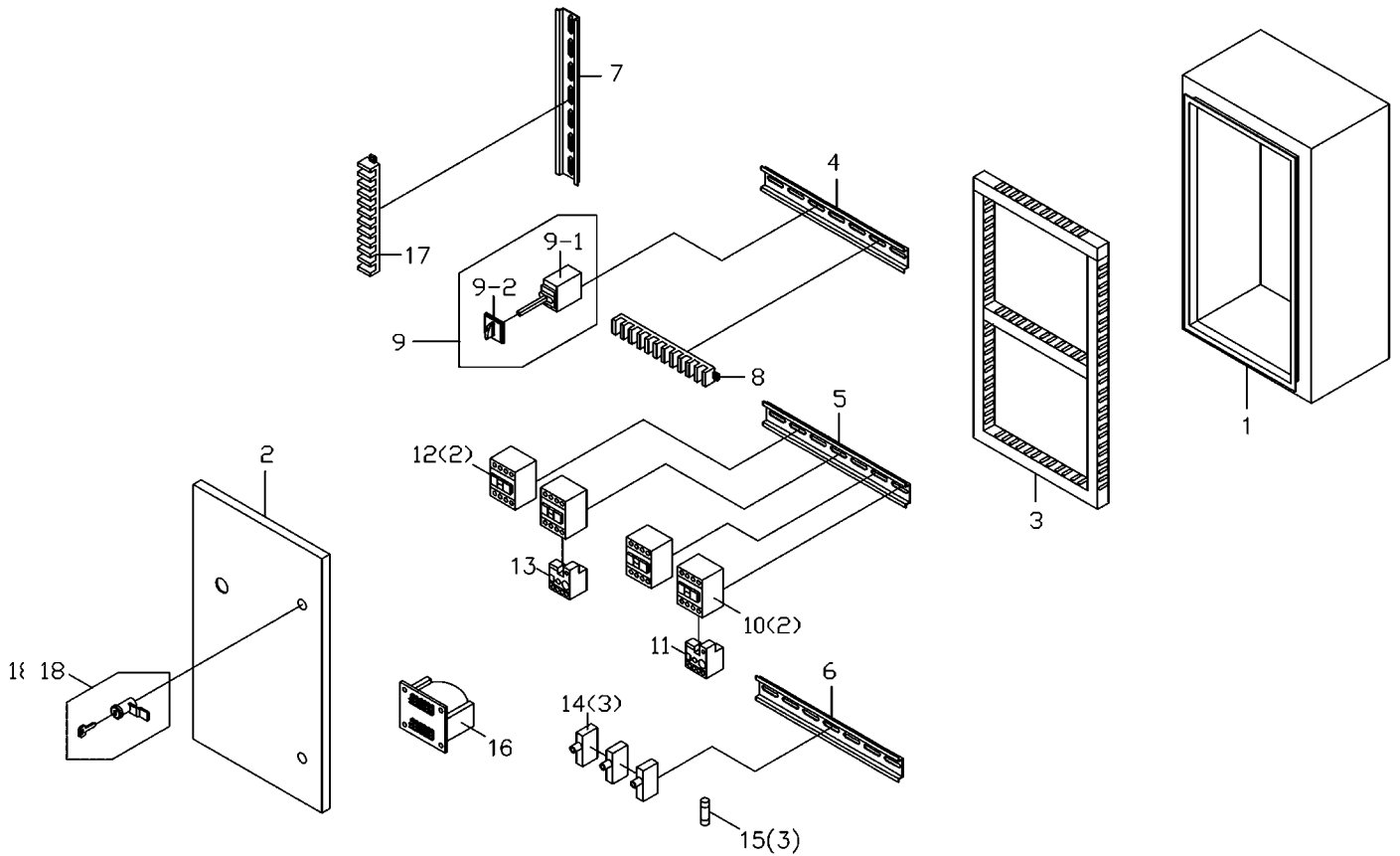
Index No.	Part No.	Description	Size	Qty.
1	CLA-8	Hand Oiler		1
2	ALMP-04	Aluminum Pipe	13.5	1
3	A-8	Oil Regulating Distributor		1
4	A-4	Oil Regulating Distributor		1
5	A-5	Flexible Steel Tube	4x550	1
6	PH-4011	Elbow Joint		2
7	PA-401	Elbow Joint		6
8	PA-4	Thimble Nut		20
9	PB-4	Thimble		20
10	PG-004	Union		1
11	JTM4VS-BUTW1458	Screw	M6 x14	4
12	TS-1502061	Hex Socket Cap Screw	M5 x 25	4
13	PD-401	Straight Joint		1
14	A-14	Nylon Piece	4x700	1

Coolant Pump Assembly



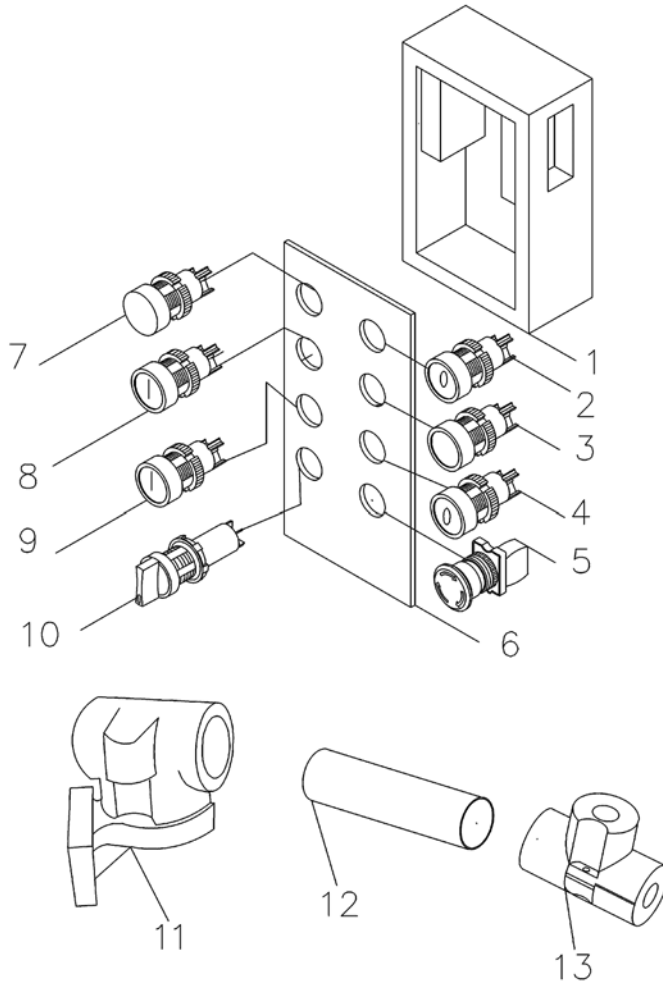
Index No.	Part No.	Description	Size	Qty.
1	JVM836VSD-P01E	Coolant pump	400V,50Hz	1
2	JVM836VSD-CP-4	Connect Elbow		1
3	JVM836VSD-CP-5	Hose		1
4	JVM836VSD-CP-6	Nozzle		1
5	JVM836VSD-CP-7	Valve		1
6	JVM836VSD-CP-8	Extend Elbow		1
7	JVM836VSD-CP-9	90° Joint		1
8	JVM836VSD-CP-10	Connect Elbow		1

Electrical Box Assembly



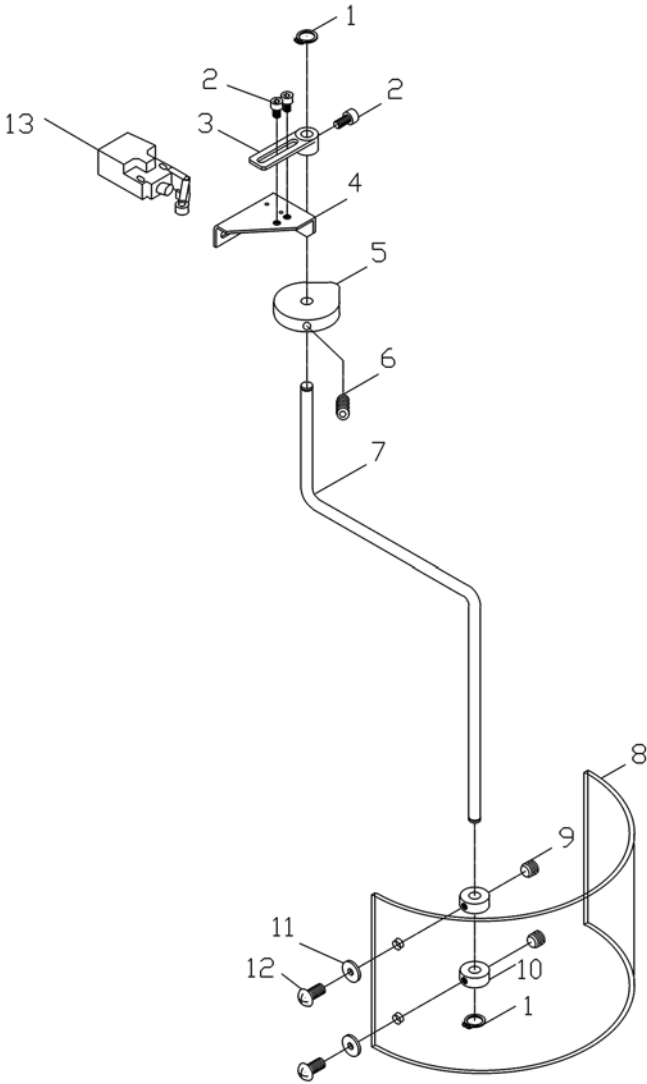
Index No.	Part No.	Description	Size	Qty.
1	JTM4VSE-EB-1E	Electrical Box Base		1
2	JTM4VSE-EB-2E	Electrical Box Cover		1
3	JTM4VSE-EB-3E	Wire Cover		1
4	JTM4VSE-EB-4E	Bracket (upper)		1
5	JTM4VSE-EB-5E	Bracket (middle)		1
6	JTM4VSE-EB-6E	Bracket (lower)		1
7	JTM4VSE-EB-7E	Bracket (right)		1
8	JTM4VSE-EB-8E	Terminal		1
9	JTM4VSE-EB-9E	Door Switch Assembly		1
9-1	JTM4VSE-EB-9-1E	Door Switch		1
9-2	JTM4VSE-EB-9-2E	Door Switch Knob		1
10	JTM4VSE-EB-10E	Contactor (Motor)		2
11	JTM4VSE-EB-11E	Overload (Motor)		1
12	JTM4VSE-EB-12E	Contactor (Pump)		2
13	JTM4VSE-EB-13E	Overload (Pump)		1
14	JTM4VSE-EB-14E	Fuse Bracket		3
15	JTM4VSE-EB-15E1	Fuse (Transformer)	2A	1
	JTM4VSE-EB-15E2	Fuse (Power Feed)	5A	1
	JTM4VSE-EB-15E3	Fuse (Control Circuit)	3A	1
16	JTM4VSE-EB-16E	Transformer		1
17	JTM4VSE-EB-1AE	Terminal		1
18	JTM4VSE-EB-18E	Lock w/ Key		2

Operation Panel Assembly



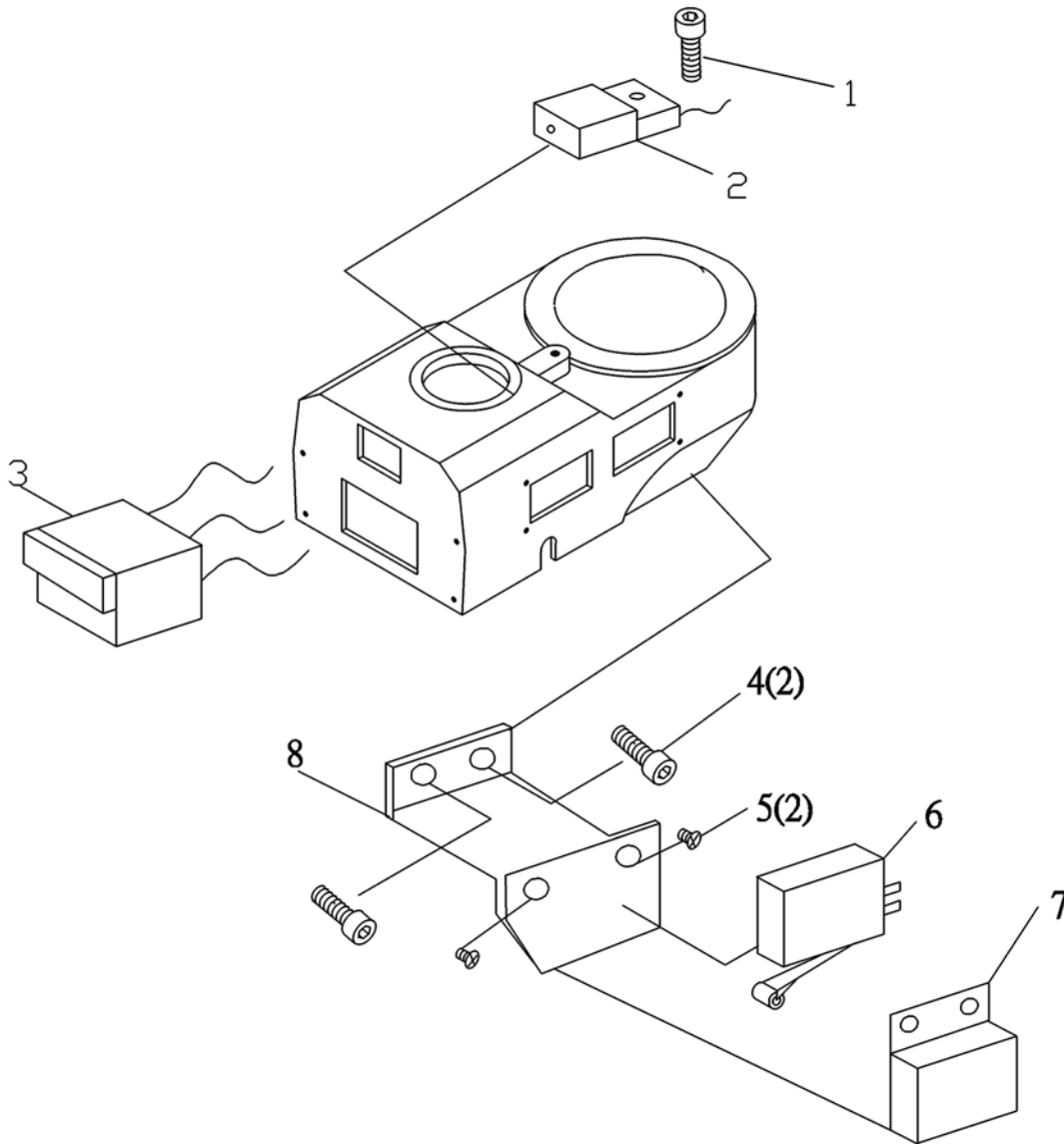
Index No.	Part No.	Description	Size	Qty.
1	JTM4VSE-OP-1E	Operation Box		1
2	JTM4VSE-OP-2E	Spindle Stop Switch		1
3	JTM4VSE-OP-3E	Reverse Switch		1
4	JTM4VSE-OP-4E	Power Feed Stop Switch		1
5	JTM4VSE-OP-5E	Emerge Stop Switch		1
6	JTM4VSE-OP-6E	Panel		1
7	JTM4VSE-OP-7E	Power Light		1
8	JTM4VSE-OP-8E	Forward Switch		1
9	JTM4VSE-OP-9E	Power Feed Start Switch		1
10	JTM4VSE-OP-10E	Coolant Pump Switch		1
11	JTM4VSE-OP-11E	Bracket		1
12	JTM4VSE-OP-12E	Support Rod		1
13	JTM4VSE-OP-13E	Bracket		1

Swing Away Safety Shield Assembly



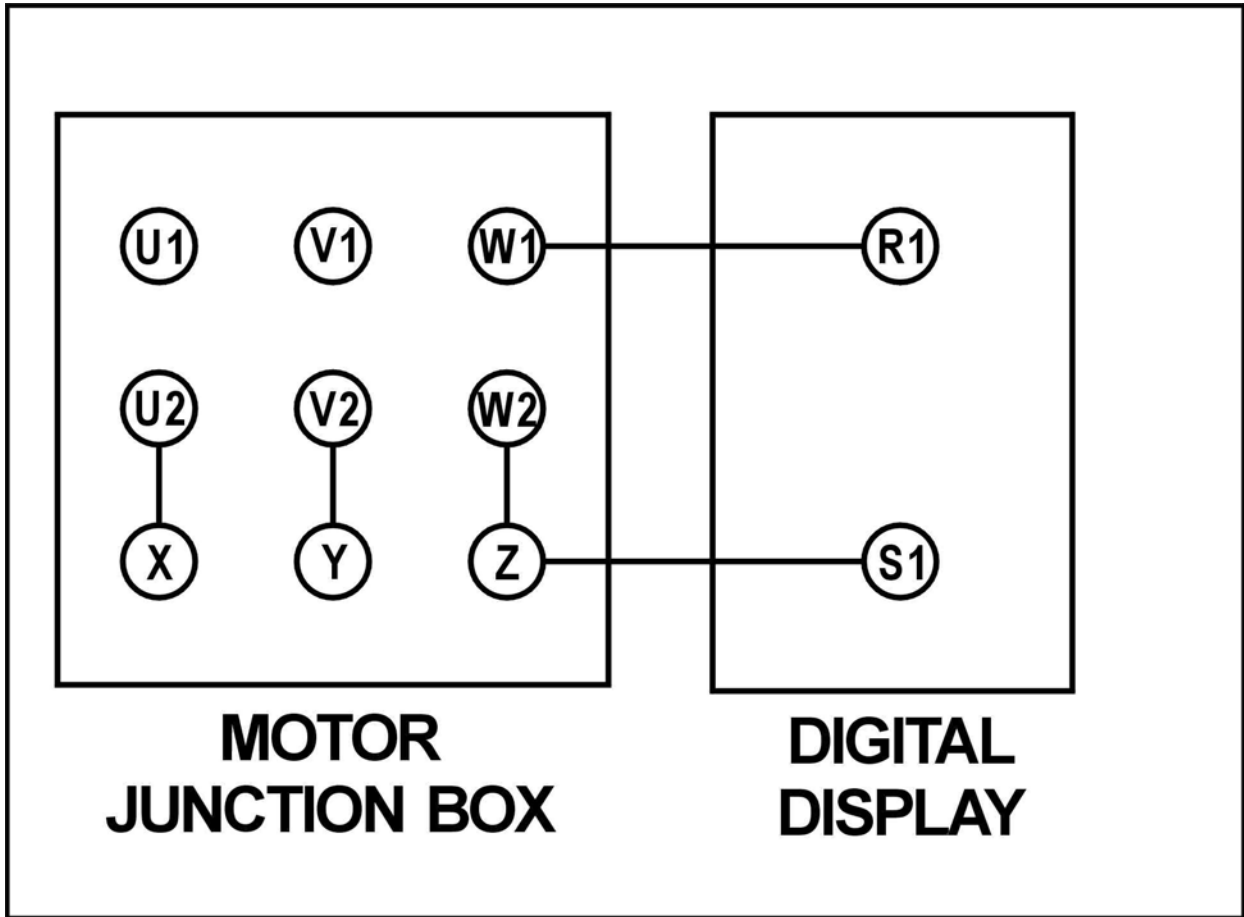
Index No.	Part No.	Description	Size	Q'ty
1	JVM836VSD-SG-01	C-Clip		2
2	JVM836VSD-SG-02	Hex Socket Cap Screw	M8	3
3	JVM836VSD-SG-03	Adjusting Bracket		1
4	JVM836VSD-SG-04	Support Bracket		1
5	JVM836VSD-SG-05	Turning Bracket		1
6	JVM836VSD-SG-06	Set Screw	M8	1
7	JVM836VSD-SG-07	Turning Rod		1
8	JVM836VSD-SG-08	Clear Plastic Cover		1
9	JVM836VSD-SG-09	Set Screw	5/16"	2
10	JVM836VSD-SG-10	Collar		2
11	JVM836VSD-SG-11	Flat Washer	ø25xt3mm	2
12	JVM836VSD-SG-12	Cross Round Screw	5/16"	2
13	JVM836VSD-SG-13	Limit Switch		1

Digital Read Out Assembly



Index No.	Part No.	Description	Size	Q'ty
1	TS-1501041	Hex. Socket Cap Screw	M4x12	1
2	JVM836VSD-DRO-2	Sensor		1
3	JVM836VSD-DRO-3	display		1
4	TS-1501041	Hex. Socket Cap Screw	M4x12	2
5	JVM836VSD-DRO-5	Pan Head Screw	M4x12	2
6	JVM836VSD-DRO-6	Limit Switch		1
7	JVM836VSD-DRO-7	Protecting Cover		1
8	JVM836VSD-DRO-8	Limit Switch Bracket		1

Digital Read Out Wiring Schematics



JTM-1050VS

50000111T

	colour of strands	Litzenfarben	couleur des cordons
BK	black	schwarz	noir
WH	white	weiß	blanc
BU	blue	blau	bleu
YE	yellow	gelb	jaune
RD	red	rot	rouge
BN	brown	braun	brun
GY	grey	grau	gris
GNYE	green-yellow	grün-gelb	vert-jaune
OG	orange	orange	orange
VT	violet	violett	violet

	meaning of symbol	Bedeutung der Zeichen	interprétation
M1	main motor	Hauptmotor	moteur principal
M2	pump motor	Kühlmittelmotor	moteur pompe
PF	powerfeed	Vorschub	avance automatique
QS1	door switch	Türschalter	Interrupteur de port
SB1	emergency stop switch	Not-Aus Schalter	arrêt d'urgence
SB2	off switch	Aus-Schalter	bouton arrêt
SB3	forward switch	Schalter Rechtslauf	bouton a droite
SB4	reverse switch	Schalter Linkslauf	bouton a gauche
SA1	pump switch	Kühlmittel-Schalter	commutateur pompe
SB7	powerfeed on	Vorschub-EIN	marche d'entraîneur
SB8	powerfeed off	Vorschub-AUS	arrêt d'entraîneur
KM1	contactor for forward	Schütz Rechtslauf	contacteur a droite
KM2	contactor for reverse	Schütz Linkslauf	contacter a gauche
KM3	contactor for coolant pump	Kühlmittel Hauptschütz	contacteur pompe
KM6	contactor for powerfeed	Schütz Vorschub	Contacteur entraîneur
OL	overload cut-off	Überlastschuttschalter	déclencheur surcharge
LS	limit switch	Positionsendschalter	micro
TR	transformer	Transformator	transformateur
F	fuse	Sicherung	fusible
L	indicator lamp	Anzeigenlampe	lampe d'indication

400/50/3

