

JET

JTM-1360VSE

**Универсальный
фрезерный станок**

50000650T...380/50/3

Список деталей

WMH Tool Group AG

Bahnstrasse 24,

CH – 8603 Schwerzenbach

www.wmhtoolgroup.ch

info@wmhtoolgroup.ch

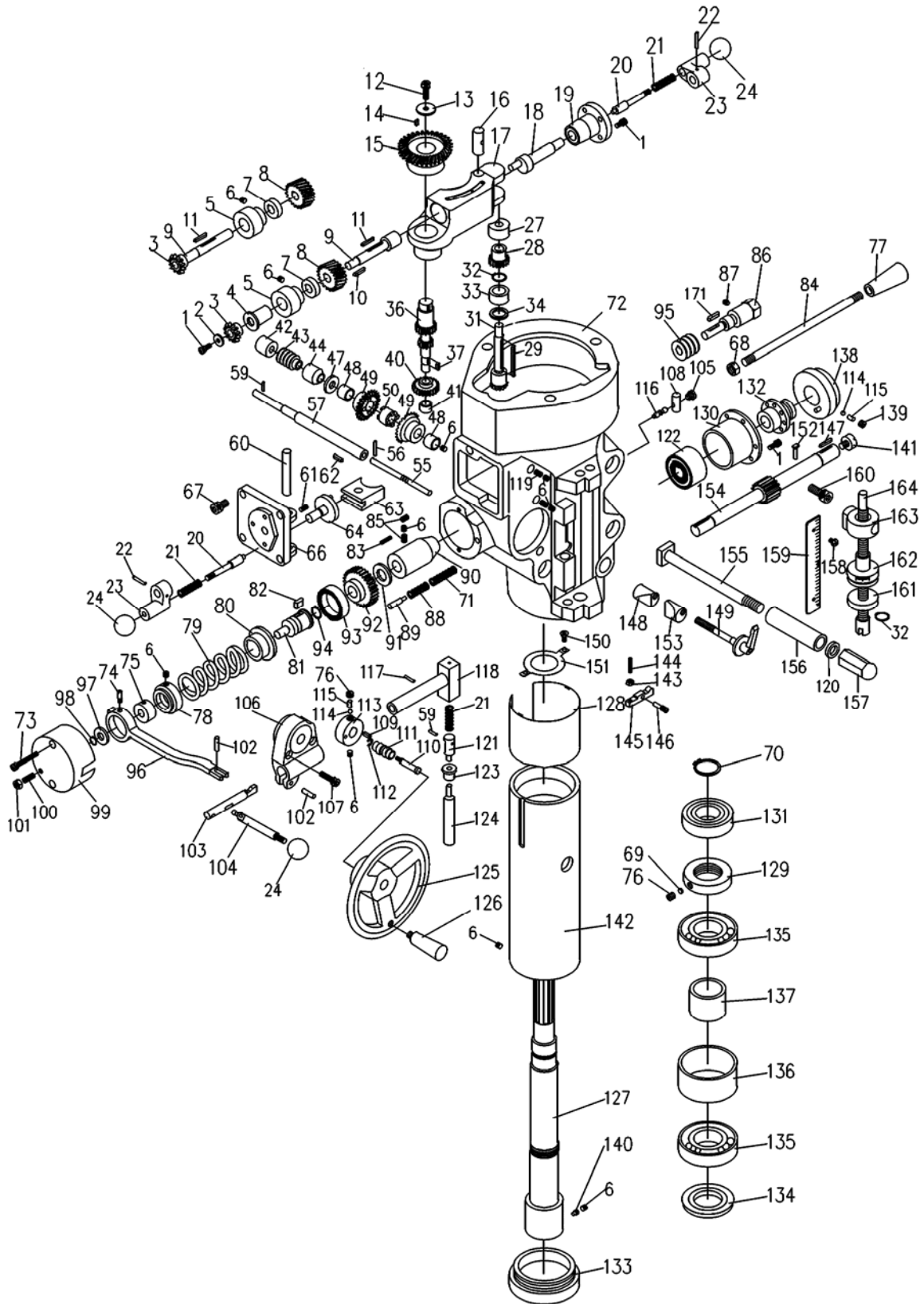
Tel +41 (0)44 806 47 48

Fax +41 (0) 44 806 47 58

P-50000650T...06/07



Монтажная схема: голова в сборе



Список деталей: голова в сборе

№	№ детали	обозначение	размер	кол-во
1	TS-1533042	Screw	M5x10	6
2	HA-002	Bevel Pinion Washer		1
3	LA-166A	Feed Gear		1
4	LA-161	Shaft Sleeve		1
5	LA-162	Worm Cradle Bushing		1
6	TS-1523011	Set Screw	M6x6	9
7	LA-163	Worm Gear Spacer		1
8	LA-164	Feed Drive Worm Gear		1
9	LA-165	Worm Gear Shaft		1
10	HA-010	Worm Shaft Key	3x3x8	1
11	KEY3320	Key	3x3x20	1
12	HA-012	Hex Socket Cap Screw	M6X16	1
13	WASM082302	Washer	ø6	1
14	HA-014	Cluster Gear Key	3x3x8.5	1
15	LA-154	Feed Reverse Bevel Gear		1
16	LA-167	Feed Engage Pin		1
17	LA-166	Worm Gear Cradle		1
18	LA-066	Cam Rod		1
19	LA-002	Shift Sleeve		1
20	LA-004	Plunger		2
21	LA-005	Spring		3
22	HA-022	Spring Pin	3x22	2
23	LA-033	Cam Rod		2
24	LA-006	Plastic Ball		3
27	LA-147	Upper Bushing		1
28	LA-144	Cluster Gear Assembly		1
29	HA-029	Cluster Gear Key	3x3x45	1
31	LA-143	Cluster Gear Shaft		1
32	HA-032	Snap Ring		2
33	LA-142	Bevel Gear Bushing		1
34	LA-141	Thrust Spacer		1
36	LA-156	Feed Drive Gear		1
37	KEY3310	Key	3x3x10	1
40	LA-157	Feed Drive Gear		1
41	HA-041	Needle Bearing		1
42	LA-168	Bushing		1
43	LA-139	Worm		1
44	LA-138	Feed Worm Shaft Bushing		1
47	LA-137	Bevel Gear Thrust Spacer		1
48	LA-134	Bushing		2
49	LA-135	Feed Reverse Bevel Gear		2
50	LA-136	Feed Reverse Clutch		1
55	LA-132	Reverse Clutch Rod		1
56	HA-056	Spring Pin	3x20	1
57	LA-133	Feed Worm Shaft		1
59	HA-059	Spring Pin	3x12	2
60	LA-150	Feed Shift Rod		1
61	TS-1522031	Set Screw	M5x10	1
62	HA-062	Key	3x3x15	1
63	LA-149	Feed Gear Shift Fork		1
64	LA-151	Cluster Gear Shift Crank		1
66	LA-148	Cluster Gear Cover		1
67	TS-1504011	Hex Socket Cap Screw	M8x10	4
68	TS-1524011	Set Screw	M8x8	1
69	HB1291	Lock Washer		1
70	RINS30	Snap Ring		1
71	HA-193	Spring	10x20	1

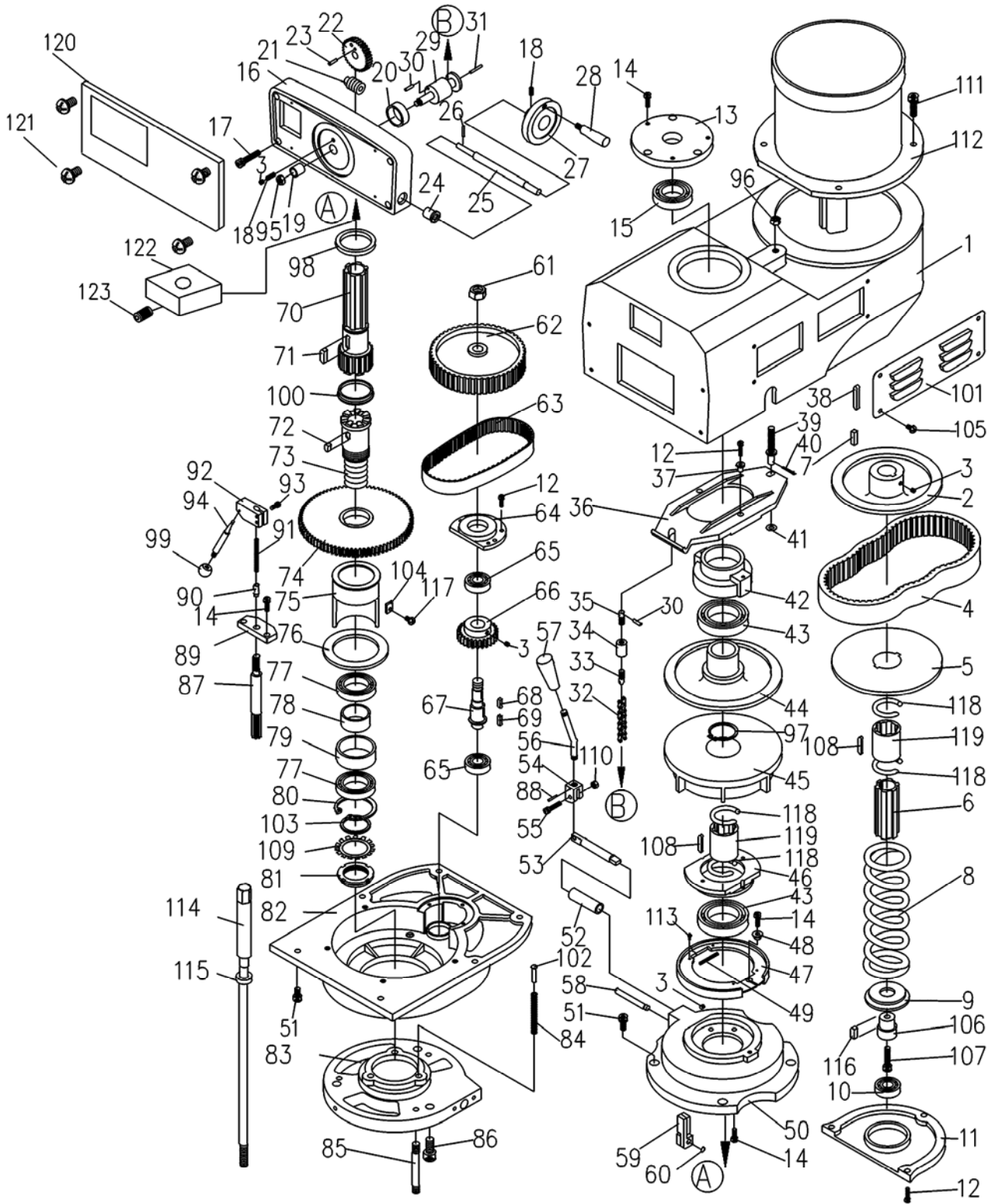
Список деталей: голова в сборе

№	№ детали	обозначение	размер	кол-во
72	LA-016	Quill Housing	105mm	1
73	TS-1502081	Hex Socket Cap Screw	M5x35	2
74	LA-081	Clutch Ring Pin		2
75	LA-080	Clutch Ring		1
76	TS-1524011	Set Screw	M8x8	2
77	LB-017	Plastic Ball		1
78	LA-082	Overload Clutch Lockout		1
79	LA-083	Safety Clutch Spring		1
80	LA-084	Overload Clutch		1
81	LA-085	Overload Clutch Sleeve		1
82	LA-090	Key		1
83	TS-1532052	Pan Head Machine Screw	M4x16	3
84	LA-105	Handle		1
85	TS-1523031	Set Screw	M6x10	2
86	LA-019	Worm Shaft		1
87	LA-173	Set Screw		1
88	LA-169	Spring		1
89	LA-089	Spring Plunger		1
90	LA-123	Pinion Shaft Bushing		1
91	LA-122	Spacer		1
92	LA-087	Overload Clutch Worm Gear		1
93	LA-086	Overload Clutch Ring		1
94	HA-094	Snap Ring		1
95	LA-018	Worm Gear		1
96	LA-079	Trip Lever		1
97	LA-078	Washer		1
98	HA-098	Snap Ring		1
99	LA-076	Clutch Arm Cover		1
100	TS-1523051	Set Screw	M6x10	1
101	HA-101	Locknut		1
102	LA-077	Pin		3
103	LA-091	Cam Rod		1
104	LA-100	Trip Handle		1
105	LA-124	Screw		1
106	LA-09209	Feed Trip Bracket		1
107	TS-1503051	Hex Socket Cap Screw	M6x20	2
108	LA-114	Reverse Knob		1
112	HA-11	Plunger		1
109	HA-1	Key	3x3x10	1
110	LA-130	Feed Reverse Knob Stud		1
111	LA-131	Snap Ring		1
113	LA-129	Hand wheel Clutch		1
114	SB-3/16	Steel Ball	3/16	2
115	HA-115	Spring		2
116	LA-113	Lever		1
117	HA-117	Spring Pin		1
118	LA-093	Cam Rod Sleeve Assembly		1
119	TS-1523011	Set Screw	M6x6	2
120	TS-0680061	Washer	1/2	4
121	LA-095	Trip Plunger		1
122	LA-102	Clock Spring		1
123	LA-121	Bushing		1
124	LA-097	Feed Trip Plunger		1
125	LA-126	Hand wheel		1
126	LA-125	Handle		1

Список деталей: голова в сборе

№	№ детали	обозначение	размер	кол-во
127.....	LA-050A.....	Spindle	NT40	1
128.....	LA-060	Quill Skirt.....		1
129.....	LA-048	Lock Nut		1
130.....	LA-103	Spring Cover		1
131.....	BB-6206ZZ.....	Ball Bearing.....		1
132.....	LA-104	Hub Sleeve.....		1
LA-102/3	Clock Spring Assembly		1
133.....	LA-051	Nose Piece		1
134.....	LA-052	Spindle Shield.....		1
135.....	BB-7207C	Ball Bearing.....		2
136.....	LA-054	Bearing Spacer (large)		1
137.....	LA-053	Bearing Spacer (small).....		1
138.....	LA-106	Hub.....		1
139.....	TS-0270021	Set Screw	5/16x1/4	1
140.....	LA-172	Set Screw		1
141.....	LA-107	Pinion Shaft Hub		1
142.....	LA-058	Quill		1
143.....	TS-154021	Hex Nut.....	M4	1
144.....	TS-1521071	Set Screw	M4x20	1
145.....	LA-098	Feed Trip Lever		1
146.....	LA-099	Trip Lever Pin		1
147.....	HA-171	Key		2
148.....	LA-111	Quill Lock Sleeve.....		1
149.....	LA-109	Lock Handle		1
150.....	HA-150	Screw	M5x10	2
151.....	LA-057	Felt Washer		1
152.....	LA-101A.....	Pin		1
153.....	LA-110	Quill Lock Sleeve.....		1
154.....	LA-101	Quill Pinion Shaft.....		1
155.....	LA-043	T-Bolt Assembly		4
156.....	LA-046	Spacer.....		4
157.....	LA-040	Lock Nut		4
158.....	HA-158	Screw	M4x5	2
159.....	LA-118	Micrometer Scale		1
160.....	LA-165A.....	Screw	3/8-24UNFx3/4	1
161.....	LA-115	Quill Micro-Stop Nut		1
162.....	LA-116	Micrometer Nut.....		1
163.....	LA-117E.....	Quill Stop Knob.....		1
164.....	LA-112	Quill Micro-Screw		1

Монтажная схема: верхняя голова в сборе



Список деталей: верхняя голова в сборе

№	№ детали	обозначение	размер	кол-во
1	VS-001	Upper Housing		1
2	VS-002	Motor Pulley		1
	VS-044A	Motor Pulley Bushing (not shown)		1
3	TS-1523011	Set Screw	M6x6	4
4	VS-004	Belt		1
5	VS-005	Motor Pulley Disk		1
6	VS-006	Motor Pulley Shaft		1
7	KEY7725	Key	7x7x25	1
8	VS-008	Motor Pulley Spring		1
9	VS-009	Spring Stop Washer		1
10	BB-6206ZZ	Ball Bearing	6206ZZ	1
11	VS-011A	Motor Pulley Cover		1
12	TS-1502051	Hex Socket Cap Screw	M5x20	8
13	VS-013	Cover		1
14	TS-1503041	Hex Socket Cap Screw	M6x16	10
15	BB-6007ZZ	Ball Bearing	6007ZZ	1
16	VS-016	Dial Cover		1
17	TS-1503071	Hex Socket Cap Screw	M6x30	4
18	TS-1523041	Set Screw	M6x16	2
19	VS-019	Bushing		1
20	VS-020	Bushing		1
21	VS-021	Worm		1
22	VS-022	Worm Gear		1
23	VS-023	Spring Pin	5x10	2
24	VS-024	Bushing		2
25	VS-025	Dial Control Shaft		1
26	VS-026	Spring Pin	3x12	1
27	VS-027	Dial Wheel		1
28	VS-028	Wheel Handle		1
29	VS-029	Shaft		1
30	VS-030	Spring Pin	4x16	2
31	VS-031	Spring Pin	3x25	1
32	VS-032	Speed Change Chain		1
33	VS-033	Adjustment Stud		1
34	VS-034	Sleeve Nut		1
35	VS-035	Adjustment Stud		1
36	VS-036	Tilter		1
37	VS-037	Bushing		2
38	KEY6645	Key	6x6x45	1
39	VS-039	Regulating Screw		1
40	VS-040	Spring Pin	3/32x3/4	1
41	VS-041	Washer		1
42	VS-042	Support		1
43	BB-6010VV	Ball Bearing		2
44	VS-044N	Driven Pulley Assembly		1
45	VS-045N	Steady Pulley		1
46	VS-046	Bearing Cover		1
47	VS-047	Brake Lining		1
48	VS-048	Lock Screw		1
49	VS-049	Brake Spring		2
50	VS-050	Lower Housing Cover		1
51	TS-1504031	Hex Socket Cap Screw	M8x20	4
52	VS-052	Brake Shaft Sleeve		1
53	VS-053	Brake Lock Shaft		1
54	VS-054	Brake Lock Block		1

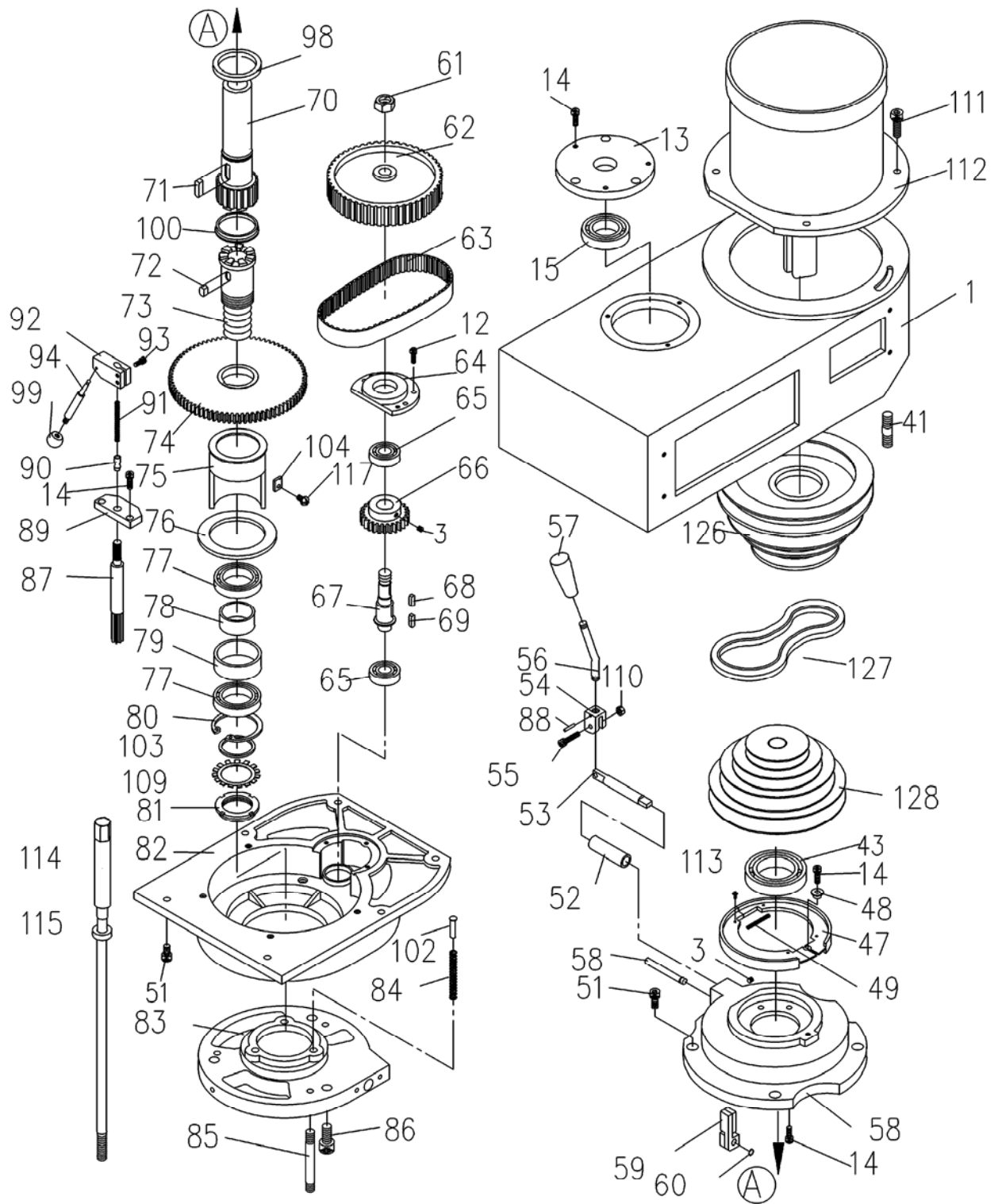
Список деталей: верхняя голова в сборе

№	№ детали	обозначение	размер	кол-во
55	TS-1503061	Hex Socket Cap Screw	M6x25	1
56	VS-056	Brake Lock Handle		1
57	VS-057	Plastic Ball		2
58	VS-058	Brake Finger Pivot Stud		1
59	VS-059	Brake Stud		2
60	VS-060	Snap Ring	S-8	2
61	TS-0561072	Nut	5/8-18UNF	1
62	VS-062	Timing Belt Pulley		1
63	VB225L100	Belt		1
64	VS-064	Bearing Retainer		1
65	BB-6203ZZ	Ball Bearing	6203ZZ	2
66	VS-066	Bull Gear		1
67	VS-067	Counter Shaft		1
68	VS-068	Key	5X5X15	1
69	VS-069	Key	5x5x18	1
70	VS-070	Spindle Pulley Hub		1
71	VS-071	Key	8x7x24	1
72	VS-072	Key	8x7x12	1
73	VS-073	Spindle Gear Hub		1
74	VS-074	Spindle Gear Assembly		1
75	VS-075	Rack Cup		1
76	VS-076	Washer		1
77	BB-6908ZZ	Ball Bearing		2
78	VS-078	Bearing Washer		1
79	VS-079	Bearing Washer		1
80	VS-080	Snap Ring		1
81	VS-081	Nut		1
82	VS-082	Lower Housing		1
83	VS-083	Fixed Clutch Bracket		1
84	VS-084	Spring		3
85	VS-085	Stud		3
86	TS-1506021	Hex Socket Cap Screw	M12x25	3
87	VS-087	Gear Shift Pinion		1
88	VS-088	Pin		1
89	VS-089	Detent Plate		1
90	VS-090	Detent Washer		1
91	VS-091	Spring		1
92	VS-092	Pinion Block		1
93	TS-1503011	Hex Socket Cap Screw	M5x14	2
94	VS-094	Pinion Crank		1
95	VS-095	Cap Nut		1
96	TS-0561031	Hex Nut	3/8	1
97	VS-097	Snap Ring		1
98	VS-098	Wave Washer		1
99	VS-099	Plastic Ball		1
100	VS-100	Snap Ring		1
101	VS-101B	Cover		2
102	VS-102	Spring Shaft		3
103	VS-103	Washer		1
104	VS-104	Copper Washer		2
105	VS-105	Screw	1/4x3/8	8
106	VS-107	Shaft		1

Список деталей: верхняя голова в сборе

№	№ детали	обозначение	размер	кол-во
107.....	TS-1504061	Hex Socket Cap Screw	M8x30	1
108.....	VS-120	Key	6x4x32	2
109.....	VS-109	Lock Washer	1
110.....	TS-1540041	Hex Nut	M6	1
111.....	TS-0209051	Hex Socket Cap Screw	3/8x1	4
112.....	4VS-112	Motor	1
113.....	VS-113	Oval Head Screw	1/8x1/4	4
114.....	JTM1-001VS	Draw Bar	#30/NT40	1
115.....	JTM4VS-A002B	Draw Bar Washer	1
116.....	VS-116	Key	1
117.....	VS-117	Oval Head Screw	3/16x1/2	1
118.....	VS-007	Snap Ring	4
119.....	VS-005A	Plastic Sleeve	2
120.....	JTM4VS-120	Speed Chart	1
121.....	JTM4VS-121	Pan Head screw	M4	4
122.....	JTM4VS-122	Sensor Block	1
123.....	TS-1521041	Set Screw	M4X10	1

Монтажная схема: верхняя голова в сборе



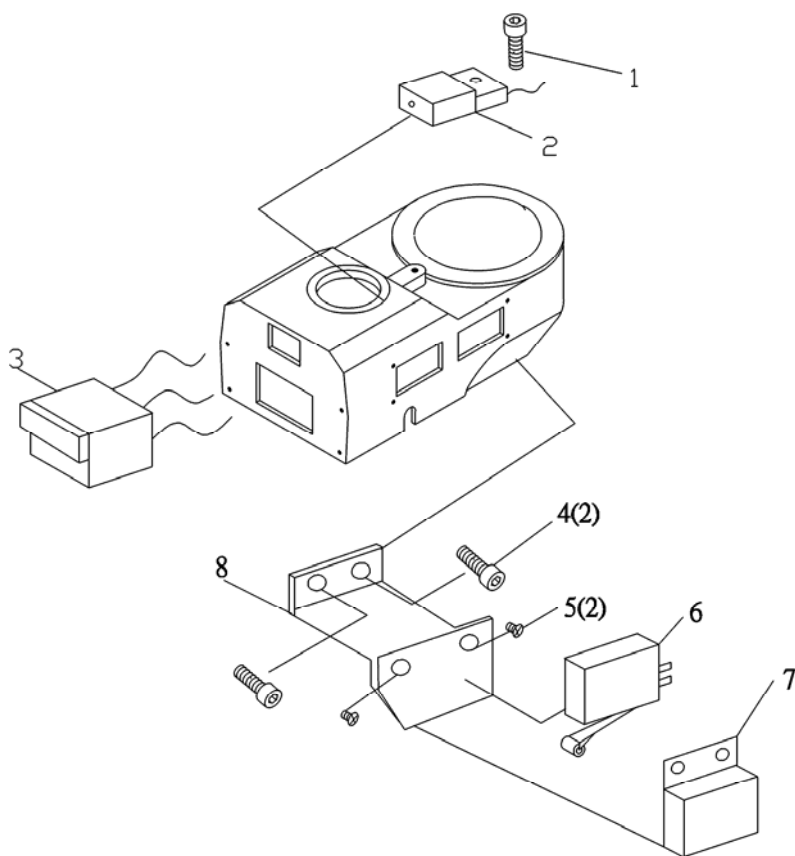
Список деталей: верхняя голова в сборе

№	№ детали	обозначение	размер	кол-во
1	460011	Upper Pulley Cover		1
3	SS66	Set Screw	M6x6	4
12	HS66	Hex. Socket Cap Screw	M6x6	4
13	X460131	Upper Cover		1
14	HS66	Hex Socket Cap Screw	M6x16	10
15	BB6007	Ball Bearing	6007ZZ	1
43	BB6010	Ball Bearing	6010VV	1
47	X460471	Brake		1
48	X460481	Rod		1
49	X460491	Spring		2
50	X460501	Brake Plate		1
51	HS820	Hex Socket Cap Screw	M8x20	4
52	X460521	Brake Cam		1
53	X460531	Brake Rod		1
54	X460541	Brake Bracket		1
55	HS625	Hex Socket Cap Screw	M6x25	1
56	X460561	Handle		1
57	X460571	Handle		2
58	X460581	Hand Rod		1
59	X460591	Brake Bracket		2
60	X460601	Washer	S-8	2
61	BT5/8-18	Hex. Cap Screw	5/8-18UNF	1
62	X460621	Timing Wheel		1
63	X460631	Timing Belt		1
64	X460641	Ball Bearing Bracket		1
65	BB6203	Ball Bearing	6203ZZ	2
66	X460661	Gear		1
67	X460671	Gear		1
68	DRK5515	Double Round Key	5X5X15	1
69	DRK5518	Double Round Key	5x5x18	1
70	X460701	Quill		1
71	DRK8724	Double Round Key	8x7x24	1
72	DRK8712	Double Round Key	8x7x12	1
73	X460731	Gear Rod		1
74	X460741	Gear		1
75	X460751	Bear Sleeve		1
76	X460761	Washer		1
77	BB6908ZZ	Ball Bearing		2
78	X460781	Small Spacer		1
79	X460791	Big Spacer		1
80	X460801	C- Ring		1
81	X460811	Nut		1
82	X460821	Gear Box Housing		1
83	X460831	Brake Bottom bracket		1
84	X460841	Pressure Spring		3
85	X460851	Double Screw		3
86	HS1225	Hex. Socket Cap Screw	M12x25	3
87	X460871	Speed Rod		1
88	X460881	Pin		1
89A	X460891	Connect Plate		1
90	X460901	Hi/Low Sleeve		1
91	X460911	Spring		1
92	X460921	Connect Bracket		1
93	HS514	Hex. Socket Cap Screw	M5x14	2
94	X460941	Handle		1
99	X460991	Ball Handle		1
100	X461001	Timing Wheel Sleeve		1

Список деталей: верхняя голова в сборе

№	№ детали	обозначение	размер	кол-во
102.....	X461021	Spring Rod		3
103.....	X461031	washer		1
104.....	X461041	Nut		2
108.....	DRK6432	Double Round Key	6x4x32	2
109.....	X461091	Spring washer		1
110.....	X461101	Nut	M6	1
111.....	HS3/8-1.....	Hex Socket Cap Screw	3/8x1	4
112.....	X461121	Motor		1
113.....	PH1/8-1/4	Pan head Cross Screw	1/8x1/4	4
114.....	X461141	Rod	#30	1
115.....	X461151	Spacer		1
117.....	PH3/16-1/2	Pan Head Screw	3/16x1/2	1
126.....	X461261	Motor Pulley		1
127.....	X461271	Belt		1
128.....	X461281	Spindle Pulley		1

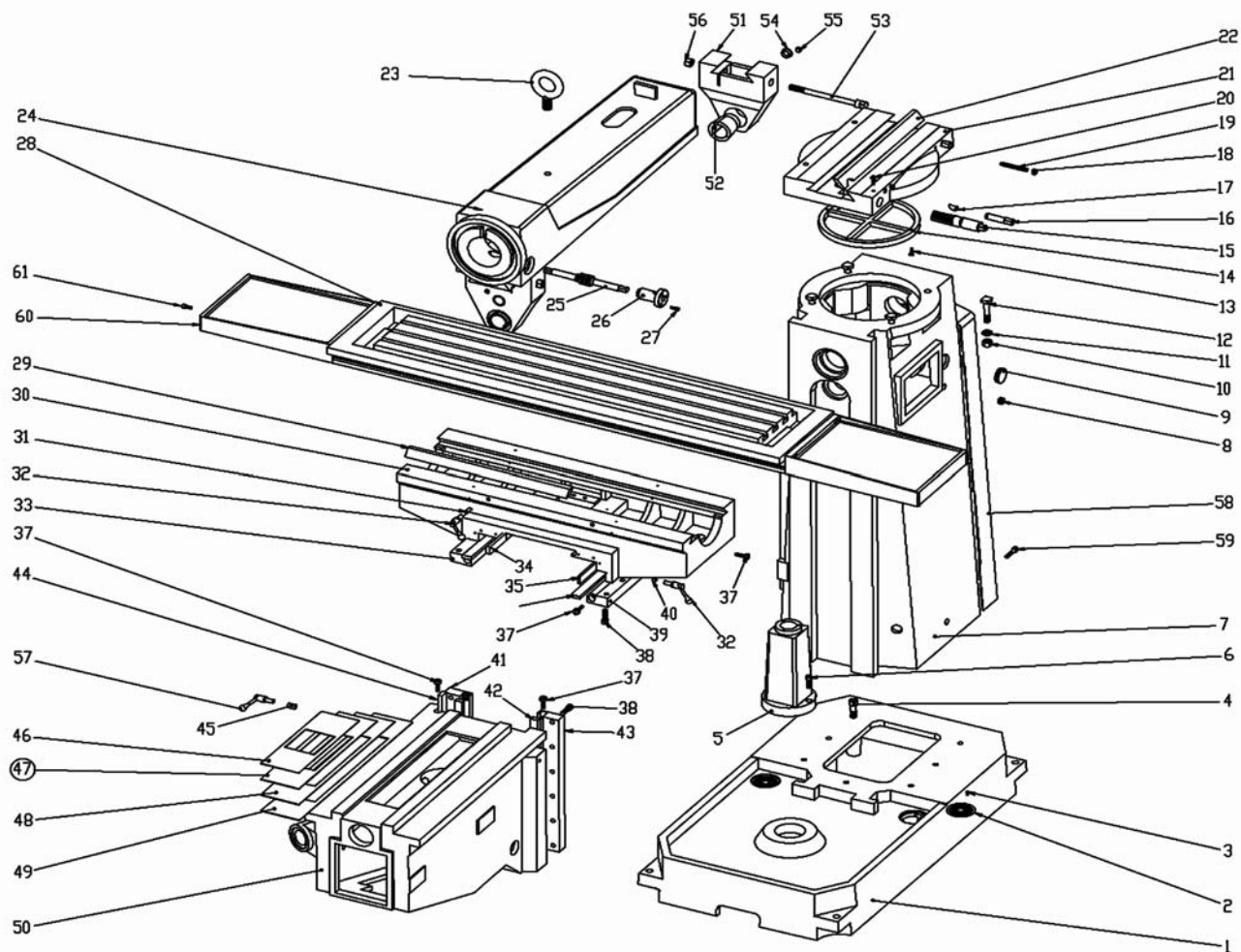
Монтажная схема: устройство цифровой индикации



Список деталей: устройство цифровой индикации в сборе

№	№ детали	обозначение	размер	кол-во
1	TS-1501041	Hex. Socket Cap Screw	M4x12	1
2	JVM836VSD-DRO-2	Sensor		1
3	JVM836VSD-DRO-3	display		1
4	TS-1501041	Hex. Socket Cap Screw	M4x12	2
5	JVM836VSD-DRO-5	Pan Head Screw	M4x12	2
6	JVM836VSD-DRO-6	Limit Switch		1
7	JVM836VSD-DRO-7	Protecting Cover		1
8	JVM836VSD-DRO-8	Limit Switch Bracket		1

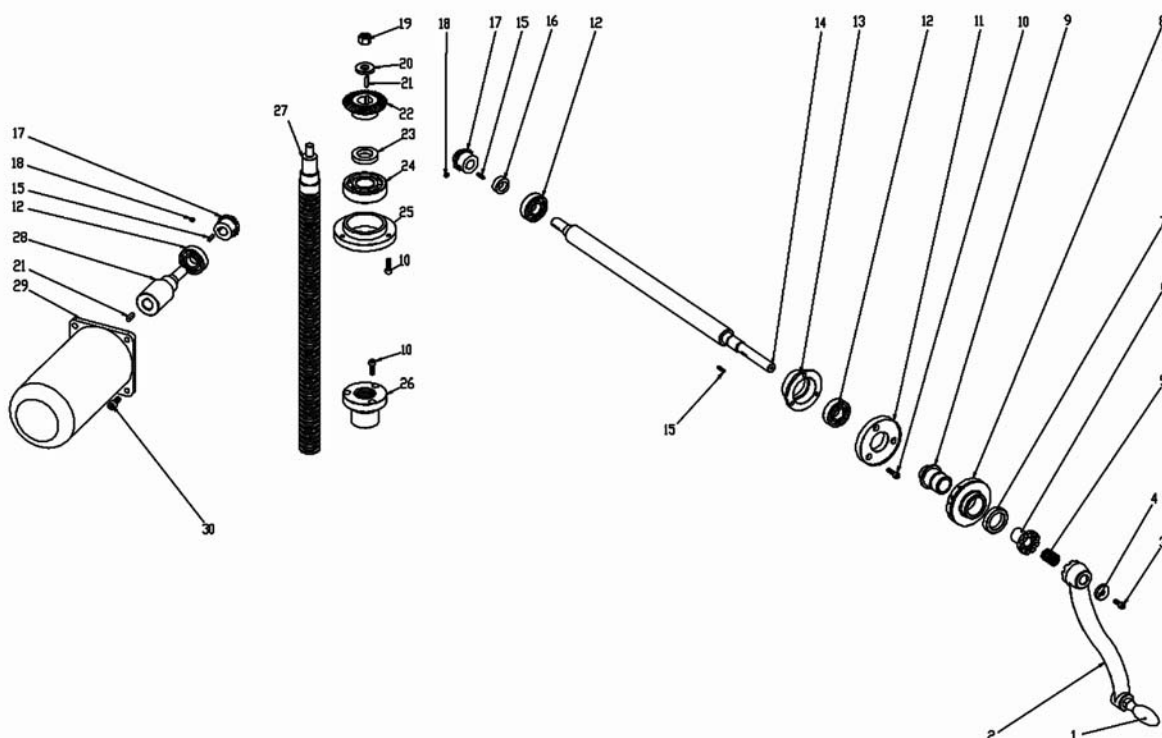
Монтажная схема: основание в сборе



Список деталей: основание в сборе

№	№ детали	обозначение	размер	кол-во
1	X74001	Base		1
2	X74002	Filter net		2
3	X74003	Pan Head Screw	M5×10	4
4	X74004	Hex. Socket Cap Screw	M16×70	7
5	X74005	Elevation Screw Stand		1
6	X74006	Hex. Socket Cap Screw	M10×35	2
7	X74007	Column		1
8	X74008	Oil plug		1
9	X74009	Oil glass 47		1
10	X74010	Hexagon Nut	M16	4
11	X74011	Washer		4
12	X74012	Lock Screw		4
13	X74013	Hex. Socket Cap Screw	M6×20	4
14	X74014	Lock Round		1
15	X74015	Adjust gear		1
16	X74016	Lock Screw (M18)		2
17	X74017	Lock plug		2
18	X74018	Lock Nut	"3/8""	2
19	X74019	Lock Screw	"3/8""	2
20	X74020	Lock Screw		1
21	X74021	Flat Washer		1
22	X74022	Ram Gib		1
23	X74023	Eye Bolt	M24×P3	1
24	X74024	Ram		1
25	X74025	Adjust worm		1
26	X74026	Worm sit		1
27	X74027	M6×20 Screw		3
28	X74028	Table		1
29	X74029	Gib		1
30	X74030	Saddle		1
31	X74031	Lock plug		2
32	X74032	Lock handle	"1/2""	4
33	X74033	Saddle Gib Holder (Left)		1
34	X74034	Adjust Gib		1
35	X74035	Adjust Gib		1
36	X74036	Adjust Gib		2
37	X74037	Adjust Screw		14
38	X74038	Hex. Socket Cap Screw	M12×40	20
39	X74039	Saddle Gib Holder (Right)		1
40	X74040	Lock plug		2
41	X74041	Knee Gib Holder (Left)		1
42	X74042	Gib		2
43	X74043	Knee Gib Holder (Right)		1
44	X74044	Knee Gib		1
45	X74045	Knee Locker		1
46	X74046	Cover		1
47	X74047	Cover		1
48	X74048	Cover		1
49	X74049	Cover		1
50	X74050	Knee		1
51	X74051	Support Set		2
52	X74052	Cuprum Cover		2
53	X74053	Lock Screw		2
54	X74054	Oil Glass		2
55	X74055	Oil Block	M16×10	2
56	X74056	Lock Nut		2
57	X74057	Lock Handle	M16	2
58	X74058	Belt Cover		1
59	X74059	Hex.Socket Cap Screw	M10×50	6
60	X74060	Navigation Cover		2

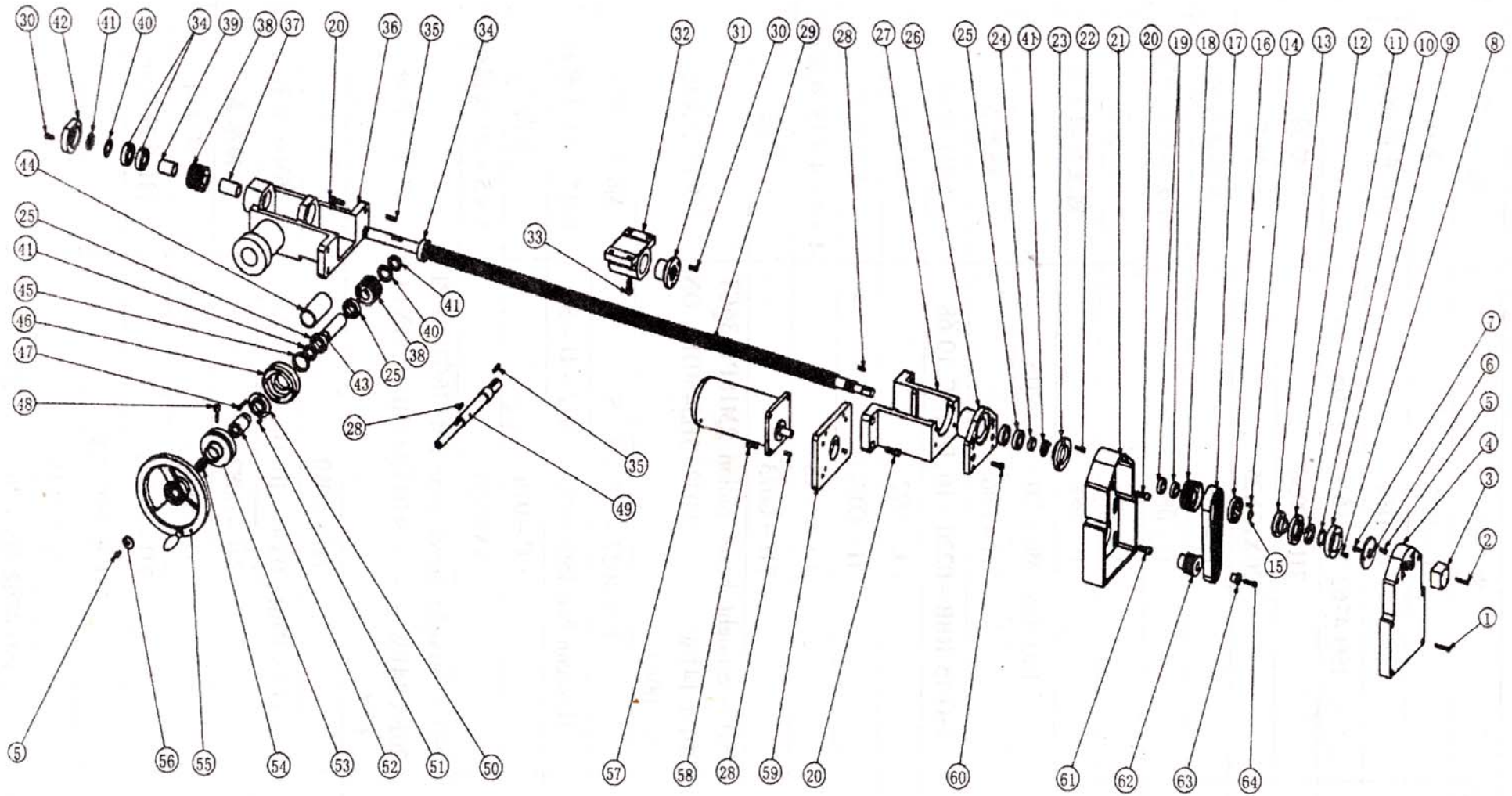
Монтажная схема: механизм подачи в сборе



Список деталей: механизм подачи в сборе

№	№ детали	обозначение	размер	кол-во
1	X74101	Hand Grip		1
2	X74102	Hand Lever		1
3	X74103	Hex. Socket Cap Screw	M6X16	1
4	X74104	Washer		1
5	X74105	Spring	20X17X25	1
6	X74106	Clutch Insert		1
7	X74107	Dial Screw		1
8	X74108	Dial		1
9	X74109	Dial Locker		1
10	X74110	Hex. Socket Cap Screw	M6X20	9
11	X74111	Bearing Cover		1
12	X74112	Bearing	6204	3
13	X74113	Bearing set		1
14	X74114	Shaft		1
15	X74115	Round Pin	4*4*4*18	3
16	X74116	Washer		1
17	X74117	Straight bevel pinion	2Mx18	2
18	X74118	Set Screw	M6X8	2
19	X74119	Hexagon Nut	"1/2" x 20TPI"	1
20	X74120	Washer		1
21	X74121	Round Pin	5*5*20	2
22	X74122	Straight bevel gear	M2x36	1
23	X74123	Washer		1
24	X74124	Bearing	6306	1
25	X74125	Bearing Cover		1
26	X74126	Level Screw		1
27	X74127	Elevating Screw		1
28	X74128	7H Motor Cover		1
29	X74129	Motor		1
30	X74130	Hex. Socket Cap Screw	M8x20	4

Монтажная схема: стол в сборе (ось X)



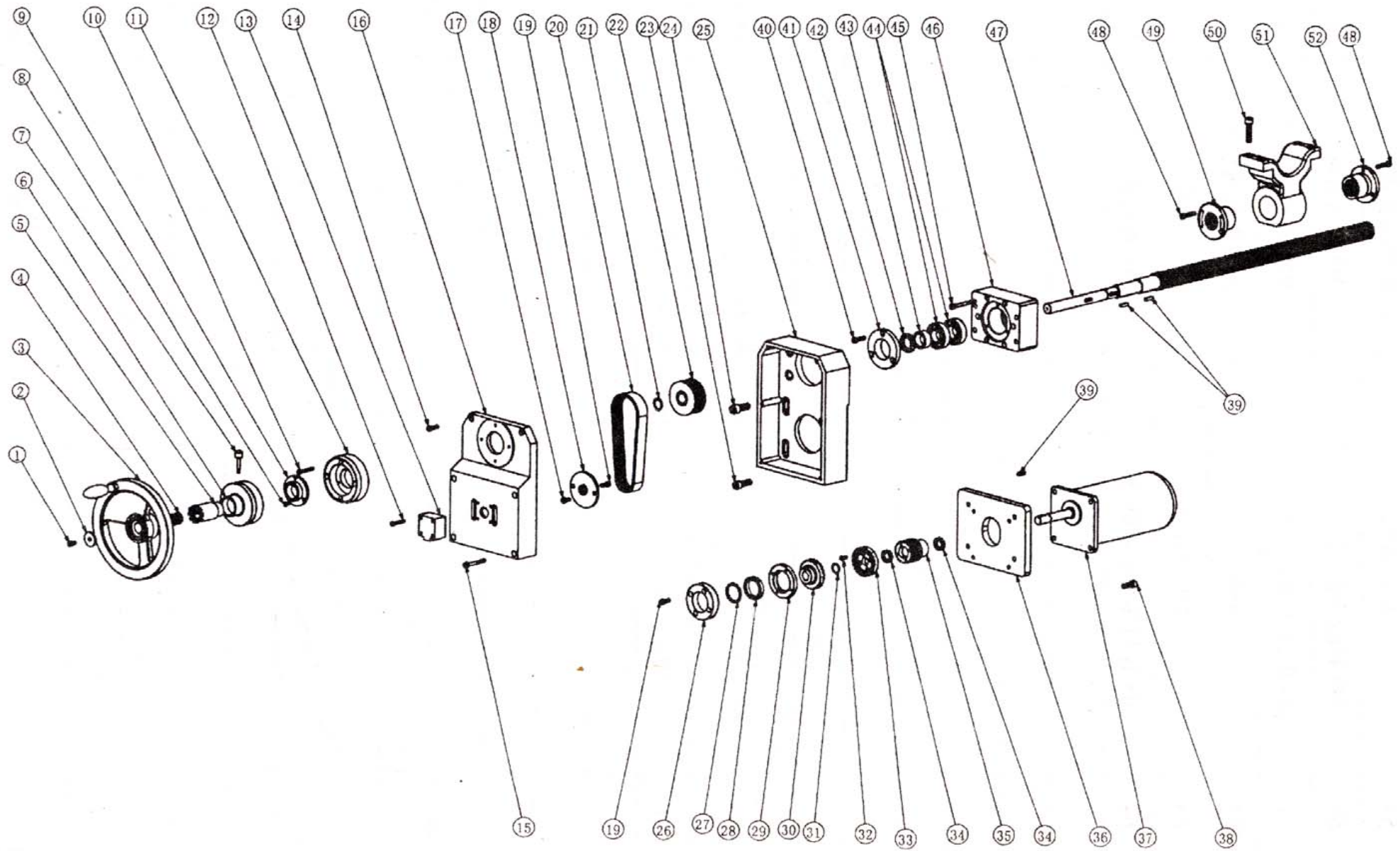
Список деталей: стол в сборе (ось X)

№	№ детали	обозначение	размер	кол-во
1	X73001	Hex Socket Cap Screw	M6X35	6
2	X73002	Hex Socket Cap Screw	M5X30	4
3	X73003	Cylinder		1
4	X73004	Bearing Bracket		1
5	X73005	Hex Socket Cap Screw	M6X12	3
6	X73006	Fixed plate		1
7	X73007	Hex Socket Cap Screw	M6X12	1
8	X73008	Hex Socket Cap Screw	M5X12	4
9	X73009	Bearing Cover		1
10	X73010	Lock Nut		1
11	X73011	Bearing	61807	1
12	X73012	Bearing set		1
13	X73013	Clutch Insert		1
14	X73014	Pan Head Screw	M4X12	4
15	X73015	C-Ring	20mm	1
16	X73016	Clutch Insert		1
17	X73017	Belt	M5X560X25	1
18	X73018	Timing Wheel		1
19	X73019	Bearing	6904	2
20	X73020	Hex Socket Cap Screw	M10X30	12
21	X73021	Move Box		1
22	X73022	Hex Socket Cap Screw	M6X20	3
23	X73023	Right Bearing Cover		1
24	X73024	Washer		1
25	X73025	Bearing	6005	4
26	X73026	Right Bearing Set		1
27	X73027	Right Bearing Holder		1
28	X73028	Key	5X5X20	3
29	X73029	Lead Screw		1
30	X73030	Hex Socket Cap Screw	M6X16	6
31	X73031	Lead Screw Nut		1
32	X73032	Nut Set		1
33	X73033	Hex Socket Cap Screw	M10X25	4
34	X73034	Bearing	6205	3
35	X73035	Round Pin	5*5*32	2
36	X73036	Left Bearing Set		1
37	X73037	Washer		1
38	X73038	Handle Gear		2
39	X73039	Washer		1
40	X73040	Star washer	M25	2
41	X73041	Nut	M25*1.5	4
42	X73042	Left Bearing Cover		1
43	X73043	Handle Bearing Spacer		1
44	X73044	Handle Bearing Spacer		1
45	X73045	Washer		1
46	X73046	Bearing Cover		1
47	X73047	Hex Socket Cap Screw	M5X35	4

Список деталей: стол в сборе (ось X)

№	№ детали	обозначение	размер	кол-во
48	X73048	Dial Locker		1
49	X73049	Handle rocker		1
50	X73050	Clutch Insert Set		1
51	X73051	Hex Socket Cap Screw	M5X12	3
52	X73052	Clutch Insert		1
53	X73053	Dial		1
54	X73054	Spring	24X21X25	1
55	X73055	Hand Wheel		1
56	X73056	Washer		1
57	X73057	Motor		1
58	X73058	Hex Socket Cap Screw	M8X20	4
59	X73059	Motor Holder		1
60	X73060	Hex Socket Cap Screw	M8X25	4
61	X73061	Hex Socket Cap Screw	M10X25	4
62	X73062	Timing Wheel		1
63	X73063	Washer		1
64	X73064	Hex Socket Cap Screw	M6X30	1

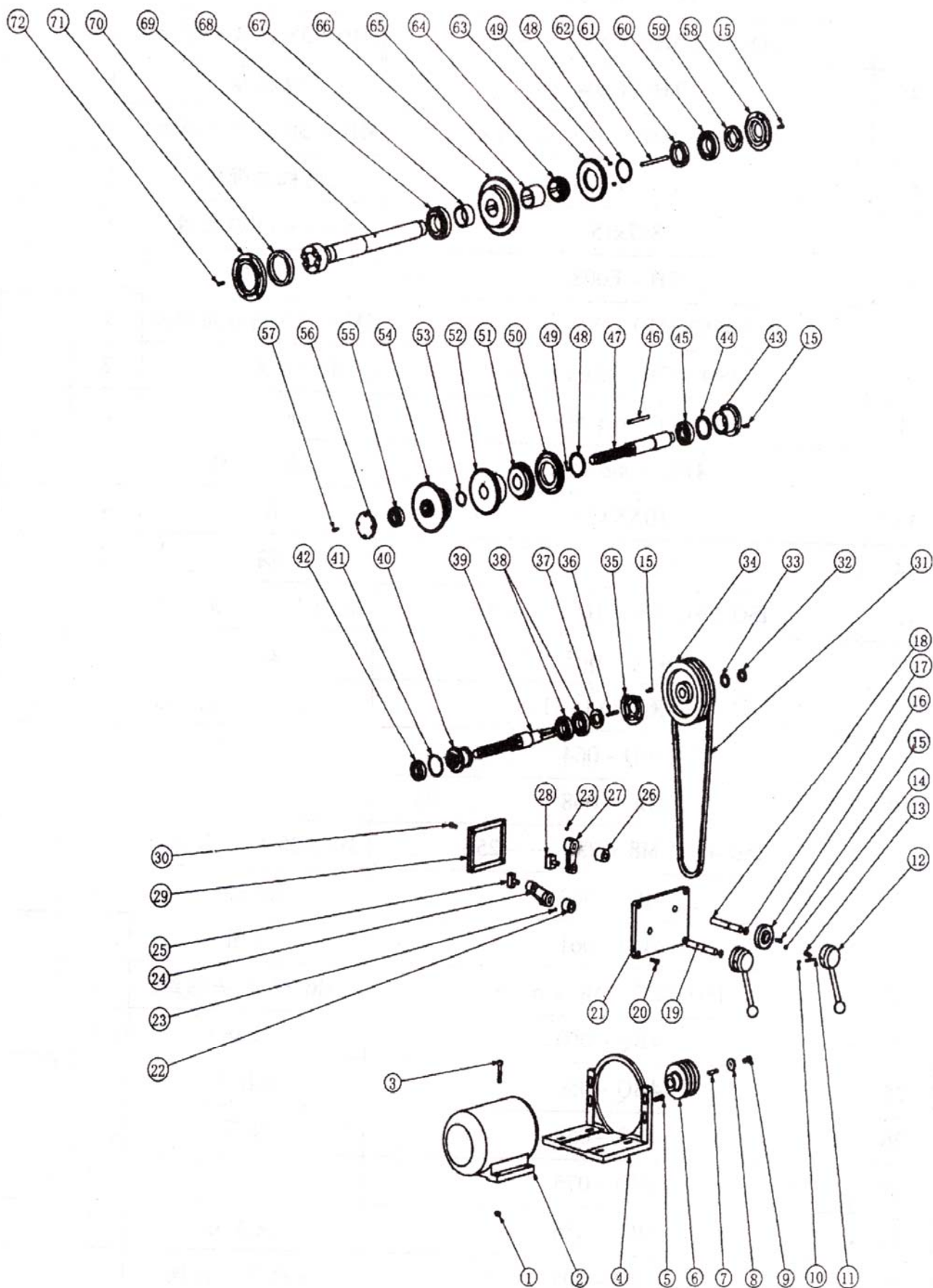
Монтажная схема: стол в сборе (ось Y)



Список деталей: стол в сборе (ось Y)

№	№ детали	обозначение	размер	кол-во
1	X73101	Hex. Socket Cap Screw	M6X10	1
2	X73102	Handle		1
3	X73103	Hand wheel		1
4	X73104	Key	24X21X25	1
5	X73105	Connect sit		1
6	X73106	Dial		1
7	X73107	Set Knob		1
8	X73108	Hex. Socket Cap Screw	M5X10	3
9	X73109	bracket		1
10	X73110	Hex. Socket Cap Screw	M5X35	4
11	X73111	Bracket		1
12	X73112	Hex. Socket Cap Screw	M5X30	4
13	X73113	Cylinder		1
14	X73114	Hex. Socket Cap Screw	M6X20	1
15	X73115	Hex. Socket Cap Screw	M6X50	4
16	X73116	Front Cover		1
17	X73117	Hex. Socket Cap Screw	M6X12	2
18	X73118	Spacer		1
19	X73119	Hex. Socket Cap Screw	M6X16	2
20	X73120	Belt	M5X480X25	1
21	X73121	Star Washer		1
22	X73122	Gear		1
23	X73123	Hex. Socket Cap Screw	M10X30	4
24	X73124	Hex. Socket Cap Screw	M12X30	4
25	X73125	Back Cover		1
26	X73126	press span		1
27	X73127	Spacer		1
28	X73128	Spacer		1
29	X73129	press span		1
30	X73130	bracket		1
31	X73131	Washer		1
32	X73132	Hex. Socket Cap Screw	M5X12	4
33	X73133	bracket		1
34	X73134	Washer		2
35	X73135	Gear		1
36	X73136	Motor Bracket		1
37	X73137	Motor (Y axis)		1
38	X73138	Hex. Socket Cap Screw	M8X25	4
39	X73139	Key	5X5X20	3
40	X73140	Hex. Socket Cap Screw	M6X25	8
41	X73141	bracket		1
42	X73142	Spacer		1
43	X73143	Spacer		1
44	X73144	Bearing		2
45	X73145	Hex. Socket Cap Screw	M6X60	6
46	X73146	Lead Screw Bracket		1
47	X73147	Lead Screw		1
48	X73148	Hex. Socket Cap Screw	M6X30	5
49	X73149	Nut		1
50	X73150	Hex. Socket Cap Screw	M6X40	4
51	X73151	Lead Screw Bracket		1
52	X73152	Nut		1

Монтажная схема: горизонтальный шпиндель в сборе



Список деталей: горизонтальный шпиндель в сборе

№	№ детали	обозначение	размер	кол-во
1	X75001	Nut	M10	4
2	X75002	Motor		1
3	X75003	Hex. Socket Cap Screw	M10X55	4
4	X75004	Motor Set		1
5	X75005	Hex. Socket Cap Screw	M10X30	4
6	X75006	Motor Belt		1
7	X75007	Round Pin	8*7*15	1
8	X75008	Washer		1
9	X75009	Hex. Socket Cap Screw	M10X20	1
10	X75010	Set Screw	M6X6	2
11	X75011	Pin	Φ6	2
12	X75012	Shift Handle		2
13	X75013	Spring		4
14	X75014	Steel Ball		4
15	X75015	Hex. Socket Cap Screw	M6X16	16
16	X75016	Shift Holder		2
17	X75017	Airproof round	18X15X1.5	2
18	X75018	Shift Axis		1
19	X75019	Shift Axis		1
20	X75020	Hex. Socket Cap Screw	M8X25	4
21	X75021	Shift Board		1
22	X75022	Washer		1
23	X75023	Set Screw	M6X6	2
24	X75024	Bracer		1
25	X75025	Lever		1
26	X75026	Washer		1
27	X75027	Bracer		1
28	X75028	Lever		1
29	X75029	Left Cover		1
30	X75030	Hex. Socket Cap Screw	M8X20	4
31	X75031	Belt	1524	3
32	X75032	Lock Nut	M25*P1.5	1
33	X75033	Washer	M25	1
34	X75034	Pulley		1
35	X75035	Bearing Cover		1
36	X75036	Round Key	7*7*50	1
37	X75037	Airproof	Φ55*35*11	1
38	X75038	Bearing	6207	2
39	X75039	Spline Shaft		1
40	X75040	Sliding Gear Sit.		1
41	X75041	C-Ring	Φ62	1
42	X75042	Bearing (NR)	6305	1
43	X75043	Bearing Cover		1
44	X75044	Washer		1
45	X75045	Bearing	6306	1
46	X75046	Key	10X8X100	1
47	X75047	Idle Spline Shaft		1
48	X75048	C-Ring	Φ65	2
49	X75049	Round Key	8x7x10	4
50	X75050	Gear	M2.5Z49	1
51	X75051	Gear	M2.5Z43	1
52	X75052	Gear	M2.5Z54	1
53	X75053	C-Ring	Φ40	1
54	X75054	Sliding Gear Sit.		1
55	X75055	Bearing	6305	1

Список деталей: горизонтальный шпиндель в сборе

№	№ детали	обозначение	размер	кол-во
56	X75056	Bearing Cover		1
57	X75057	Hex. Socket Cap Screw		4
58	X75058	Bearing Cover		1
59	X75059	Nut		1
60	X75060	Taper Bearing	32210	1
61	X75061	Lock Nut		1
62	X75062	Round Key	10*8*125	1
63	X75063	Gear	M2.5Z51	1
64	X75064	Gear	M2.5Z29	1
65	X75065	Washer		1
66	X75066	Gear	M2.5Z71	1
67	X75067	Washer		1
68	X75068	Bearing	32211	1
69	X75069	Main Shaft		1
70	X75070	Airproof	90*110*13	1
71	X75071	Airproof Cover		1
72	X75072	Hex. Socket Cap Screw	M5X20	6

Электрическая схема

