

J E T

JTM4VSE

METALWORKING MILL

50000110T

400/50/3

PARTS LIST

ERSATZTEILLISTE

LISTE DE PIECES

WMH Tool Group AG

Bahnstrasse 24, CH – 8603 Schwerzenbach

www.wmhtoolgroup.ch; info@wmhtoolgroup.ch

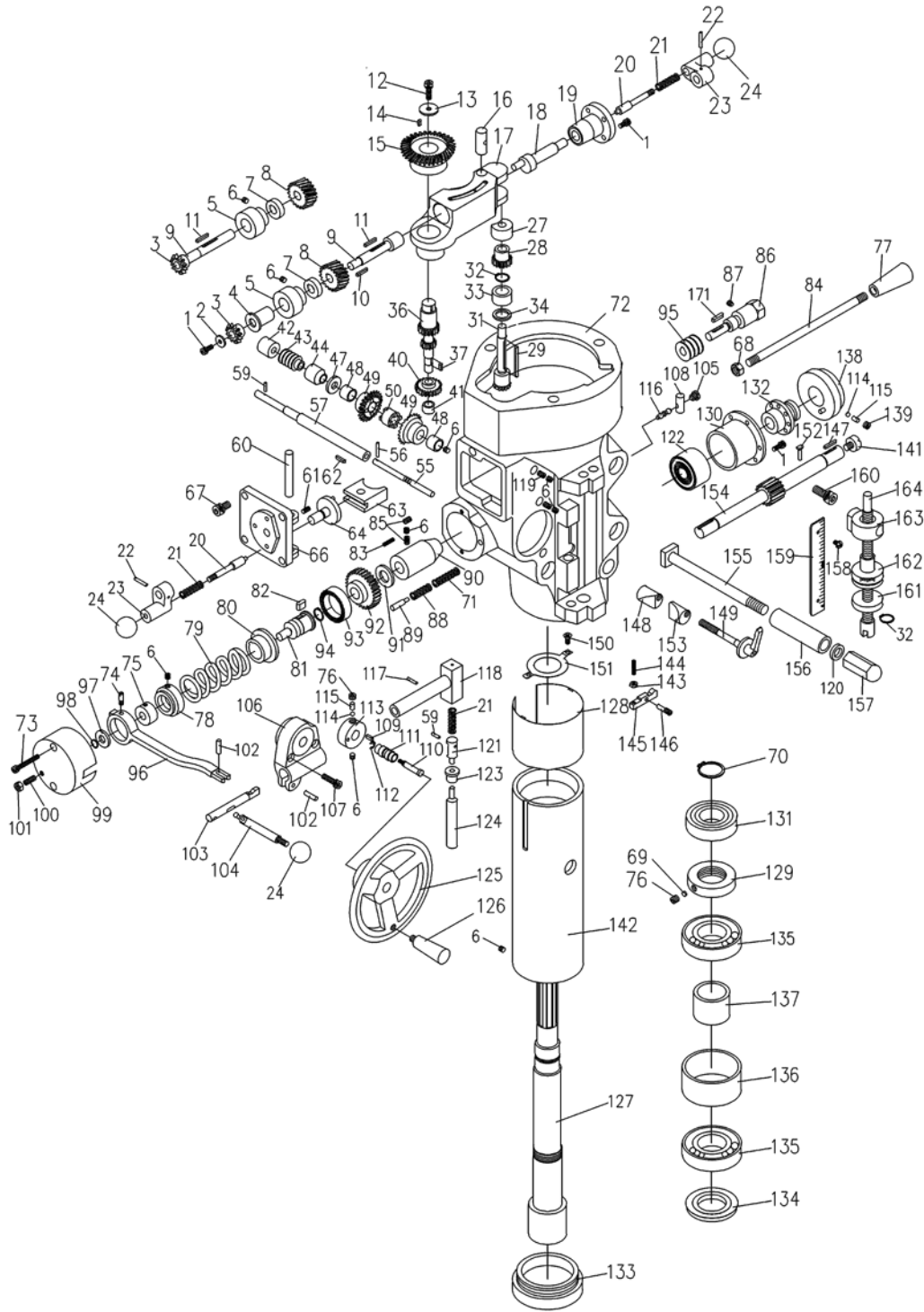
Tel +41 (0) 44 806 47 48

Fax +41 (0) 44 806 47 58



P-50000110T 11/04

Breakdown for JTM4VSE Mill Head Assembly



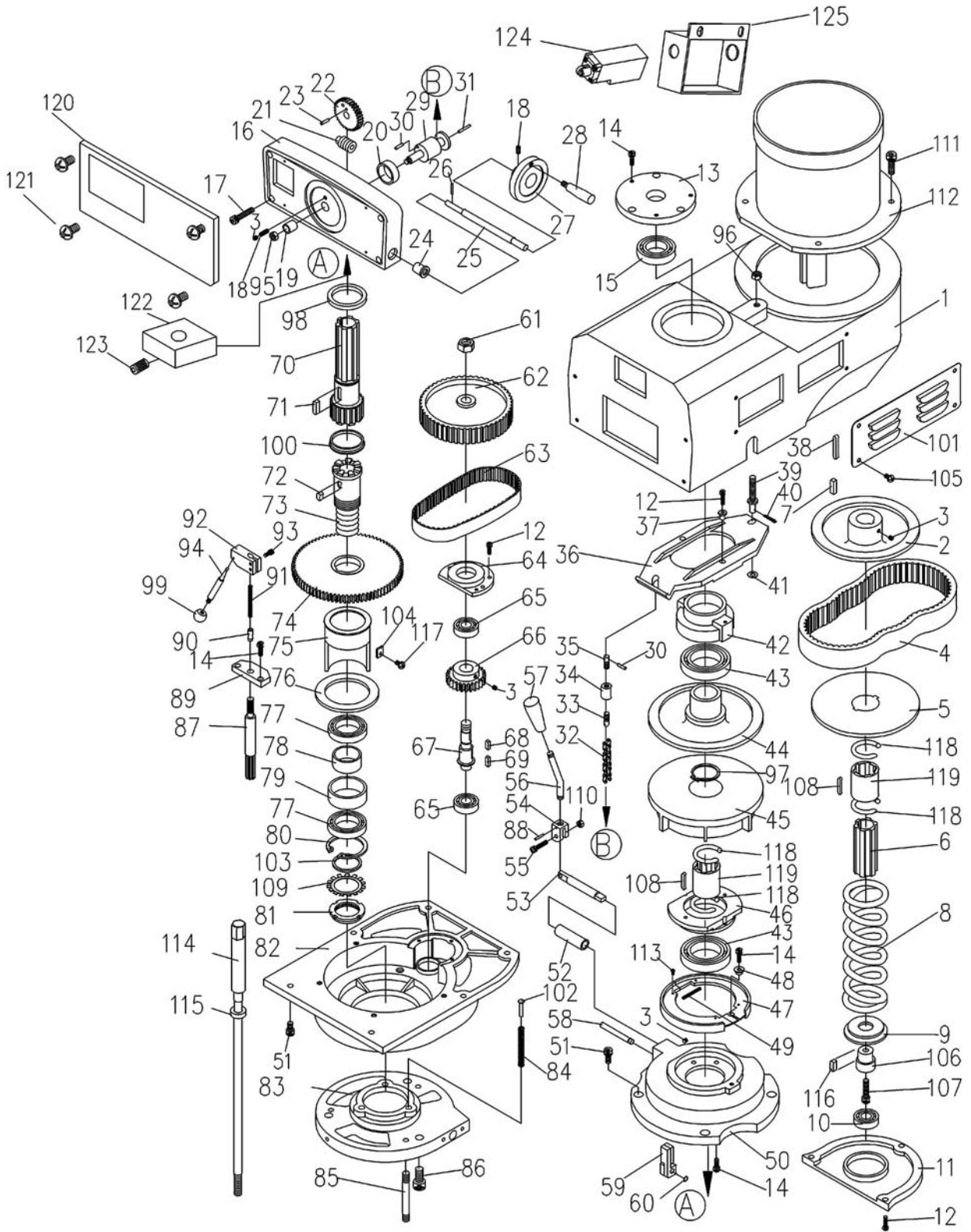
**Spare Parts List for JTM4VSE
Head Assembly**

Index No.	Part No.	Description	Size	Qty.
1	TS-1533042	Screw	M5x10	6
2	HA-002	Bevel Pinion Washer		1
3	LA-166A	Feed Gear		1
4	LA-161	Shaft Sleeve		1
5	LA-162	Worm Cradle Bushing		1
7	LA-163	Worm Gear Spacer		1
8	LA-164	Feed Drive Worm Gear		1
9	LA-165	Worm Gear Shaft		1
10	HA-010	Worm Shaft Key	3x3x8	1
11	KEY3320	Key	3x3x20	1
12	HA-012	Hex Socket Cap Screw	M6X16	1
13	WASM082302	Washer	ø6	1
14	HA-014	Cluster Gear Key	3x3x8.5	1
15	LA-154	Feed Reverse Bevel Gear		1
16	LA-167	Feed Engage Pin		1
17	LA-166	Worm Gear Cradle		1
18	LA-066	Cam Rod		1
19	LA-002	Shift Sleeve		1
20	LA-004	Plunger		2
21	LA-005	Spring		3
22	HA-022	Spring Pin	3x22	2
23	LA-033	Cam Rod		2
24	LA-006	Plastic Ball		3
27	LA-147	Upper Bushing		1
28	LA-144	Cluster Gear Assembly		1
29	HA-029	Cluster Gear Key	3x3x45	1
31	LA-143	Cluster Gear Shaft		1
32	HA-032	Snap Ring		2
33	LA-142	Bevel Gear Bushing		1
34	LA-141	Thrust Spacer		1
36	LA-156	Feed Drive Gear		1
37	KEY3310	Key	3x3x10	1
40	LA-157	Feed Drive Gear		1
41	HA-041	Needle Bearing		1
42	LA-168	Bushing		1
43	LA-139	Worm		1
44	LA-138	Feed Worm Shaft Bushing		1
47	LA-137	Bevel Gear Thrust Spacer		1
48	LA-134	Bushing		2
49	LA-135	Feed Reverse Bevel Gear		2
50	LA-136	Feed Reverse Clutch		1
55	LA-132	Reverse Clutch Rod		1
56	HA-056	Spring Pin	3x20	1
57	LA-133	Feed Worm Shaft		1
59	HA-059	Spring Pin	3x12	2
60	LA-150	Feed Shift Rod		1
61	TS-1522031	Set Screw	M5x10	1
62	HA-062	Key	3x3x15	1
63	LA-149	Feed Gear Shift Fork		1
64	LA-151	Cluster Gear Shift Crank		1
66	LA-148	Cluster Gear Cover		1
67	TS-1504011	Hex Socket Cap Screw	M8x10	4
68	TS-1524011	Set Screw	M8x8	1
69	HB1291	Lock Washer		1
70	RINS30	Snap Ring		1

Index No.	Part No.	Description	Size	Qty.
71	HA-193	Spring	10x20	1
72	LA-016	Quill Housing		1
73	TS-1502081	Hex Socket Cap Screw	M5x35	2
74	LA-081	Clutch Ring Pin		2
75	LA-080	Clutch Ring		1
76	TS-1524011	Set Screw	M8x8	2
77	LB-017	Plastic Ball		1
78	LA-082	Overload Clutch Lockout		1
79	LA-083	Safety Clutch Spring		1
80	LA-084	Overload Clutch		1
81	LA-085	Overload Clutch Sleeve		1
82	LA-090	Key		1
83	TS-1532052	Pan Head Machine Screw	M4x16	3
84	LA-105	Handle		1
85	TS-1523031	Set Screw	M6x10	2
86	LA-019	Worm Shaft		1
87	LA-173	Set Screw		1
88	LA-169	Spring		1
89	LA-089	Spring Plunger		1
90	LA-123	Pinion Shaft Bushing		1
91	LA-122	Spacer		1
92	LA-087	Overload Clutch Worm Gear		1
93	LA-086	Overload Clutch Ring		1
94	HA-094	Snap Ring		1
95	LA-018	Worm Gear		1
96	LA-079	Trip Lever		1
97	LA-078	Washer		1
98	HA-098	Snap Ring		1
99	LA-076	Clutch Arm Cover		1
100	TS-1523051	Set Screw	M6x10	1
101	HA-101	Locknut		1
102	LA-077	Pin		3
103	LA-091	Cam Rod		1
104	LA-100	Trip Handle		1
105	LA-124	Screw		1
106	LA-09209	Feed Trip Bracket		1
107	TS-1503051	Hex Socket Cap Screw	M6x20	2
108	LA-114	Reverse Knob		1
112	HA-11	Plunger		1
109	HA-1	Key	3x3x10	1
110	LA-130	Feed Reverse Knob Stud		1
111	LA-131	Snap Ring		1
113	LA-129	Hand wheel Clutch		1
114	SB-3/16	Steel Ball	3/16	2
115	HA-115	Spring		2
116	LA-113	Lever		1
117	HA-117	Spring Pin		1
118	LA-093	Cam Rod Sleeve Assembly		1
119	TS-1523011	Set Screw	M6x6	2
120	TS-0680061	Washer	1/2	4
121	LA-095	Trip Plunger		1
122	LA-102	Clock Spring		1
123	LA-121	Bushing		1
124	LA-097	Feed Trip Plunger		1
125	LA-126	Hand wheel		1
126	LA-125	Handle		1

Index No.	Part No.	Description	Size	Qty.
127	LA-050AE	Spindle	NT#30	1
128	LA-060	Quill Skirt		1
129	LA-048	Lock Nut		1
130	LA-103	Spring Cover		1
131	BB-6206ZZ	Ball Bearing		1
132	LA-104	Hub Sleeve		1
	LA-102/3	Clock Spring Assembly		1
133	LA-051E	Nose Piece		1
134	LA-052	Spindle Shield		1
135	BB-7207C	Ball Bearing		2
136	LA-054	Bearing Spacer (large)		1
137	LA-053	Bearing Spacer (small)		1
138	LA-106	Hub		1
139	TS-0270021	Set Screw	5/16x1/4	1
141	LA-107	Pinion Shaft Hub		1
142	LA-058	Quill		1
143	TS-154021	Hex Nut	M4	1
144	TS-1521071	Set Screw	M4x20	1
145	LA-098	Feed Trip Lever		1
146	LA-099	Trip Lever Pin		1
147	HA-171	Key		2
148	LA-111	Quill Lock Sleeve		1
149	LA-109	Lock Handle		1
150	HA-150	Screw	M5x10	2
151	LA-057	Felt Washer		1
152	LA-101A	Pin		1
153	LA-110	Quill Lock Sleeve		1
154	LA-101	Quill Pinion Shaft		1
155	LA-043	T-Bolt Assembly		4
156	LA-046	Spacer		4
157	LA-040	Lock Nut		4
158	HA-158	Screw	M4x5	2
159	LA-118E	Micrometer Scale	Metric	1
160	LA-165A	Screw	3/8-24UNFx3/4	1
161	LA-115	Quill Micro-Stop Nut		1
162	LA-116E	Micrometer Nut	Metric	1
163	LA-117E	Quill Stop Knob		1
164	LA-112E	Quill Micro-Screw	Metric	1

Upper Head Assembly



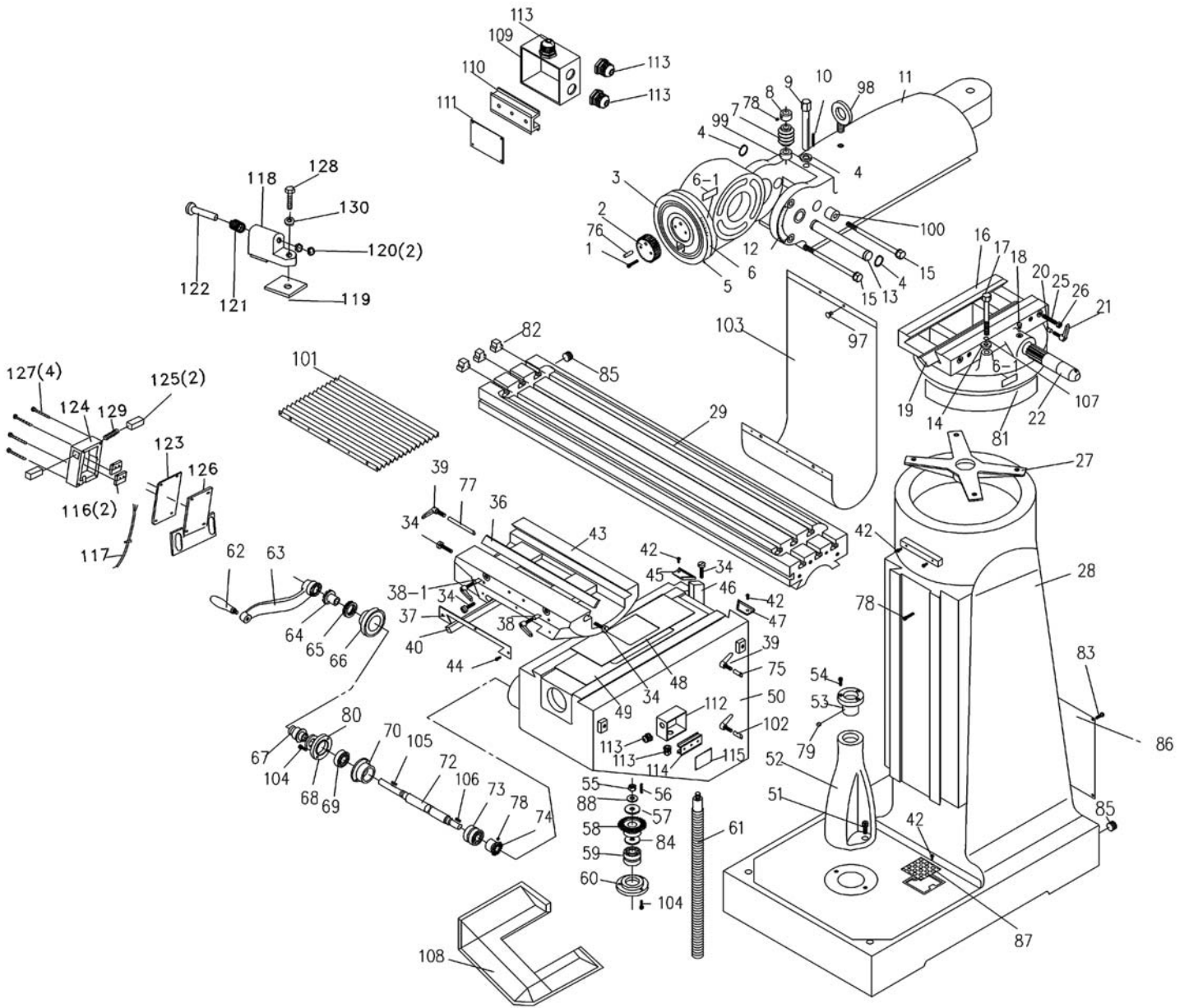
Upper Head Assembly

Index No.	Part No.	Description	Size	Qty.
1	VS-001	Upper Housing		1
2	VS-002	Motor Pulley		1
	VS-044A	Motor Pulley Bushing (not shown)		1
3	TS-1523011	Set Screw	M6x6	4
4	VS-004	Belt	875L	1
5	VS-005	Motor Pulley Disk		1
6	VS-006	Motor Pulley Shaft		1
7	KEY7725	Key	7x7x25	1
8	VS-008	Motor Pulley Spring		1
9	VS-009	Spring Stop Washer		1
10	BB-6206ZZ	Ball Bearing	6206ZZ	1
11	VS-011A	Motor Pulley Cover		1
12	TS-1502051	Hex Socket Cap Screw	M5x20	8
13	VS-013	Cover		1
14	TS-1503041	Hex Socket Cap Screw	M6x16	10
15	BB-6007ZZ	Ball Bearing	6007ZZ	1
16	VS-016	Dial Cover		1
17	TS-1503071	Hex Socket Cap Screw	M6x30	4
18	TS-1523041	Set Screw	M6x16	2
19	VS-019	Bushing		1
20	VS-020	Bushing		1
21	VS-021	Worm		1
22	VS-022	Worm Gear		1
23	VS-023	Spring Pin	5x10	2
24	VS-024	Bushing		2
25	VS-025	Dial Control Shaft		1
26	VS-026	Spring Pin	3x12	1
27	VS-027	Dial Wheel		1
28	VS-028	Wheel Handle		1
29	VS-029	Shaft		1
30	VS-030	Spring Pin	4x16	2
31	VS-031	Spring Pin	3x25	1
32	VS-032	Speed Change Chain		1
33	VS-033	Adjustment Stud		1
34	VS-034	Sleeve Nut		1
35	VS-035	Adjustment Stud		1
36	VS-036	Tilter		1
37	VS-037	Bushing		2
38	KEY6645	Key	6x6x45	1
39	VS-039	Regulating Screw		1
40	VS-040	Spring Pin	3/32x3/4	1
41	VS-041	Washer		1
42	VS-042	Support		1
43	BB-6010VV	Ball Bearing		2
44	VS-044N	Driven Pulley Assembly		1
45	VS-045N	Steady Pulley		1
46	VS-046	Bearing Cover		1
47	VS-047	Brake Lining		1
48	VS-048	Lock Screw		1
49	VS-049	Brake Spring		2
50	VS-050	Lower Housing Cover		1
51	TS-1504031	Hex Socket Cap Screw	M8x20	4
52	VS-052	Brake Shaft Sleeve		1
53	VS-053	Brake Lock Shaft		1
54	VS-054	Brake Lock Block		1
55	TS-1503061	Hex Socket Cap Screw	M6x25	1
56	VS-056	Brake Lock Handle		1

Index No.	Part No.	Description	Size	Qty.
57	VS-057	Plastic Ball		2
58	VS-058	Brake Finger Pivot Stud		1
59	VS-059	Brake Stud		2
60	VS-060	Snap Ring	S-8	2
61	TS-0561072	Nut	5/8-18UNF	1
62	VS-062	Timing Belt Pulley		1
63	VB225L100	Belt		1
64	VS-064	Bearing Retainer		1
65	BB-6203ZZ	Ball Bearing	6203ZZ	2
66	VS-066	Bull Gear		1
67	VS-067	Counter Shaft		1
68	VS-068	Key	5X5X15	1
69	VS-069	Key	5x5x18	1
70	VS-070	Spindle Pulley Hub		1
71	VS-071	Key	8x7x24	1
72	VS-072	Key	8x7x12	1
73	VS-073	Spindle Gear Hub		1
74	VS-074	Spindle Gear Assembly		1
75	VS-075	Rack Cup		1
76	VS-076	Washer		1
77	BB-6908ZZ	Ball Bearing		2
78	VS-078	Bearing Washer		1
79	VS-079	Bearing Washer		1
80	VS-080	Snap Ring		1
81	VS-081	Nut		1
82	VS-082	Lower Housing		1
83	VS-083	Fixed Clutch Bracket		1
84	VS-084	Spring		3
85	VS-085	Stud		3
86	TS-1506021	Hex Socket Cap Screw	M12x25	3
87	VS-087	Gear Shift Pinion		1
88	VS-088	Pin		1
89	VS-089	Detent Plate		1
90	VS-090	Detent Washer		1
91	VS-091	Spring		1
92	VS-092	Pinion Block		1
93	TS-1503011	Hex Socket Cap Screw	M5x14	2
94	VS-094	Pinion Crank		1
95	VS-095	Cap Nut		1
96	TS-0561031	Hex Nut	3/8	1
97	VS-097	Snap Ring		1
98	VS-098	Wave Washer		1
99	VS-099	Plastic Ball		1
100	VS-100	Snap Ring		1
101	VS-101B	Cover		2
102	VS-102	Spring Shaft		3
103	VS-103	Washer		1
104	VS-104	Copper Washer		2
105	VS-105	Screw	1/4x3/8	8
106	VS-107	Shaft		1
107	TS-1504061	Hex Socket Cap Screw	M8x30	1
108	VS-120	Key	6x4x32	2
109	VS-109	Lock Washer		1
110	TS-1540041	Hex Nut	M6	1
111	TS-0209051	Hex Socket Cap Screw	3/8x1	4
112	JVM836VSD-000E	Motor	3HP,400V-50HZ	1
113	VS-113	Oval Head Screw	1/8x1/4	4
114	JVM836VSD-001VS	Draw Bar	M12	1
115	JVM836VSD-A002B	Draw Bar Washer		1

Index No.	Part No.	Description	Size	Qty.
116	VS-116	Key	5x5x12	1
117	VS-117	Oval Head Screw	3/16x1/2	1
118	VS-007	Snap Ring		4
119	VS-005A	Plastic Sleeve		2
120	JTM4VS-120	Speed Chart		1
121	JTM4VS-121	Pan Head screw	M4	4
122	JTM4VS-122	Sensor Block		1
123	TS-1521041	Set Screw	M4X10	1
124	XCK-P	Limit Switch		1
125	VS-125	Switch Box		1

Base Assembly



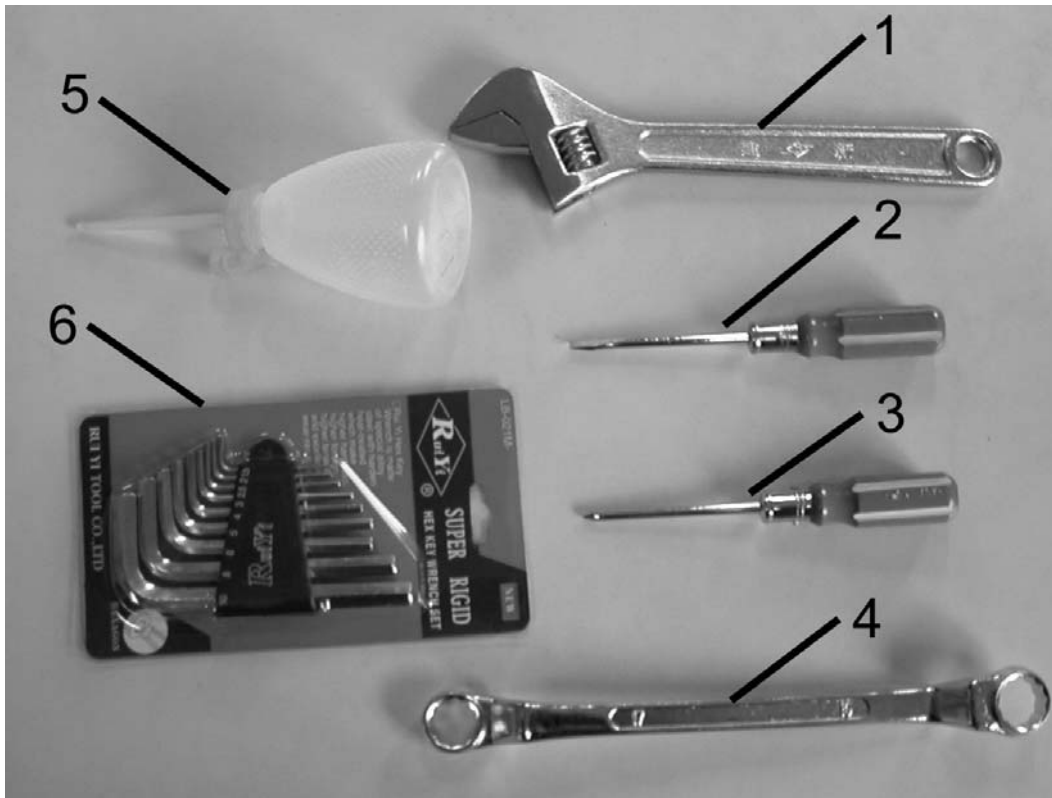
Base Assembly

Index No.	Part No.	Description	Size	Qty.
1	LB-001	Set Screw	M6×30	2
2	LB-023	Gear		1
3	LB-020	Rem Adapter		1
4	LB-004	Snap Ring		1
5	LB-005	Rivet	S-28	2
6	LB-027	Adapter Scale		5
6-1	JTM4VSE-6-1	Zero Index		3
7	LB-035	Worm		1
8	LB-036	Worm Thrust Washer		1
9	LB-034	Shaft		1
10	LB-100	Key	5×5×50	6
11	MB-026E	Ram		1
12	LB-032	Angle Plate		1
13	LB-028	Adapter Pivot Stud		1
14	LB-031	Washer		4
15	LB-030	Adapter Locking Bolt	1/2"×12UNC	3
16	MB-009E	Turret	55°	1
	MB-00B	Turret Scale(not show)		1
17	JTM4VSE-17	Lock Bolt	M12X185L	4
18	LB-041	Ram Pinion Screw	M8×1.25	1
19	LB-011E	Ram/Turret Gib	55°	1
20	LS-005E	Lock Plunger		2
21	LB-014E	Ram Lock Bolt Handle	M12	2
22	LB-015E	Ram Pinion	16T	1
25	SET1060	Set Screw		2
26	TS-0561031	fHex Nut	M10X60	2
27	MB-008E	Spider	M22	1
28	MB-000E	Column	55°	1
29	JTM1-330AE	Table	55°	1
34	LK-002	Gib Adjusting Screw	M8X35	6
36	LS-008E	Saddle/Table Gib	55°	1
37	LS-013	Felt Wiper		2
38	LS-005R	Table Lock Plunger		1
38-1	LS-005L	Table Lock Plunger		1
39	LS-011E	Saddle Lock Handle	M12	5
40	LS-001E	Saddle/Knee Gib	55°	1
41	LS-014E	Wiper Plate	55°	2
42	LS-042E	Screw	M6X12	16
43	MS-000E	Saddle	55°	1
44	LS-017A	Wiper Felt	55°	1
45	LS-016AL	Felt(left)	55°	1
46	LK-001E	Knee/Column Gib	55°	1
47	LS-016AR	Knee/Wiper Felt(right)		1
48	LK-007	Upper Chip Guard		1
49	LK-006	Upper Chip Guard		1
50	MK-000	Knee		1
51	TS-1505031	Hex Socket Cap Screw	M10×40	2
52	MK-012	Elevating Screw Housing		1
53	MK-014	Elevating Screw Nut		1
54	TS-1503041	Hex Socket Cap Screw	M6×16	8
55	TS-0561052	Hex Nut	1/2-20UNF	1
56	LK-058	Key	4×4×30	1
57	LK-022	Washer		1
58	MK-021	Bevel Gear	36T	1

Index No.	Part No.	Description	Size	Qty.
59	BB-6306ZZ	Ball Bearing	6306ZZ	2
60	MK-019	Bearing Retainer Ring		1
61	MK-016E	Elevating Screw	Metric	1
62	LK-037	Handle		1
63	LK-036E	Elevating Crank	8T	1
64	MB-035E	Clutch Insert	8T	1
65	MB-034	Dial Lock Nut		1
66	MB-033	Dial		1
67	MB-032	Dial Holder		1
68	MB-030	Bearing Retainer Ring		1
69	BB-6204ZZ	Ball Bearing		1
70	MB-029	Bearing Cap		1
71	MB-075	Key	4×4×18	2
72	MK-028	Elevating Shaft		1
73	BB-6204ZZ	Ball Bearing	6204ZZ	2
74	MK-024	Bevel Pinion	18T	1
75	LK-003	Plunger	29mmL	1
76	LK-081	Spring Pin	8×30	1
77	LS-010	Saddle Lock Plunger	140MM	1
78	TS-1515001	Hex Socket Cap Screw	M8×12	1
79	MB-040	Oil Plug		1
80	MB-087	Spacer		1
81	MB-039	Turret Scale		1
82	MB-089	Rubber T-Nut		6
83	MB-090	Screw	M6X12	4
84	MK-038	Bushing		1
85	MB-091	Drain Plug		1
86	MB-004	Cover		1
87	MB-041	Strainer Screen		2
88	JTM4VSE-88	Washer		1
97	JTM4VSE-97	Pan Head Screw		1
98	RIBW34	Hoisting Ring	M20	1
99	LB-036	Worm Thrust Washer		1
100	LB-033	Thrust Washer		1
101	LS-018	Pleated Way Cover(front)		1
102	LK-003	Lock Plunger	32 mmL	1
103	LS-017C	flat Way Cover(rear)		1
104	TS-1503051	Hex Socket Cap Screw	M6×20	6
105	KEY3320	Key	3×3×20	1
106	KEY4418	Key	4x4x18	1
107	JTM4VSE-107	Washer	M12	4
108	JTM4VSE-BA-108	Oil Plate		1
109	JTM4VSE-BA-109	Connect Box		1
110	JTM4VSE-BA-110	Bracket		1
111	JTM4VSE-BA-111	Panel		1
112	JTM4VSE-BA-112	Connect Box		1
113	JTM4VSE-BA-113	Screw Coupling		5
114	JTM4VSE-BA-114	Bracket		1
115	JTM4VSE-BA-115	Panel		1
116	TPFA2-F1104	Micro Switch		2
117	TPFA2-F1106	Control Cord	0.75x4Cx1.7M	1
118	G0100-011	Travel Stop		1
119	G0103	Nut		1
120	G0106	Crescent Ring		2
121	G0107	Spring		1
122	G0108	Travel Stop Shaft		1
123	TPFA2-F1103	Limit Switch Cover		1

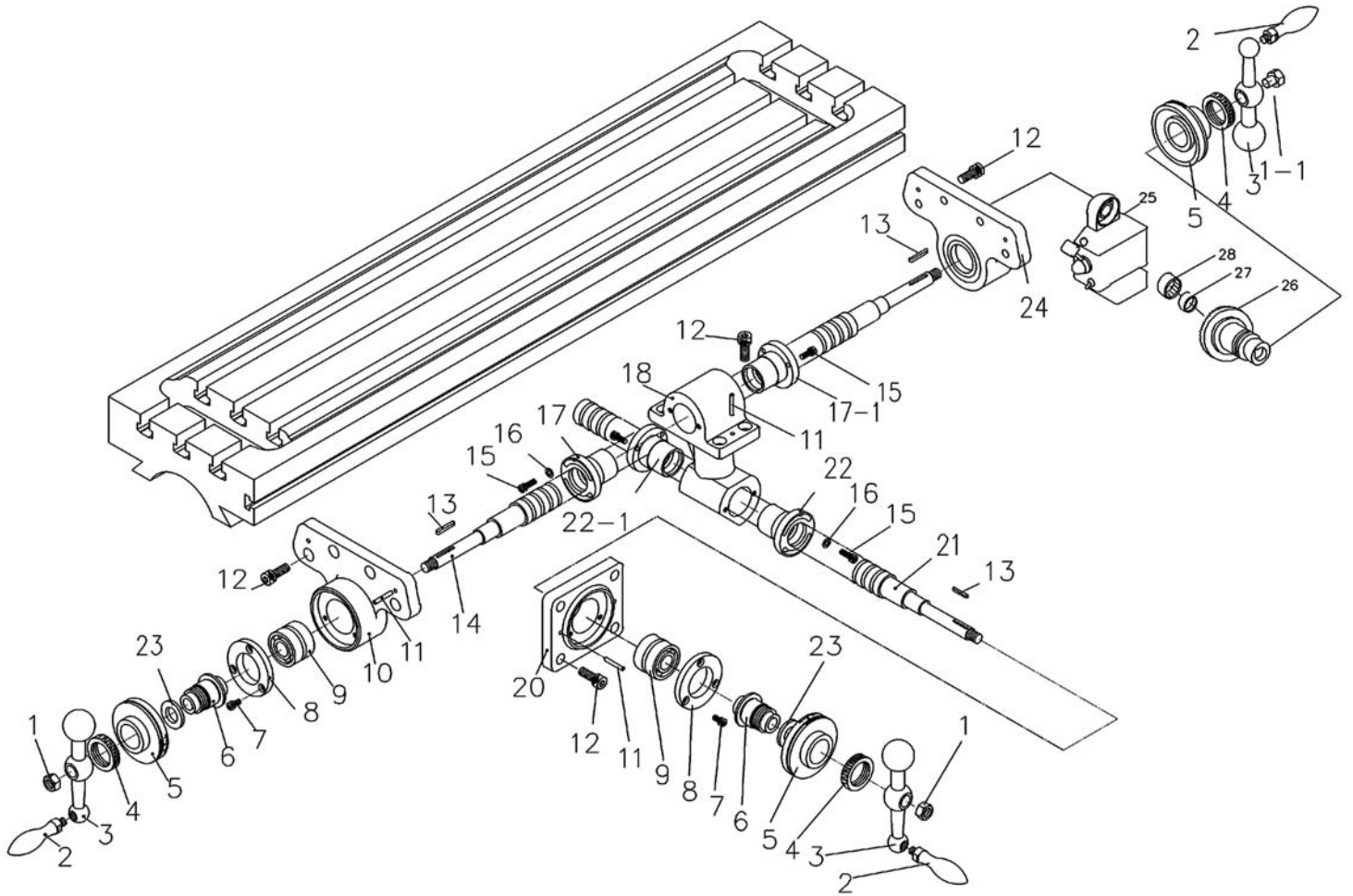
Index No.	Part No.	Description	Size	Qty.
124	TPFA2-F1101	Limit Switch Cover		1
125	P01019	Actuator		2
126	TPFA2-F1102	Hold Plate	30°	1
127	T13020	Screw	3x20mm	4
128	T20003	Set Screw	5/16"x1"	1
129	W04001	Washer	1x ψ 5x ψ 12	1
130	W10080	Washer	1x ψ 8x ψ 18	1

Tool box Assembly



Index No.	Part No.	Description	Size	Qty.
1	TB-1	Monkey Wrench		1
2	TB-2	Flat Head Screwdriver		1
3	TB-3	Cross Point Screwdriver		1
4	TB-4	Double Offset Ring Spanner	17&19	1
5	TB-5	Oil Can		1
6	TB-6	Hex Socket Wrench Set		1

Lead Screw Assembly



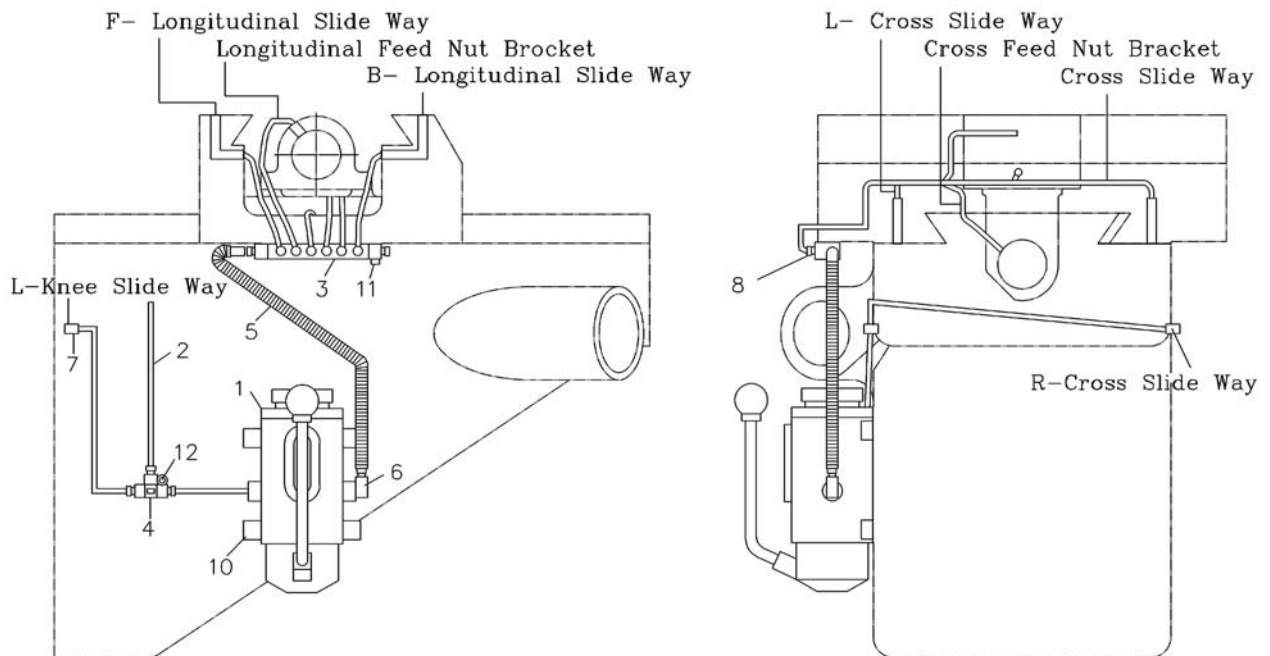
Parts List for Lead Screw Assembly

Index No.	Part No.	Description	Size	Qty.
1	TS-0571052	Jam Nut	1/2-20UNF	2
1-1	TPFA-01	Special Nut		1
2	VM-I2-1	Handle		3
3	VM-I2C	Ball Crank(Clutch)		3
4	LT-009	Dial Lock Nut		3
5	VM-I5TE	Dial	Metric	3
6	LT-007	Dial Holder		2
7	TS-150301	Hex Socket Cap Screw	M6×12	6
8	LT-005	Bearing Retainer Ring		2
9	BB-6204ZZ	Ball Bearing		3
10	LT-002	Bearing Bracket		1
11	LT-009	Spring Pin	5×30	6
12	TS-1505031	Hex Socket Cap Screw	M10×25	16
13	LT-014A	Key	3×3×25	3
14	MT-015DE	Lead screw	Metric	1
15	TS-1503041	Hex Socket Cap Screw	M6×16	10
16	TS-1550051	Washer	M6	4
17	MT-019BE	Feed Screw Nut	Metric	2
18	MT-017	Feed Nut Bracket		1
20	MT-025	Cross Feed Bearing Bracket		1
21	MT-024E	Cross Feed Screw	Metric	1
22	MT-022E	Cross Feed Nut	Metric	2
24	TPFA-A0113N	Adapter		1
25	TPFA-2X	X Axis Power Feed Assembly		1
26	TPFA2-A010003	Bevel Gear	5/8"x1/8"	1
27	A0101B	Inner Ring		1
28	A0101C	Needle Bearing		1

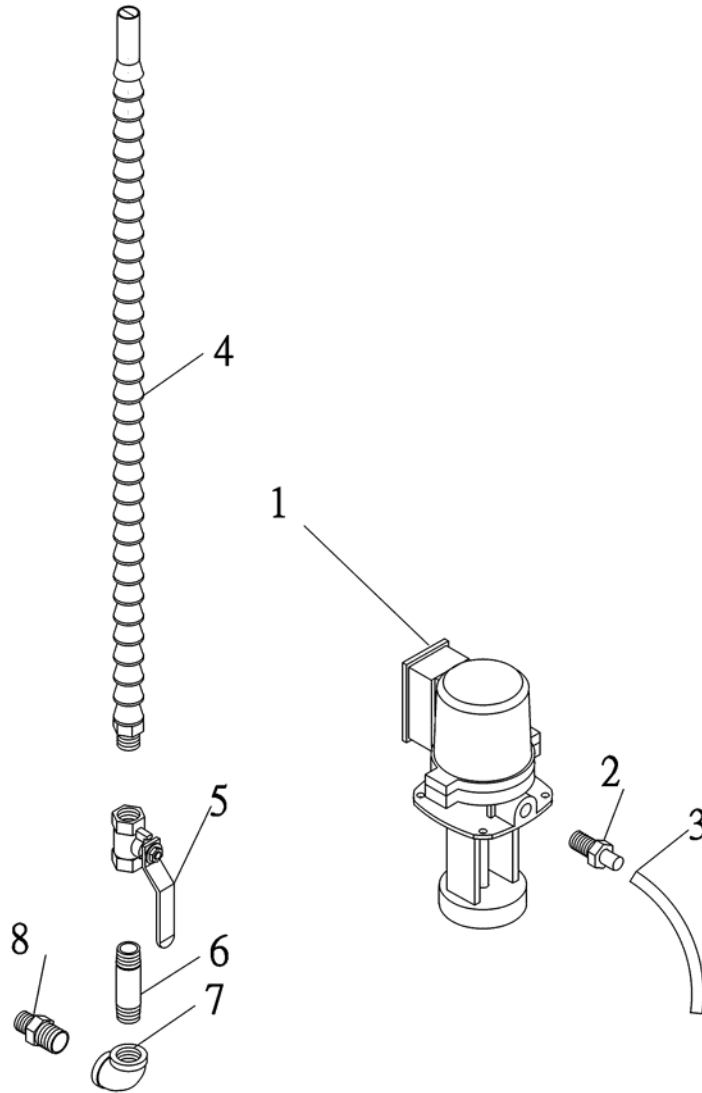
Parts List for One-Shot Lubrication System

Index No.	Part No.	Description	Size	Qty
1	LT-8	Hand Oiler		1
2	ALMP-04	Aluminum Pipe	3.5M	1
	ALMP-04-VS	Oil Line Set w/Fittings		1
3	DB-4	Oil Regulating Distributor		1
4	PKD-4	T-Joint		1
5	FHC-404	Flexible Steel Tube		1
6	PH-1-1/PB-4	Check Joint		2
7	PH-4	Elbow Joint		2
8	PA-4/PB-4	Thimble Nut/Thimble		14
10	JTM4VS-BUTW1458	Screw	1/4"	4
11	TS-1503061	Hex Socket Cap Screw	M6 X 25	2
12	TS-1502061	Hex Socket Cap Screw	M5 X 25	1

One-Shot Lubrication System

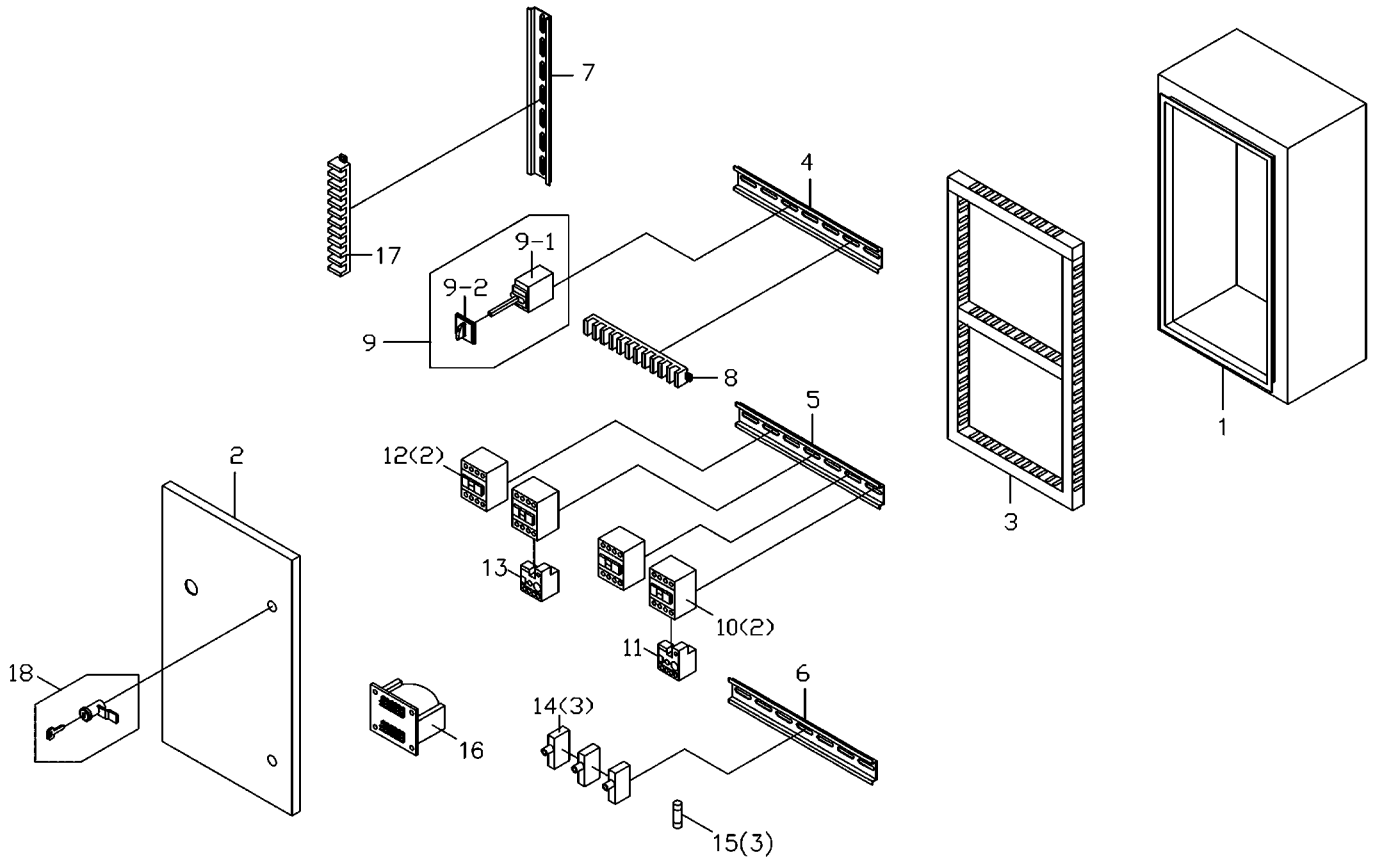


Coolant Pump Assembly



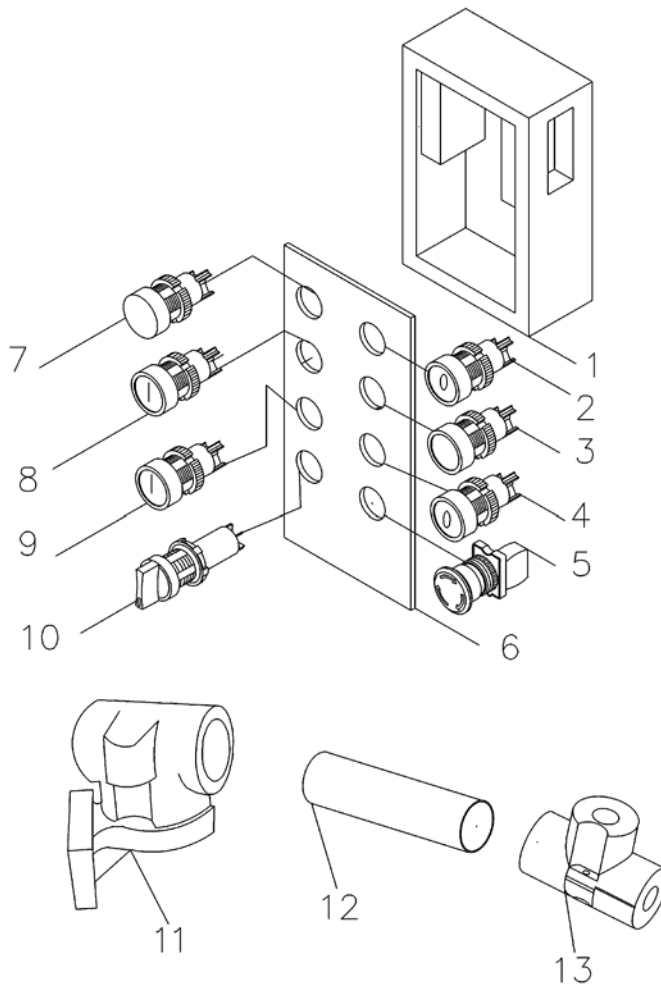
Index No.	Part No.	Description	Size	Qty.
1	JVM836VSD-P01E	Coolant pump	400V, 50Hz	1
2	JVM836VSD-CP-4	Connect Elbow		1
3	JVM836VSD-CP-5	Hose		1
4	JVM836VSD-CP-6	Nozzle		1
5	JVM836VSD-CP-7	Valve		1
6	JVM836VSD-CP-8	Extend Elbow		1
7	JVM836VSD-CP-9	90° Joint		1
8	JVM836VSD-CP-10	Connect Elbow		1

Electrical Box Assembly



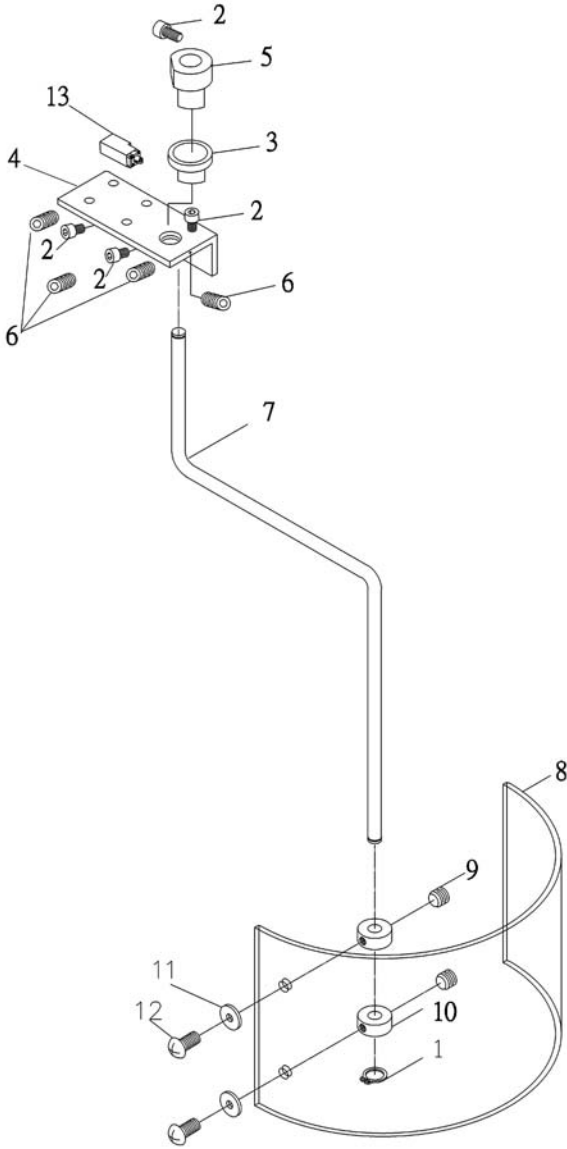
Index No.	Part No.	Description	Size	Qty.
1	JTM4VSE-EB-1E	Electrical Box Base		1
2	JTM4VSE-EB-2E	Electrical Box Cover		1
3	JTM4VSE-EB-3E	Wire Cover		1
4	JTM4VSE-EB-4E	Bracket (upper)		1
5	JTM4VSE-EB-5E	Bracket (middle)		1
6	JTM4VSE-EB-6E	Bracket (lower)		1
7	JTM4VSE-EB-7E	Bracket (right)		1
8	JTM4VSE-EB-8E	Terminal		1
9	JTM4VSE-EB-9E	Door Switch Assembly		1
9-1	JTM4VSE-EB-9-1E	Door Switch		1
9-2	JTM4VSE-EB-9-2E	Door Switch Knob		1
10	JTM4VSE-EB-10E	Contactor (Motor)		2
11	JTM4VSE-EB-11E	Overload (Motor)		1
12	JTM4VSE-EB-12E	Contactor (Pump)		2
13	JTM4VSE-EB-13E	Overload (Pump)		1
14	JTM4VSE-EB-14E	Fuse Bracket		3
15	JTM4VSE-EB-15E	Fuse	2A	3
16	JTM4VSE-EB-16E	Transformer		1
17	JTM4VSE-EB-1AE	Terminal		1
18	JTM4VSE-EB-18E	Lock w/ Key		2

Operation Panel Assembly



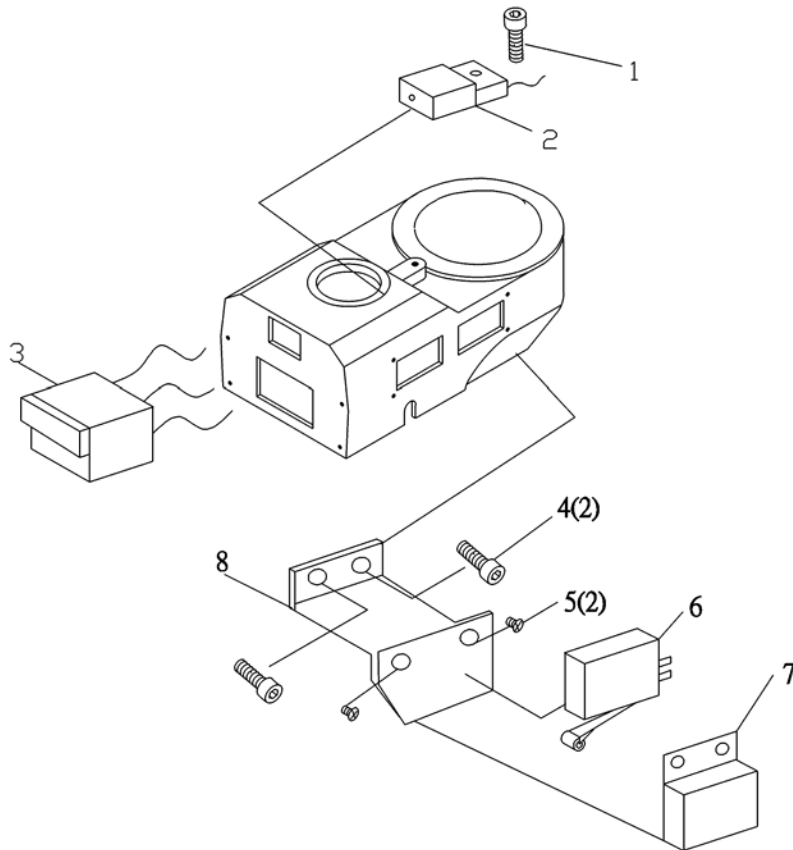
Index No.	Part No.	Description	Size	Qty.
1	JTM4VSE-OP-1E	Operation Box		1
2	JTM4VSE-OP-2E	Spindle Stop Switch		1
3	JTM4VSE-OP-3E	Reverse Switch		1
4	JTM4VSE-OP-4E	Power Feed Stop Switch		1
5	JTM4VSE-OP-5E	Emerge Stop Switch		1
6	JTM4VSE-OP-6E	Panel		1
7	JTM4VSE-OP-7E	Power Light		1
8	JTM4VSE-OP-8E	Forward Switch		1
9	JTM4VSE-OP-9E	Power Feed Start Switch		1
10	JTM4VSE-OP-10E	Coolant Pump Switch		1
11	JTM4VSE-OP-11E	Bracket		1
12	JTM4VSE-OP-12E	Support Rod		1
13	JTM4VSE-OP-13E	Bracket		1

Swing Away Safety Shield Assembly



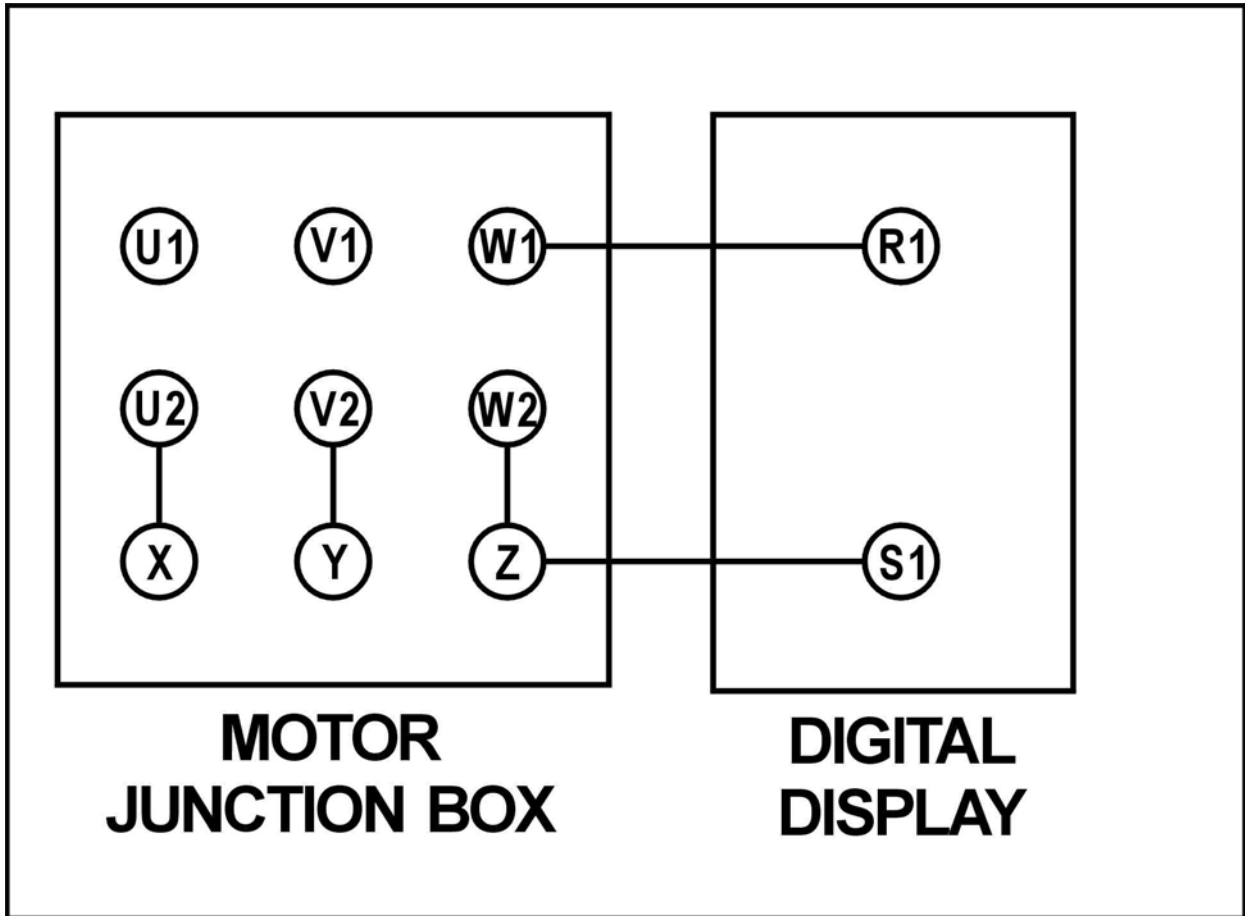
Index No.	Part No.	Description	Size	Q'ty
2	JVM836VSD-SG-02	Hex Socket Cap Screw	M8	4
3	JVM836VSD-SG-03E	Adjusting Bracket		1
4	JVM836VSD-SG-04E	Support Bracket		1
5	JVM836VSD-SG-05E	Turning Bracket		1
6	JVM836VSD-SG-06	Set Screw	M8	4
7	JVM836VSD-SG-07	Turning Rod		1
8	JVM836VSD-SG-08	Clear Plastic Cover		1
9	JVM836VSD-SG-09	Set Screw	5/16"	2
10	JVM836VSD-SG-10	Collar		2
11	JVM836VSD-SG-11	Flat Washer	ø25xt3mm	2
12	JVM836VSD-SG-12	Cross Round Screw	5/16"	2
13	JVM836VSD-SG-13	Limit Switch		1

Digital Read Out Assembly



Index No.	Part No.	Description	Size	Q'ty
1	TS-1501041	Hex. Socket Cap Screw	M4x12	1
2	JVM836VSD-DRO-2	Sensor		1
3	JVM836VSD-DRO-3	display		1
4	TS-1501041	Hex. Socket Cap Screw	M4x12	2
5	JVM836VSD-DRO-5	Pan Head Screw	M4x12	2
6	JVM836VSD-DRO-6	Limit Switch		1
7	JVM836VSD-DRO-7	Protecting Cover		1
8	JVM836VSD-DRO-8	Limit Switch Bracket		1

Digital Read Out Wiring Schematics



JTM4VSE 5000110T

400/50/3

	colour of strands	Litzenfarben	couleur des cordons
BK	black	schwarz	noir
WH	white	weiß	blanc
BU	blue	blau	bleu
YE	yellow	gelb	jaune
RD	red	rot	rouge
BN	brown	braun	brun
GY	grey	grau	gris
GNV	green-yellow	grün-gelb	vert-jaune
OG	orange	orange	orange
VT	violet	violett	violet

	meaning of symbol	Bedeutung der Zeichen	interprétation
M1	main motor	Hauptmotor	moteur principal
M2	pump motor	Kühlmittelmotor	moteur pompe
PF	powerfeed	Vorschub	avance automatique
QS1	door switch	Türschalter	Interrupteur de port
SB1	emergency stop switch	Not-Aus Schalter	arrêt d'urgence
SB2	off switch	Aus-Schalter	bouton arrêt
SB3	forward switch	Schalter Rechtslauf	bouton a droite
SB4	reverse switch	Schalter Linkslauf	bouton a gauche
SA1	pump switch	Kühlmittel-Schalter	commutateur pompe
SB7	powerfeed on	Vorschub-EIN	marche d'entraîneur
SB8	powerfeed off	Vorschub-AUS	arrêt d'entraîneur
KM1	contactor for forward	Schütz Rechtslauf	contacteur a droite
KM2	contactor for reverse	Schütz Linkslauf	contacter a gauche
KM3	contactor for coolant pump	Kühlmittel Hauptschütz	contacteur pompe
KM6	contactor for powerfeed	Schütz Vorschub	Contacteur entraineur
OL	overload cut-off	Überlastschuttschalter	déclencheur surcharge
LS	limit switch	Positionsendschalter	micro
TR	transformer	Transformator	transformateur
F	fuse	Sicherung	fusible
L	indicator lamp	Anzeigenlampe	lampe d'indication

