

JET

JTM-836TS

Metalworking Mill

50000154T...380/50/3

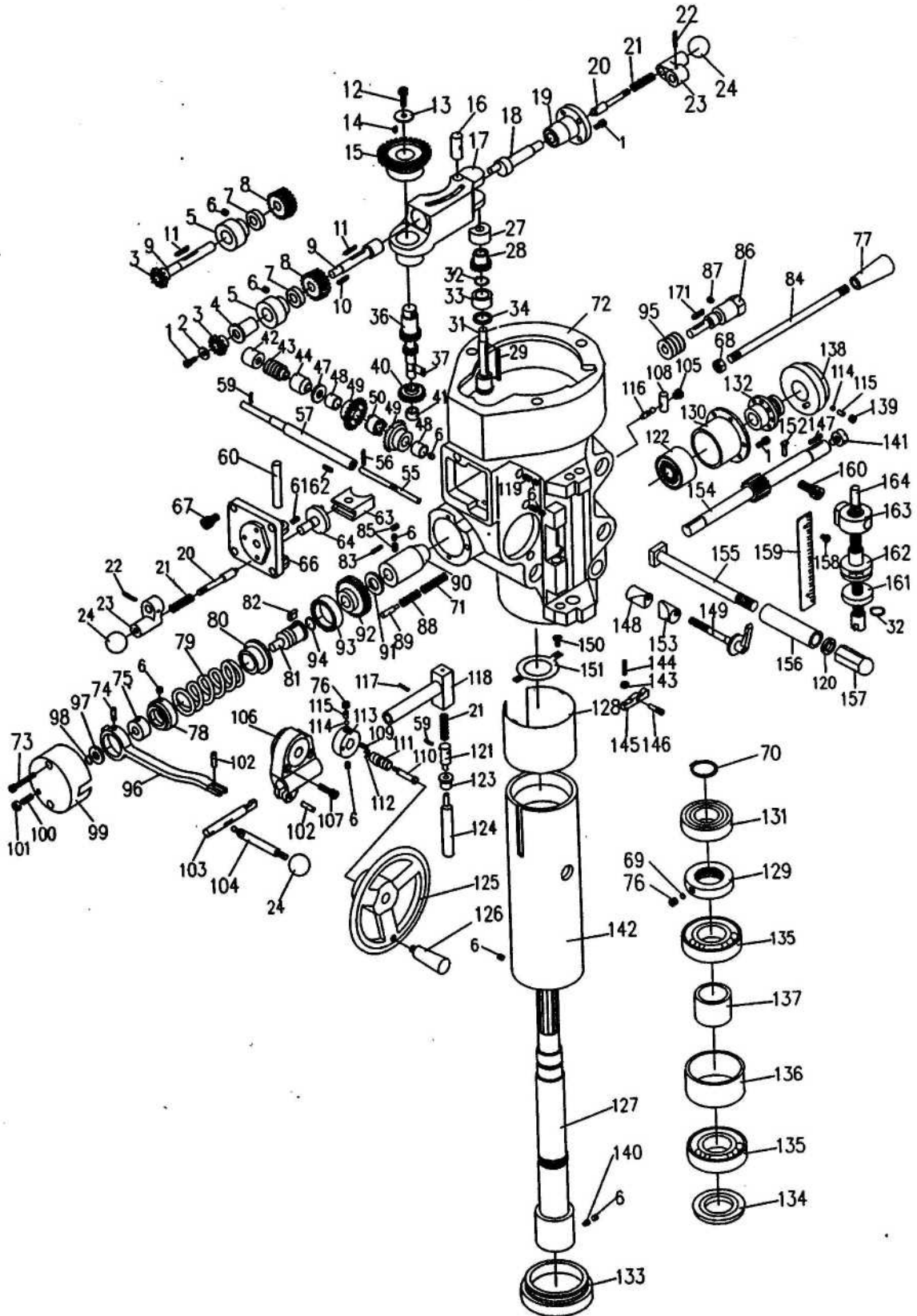
Parts List

WMH Tool Group AG
Bahnstrasse 24,
CH – 8603 Schwerzenbach
www.wmhtoolgroup.ch
info@wmhtoolgroup.ch
Tel +41 (0)44 806 47 48
Fax +41 (0) 44 806 47 58

P-50000154T...08/05



Breakdown for JTM-836TS Mill Head Assembly



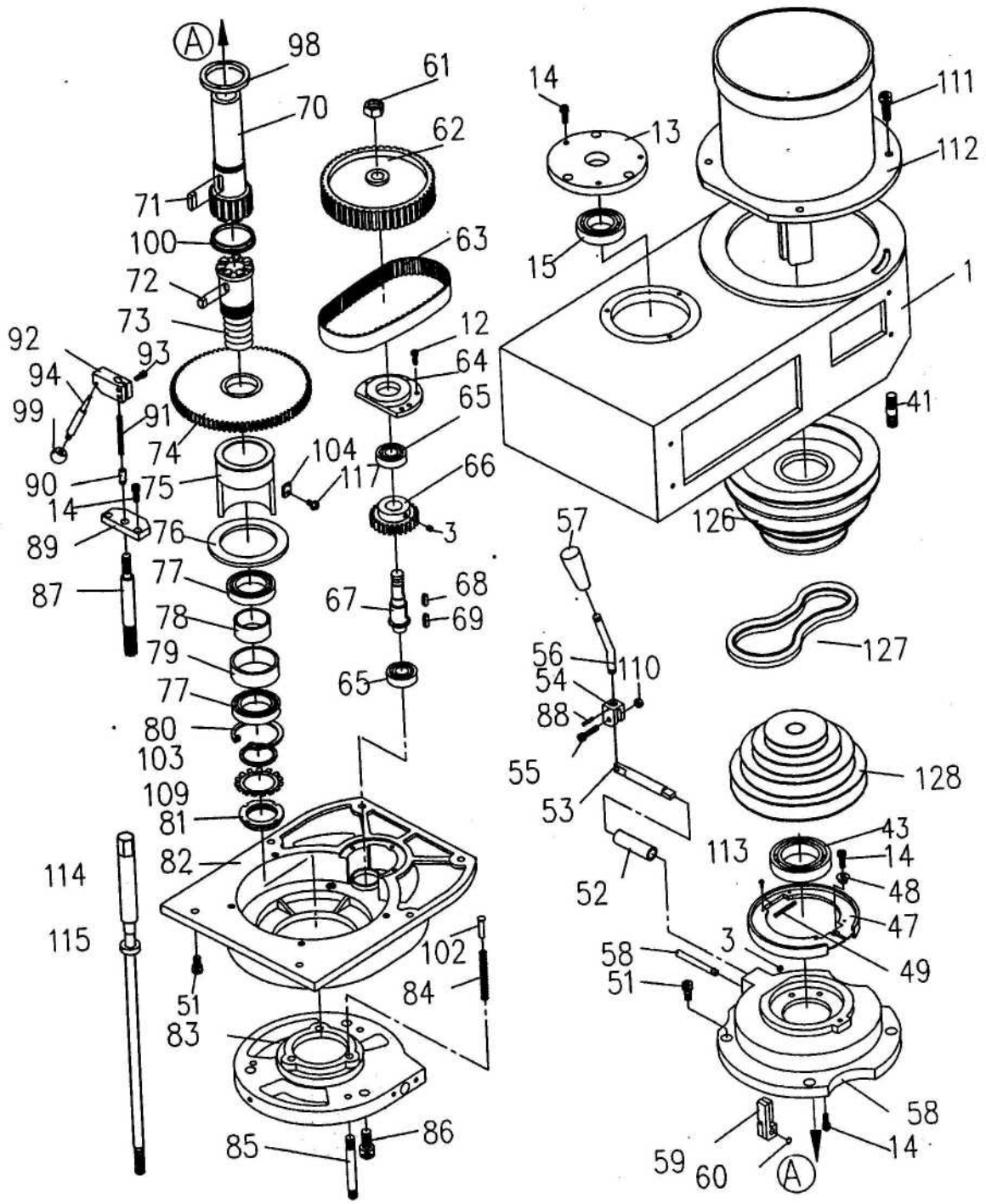
Head Assembly

№	№ детали	обозначение	размер	кол-во
1	TS-1533042	Screw	M5x10	6
2	HA-002	Bevel Pinion Washer		1
3	LA-166A	Feed Gear		1
4	LA-161	Shaft Sleeve		1
5	LA-162	Worm Cradle Bushing		1
6	TS-1523011	Set Screw	M6x6	9
7	LA-163	Worm Gear Spacer		1
8	LA-164	Feed Drive Worm Gear		1
9	LA-165	Worm Gear Shaft		1
10	HA-010	Worm Shaft Key	3x3x8	1
11	KEY3320	Key	3x3x20	1
12	HA-012	Hex Socket Cap Screw	M6X16	1
13	LA-166A	Washer	Ø 6	1
14	HA-014	Cluster Gear Key	3x3x8.5	1
15	LA-154	Feed Reverse Bevel Gear		1
16	LA-167	Feed Engage Pin		1
17	LA-166	Worm Gear Cradle		1
18	LA-066	Cam Rod		1
19	LA-002	Shift Sleeve		1
20	LA-004	Plunger		2
21	LA-005	Spring		3
22	HA-022	Spring Pin	3x22	2
23	LA-033	Cam Rod		2
24	LA-006	Plastic Ball		3
27	LA-147	Upper Bushing		1
28	LA-144	Cluster Gear Assembly		1
29	HA-029	Cluster Gear Key	3x3x45	1
31	LA-143	Cluster Gear Shaft		1
32	HA-032	Snap Ring		2
33	LA-142	Bevel Gear Bushing		1
34	LA-141	Thrust Spacer		1
36	LA-156	Feed Drive Gear		1
37	KEY3310	Key	3x3x10	1
40	LA-157	Feed Drive Gear		1
41	HA-041	Needle Bearing		1
42	LA-168	Bushing		1
43	LA-139	Worm		1
44	LA-138	Feed Worm Shaft Bushing		1
47	LA-137	Bevel Gear Thrust Spacer		1
48	LA-134	Bushing		2
49	LA-135	Feed Reverse Bevel Gear		2
50	LA-136	Feed Reverse Clutch		1
55	LA-132	Reverse Clutch Rod		1
56	HA-056	Spring Pin	3x20	1
57	LA-133	Feed Worm Shaft		1
59	HA-059	Spring Pin	3x12	2
60	LA-150	Feed Shift Rod		1
61	TS-1522031	Set Screw	M5x10	1
62	HA-062	Key	3x3x15	1
63	LA-149	Feed Gear Shift Fork		1
64	LA-151	Cluster Gear Shift Crank		1
66	LA-148	Cluster Gear Cover		1
67	TS-1504011	Hex Socket Cap Screw	M8x10	4
68	TS-1524011	Set Screw	M8x8	1
69	HB1291	Lock Washer		1
70	RINS30	Snap Ring		1

№	№ детали	обозначение	размер	кол-во
71.	HA-193 Spring 10x20	1		
72	LA-016	Quill Housing		1
73	TS-1502081	Hex Socket Cap Screw	M5x35	2
74	LA-081	Clutch Ring Pin		2
75	LA-080	Clutch Ring		1
76	TS-1524011	Set Screw	M8x8	2
77	LB-017	Plastic Ball		1
78	LA-082	Overload Clutch Lockout		1
79	LA-083	Safety Clutch Spring		1
80	LA-084	Overload Clutch		1
81	LA-085	Overload Clutch Sleeve		1
82	LA-090	Key		1
83	TS-1532052	Pan Head Machine Screw	M4x16	3
84	LA-105	Handle		1
85	TS-1523031	Set Screw	M6x10	2
86	LA-019	Worm Shaft		1
87	LA-173	Set Screw		1
88	LA-169	Spring		1
89	LA-089	Spring Plunger		1
90	LA-123	Pinion Shaft Bushing		1
91	LA-122	Spacer		1
92	LA-087	Overload Clutch Worm Gear		1
93	LA-086	Overload Clutch Ring		1
94	HA-094	Snap Ring		1
95	LA-018	Worm Gear		1
96	LA-079	Trip Lever		1
97	LA-078	Washer		1
98	HA-098	Snap Ring		1
99	LA-076	Clutch Arm Cover		1
100	TS-1523051	Set Screw	M6x10	1
101	HA-101	Locknut		1
102	LA-077	Pin		3
103	LA-091	Cam Rod		1
104	LA-100	Trip Handle		1
105	LA-124	Screw	1	
106	LA-09209	Feed Trip Bracket		1
107	TS-1503051	Hex Socket Cap Screw	M6x20	2
108	LA-114	Reverse Knob		1
112	HA-11	Plunger		1
109	HA-1	Key	3x3x10	1
110	LA-130	Feed Reverse Knob Stud		1
111	LA-1312	Snap Ring		1
113	LA-129	Hand wheel Clutch		1
114	SB-3/16	Steel Ball	.3/16	2
115	HA-115	Spring		2
116	LA-113	Lever		1
117	HA-117	Spring Pin		1
118	LA-093	Cam Rod Sleeve Assembly		1
119	TS-1523011	Set Screw	M6x6	2
120	TS-0680061	Washer	1/2	4
121	LA-095	Trip Plunger		1
122	LA-102	Clock Spring		1
123	LA-121	Bushing		1
124	LA-097	Feed Trip Plunger		1
125	LA-126	Hand wheel		1
126	LA-125	Handle		1

№	№ детали	обозначение	размер	кол-во
127	LA-050AE	Spindle	NT#30	1
128	LA-060	Quill Skirt		1
129	LA-048	Lock Nut		1
130	LA-103	Spring Cover		1
131	BB-6206ZZ	Ball Bearing		1
132	LA-104	Hub Sleeve		1
	LA-102/3	Clock Spring Assembly		1
133	LA-051E	Nose Piece		1
134	LA-052	Spindle Shield		1
135	BB-7207C	Ball Bearing		2
136	LA-054	Bearing Spacer (large)		1
137	LA-053	Bearing Spacer (small)		1
138	LA-106	Hub		1
139	TS-0270021	Set Screw	5/16x1/4	1
140	LA-172	Set Screw		1
141	LA-107	Pinion Shaft Hub		1
142	LA-058	Quill		1
143	TS-154021	Hex Nut	M4	1
144	TS-1521071	Set Screw	M4x20	1
145	LA-098	Feed Trip Lever		1
146	LA-099	Trip Lever Pin		1
147	HA-171	Key		2
148	LA-111	Quill Lock Sleeve		1
149	LA-109	Lock Handle		1
150	HA-150	Screw	M5x10	2
151	LA-057	Felt Washer		1
152	LA-101A	Pin		1
153	LA-110	Quill Lock Sleeve		1
154	LA-101	Quill Pinion Shaft		1
155	LA-043	T-Bolt Assembly		4
156	LA-046	Spacer		4
157	LA-040	Lock Nut		4
158	HA-158	Screw	M4x5	2
159	LA-118E	Micrometer Scale	Metric	1
160	LA-165A	Screw	3/8-24UNFx3/4	1
161	LA-115	Quill Micro-Stop Nut		1
162	LA-116E	Micrometer Nut	Metric	1
163	LA-117E	Quill Stop Knob		1
164	LA-112E	Quill Micro-Screw	Metric	1

Upper Head Assembly

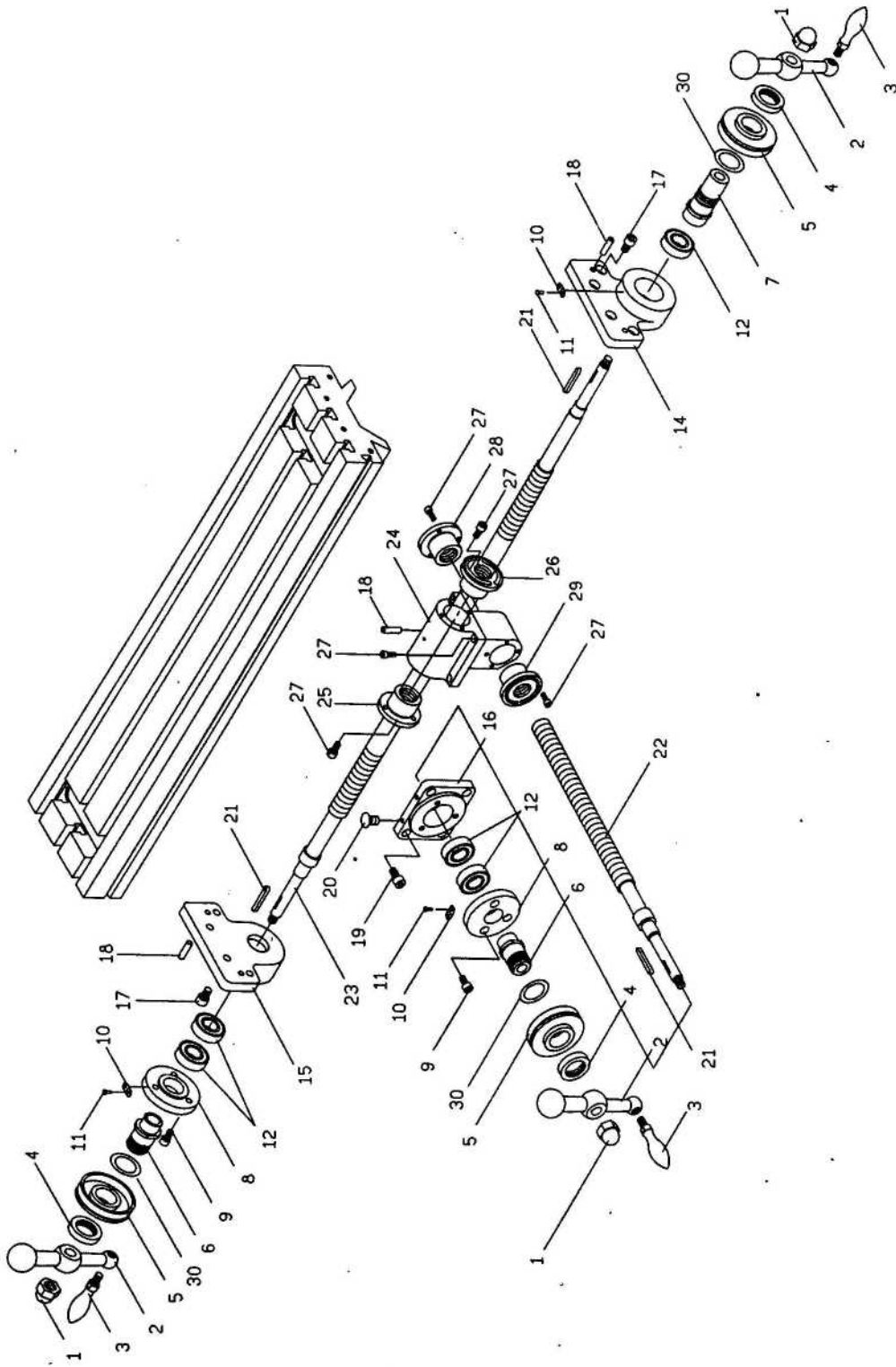


Upper Head Assembly

№	№ детали	обозначение	размер	кол-во
1	X260011	Upper Pulley Cover		1
3	SS86	Set Screw	M8x6	4
12	HS516	Hex. Socket Cap Screw	M5x16	4
13	X260131	Upper Cover		1
14	HS620	Hex Socket Cap Screw	M6x20	10
15	BB6007	Ball Bearing	6007ZZ	1
41	X260411	Stud		1
43	BB6010	Ball Bearing	6010W	1
47	X260471	Brake		1
48	X260481	Rod		1
49	X260491	Spring		2
51	HS620	Hex Socket Cap Screw	M6x20	4
52	X260521	Brake Cam		1
52-1	X260521-1	E Ring (Not shown)	S12	1
53	X260531	Brake Rod		1
54	X260541	Brake Bracket		1
55	HS625	Hex Socket Cap Screw	M6x25	1
56	X260561	Handle		1
57	X260571	Handle		2
58	X260581	Hand Rod		1
59	X260591	Brake Bracket		2
60	X260601	Washer	E-7	2
61	BT5/8-18	Hex. Cap Screw	5/8-18UNF	1
62	X260621	Timing Wheel		1
63	X260631	Timing Belt	225L	1
64	X260641	Ball Bearing Bracket		1
65	BB6203	Ball Bearing	6203ZZ	2
66	X260661	Gear		1
67	X260671	Gear Shaft		1
68	DRK5515	Double Round Key	5x5x15	1
69	DRK5515	Double Round Key	5x5x15	1
70	X260701	Half Quill		1
70-1	X260701-1	Gear Washer (Not shown)	AW07	1
70-2	X260701-2	Jam (Not shown)	.AN07	1
71	DRK8724	Double Round Key	8x7x24	1
72	DRK7725	Double Round Key	7x7x25	1
72-1	DRK8807	Double Round Key	8x8x7	1
73	X260731	Gear Rod		1
74	X260741	Gear		1
75	X260751	Bear Sleeve		1
76	X260761	Washer		1
77	BB6908ZZ	Ball Bearing	6908ZZ	2
78	X260781	Small Spacer		1
79	X260791	Big Spacer		1
80	X260801	C-Ring		1
81	X260811	Nut		1
82	X260821	Gear Box Housing (Include #83)		1
83	X260831	Brake Bottom bracket (Include #82)		1
84	X260841	Pressure Spring		3
85	X260851	Double Screw	7/16"	3
85-1	X260851-1	Spring Washer (Not shown)	7/16"	3
85-2	X260851-2	Hex Nut (Not shown)	7/16"	3
87	X260871	Speed Rod		1
88	X260881	Pin		1
89A	X260891	Connect Plate		1
90	X260901	Hi/Low Sleeve		1
91	X260911	Spring		1

№	№ детали	обозначение	размер	кол-во
92	X260921	Connect Bracket		1
93	HS516	Hex. Socket Cap Screw	M5x16	2
94	X260941	Handle		1
98	X260981	Spacer	50	1
99	X260991	Ball Handle		1
100	X261001	Timing Wheel Sleeve		1
102	X261021	Spring Rod		3
103	X261031	washer		1
104	X261041	Nut		2
108	DRK6432	Double Round Key	6x4x32	2
109	X261091	Spring washer		1
110	X261101	Nut	M6	1
111	HS3/8-1	Hex Socket Cap Screw	3/8x1	4
112	X261121	Motor	2.2kW	1
112-1	X261121-1	Key (Not shown)		1
112-2	X261121-2	Handle (Not shown)		1
113	PH1/8-3/8	Pan head Cross Screw	1/8x3/8	4
114	X261141	Rod	#30	1
115	X261151	Spacer		1
117	PH3/16-1/2	Pan Head Screw	.3/16x1/2	1
126	X261261	Motor Pulley		1
126-1	X261261-1	Washer (Not shown)		1
126-2	HS825	Hex Socket Cap Screw(Not shown)	M8x25L	1
127	X261271	Belt		1
128	X261281	Spindle Pulley		1

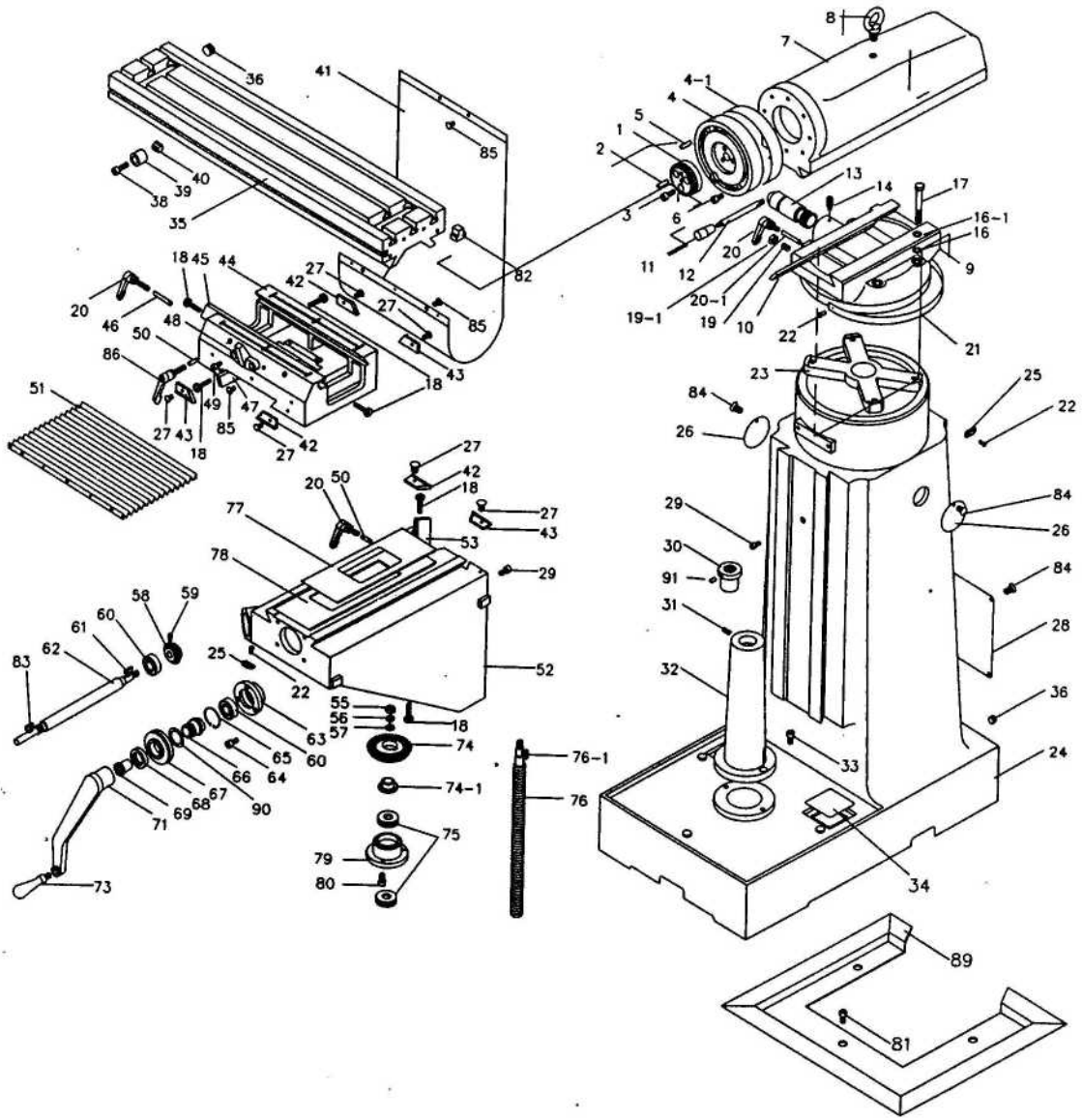
Lead Screw Assembly



Lead screw Assembly

№	№ детали	обозначение	размер	кол-во
1	VM-11	Castle Nut	M12	3
2	VM-I2	Handle		3
3	VM-12-1	Ball Handle		3
4	VM-I3T	Knurled Nut		3
5	VM-I5TE	Dial	metric	3
6	VM-I24T	Dial Holder		2
	VM-I24TA	Dial Holder Assembly (Include #4,5,6,30)		1
7	VM-I6T	Dial Holder		1
	VM-I6TA	Dial Holder Assembly (Include #4,5,7,30)		1
8	VM-I8	Bearing Retaining Cover		2
9	TS-1515011	Hex Socket Cap Screw	M8x16	6
10	VM-M26	Limit Plate		3
11	VM-M26-1	River		6
12	BB-6204	Ball Bearing	6204ZZ	5
14	VM-114	Bearing Bracket		1
15	VM-118	Bearing Bracket		1
16	VM-J11	Bearing Block		1
17	VM-113	Hex. Socket Screw	M10x16	8
18	VM-112	Taper Pin	08x130	6
19	TS-1515021	Hex Socket Cap Screw	M8x20	4
20	JVM836-20B	Flat Screw	M6x6	2
21	VM-I4	Whitney Key	3x3x28	3
22	VM-J16TE	Lead Screw	6mm	1
23	VM-I15TE	Lead Screw	6mm	1
24	VM-J28	Feed Nut Bracket		1
25	VM-J26-1TE	Feed Screw Nut	6mm	1
26	VM-J26TE	Feed Screw Nut	6mm	1
27	TS-1514021	Hex. Socket Screw	M6x16	14
28	VM-J25-1TE	Feed Screw Nut	6mm	1
29	VM-J25TE	Feed Screw Nut	6mm	1
30	JVM836-T30	Spacer		3

Base Assembly

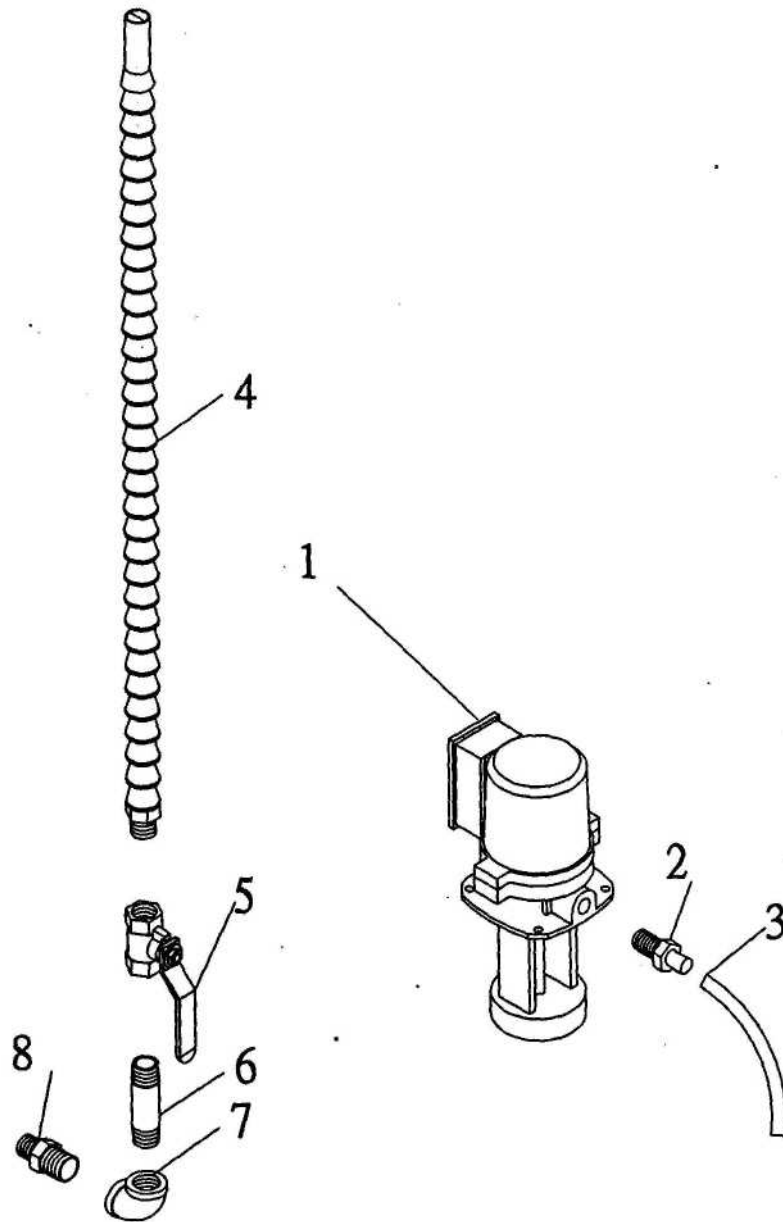


Base Assembly

№	№ детали	обозначение	размер	кол-во
	VM-L11T	Worm Gear		1
2	VM-L13	Taper Pin	Ø 8x150	1
3	TS-1505031	Hex Socket Cap Screw	M10x25	3
4	VM-L10E	Graduation Dial		1
4-1	VM-L10-1	Graduation Dial Plate		1
5	VM-L9	Taper Pin	Ø 8x130	2
6	TS-1515011	Hex Socket Cap Screw	M8x16	8
7	VM-L15	Ram		1
8	JVM836-08B	Eye Bolt	M16	1
9	VM-L6	Turret		1
10	VM-L5	Turret Gib		1
11	VM-L1-1T	Knob		1
12	VM-L1T	Handle		1
13	VM-L3T	Pinion Shaft		1
	VM-L3TA	Pinion Shaft Assembly (Include #11,12,13)		1
14	VM-L2	Full Dog Point Set Screw	M6x12	1
16	TS-1550081	Flat Washer	M12	4
16-1	TS-1551081	Lock Washer	Ø 12	4
17	VM-K12N	Stud	M12x115	4
18	JVM836-18B	Adjustable Screw		6
19	TS-1523021	Set Screw	M6x10	2
19-1	TS-1540041	Hex Nut	M6	2
20	VM-L4	Lock Handle	M10x40	5
20-1	VM-L4-1	Shoe		2
21	VM-L7	Graduated Scale		1
22	VM-L7-1	Rivet	Ø 2	7
23	VM-K11	Spider Arm		1
24	VM-K9	Base		1
25	VM-K17	Limit plate		2
26	VM-K5	Plate		2
27	JVM836-27BT	Cross Round Cap Screw	M5x12	6
28	VM-K13	Plate		1
29	JVM836-29	Hex. Socket Screw	M8x12	2
30	VM-H29E	Elevating Nut		1
31	TS-1523051	Set Screw	M6x15	1
32	VM-H30	Elevation Screw Stand		1
33	VM-H30-1	Hex Socket Cap Screw	M10x30	2
34	VM-K2	Strainer Net		2
35	VM-I37	Table		1
36	VM-I40	Oil Plug	3/8"PT	2
38	VM-I33-2	Hex. Socket Screw	M8x20	2
39	VM-I33	Stop Ring		2
40	VM-133-1	T-Nut		2
41	VM-C-100	Dust Plastic		1
42	VM-H32	Wiper		3
43	VM-H32-1	Wiper		3
44	VM-J36	Saddle		1
45	VM-I32	Table Gib		1
46	VM-J39-1	Shoe		2
47	VM-J20	Saddle Gib		1
48	VM-J30	Table Stop Bracket		1
49	TS-1515021	Hex Socket Cap Screw	M8x20	2
50	VM-J29-1	Shoe		4
51	VM-C-101	Dust Plastic		1
52	VM-H35	Knee		1

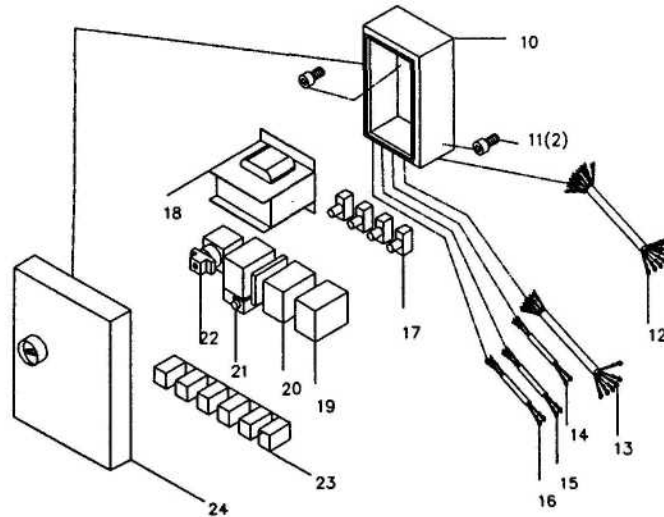
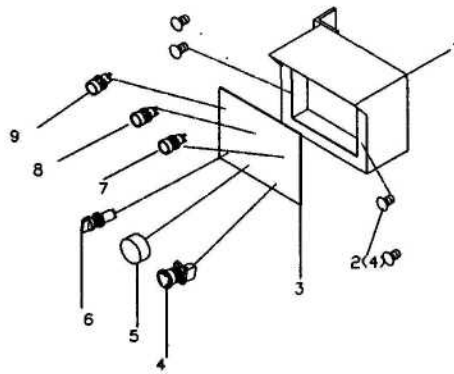
№	№ детали	обозначение	размер	кол-во
53	VM-H34	Knee Gib		1
55	TS-1540081	Hex Nut	M12	1
56	TS-1551081	Lock Washer	Ø 12	1
57	TS-1550081	Flat Washer	M12	1
58	VM-H17T	Helical Bevel Gear	18T	1
59	TS-1523031	Set Screw	M6x6	1
60	BB-6204	Ball Bearing	6204ZZ	2
61	VM-H6	Whitney Key	4x4x16	3
62	VM-H12T	Shaft		1
63	VM-H11	Bearing Block		1
64	TS-1514021	Hex Socket Cap Screw	M6x16	3
65	VM-H7	C-Retaining Ring	Ø 47	1
66	VM-H5T	Dial Holder		1
	VM-H5TA	Dial Holder Assembly (Include #66,67,68,69,71,90)		1
67	VM-H3TE	Dial	metric	1
68	VM-H2T	Knurled Nut		1
69	VM-H4T	Clutch Insert		1
71	VM-H1T	Hand Lever		1
73	VM-H1-3	Hand Grip		1
74	VM-H24T	Helical Bevel Gear		1
74-1	VM-H25T-1	Bushing		1
75	BB-8104	Thrust Bearing	8104	2
76	VM-H27E	Elevating Screw		1
76-1	KEY5516	Key	5x5x16	1
77	VM-J37-1	Upper Chip Guard		1
78	VM-J37	Lower Chip Guard		1
79	VM-H25T	Bearing Housing		1
80	TS-1514031	Hex Socket Cap Screw	M6x20	3
81	JVM836-B81E	Screw		3
82	VM-I39	Rubber T-Nut		6
83	JVM836-B83	Key	3x3x28	1
84	JVM836-B84	Cross Round Cap Screw	M6x10	6
85	JVM836-B85	Cross Round Cap Screw	M6x12	7
86	JVM836-B86	Lock Handle	M10x20	2
89	JVM836-SGAE	Splash Guard Assembly		1
90	JVM836-B90	Spacer		1
91	JVM836-B91	Oil Block	1/4"	1

Coolant Pump Assembly



№	№ детали	обозначение	размер	кол-во
1	JVM836VSD-CP-1	Coolant pump	400V,50Hz	1
2	JVM836VSD-CP-4	Connect Elbow		1
3	JVM836VSD-CP-5	Hose		1
4	JVM836VSD-CP-6	Nozzle		1
5	JVM836VSD-CP-7	Valve		1
6	JVM836VSD-CP-8	Extend Elbow		1
7	JVM836VSD-CP-9	90° Joint		1
8	JVM836VSD-CP-10	Connect Elbow		1

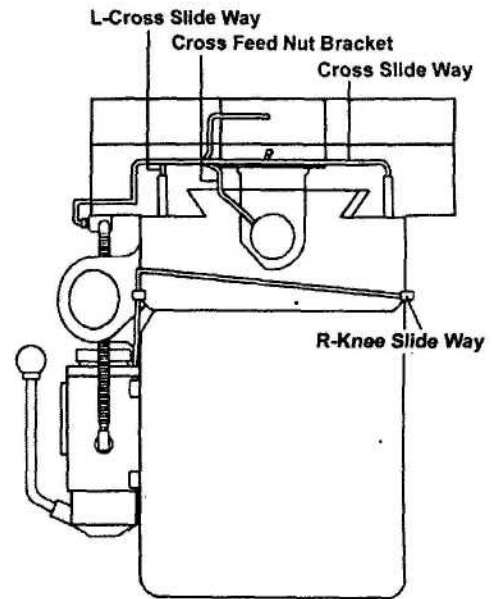
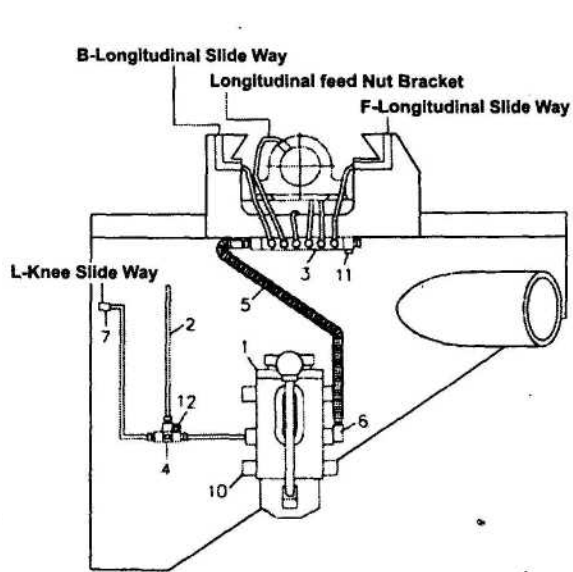
Electric control box assembly



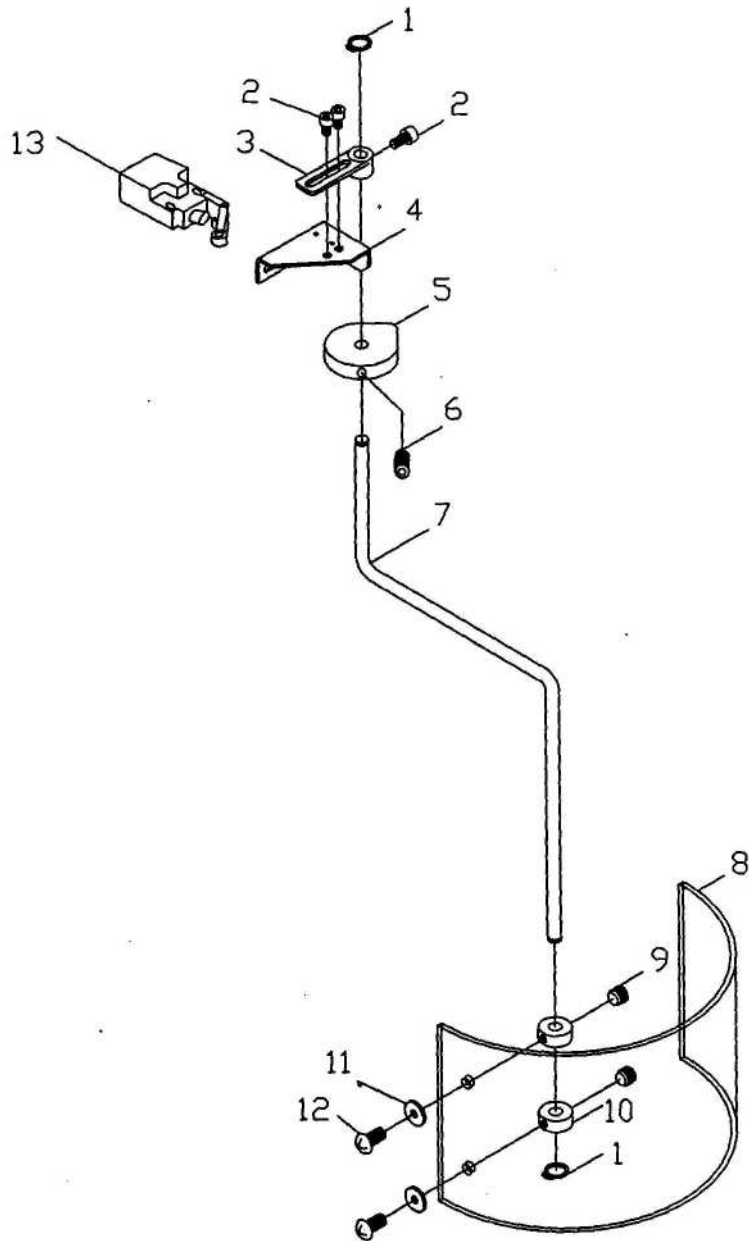
№	№ детали	обозначение	размер	кол-во
1	JVM836VSD-CB-1E	Control Box		1
2	JVM836VSD-CB-2E	Pan Head Screw	M5	4
3	JVM836VSD-CB-3E	Control Switch plate		1
4	JVM836VSD-CB-4E	EMG STOP Switch		1
5	JVM836VSD-CB-5E	Indicator Light		1
6	JVM836VSD-CB-6E	Coolant Pump switch		1
7	JVM836VSD-CB-7E	Start Switch		1
8	JVM836VSD-CB-8E	Reverse Switch		1
9	JVM836VSD-CB-9E	Forward Switch		1
10	JVM836VSD-CB-10E	Electric Box		1
11	JVM836VSD-CB-11E	Hex. Headstock Cap Screw	M8	2
12	JVM836VSD-CB-12E	Control Cord	8C	1
13	JVM836VSD-CB-13E	Motor Cord	4C	1
14	JVM836VSD-CB-14E	Power Feed Cord	3C	1
15	JVM836VSD-CB-15E	Coolant Pump Cord	3C	1
16	JVM836VSD-CB-16E	Limit Switch Cord		1
17	JVM836VSD-CB-1A	E Fuse	1A	2
	JVM836VSD-CB-3A	E Fuse	3A	2
18	JVM836VSD-CB-18E	Transformer		1
19	JVM836VSD-CB-19E	Relay		1
20	JVM836VSD-CB-20E	Relay		1
21	JVM836VSD-CB-21E	Relay		1
22	JVM836VSD-CB-22E	Relay		1
23	JVM836VSD-CB-23E	Wire connect plate		1
24	JVM836VSD-CB-24E	Electric Box Door		1

One Shot Lubrication System

№	№ детали	обозначение	размер	кол-во
1	JVM836-HP	Hand Oiling Pump		1
2	JVM836-ALMP	Aluminum Pipe		1
3	JVM836-DB	Oil Regulating Distributor		1
4	JVM836-TJ	T-Joint		1
5	JVM836-FST	Flexible Steel Tube		1
6	JVM836-CJ	Check Joint		2
7	JVM836-EJ	Elbow Joint		2
10	TS-1514021	Hex Socket Cap Screw	M6x16	4
11	TS-1503061	Hex Socket Cap Screw	M6x25	2
12	TS-1503061	Hex Socket Cap Screw	M6x25	1



Swing Away Safety Shield Assembly



№	№ детали	обозначение	размер	кол-во
1	JVM836VSD-SG-01	C-Cfip		2
2	JVM836VSD-SG-02	Hex Socket Cap Screw	M8	3
3	JVM836VSD-SG-03	Adjusting Bracket		1
4	JVM836VSD-SG-04	Support Bracket		1
5	JVM836VSD-SG-05	Turning Bracket		1
6	JVM836VSD-SG-06	Set Screw	M8	1
7	JVM836VSD-SG-07	Turning Rod		1
8	JVM836VSD-SG-08	Clear Plastic Cover		1
9	JVM836VSD-SG-09	Set Screw	5/16"	2
10	JVM836VSD-SG-10	Collar		2
11	JVM836VSD-SG-11	Flat Washer	Ø 25x3mm	2
12	JVM836VSD-SG-12	Cross Round Screw	5/16"	2
13	JVM836VSD-SG-13	Limit Switch		1

	colour of strands	Litzenfarben	couleur des-cordons
BK	black	schwarz	noir
WH	white	weiß	blanc
BU	blue	blau	bleu
YE	yellow	gelb	jaune
RD	red	rot	rouge
BN	brown	braun	brun
GY	grey	grau	gris
GNYE	green-yellow	grün-gelb	vert-jaune
OG	orange	orange	orange
VT	violet	violett	violet

	meaning of symbol	Bedeutung der Zeichen	Interprétation
M1	main motor	Hauptmotor	moteur principal
M2	pump motor	Kühlmittelmotor	moteur pompe
SB0	door switch	Türschalter	Interrupteur de port
SB1	emergency stop switch	Not-Aus Schalter	arrêt d'urgence
SB2	off switch	Aus-Schalter	bouton arrêt
SB3	forward switch	Schalter Rechtslauf	bouton a droite
SB4	reverse switch	Schalter Linkslauf	bouton a gauche
SB5	pump switch	Kühlmittel-Schalter	commutateur pompe
KM1	contactor for forward	Schütz Rechtslauf	contacteur a droite
KM2	contactor for reverse	Schütz Linkslauf	contacter a gauche
KM3	contactor for coolant pump	Kühlmittel Hauptschütz	contacteur pompe
OL	overload cut-off	Überlastschuttschalter	déclencheur surcharge
LS	limit switch	Positionsendschalter	micro
TR	transformer	Transformator	transformateur
F	fuse	Sicherung	fusible
L	indicator lamp	Anzeigenlampe	lampe d'indication
PF	powerfeed	Vorschub	avance automatique
DR	digital reader assembly	Digitalanzeige	affichage numérique

