

J E T

JTS-250 CS

Circular saw

708781KM...230/50/1

708781KT...400/503

СПИСОК ДЕТАЛЕЙ

WMH Tool Group AG

Bahnstrasse 24,

CH – 8603 Schwerzenbach

www.wmhtoolgroup.ch

info@wmhtoolgroup.ch

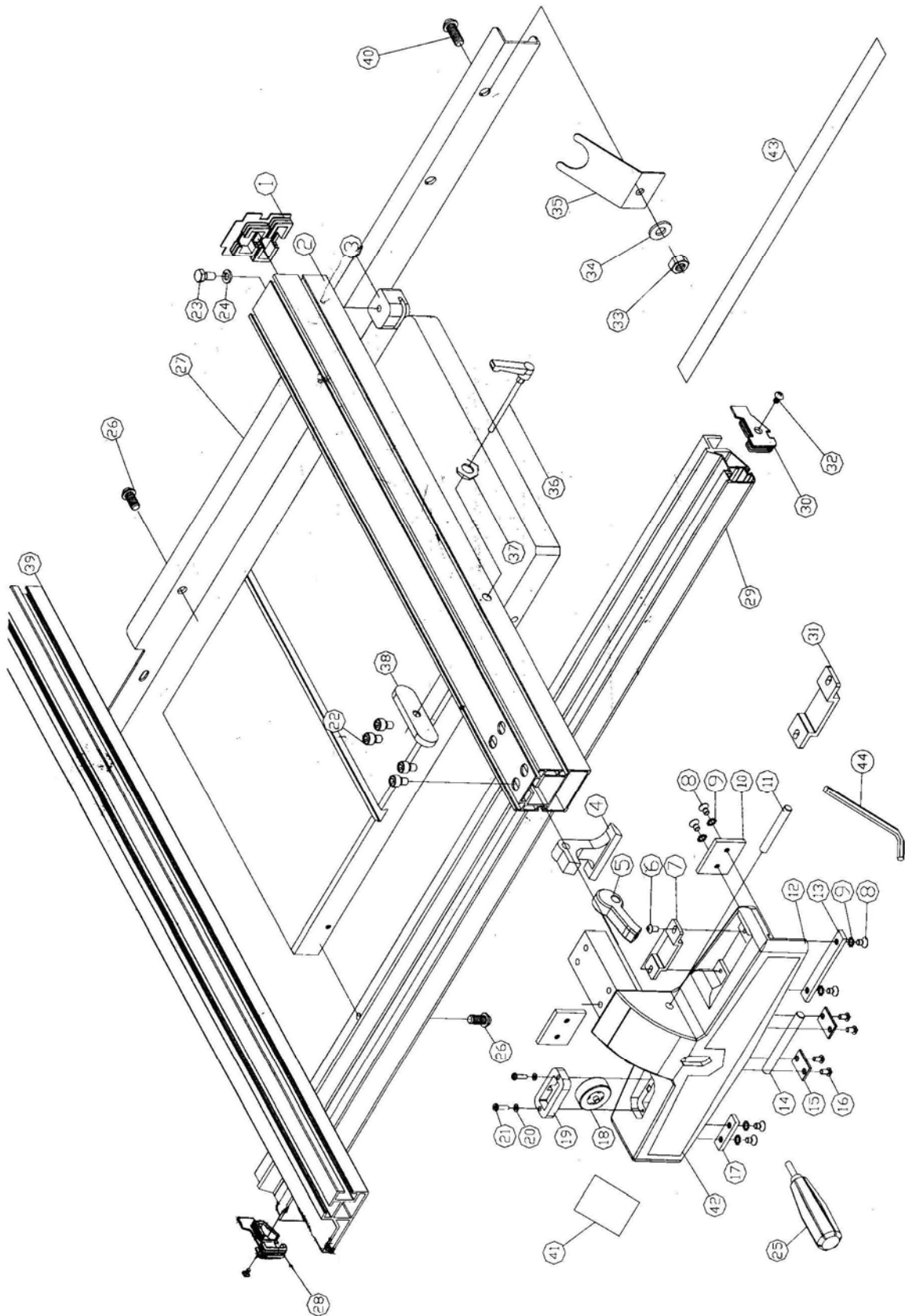
Tel +41 (0)44 806 47 48

Fax +41 (0) 44 806 47 58

P-708781KM/KT...03/05



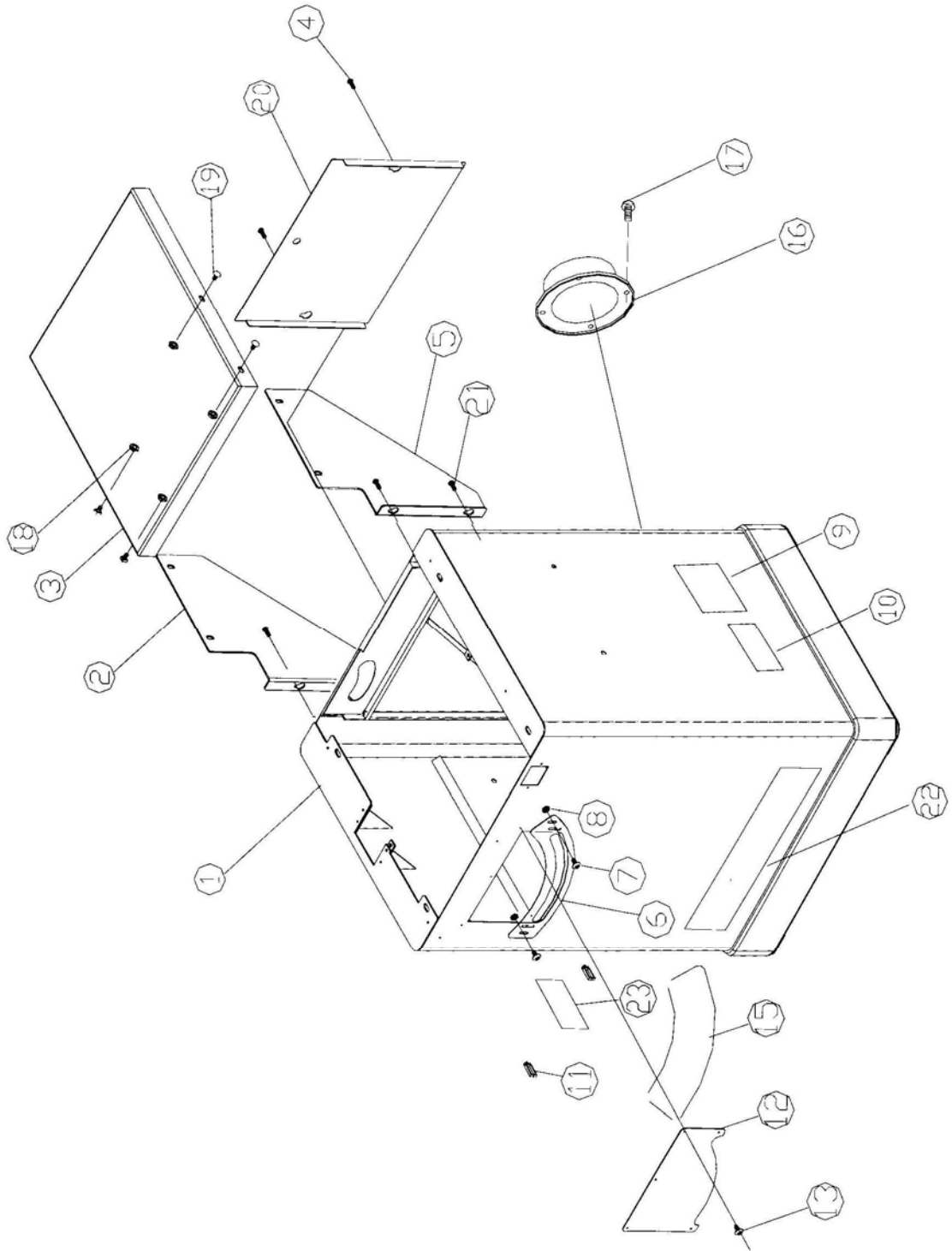
Fence Assembly



Parts List: Fence Assembly

Nº	Part Nº	Description	Size	Qty
1	200396	Rear Cover		1
2	200507	Fence		1
3	200397	Fence Hook		1
4	200393	Locating Clamp		1
5	200390	Clamp Cam		1
6	SP059200	Socket Head Screw	M5x8	2
7	200439	Enlarge Window		1
8	SN059200	Countersunk Head Bolt	M5x8	8
9	WE050000	Star Washer	M5	8
10	200384	Wear Pad		2
11	200392	Pin		1
12	200451	Fence Body		1
13	200387	Wear Pad		1
14	200391	Pin		1
15	200394	Plate		2
16	JWSS10-16	Hex Socket Button Screw	M6x12	4
17	200386	Wear Pad		1
18	200389	Micro-Adjust Roller		1
19	200388	Upper Block		1
20	TS-1551021	Lock Washer	M4	2
21	SP049400	Hex Socket Button Screw	M4x16	2
22	TS-1504031	Hex Socket Cap Screw	M8x16	4
23	TS-1490011	Hex Head Bolt	M8x12	1
24	TS-1551061	Lock Washer	M8	1
25	200378	Handle		1
26	SJ089400	Socket Head Screw	M8x 16	4
27	200362	U Rear Rail	760mm	1
28	200508	Side Cover (L)		1
29	200361	Front Rail	760mm	1
30	200509	Side Cover (R)		1
31	200438	Enlarge Window		1
32	ST049200	Tapping Screw	M4x8	2
33	NH081300	Nut	M8	1
34	WF082320	Flat Washer	M8	1
35	200522	U Support		1
36	200534	Lock Knob		1
37	WF083030	Flat Washer	M8	1
38	200527	Moving Plate		1
39	200526	Fence (AL)		1
40	SJ089400	Socket Head Screw	M8x16	1
41	LM000627	JET Logo		1
42	LM000628	Fence Body Label		1
43	LM000698	Metric Scale	760mm	1
	JWSS10-FC	Fence Complete (not shown)		1
	AH200395	Hardware Bag (not shown)		1
44	TS080001	Hex "L" Wrench	M8	1

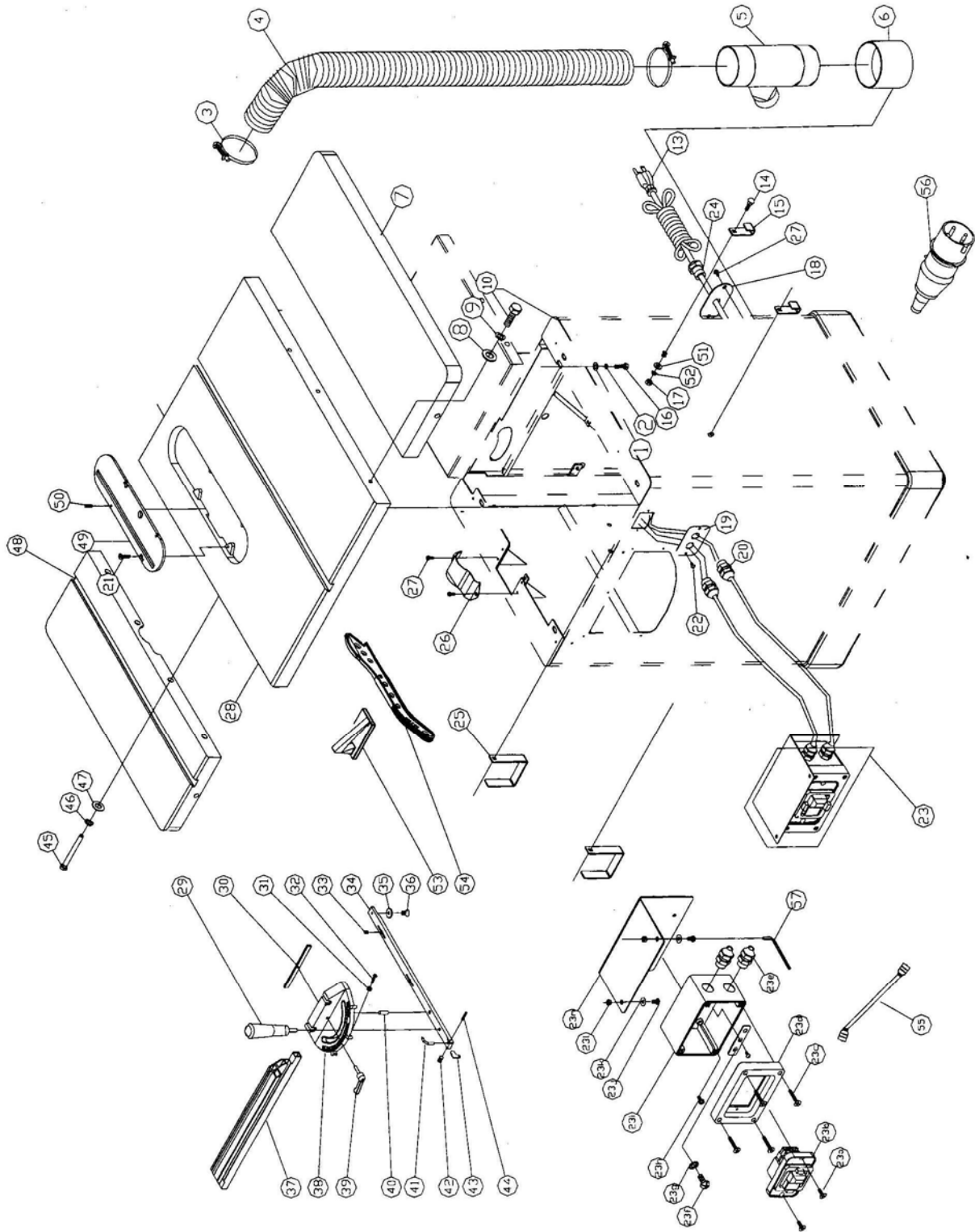
Cabinet Assembly



Parts List: Cabinet Assembly

Nº	Part Nº	Description	Size	Qty
1	200548	Cabinet		1
2	200519	Support		1
3	200512	Extension Table		1
4	TS-1515041	Socket Head Bolt	M8 x 30	2
5	200520	Support		1
6	200541	To Hide Plate		1
7	SN050200	Countersunk Head Bolt	M5x10	2
8	NF050800	Flange Nut	M5	2
9	LM000791	Instruction Label		1
10	LM200548	JET I.D. Label	for 708781KM	1
	LM200549	JET I.D. Label	for708781KT	1
11	998660	Wire Clips	WS-3	2
12	200432	Front Cover		1
13	ST049200	Tapping Screw	M4x8(B)	5
14	LM000792	Instruction Label		1
15	LM000634	Angle Scale		1
16	412007W	Dust Port	Dia.100mm	1
17	TS-1534032	Pan Head Screw	M6x10	4
18	NF081300	Flange Nut	M8	4
19	SC089300	Carriage Screw	M8x12	4
20	200448	Door Plate		1
21	SG080300	Hex Head Flange Bolt	M8 x 12	4
22	LM000629	JET Logo		1
23	LM000793	Instruction Label		1

Table Assembly



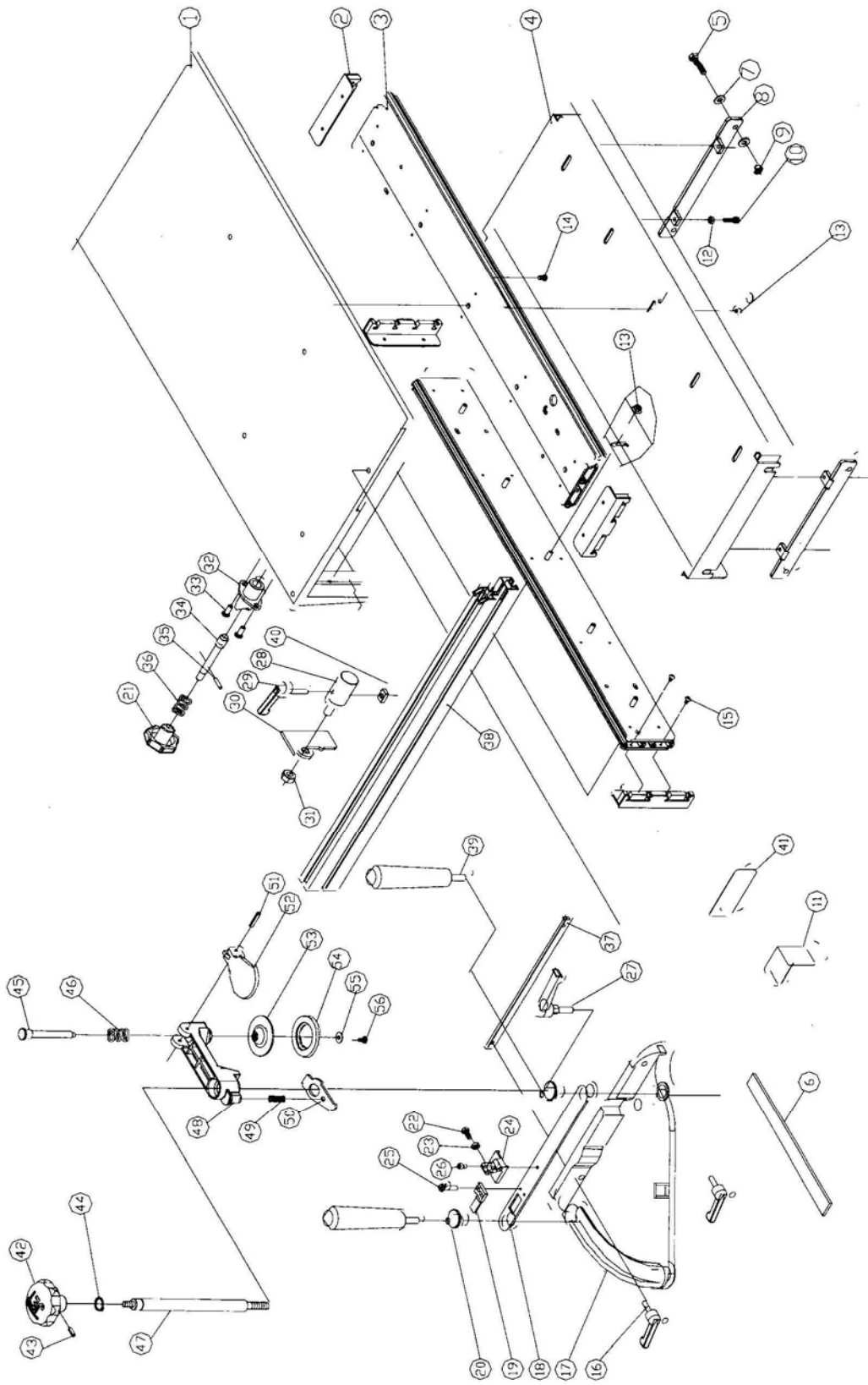
Parts List: Table Assembly

Nº	Part Nº	Description	Size	Qty
1	TS-1550061	Flat Washer	M8	4
2	TS-1551061	Lock Washer	M8	4
3	200535	Ring Clamp		2
4	200536	Hose		1
5	200515	Adapter		1
6	200516	Adapter		1
7	290004	Extension Wing (R)		1
8	TS-1550071	Flat Washer	M10	3
9	TS-1551071	Lock Washer	M10	3
10	TS-1491041	Hex Cap Bolt	M10 x 30	3
13	IC290003	Power Cord	H05 RN-F3G	1
	IC290004	Power Cord	H07 RN-F4G	1
14	SC089400	Carriage Screw	M8 x 16	4
15	200406	Miter Gauge Hook		2
16	TS-1490031	Hex Head Bolt	M8x20	4
17	TS-1540061	Hex Nut	M8	4
18	200538	Strain Relief Plate		2
19	135081	Strain Relief Plate		1
20	709411	Strain Relief		2
21	SN050400	Countersunk Head Bolt	M5x 20	2
22	ST049200	Self Tapping Screw	M4x8	2
23	JWSS10-23A	ON/OFF Switch Assembly	230V,50Hz,1Ph	1
	JWSS10-23B	ON/OFF Switch Assembly	400V,50Hz,3Ph	1
23a	ST040204	Self Tapping Screw	M4x10	2
23b	60A-419E	KJD-18 Switch	230V, 50Hz, 1Ph	1
	60A-419AE	KJD-18 Switch	400V, 50Hz, 3Ph	1
23c	ST040504	Self Tapping Screw	M4x25	4
23d	170237	CE Switch Box Upper Cover		1
23e	709411	Strain Relief		2
23f	SP550200	Pan Head Bolt	3/16"x5/16"	2
23g	WE050000	Start Washer	M5	2
23h	SP050200	Pan Head Bolt	M5x10	4
23i	170238	CE Switch Box		1
23j	SJ060200	Socket Head Screw	M6x10	2
23k	TS1550041	Flat Washer	M6	2
23l	TS1540041	Hex Nut	M6	2
23m	200524	Switch Plate		1
24	709411	Strain Relief		2
25	200547	Fence Hook		2
26	200352	Guard		1
27	SF059200	Pan Head Bolt (Flange)	M5 x 8	4
28	JWSS10CE-28	Table		1
29	612150	Handle		1
30	200405	Fixed Bar		1
31	NH050800	Hex Nut	M5	3
32	SP050400	Pan Head Bolt	M5x20	3
33	SS088200	Set Screw	M8x6	2
34	200412	Guide Bar		1
35	200156	Guide Ring		1
36	SN069200	Countersunk Head Bolt	M6x8	1
37	200571	Miter Gauge Fence		1
38	200416	Miter Gauge Body		1

Parts List: Table Assembly

Nº	Part Nº	Description	Size	Qty
39	200417	Locking Handle	M6x28	1
40	150031	Steel Pin		1
41	200160	Pointer		1
42	TS-1522011	Set Screw	M5x5	1
43	200158	Locating Piece		1
44	PS030800	Spring Pin	3x8	1
	ZBGRI004	Miter Gauge Assembly(Index No. 29-44)		1
45	SH102604	Hex Head Bolt	M10x100	4
46	TS-1551071	Lock Washer	M10	4
47	TS-1550071	Flat Washer	M10	4
48	200398	Extension Wing w/Miter Slot (L)		1
49	200518	Table Insert		1
50	TS-1523031	Set Screw	M6x10	4
51	TS-1550061	Flat Washer	M8	4
52	TS-1551061	Lock Washer	M8	4
53	200546	Push Wood		1
54	200544	Push Stick		1
55	IC290005	Wire		1
56	IC290006	Plug	400V 3Ph CCE type	1
57	TS025001	Hex "L" Wrench	M2.5	1

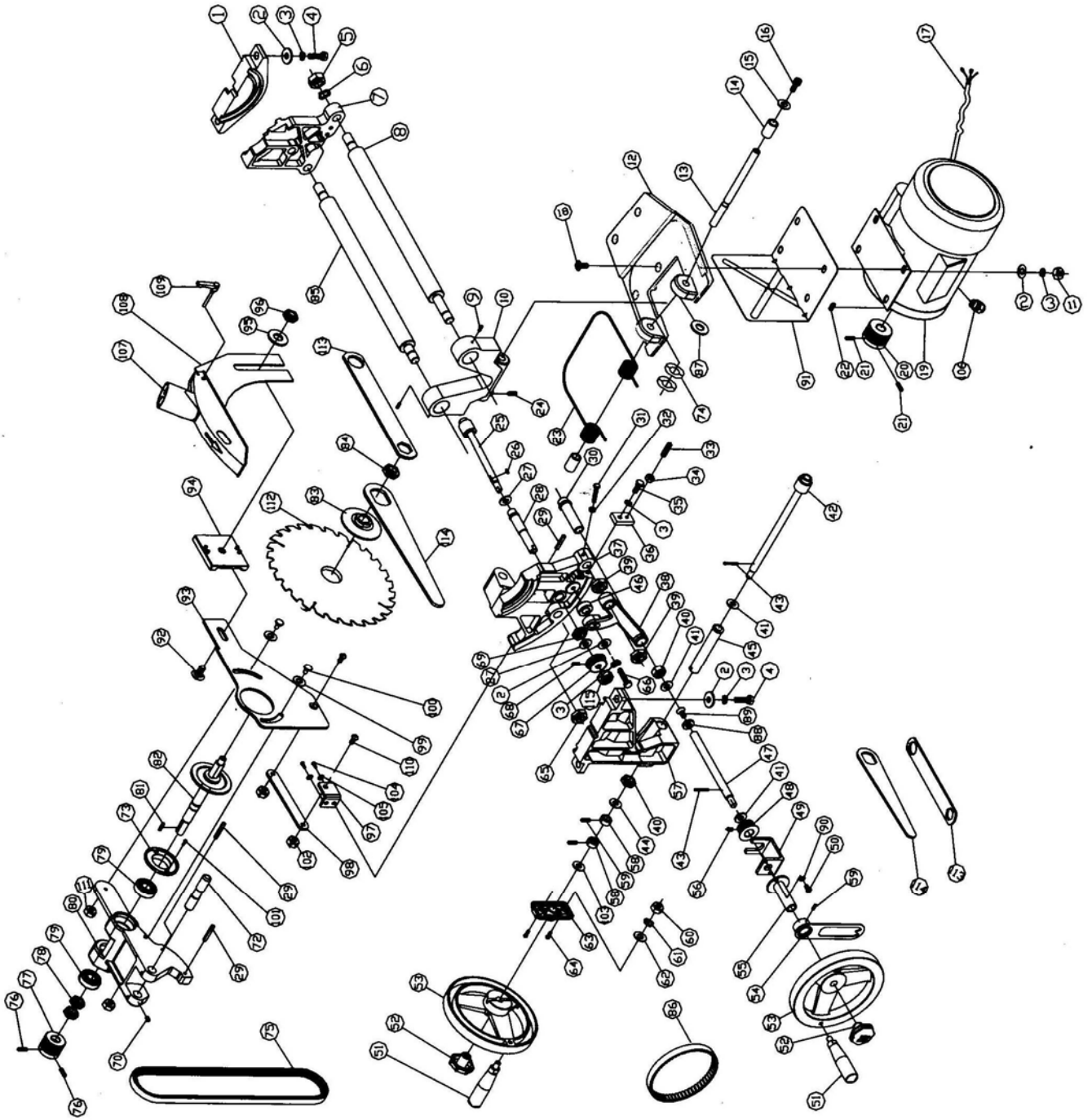
Sliding Table Assembly



Parts List: Table Assembly

Nº	Part Nº	Description	Size	Qty
1	200537	Sliding Table		1
2	200411	Wiper Bracket w/Wiper		4
3	200333	Sliding Rail		2
4	200365	Sliding Table Plate		1
5	TS-1490041	Hex Head Bolt	M8x25	4
6	200430	Block		1
7	TS-1550061	Flat Washer	M8	8
8	200363	Adjustable Plate		2
9	TS-1540061	Hex Nut	M8	4
10	TS-1503061	Hex Socket Head Bolt	M6x25	4
11	200374	90° Adjustable Plate	0.02"	2
12	NH061000	Nut	M6	4
13	NF061000	Flange Nut	M6	10
14	SJ069200	Socket Head Bolt	M6x8	10
15	SF049100	Pan Head Bolt	M4x6	8
16	200414	Locking Handle	M6x22	2
17	200569	Miter Gauge Body		1
18	200336	Indicator Bar		1
19	200337	Cursor		1
20	200335	Bushing		2
21	JWSS10-51	Knob	M8	1
22	SH050400	Hex Head Bolt	M5x20	2
23	TS-1540031	Hex Nut	M5	2
24	200344	Stop Block		1
25	SP049200	Pan Head Bolt	M4x8	2
26	SR050200	Hex Socket Screw	M5x10	2
27	200426	Lock Knob	M10x33	1
28	200343	Locate Shaft		1
29	200415	Locking Handle	M6x30	1
30	200342	Fence Stop		1
31	TS-1541041	Nylon Lock Nut	M10	1
32	200326	Flange		1
33	SJ069300	Socket Head Screw	M6x12	2
34	200328	Locating Shaft		1
35	PP03000	Pin	3 x 20	1
36	200379	Spring		1
37	200338	Moving Shaft		1
38	200501	Miter Fence		1
39	200433	Handle	M10x33	2
40	NS061000	Square Nut	M6	1
41	200375	Adjustable Plate	0.02"	2
42	JWSS10-51	Knob	M8	1
43	PS032000	Spring Pin	3 x 20	1
44	RS160000	Retaining Ring	S16	1
45	200348	Clamp Rod		1
46	200376	Spring		1
47	200563	Support Shaft		1
48	200349	Clamp Body		1
49	200377	Spring		1
50	200351	Quick Release		1
51	PS042800	Spring Pin	4x28	1
52	200350	Clamp Lever		1
53	200347	Clamp Disc		1
54	JWSS10-39	Locate Plate		1
55	TS1550031	Flat Washer	M5	1
56	SF059200	Pan Head Bolt w/Flange	M5x8	1
	AB200349	Work Piece Hold Down Assembly		1
57	LM000633	Angle Label		1
	JWSS10-STMGC	Sliding Table Miter Gauge Complete		1
	AH200364	Hardware Kit (not shown)		1

Motor & Trunnion Assembly



Parts List: Motor & Trunnion Assembly

Nº	Part Nº	Description	Size	Qty
1	200310	Rear Trunnion Bracket		1
2	TS-1550061	Flat Washer	M8	9
3	TS-1551061	Lock Washer	M8	10
4	TS-1490051	Hex Head Bolt	M8x30	4
5	TS-2310162	Hex Nut	M16 x 1.5	2
6	WS160000	Lock Washer	M16	2
7	200306	Rear Trunnion		1
8	200311	Connecting Shaft		1
9	TS-1523031	Set Screw	M6x10	2
10	200313	Motor Bracket		1
11	TS-1540061	Hex Nut	M8	4
12	200327	Motor Plate		1
13	200329	Motor Plate Shaft		1
14	200357	Spring Bushing		2
15	TS-1550061	Flat Washer	M8	2
16	SR089400	Countersunk Head Bolt	M8x16	2
17	IM290002	Motor Cord	1.0mm2 x4C	1
	IM290004	Motor Cord	1.0mm2 x 5C	1
18	SC080500	Carriage Bolt	M8x25	4
19	MA290002	Motor	1-3/4HP (230/50/1)	1
	MA290004	Motor	3HP (400/50/3)	1
	MF290011	Motor Fan (not shown)		1
	MF290012	Motor Fan Cover (not shown)		1
	994602AE	Centrifugal Bracket Assembly (not shown)		1
20	200442	Motor Pulley	10T	1
21	TS-1523031	Set Screw	M6x10	2
22	KP050540	Key	5x5x40	1
23	200420	Torsion Spring		1
24	TS-1523031	Set Screw	M6x10	1
25	200446	Elevating Worm		1
26	KS030310	Key	3x3x10	1
27	200069	Fiber Washer		2
28	200366	Eccentric Shaft		1
29	200447	Spring Pin	M6X20	3
30	200367	Bushing		1
31	SS061000	Set Screw	M6x50	1
32	TS-1540061	Hex Nut	M8	1
33	SS060600	Set Screw	M6x30	1
34	TS-1540041	Hex Nut	M6	1
35	SH060500	Hex Head Bolt	M6 x 25	1
36	200061	Locating Block		1
37	200533	Front Trunnion		1
38	200368	Bracket		1
39	NH162405	Nut	M16x1.5	2
40	NH182601	Nut	M18 x 1.5	2
41	200423	Fiber Washer		3
42	200314	Tilt Worm		1
43	PS043000	Spring Pin	4x30	2
44	200422	Fiber Washer		1
45	200315	Eccentric Shaft (Long)		1
46	JWSS10-46	Washer		1
47	200539	Raising Shaft		1
48	200445	Timing Pulley	23T	1
49	200380	Pressure Block		1
50	SR050200	Hex Socket Bolt	M5 x 10	2
51	200404	Handle		2
52	150045	Knob	M10	2

Parts List: Motor & Trunnion Assembly

Nº	Part Nº	Description	Size	Qty
53.....	200403	Hand Wheel		2
54.....	200382	Pointer		1
55.....	200540	Spacer		1
56.....	SS059200	Set Screw	M5 x 8	2
57.....	200312	Front Trunnion Bracket		1
58.....	200410	Collar		2
59.....	SS069200	Set Screw	M6 x 8	3
60.....	TS-1540061	Hex Nut	M8	2
61.....	TS-1551061	Lock Washer	M8	2
62.....	TS-1550061	Flat Washer	M8	2
63.....	200418	Bearing Bracket		1
64.....	JWSS10-64	Pan Head Bolt	M8x20	2
65.....	TS-2310162	Hex Nut	M16 x 1.5	1
66.....	SH080800	Hex Head Bolt	M8 x 40	1
67.....	200444	Timing Pulley	23T	1
68.....	SS059200	Set Screw	M5x8	2
69.....	TS-2310162	Hex Nut	M16 x 1.5	1
70.....	TS-1523021	Set Screw	M6 x 8	1
72.....	200109	Arbor Bracket Shaft		1
73.....	200528	Fixed Ring		1
74.....	WW300383	Wave Space Washer	18x32	2
75.....	VB-290J10	PolyV-Belt	290J10	1
76.....	TS-1523031	Set Screw	M6x10	2
77.....	200443	Arbor Pulley	10T	1
78.....	NH162406	Hex Nut	M16 x 1.5	2
79.....	BB-6203LLU	Ball Bearing	6203LLU	2
80.....	200529	Arbor Bracket		1
81.....	KS050530	Key	5 x 5 X 30	1
82.....	200530	Arbor		1
83.....	200517	Flange		2
84.....	NH121900	Nut	M12	1
85.....	200307	Connecting Shaft		1
86.....	993110	Timing Belt	390-5T-10MM	1
87.....	WF132625	Flat Washer	M13x26	1
88.....	200156	Washer		1
89.....	SN069300	Countersunk Head Bolt	M6x12	1
90.....	WS05000	Lock Washer	M5	2
91.....	200482	Pulley Guard		1
92.....	SC100500	Carriage Bolt	M10 x25	1
93.....	200503	Spindle Extend Plate		1
94.....	200504	Moving Plate		1
95.....	WF103235	Washer	M10x32	1
96.....	NH101700	Nut	M10	1
97.....	200532	Fix Plate		1
98.....	200531	Link		1
99.....	200505	Fiber Washer		2
100.....	200511	Stud		2
101.....	SN049200	Countersunk Head Bolt	M4x8	2
102.....	TS-1541031	Nylon Lock Nut	M8	2
103.....	200471	Fiber Washer		1
104.....	TS-1482021	Hex Head Bolt	M6x12	2
105.....	WS060000	Lock Washer	M6	2
106.....	709411	Strain Relief	PG-11	1
107.....	AB200514	Blade Guard Assy		1
108.....	200506	Splitter		1
109.....	200513	Lock Knob	M6	1
110.....	SN089400	Countersunk Head Bolt	M8x16	2
111.....	NL0810000	Nylon Nut	M8	2
112.....	709733E	Saw Blade		1
113.....	200542	Arbor Nut Wrench		1
114.....	200510	Flange Lock Wrench		1
115.....	TS-1541031	Nylon Lock Nut	M8	1

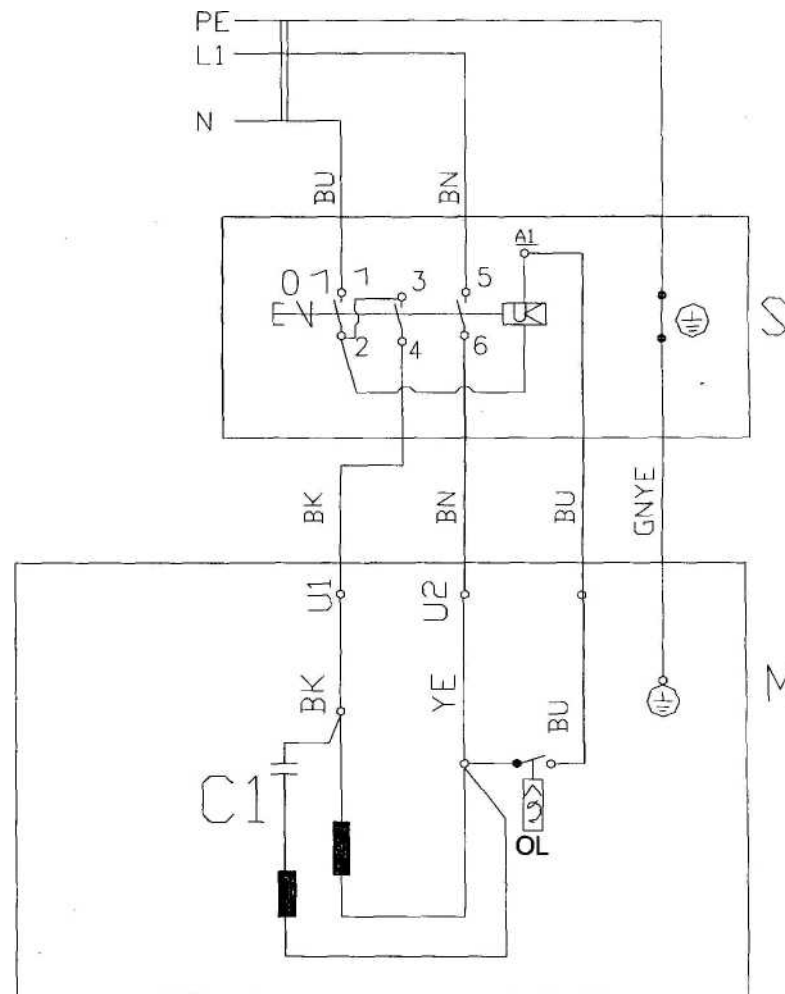
JTS-250CS

708781 KM

	colour of strands	Litzenfarben	Цвет провода
BK	black	schwarz	Черный
WH	white	weiß	Белый
BU	blue	blau	Голубой
YE	yellow	gelb	Желтый
RD	red	rot	Красный
BN	brown	braun	Коричневый
GY	grey	grau	Серый
GNYE	green-yellow	grün-gelb	Зелено-желтый
OG	orange	orange	Оранжевый
VT	violet	violett	Фиолетовый

	meaning of symbol	Bedeutung der Zeichen	Обозначение
M	motor	Motor	Двигатель
S	switch	Schalter	Выключатель
C	condenser	Kondensator	Конденсатор
E	electronic unit	Elektronik Einheit	Контактор
F	fuse	Sicherung	Предохранитель
RS	reversing switch	Drehrichtungsschalter	Переключатель полярности
CS	centrifugal switch	Fliehkraftschalter	Центробежный выключатель
OL	overload cut-off	Oberlastschuttschalter	Защита от перегрузки
LS	limit switch	Positionsendschalter	Концевой выключатель

230/50/1



JTS-250CS

708781 KT

	colour of strands	Litzenfarben	Цвет провода
BK	black	schwarz	Черный
WH	white	weiB	Белый
BU	blue	blau	Голубой
YE	yellow	gelb	Желтый
RD	red	rot	Красный
BN	brown	braun	Коричневый
GY	grey	grau	Серый
GNYE	green-yellow	grün-gelb	Зелено-желтый
OG	orange	orange	Оранжевый
VT	violet	violett	Фиолетовый

	meaning of symbol	Bedeutung der Zeichen	Обозначение
M	motor	Motor	Двигатель
S	switch	Schalter	Выключатель
C	condenser	Kondensator	Конденсатор
E	electronic unit	Elektronik Einheit	Контактор
F	fuse	Sicherung	Предохранитель
RS	reversing switch	Drehrichtungsschalter	Переключатель полярности
CS	centrifugal switch	Fliehkraftschalter	Центробежный выключатель
OL	overload cut-off	Oberlastschuttschalter	Защита от перегрузки
LS	limit switch	Positionsendschalter	Концевой выключатель

400/50/3

