

# JET

**JTS-700S  
JTS-700L**

**Panel saw**

**10000060M...220/50/1**

**10000060T...380/50/3**

**10000061M...220/50/1**

**10000061T...380/50/3**

## Parts list

### **WMH Tool Group AG**

Bahnstrasse 24, CH – 8603  
Schwerzenbach

[www.wmhtoolgroup.ch](http://www.wmhtoolgroup.ch)

[info@wmhtoolgroup.ch](mailto:info@wmhtoolgroup.ch)

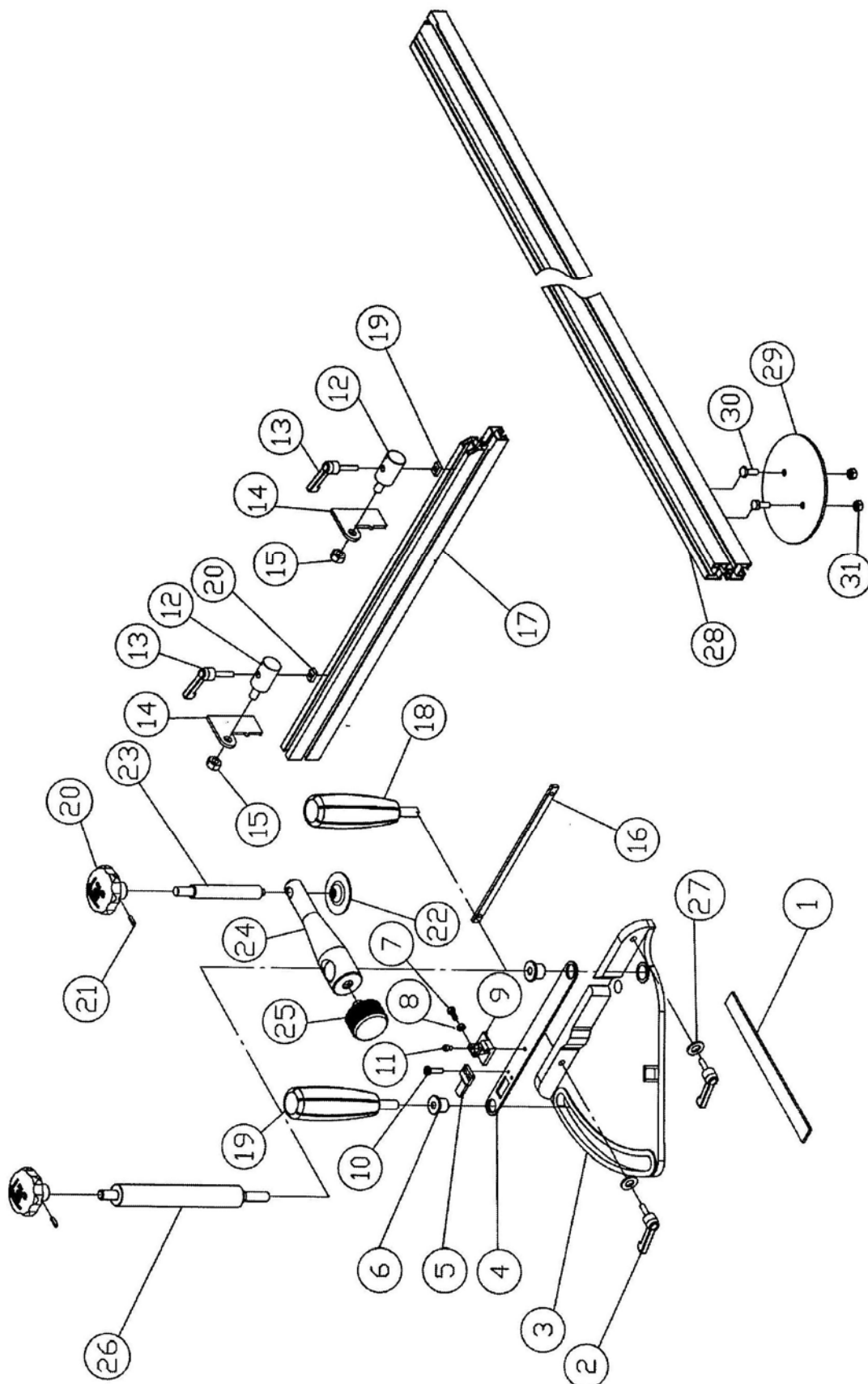
Tel +41 (0)44 806 47 48

Fax +41 (0) 44 806 47 58

P-10000060M...11/07



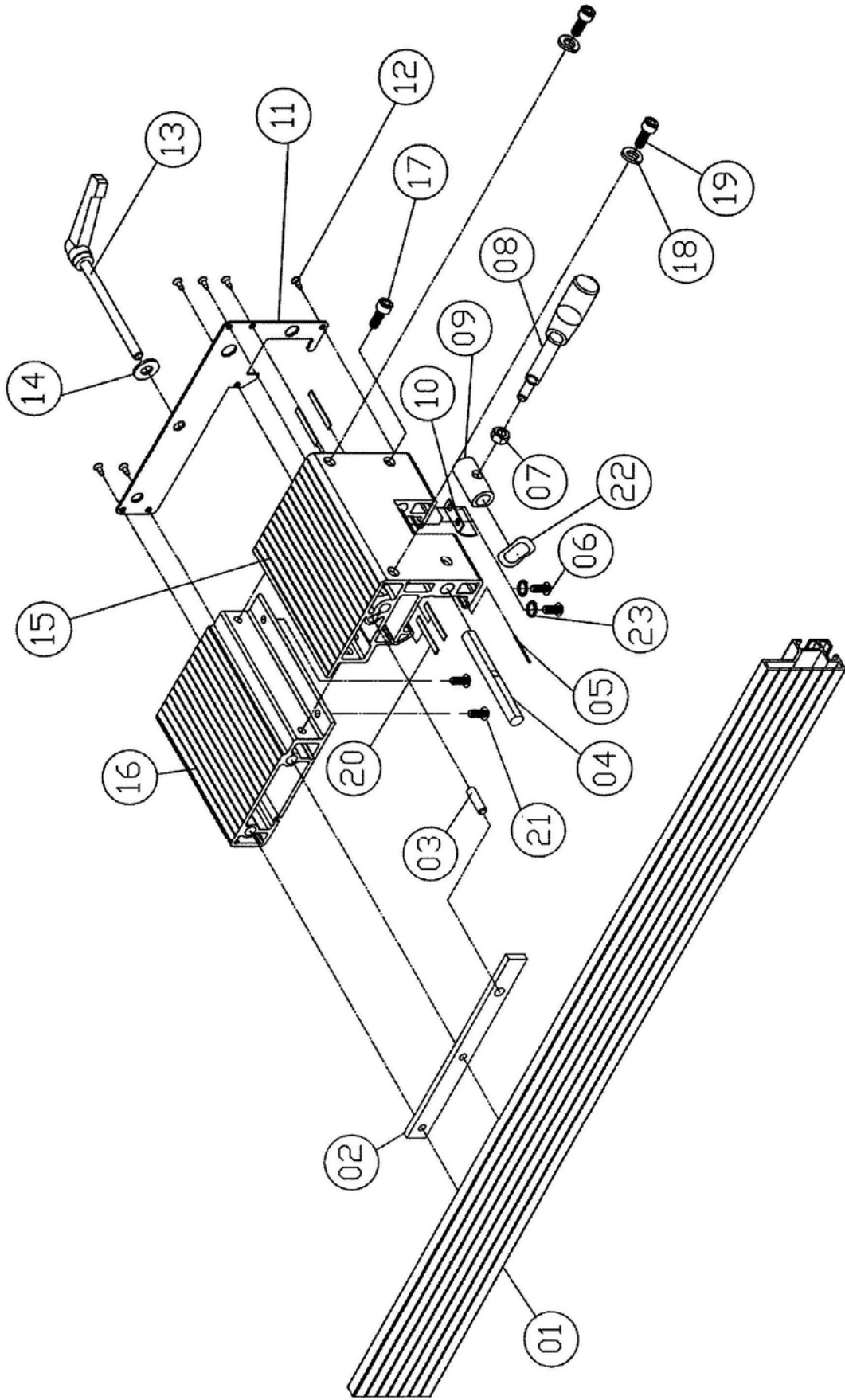
# Breakdown for JTS-700 Miter Fence Assembly



## Part List for Miter Fence Assembly

No.	Part No.	Description	Size	Qty
1	JTS700-001	Block		1
2	JTS700-002	Locking Handle	M6x22	2
3	JTS700-003	Miter Gauge Body		1
4	JTS700-004	Indicators Bar		1
5	JTS700-005	Cursor		1
6	JTS700-006	Bushing		2
7	TS-2205201	Hex Cap Screw	M5x20	2
8	TS-1540031	Hex Nut	M5	2
9	JTS700-009	Stop Block		1
10	TS-2284082	Pan Head Screw	M4x8	2
11	TS-1502021	Socket Head Cap Screw	M5x10	1
12	JTS700-012	Locate Shaft		2
13	JTS700-013	Locking Handle	M6x30	2
14	JTS700-014	Fence Stop		2
15	TS-1541041	Nylon Lock Nut	M10	2
16	JTS700-016	Moving Shaft		1
17	JTS700-017	Miter Fence		1
18	JTS700-018	Handle	M10x33	2
19	JTS700-019	Square Nut	M6	2
20	JWSS10-51	Knob	M10	2
21	JTS700-021	Spring Pin	3x20	2
22	JTS700-022	Clamp Disc		1
23	JTS700-023	Adjusting Rod		1
24	JTS700-024	Clamp Body		1
25	JTS700-025	Knob		1
26	JTS700-026	Support Shaft		1
27	TS-1550061	Flat Washer	M8X18	2
	10000064	Miter Fence Profile Kit (Option)	1320mm	1
28	JTS700-028	Miter Fence	1320mm	1
29	JTS700-029	Fence Supporter		1
30	TS-1482031	Hex Head Bolt	M6x16	2
31	TS-1541021	Nylon Nut	M6	2

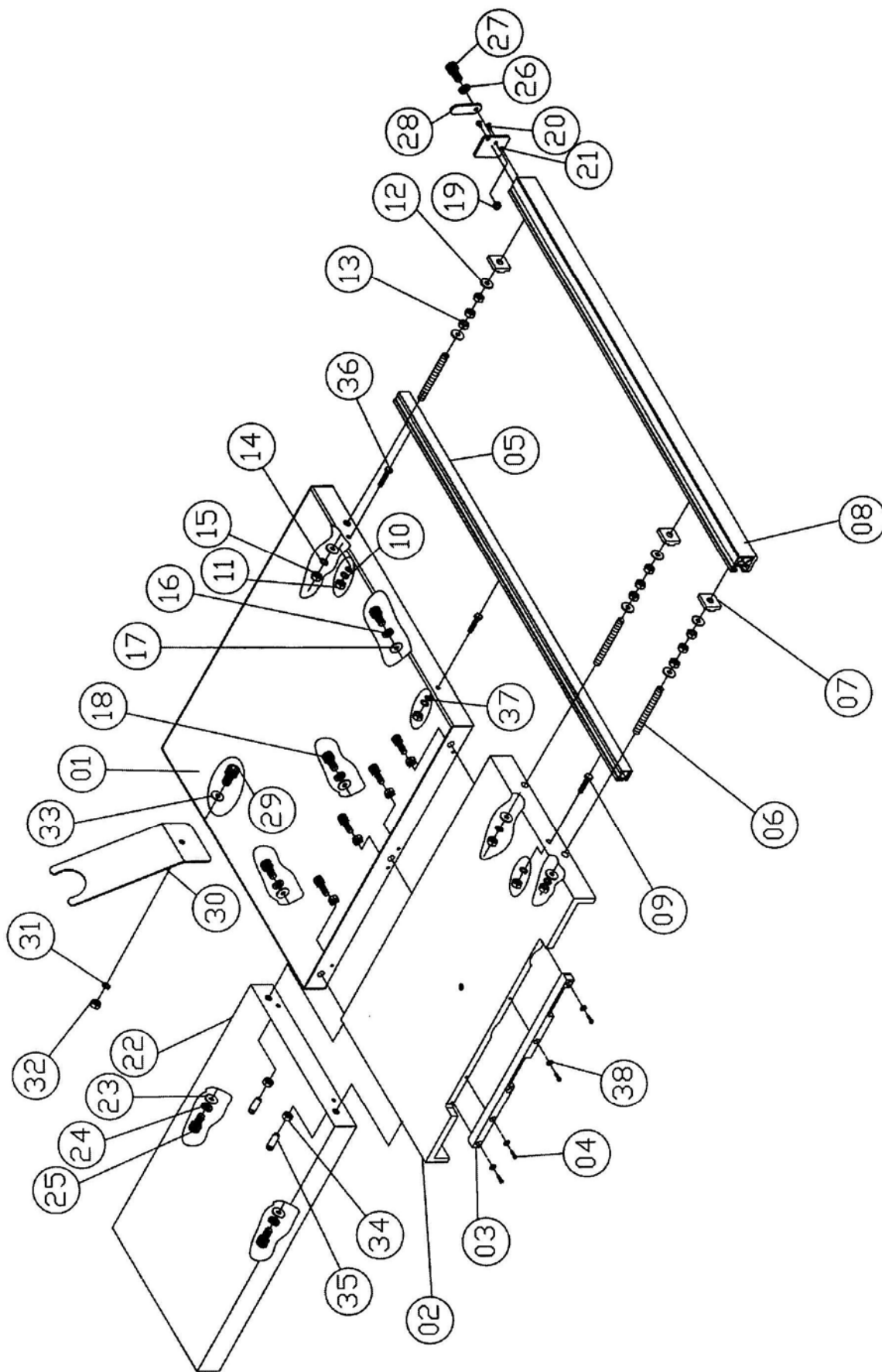
# Breakdown for Rip Fence Assembly



## Part List for Rip Fence Assembly

No.	Part No.	Description	Size	Qty
1	JTS700-101	Rip Fence Profile		1
2	JTS700-102	Clamp Plate		1
3	JTS700-103	Spring Pin		1
4	JTS700-104	Rod		1
5	JTS700-105	Strip		4
6	TS-2245102	Socket Head Button Screw	M5x10	2
7	TS-1540061	Hex Nut	M8	1
8	JTS700-108	Handle		1
9	JTS700-109	Sleeve		1
10	JTS700-110	Spring Piece		1
11	JTS700-111	Cover Plate		1
12	JTS700-112	Hex Tap Bolt	M4	6
13	JTS700-113	Lock Handle	M8x110mm	1
14	TS-1550061	Flat Washer	M8	1
15	JTS700-115	Rip Fence Housing		1
16	JTS700-116	Rip Fence Housing		1
17	JTS700-117	Plastic Screw	M5X16	2
18	TS-2361081	Lock Washer	M8	2
19	TS-1490031	Hex Cap Screw	M8x20	2
20	JTS700-120	Strip	50x5mm	4
21	TS-1503031	Socket Head Cap Screw	M6x12	2
22	JTS700-122	Wave Washer	12	1
23	TS-1550031	Flat Washer	M5	2

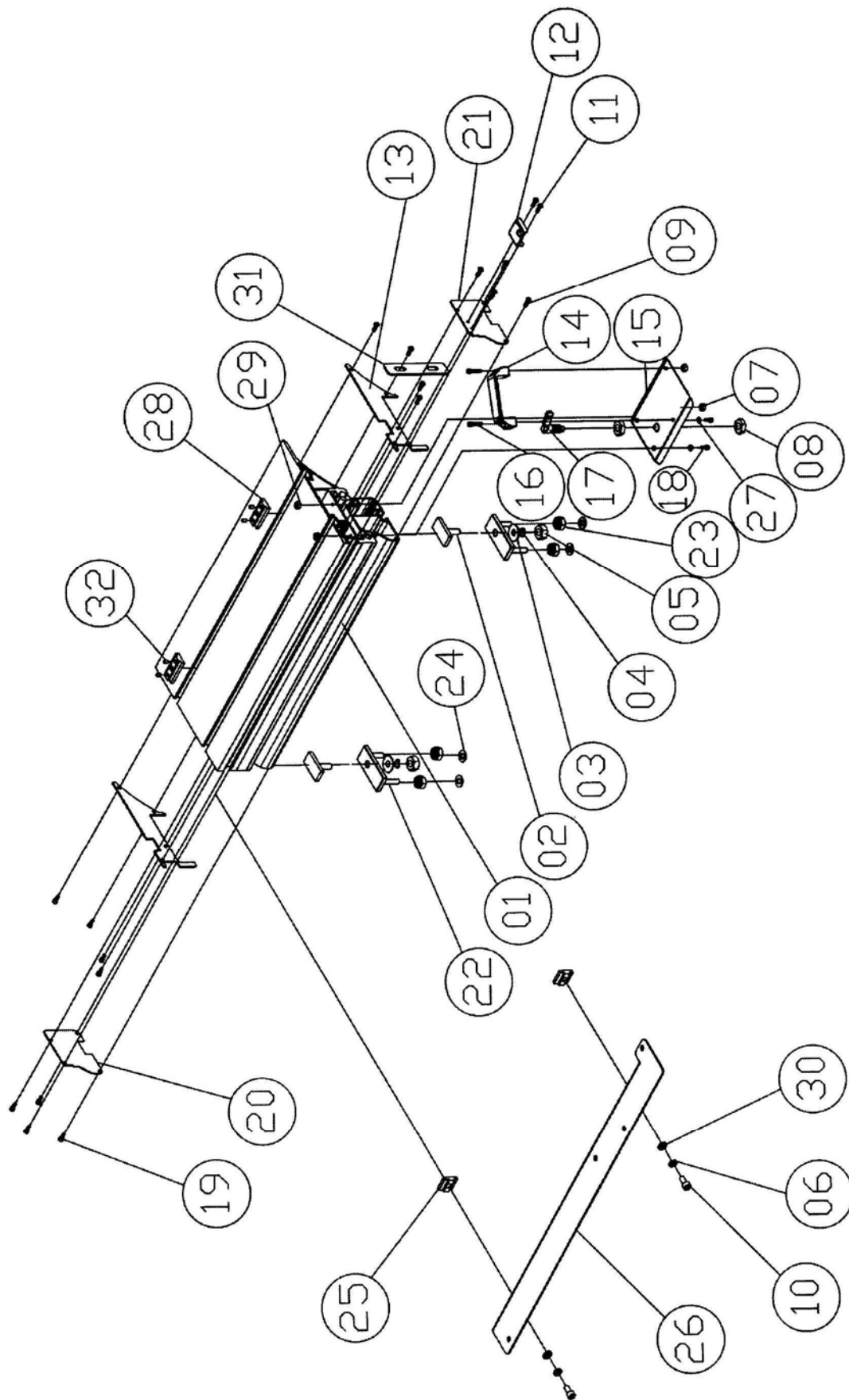
# Breakdown for Table Assembly



## Part List for Table Assembly

No.	Part No.	Description	Size	Qty
1	JTS700-201	Right Extension Wing		1
2	JTS700-202	Table		1
3	JTS700-203	Table Insert		1
4	TS-1502051	Socket Head Cap Screw	M5x20	4
5	JTS700-205	Right Support Plate		1
6	JTS700-206	Screw	M12x90	3
7	JTS700-207	T-Nut		3
8	JTS700-208	Bracket		1
9	TS-1482051	Hex Cap Screw	M6x25	1
10	TS-2361061	Lock Washer	M6	3
11	TS-1540041	Hex Nut	M6	3
12	TS-2360121	Flat Washer	M12	9
13	TS-1540081	Hex Nut	M12	9
14	TS-2361121	Lock Washer	M12	3
15	TS-1540081	Hex Nut	M12	3
16	TS-2361101	Lock Washer	M10	3
17	TS-1550071	Flat Washer	M10X20	3
18	TS-1505031	Socket Head Cap Screw	M10x25	3
19	TS-1541011	Nylon Lock Nut	M5	1
20	JTS700-220	Hex Tap Bolt	M4x10	2
21	JTS700-221	Plate		1
22	JTS700-222	Rear Extension Table		1
23	TS-1550071	Flat Washer	M10X20	2
24	TS-2361101	Lock Washer	M10	2
25	TS-1505031	Socket Head Cap Screw	M10x25	2
26	TS-1550031	Flat Washer	M5	1
27	TS-1502041	Socket Head Button Screw	M5x16	1
28	JTS700-228	Crosspiece		1
29	TS-1505031	Socket Head Cap Screw	M10x25	1
30	JTS700-230	U Support		1
31	TS-2361101	Lock Washer	M10	1
32	TS-1541041	Nylon Lock Nut	M10	1
33	TS-1550071	Flat Washer	M10X20	1
34	TS-1540061	Hex Nut	M8	6
35	TS-1504051	Socket Head Cap Screw	M8x25	6
36	TS-1482031	Hex Cap Screw	M6x16	2
37	TS-1550041	Flat Washer	M6x13	3
38	TS-1550031	Flat Washer	M5	4

# Breakdown for 70 mm Sliding Table Assembly

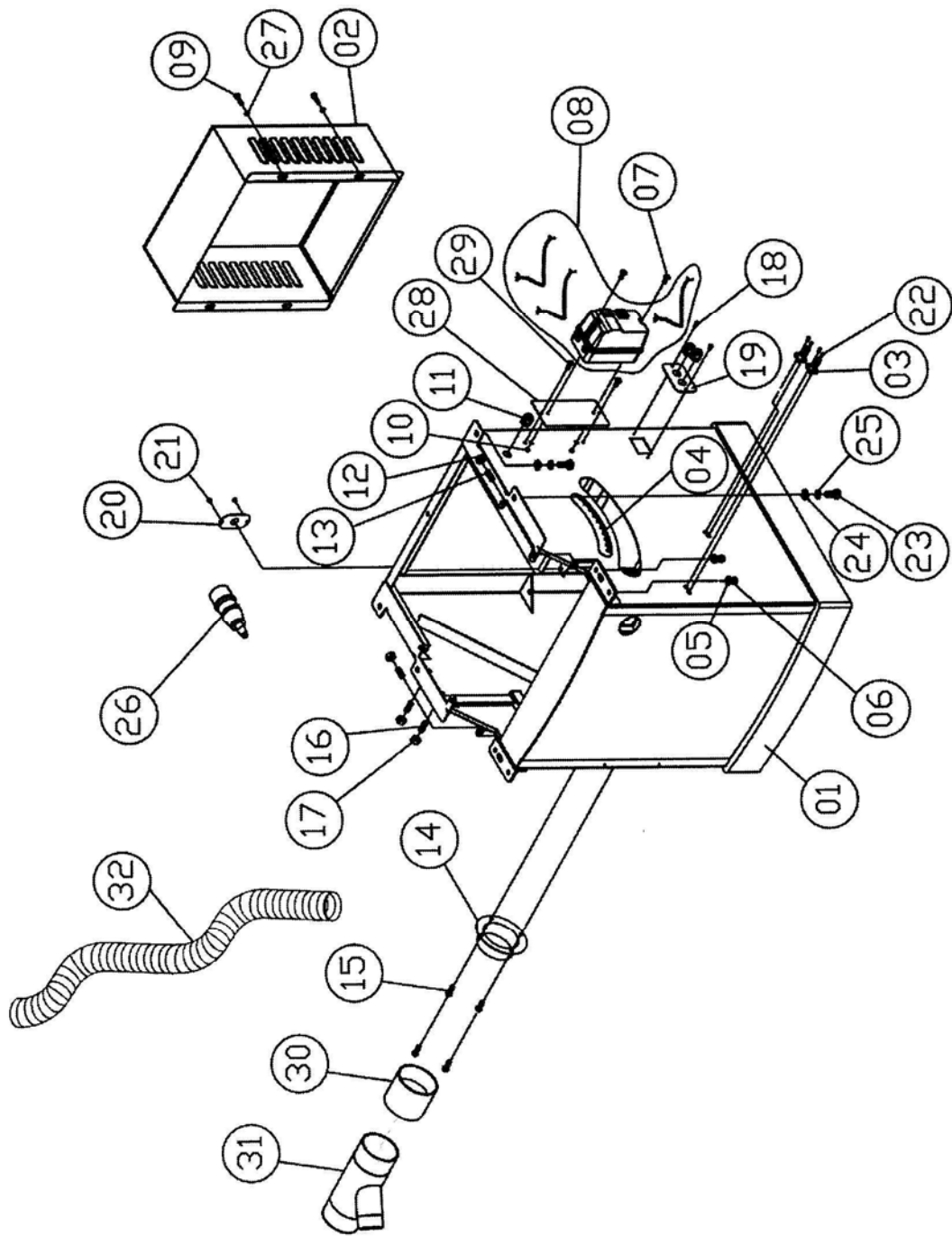




## Part list for 700 mm Sliding Table Assembly

No.	Part No.	Description	Size	Qty
1	JTS700-301	Sliding Table Set	688x316	1
2	JTS700-302	T Cap Screw	M12x35	2
3	TS-2360121	Flat Washer	M12	2
4	TS-2361121	Lock Washer	M12	2
5	TS-1540081	Hex Nut	M12x1.75P	2
6	TS-2361061	Lock Washer	M12	2
7	TS-1540041	Hex Nut	M6	2
8	TS-154010	Hex Nut	M16	2
9	TS-2246162	Socket Head Button Screw	M6x16	8
10	TS-1506011	Socket Head Cap Screw	M12x20	2
11	TS-2246122	Socket Head Button Screw	M6x12	2
12	JTS700-312	Locate Plate		1
13	JTS700-313	Locate Plate		2
14	JTS700-314	Handle		1
15	JTS700-315	Locate Plate		1
16	TS-1503041	Socket Head Cap Screw	M6x16	2
17	JTS700-317	Pin Lock		1
18	TS-2246162	Socket Head Button Screw	M6x16	2
19	TS-2246122	Socket Head Button Screw	M6x12	8
20	JTS700-320	Locate Plate		1
21	JTS700-321	Locate Plate		1
22	JTS700-322	Locate Block		2
23	TS-2342101	Nylon Lock Nut	M10x1.5P	4
24	TS-1550071	Flat Washer	M10	4
25	JTS700-325	Locate Plate		2
26	JTS700-326	Extension Plate		1
27	TS-1550041	Flat Washer	M6X13	2
28	JTS700-328	Locate Block		1
29	TS-1540041	Hex Nut	M6	2
30	TS-2360121	Flat Washer	M12	2
31	JTS700-331	Locate Plate		1
32	TS-1523031	Set Screw	M6X10	1

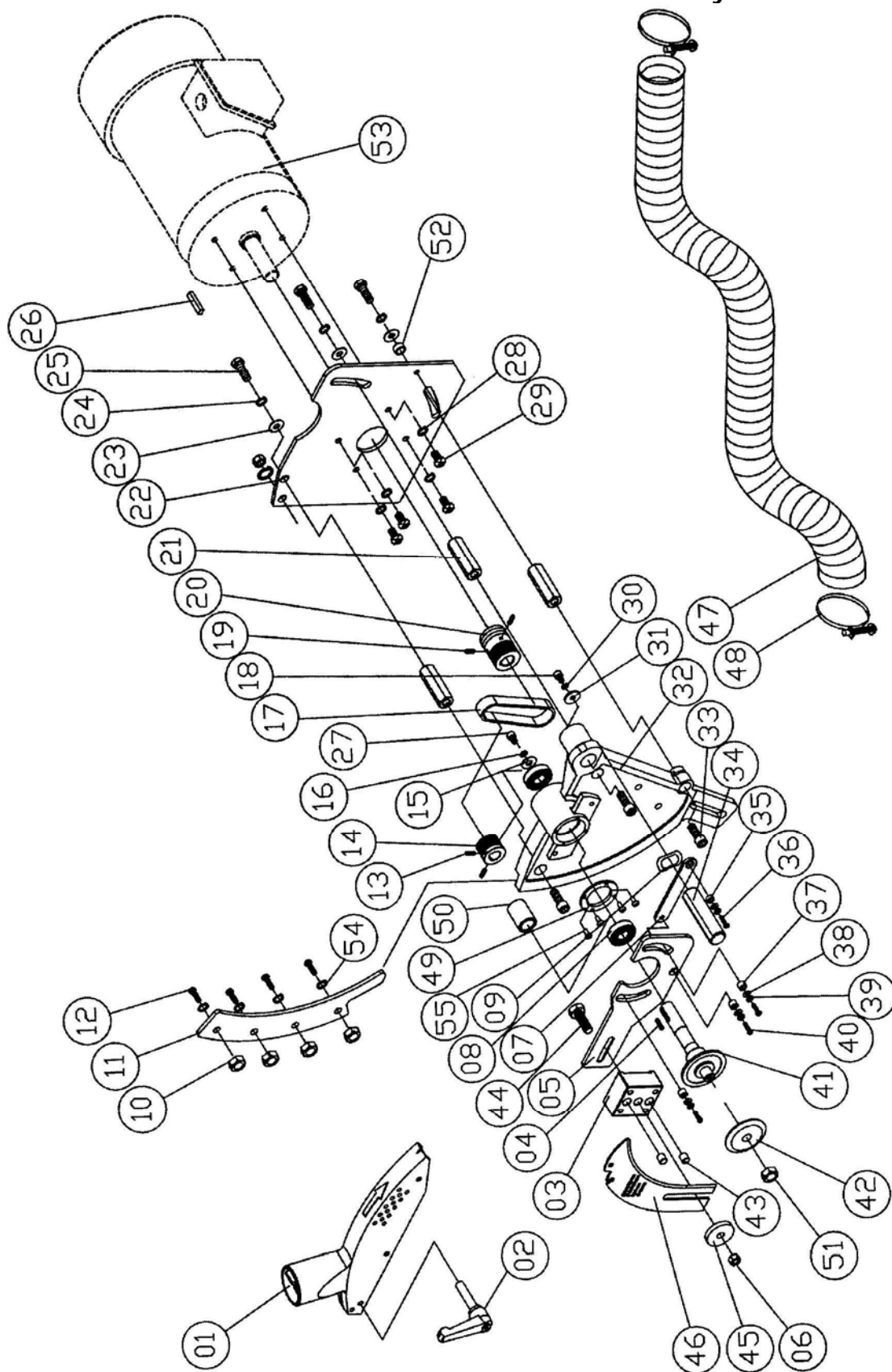
# Breakdown for Cabinet Assembly



## Part List for Cabinet Assembly

No.	Part No.	Description	Size	Qty
1	JTS700-401	Cabinet		1
2	JTS700-402	Cover Plate		1
3	JTS700-403	Hanger		2
4	JTS700-404	Scale		1
5	TS-2361101	Lock Washer	M10	4
6	TS-2311101	Hex Nut	M10x1.5P	4
7	TS-1532052	Pan Head Screw	M4x16	2
8	JTS700-408E	Magnetic Switch Complete Assembly	230V	1
	JTS700-408AE	Magnetic Switch Complete Assembly	400V	1
	JTS700-408CE	Contactor	230V	1
	JTS700-408CAE	Contactor	400V	1
	JTS700-408OLE	Thermal Overload	230V	1
	JTS700-408OLAE	Thermal Overload	400V	1
9	TS-1504031	Socket Head Cap Screw	M8x16	4
10	TS-1540021	Hex Nut	M4	2
11	JTS700-411	Strain Relief	M20	3
12	TS-1540031	Hex Nut	M10	2
13	TS-2279301	Socket Set Screw	M10x30	2
14	JTS700-414	Dust Port		1
15	JTS700-415	Pan Head Screw	M6x16	4
16	TS-1521041	Socket Set Screw	M8x20	4
17	TS-1540061	Hex Nut	M8	4
18	TS-1532032	Tap Screw	M4x10	2
19	JTS700-419	Cord Plate		1
20	JTS700-420	Cord Plate		1
21	JTS700-421	Hex Tap Bolt	M4x10	2
22	TS-1532052	Pan Head Screw	M4x16	4
23	TS-1491041	Hex Cap Screw	M10x30	4
24	TS-1550071	Flat Washer	M10	4
25	TS-2361101	Lock Washer	M10	4
26	JTS700-426-3	Power Cord and Plug	400V, 3Ph	1
	JTS700-426-1	Power Cord and Plug	230V, 1Ph	1
27	TS-2361081	Lock Washer	M8	4
28	JTS700-428	Locate Block		1
29	TS-1534042	Pan Head Screw	M6x12	2
30	JW1047	Quick Disconnect	100mm	1
31	JTS700-431	Y Fitting		1
32	JTS700-432	Hose	60mm	1

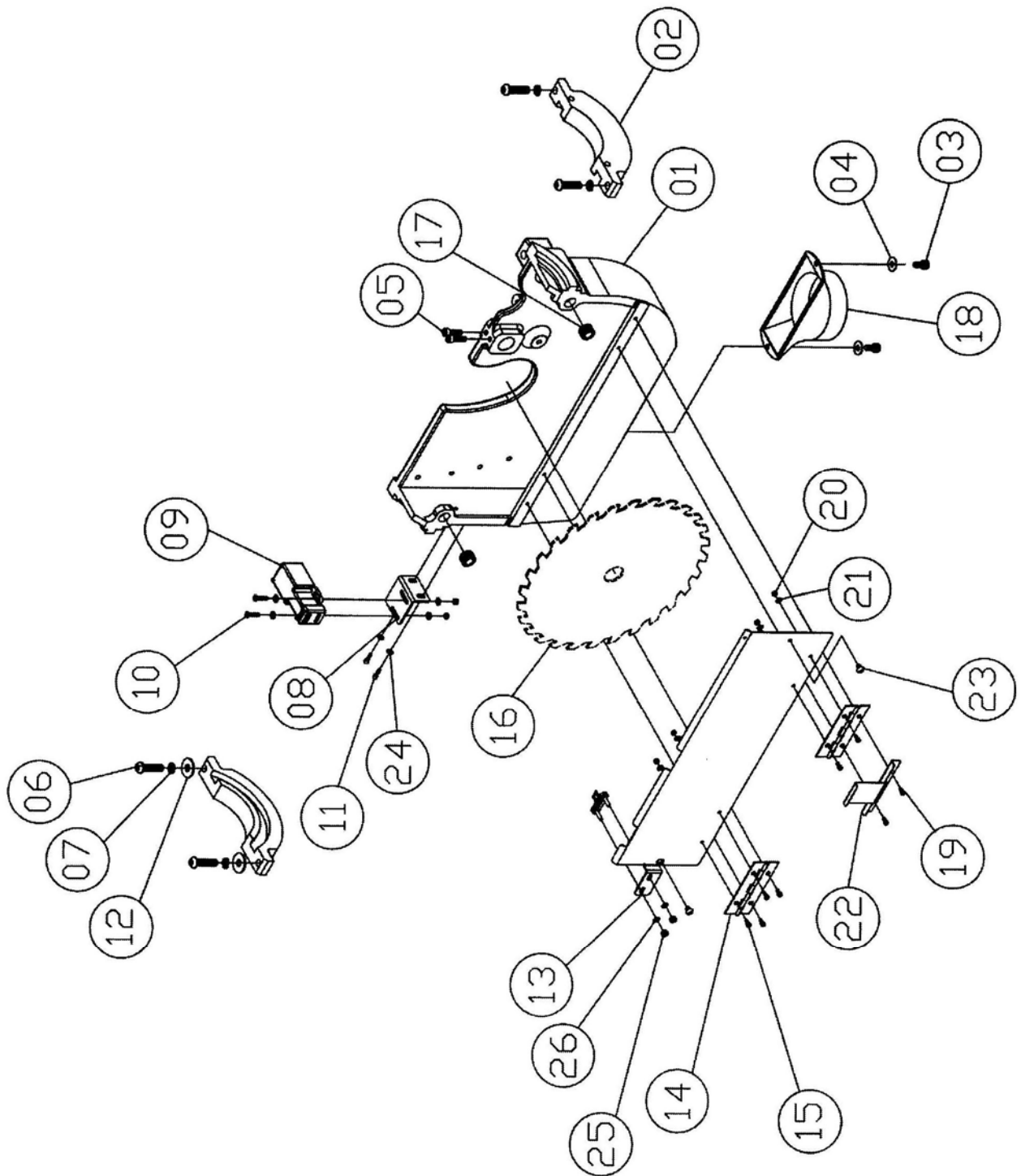
# Breakdown for Motor and Arbor Assembly



## Part List for Motor & Arbor Assembly

No.	Part No.	Description	Size	Qty
1	JTS700-501	Blade Cover		1
2	JTS700-502	Adjust Handle		1
3	JTS700-503	Fix Block		1
4	JTS700-504	Key	5x5x20	1
5	JTS700-505	Locate Block		1
6	TS-1540081	Hex Nut	M12	1
7	JTS700-507	Link Plate		1
8	BB-6004W	Bearing	6004LLB	2
9	JTS700-509	Wave Washer	26X34	1
10	TS-1540071	Hex Nut	M10	1
11	JTS700-511	Grip Plate		1
12	TS-2249402	Socket Head Button Screw	M10x45	4
13	TS-1522051	Socket Set Screw	M5x16	2
14	JTS700-514	Belt Pulley		1
15	TS-1550061	Flat Washer	M8	1
16	TS-2361081	Lock Washer	M8	1
17	JTS700-517	Poly-Belt	180J-12	1
18	TS-1504031	Socket Head Cap Screw	M8x16	1
19	TS-1524041	Socket Set Screw	M8x16	3
20	JTS700-520	Arbor Pulley		1
21	JTS700-521	Shaft		3
22	JTS700-522	Main Motor Plate		1
23	TS-2360121	Flat Washer	M12X24	3
24	TS-2361121	Lock Washer	M12	3
25	TS-1492011	Hex Cap Screw	M12x25	3
26	JTS700-526	Key	7X7X30	1
27	TS-1504031	Socket Head Cap Screw	M8x16	1
28	TS-2361081	Lock Washer	M8	4
29	TS-2248162	Socket Head Button Screw	M8x16	4
30	TS-2361081	Lock Washer	M8	1
31	TS-1550061	Flat Washer	M8X30	1
32	JTS700-532	Rotate Plate		1
33	TS-1506041	Socket Head Cap Screw	M12x35	3
34	JTS700-534	Shaft		1
35	JTS700-535	Bushing		1
36	TS-2248162	Socket Head Button Screw	M8x16	3
37	JTS700-537	Bushing		3
38	TS-1550061	Flat Washer	M8X18	4
39	TS-2361081	Lock Washer	M8	4
40	TS-2248162	Socket Head Button Screw	M8x16	1
41	JTS700-541	Main Arbor		1
42	JTS700-542	Arbor Flange		1
43	JTS700-543	Stud		2
44	TS-1491081	Hex Cap Screw	M10x50	1
45	TS-1550071	Flat Washer	M10	1
46	JTS700-546	Riving Knife		1
47	JTS700-547	Hose	3"X95cm	1
48	JTS700-548	Hose Clamp	3-1/4"	2
49	JTS700-549	Plate		1
50	JTS700-550	Bushing		1
51	JTS700-551	Hex Nut	M12x1.75(L.H)	1
52	JTS700-552	Bushing		1
53	JTS700-553-1	Motor	3HP, 1Ph, 230V	1
	JTS700-553-3	Motor	5HP, 3Ph, 400V	1
	JTS700-553RCE	Running Capacitor, (not shown)	60uF/350VAC	1
	AB200702	Motor Break Assembly (not shown)		1
54	TS-2361101	Lock Washer	M10	4
55	TS-2245122	Socket Head Button Screw	M5x12	4

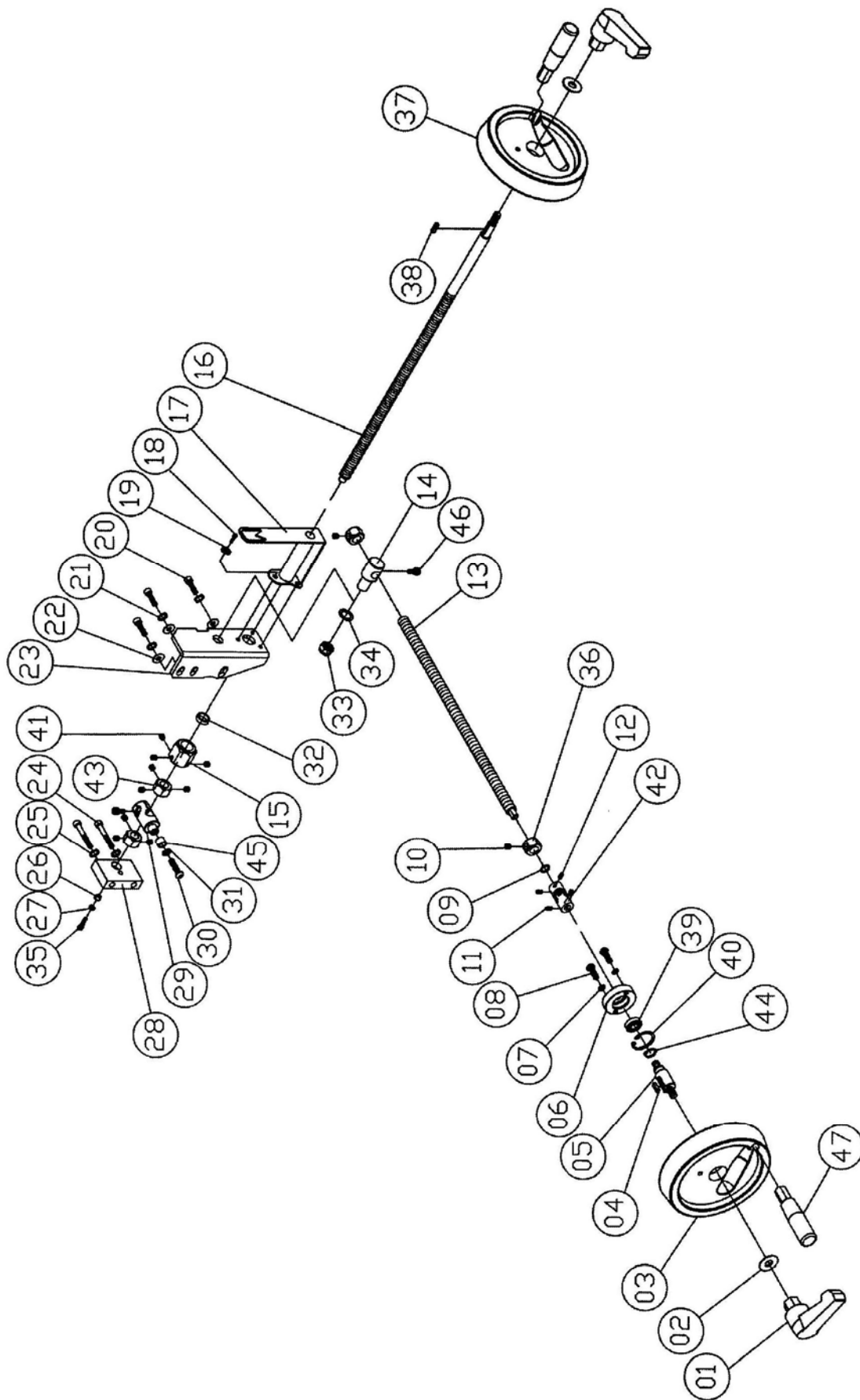
# Breakdown for Trunnion Assembly



## Part List for Trunnion Assembly

No.	Part No.	Description	Size	Qty
1	JTS700-601	Channel Base		1
2	JTS700-602	Trunnion Bracket		2
3	TS-1503021	Socket Head Cap Screw	M6x10	2
4	TS-2361061	Lock Washer	M6	2
5	TS-1504031	Socket Head Cap Screw	M8x16	2
6	JTS700-606	Socket Head Button Screw	M8x35	4
7	TS-2361081	Lock Washer	M8	4
8	JTS700-608	Stop Bracket		1
9	JTS700-609	Switch		1
10	TS-1532032	Pan Head Screw	M4x10	2
11	TS-2245102	Socket Head Cap Screw	M5x10	2
12	TS-2361081	Lock Washer	M8X18	4
13	JTS700-613	Cover Plate		1
14	JTS700-614	Hinge		2
15	TS-1533032	Pan Head Screw	M5x8	8
16	JTS700-616	Saw Blade	250x2.6x30x40P	1
17	JTS700-617	Magnetic Iron		2
18	JTS700-618	Dust Chute		1
19	TS-1533052	Pan Head Screw	M5x16	1
20	TS-1541011	Nylon Lock Nut	M5	4
21	TS-2361051	Lock Washer	M5X10	4
22	JTS700-622	Locate Plate		1
23	TS-1533052	Pan Head Screw	M5X16	2
24	TS-1550031	Flat Washer	M5	2
25	TS-1540021	Hex Nut	M4	4
26	TS-1550021	Flat Washer	M4X8	6

# Breakdown for Rotation Mechanism Assembly

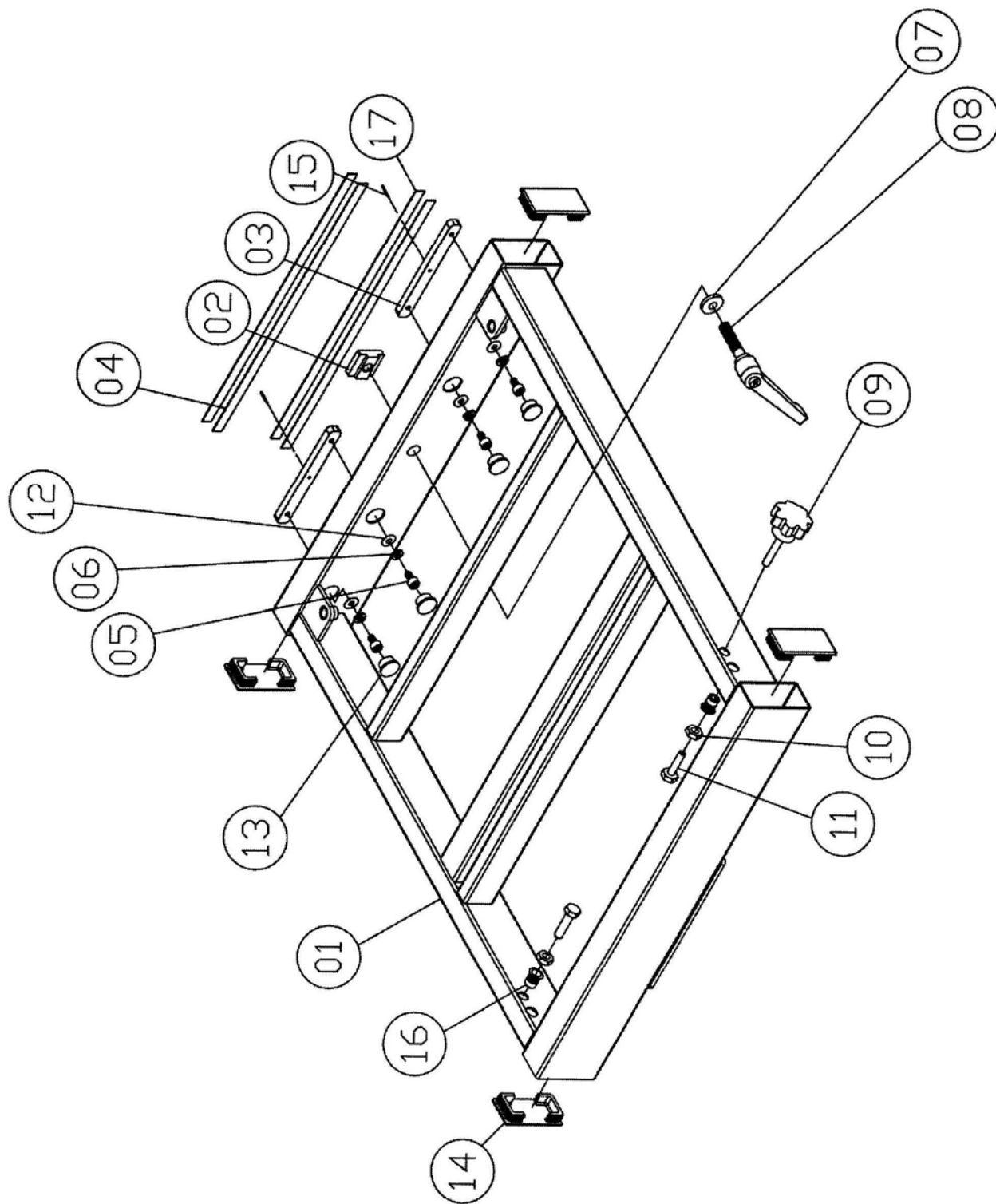




## Part List for Rotation Mechanism Assembly

No.	Part No.	Description	Size	Qty
1	JTS700-701	Adjust Handle	M10	2
2	TS-1550071	Flat Washer	M10	2
3	JTS700-703	Hand Wheel (Plastic)		1
4	JTS700-704	Key	7x7x20	1
5	JTS700-705	Hand Wheel Shaft		1
6	JTS700-706	Locate Ring		1
7	TS-2361081	Lock Washer	M8	2
8	TS-2248162	Socket Head Button Screw	M8x16	2
9	TS-1550071	Flat Washer	M10	1
10	TS-1523011	Socket Set Screw	M6x6	4
11	JTS700-711	Spring Pin	5x20	2
12	TS-1523031	Socket Set Screw	M6x10	2
13	JTS700-713	Screw	M16x2Px2T	1
14	JTS700-714	Nut		1
15	JTS700-715	Locate Ring		1
16	JTS700-716	Screw	M16x2Px2T	1
17	JTS700-717	Finger Guide		1
18	TS-1503021	Socket Head Cap Screw	M6x10	3
19	TS-2361061	Lock Washer	M6	3
20	TS-1504041	Socket Head Cap Screw	M8x20	3
21	TS-2361081	Lock Washer	M8	3
22	TS-1550061	Flat Washer	M8	3
23	JTS700-723	Strut Board		1
24	JTS700-724	Socket Head Cap Screw	M8x50	2
25	TS-2361081	Lock Washer	M8	2
26	JTS700-726	Bearing Self Lubricating		1
27	TS-1550041	Flat Washer	M6	1
28	JTS700-728	Locate Block		1
29	JTS700-729	Adjust Block		1
30	TS-2246102	Socket Head Button Screw	M6x10	1
31	TS-1550041	Flat Washer	M6X16	1
32	JTS700-732	Sleeve		1
33	TS-2342161	Nylon Lock Nut	M16	1
34	JTS700-734	Copper Washer	16x24x0.2T	1
35	TS-2246122	Socket Head Button Screw	M6x12	1
36	TS-2342161	Hex Nut	M16x2Px2T	2
37	JTS700-737	Hand Wheel (Plastic)		1
38	JTS700-738	Key	5x5x20	1
39	BB-6902ZZ	Ball Bearing	6902ZZ	1
40	JTS700-740	Int. Retaining Ring	R28	1
41	TS-1523011	Socket Set Screw	M6x6	2
42	JTS700-742	Free Joint		1
43	JTS700-743	Hex Nut (Left Thread)	M16X2T	2
44	JTS700-744	Int. Retaining Ring	C15	1
45	JTS700-745	Separately		1
46	TS-1491021	Cap Screw	M10X20	2
47	JTS700-747	Handle		2

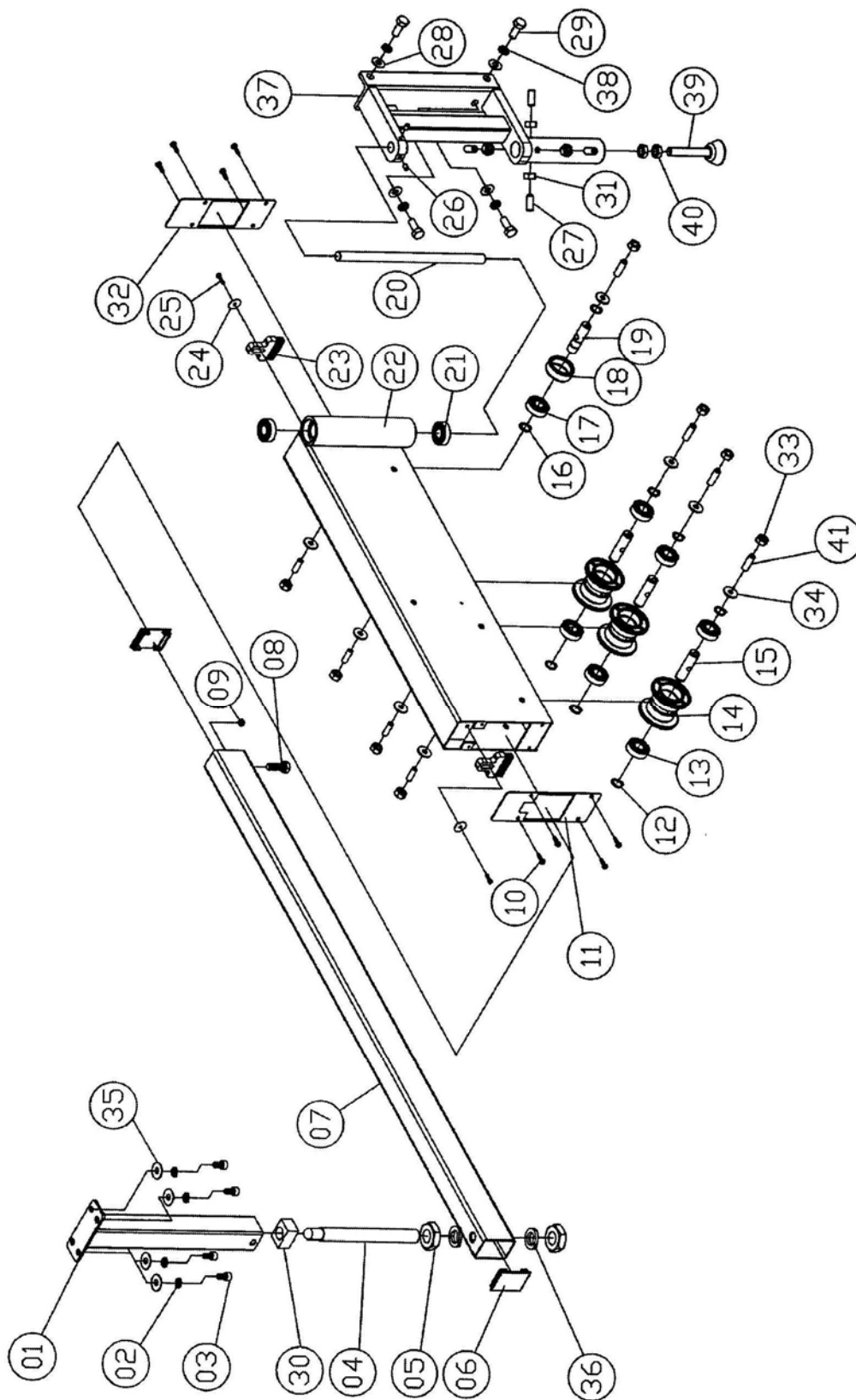
# Breakdown for Outrigger Table Assembly



## Part List for Outrigger Table Assembly

No.	Part No.	Description	Size	Qty
1	JTS700-801	Support Frame		1
2	JTS700-802	Adjusting block	M12xP1.75	1
3	JTS700-803	Plate		2
4	JTS700-804	Pad		2
5	TS-2246162	Button Head Screw	M6x16	4
6	TS-2361061	Spring Washer	M6	4
7	TS-2360121	Flat Washer	M12x30	1
8	JTS700-808	Adjust Handle	M12xP1.75x55	1
9	JTS700-809	Knob Screw	M8x50	1
10	TS-1540061	Hex Nut	M8	2
11	TS-1490071	Hex Head Screw	M8x40	2
12	TS-1550041	Flat Washer	M6	4
13	JTS700-813	Plug		4
14	JTS700-814	Plug	80x40	4
15	JTS700-815	Pin	5x15	2
16	JTS700-816	Pull Nut	M8	2
17	JTS700-817	Sponge	2x10x500	2

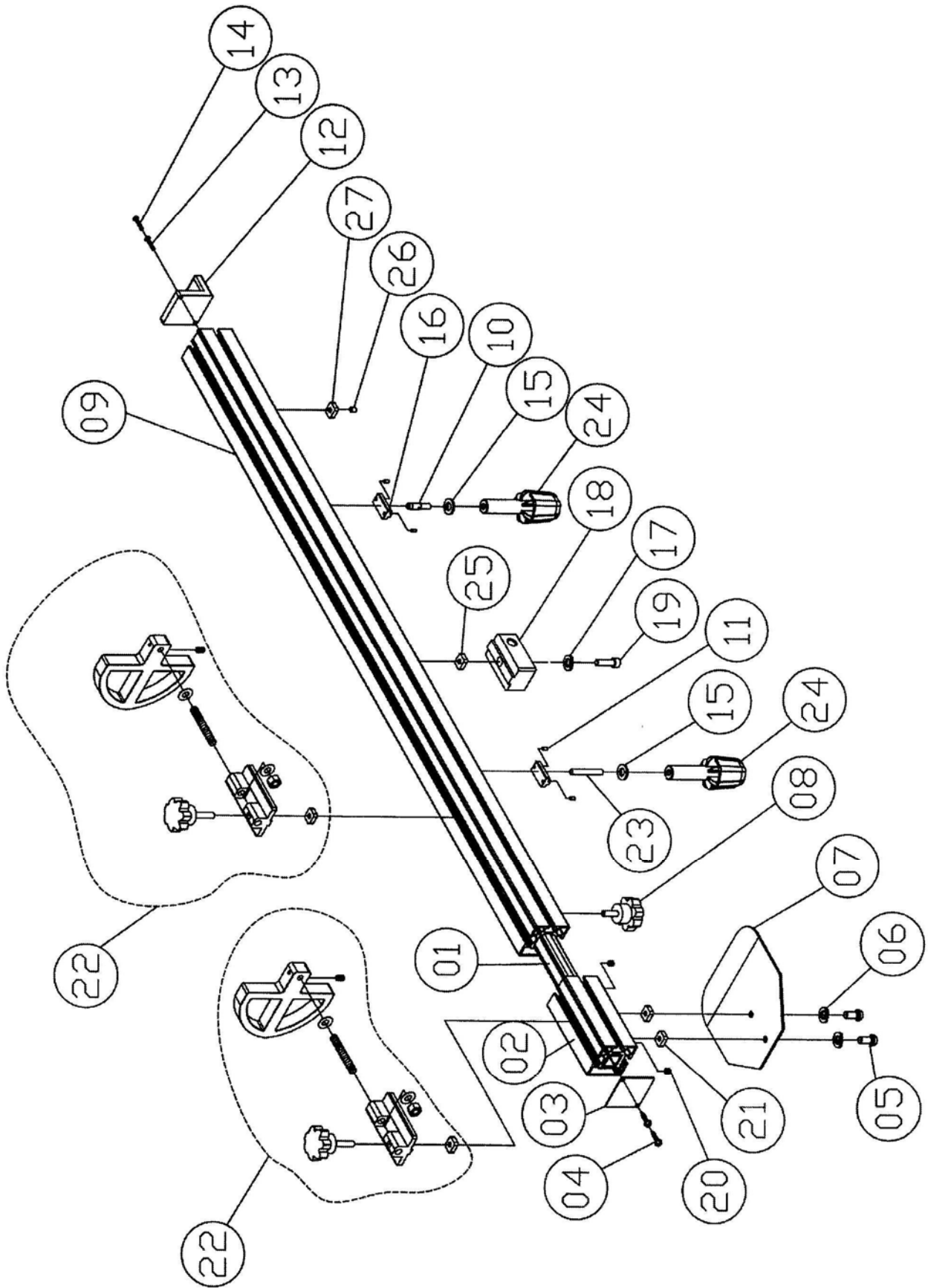
# Breakdown for Outrigger Table Support Assembly



## Part List for Outrigger Table Support Assembly

No.	Part No.	Description	Size	Qty
1	JTS700-901	Frame		1
2	TS-1551041	Spring Washer	M6	4
3	TS-1503041	Cap Screw	M6x16	4
4	JTS700-904	Rotary Shaft		1
5	TS-2310201	Hex Nut	M20	2
6	JTS700-906	Plug	40x80	2
7	JTS700-907	Sliding Tube		1
8	TS-1490051	Hex Head Bolt	M8x30	1
9	TS-1540061	Hex Nut	M8	1
10	TS-1532032	Tapping Screw	M4x10	8
11	JTS700-911	Cover		1
12	JTS700-912	Retaining Ring	S15	6
13	BB-6202ZZ	Bearing	6202ZZ	6
14	JTS700-914	Roller		3
15	JTS700-915	Adjust Shaft		3
16	JTS700-916	Retaining Ring	S15	2
17	BB-6202ZZ	Bearing	6202ZZ	1
18	JTS700-918	Ring		1
19	JTS700-919	Adjust Shaft		1
20	JTS700-920	Set Bar		1
21	BB-6202ZZ	Bearing	6202ZZ	2
22	JTS700-922	Rotary Arm		1
23	JTS700-923	Brush		2
24	TS-1550041	Flat Washer	M6	2
25	TS-1482041	Cap Screw	M6x20	2
26	TS-1523031	Set Screw	M6x10	2
27	TS-1525041	Set Screw	M10x20	4
28	TS-1550071	Flat Washer	M10	4
29	TS-1491051	Hex Head Bolt	M10x35	4
30	JTS700-930	Plug		1
31	TS-1540071	Hex Nut	M10	4
32	JTS700-932	Cover		1
33	TS-1490031	Hex Head Bolt	M8x20	8
34	TS-1550061	Flat Washer	M8	8
35	TS-1550041	Flat Washer	M6	4
36	TS-2361201	Spring Washer	M20	2
37	JTS700-937	Supporting Frame		1
38	TS-2361101	Spring Washer	M10	4
39	JTS700-939	Seat Pad	M12x75	1
40	TS-1540081	Hex Nut	M12	2
41	TS-2361081	Spring Washer	M8	8

# Breakdown for Extended Fence Assembly



## Part List for Extended Fence Assembly

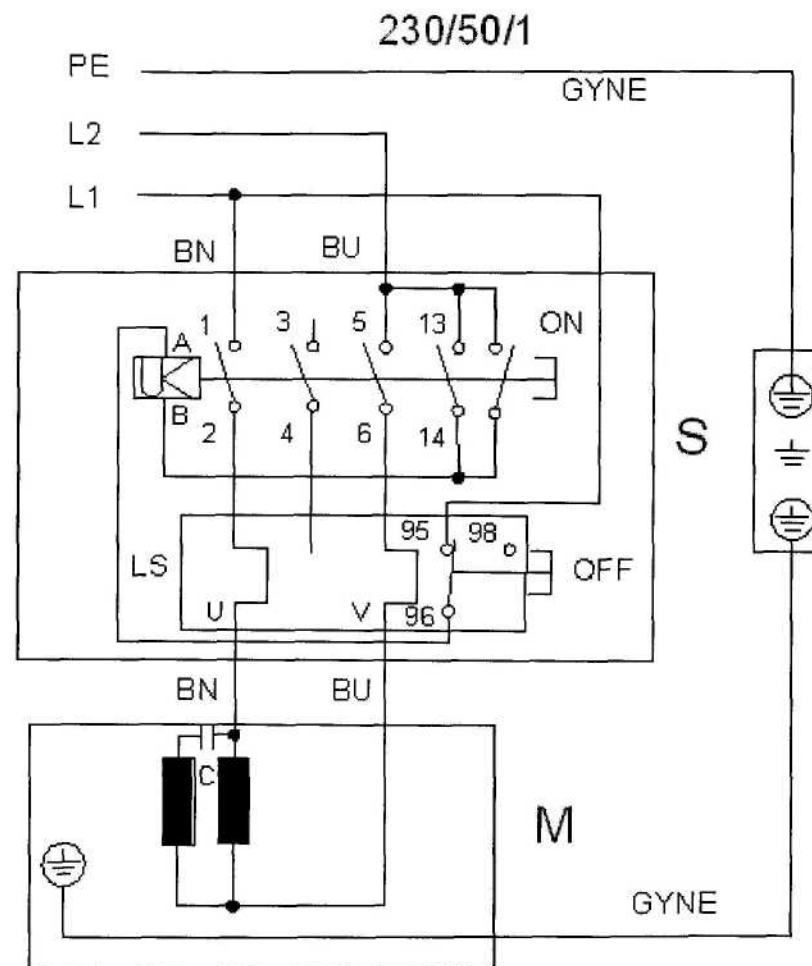
No.	Part No.	Description	Size	Qty
1	JTS700-1001	Connecting Rod	1300	1
2	JTS700-1002	Extended Fence		1
3	JTS700-1003	Cover		1
4	JTS700-1004	Phillips Head Sheet Metal Screw	M4x10	2
5	TS-1504031	Button Head Screw	M8x16	2
6	TS-2361081	Spring Washer	M8	2
7	JTS700-1007	Locate Plate		1
8	JTS700-1008	Knob	M8x25	1
9	JTS700-1009	Square Fence	1300mm	1
10	JTS700-1010	Rotate Shaft		1
11	JTS700-1011	Spring Plungers with Ball	M4x9	4
12	JTS700-1012	Rotate Block		1
13	TS-1532032	Pan Head Screw	M4x10	1
14	JTS700-1014	Pan Head Screw	M4x35	1
15	TS-1550061	Flat Washer	M8	2
16	JTS700-1016	Block		2
17	TS-2361081	Spring Washer	M8	1
18	JTS700-1018	Locate Block		1
19	TS-1504061	Cap Screw	M8x30	1
20	JTS700-1020	Set Bar	M6x6	2
21	JTS700-1021	T-Nut	M8xP1.25	2
22	JTS700-1022	Flip Stop		2
23	JTS700-1023	Set Screw	M8x70	1
24	JTS700-1024	Knob Screw		2
25	JTS700-1021	T-Nut	M8xP1.25	1
26	TS-1524011	Set Screw	M8x8	1
27	JTS700-1021	T-Nut	M8xP1.25	1

JTS-700  
10000060M/10000061M

	colour of strands	Litzenfarben	couleur des cordons
BU	blue	blau	bleu
BN	brown	braun	brun
RD	Red	rot	rouge
GNYE	green-yellow	grun-gelb	vert-jaune

	meaning of symbol	Bedeutung der Zeichen	interpretation
M	main motor	Hauptmotor	moteur principal
S1	emergency stop switch	Not-Aus Schalter	arrest d'urgence
S2	off switch	Aus-Schalter	bouton arret
S3	start switch	Ein-Schalter	bouton marche
KM1	contactor for main motor	Hauptschütz	contacteur moteur
F	fuse	Sicherung	fusible
BR	Bridge rectifier	Brückengleichrichter	rectifier
TR	transformer	Transformator	transformateur
LS	limit switch	Positionsendschalter	micro

230/50/1





JTS-700  
10000060T/10000061T

	colour of strands	Litzenfarben	couleur des cordons
BU	blue	blau	bleu
BN	brown	braun	brun
RD	Red	rot	rouge
GNYE	green-yellow	grun-gelb	vert-jaune

	meaning of symbol	Bedeutung der Zeichen	interpretation
M	main motor	Hauptmotor	moteur principal
S1	emergency stop switch	Not-Aus Schalter	arrest d'urgence
S2	off switch	Aus-Schalter	bouton arret
S3	start switch	Ein-Schalter	bouton marche
KM1	contactor for main motor	Hauptschütz	contacteur moteur
F	fuse	Sicherung	fusible
BR	Bridge rectifier	Brückengleichrichter	rectifier
TR	transformer	Transformator	transformateur
LS	limit switch	Positionsendschalter	micro

380/50/3

