

JET

JTSS-1500

PANEL SAW

1000020M...230/50/1

1000020T....400/50/3

PARTS LIST

ERSATZTEILLISTE

LISTE DE PIECES

WMH Tool Group AG

Bahnstrasse 24, CH – 8603 Schwerzenbach

www.wmhtoolgroup.ch

info@wmhtoolgroup.ch

Tel +41 (0)44 806 47 48

Fax +41 (0) 44 806 47 58



P-1000020M / 1000020T

11/06

Parts List For The JTSS-1500 Panel Saw Table and Rail Assembly

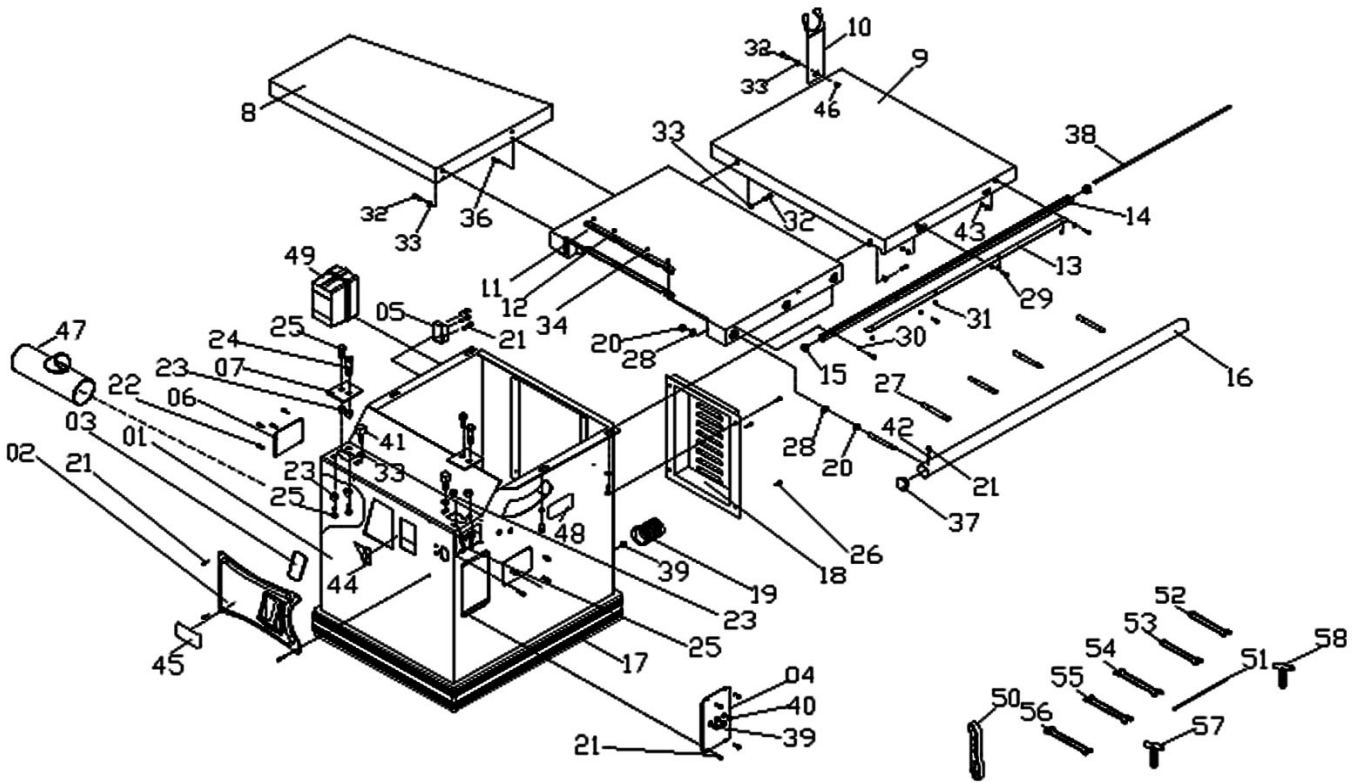


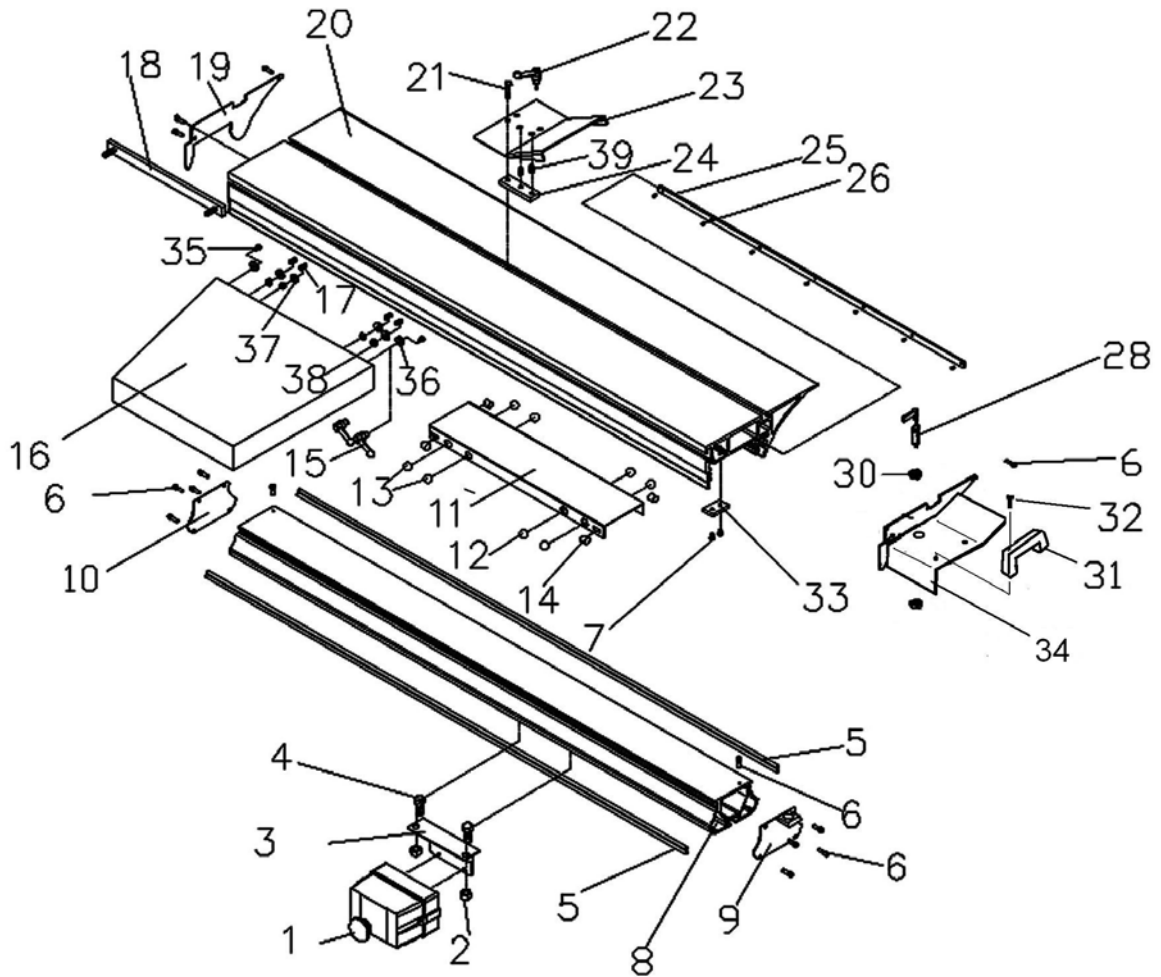
Table and Rail Assembly

Index No.	Part No.	Description	Size	Qty.
1	JTSS1500-101	Cabinet		1
2	JTSS1500-102	Cabinet Cover		1
3	JTSS1500-103	Angle Plate		1
4	JTSS1500-104	Switch Plate		1
5	JTSS1500-105	Scale Dust Cover		1
6	JTSS1500-106	Adjustment Bolt Cover		2
7	JTSS1500-107	Adjustment Plate		2
8	JTSS1500-108	Extension Table (Front)		1
9	JTSS1500-109	Extension Table (Right)		1
10	JTSS1500-110	Hose Support		1
11	JTSS1500-111	Main Table		1
12	JTSS1500-112	Table Insert		1
13	JTSS1500-113	Gear		1
14	JTSS1500-114	Gear Base		1
15	JTSS1500-115	Gear Base Cover		2
16	JTSS1500-116	Rail		1
17	JTSS1500-117	Strip		1
18	JTSS1500-118	Motor Cover		1
19	JTSS1500-119AE	Main Plug	400V 3Ph	1
	JTSS1500-119E	Power Cord (not shown)	230V 1Ph	1

Table and Rail Assembly

Index No.	Part No.	Description	Size	Qty.
20	TS-1540081	Hex Nut	M12x1.75P	15
21	TS-1503031	Socket Head Cap Screw	M6x12	8
22	TS-1503031	Socket Head Cap Screw	M6x12	8
23	TS-2310142	Hex Nut	M14x1.5P	10
24	JTSS1500-124	Hex Cap Bolt	M14x60	2
25	JTSS1500-125	Hex Cap Bolt	M14x30	8
26	TS-1503131	Socket Head Cap Screw	M6x1.0Px60	4
27	JTSS1500-127	Socket Set Screw	M12x100	5
28	TS-2360121	Flat Washer	M12	14
29	TS-1503051	Socket Head Cap Screw	M6x20	5
30	TS-0680021	Flat Washer	1/4"	8
31	TS-1502011	Socket Head Cap Screw	M5x0.8Px8	5
32	TS-1504051	Socket Head Cap Screw	M8x1.25Px25	4
33	TS-1550061	Flat Washer	M8	9
34	TS-1513011	Socket Head Flat Screw	M5x0.8Px10	4
36	TS-1524051	Socket Set Screw	M8x20	2
37	JTSS1500-137	Rubber Plug		2
38	JTSS1500-138	Scale		1
39	JTSS1500-139	Clamp	PG13.5	9
40	JTSS1500-140	Clamp	PG11	5
41	JTSS1500-141	Positioning Screw	M12	2
42	JTSS1500-142	Eccentric Washer		1
43	TS-2311061	Hex Nut	M6x1.0P	4
44	JTSS1500-144	Angle Indicator		1
45	JTSS1500-145	Blade Angle Label		1
46	TS-1541031	Lock Nut	M8	1
47	JTSS1500-147	Dust Chute Y-piece		1
48	JTSS1500-148	Label for Blade Rise-down		1
49	JTSS3000-132	Motor break Control box assembly		1
	JTSS3000-132TRE	Transformer for Break (not shown)		1
	JTSS3000-132BRE	Bridge rectifier for Break (not shown)		1
	JTSS3000-132FUE	Fuse 2A for Break (not shown)		2
50	JTSS1500-150	Push Stick		1
51	JTSS1500-151	Arbor index pin	ø 8mm	1
52	JTSS1500-152	Open end wrench	13mm	1
53	JTSS1500-153	Open end wrench	19mm	1
54	JTSS1500-154	Open end wrench	10-12mm	1
55	JTSS1500-155	Open end wrench	14-17mm	1
56	JTSS1500-156	Open end wrench	22-24mm	1
57	JTSS1500-157	T-style allen wrench	4mm	1
58	JTSS1500-158	T-style allen wrench	5mm	1

**Parts List For The JTSS-1500 Panel Saw
Sliding Table Assembly**



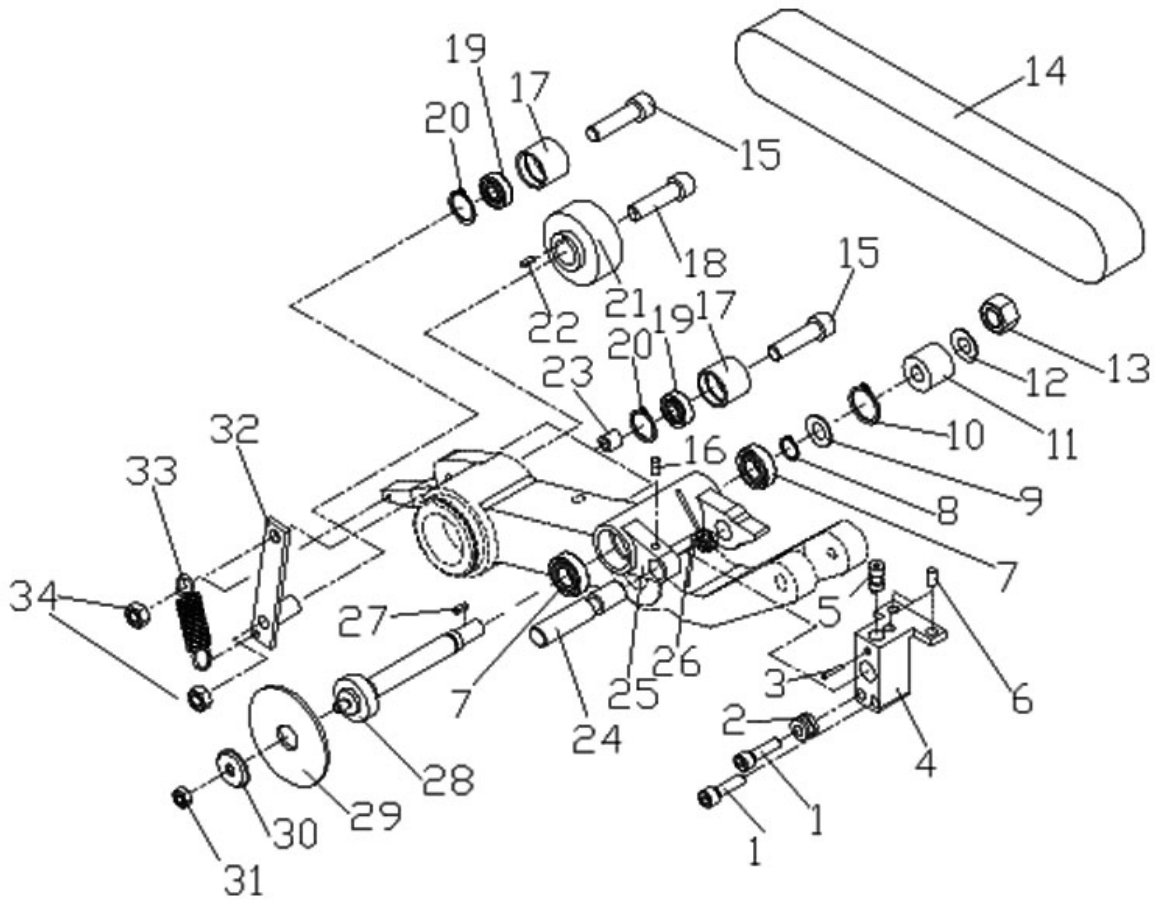
Sliding Table Assembly

Index No.	Part No.	Description	Size	Qty.
1	JTSS1500-201AE	Magnetic Switch Assembly	4Hp 400V 3ph	1
	JTSS1500-201E	Magnetic Switch Assembly	3Hp 230V 1ph	1
	JTSS1500-201CSAE	Contacteur Switch (not shown)	4HP 400V 3ph	1
	JTSS1500-201CSE	Contacteur Switch (not shown)	3Hp 230V 1ph	1
	JTSS1500-201ORAE	Overload relay (not shown)	4Hp 400V 3ph	1
	JTSS1500-201ORE	Overload relay (not shown)	3Hp 230V 1ph	1
2	TS-154009	Hex Nut	M14	2
3	JTSS1500-203	Fuse Terminal Table		2
4	JTSS1500-204	Hex Cap Bolt	M14x30	2
5	JTSS1500-205	Track Strip		8
6	TS-1503041	Socket Head Cap Screw	M6x1.0Px16	32
7	JTSS1500-207	Flat Head Cap Screw	M8x16	4
8	JTSS1500-208	Sliding Base		1
9	JTSS1500-209	Sliding Base Cover (Front)		1

Sliding Table Assembly

Index No.	Part No.	Description	Size	Qty.
10	JTSS1500-210	Sliding Base Cover (Rear)		1
11	JTSS1500-211	Steel Ball Base		1
12	JTSS1500-212	Steel Ball	ø18.1	6
13	JTSS1500-213	Steel Ball	ø17.5	6
14	JTSS1500-214	Steel Ball Base Sponge		4
15	JTSS1500-215	Adjust Lever	M10	2
16	JTSS1500-216	Extension Table		1
17	JTSS1500-217	Nylon Screw	M12x1.75P	4
18	JTSS1500-218	Work Table Lock Board		1
19	JTSS1500-219	Table Cover		1
20	JTSS1500-200	Slide Table		1
21	JTSS1500-221	Hex Cap Bolt	M10x1.5Px15	1
22	JTSS1500-222	Adjust Lever	M10x1.5P	1
23	JTSS1500-223	Stop Board		1
24	JTSS1500-224	Stop Board Plate		1
25	JTSS1500-225	Adjustment Bar		1
26	TS-1482041	Hex Cap Bolt	M6x20	8
28	JTSS1500-228	Index Pin Assembly		1
30	TS-154010	Hex Nut	M16	2
31	JTSS1500-231E	Plastic Handle		1
32	JTSS1500-232	Socket Head Cap Screw		2
33	JTSS1500-233	Rubber Plate		2
34	JTSS1500-234E	Sliding Table Cover Assembly		1
35	TS-1482051	Hex Cap Bolt	M6x25	2
36	JTSS1500-236	Position Bushing		2
37	TS-0680021	Flat Washer	1/4"	6
38	JTSS1500-238	Lock Nut	M6	2
39	TS-1525011	Socket Set Screw	M10x10	2
	JTSS1500-STA	Sliding Table Assembly JTSS-1500		

**Parts List For The JTSS-1500 Panel Saw
Scoring Assembly**



Scoring Assembly

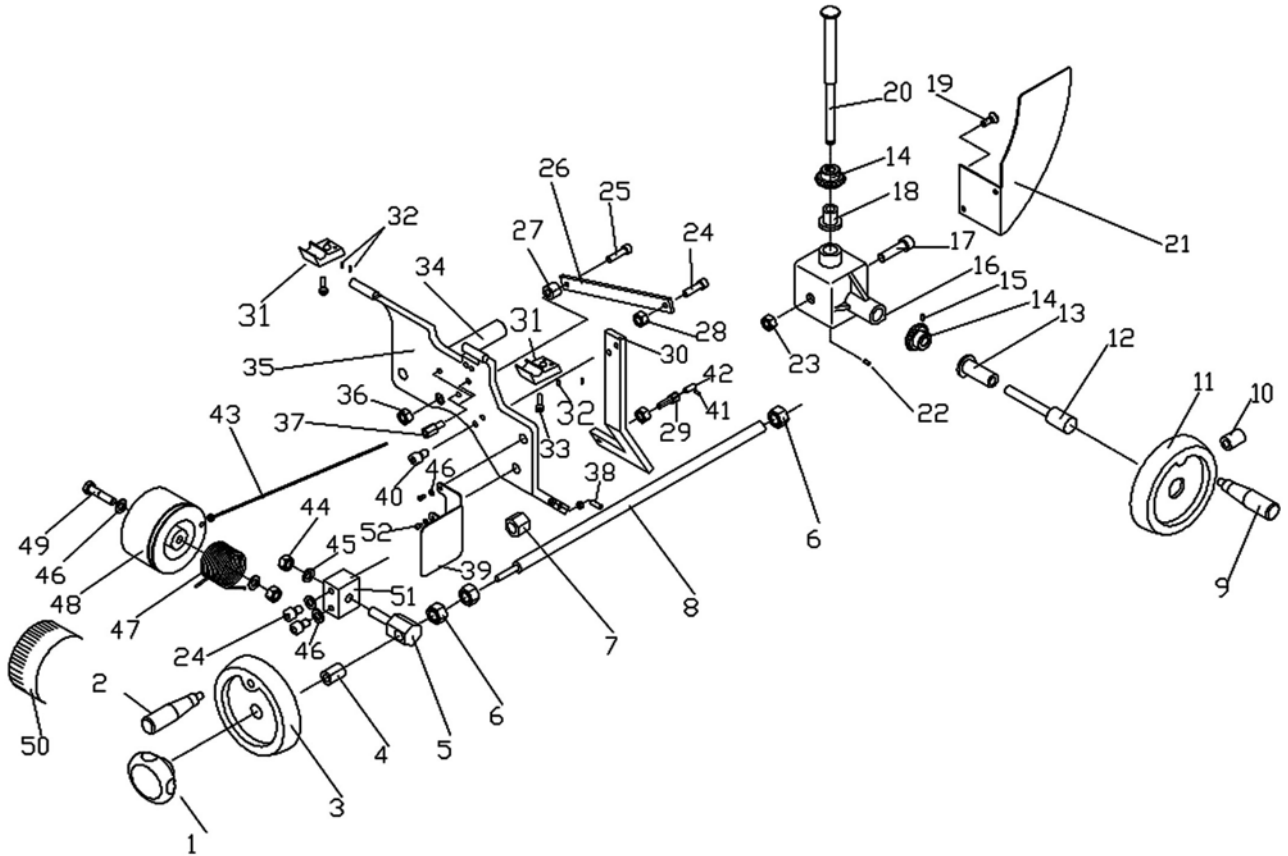
Index No.	Part No.	Description	Size	Qty.
1	TS-1504071	Socket Head Cap Screw	M8x35	2
2	JTSS1500-302	Sleeve		1
3	TS-1522031	Socket Set Screw	M5x10	1
4	JTSS1500-304	Link Shaft Fix Base		1
5	JTSS1500-305	Adjustment Screw		1
6	TS-1524061	Socket Set Screw	M8x25	3
7	BB-6002ZZ	Ball Bearing	6002	2
8	JTSS1500-308	Ring	STW-15	1
9	JTSS1500-309	Lock Washer	M15	2
10	JTSS1500-310	Ring	RTW-32	2
11	JTSS1500-311	Blade Pulley		1
12	TS-1550061	Flat Washer	M8	9
13	JTSS1500-313	Nut	M8x1.25 (LT)	1
14	JTSS1500-314	Flat Belt	930x17x1mm	1
15	JTSS1500-315	Socket Head Cap Screw	M10X55	3
16	TS-1502021	Socket Set Screw	M5x10	2
17	JTSS1500-317	Pulley		3
18	TS-1504051	Socket Head Cap Screw	M8x25	1
19	BB6000	Ball Bearing	6000	3

Scoring Assembly

Index No.	Part No.	Description	Size	Qty.
20.....	JTS1500-320.....	Ring.....	RTW-26.....	3
21.....	JTSS1500-321.....	Blade Pulley.....		1
22.....	JTSS1500-322.....	Key.....	6x6x20.....	1
23.....	JTSS1500-323.....	Pulley Pad.....		4
24.....	JTSS1500-324.....	Blade Link Shaft Arbor.....		1
25.....	JTSS1500-325.....	Blade Link Shaft.....		1
26.....	JTSS1500-326.....	Spring.....		1
27.....	JTSS1500-327.....	Key.....	4x4x10.....	1
28.....	JTSS1500-328.....	Blade Arbor.....		1
29.....	JTSS1500-329.....	Scoring Blade.....	ø80/ ø20mm.....	1
30.....	JTSS1500-330.....	Flange.....		1
31.....	JTSS1500-331.....	Nylon Nut.....	M8x1.25P.....	4
32.....	JTSS1500-332.....	Pulley Support.....		1
33.....	JTSS1500-333.....	Spring.....		1
34.....	JTSS1500-334.....	Nylon Nut.....	M10x1.5P.....	2

Parts List For The JTSS-1500 Panel Saw

Turning Assembly



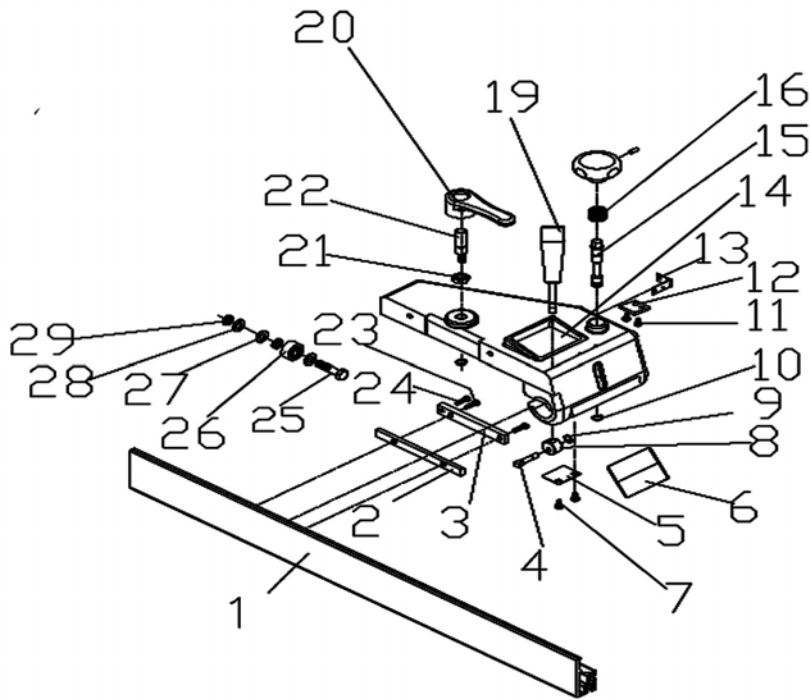
Turning Assembly

Index No.	Part No.	Description	Size	Qty.
1	JTSS1500-401	Knob Nut	M10x1.5	1
2	JTSS1500-402	Handle		1
3	JTSS1500-403	Hand Wheel		1
4	JTSS1500-404	Hand Wheel Pad		1
5	JTSS1500-405	Fix Arbor		1
6	JTSS1500-406	Square Nut		3
7	JTSS1500-407	Square Nut		2
8	JTSS1500-408	Screw		1
9	JTSS1500-409	Handle		1
10	JTSS1500-410	Socket Set Screw	M8x14	1
11	JTSS1500-411	Handle Wheel		1
12	JTSS1500-412	Handle Wheel Arbor		1
13	JTSS1500-413	Copper Sleeve		1
14	JTSS1500-414	Gear		2
15	TS-0267021	Socket Set Screw	1/4"x1/4"	2
16	JTSS1500-416	Gear Box		1
17	JTSS1500-417	Hex Cap Bolt	M16x2.0Px40	1
18	JTSS1500-418	Copper Sleeve		1
19	TS-1514021	Socket Head Flat Screw	M6x16	32

Turning Assembly

Index No.	Part No.	Description	Size	Qty.
20	JTSS1500-420	Worm		1
21	JTSS1500-421	Upper Cover		1
22	JTSS1500-422	Pin	∅ 3x24	1
23	JTSS1500-423	Lock Nut	M16	1
24	TS-1504061	Socket Head Cap Screw	M8x30	3
25	TS-1504031	Socket Head Cap Screw	M8x16	1
26	JTSS1500-426	Crank		1
27	JTSS1500-427	Pulley Pad		
28	TS-2311081	Hex Nut	M8	5
29	JTSS1500-429	Gather Bolt		1
30	JTSS1500-430	Gather Shaft		1
31	JTSS1500-431	Rotate Part Fix		2
32	JTSS1500-432	Pin	∅ 3x20	4
33	TS-1504041	Socket Head Cap Screw	M8x20	2
34	JTSS1500-434	Body Arbor		1
35	JTSS1500-435	Body		1
36	TS-1541031	Lock Nut	M8x1.25P	4
37	JTSS1500-437	Cover Sport		3
38	TS-1523071	Socket Set Screw	M6x25	2
39	JTSS1500-439	Cover		1
40	TS-1505031	Socket Head Cap Screw	M10x25	2
41	TS-1501031	Socket Set Screw	M4x10	1
42	JTSS1500-442	Steel Rope Jacket		1
43	JTSS1500-443	Steel Rope		1
44	TS-2342121	Lock Nut	M12	3
45	TS-2360121	Flat Washer	M12	11
46	TS-1550061	Flat Washer	M8	9
47	JTSS1500-447	Spring		1
48	JTSS1500-448	Steel Rope Wheel		1
49	JTSS1500-449	Hex Cap Bolt	M8x75	1
50	JTSS1500-450	Scale Label		1
51	JTSS1500-451	Fix Arbor Nut		1
52	TS-1502021	Socket Head Cap Screw	M5x10	2

**Parts List For The JTSS-1500 Panel Saw
Rip Fence Assembly**



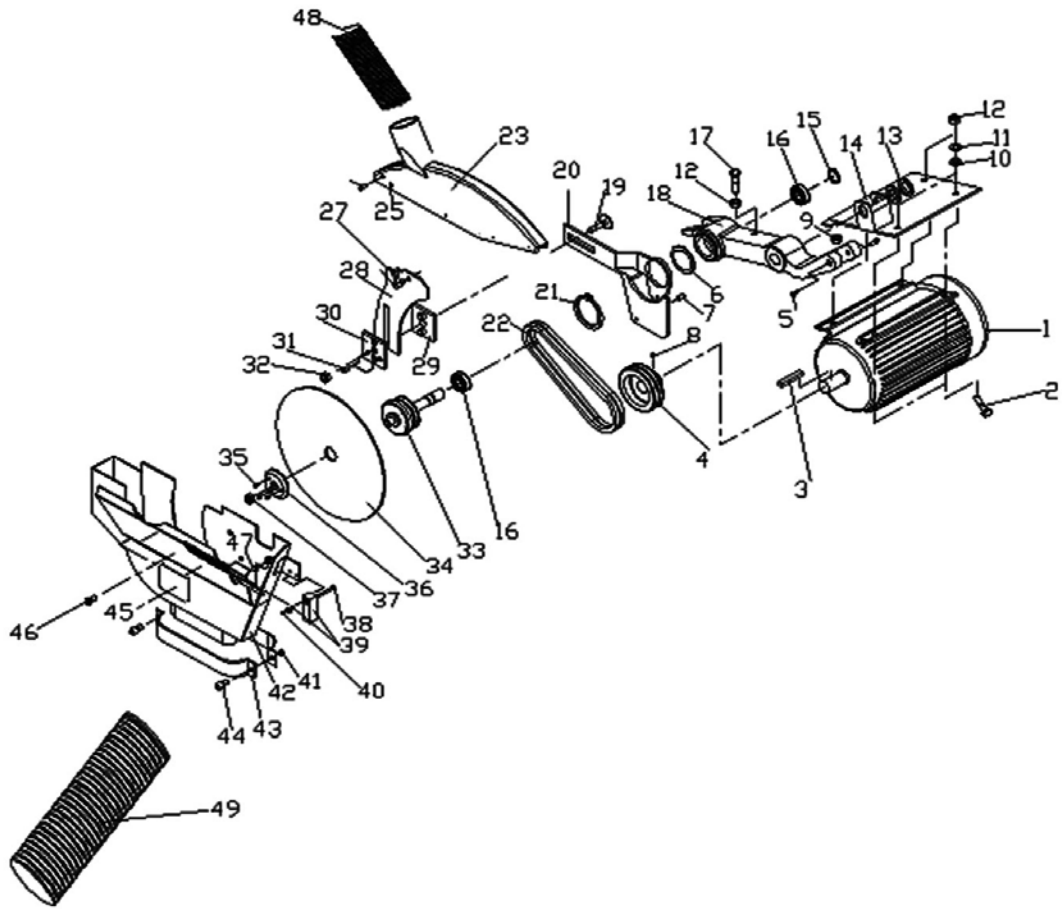
Rip Fence Assembly

Index No.	Part No.	Description	Size	Qty.
1	JTSS1500-501	Rip Fence		1
2	JTSS1500-502	Lock Block (Long)		1
3	JTSS1500-503	Lock Block (Short)		1
4	JTSS1500-504	Eccentric Arbor		1
5	JTSS1500-505	Push Board		1
6	JTSS1500-506	Label		1
7	JTSS1500-507	Round Head Screw	M5x8	2
8	JTSS1500-508	Eccentric Wheel		1
9	JTSS1500-509	Ring	STW-8	1
10	JTSS1500-510	Ring	STW-16	2
11	JTSS1500-511	Round Head Screw	M4x0.7Px6	2
12	JTSS1500-512	Indicator		1
13	JTSS1500-513	Connect Plate		1
14	JTSS1500-514	Smooth Base		1
15	JTSS1500-515	Gear Arbor		1
16	JTSS1500-516	Spring		1
19	JTSS1500-519	Rubber Handle		1
20	JTSS1500-520	Handle		1
21	JTSS1500-521	Bushing		1
22	JTSS1500-522	Eccentric		1
23	TS-1490111	Hex Cap Bolt	M8x60	2
24	TS-1490051	Hex Cap Bolt	M8x30	1
25	TS-1492051	Hex Cap Bolt	M12x50	1
26	JTSS1500-526	Wheel		1
27	JTSS1500-527	Hex Nut	M12x1.25P	16
28	JTSS1500-528	Star Washer	ø12	2
29	JTSS1500-529	Lock Nut	M12x1.25P	3
	JTSS1500-RFA	Rip Fence Assembly (2-29)		

Miter Fence Assembly

Index No.	Part No.	Description	Size	Qty.
45	JTSS1500-545	Handle		1
46	JTSS1500-546	Cam		1
47	JTSS1500-547	Pin	ø5x30	1
48	JTSS1500-548	Push Plate		1
49	JTSS1500-549	Push Board Spring		1
50	JTSS1500-550	Ring	STW-14	1
51	JTSS1500-551	Push Board		1
52	JTSS1500-552	Push Plate Arbor		1
53	TS-1550071	Flat Washer	M10	1
54	JTSS3000-365	Clamping		1
55	JTSS3000-364	Clamping Rubber Pad		2
56	TS-1523011	Socket Set Screw	M6x6	2
57	JTSS3000-363	Adjust Lever	M6x35	1
58	TS-1540041	Flat Washer	M6	1
59	JTSS3000-361	Clamping Bracket		1
60	JTSS1500-560	Bushing		1
61	TS-1550061	Flat Washer	M8	1
62	TS-1540031	Lock Nut	M8	2
63	JTSS3000-348	Set Nut		1
64	TS-1540031	Hex Nut	M5	3
65	TS-1502061	Socket Head Cap Screw	M5x25	3
66	JTSS1800-566	Scale		1
67	JTSS3000-367	Clamping Shaft		1
	JTSS3000-570	Crosscut Stop Assembly (54 -67)		
	JTSS3000-571	Workpiece Hold down Assembly (43-52)		

Parts List For The JTSS-1500 Panel Saw Motor and Blade Guard Assembly



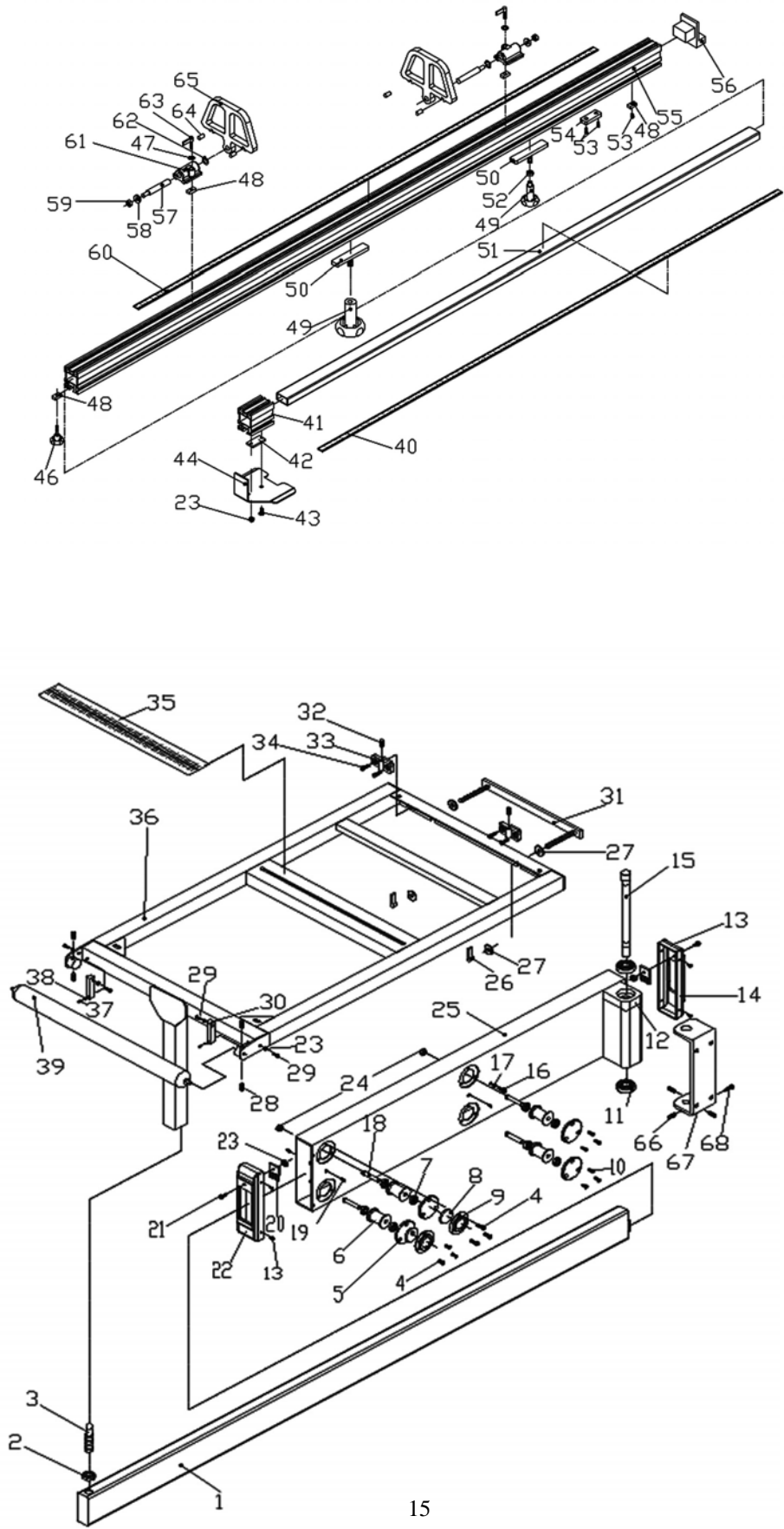
Motor and Blade Guard Assembly

Index No.	Part No.	Description	Size	Qty.
1	JTSS1500-601AE	Motor	4Hp, 3Ph, 400V	1
	JTSS1500-601E	Motor	3Hp, 1Ph, 230V	1
	JTSS1500-601SCE	Starting Capacitor, (not shown)	600MFD, 125VAC	1
	JTSS1500-601RCE	Running Capacitor, (not shown)	45uF, 350VAC	1
	JTSS1500-601MBE	Motor Break Assembly (not shown)		1
2	TS-1491021	Hex Cap Bolt	M10x20	4
3	JTSS1500-603	Key	6x6x30	1
4	JTSS1500-604	Pulley		1
5	TS-1504031	Socket Head Cap Screw	M8x16	3
6	JTSS1500-606	Wave Washer	ø60	1
7	TS-1526011	Socket Set Screw	M12x1.75Px12	5
8	TS-2276101	Socket Set Screw	M6x10	2
9	JTSS1500-609	Square Nut		2
10	TS-1550071	Flat Washer	M10	8
11	TS-2361101	Lock Washer	M10	4
12	TS-1540071	Hex Nut	M10	8
13	JTSS1500-613	Bearing Nut		2
14	JTSS1500-614	Motor Plate		1

Motor and Blade Guard Assembly

Index No.	Part No.	Description	Size	Qty.
15	JTSS1500-615	Ring	STW-20	1
16	BB-6004ZZ	Ball Bearing	6004ZZ	2
17	TS-1491061	Hex Cap Bolt	M10x40	1
18	JTSS1500-618	Rotate Part		1
19	JTSS1500-619	Carriage Bolt	M12x35	1
20	JTSS1500-620	Knife Base		1
21	JTSS1500-621	Ring	STW-60	1
22	JTSS1500-622	V-Belt	3VX-265	2
23	JTSS1500-623	Blade Guard		1
24	JTSS1500-624	Spring Pin	ø6x30	1
25	TS-2311081	Hex Nut	M8	5
27	JTSS1500-627	Adjust Lever	M8x30	1
28	JTSS1500-628	Knife		1
29	JTSS1500-629	Knife Cover		1
30	JTSS1500-630	Cover Fix Block		1
31	TS-1524011	Socket Set Screw	M8x8	4
32	JTSS1500-632	Lock Nut	M12	2
33	JTSS1500-633	Blade Arbor		1
34	JTSS1500-634	Blade	ø315/ ø30mm	1
35	JTSS1500-635	Spring Pin	ø4x12	2
36	JTSS1500-636	Flange		1
37	JTSS1500-637	Hex Nut	M12x1.75P(LT)	1
38	TS-1540021	Hex Nut	M4	2
39	JTSS1500-639	Limit Switch		1
40	JTSS1500-640	Flat Head Screw	M4x40	2
41	TS-1540041	Hex Nut	M6	14
42	JTSS1500-642	Dust Cover		1
43	JTSS1500-643	Clip		2
44	TS-1503061	Socket Head Cap Screw	M6x25	7
45	JTSS1500-645	Stop Block		1
46	JTSS1500-646	Flat Head Screw	M8x20	3
47	JTSS1500-647	Magnet		1
48	JTSS1500-648	Dust collect hose	60mm	1
49	JTSS1500-649	Dust collect hose	100mm	1

**Parts List For The JTSS-1500 Panel Saw
Cross Cut Table Assembly ---Option**



Cross Cut Table Assembly ---Option

Index No.	Part No.	Description	Size	Qty.
1	JTSS1500-701	Extension Sliding		1
2	JTSS3000-302	Hex Nut	M20xP2.5	1
3	JTSS3000-303	Sliding Arm Arbor		1
4	JTSS3000-304	Flat Head Screw	M5x8	6
5	JTSS3000-305	Rotate Arbor Support		4
6	JTSS3000-306	Eccentric Wheel		2
7	JTSS3000-307	Ball Bearing	6901ZZ	4
8	JTSS3000-308	Magnet		2
9	JTSS3000-309	Magnet Base		2
10	JTSS3000-310	Flat Head Screw	M5x8	6
11	BB-6204ZZ	Ball Bearing	6204ZZ	2
12	JTSS3000-312	Bearing Base		2
13	JTSS3000-313	Flat Head Screw	M5x8	10
14	JTSS3000-314	Sliding Arm Cover		1
15	JTSS3000-315	Arm Arbor		1
16	TS-1524061	Socket Set Screw	M8x25	3
17	TS-1540061	Hex Nut	M8	5
18	JTSS3000-318	Eccentric Arbor		2
19	JTSS300-319	Nylon Set Screw	M12x12	4
20	JTSS3000-320	Brush		2
21	TS-1503041	Socket Head Cap Screw	M6x16	16
22	JTSS3000-322	Sliding Arm Cover-Front		1
23	TS-1540041	Hex Nut	M6	8
24	TS-2311101	Hex Nut	M10	2
25	JTSS1500-725	Support Arm		1
26	JTSS3000-326	Adjust Lever		2
27	TS-1550071	Flat Washer	M10	4
28	TS-1522031	Socket Set Screw	M5x10	5
29	TS-1503051	Socket Head Cap Screw	M6x20	5
30	JTSS3000-330	Stop Block		2
31	JTSS3000-331	Lock Board		1
32	JTSS3000-332	Socket Set Screw	M8x40	2
33	JTSS3000-333	Support Adjustment Block		2
34	TS-1503031	Socket Head Cap Screw	M6x12	6
35	JTSS3000-335	Angle Label		1
36	JTSS1500-736	Cross Cut Table		1
37	TS-1503061	Socket Head Cap Screw	M6x25	2
38	JTSS3000-338	Wave Washer		4
39	JTSS3000-339	Work Table Roller		1
40	JTSS1500-340	Scale		1
41	JTSS3000-341	Cross Cut Fence		1
42	JTSS3000-342	Connect Base		1
43	JTSS3000-343	Round Head Screw	M6x25	2
44	JTSS3000-344	Cover Plate		1
46	JTSS3000-346	JET Knob	M6x35	3
47	TS-1540041	Flat Washer	M6	3
48	JTSS3000-348	Set Nut		1
49	JTSS3000-349	Knob	M10x90	2

Cross Cut Table Assembly ---Option

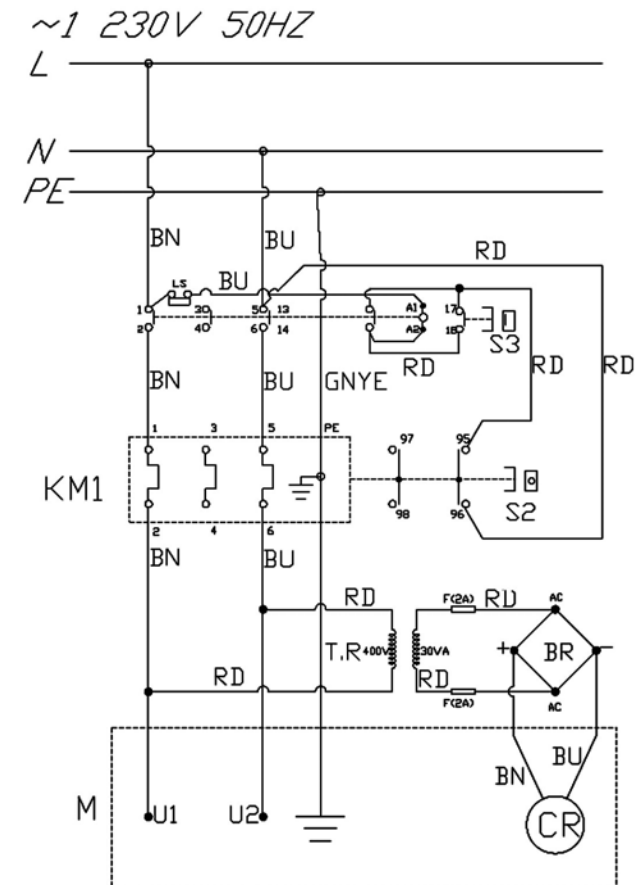
Index No.	Part No.	Description	Size	Qty.
50	JTSS3000-350	Fix Block		1
51	JTSS1500-351	Scale Tube		1
52	JTSS3000-352	Bushing		2
53	TS-1523011	Socket Set Screw	M6x6	2
54	JTSS3000-354	Fix Block		1
55	JTSS1500-355	Cross Cut Fence		1
	JTSS1500-355A	Telescope Cross Cut Profile Assembly (23, 40-48, 51, 55, 56, 60)		1
56	JTSS1500-542	End Plug For Cross Cut Fence		1
57	JTSS3000-357	Clamping Shaft		2
58	TS-1550061	Flat Washer	M8	2
59	TS-1540031	Lock Nut	M8	5
60	JTSS1500-360	Scale		1
61	JTSS3000-361	Clamping Bracket		2
62	TS-1550041	Flat Washer	M6	2
63	JTSS3000-363	Adjust Lever	M6x35	2
64	JTSS3000-364	Clamping Rubber Pad		4
65	JTSS3000-365	Clamping		2
66	TS-1524051	Socket Set Screw	M8X20	1
67	JTSS1500-772	Connect Base		1
68	TS-1490031	Hex Cap Bolt	M8x20	1
	JTSS3000-570	Crosscut Stop Assembly (47, 48, 57-59, 61-65)		1

**JTSS-1500
1000020M**

	colour of strands	Litzenfarben	couleur des cordons
BK	black	schwarz	noir
BU	blue	blau	bleu
BN	brown	braun	brun
RD	Red	rot	rouge
GNYE	green-yellow	grün-gelb	vert-jaune

	meaning of symbol	Bedeutung der Zeichen	interprétation
M	main motor	Hauptmotor	moteur principal
S1	emergency stop switch	Not-Aus Schalter	arrêt d'urgence
S2	off switch	Aus-Schalter	bouton arrêt
S3	start switch	Ein-Schalter	bouton marche
KM1	contactor for main motor	Hauptschütz	contacteur moteur
F	fuse	Sicherung	fusible
BR	Bridge rectifier	Brückengleichrichter	rectifier
TR	transformer	Transformator	transformateur
LS	limit switch	Positionsendschalter	micro

230/50/1



**JTSS-1500
1000020T**

	colour of strands	Litzenfarben	couleur des cordons
BK	black	schwarz	noir
BU	blue	blau	bleu
BN	brown	braun	brun
RD	Red	rot	rouge
GNYE	green-yellow	grün-gelb	vert-jaune

	meaning of symbol	Bedeutung der Zeichen	interprétation
M	main motor	Hauptmotor	moteur principal
S1	emergency stop switch	Not-Aus Schalter	arrêt d'urgence
S2	off switch	Aus-Schalter	bouton arrêt
S3	start switch	Ein-Schalter	bouton marche
KM1	contactor for main motor	Hauptschütz	contacteur moteur
F	fuse	Sicherung	fusible
BR	Bridge rectifier	Brückengleichrichter	rectifier
TR	transformer	Transformator	transformateur
LS	limit switch	Positionsendschalter	micro

400/50/3

