

JET

JTSS-1600

Panel Saw

10000044T ~400V 50Hz

PARTS LIST

JPW (TOOL) AG

Tämperlistrasse 5

CH-8117 Fällanden

Switzerland

Phone +41 44 806 47 48

Fax +41 44 806 47 58

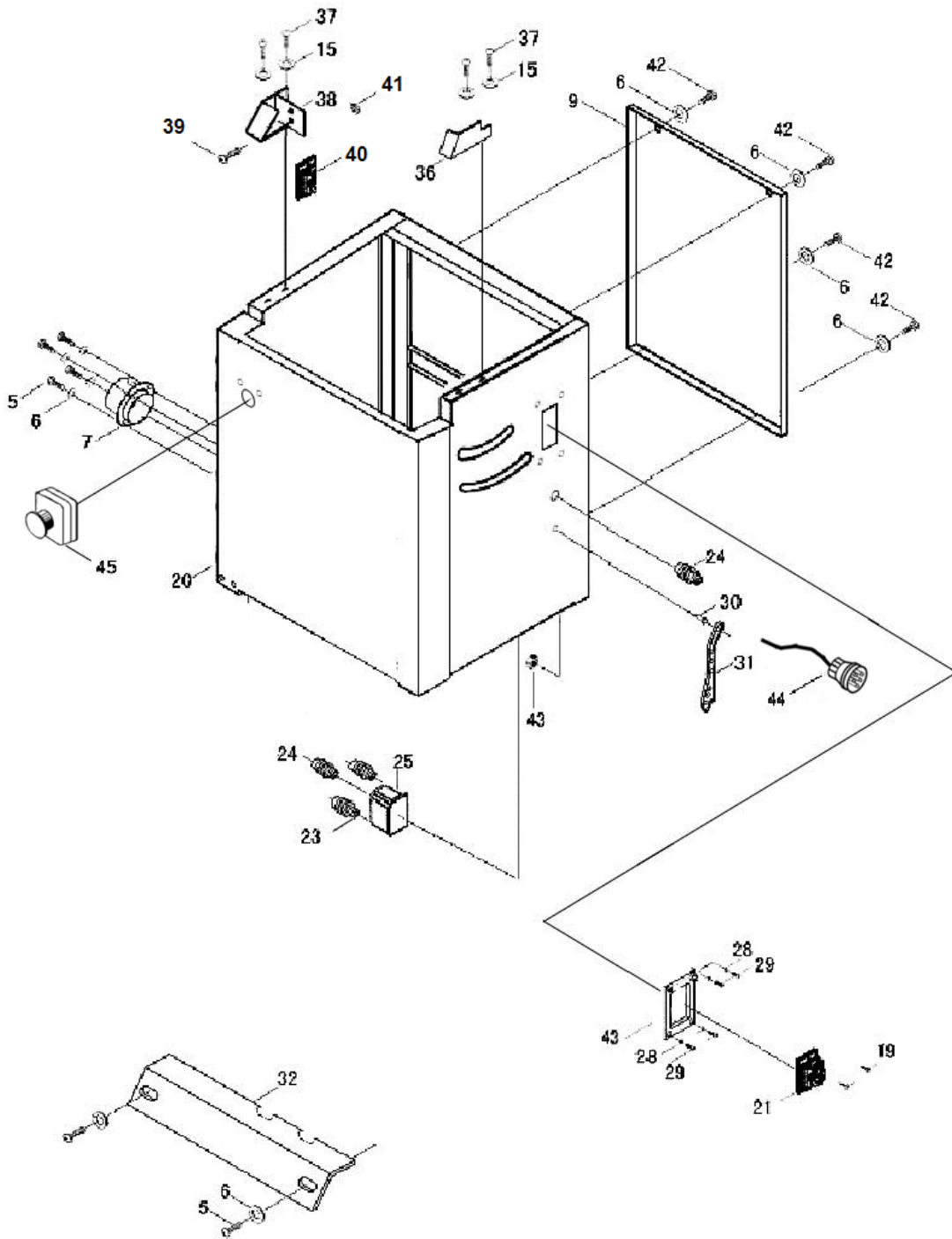


www.jettools.com

P-10000044T

2014-06

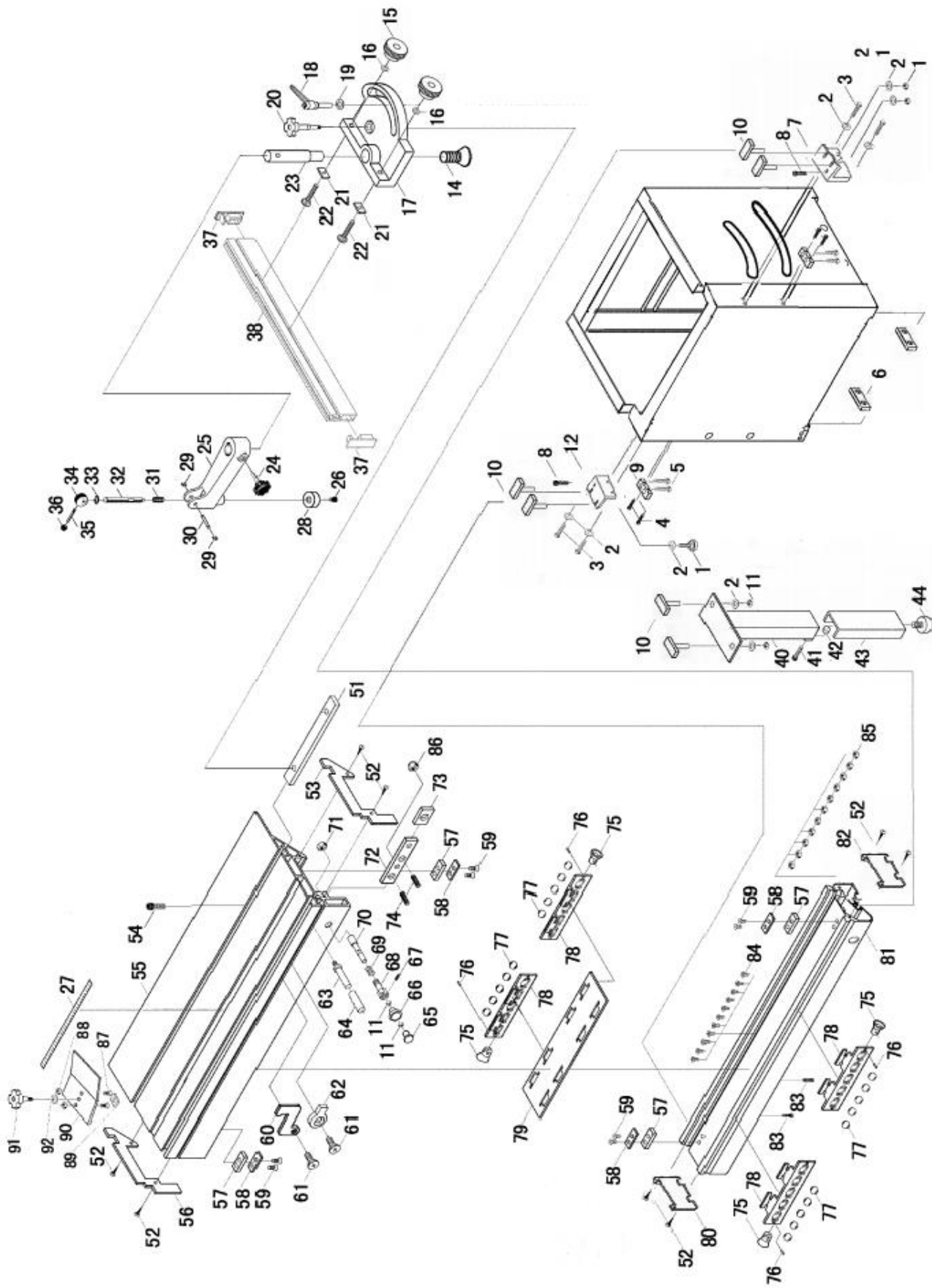
Parts Breakdown For JTSS-1600 Panel Saw -----Part A



Parts List For JTSS-1600 Panel Saw ----- Part A

| Index No. | Part No. | Description | Size | Qty. |
|-----------|--------------|-----------------------|----------|------|
| 5 | JTSS1600-A05 | Pan Head Screw | M6x12 | 6 |
| 6 | JTSS1600-A06 | Washer | 6mm | 10 |
| 7 | JTSS1600-A07 | Dust Port | | 1 |
| 9 | JTSS1600-A09 | Right Panel, Saw Base | | 1 |
| 15 | JTSS1600-A15 | Washer | 5mm | 8 |
| 19 | JTSS1600-A19 | Taping Screw | ST4.2x20 | 2 |
| 20 | JTSS1600-A20 | Saw Base Frame | | 1 |
| 21 | JTSS1600-A21 | Main Switch | | 1 |
| 23 | JTSS1600-A23 | Plastic Plate | | 1 |
| 24 | JTSS1600-A24 | Strain Relief | | 3 |
| 25 | JTSS1600-A25 | Switch Box | | 1 |
| 28 | JTSS1600-A28 | Washer 4mm | 4mm | 4 |
| 29 | JTSS1600-A29 | Pan Head Screw | M4x12 | 4 |
| 30 | JTSS1600-A30 | Old Screw, Push Stick | | 1 |
| 31 | JTSS1600-A31 | Push Stick | | 1 |
| 32 | JTSS1600-A32 | Internal Guard | | 1 |
| 36 | JTSS1600-A36 | Angle Bracket | | 1 |
| 37 | JTSS1600-A37 | Pan Head Screw | M4x10 | 4 |
| 38 | JTSS1600-A38 | Angle Bracket | | 1 |
| 39 | JTSS1600-A39 | Hex Head Screw | M4x50 | 2 |
| 40 | JTSS1600-A40 | Limit Switch | | 1 |
| 41 | JTSS1600-A41 | Hex Nut M4 | M4 | 2 |
| 42 | JTSS1600-A42 | Plate for Switch | | 1 |
| 43 | JTSS1600-A43 | Limit Switch | | 1 |
| 44 | JTSS1600-A44 | Plug | | 1 |
| 45 | JTSS1600-A45 | E-Stop Switch | | 1 |

Parts Breakdown For JTSS-1600 Panel Saw -----Part B



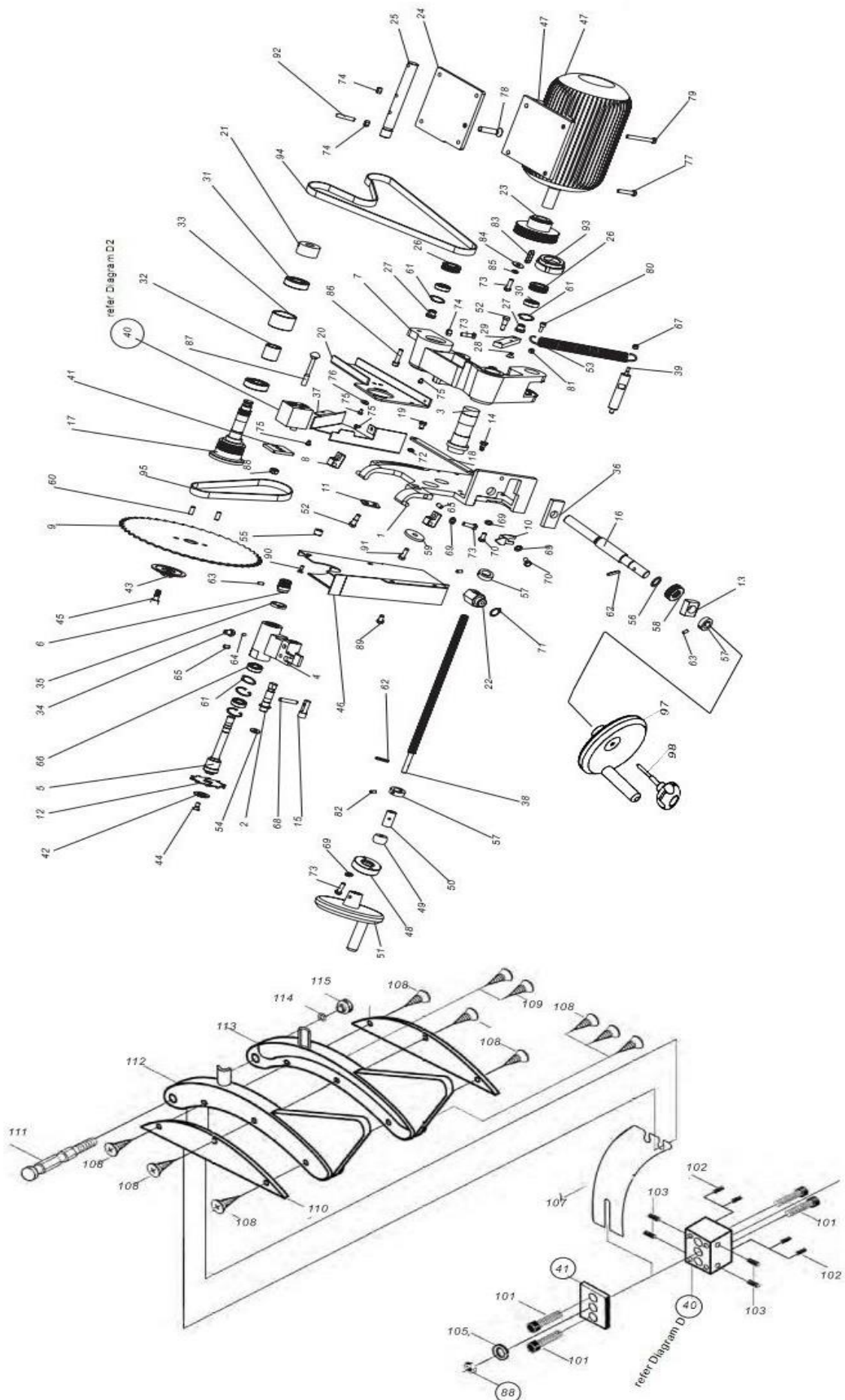
Parts List For JTSS-1600 Panel Saw ----- Part B

| Index No. | Part No. | Description | Size | Qty. |
|-----------|--------------|-----------------------------|----------|------|
| 1 | JTSS1600-B01 | Star - Type, Lock Handle | | 1 |
| 2 | JTSS1600-B02 | Flat Washer | 8mm | 10 |
| 3 | JTSS1600-B03 | Hex Screw | M8x25 | 4 |
| 4 | JTSS1600-B04 | Hex Screw | M8x40 | 4 |
| 5 | JTSS1600-B05 | Head Screw | | 4 |
| 6 | JTSS1600-B06 | T- Base, Adjust | | 2 |
| 7 | JTSS1600-B07 | Bracket, Sliding Carrier | | 1 |
| 8 | JTSS1600-B08 | Stop Screw | | 2 |
| 9 | JTSS1600-B09 | T- Base, Adjust | | 2 |
| 10 | JTSS1600-B10 | T- Nut, Sliding Carrier | | 4 |
| 11 | JTSS1600-B11 | Hex Nut M8 | M8 | 8 |
| 12 | JTSS1600-B12 | Bracket, Sliding Carrier | | 1 |
| 13 | JTSS1600-B13 | | | |
| 14 | JTSS1600-B14 | Sunk Head Screw | M8x25 | 1 |
| 15 | JTSS1600-B15 | Wing Nut | | 2 |
| 16 | JTSS1600-B16 | Washer | 6mm | 2 |
| 17 | JTSS1600-B17 | Mitre Gauge, Hold Down | | 1 |
| 18 | JTSS1600-B18 | Ratchet Lever | | 1 |
| 19 | JTSS1600-B19 | Flat Washer 10mm | 10mm | 1 |
| 20 | JTSS1600-B20 | Star - Type Lock Handle | | 1 |
| 21 | JTSS1600-B21 | T- Block | | 2 |
| 22 | JTSS1600-B22 | Carriage Bolt | M6x40 | 2 |
| 23 | JTSS1600-B23 | Stud, Hold Down | | 1 |
| 24 | JTSS1600-B24 | Star - Type Knob, Hold Down | | 1 |
| 25 | JTSS1600-B25 | Arm, Hold Down | | 1 |
| 26 | JTSS1600-B26 | Allen Screw | M5x16 | 1 |
| 27 | JTSS1600-B27 | Scale, Sliding Table | | 1 |
| 28 | JTSS1600-B28 | Disc, Hold Down | | 1 |
| 29 | JTSS1600-B29 | Circle Ring | 8mm | 2 |
| 30 | JTSS1600-B30 | Pin, Hold Down | | 1 |
| 31 | JTSS1600-B31 | Spring, Hold Down | | 1 |
| 32 | JTSS1600-B32 | Stud, Hold Down | | 1 |
| 33 | JTSS1600-B33 | Circle Ring | 12mm | 1 |
| 34 | JTSS1600-B34 | Eccentric, Hold Down | | 1 |
| 35 | JTSS1600-B35 | Handle, Hold Down | | 1 |
| 36 | JTSS1600-B36 | Handle Knob, Hold Down | | 1 |
| 37 | JTSS1600-B37 | End Cap, Fence | | 2 |
| 38 | JTSS1600-B38 | Fence, Mitre Gauge | | 1 |
| 40 | JTSS1600-B40 | Upper Support | | 1 |
| 41 | JTSS1600-B41 | Allen Screw | M8x25 | 1 |
| 42 | JTSS1600-B42 | Disc, Insert | | 1 |
| 43 | JTSS1600-B43 | Lower Support | | 1 |
| 44 | JTSS1600-B44 | Adjustable Disc | | 1 |
| 51 | JTSS1600-B51 | Scew Guide | | 1 |
| 52 | JTSS1600-B52 | Taping Screw | ST4.2x12 | 4 |
| 53 | JTSS1600-B53 | End Cap, Sliding Panel | | 1 |
| 54 | JTSS1600-B54 | Allen Screw | M5x8 | 1 |
| 55 | JTSS1600-B55 | Sliding Panel Set | | 1 |
| 56 | JTSS1600-B56 | End Cap, Sliding Panel | | 1 |
| 57 | JTSS1600-B57 | Stop Plate | | 2 |
| 58 | JTSS1600-B58 | Stop Plate | | 1 |
| 59 | JTSS1600-B59 | Sunk Head Screw | M6x18 | 4 |
| 60 | JTSS1600-B60 | "Z" Lock Plate | | 1 |
| 61 | JTSS1600-B61 | Sunk Head Screw | M6x20 | 4 |
| 62 | JTSS1600-B62 | Eccentric Cam | | 2 |

Parts List For JTSS-1600 Panel Saw ----- Part B

| Index No. | Part No. | Description | Size | Qty. |
|-----------|--------------|----------------------------|-------|------|
| 63 | JTSS1600-B63 | Push Handle | | 1 |
| 64 | JTSS1600-B64 | Bush, Push Handle | | 1 |
| 65 | JTSS1600-B65 | End Cap, Knob | | 1 |
| 66 | JTSS1600-B66 | Star - Type Knob, Lock Pin | | 1 |
| 67 | JTSS1600-B67 | Roll Pin | 3x18 | 1 |
| 68 | JTSS1600-B68 | Bush, Lock Pin | | 1 |
| 69 | JTSS1600-B69 | Spring, Lock Pin | | 1 |
| 70 | JTSS1600-B70 | Lock Pin | | 1 |
| 71 | JTSS1600-B71 | Hex Nut | M10 | 1 |
| 72 | JTSS1600-B72 | Lock Guide | | 1 |
| 73 | JTSS1600-B73 | T- Nut, Push Handle | | 1 |
| 74 | JTSS1600-B74 | Set Screw | M8x12 | 2 |
| 75 | JTSS1600-B75 | Insert, Ball Frame | | 4 |
| 76 | JTSS1600-B76 | Roll Pin 2x8 | 2x8 | 4 |
| 77 | JTSS1600-B77 | Ball | 1/2" | 20 |
| 78 | JTSS1600-B78 | Ball Frame | | 4 |
| 79 | JTSS1600-B79 | Ball Frame | | 1 |
| 80 | JTSS1600-B80 | End Cap, Sliding Rail | | 1 |
| 81 | JTSS1600-B81 | Sliding Table Rail | | 1 |
| 82 | JTSS1600-B82 | End Cap, Sliding Rail | | 1 |
| 83 | JTSS1600-B83 | Allen Screw | M6x10 | 2 |
| 84 | JTSS1600-B84 | Sunk Head Screw | M8x20 | 11 |
| 85 | JTSS1600-B85 | Lock Nut | M8 | 11 |
| 86 | JTSS1600-B86 | Lock Nut | M6 | 1 |
| 87 | JTSS1600-B87 | Thread Stud | | 2 |
| 88 | JTSS1600-B88 | Hex Nut | M8 | 2 |
| 89 | JTSS1600-B89 | T- Block | | 1 |
| 90 | JTSS1600-B90 | Edge Shoe | | 1 |
| 91 | JTSS1600-B91 | Startype Screw | M8x20 | 1 |
| 92 | JTSS1600-B92 | Washer | 8mm | 1 |

Parts Breakdown For JTSS-1600 Panel Saw -----Part C



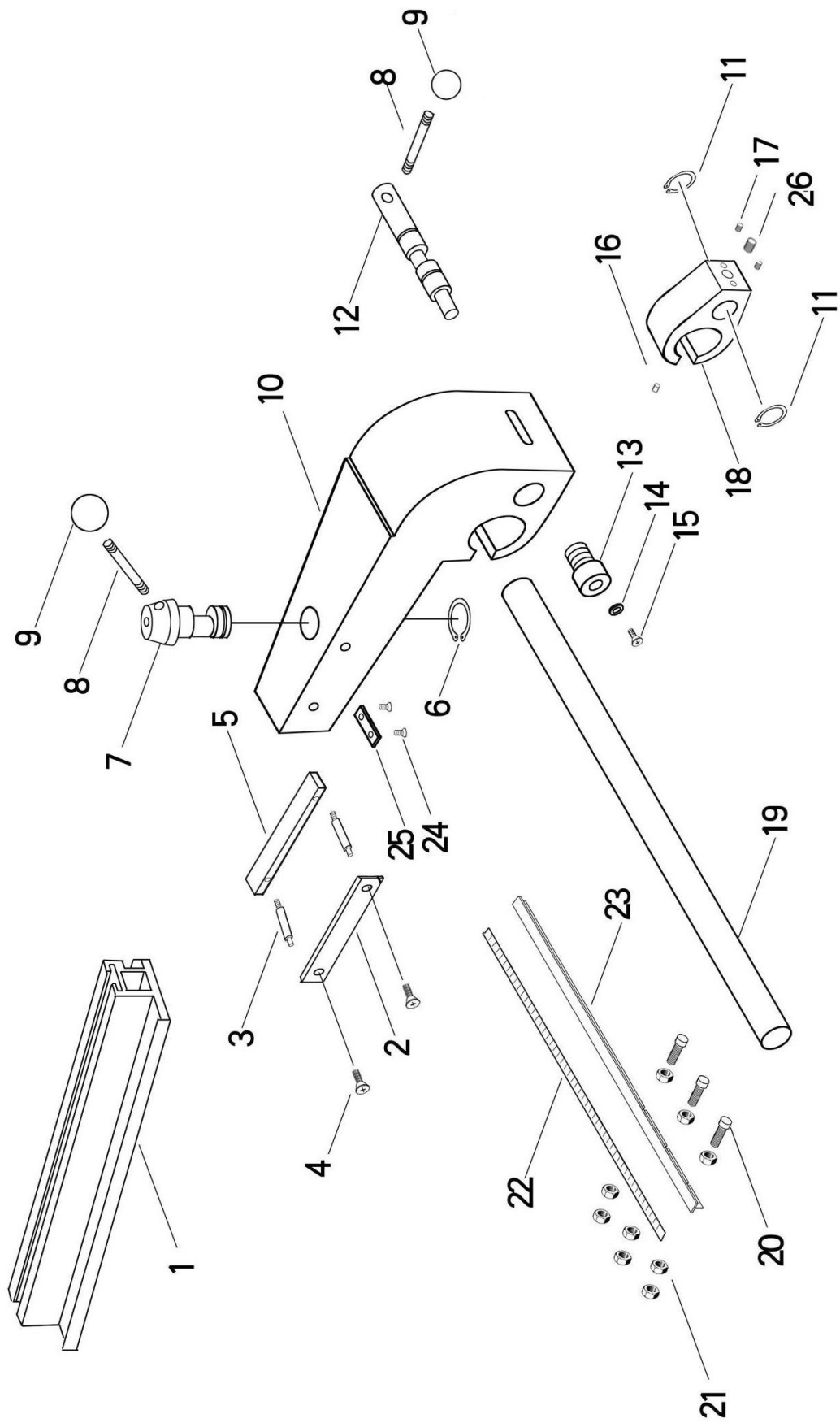
Parts List For JTSS-1600 Panel Saw ----- Part C

| Index No. | Part No. | Description | Size | Qty. |
|-----------|--------------|------------------------------|--------|------|
| 1 | JTSS1600-C01 | Frame - Blade | | 1 |
| 2 | JTSS1600-C02 | Shaft- Main Blade | | 1 |
| 3 | JTSS1600-C03 | Main Shaft | | 1 |
| 4 | JTSS1600-C04 | Shaft Housing- Scoring Blade | | 1 |
| 5 | JTSS1600-C05 | Shaft- Scoring Blade | | 1 |
| 6 | JTSS1600-C06 | Pulley - Scoring Blade | | 1 |
| 7 | JTSS1600-C07 | Gear House | | 1 |
| 8 | JTSS1600-C08 | Rotating Support | | 2 |
| 9 | JTSS1600-C09 | Main Blade | | 1 |
| 10 | JTSS1600-C10 | Pointer | | 1 |
| 11 | JTSS1600-C11 | Slide Piece | | 1 |
| 12 | JTSS1600-C12 | Scoring Blade | | 1 |
| 13 | JTSS1600-C13 | Bearing House | | 1 |
| 14 | JTSS1600-C14 | Shaft | | 1 |
| 15 | JTSS1600-C15 | Stop, Scoring Blade | | 1 |
| 16 | JTSS1600-C16 | Thread | | 1 |
| 17 | JTSS1600-C17 | Main Shaft | | 1 |
| 18 | JTSS1600-C18 | R Od | | 1 |
| 19 | JTSS1600-C19 | Shaft | | 1 |
| 20 | JTSS1600-C20 | Frame Segement | | 1 |
| 21 | JTSS1600-C21 | Pulley | | 1 |
| 22 | JTSS1600-C22 | Hex Nut | | 1 |
| 23 | JTSS1600-C23 | Pulley - Motor | | 1 |
| 24 | JTSS1600-C24 | Motor Base | | 1 |
| 25 | JTSS1600-C25 | Shaft | | 1 |
| 26 | JTSS1600-C26 | Pulley | | 2 |
| 27 | JTSS1600-C27 | Tension Shaft | | 1 |
| 28 | JTSS1600-C28 | Sunken Head Screw | M8x20 | 1 |
| 29 | JTSS1600-C29 | Tension Rod | | 1 |
| 30 | JTSS1600-C30 | Bearing | 6002 | 2 |
| 31 | JTSS1600-C31 | Bearing | 6205 | 2 |
| 32 | JTSS1600-C32 | Spacer | | 1 |
| 33 | JTSS1600-C33 | Spacer | | 1 |
| 34 | JTSS1600-C34 | Eccentric Shaft | | 1 |
| 35 | JTSS1600-C35 | Circle Nut | | 1 |
| 36 | JTSS1600-C36 | Nut | | 1 |
| 37 | JTSS1600-C37 | Belt Guard | | 1 |
| 38 | JTSS1600-C38 | Thread | | 1 |
| 39 | JTSS1600-C39 | Shaft, Spring | | 1 |
| 40 | JTSS1600-C40 | Insert | | 1 |
| 41 | JTSS1600-C41 | Segement | | 1 |
| 42 | JTSS1600-C42 | Flange, Scoring Blade | | 1 |
| 43 | JTSS1600-C43 | Flange | | 1 |
| 44 | JTSS1600-C44 | Set Screw | M8x16 | 1 |
| 45 | JTSS1600-C45 | Allen Screw | M10x25 | 1 |
| 46 | JTSS1600-C46 | Chip House | | 1 |
| 47 | JTSS1600-C47 | Motor A | | 1 |
| 48 | JTSS1600-C48 | Flange | | 1 |
| 49 | JTSS1600-C49 | Ball Bearing | | 1 |
| 50 | JTSS1600-C50 | Tube | | 1 |
| 51 | JTSS1600-C51 | Wheel Handle | | 1 |
| 52 | JTSS1600-C52 | Thread | | 1 |
| 53 | JTSS1600-C53 | Spring | | 1 |
| 54 | JTSS1600-C54 | Washer | | 1 |
| 55 | JTSS1600-C55 | Spacer | | 1 |
| 56 | JTSS1600-C56 | Spacer | | 1 |

Parts List For JTSS-1600 Panel Saw ----- Part C

| Index No. | Part No. | Description | Size | Qty. |
|-----------|---------------|-----------------------|----------|------|
| 57 | JTSS1600-C57 | Circle Ring | | 1 |
| 58 | JTSS1600-C58 | Thrust Bearing | | 1 |
| 59 | JTSS1600-C59 | Washer | | 1 |
| 60 | JTSS1600-C60 | Pin | | 2 |
| 61 | JTSS1600-C61 | Circle Ring | 326 | 5 |
| 62 | JTSS1600-C62 | Roll Pin | 5x28 | 1 |
| 63 | JTSS1600-C63 | Set Screw | M6x8 | 1 |
| 64 | JTSS1600-C64 | Roll Pin | A6x8 | 1 |
| 65 | JTSS1600-C65 | Set Screw | M8x12 | 1 |
| 66 | JTSS1600-C66 | Bearing | 6002 | 2 |
| 67 | JTSS1600-C67 | Lock Nut | M6 | 1 |
| 68 | JTSS1600-C68 | Set Screw | M8x12 | 1 |
| 69 | JTSS1600-C69 | Washer | 8mm | 1 |
| 70 | JTSS1600-C70 | Hex Head Screw | M8x12 | 1 |
| 71 | JTSS1600-C71 | Circle Ring | A20 | 1 |
| 72 | JTSS1600-C72 | Circle Ring | | 1 |
| 73 | JTSS1600-C73 | Hex Head Screw | M6x12 | 1 |
| 74 | JTSS1600-C74 | Hex Nut | M8 | 4 |
| 75 | JTSS1600-C75 | Pan Head Screw | M6x12 | 1 |
| 76 | JTSS1600-C76 | Flat Washer | 6mm | 1 |
| 77 | JTSS1600-C77 | Hex Head Screw | M8x35 | 1 |
| 78 | JTSS1600-C78 | Sunken Head Screw | M8x40 | 1 |
| 79 | JTSS1600-C79 | Hex Head Screw | M6x20 | |
| 80 | JTSS1600-C80 | Allen Screw | M6x20 | 1 |
| 81 | JTSS1600-C81 | Hex Nut | M6 | 1 |
| 82 | JTSS1600-C82 | Set Screw | M8x8 | 1 |
| 83 | JTSS1600-C83 | Flat Hey | 18x35 | 1 |
| 84 | JTSS1600-C84 | Flat Washer | 8mmm | 1 |
| 85 | JTSS1600-C85 | Spring Washer | 8mm | 1 |
| 86 | JTSS1600-C86 | Allen Screw | M8x30 | 1 |
| 87 | JTSS1600-C87 | Carriage Bolt | M10x80C | 1 |
| 88 | JTSS1600-C88 | Hex Nut | M10 | 1 |
| 89 | JTSS1600-C89 | Hex Head Screw | M8x16 | 1 |
| 90 | JTSS1600-C90 | Sunken Head Screw | M10x25 | 1 |
| 91 | JTSS1600-C91 | Hex Head Screw | M10x25 | 1 |
| 92 | JTSS1600-C92 | Set Screw | M8x16 | 1 |
| 93 | JTSS1600-C93 | Nut | M35x1 | 1 |
| 94 | JTSS1600-C94 | Multi"V"Belt | 660 | 1 |
| 95 | JTSS1600-C95 | Multi"V"Belt | 560 | 1 |
| 97 | JTSS1600-C97 | Handle | | 1 |
| 98 | JTSS1600-C98 | Set Handle | | 1 |
| 101 | JTSS1600-C101 | Stop Screw | | 4 |
| 102 | JTSS1600-C102 | Set Screw | M8x20 | 4 |
| 103 | JTSS1600-C103 | Set Screw | M8x20 | 4 |
| 105 | JTSS1600-C105 | Spring Washer | 10mm | 1 |
| 107 | JTSS1600-C107 | Riving Knife | | 1 |
| 108 | JTSS1600-C108 | Taping Screw | ST4.2x10 | 3 |
| 109 | JTSS1600-C109 | Taping Screw | ST4.2x26 | 2 |
| 110 | JTSS1600-C110 | Segement, Blade Guard | | 1 |
| 111 | JTSS1600-C111 | Lock Bolt, Guard | | 1 |
| 112 | JTSS1600-C112 | Half, Blade Guard | | 1 |
| 113 | JTSS1600-C113 | Half, Blade Guard | | 1 |
| 114 | JTSS1600-C114 | Lock Washer 8mm | 8mm | 1 |
| 115 | JTSS1600-C115 | Knuried Nut | | 1 |

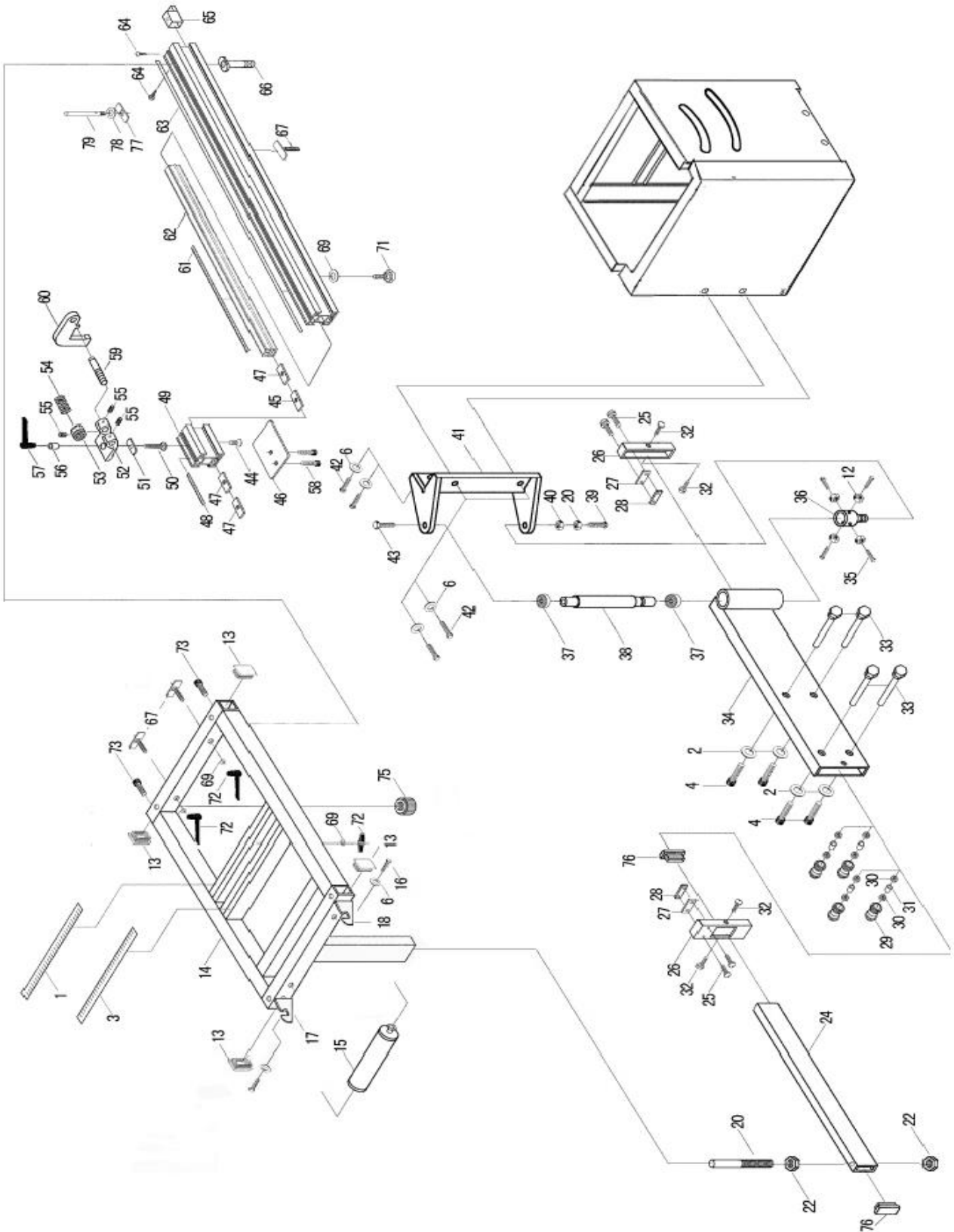
Parts Breakdown For JTSS-1600 Panel Saw -----Part D



Parts List For JTSS-1600 Panel Saw ----- Part D

| Index No. | Part No. | Description | Size | Qty. |
|-----------|--------------|-------------------------------|--------|------|
| 1 | JTSS1600-D01 | L Type Aluminum Baffle | | 1 |
| 2 | JTSS1600-D02 | Locking Plate | | 1 |
| 3 | JTSS1600-D03 | The Positioning Shaft | | 2 |
| 4 | JTSS1600-D04 | Countersunk Head Screw | M5x16 | 4 |
| 5 | JTSS1600-D05 | Connecting Plate | | 1 |
| 6 | JTSS1600-D06 | Retaining Rings For Shafts | 20 | 1 |
| 7 | JTSS1600-D07 | L Type Aluminum Locking Shaft | | 1 |
| 8 | JTSS1600-D08 | Handle | | 2 |
| 9 | JTSS1600-D09 | Handball | | 2 |
| 10 | JTSS1600-D10 | Slide Block | | 1 |
| 11 | JTSS1600-D11 | Retaining Rings For Shafts | 20 | 2 |
| 12 | JTSS1600-D12 | Slide Block Shaft | | 1 |
| 13 | JTSS1600-D13 | Thread Bushing | | 1 |
| 14 | JTSS1600-D14 | Washer | 5mm | 1 |
| 15 | JTSS1600-D15 | Countersunk Head Screw | M5x16 | 1 |
| 16 | JTSS1600-D16 | The Locking Block Mandrel | | 1 |
| 17 | JTSS1600-D17 | Inner Six Angle Locking | | 2 |
| 18 | JTSS1600-D18 | Locking Block | | 1 |
| 19 | JTSS1600-D19 | Side Guide | | 1 |
| 20 | JTSS1600-D20 | Screw | | 5 |
| 21 | JTSS1600-D21 | Nut | | 15 |
| 22 | JTSS1600-D22 | Track Scale | | 1 |
| 23 | JTSS1600-D23 | The Scale Fixing Plate | | 1 |
| 24 | JTSS1600-D24 | Countersunk Head Screw | M5x10 | 2 |
| 25 | JTSS1600-D25 | The Bottom Baffle | | 1 |
| 26 | JTSS1600-D26 | Set Screw | M12x10 | 1 |

Parts Breakdown For JTSS-1600 Panel Saw -----Part E



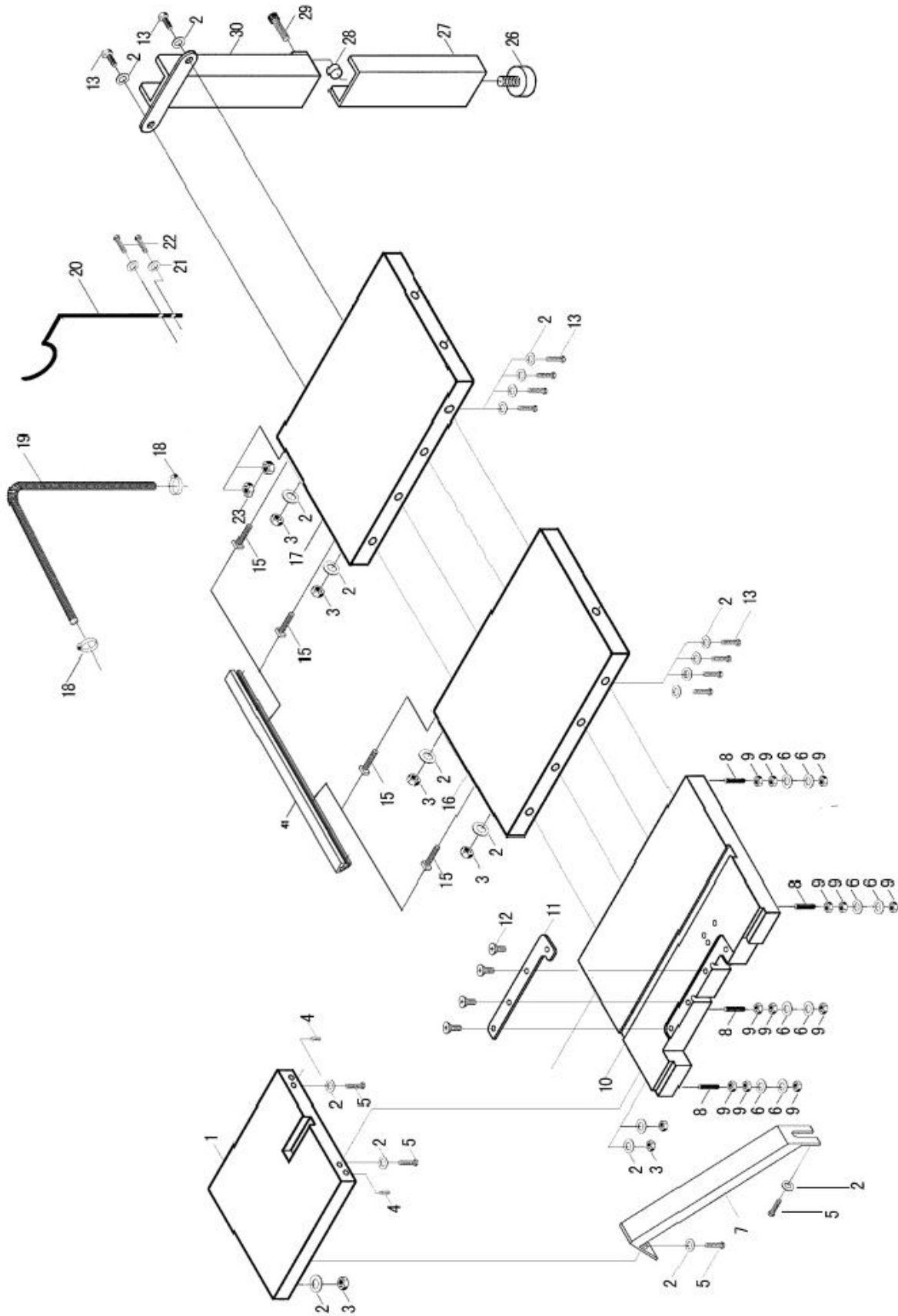
Parts List For JTSS-1600 Panel Saw ----- Part E

| Index No. | Part No. | Description | Size | Qty. |
|-----------|--------------|------------------------------|--------|------|
| 1 | JTSS1600-E01 | Scale, Cross Cut Table | | 1 |
| 2 | JTSS1600-E02 | Washer | 6mm | 4 |
| 3 | JTSS1600-E03 | Scale, Cross Cut Table | | 1 |
| 4 | JTSS1600-E04 | Allen Screw | M6x12 | 4 |
| 5 | JTSS1600-E05 | Eccentric Cam | 80106 | |
| 6 | JTSS1600-E06 | Washer | 8mm | 6 |
| 7 | JTSS1600-E07 | Sunk Head Screw | M6x10 | |
| 8 | JTSS1600-E08 | "Z" Lock Plate | | |
| 9 | JTSS1600-E09 | "Z" Lock Plate | | |
| 10 | JTSS1600-E10 | Hex Screw | M8x20 | |
| 11 | JTSS1600-E11 | Lock Nut | M6 | |
| 12 | JTSS1600-E12 | Hex Nut | M6 | |
| 13 | JTSS1600-E13 | End Cap, Cross Cut Table | | |
| 14 | JTSS1600-E14 | Cross Cut Table | | |
| 15 | JTSS1600-E15 | Roller | | |
| 16 | JTSS1600-E16 | Hex Screw | M8x12 | |
| 17 | JTSS1600-E17 | Bracket, Roller | | |
| 18 | JTSS1600-E18 | Bracket, Roller | | |
| 20 | JTSS1600-E20 | Support Rod, Cross Cut Table | | 1 |
| 22 | JTSS1600-E22 | Thin Hex Nut | M10 | 2 |
| 24 | JTSS1600-E24 | Swing Arm, Extension | | 1 |
| 25 | JTSS1600-E25 | Pan Head Screw | M5x12 | 4 |
| 26 | JTSS1600-E26 | Insert, Swing Arm | | 2 |
| 27 | JTSS1600-E27 | Woolen Sheet | | 2 |
| 28 | JTSS1600-E28 | Block | | 2 |
| 29 | JTSS1600-E29 | Roll | | 4 |
| 30 | JTSS1600-E30 | Bearing | 6101 | 8 |
| 31 | JTSS1600-E31 | Spacer, Roll | | 4 |
| 32 | JTSS1600-E32 | Pan Head Screw | M5x6 | 4 |
| 33 | JTSS1600-E33 | Eccentric Shaft | | 4 |
| 34 | JTSS1600-E34 | Swing Arm | | 1 |
| 35 | JTSS1600-E35 | Hex Screw | M6x35 | 4 |
| 36 | JTSS1600-E36 | Stop Collar | | 1 |
| 37 | JTSS1600-E37 | Bearing | 6202 | 2 |
| 38 | JTSS1600-E38 | Shaft, Swing Arm | | 1 |
| 39 | JTSS1600-E39 | Hex Screw | M8x50 | 1 |
| 40 | JTSS1600-E40 | Thin Nut | M16 | 1 |
| 41 | JTSS1600-E41 | Support, Swing Arm | | 1 |
| 42 | JTSS1600-E42 | Hex Screw | M8x30 | 4 |
| 43 | JTSS1600-E43 | Hex Screw | M10x25 | 1 |
| 44 | JTSS1600-E44 | Sunk Head Screw | M6x12 | 1 |
| 45 | JTSS1600-E45 | T- Nut, Extension Fence | | 1 |
| 46 | JTSS1600-E46 | Lock Plate | | 1 |
| 47 | JTSS1600-E47 | T- Block | | 1 |
| 48 | JTSS1600-E48 | Scale | | 1 |
| 49 | JTSS1600-E49 | End, Extension Fence | | 1 |
| 50 | JTSS1600-E50 | Carriage Bolt | M6x38 | 1 |
| 51 | JTSS1600-E51 | Screw Guide | | 1 |
| 52 | JTSS1600-E52 | Flip Stop Base | | 1 |
| 53 | JTSS1600-E53 | Knurled Knob | | 1 |
| 54 | JTSS1600-E54 | Spring, Flip Stop | | 1 |
| 55 | JTSS1600-E55 | Set Screw | | 2 |
| 56 | JTSS1600-E56 | Spacer , Ratchet Lever | | 1 |
| 57 | JTSS1600-E57 | Ratchet Lever, Flip Stop | | 1 |
| 58 | JTSS1600-E58 | Allen Screw M8x20 | M8x20 | 2 |

Parts List For JTSS-1600 Panel Saw ----- Part E

| Index No. | Part No. | Description | Size | Qty. |
|-----------|--------------|----------------------------|----------|------|
| 59 | JTSS1600-E59 | Stud, Flip Stop | | 1 |
| 60 | JTSS1600-E60 | Flip Stop | | 1 |
| 61 | JTSS1600-E61 | Scale, Extension Fence | | 1 |
| 62 | JTSS1600-E62 | Extension Fence | | 1 |
| 63 | JTSS1600-E63 | Scale, Cross Cut Fence | | 1 |
| 64 | JTSS1600-E64 | Taping Screw | ST4.2x12 | 1 |
| 65 | JTSS1600-E65 | End Cap, Cross Cut Fence | | 1 |
| 66 | JTSS1600-E66 | Lock Stud, Cross Cut Fence | | 1 |
| 67 | JTSS1600-E67 | T- Block | | 3 |
| 69 | JTSS1600-E69 | Flat Washer | | 2 |
| 70 | JTSS1600-E70 | Spacer, Lock Handle | | |
| 71 | JTSS1600-E71 | Star - Type Lock Handle | | 1 |
| 72 | JTSS1600-E72 | Wing Nut | M8 | 3 |
| 73 | JTSS1600-E73 | Stud, Cross Cut Table | | 2 |
| 74 | JTSS1600-E74 | T- Block | | |
| 75 | JTSS1600-E75 | Knurled Knob, Fence | | |
| 76 | JTSS1600-E76 | End Cap, Swing Arm | | 2 |
| 77 | JTSS1600-E77 | T- Block, Hold Down | | 1 |
| 78 | JTSS1600-E78 | Washer | 12mm | 1 |
| 79 | JTSS1600-E79 | Stud, Hold Down | | 1 |

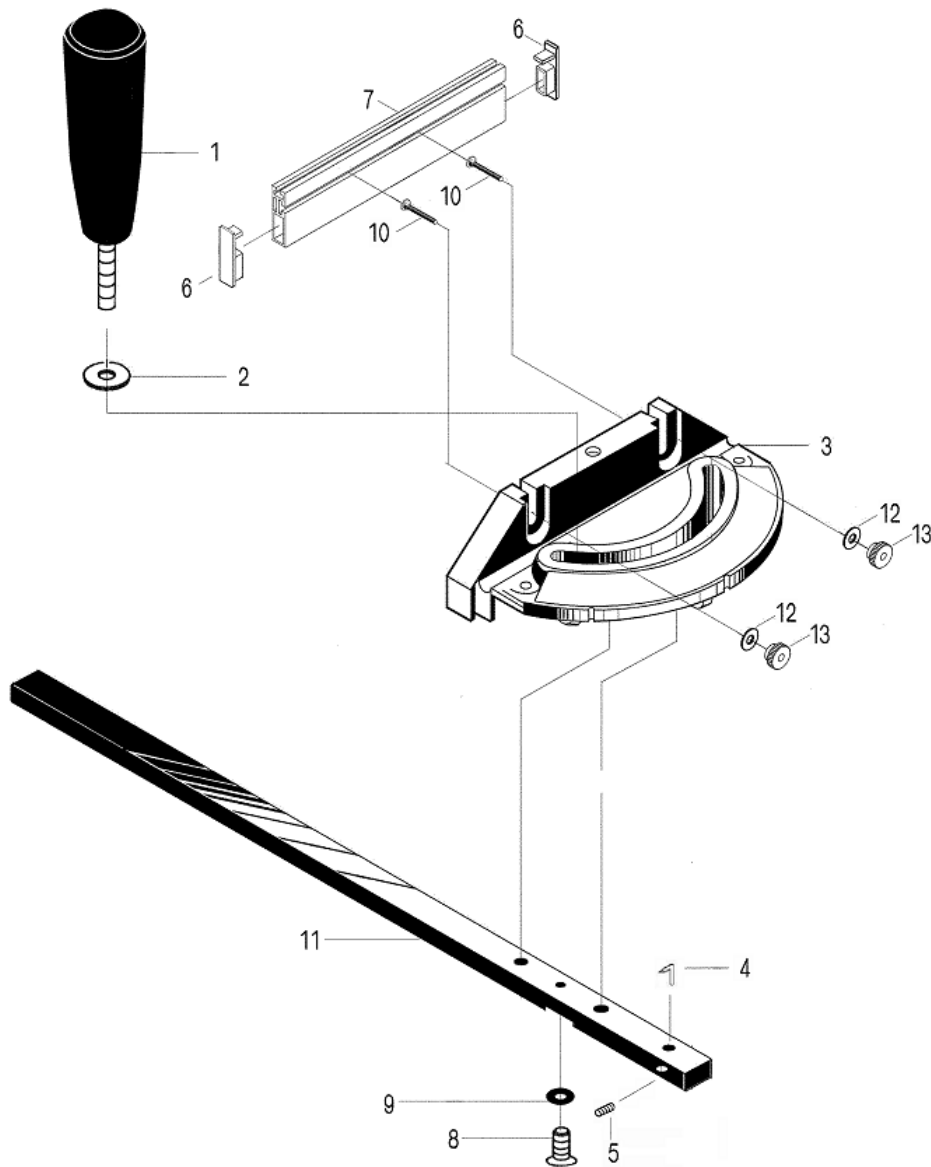
Parts Breakdown For JTSS-1600 Panel Saw -----Part G



Parts List For JTSS-1600 Panel Saw ----- Part G

| Index No. | Part No. | Description | Size | Qty. |
|------------------|-----------------|----------------------------|-------------|-------------|
| 1 | JTSS1600-G01 | Rear Extension Table | | 1 |
| 2 | JTSS1600-G02 | Washer | 8mm | 15 |
| 3 | JTSS1600-G03 | Hex Nut | M8 | 7 |
| 4 | JTSS1600-G04 | Set Screw | M6x12 | 2 |
| 5 | JTSS1600-G05 | Hex Screw | M8x16 | 4 |
| 6 | JTSS1600-G06 | Flat Washer | 10mm | 8 |
| 7 | JTSS1600-G07 | Rea Table Support | | 1 |
| 8 | JTSS1600-G08 | Set Screw | M10x70 | 4 |
| 9 | JTSS1600-G09 | Hex Nut | M10 | 12 |
| 10 | JTSS1600-G10 | Major Table | | 1 |
| 11 | JTSS1600-G11 | Table Insert | | 1 |
| 12 | JTSS1600-G12 | Sunk Head Screw | M5x10 | 4 |
| 13 | JTSS1600-G13 | Hex Screw | M8x20 | 10 |
| 14 | JTSS1600-G14 | Front Rail | | |
| 15 | JTSS1600-G15 | Square Head Screw | M8x25 | 4 |
| 16 | JTSS1600-G16 | Extension Table | | 1 |
| 17 | JTSS1600-G17 | Steel Extension Table | | 1 |
| 18 | JTSS1600-G18 | Hose Clamp | 30mm | 2 |
| 19 | JTSS1600-G19 | Dust Hose 30mm Dia.X3240mm | | 1 |
| 20 | JTSS1600-G20 | Dust Hose Support | | 1 |
| 21 | JTSS1600-G21 | Washer | 6mm | 2 |
| 22 | JTSS1600-G22 | Hex Screw | M6x20 | 2 |
| 23 | JTSS1600-G23 | Hex Nut | M6 | 2 |
| 26 | JTSS1600-G26 | Adjustable Disc | M12x30 | 1 |
| 27 | JTSS1600-G27 | Lower, Support | | 1 |
| 28 | JTSS1600-G28 | Disc Insert | | 1 |
| 29 | JTSS1600-G29 | Allen Screw | M8x25 | 1 |
| 30 | JTSS1600-G30 | Upper, Support | | 1 |
| 31 | JTSS1600-G31 | Taping Screw | ST4.2x12 | 1 |
| 32 | JTSS1600-G32 | Washer | 4mm | 1 |
| 33 | JTSS1600-G33 | Right End Cap, Front Rail | | 1 |
| 34 | JTSS1600-G34 | T- Nut | M5 | 1 |
| 35 | JTSS1600-G35 | Rack, Fence | | 1 |
| 37 | JTSS1600-G37 | Lock Washer | 5mm | 1 |
| 38 | JTSS1600-G38 | Pan Head Screw | M5x8 | 1 |
| 39 | JTSS1600-G39 | Left End Cap, Front Rail | | 1 |
| 40 | JTSS1600-G40 | Scal E, Rail | | 1 |
| 41 | JTSS1600-G41 | Rear Rail | | 1 |

Parts Breakdown For JTSS-1600 Panel Saw -----Part H



Parts List For JTSS-1600 Panel Saw ----- Part H

| Index No. | Part No. | Description | Size | Qty. |
|-----------|--------------|----------------------|-------|------|
| 1 | JTSS1600-H01 | Mitre Gauge Knob | | 1 |
| 2 | JTSS1600-H02 | Washer | 6mm | 1 |
| 3 | JTSS1600-H03 | Mitre Gauge Base | | 1 |
| 4 | JTSS1600-H04 | Indicator | | 1 |
| 5 | JTSS1600-H05 | Screw | | 1 |
| 6 | JTSS1600-H06 | End Cap, Gauge Fence | | 2 |
| 7 | JTSS1600-H07 | Gauge Fence | | 1 |
| 8 | JTSS1600-H08 | Sunk Head Screw | M5x8 | 1 |
| 9 | JTSS1600-H09 | Roller, Gauge | | 1 |
| 10 | JTSS1600-H10 | Carriage Bolt | M6x32 | 2 |
| 11 | JTSS1600-H11 | Mitre Gauge Rod | | 1 |
| 12 | JTSS1600-H12 | Washer | 6mm | 2 |
| 13 | JTSS1600-H13 | Knurled Nut | | 2 |

Wiring Diagram for JTSS-1600 Panel Saw

10000044T..... ~ 400V, 50Hz

3~400V, 50Hz

