

# **JET**

**JTSS-2500**

**PANEL SAW**

**10000046T....400/50/3**

**10000046M....230/50/1**

## **PARTS LIST**

**Walter Meier (Fertigung) AG**

Bahnstrasse 24

8603 Schwerzenbach

Switzerland

Phone +41 44 806 47 48

Fax +41 44 806 47 58

[jetinfo.eu@waltermeier.com](mailto:jetinfo.eu@waltermeier.com)

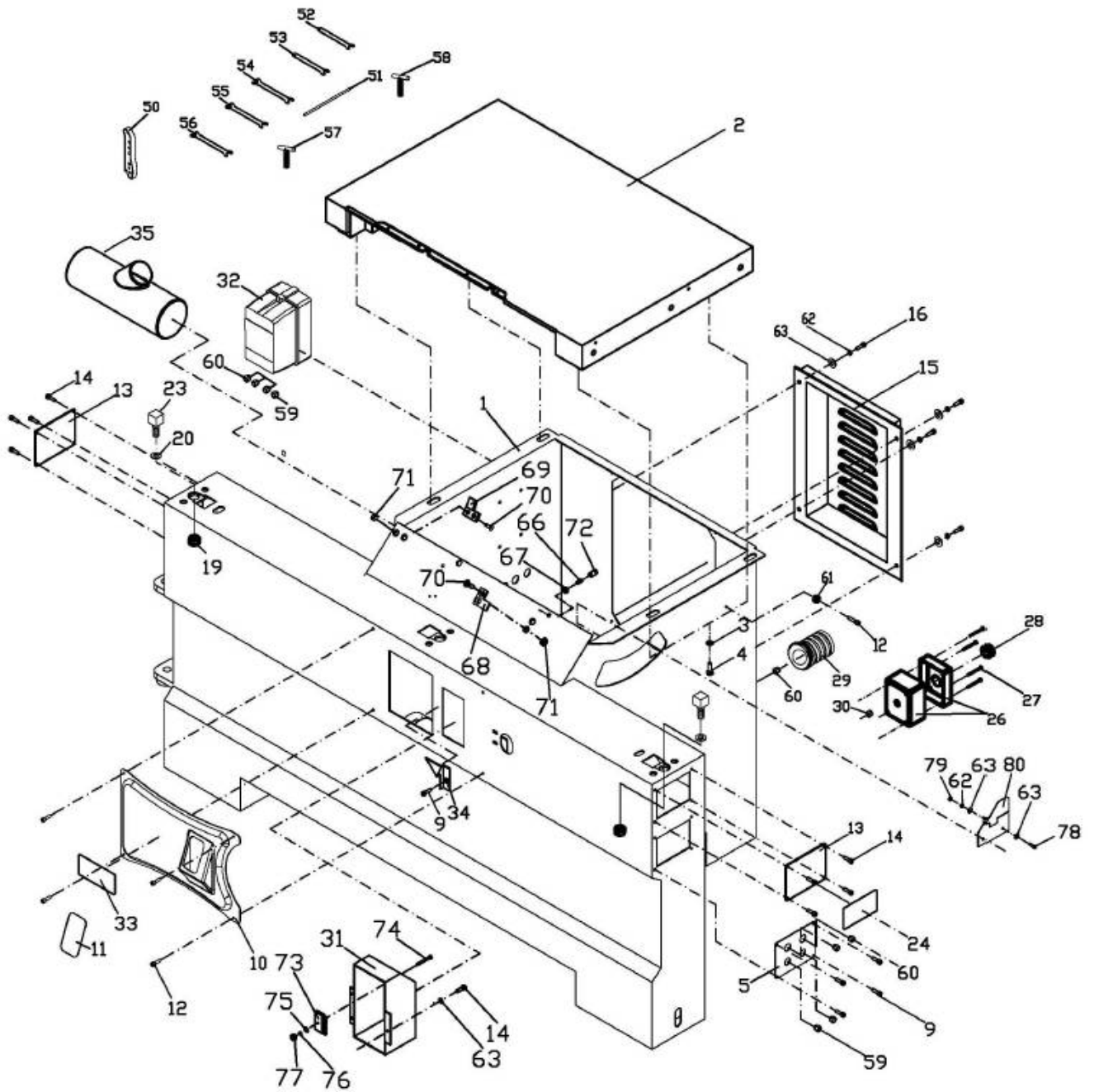
[www.jettools.com](http://www.jettools.com)



P-10000046T/10000046M

2010/03/03

## Parts List for The JTSS-2500 Panel Saw Cabinet and Table assembly

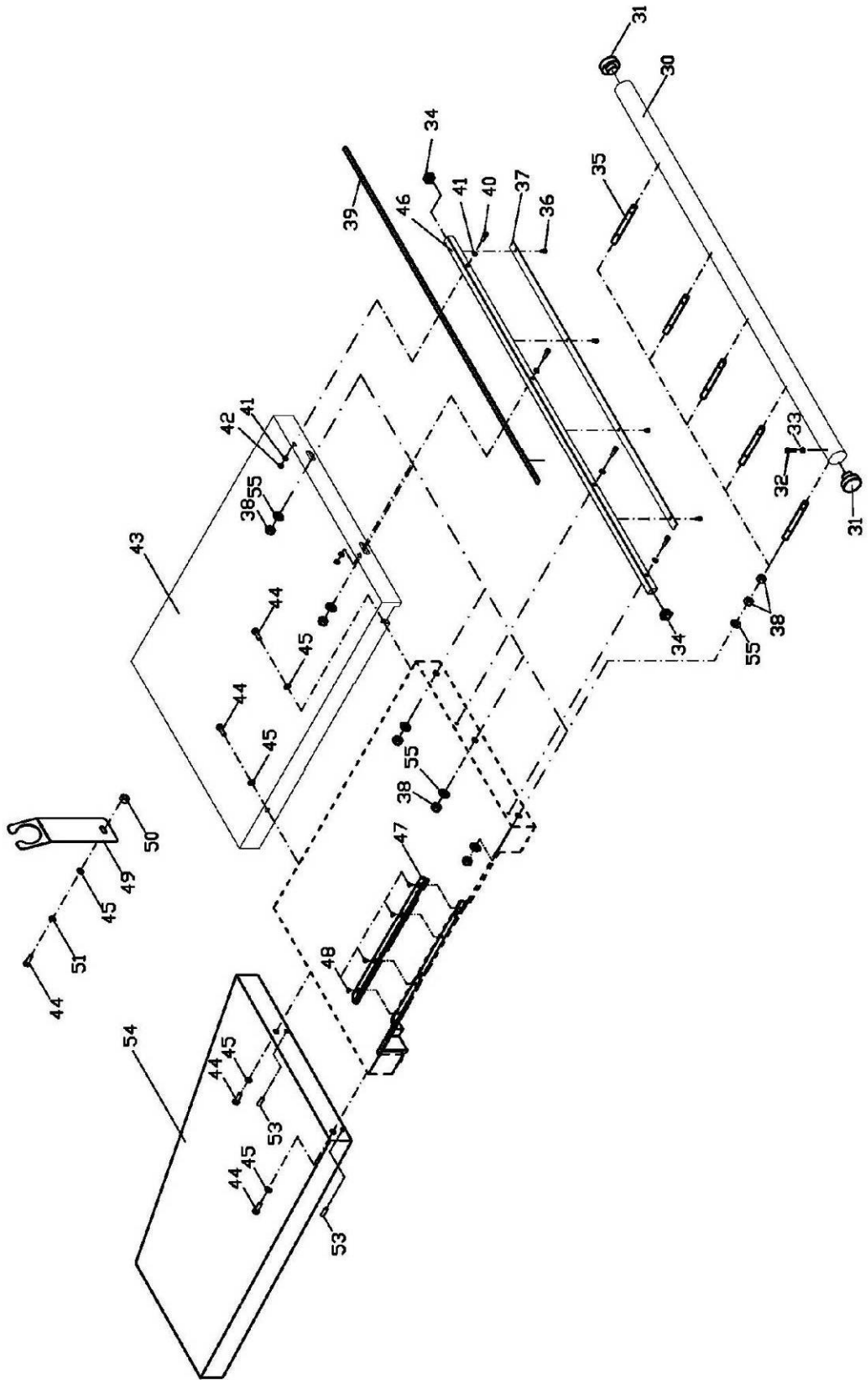


## Table and Cabinet Assembly

Index No.	Part No.	Description	Size	Qty.
1	JTSS2500-101	Cabinet		1
2	JTSS1500-111	Main Table		1
3	TS-1550061	Flat Washer	M8	13
4	TS-1490041	Hex Cap Bolt	M8x25	4
5	JTSS2200-105	Switch Plate		1
9	TS-1503041	Socket Head Cap Screw	M6x16	11
10	JTSS1500-102	Cabinet Cover		1
11	JTSS2500-111	Scale Plate		1
12	TS-1503041	Socket Head Cap Screw	M6x16	10
13	JTSS3000-113	Adjustment Bolt Cover		2
14	TS-1503031	Socket Head Cap Screw	M6x12	8
15	JTSS3000-115	Motor Cover		1
16	JTSS3000-116	Socket Head Cap Screw		4
19	TS-1540081	Hex Nut	M12	18
20	TS-2360121	Flat Washer	M12	10
23	JTSS3000-123	Positioning Screw		2
24	JTSS3000-124	Up Down Label		1
26	JTSS3000-126	Switch Box		1
27	JTSS2200-127	Self Tapping Screw	M4x16	4
28	JTSS3000-128	Emergency Stop Switch		1
29	JTSS3000-129	Power Plug	3Ph	1
30	JTSS3000-130	Clamp		1
31	JTSS3000-131	Scale Dust Cover		1
32	JTSS3000-132	Motor break Control box assembly		1
	JTSS3000-132TRE	Transformer for Break 230V, 400V, 24V, 30VA (not shown)		1
	JTSS3000-132BRE	Bridge rectifier for Break (not shown)		1
	JTSS3000-132FUE	Fuse 2A for Break (not shown)		2
33	JTSS3000-133	Blade Angle Label		1
34	JTSS1500-144	Pointer		1
35	JTSS3000-135	Dust Chute		1
50	JTSS1500-150	Push Stick		1
51	JTSS1500-151	Arbor index pin	ø 8mm	1
52	JTSS1500-152	Open end wrench	13mm	1
53	JTSS1500-153	Open end wrench	19mm	1
54	JTSS1500-154	Open end wrench	10-12mm	1
55	JTSS1500-155	Open end wrench	14-17mm	1
56	JTSS1500-156	Open end wrench	22-24mm	1
57	JTSS1500-157	T-style allen wrench	4mm	1
58	JTSS1500-158	T-style allen wrench	4mm	1
59	JTSS2200-159	Strain Relive	PG11	3
60	JTSS2200-160	Strain Relive	PG13.5	7
61	TS-1540041	Hex Nut	M6	1
62	TS-2361061	Lock Washer	M6	4
63	TS-1550041	Flat Washer	M6	4
66	TS-1524051	Socket Set Screw	M8x20	1
67	TS-2311081	Hex. Nut	M8	1
68	JTSS3200-159	Stopping Bracket		1
69	JTSS3200-160	Bend Stopping Bracket		1
70	TS-1514021	Socket Head Flat Screw	M6x16	4
71	TS-1541021	Nylon Nut	M6	4
72	JTSS3200-165	Stop Block		1

<b>Index No.</b>	<b>Part No.</b>	<b>Description</b>	<b>Size</b>	<b>Qty.</b>
73	JTSS3200-166	Brush		1
74	TS-1533062	Pan Head Screw	M5x20	1
75	TS-1550031	Flat Washer	M5	1
76	TS-2361051	Lock Washer	M5	1
77	TS-1540031	Hex Nut	M5	1
78	TS-1503051	Socket Head Cap Screw	M6x20	2
79	TS-1541021	Nylon Nut	M6	2
80	JTSS2500-180	Safety Guard		1

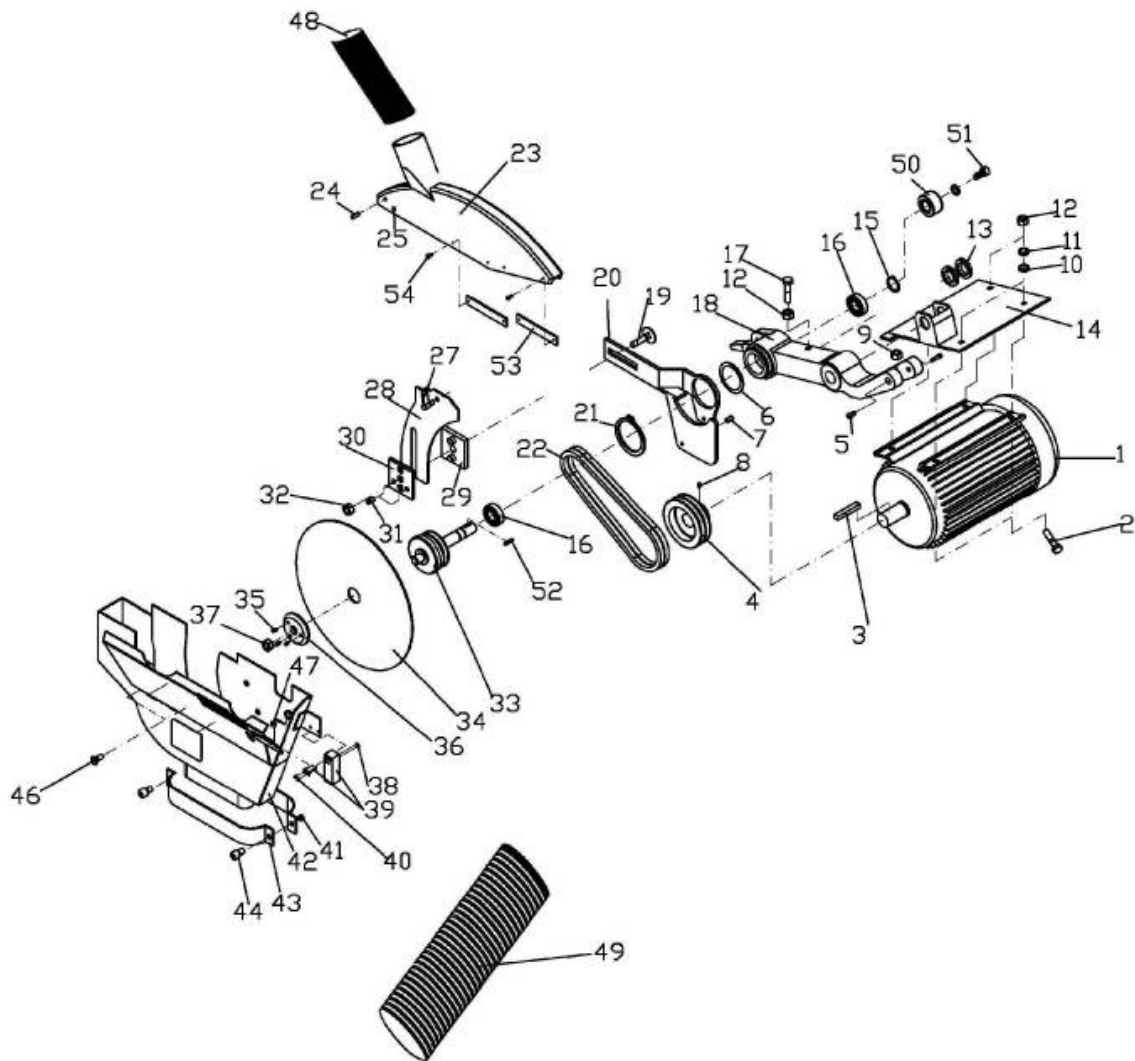
Parts List for The JTSS-2500 Panel Saw  
Extension Table; Rail Assembly



## Table Extension Assembly

Index No.	Part No.	Description	Size	Qty.
30	JTSS1500-116	Rail		1
31	JTSS1500-137	Rubber Plug		2
32	TS-1503031	Socket Head Cap Screw	M6x12	10
33	JTSS1500-142	Eccentric Washer		1
34	JTSS1500-115	Gear Base Cover		2
35	JTSS1500-127	Socket Set Screw	M12x100	6
36	TS-1502011	Socket Head Cap Screw	M5x8	8
37	JTSS1500-113	Gear Strip		1
38	TS-2342121	Hex Nut	M12	15
39	JTSS1500-113E	Scale		1
40	TS-1503051	Socket Head Cap Screw	M6x20	8
41	TS-1550041	Flat Washer	M6	10
42	TS-1540041	Hex Nut	M6	14
43	JTSS15000-109	Extension Table (Right)		1
44	TS-1504051	Socket Head Cap Screw	M8x25	4
45	TS-1550061	Flat Washer	M8	8
46	JTSS1500-114	Gear Base		1
47	JTSS1500-112	Table Insert		1
48	JTSS1500-134	Flat Head Screw	M5x10	4
49	JTSS1500-110	Hose Support		1
50	TS-1541031	Lock Nut	M8	6
51	TS-2361081	Lock Washer	M8	1
53	TS-1524061	Socket Set Screw	M8x25	4
54	JTSS1500	Extension Table		1
55	TS-2360121	Flat Washer	M12	10

## Parts List for The JTSS-2500 Panel Saw Motor and Blade Guard Assembly



### Motor and Blade Guard Assembly

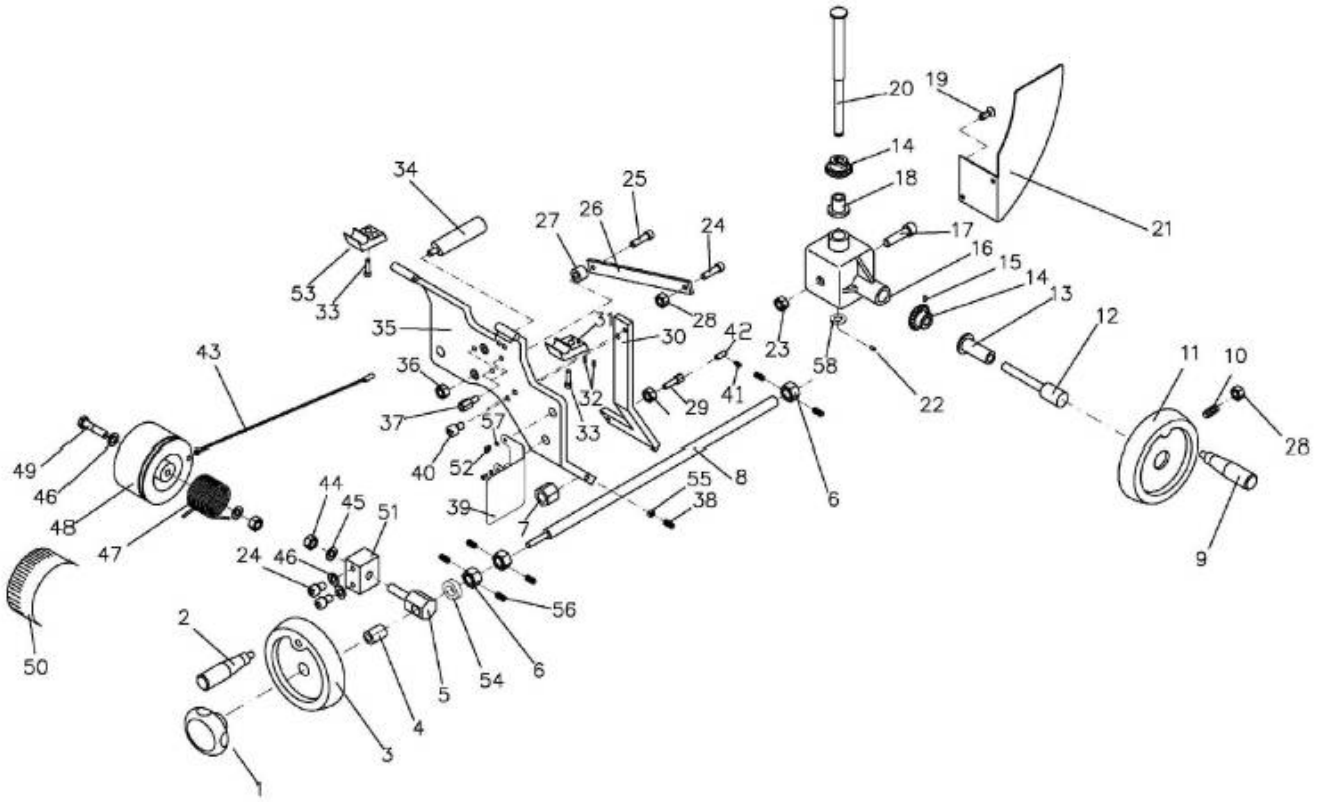
Index No.	Part No.	Description	Size	Qty.
1	JTSS1500-601AE	Motor	4Hp, 3Ph, 400V	1
	JTSS1500-601E	Motor	3Hp, 1Ph, 230V	1
	JTSS1500-601SCE	Starting Capacitor, (not shown)	600MFD, 125VAC	1
	JTSS1500-601RCE	Running Capacitor, (not shown)	45uF, 350VAC	1
	JTSS1500-MBA	Motor Break Assembly (not shown)		1
2	TS-1491021	Hex Cap Bolt	M10x20	4
3	JTSS1500-603	Key	6x6x30	1
4	JTSS1500-604	Pulley		1
5	TS-1504031	Socket Head Cap Screw	M8x16	3
6	JTSS1500-606	Wave Washer	ø 60	1
7	TS-1526011	Socket Set Screw	M12x1.75Px12	5
8	JTSS1500-608	Socket Set Screw With Nylon	M6x10	4
9	JTSS1500-609	Square Nut		2

## Motor and Blade Guard Assembly

Index No.	Part No.	Description	Size	Qty.
10	TS-1550071	Flat Washer	M10	8
11	TS-2361101	Lock Washer	M10	4
12	TS-1540071	Hex Nut	M10	8
13	JTSS1500-613	Bearing Nut		2
14	JTSS1500-614	Motor Plate		1
15	JTSS1500-615	Ring	STW-20	1
16	BB-6004ZZ	Ball Bearing	6004ZZ	2
17	TS-1491061	Hex Cap Bolt	M10x40	1
18	JTSS1500-618	Rotate Part		1
19	JTSS1500-619	Carriage Bolt	M12x35	1
20	JTSS1500-620	Knife Base		1
21	JTSS1500-621	Ring	STW-60	1
22	JTSS1500-622	Belt	3VX-265	2
23	JTSS1500-623	Blade Guard (included item # 53 & # 54)		1
24	JTSS1500-624	Spring Pin	ø 6x30	1
25	TS-2311081	Hex Nut	M8	5
27	JTSS1500-627	Adjust Lever	M8x30	1
28	JTSS1500-628	Knife		1
29	JTSS1500-629	Knife Cover		1
30	JTSS1500-630	Cover Fix Block		1
31	TS-1524011	Socket Set Screw	M8x8	4
32	JTSS1500-632	Lock Nut	M12	2
33	JTSS1500-633	Blade Arbor		1
34	JTSS1500-634	Blade		1
35	JTSS1500-635	Spring Pin	ø 4x12	2
36	JTSS1500-636	Flange		1
37	JTSS1500-637	Hex Nut	M12x1.75P (LT)	1
38	TS-1540021	Hex Nut	M4	2
39	JTSS1500-639	Limit Switch		1
40	JTSS1500-640	Flat Head Screw	M4x40	2
41	TS-1540041	Hex Nut	M6	14
42	JTSS1500-642	Dust Cover		1
43	JTSS1500-643	Clip		2
44	TS-1503061	Socket Head Cap Screw	M6x25	2
46	JTSS1500-646	Flat Head Screw	M8x20	3
47	JTSS1500-647	Magnet		1
48	JTSS1500-648	Dust tube dia. 60mm		1
49	JTSS1500-649	Dist tube dia. 100mm		1
50	JTSS1500-321	Pulley		1
51	TS-1504041	Socket Head Cap Screw	M8x25	1
52	JTSS1500-322	Key	6x6x20	1
53	JTSS1700-653	Board		4
54	JTSS1700-654	Brass Screw	M4x8	8



## Parts List For The JTSS-2500 Panel Saw Turning Assembly



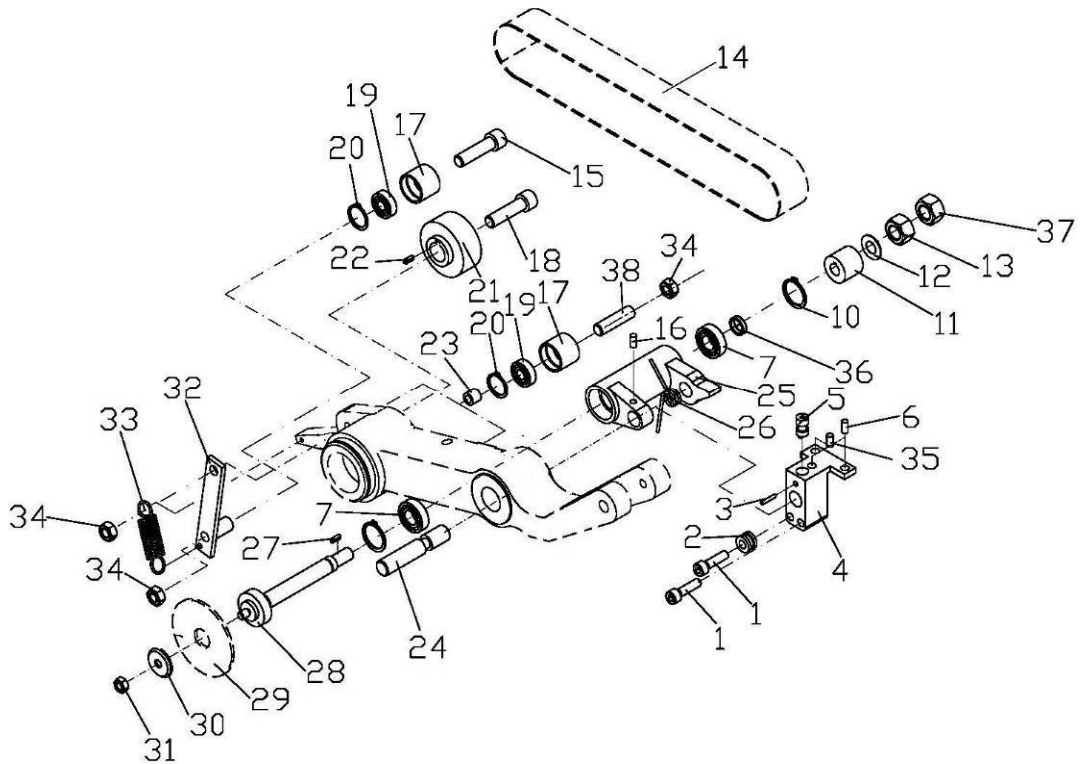
### Turning Assembly

Index No.	Part No.	Description	Size	Qty.
1	JTSS1500-401	Knob Nut	M10x1.5	1
2	JTSS1500-402	Handle		1
3	JTSS1500-403	Hand Wheel		1
4	JTSS1500-404	Hand Wheel Pad		1
5	JTSS1500-405	Fix Arbor		1
6	JTSS1500-406	Square Nut		3
7	JTSS1500-407	Square Nut		2
8	JTSS1500-408	Screw		1
9	JTSS1500-409	Handle		1
10	JTSS1500-410	Socket Set Screw	M8x14	1
11	JTSS1500-411	Handle Wheel		1
12	JTSS1500-412	Handle Wheel Arbor		1
13	JTSS1500-413	Copper Sleeve		1
14	JTSS1500-414	Gear		2
15	TS-0267021	Socket Set Screw	1/4"x1/4"	2
16	JTSS1500-416	Gear Box		1
17	JTSS1500-417	Hex Cap Bolt	M16x2.0Px40	1
18	JTSS1500-418	Copper Sleeve		1
19	TS-1514021	Socket Head Flat Screw	M6x16	32

## Turning Assembly

Index No.	Part No.	Description	Size	Qty.
20	JTSS1500-420	Worm		1
21	JTSS1500-421	Upper Cover		1
22	JTSS1500-422	Pin	ø 3x24	1
23	JTSS1500-423	Lock Nut	M16	1
24	TS-1504061	Socket Head Cap Screw	M8x30	3
25	TS-1504031	Socket Head Cap Screw	M8x16	1
26	JTSS1500-426	Crank		1
27	JTSS1500-427	Pulley Pad		
28	TS-2311081	Hex Nut	M8	5
29	JTSS1500-429	Gather Bolt		1
30	JTSS1500-430	Gather Shaft		1
31	JTSS1500-431	Rotate Part Fix		1
32	JTSS1500-432	Pin	ø 3x20	2
33	TS-1504041	Socket Head Cap Screw	M8x20	3
34	JTSS1500-434	Body Arbor		1
35	JTSS1500-435	Body		1
36	TS-1541031	Lock Nut	M8x1.25P	4
37	JTSS1500-437	Cover Sport		3
38	TS-1523071	Socket Set Screw	M6x25	2
39	JTSS1500-439	Cover		1
40	TS-1505031	Socket Head Cap Screw	M10x25	2
41	TS-1501031	Socket Set Screw	M4x10	1
42	JTSS1500-442	Steel Rope Jacket		1
43	JTSS1500-443	Steel Rope		1
44	TS-2342121	Lock Nut	M12	3
45	TS-2360121	Flat Washer	M12	11
46	TS-1550061	Flat Washer	M8	9
47	JTSS1500-447	Spring		1
48	JTSS1500-448	Steel Rope Wheel		1
49	JTSS1500-449	Hex Cap Bolt	M8x75	1
50	JTSS1500-450	Scale Label		1
51	JTSS1500-451	Fix Arbor Nut		1
52	TS-1502021	Socket Head Cap Screw	M5x10	2
53	JTSS3200-453	Rotate Part Fix		1
54	JTSS3200-454	Thrust Bearing		1
55	TS-1540041	Hex Nut	M6	2
56	TS-1523011	Socket Set Screw	M6x6	6
57	TS-1550041	Flat Washer	M6	2
58	TS-2360121	Flat Washer	M12	1

## Parts List For The JTSS-2500 Panel Saw Scoring Assembly



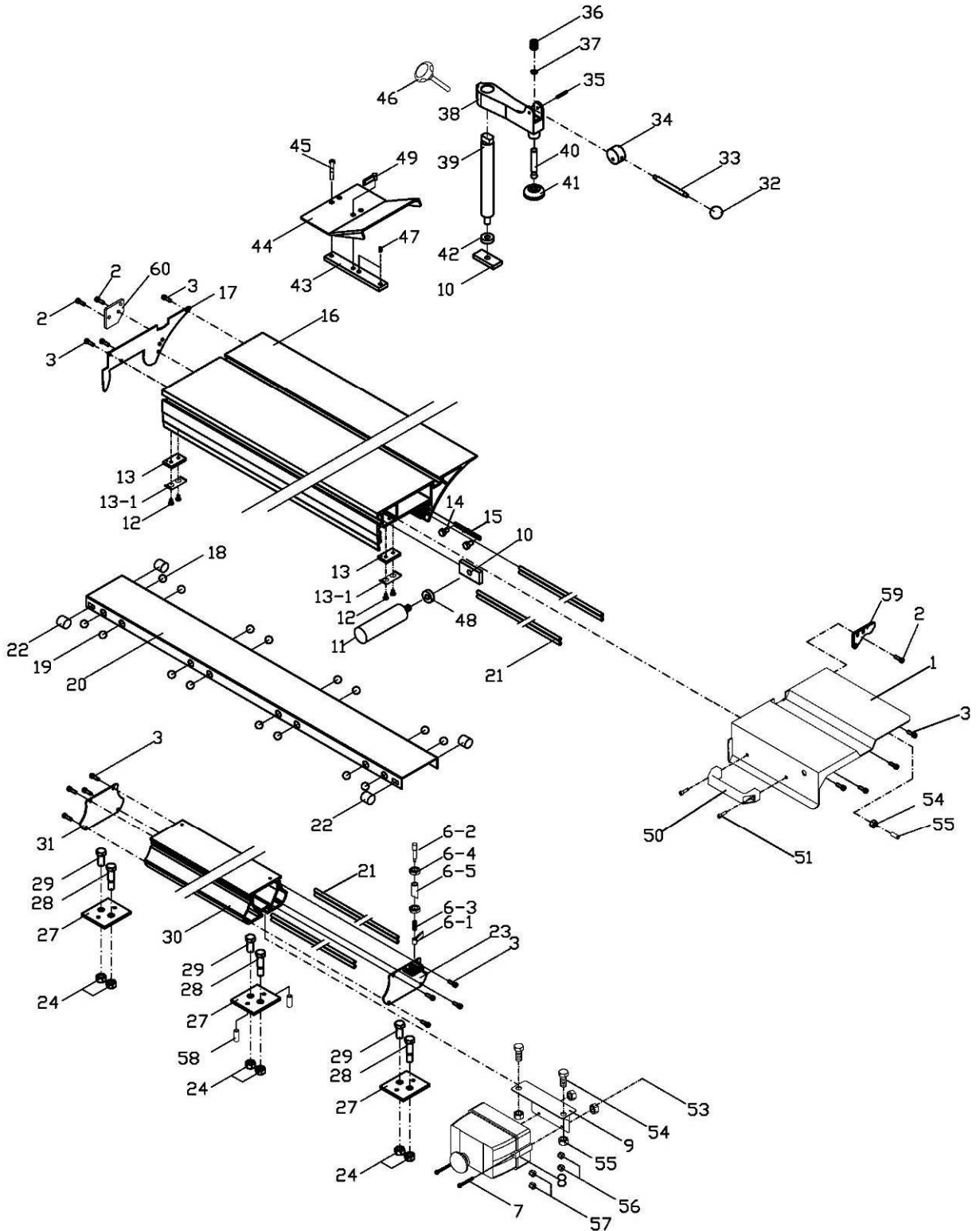
### Scoring Assembly

Index No.	Part No.	Description	Size	Qty.
1	TS-1504071	Socket Head Cap Screw	M8x35	2
2	JTSS1500-302	Sleeve		1
3	TS-1522031	Socket Set Screw	M5x10	1
4	JTSS1500-304	Link Shaft Fix Base		1
5	JTSS1500-305	Adjustment Screw		1
6	TS-1524061	Socket Set Screw	M8x25	3
7	BB-6002ZZ	Ball Bearing	6002	2
10	JTSS1500-310	Ring	RTW-32	2
11	JTSS1500-311	Blade Pulley		1
12	TS-1550061	Flat Washer	M8	9
13	JTSS1500-313	Nut	M8x1.25 (LT)	1
14	JTSS1500-314	Flat Belt		1
15	JTSS1500-315	Socket Head Cap Screw	M10X55	3
16	TS-1502021	Socket Set Screw	M5x10	2
17	JTSS1500-317	Pulley		3
18	TS-1504051	Socket Head Cap Screw	M8x25	1
19	BB6000	Ball Bearing	6000	3

### Scoring Assembly

Index No.	Part No.	Description	Size	Qty.
20	JTS1500-320	Ring	RTW-26	3
21	JTSS1500-321	Blade Pulley		1
22	JTSS1500-322	Key	6x6x20	1
23	JTSS1500-323	Pulley Pad		4
24	JTSS1500-324	Blade Link Shaft Arbor		1
25	JTSS1500-325	Blade Link Shaft		1
26	JTSS1500-326	Spring		1
27	JTSS1500-327	Key	4x4x10	1
28	JTSS1500-328E	Blade Arbor		1
29	JTSS1500-329	Scoring Blade	ø80/ ø20mm	1
30	JTSS1500-330	Flange		1
31	JTSS1500-331	Nylon Nut	M8x1.25P	4
32	JTSS1500-332	Pulley Support		1
33	JTSS1500-333	Spring		1
34	JTSS1500-334	Nylon Nut	M10x1.5P	2
35	JTSS1500-335	Copper Bar		1
36	JTSS1500-336	Bushing		1
37	JTSS1500-337	Nylon Nut	M8x1.25P (LT)	2
38	JTSS1500-338	Eccentric Shaft		1
	JTSS1500-CSA	Complete Scoring Assembly (Index # 1 - 13, 15 - 28, 30 - 38)		1

## Parts List For The JTSS-2500 Panel Saw Sliding Table Assembly

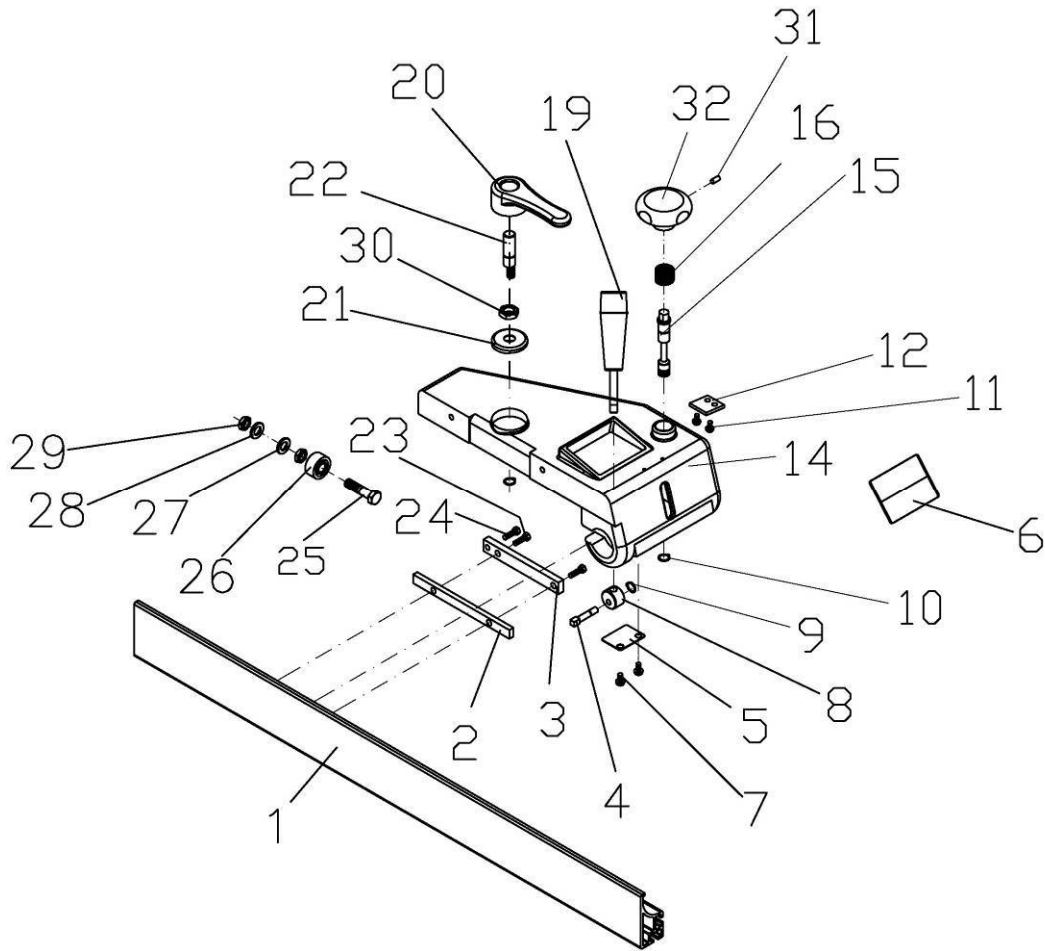


## Sliding Table Assembly

Index No.	Part No.	Description	Size	Qty.
1	JTSS3200-401A	Sliding Table Handle		1
2	TS-1503051	Socket Head Cap Screw	M6 x 20	6
3	TS-1503041	Socket Head Cap Screw	M6x1.0Px16	20
4	TS-2310162	Hex Nut	M16	2
6A	JTSS2500-IPA	Index pin Assembly (6-1 thru 6-5)		1
6-1	JTSS2500-6-1	Drive Handle		1
6-2	JTSS2500-6-2	Hub for Index Pin		1
6-3	JTSS2500-6-3	Spring		1
6-4	JTSS2500-6-4	Nut	M12	2
6-5	JTSS2500-6-5	Stop Rod		1
7	JTSS2200-407	Cross Round Head Screw	M5x20	2
8	JTSS1500-201AE	Magnetic Switch Assembly	4Hp 400V 3ph	1
	JTSS1500-201E	Magnetic Switch Assembly	3Hp 230V 1ph	1
	JTSS1500-201CSAE	Contactora Switch (not shown)	4HP 400V 3ph	1
	JTSS1500-201CSE	Contactora Switch (not shown)	3Hp 230V 1ph	1
	JTSS1500-201ORAE	Overload relay (not shown)	4Hp 400V 3ph	1
	JTSS1500-201ORE	Overload relay (not shown)	3Hp 230V 1ph	1
9	JTSS2200-409	Support Bracket		1
10	JTSS3000-410	Push Board Block		2
11	JTSS3000-411	Push Handle		1
12	JTSS3000-412	Flat Head Screw	M8x16	4
13	JTSS3200-413	Rubber Plate		2
13-1	JTSS3200-413-1	Holding Bracket (not shown)		2
	JTSS3200-413A	Rubber Plate Assembly (12, 13, 13-1)		
14	TS-1482031	Hex Cap Bolt	M6x16	20
15	JTSS3000-415	Adjust Shaft		2
16	JTSS2200-416	Sliding Table		1
17	JTSS3200-417	Sliding Table End Cover		1
18	JTSS3000-418	Steel Ball	ø17.5	8
19	JTSS3000-419	Steel Ball	ø18.1	8
20	JTSS2200-420	Steel Ball Base		1
21	JTSS2200-421	Track Strip		4
22	JTSS3000-422	Steel Ball Base Sponge		4
23	JTSS3200-423N	Sliding Base Cover (Front)		1
24	TS-2310142	Hex Nut	M14	12
27	JTSS3000-427	Adjustment Plate		3
28	JTSS3000-428	Hex Cap Bolt	M14x40	3
29	JTSS3000-429	Hex Cap Bolt	M14x30	3
30	JTSS2200-430	Sliding Base		1
31	JTSS1500-210N	Sliding Base Cover (Rear)		1
32	JTSS3000-432	Ball Handle		1
33	JTSS3000-433	Handle		1
34	JTSS3000-434	Cam		1
35	JTSS3000-435	Spring Pin	ø5x30	1
36	JTSS3000-436	Push Board Spring		1
37	JTSS3000-437	Ring		1
38	JTSS3000-438	Push Board		1
39	JTSS3000-439	Push Board Arbor		1
40	JTSS3000-440	Push Plate Arbor		1
41	JTSS3000-441	Push Plate		1
42	JTSS3000-442	Push Bushing		1
43	JTSS3000-443	Stop Board Block		1
44	JTSS3000-444	Stop Board		1

<b>Index No.</b>	<b>Part No.</b>	<b>Description</b>	<b>Size</b>	<b>Qty.</b>
45	TS-1491021	Hex Cap Bolt	M10X20	1
46	JTSS3000-446	JET Knob	M8x20	1
47	JTSS3000-447	Socket Set Screw	M10x10	2
48	JTSS3000-448	Plastic Washer		1
49	JTSS3000-449	Adjust Lever	M10x20	1
50	JTSS3000-450	Work Handle		1
51	TS-1504031	Socket Head Cap Screw	M8x16	2
53	TS-1540031	Hex Nut	M5	2
54	JTSS2200-454	Hex Cap Screw	M14x30	2
55	TS-154009	Hex Nut	M14	2
56	JTSS2200-160	Strain Relive	PG-13.5	2
57	JTSS2200-160	Strain Relive	PG-13.5	2
58	JTSS3000-121N	Socket Set Screw (nylon)	M14x30	6
59	JTSS3200-452	Stopping Plate		1
60	JTSS3200-453	Stopping Plate		1
	JTSS3000-571	Workpiece Hold-down Assembly (10, 32-42, 46)		
	JTSS2500-STA	Sliding Table Assembly JTSS-2500 (2-3, 6A, 12-23, 30, 31)		

**Parts List For The JTSS-2500 Panel Saw  
Rip Fence Assembly**

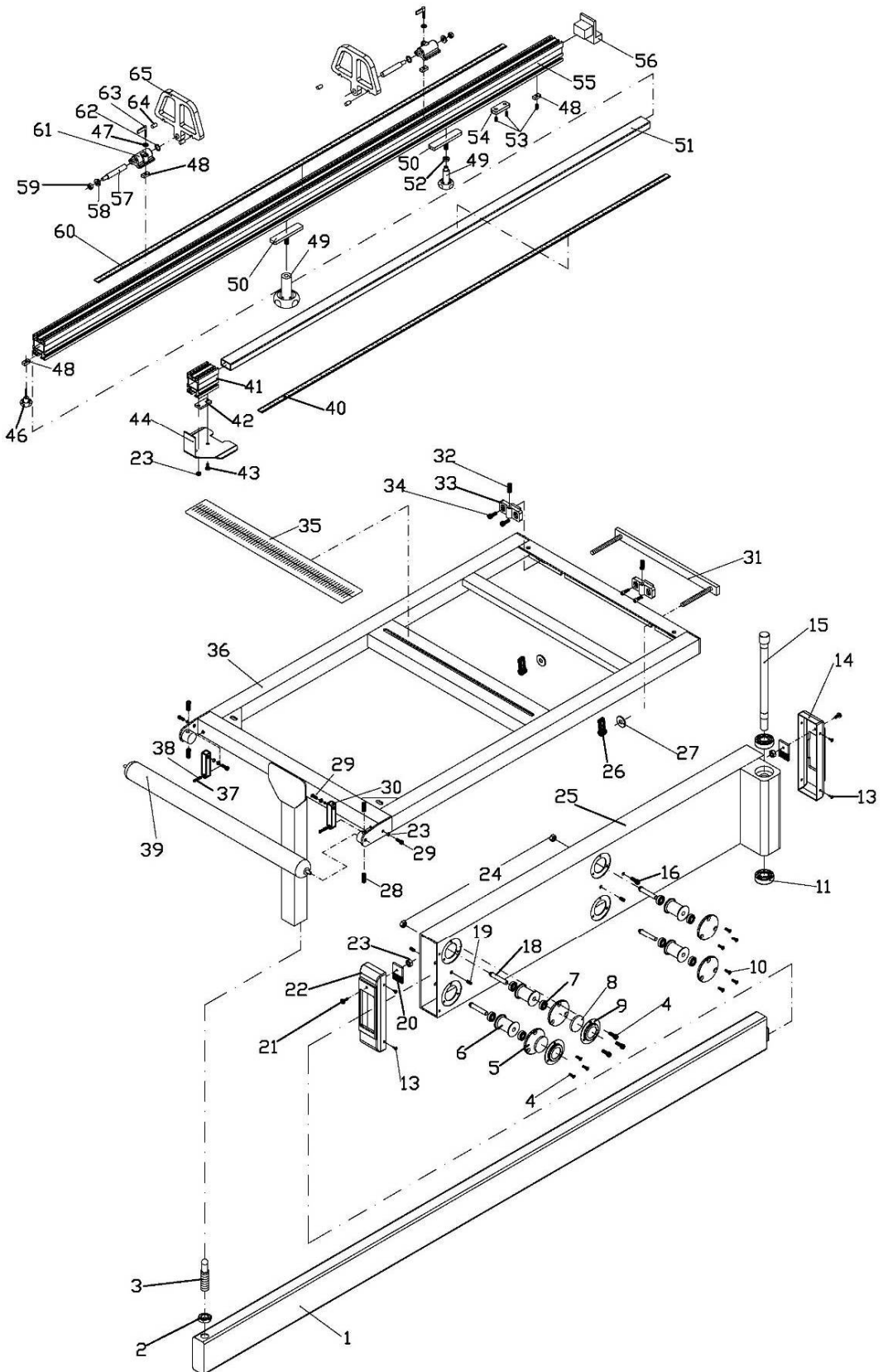




## Rip Fence Assembly

Index No.	Part No.	Description	Size	Qty.
1	JTSS1500-501	Rip Fence Profile		1
2	JTSS1500-502	Lock Block (Short)		1
3	JTSS1500-503	Lock Block (Long)		1
4	JTSS1500-504	Eccentric Arbor		1
5	JTSS1500-505	Push Board		1
6	JTSS1500-506	Label		1
7	JTSS1500-507	Round Head Screw	M5x8	2
8	JTSS1500-508	Eccentric Wheel		1
9	JTSS1500-509	Ring	STW-8	1
10	JTSS1500-510	Ring	STW-16	2
11	JTSS1500-511	Round Head Screw	M4x0.7Px6	2
12	JTSS1500-512	Indicator		1
13	JTSS1500-513	Connect Plate		1
14	JTSS1500-514	Smooth Base		1
15	JTSS1500-515	Gear Arbor		1
16	JTSS1500-516	Spring		1
19	JTSS1500-519	Rubber Handle		1
20	JTSS1500-520	Handle		1
21	JTSS1500-521	Bushing		1
22	JTSS1500-522	Eccentric		1
23	TS-1490111	Hex Cap Bolt	M8x60	2
24	TS-1490051	Hex Cap Bolt	M8x30	1
25	TS-1492051	Hex Cap Bolt	M12x50	1
26	JTSS1500-526	Wheel		1
27	JTSS1500-527	Hex Nut	M12x1.25P	16
28	JTSS1500-528	Star Washer	ø12	2
29	JTSS1500-529	Lock Nut	M12x1.25P	3
30	TS-154010	Hex Nut	M16x2.0P	1
31	JTSS1500-531	Spring Pin	Ø4x25	1
32	JTSS1500-532	Knob		1
	JTSS1500-RFA	Rip Fence Assembly (2-32)		1

## Parts List For The JTSS-2500 Panel Saw Cross Cut Table Assembly



## Cross Cut Table Assembly

Index No.	Part No.	Description	Size	Qty.
1	JTSS2200-301	Extension Sliding		1
2	JTSS3000-302	Hex Nut	M20xP2.5	1
3	JTSS3000-303	Sliding Arm Arbor		1
4	JTSS3000-304	Flat Head Screw	M5x8	6
5	JTSS3000-305	Rotate Arbor Support		4
6	JTSS3000-306	Eccentric Wheel		4
7	JTSS3000-307	Ball Bearing	6901ZZ	4
8	JTSS3000-308	Magnet		2
9	JTSS3000-309	Magnet Base		2
10	JTSS3000-310	Flat Head Screw	M5x8	6
11	BB-6204ZZ	Ball Bearing	6204ZZ	2
13	JTSS3000-313	Flat Head Screw	M5x8	10
14	JTSS3000-314	Sliding Arm Cover		1
15	JTSS3000-315	Arm Arbor		1
16	TS-1524061	Socket Set Screw	M8x10	3
18	JTSS3000-318	Eccentric Arbor		2
19	JTSS3000-319	Nylon Set Screw	M12x12	4
20	JTSS3000-320	Brush		2
21	TS-1503041	Socket Head Cap Screw	M6x16	16
22	JTSS3000-322	Sliding Arm Cover-Front		1
23	TS-1540041	Hex Nut	M6	8
24	TS-2311101	Hex Nut	M10	2
25	JTSS3000-325	Support Arm		1
26	JTSS3000-326	Adjust Lever		2
27	TS-1550071	Flat Washer	M10	4
28	TS-1523011	Socket Set Screw	M6x6	4
29	TS-1503061	Socket Head Cap Screw	M6x25	5
30	JTSS3000-330	Stop Block		2
31	JTSS3000-331	Lock Bar		1
32	TS-1524051	Socket Set Screw	M8x20	2
33	JTSS3000-333	Support Adjustment Block		2
34	TS-1523021	Socket Head Cap Screw	M6x10	6
35	JTSS3000-335	Angle Label		1
36	JTSS2200-336	Cross Cut Table		1
37	TS-1503061	Socket Head Cap Screw	M6x25	2
38	JTSS3000-338	Wave Washer		4
39	JTSS3000-339	Work Table Roller		1
40	JTSS3000-340	Scale		1
41	JTSS3000-341	Cross Cut Fence		1
42	JTSS3000-342	Fix Plate		1
43	JTSS3000-343	Round Head Screw	M6x25	2
44	JTSS3000-344	Cover Plate		1
46	JTSS3000-346	JET Knob	M6x35	3
47	TS-1540041	Flat Washer	M6	3
48	JTSS3000-348	Set Nut		4
49	JTSS3000-349	Knob	M10x90	2

### Cross Cut Table Assembly

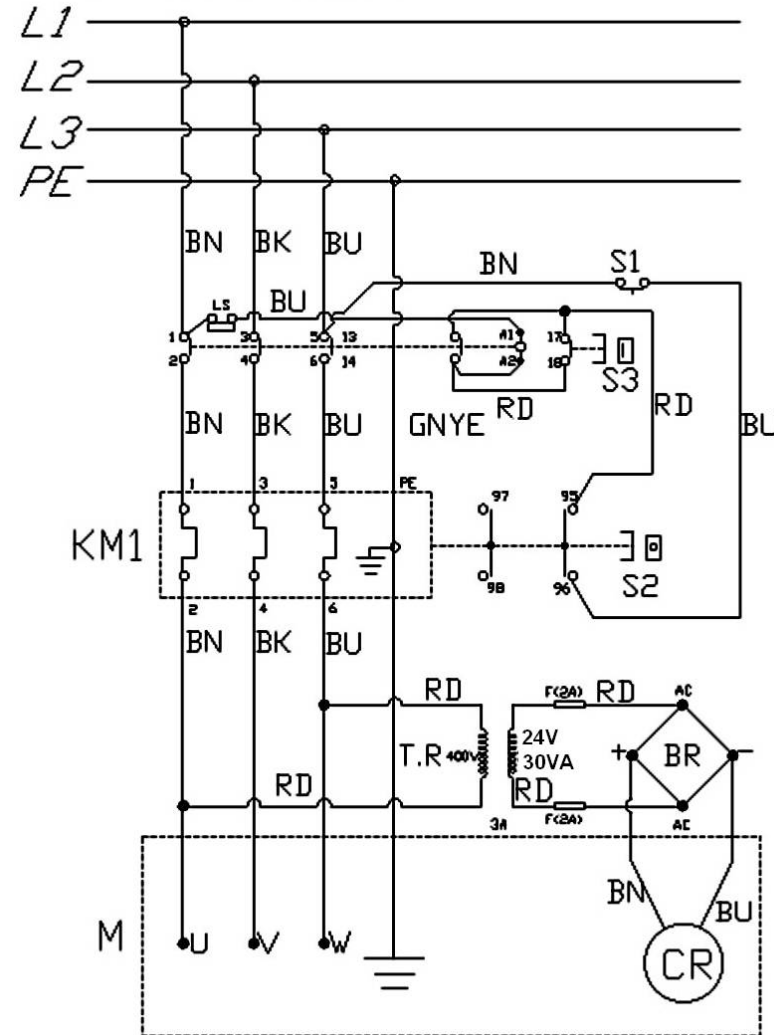
Index No.	Part No.	Description	Size	Qty.
50	JTSS3000-350	Fix Block		1
51	JTSS3000-351	Scale Tube		1
52	JTSS3000-352	Bushing		2
53	TS-1523011	Socket Set Screw	M6x6	2
54	JTSS3000-354	Fix Block		1
55	JTSS3000-355	Cross Cut Fence		1
56	JTSS3000-356	End Plug FOR Cross Cut Fence		1
57	JTSS3000-357	Clamping Shaft		2
58	TS-1550061	Flat Washer	M8	2
59	TS-1540031	Lock Nut	M8	5
60	JTSS3000-360	Scale		1
61	JTSS3000-361	Clamping Bracket		2
62	TS-1550041	Flat Washer	M6	2
63	JTSS3000-363	Adjust Lever	M6x35	2
64	JTSS3000-364	Clamping Rubber Pad		4
65	JTSS3000-365	Clamping		2
	JTSS3000-570	Crosscut Stop Assembly (47, 48, 57-59, 61-65)		

**JTSS-2500  
1000046T**

	colour of strands	Litzenfarben	couleur des cordons
BK	black	schwarz	noir
BU	blue	blau	bleu
BN	brown	braun	brun
RD	Red	rot	rouge
GNYE	green-yellow	grün-gelb	vert-jaune

	meaning of symbol	Bedeutung der Zeichen	interprétation
M	main motor	Hauptmotor	moteur principal
S1	emergency stop switch	Not-Aus Schalter	arrêt d'urgence
S2	off switch	Aus-Schalter	bouton arrêt
S3	start switch	Ein-Schalter	bouton marche
KM1	contactor for main motor	Hauptschütz	contacteur moteur
F	fuse	Sicherung	fusible
BR	Bridge rectifier	Brückengleichrichter	rectifier
TR	transformer	Transformator	transformateur
LS	limit switch	Positionsendschalter	micro

**400V/50Hz/3**



**JTSS-2500  
1000046M**

	colour of strands	Litzenfarben	couleur des cordons
BK	black	schwarz	noir
BU	blue	blau	bleu
BN	brown	braun	brun
RD	Red	rot	rouge
GNYE	green-yellow	grün-gelb	vert-jaune

	meaning of symbol	Bedeutung der Zeichen	interprétation
M	main motor	Hauptmotor	moteur principal
S1	emergency stop switch	Not-Aus Schalter	arrêt d'urgence
S2	off switch	Aus-Schalter	bouton arrêt
S3	start switch	Ein-Schalter	bouton marche
KM1	contactor for main motor	Hauptschütz	contacteur moteur
F	fuse	Sicherung	fusible
BR	Bridge rectifier	Brückengleichrichter	rectifier
TR	transformer	Transformator	transformateur
LS	limit switch	Positionsendschalter	micro

**230V/50Hz/1**

