

# **JET**

**JWBS-14**

**WOODWORKING BANDSAW**

**10000100M**

**230/50/1**

**PARTS LIST**

**ERSATZTEILLISTE**

**LISTE DE PIECES**

**WMH Tool Group AG**

Bahnstrasse 24, CH-8603 Schwerzenbach

[www.wmhtoolgroup.ch](http://www.wmhtoolgroup.ch); [info@wmhtoolgroup.ch](mailto:info@wmhtoolgroup.ch)

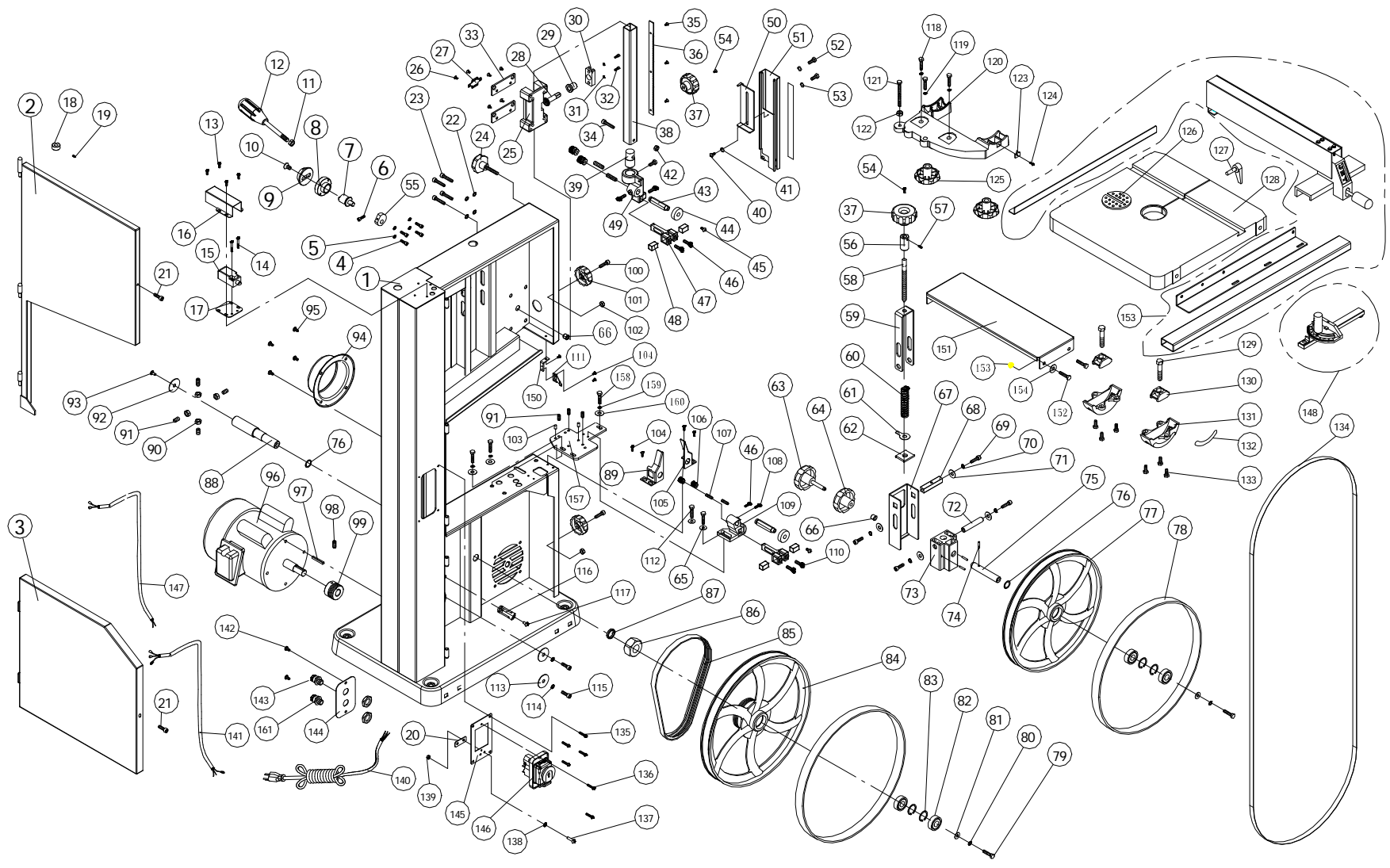
Tel +41 (0) 1 806 47 48

Fax +41 (0) 1 806 47 58

P-10000100M 03/02







Breakdown for JWBS-14

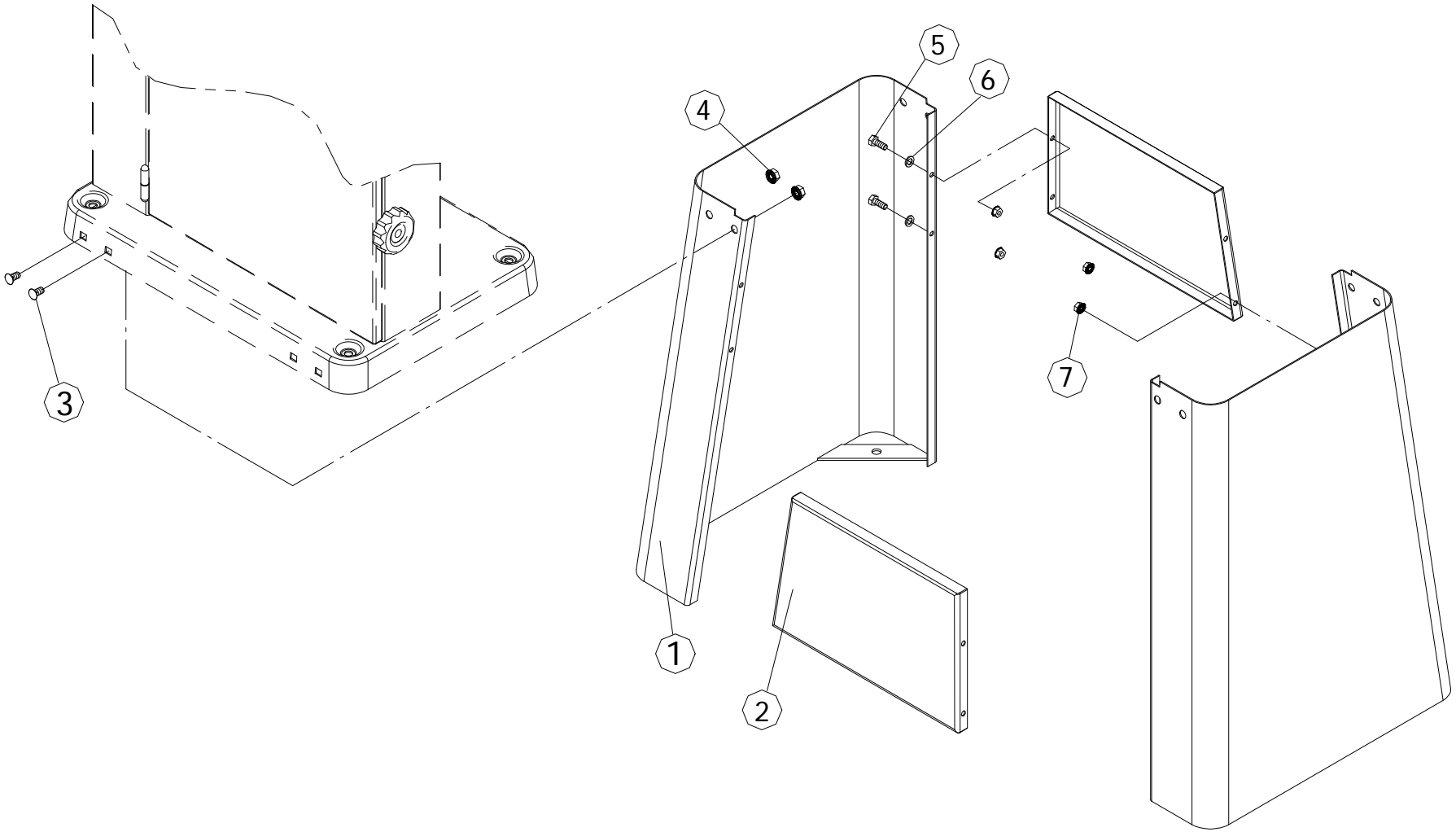
## Parts List for JWBS-14

Index No.	Part No.	Description	Size	Qty.
1	130001W	Body		1
2	130004W	Upper Door Ass'y		1
3	130005W	Lower Door Ass'y		1
4	SR060200	Socket Cap Bolt	M6x10	4
5	WS060000	Spring Washer	M6	4
6	SR059300	Socket Cap Bolt	M5x12	1
7	130017	Bias Shaft		1
8	130018	Bias Shaft Clamp Seat		1
9	130020	Adjust Shoes		1
10	SM080400	Socket Cap Bolt	M8x20	1
11	NH081300	Nut	M8	1
12	130041	Handle		1
13	SF059200	Pan Head Bolt	M5x8	4
14	SF040700	Pan Head Bolt	M4x35	2
15	136012	Limit Switch	AZD-1112	1
16	130046	Cover		1
17	130047	Fixed Plate		1
18	136009	Switch Bushing		1
19	SS050100	Set Screw	M5x5	1
20	130003	Copper Coin		1
21	SR060200	Socket Cap Bolt	M6x10	2
22	WS080000	Spring Washer	M8	4
23	SJ080400	Socket Cap Bolt	M8x20	4
24	412040	Lock Knob	M8x25	1
25	130011	Upper Support Bracket Post		1
26	SN040100	Socket Cap Bolt	M4x5	6
27	130032	Spring Piece		1
28	130012	Adjust Gear		1
29	135043	Bushing		1
30	130016	Gear Fixed		1
31	WS060000	Spring Washer	M6	2
32	SR060200	Socket Cap Bolt	M6x10	2
34	SR060700	Socket Cap Bolt	M6x35	1
35	SN040100	Socket Cap Bolt	M4x5	3
36	130010	Gear Row		1
37	620029	Adjust Nut		2
38	130009	Guide Shaft		1
39	130025	Change Shaft		1
40	135073	Step Screw		1
41	135054	Plastic Washer	M6	1
42	NH061000	Nut	M6	1
43	150015	Spacing Sleeve		2
44	BB620002	Ball Bearing	6200ZZ	2
45	SF069200	Pan Head Bolt	M6x8	2
46	150013	Thumb Screw	M6x16	3
47	150006	Support Bracket		2
48	150011	Block Guide		4
49	150005	Upper Support Bracket Post		1
50	130030	Free Board		1
51	130031	Blade Cover		1
52	SH060200	Hex Head Bolt	M6x10	2
53	WF061301	Flat Washer	M6	2
54	SF060200	Pan Head Bolt	M6x10	2
55	130033	Cam		1
56	130044	Fixed Ring		1
57	SS050100	Set Screw	M5x5	1
58	130036	Adjust Screw		1
59	130022	Support Seat		1

60	130048	Spring		1
61	130023	Indicator		1
62	130019	Free Nut		1
63	990654	Lock Knob	M8x45	1
64	990657	Knob Nut		1
65	WF061310	Flat Washer	M6	2
66	991608	Pull Nut	M8	2
67	130015	Upper Wheel Fixed Seat		1
68	130028	Free Key	12x12	1
69	SR089400	Socket Cap Bolt	M8x16	4
70	WS080000	Spring Washer	M8	4
71	WF082320	Flat Washer	M8	4
72	130026	Revolving Spindle		1
73	130006	Upper Wheel Jump Seat		1
74	PS053500	Spring Pin	5x35	3
75	130007	Upper Wheel Shaft		1
76	WW152203	Waves Washer		2
77	170006	Upper Wheel		1
78	150035	Wheel Tire		2
79	SH089400	Hex Head Bolt	M8x16	2
80	WS080000	Spring Washer	M8	2
81	WF081818	Flat Washer	M8	2
82	BB620201	Ball Bearing	6202ZZ	4
83	RR350000	Retaining Ring	R35	4
84	130035	Lower Wheel		1
85	LJ019550	Belt	195J5	1
86	NH182601	Nut	M18	1
87	WS180000	Spring Washer	M18	1
88	130002	Lower Wheel Shaft		1
89	130042	Left Cover		1
90	NH081300	Nut	M8	4
91	SS080400	Set Screw	M8x20	7
92	135013	Cover		1
93	SF059200	Pan Head Bolt	M5x8	1
94	412007W	Inlet		1
95	SF060200	Pan Head Bolt	M6x10	4
96	MH130001	Motor		1
97	KP050520	Key	5x5x20	1
98	SS060200	Set Screw	M6x10	1
99	130027	Motor Pulley		1
100	SR080400	Socket Cap Bolt	M8x20	2
101	135041	Knob		2
102	NL061000	Nylon Nut	M6	2
103	150031	Pin		2
104	SF059100	Pan Head Bolt	M5x6	7
105	130043	Right Cover		1
106	150010	Adjusting Nut		4
107	SS080801	Adjusting Screw	M8x40	4
108	150014	Thumb Screw	M6x12	1
109	170752	Lower Support Bracket Post		1
110	130014	Thumb Screw	M6x24	2
111	130054	Point		1
112	SG069300	Hex Head Flange Bolt	M6x12	2
113	WF083030	Flat Washer	M8	2
114	WS080000	Spring Washer	M8	2
115	SR080500	Socket Cap Bolt	M8x25	2
116	170507	Brush		1
117	SF059200	Pan Head Bolt	M5x8	1
118	SH080600	Hex Head Bolt	M8x30	3
119	WS080000	Spring Washer	M8	3
120	130021	Trunnion Support Bracket		1
121	SH081600	Hex Head Bolt	M8x80	1

122	NH081300	Nut	M8	1
123	110049	Pointer		1
124	SP059100	Pan Head Bolt	M5x6	1
125	150045	Lock Knob	M10	2
126	135010	Table Insert		1
127	130045	Table Pin		1
128	130034	Table		1
129	SH101003	Hex Head Bolt	M10x50	2
130	100041	Trunnion Clamp Shoes		2
131	100042	Trunuion		2
132	100051	Scale		1
133	SG069300	Hex Head Flange Bolt	M6x12	6
134	130024	Saw Blade	L2557Xw9.5	1
135	SF059200	Pan Head Bolt	M5x8	4
136	SP040200	Pan Head Bolt	M4x10	2
137	SP059300	Pan Head Bolt	M5x12	2
138	WE050000	Star Washer	M5	2
139	NH050500	Nut	M5	2
140	IC130005	Power Cord		1
141	IM130001	Motor Cord		1
142	SF059200	Pan Head Bolt	M5x8	2
143	709409	Strain Relief		1
144	135056	Plate		1
145	130050W	Switch Plate		1
146	994651	Switch		1
147	IC130006	Limit Switch Cord		1
148	AB198101	Miter Guide		1
	198101	Guide Bar		1
	198102	Guide		1
	198103	Nylon Washer		1
	198104	Handle		1
	198105	Miter Gauge Body		1
	198106	Guide		1
	198107	Shaft		1
	SN069200	Socket Cap Bolt	M6x6	1
	SF059200	Pan Head Bolt	M5x8	1
150	130055	Fixed Board		1
151	130039W	Extend Table		1
152	SH069400	Hex Head Bolt	M6x16	4
153	NF061000	Nut	M6	4
154	WF061300	Flat Washer	M6	4
155	JRF-14R	Rip Fence		1
157	130049	Fixed Plate		1
158	SH080400	Hex Head Bolt	M8x20	3
159	WS080000	Spring Washer	M8	3
160	WF081818	Flat Washer	M8	3
161	709410	Bell Strain Relief		1





Breakdown for Stand

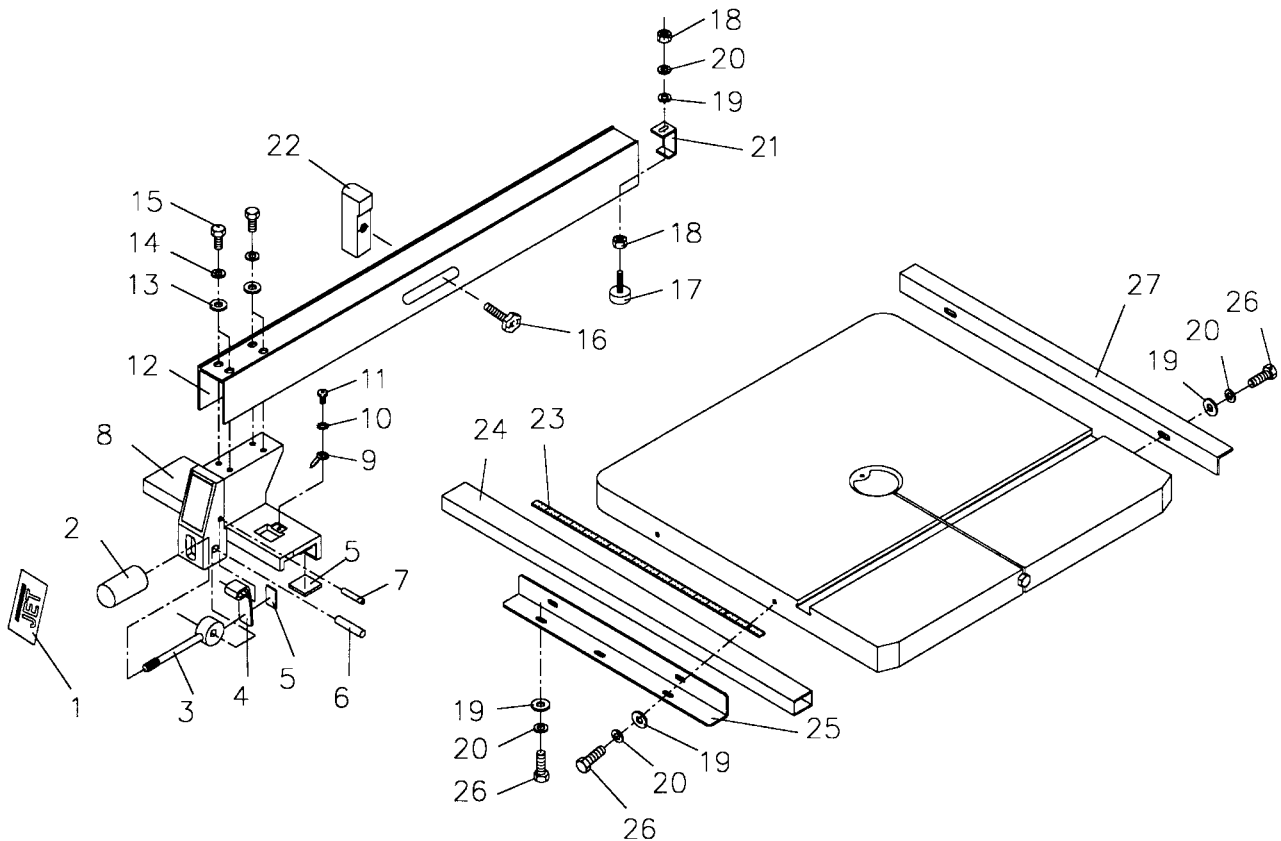


### Parts List for Stand

<b>Index No.</b>	<b>Part No.</b>	<b>Description</b>	<b>Size</b>	<b>Qty.</b>
1 .....	100144W .....	Stand .....		2
2 .....	100164W .....	Side Cover .....		2
3 .....	SC089400 .....	Carriage Bolt .....	M8x16 .....	8
4 .....	NF061300 .....	Nut .....	M8 .....	8
5 .....	SH069400 .....	Hex Head Bolt .....	M6x16 .....	8
6 .....	WF061310 .....	Flat Washer .....	M6 .....	8
7 .....	NF061000 .....	Nut .....	M6 .....	8

## JRF-14R Parts List

Index No.	Part No.	Description	Size	Quantity
1	JWBS14-F01	JET Plaque		1
2	JWBS18-431	Knob		1
3	JWBS18-432	Lock Handle		1
4	JWBS18-433	Lock Plate		1
5	JWBS18-434	Pad		5
6	JWBS18-435	Pin		1
7	JWBS18-436	Pin		1
8	JWBS18-430	Fence Body		1
9	JWBS18-422	Pointer		1
10	JWBS18-441	Star Washer		1
11	JWBS18-440	Screw	3/16 x 14	1
12	JWBS14-F12	Fence		1
13	JWBS18-439	Flat Washer*	5/16	4
14	TS-0720081	Lock Washer*	5/16	4
15	TS-0081031	Hex Cap Bolt*	5/16 x 3/4	4
16	JWBS14-F16	Knob*		1
17	JWBS18-444	Sliding Pad*		1
18	TS-0561011	Hex Nut*	1/4"	2
19	TS-0680021	Falt Washer*	1/4"	8
20	TS-0720071	Lock Washer*	1/4"	8
21	JWBS18-445	Rear Hook*		1
22	JWBS14-F22	Resaw Kit*		1
23	JWBS14-F23	Scale		1
24	JWBS14-F24	Guide Rail		1
25	JWBS14-F25	Front Rail		1
26	TS-1482041	Hex Cap Bolt*	M6 x 20	7
27	JWBS14-F27	Rear Rail		1



**JWBS-14**  
**10000100 M**

**230/50/1**

	colour of strands	Litzenfarben	couleur des cordons
BK	black	schwarz	noir
WH	white	weiß	blanc
BU	blue	blau	bleu
YE	yellow	gelb	jaune
RD	red	rot	rouge
BN	brown	braun	brun
GY	grey	grau	gris
GNYE	green-yellow	grün-gelb	vert-jaune
OG	orange	orange	orange
VT	violet	violett	violet

	meaning of symbol	Bedeutung der Zeichen	interprétation
M	motor	Motor	moteur
S	switch	Schalter	interrupteur
C	condenser	Kondensator	condensateur
E	electronic unit	Elektronik Einheit	unité électronique
F	fuse	Sicherung	fusible
RS	reversing switch	Drehrichtungsschalter	commu. droite/gauche
CS	centrifugal switch	Fliehkraftschalter	déclencheur centrifuge
OL	overload cut-off	Überlastschuttschalter	déclencheur surcharge
LS	limit switch	Positionsendschalter	micro

