

# **JET**

**JWBS-16**

**WOODWORKING BANDSAW**

**10000150M/10000150T**

**230/50/1 / 400/50/3**

**PARTS LIST**

**ERSATZTEILLISTE**

**LISTE DE PIECES**

**WMH Tool Group AG**

Bahnstrasse 24, CH – 8603 Schwerzenbach

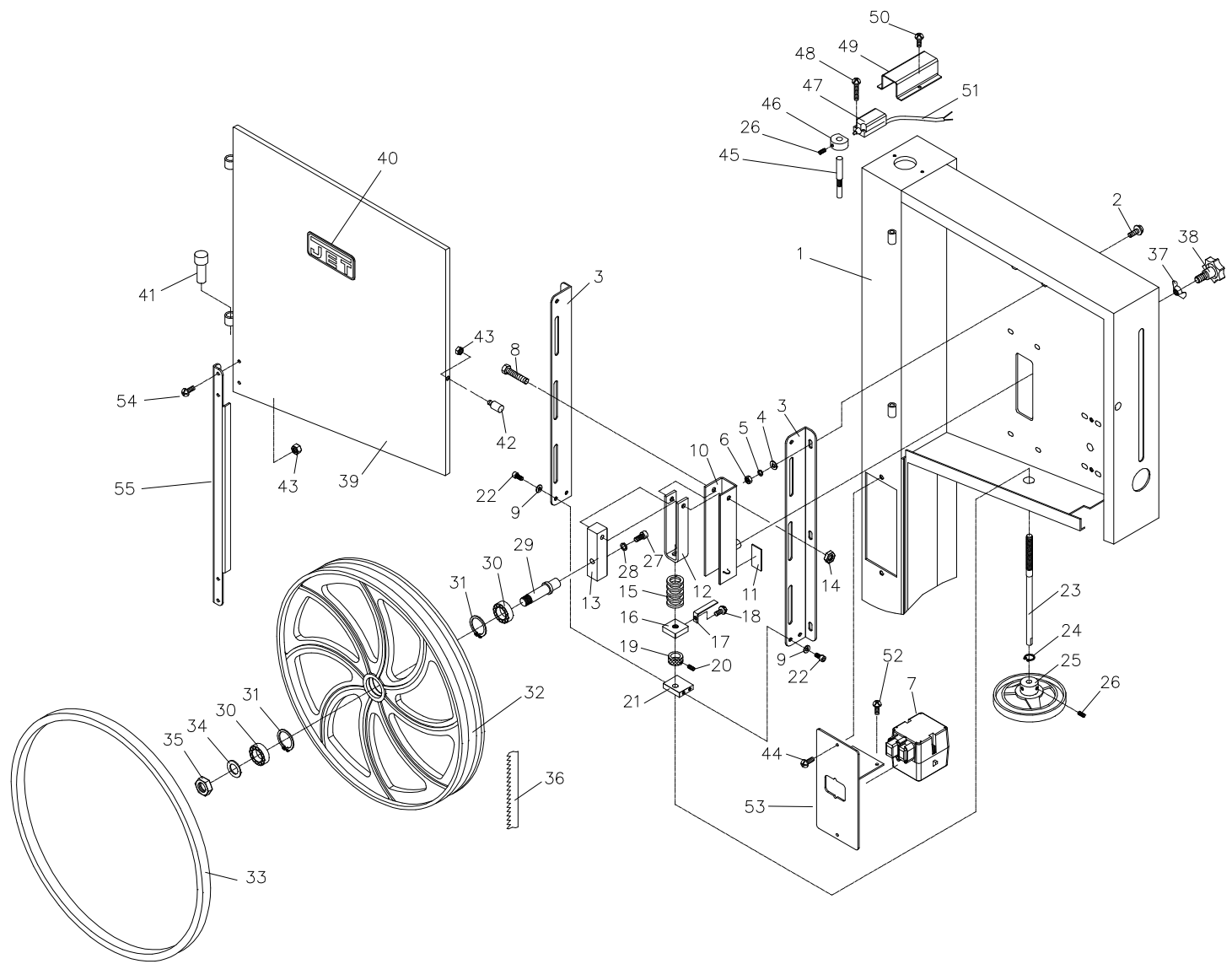
[www.wmhtoolgroup.com](http://www.wmhtoolgroup.com); [info@wmhtoolgroup.ch](mailto:info@wmhtoolgroup.ch)

Tel +41 (0) 1 806 47 48

Fax +41 (0) 1 806 47 58



P-10000150M / 10000150T 10/04



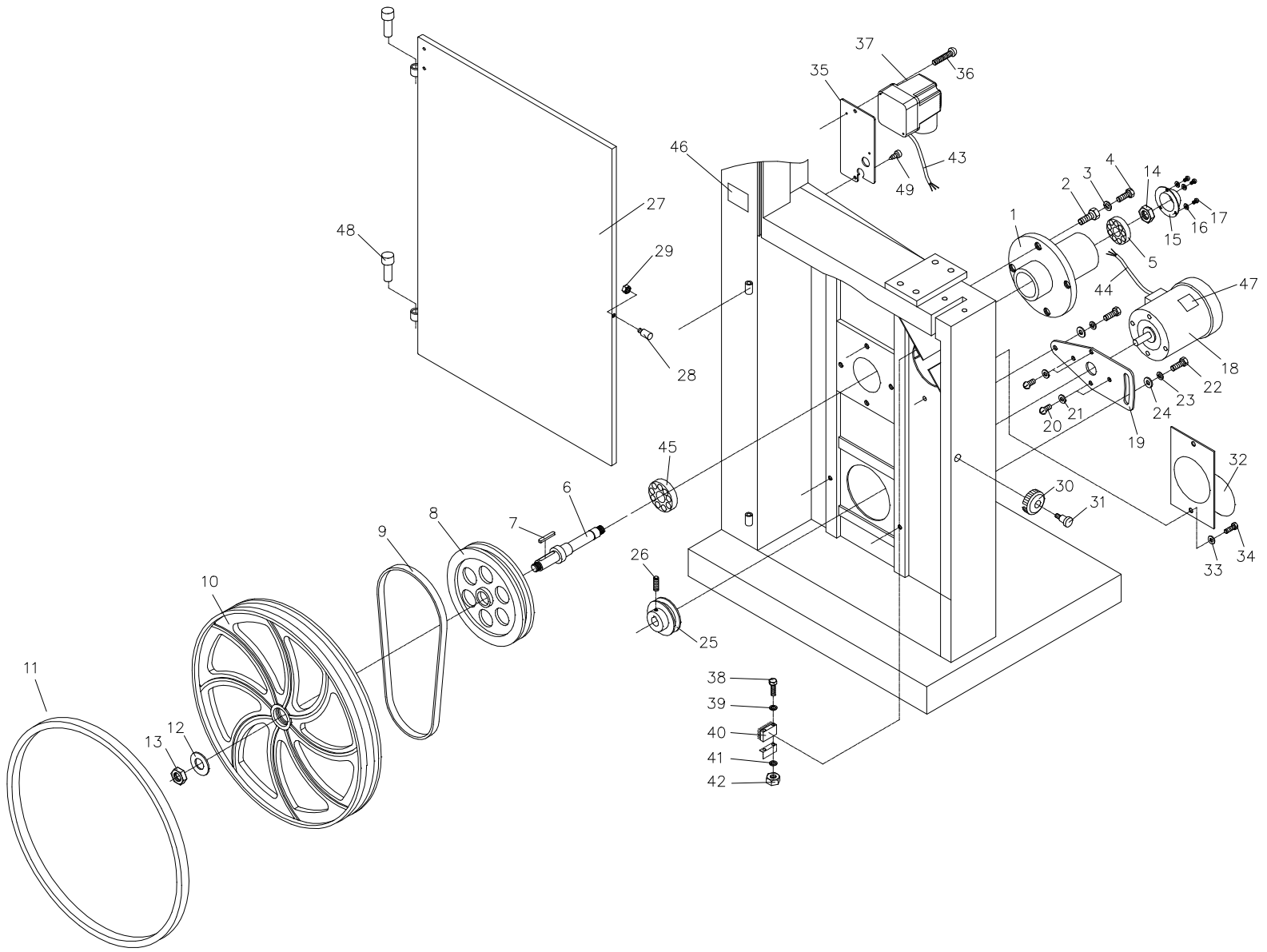
Upper Wheel Assembly

## Parts List for the JWBS-16 Bandsaw

### Upper Wheel Assembly

Index No.	Part No.	Description	Size	Qty.
1	JWBS16-101E	Saw Body		1
2	TS-0152011	Carriage Bolt	5/16-18 x 1"	6
3	JWBS18-103	Upper Wheel Bracket		2
4	TS-0680031	Flat Washer	5/16	6
5	TS-0720081	Lock Washer	5/16	6
6	TS-0561021	Hex Nut	5/16-18	6
7	JWBS18-107E	Complete Electrics 230/50/1	1Ph	1
	JWBS18-107AE	Complete Electrics 400/50/3	3Ph	1
	305231E	Switch Contactor ( not shown)	1PH, 230V	1
	305431AE	Switch Contactor (not shown)	3PH, 400V	1
8	JWBS18-108	Hex Cap Bolt	M8 x 65	1
9	TS-0680021	Flat Washer	1/4	4
10	JWBS18-110	Sliding Bracket		1
11	JWBS18-111E	Blade Tension Indicator		1
12	JWBS18-112	Adjustment Bracket		1
13	JWBS18-113	Shaft Bracket		1
14	TS-1540061	Hex Nut	M8	1
15	JWBS18-115	Spring		1
16	JWBS18-116	Square Nut		1
17	JWBS18-117	Pointer		1
18	JWBS18-118	Screw	M5 x 8	1
19	JWBS18-119	Set Block		1
20	TS-0267021	Set Screw	1/4-20 x 1/4	1
21	JWBS18-121	Bracket		1
22	TS-0050021	Hex Cap Bolt	1/4-20 x 5/8	4
23	JWBS16-123	Blade Adjusting Screw		1
24	JWBS18-124	E-Ring	E-9	1
25	JWBS18-125	Hand Wheel		1
26	TS-0267041	Socket Set Screw	1/4-20 x 3/8	3
27	TS-0209021	Socket Head Cap Screw	3/8-16 x 5/8	1
28	TS-0720091	Lock Washer	3/8	1
29	JWBS18-129	Upper Wheel Shaft		1
30	BB-6203ZZ	Ball Bearing	6203	2
31	JWBS18-131	Retaining Ring	R40	2
32	JWBS16-132	Upper Wheel		1
33	JWBS16-133	Tire		1
34	JWBS18-134	Flat Washer		1
35	JWBS18-135	Hex Nut	5/8-18UNF L.H.	1
36	JWBS16-136	Replacement Blade 3/4" x 0.032 x 3 Hook x 123"		1
37	TS-0590061	Wing Nut	5/16	1
38	JWBS18-138	Lock Knob	5/16	1
39	JWBS16-139E	Upper Front Door		1
40	JWBS18-140	JET Plaque		1
41	JWBS18-39A	Door Hinge Pin		1
42	JWBS18-142	Bolt		1
43	TS-0561011	Hex Nut	1/4-20	7
44	JWBS18-144	Screw	3/16 x 3/4	2
45	JWBS18-145E	Door Hinge Pin		1
46	JWBS18-146E	Set Block		1
47	JWBS18-147E	Limited Switch		1

48	JWBS18-148E	Screw	M4 x 30	2
49	JWBS18-149E	Switch Cover		1
50	1480031	Screw	M4 x 12	2
51	see Complete Electrics (7)			
52	JWBS18-152E	Tap Screw	5/32 x 3/4	4
53	JWBS18-153E	Switch Plate		1
54	JWBS18-154E	Screw	1/4 x 5/8	6
55	JWBS16-155E	Door Plate		1



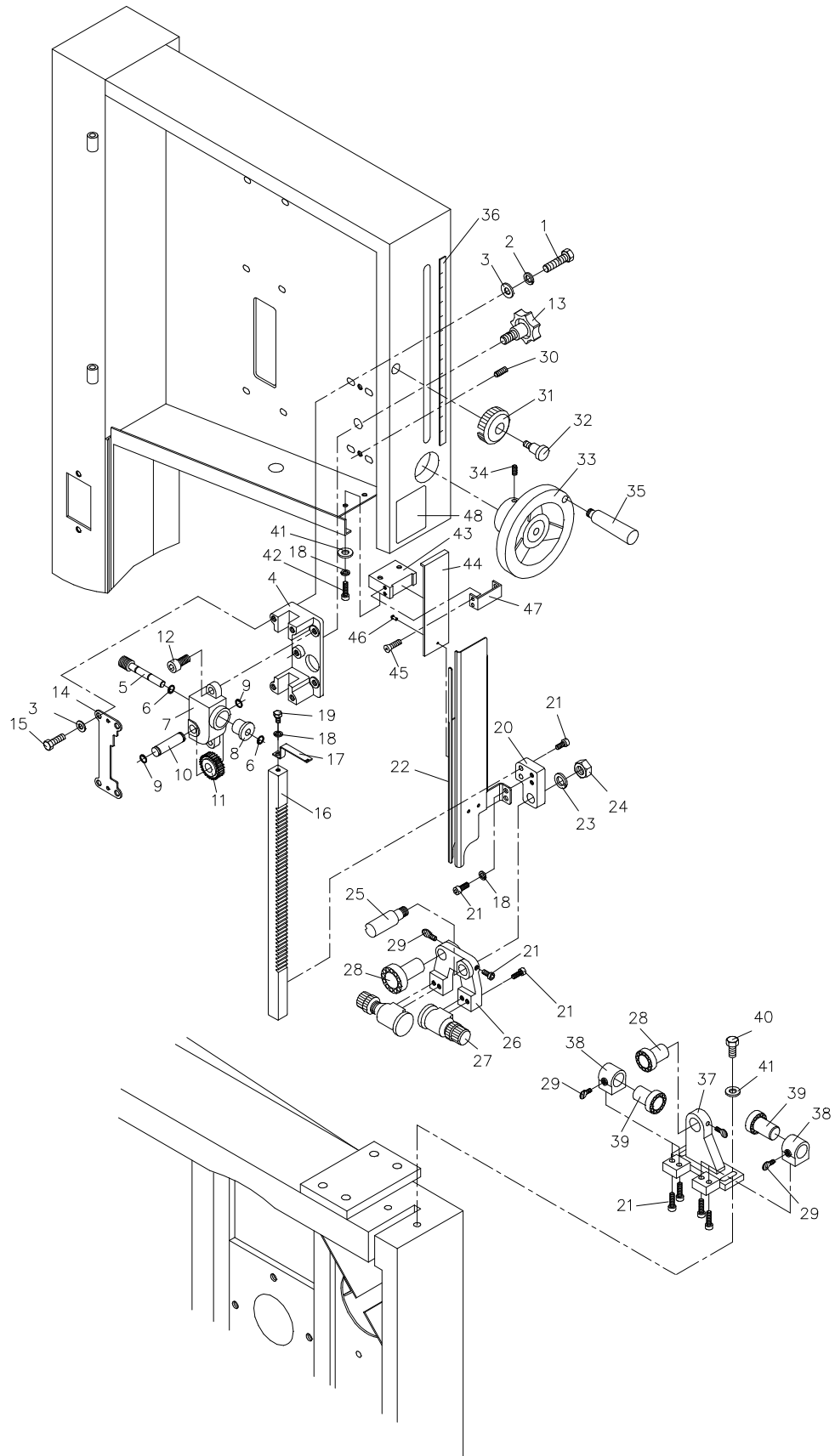
**Lower Wheel and Motor Assembly**

## Lower Wheel and Motor Assembly

Index No.	Part No.	Description	Size	Qty.
1	JWBS18-201N	Bearing Base		1
2	JWBS20-62	Adjusting Bolt		4
3	TS-0720091	Lock Washer	.3/8	4
4	TS-0060081	Hex Cap Bolt	.3/8 x 1-3/4	4
5	BB-6204ZZ	Ball Bearing	.6204	1
6	JWBS18-206N	Spindle		1
7	JWBS18-207	Key	.7 x 7 x 40	1
8	JWBS18-208	Spindle Pulley		1
9	VB-B41	V-Belt	B-41	1
10	JWBS16-210	Lower Wheel		1
11	JWBS16-133	Tire		1
12	TS-0680081	Flat Washer	.5/8	1
13	JWBS18-135	Hex Nut	.5/8-18UNF L.H.	1
14	JWBS18-214	Hex Nut	.5/8-18UNF R.H.	1
15	JWBS18-215	Bearing Cover		1
16	JWBS18-216	Lock Washer	.3/16	3
17	JWBS18-217	Screw	.3/16 x 3/8	3
18	JWBS16-218E	Motor	.1-1/2HP, 1Ph, 230V	1
	JWBS16-218AE	Motor	.2HP, 3Ph, 400V	1
	JWBS16-RCE	Running Capacitor (not shown)	.20uF, 450V	1
	JWBS18-CCE	Capacitor Cover (not shown)		1
	JWBS18-FAN	Fan (not shown)		1
	JWBS16-MFC	Motor Fan Cover (not shown)		1
19	JWBS18-219	Motor Bracket		1
20	TS-0081031	Hex Cap Bolt	.5/16 x 3/4	4
21	TS-0680031	Flat Washer	.5/16	4
22	TS-0060051	Hex Cap Bolt	.3/8-16 x 1	2
23	TS-0720091	Lock Washer	.3/8	2
24	TS-0680041	Flat Washer	.3/8	2
25	JWBS16-225E	Motor Pulley		1
26	TS-0267021	Socket Set Screw	.1/4-20 x 3/8	2
27	JWBS16-227E	Lower Front Door		1
28	JWBS18-142	Bolt		1
29	TS-0561011	Hex Nut	.1/4-20	1
30	JWBS20-2	Lock Knob		1
31	JWBS20-3	Screw	.1/4 x 3/4	1
32	JWBS18-232E	Dust Chute		1
33	TS-0680031	Flat Washer	.5/16	2
34	TS-0051051	Hex Cap Bolt	.5/16-18 x 1	2
35	JWBS18-235E	Plate, Control Box		1
36	JWBS18-236E	Screw	.3/16 x 2	2
37	JWBS18-107E	Complete Electrics 230/50/1	.1Ph, 230V	1
	JWBS18-107AE	Complete Electrics 400/50/3	.3Ph, 400V	1
	552156E	Break printed circuit board (not shown)	.1Ph, 230 V	1
	553854AE	Break printed circuit board (not shown)	.3Ph, 400 V	1
	553859E	Fuse (not shown)	.F16A, 5x20mm	1
38	JWBS18-238	Screw	.3/16 x 1-1/2	2
39	TS-0680011	Flat Washer	.3/16	2
40	JWBS18-240	Brush		1
41	JWBS18-241	Lock Washer	.3/16	2
42	JWBS18-242	Hex Nut	.3/16	2
43		see Complete Electrics (37)		
44		see Complete Electrics (37)		
45	BB-6205ZZ	Ball Bearing	.6205	1
46	JWBS16-246E	I.D. Label		1

47 .....JWBS16-247E .....Motor Label .....1  
48 .....JWBS18-39A .....Door Hinge Pin .....2  
49 .....JWBS18-249E .....Screw .....3/16 x 3/8.....2

# Blade guide Assembly

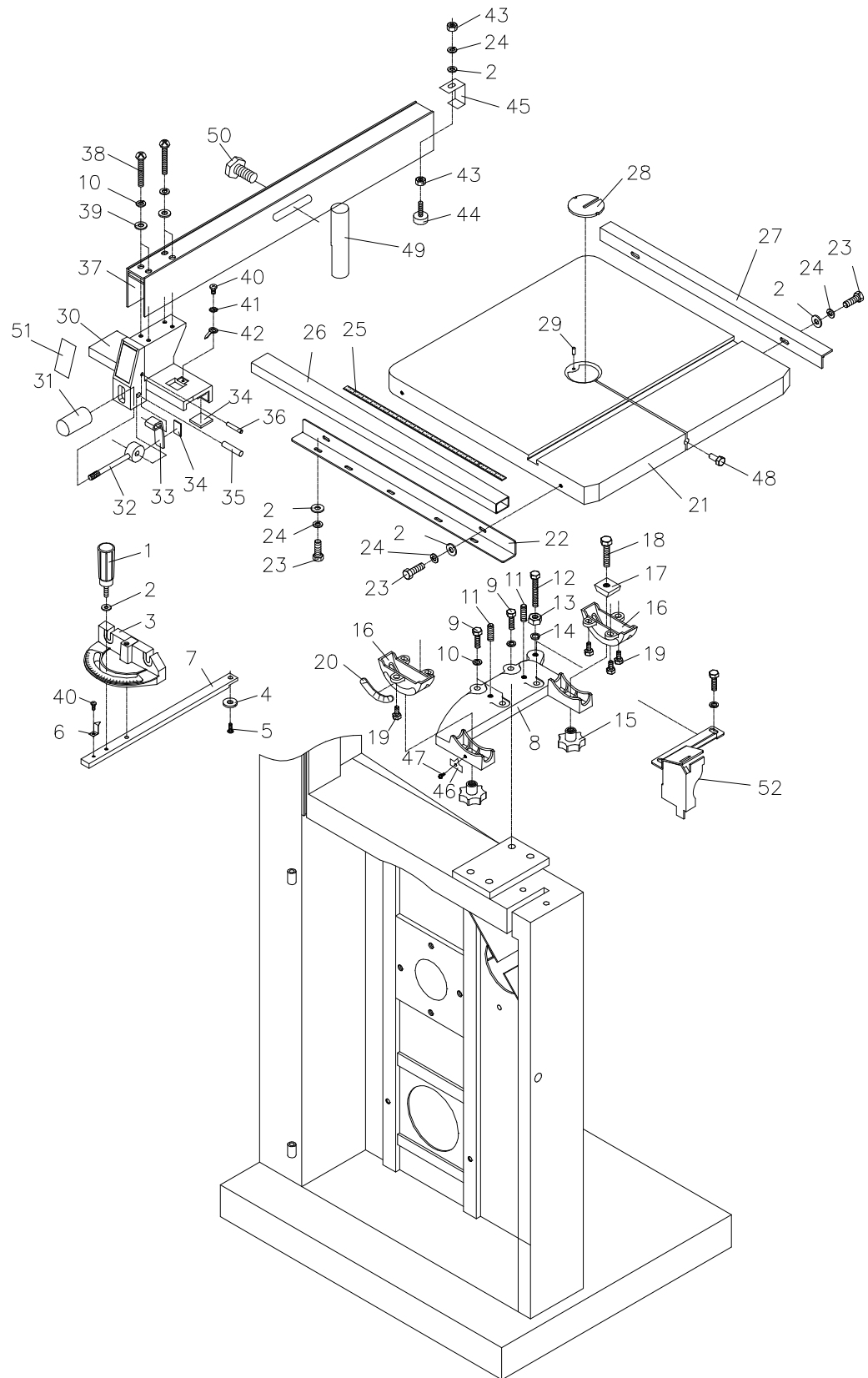




## Blade Guides Assembly

Index Part				
No.	No.	Description	Size	Qty.
1	TS-0051051	Hex Cap Bolt	.5/16 x 1	4
2	TS-0720081	Lock Washer	.5/16	4
3	TS-0680031	Flat Washer	.5/16	8
4	JWBS18-304	Guide Bar Bracket		1
5	JWBS18-305	Worm		1
6	JWBS18-306	E-Ring	E-8	2
7	JWBS18-307	Gear Base		1
8	JWBS18-308	Bushing		1
9	JWBS18-309	C-Ring	S-12	2
10	JWBS18-310	Shaft		1
11	JWBS18-311	Gear		1
12	TS-0208071	Socket Head Cap Screw	.5/16 x 1-1/4	2
13	JWBS18-313	Lock Knob	.5/16	1
14	JWBS18-314	Plate		1
15	TS-0051011	Hex Cap Bolt	.5/16 x 1/2	4
16	JWBS18-316	Guide Bar		1
17	JWBS18-317E	Pointer		1
18	TS-0720071	Lock Washer	1/4	5
19	TS-0050011	Hex Cap Bolt	1/4 x 1/2	1
20	JWBS18-320	Guide Bracket		1
21	TS-0207021	Socket Head Cap Screw	1/4 x 1/2	13
22	JWBS18-322E	Blade Guard		1
23	TS-0720111	Lock Washer	1/2	1
24	TS-0561051	Hex Nut	1/2-13	1
25	JWBS20-110	Locking Shaft		1
26	JWBS20-115	Upper Guide Bracket		1
27	JWBS20-114	Guide Wheel Assembly		2
28	JWBS20-113	Blade Support Shaft w/ Bearing		2
29	JWBS18-329	Thumb Screw	1/4 x 1/2	4
30	TS-0270031	Socket Set Screw	.5/16 x 3/8	2
31	JWBS20-2	Lock Knob		1
32	JWBS20-3	Screw	1/4 x 3/4	1
33	JWBS18-333	Hand Wheel		1
34	TS-0267041	Socket Set Screw	1/4 x 3/8	1
35	JWBS20-103A	Handle		1
36	JWBS18-336E	Cutting Height Scale		1
37	JWBS20-120	Lower Guide Bracket		1
38	JWBS18-338	Lower Guide Wheel Housing		2
39	JWBS18-339	Lower Guide Wheel Assembly		2
40	TS-0207031	Socket Head Cap Screw	1/4 x 5/8	2
41	TS-0680021	Flat Washer	1/4	4
42	TS-0050021	Hex Cap Bolt	1/4 x 5/8	2
43	JWBS18-343E	Upper Guard Bracket		1
44	JWBS18-344E	Upper Blade Guard		1
45	JWBS18-345E	Philips Screw	3/16 x 3/8	4
46	JWBS18-346E	Pin	3 x 12	1
47	JWBS18-347E	Bracket Cover		1
48	JWBS18-348E	Blade Direction Label		1

# Table and Fence Assembly



## Table and Fence Assembly

### Index Part

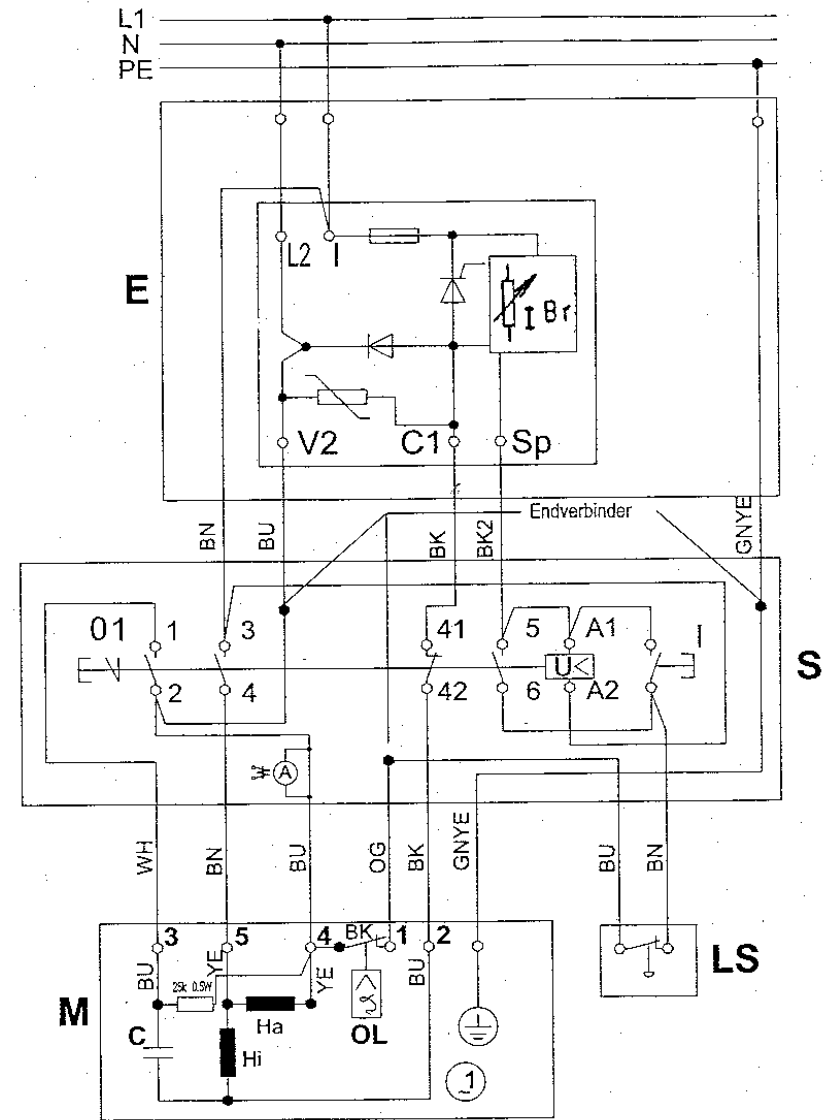
No.	No.	Description	Size	Qty.
1	JWBS18-401	Lock Knob		1
2	TS-0680021	Flat Washer	1/4	11
3	JWBS18-403	Miter Gauge Body		1
4	200156	Guide Disc		1
5	JWBS18-405	Pan Head Screw	M6 x 8	1
6	JWBS18-406	Pointer		1
7	JWBS18-407	Guide Bar		1
8	JWBS18-408N	Trunnion Support Bracket		1
9	TS-0051071	Hex Cap Bolt	5/16-18 x 1-1/2	4
10	TS-0720081	Lock Washer	5/16	8
11	TS-0270061	Set Screw	5/16-18 x 5/8	2
12	TS-0060111	Hex Cap Bolt	3/8-16 x 2-1/2	1
13	TS-0561031	Hex Nut	3/8-16	1
14	TS-0720091	Lock Washer	3/8	1
15	JWBS18-415	Lock Knob		2
16	JWBS18-416	Trunnion		2
17	JWBS18-417	Trunnion Clamp Shoe		2
18	TS-1491081	Hex Cap Bolt	M10 x 50	2
19	TS-1482021	Hex Cap Screw	M6 x 12	6
20	JWBS18-420	Scale		1
21	JWBS16-421	Table		1
22	JWBS18-422W	Front Rail		1
23	TS-0050021	Hex Cap Bolt	1/4-20 x 5/8	9
24	TS-0720071	Lock Washer	1/4	10
25	JWBS18-425E	Scale		1
26	JWBS18-426W	Guide Rail		1
27	JWBS18-427W	Rear Rail		1
28	JWBS20-144E	Table Insert		1
29	JWBS20-145	Roll Pin	3 x 10	1
30	JWBS18-430	Fence Body		1
31	JWBS18-431	Knob		1
32	JWBS18-432	Lock Handle		1
33	JWBS18-433W	Lock Plate		1
34	JWBS18-434	Pad		5
35	JWBS18-435	Pin		1
36	JWBS18-436	Pin		1
37	JWBS16-437E	Fence		1
38	TS-0051091	Screw	5/16 x 2	4
39	TS-0680031	Flat Washer	5/16	4
40	JWBS18-440	Screw	3/16 x 1/4	2
41	JWBS18-441	Star Washer	3/16	1
42	JWBS18-442	Pointer		1
43	TS-0561011	Hex Nut	1/4-20	2
44	JWBS18-444	Sliding Pad		1
45	JWBS18-445	Rear Hook		1
46	JWBS18-446	Pointer		1
47	JWBS18-447	Screw	M5 x 8	1
48	JWBS18-448	Table Pin		1
49	JWBS18-449E	Resaw Post		1
50	JWBS18-450	Knob		1
51	JWBS18-451	JET Fence Label		1
52	JWBS18-452E	Lower Blade Guard		1
	JWBS18-MGCP	Miter Gauge Assembly		
	JWBS16-FCPE	Fence Assembly Complete		
	JWBS18-APE	Accessory Package		

**JWBS-16**  
**10000150M**

**230/50/1**

	colour of strands	Litzenfarben	couleur des cordons
BK	black	schwarz	noir
WH	white	weiß	blanc
BU	blue	blau	bleu
YE	yellow	gelb	jaune
RD	red	rot	rouge
BN	brown	braun	brun
GY	grey	grau	gris
GNYE	green-yellow	grün-gelb	vert-jaune
OG	orange	orange	orange
VT	violet	violett	violet

	meaning of symbol	Bedeutung der Zeichen	interprétation
M	motor	Motor	moteur
S	switch	Schalter	interrupteur
C	condenser	Kondensator	condensateur
E	electronic unit	Elektronik Einheit	unité électronique
F	fuse	Sicherung	fusible
RS	reversing switch	Drehrichtungsschalter	commu. droite/gauche
CS	centrifugal switch	Fliehkraftschalter	déclencheur centrifuge
OL	overload cut-off	Überlastschuttschalter	déclencheur surcharge
LS	limit switch	Positionsendschalter	micro



**JWBS-16**  
**10000150T**

**400/50/3**

	colour of strands	Litzenfarben	couleur des cordons
BK	black	schwarz	noir
WH	white	weiß	blanc
BU	blue	blau	bleu
YE	yellow	gelb	jaune
RD	red	rot	rouge
BN	brown	braun	brun
GY	grey	grau	gris
GNYE	green-yellow	grün-gelb	vert-jaune
OG	orange	orange	orange
VT	violet	violett	violet

	meaning of symbol	Bedeutung der Zeichen	interprétation
M	motor	Motor	moteur
S	switch	Schalter	interrupteur
C	condenser	Kondensator	condensateur
E	electronic unit	Elektronik Einheit	unité électronique
F	fuse </td <td>Sicherung</td> <td>fusible</td>	Sicherung	fusible
RS	reversing switch	Drehrichtungsschalter	commu. droite/gauche
CS	centrifugal switch	Fliehkraftschalter	déclencheur centrifuge
OL	overload cut-off	Überlastschuttschalter	déclencheur surcharge
LS	limit switch	Positionsendschalter	micro

