

JET

JWBS-18DX WOODWORKING BANDSAW

708750DXM...230/50/1

708750DXT ...400/50/3

**PARTS LIST
ERSATZTEILLISTE
LISTE DE PIECES**

WMH Tool Group AG

Bahnstrasse 24, CH – 8603 Schwerzenbach

www.wmhtoolgroup.ch; info@wmhtoolgroup.ch

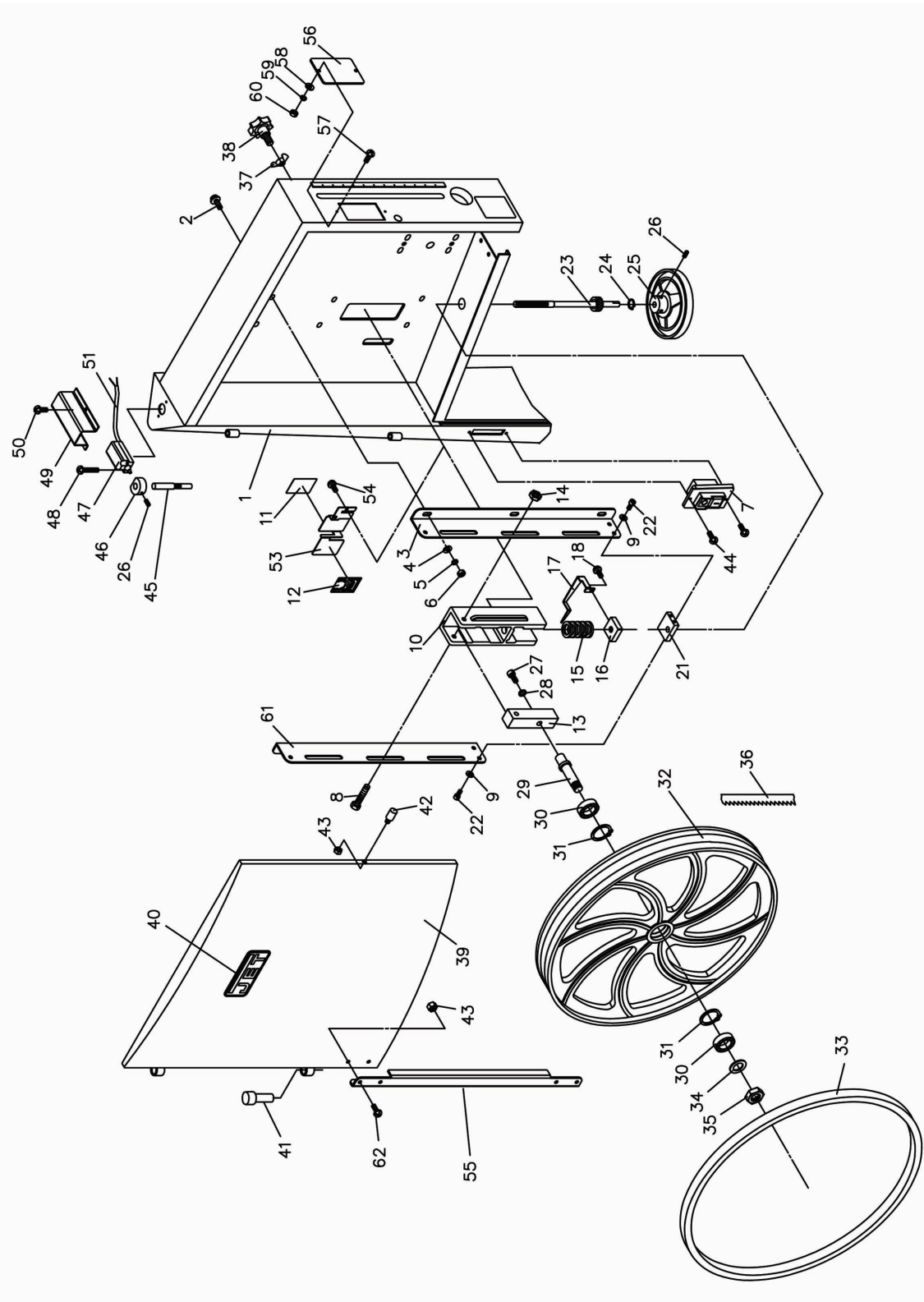
Tel +41 (0) 44 806 47 48

Fax +41 (0) 44 806 47 58



P-708750DXM / 708750DXT 08/06

Upper Wheel Assembly



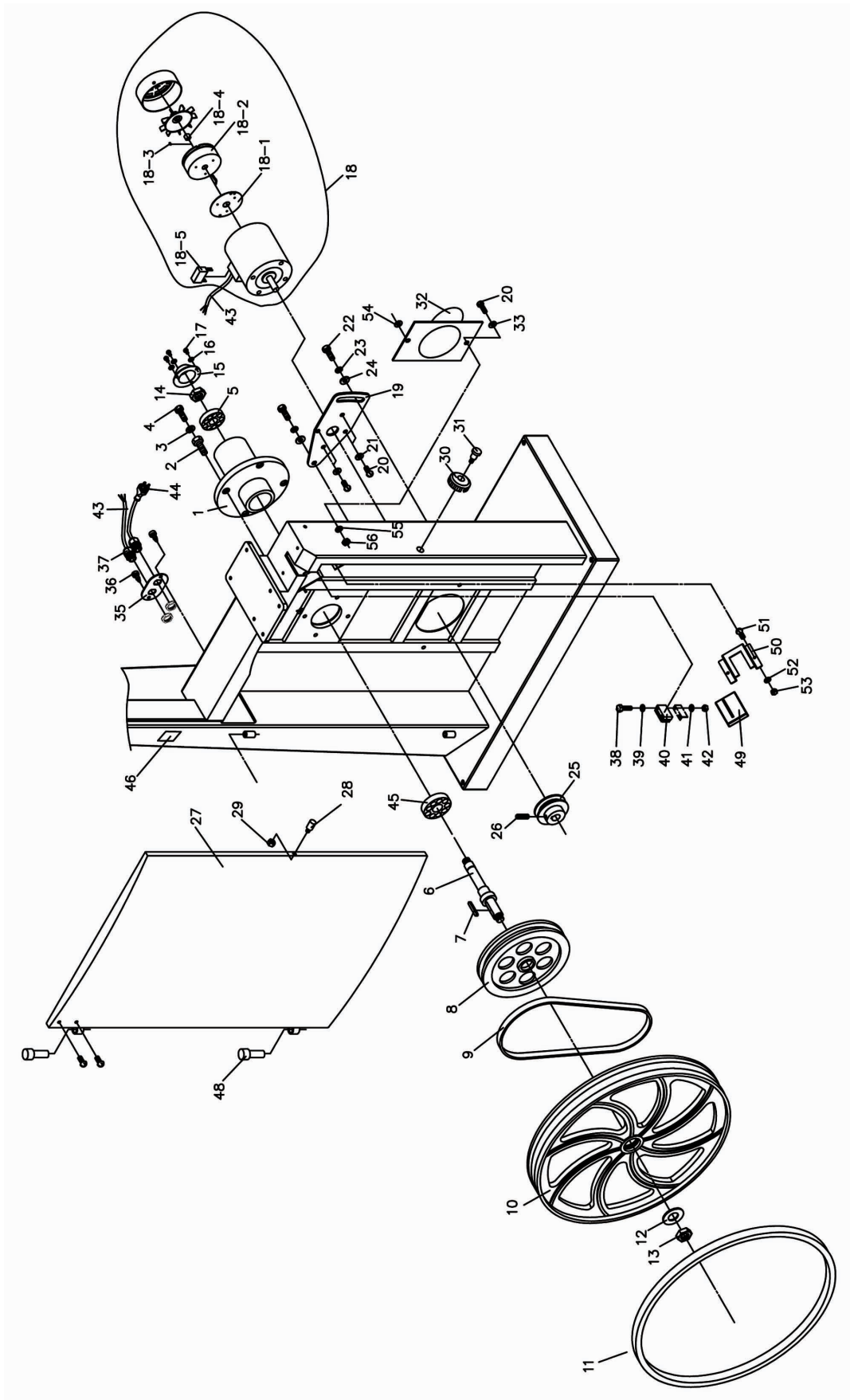
Parts List for the JWBS-18DX Bandsaw

Upper Wheel Assembly

Index No.	Part No.	Description	Size	Qty.
1	JWBS18DX-101E	Saw Body		1
2	TS-0152011	Carriage Bolt	5/16-18x1	6
3	JWBS18DX-103	Upper Wheel Bracket		1
4	TS-0680031	Flat Washer	5/16	6
5	TS-0720081	Lock Washer	5/16	6
6	TS-0561021	Hex Nut	5/16-18	6
7	JWBS18DX-107E	Switch	1Ph	1
	JWBS18DX-107AE	Switch	3Ph	1
8	TS-1490151	Hex Cap Bolt	M8x80	1
9	TS-0680021	Flat Washer	1/4	4
10	JWBS18DX-110	Sliding Bracket		1
11	JWBS18DX-111E	Blade Tension Indicator (Outside)		1
12	JWBS18DX-112E	Blade Tension Indicator (Inside)		1
13	JWBS18DX-113	Shaft Bracket		1
14	TS-1540061	Hex Nut	M8	1
15	JWBS18-115	Spring		1
16	JWBS18-116	Square Nut		1
17	JWBS18DX-117	Pointer		1
18	JWBS18-118	Screw	M5x8	1
21	JWBS18DX-121	Bracket		1
22	TS-0050021	Hex Cap Bolt	1/4-20x5/8	4
23	JWBS18DX-123	Blade Adjusting Screw		1
24	JWBS18-124	E-Ring	E-9	1
25	JWBS18-125	Hand Wheel		1
26	TS-0267041	Set Screw	1/4-20x3/8	3
27	TS-0209031	Socket Head Cap Screw	3/8-16x3/4	1
28	TS-0720091	Lock Washer	3/8	1
29	JWBS18-129	Upper Wheel Shaft		1
30	BB-6203ZZ	Ball Bearing	6203	2
31	JWBS18-131	Retaining Ring	R40	2
32	JWBS18-132	Upper Wheel		1
33	JWBS18DX-133	Tire		1
34	JWBS18-134	Flat Washer		1
35	JWBS18-135	Hex Nut	5/8-18UNF L.H.	1
36	710053	Replacement Blade 3/4" x 0.032 x 3 Hook x 137"		1
37	TS-0590061	Wing Nut	5/16	1
38	JWBS18-138	Lock Knob	5/16	1
39	JWBS18DX-139E	Upper Front Door		1
40	JWBS18-140	JET Plaque		1
41	JWBS18-39A	Door Hinge Pin		1
42	JWBS18-142	Bolt		1
43	TS-0561011	Hex Nut	1/4-20	5
44	TS-081C022	Screw	#10-24x3/8	2
45	JWBS18-145E	Door Hinge Pin		1
46	JWBS18-146E	Set Block		1

Index No.	Part No.	Description	Size	Qty.
47	JWBS18DX-147E	Limited Switch		1
48	JWBS18-148E	Screw	M4x30	2
49	JWBS18-149E	Switch Cover		1
50	TS-1480031	Screw	M4x12	2
51	JWBS18DX-151	Switch Cord (switch to limit switch)		1
53	JWBS18DX-153	Scale Bracket		1
54	JWBS18DX-154E	Screw	#10-24x3/8	2
55	JWBS18DX-155E	Door Plate		1
56	JWBS18DX-147	Tracking Window		1
57	TS-081C032	Screw	#10-24x1/2	2
58	TS-1550031	Flat Washer	M5	2
59	TS-2361051	Lock Washer	M5	2
60	TS-0560071	Hex Nut	#10-24	2
61	JWBS18DX-146	Upper Wheel Bracket (Left Side)		1
62	JWBS18-154E	Screw	1/4-20x5/8	4

Lower Wheel and Motor Assembly

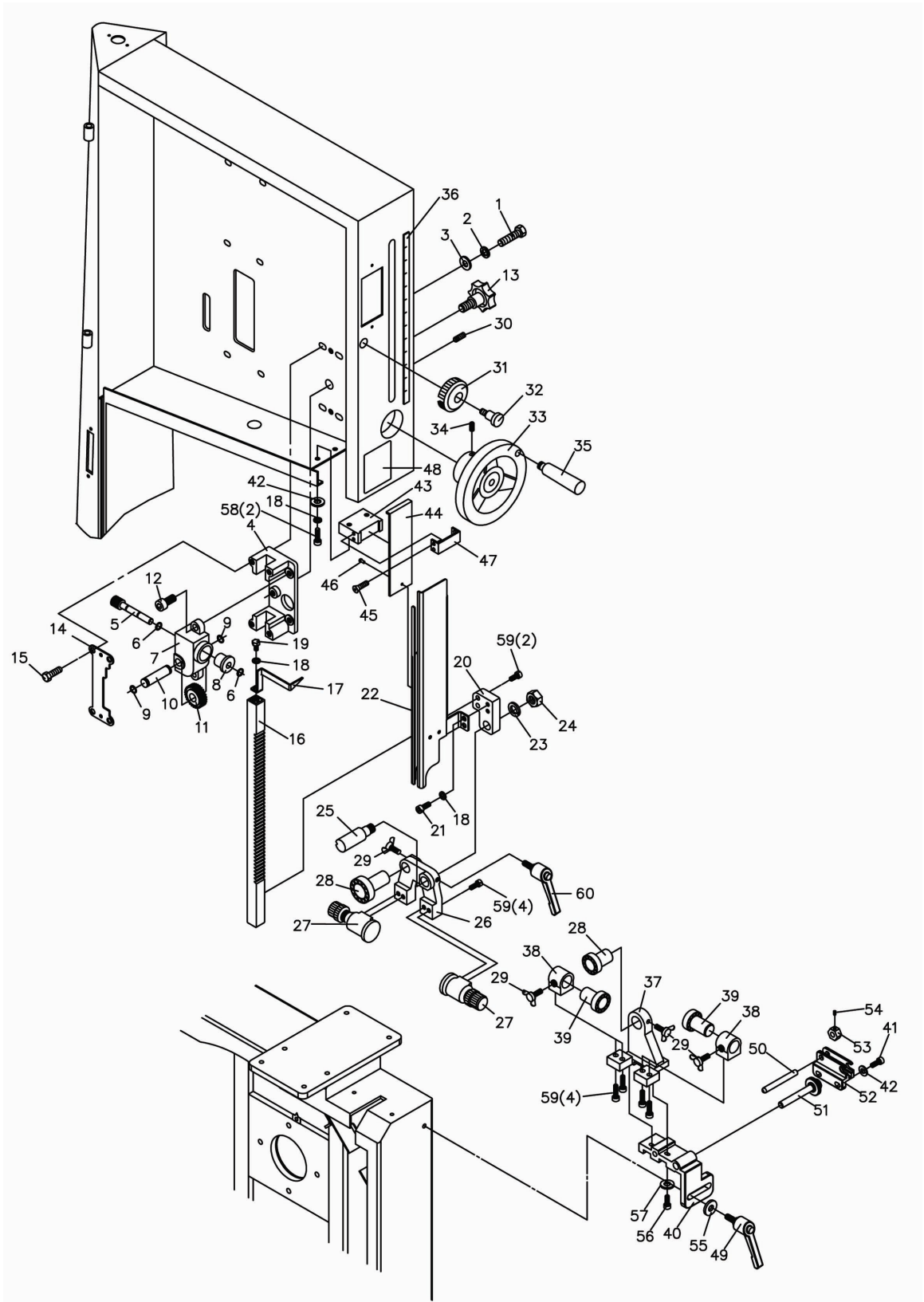


Lower Wheel and Motor Assembly

Index	Part			
No.	No.	Description	Size	Qty.
1.....	JWBS18-201N.....	Bearing Base.....		1
2.....	JWBS20-62.....	Adjusting Bolt.....		4
3.....	TS-0720091.....	Lock Washer.....	3/8.....	4
4.....	TS-0060081.....	Hex Cap Bolt.....	3/8 x 1-3/4.....	4
5.....	BB-6204ZZ.....	Ball Bearing.....	6204.....	1
6.....	JWBS18-206N.....	Spindle.....		1
7.....	JWBS18-207.....	Key.....	7 x 7 x 40.....	1
8.....	JWBS18-208N.....	Spindle Pulley.....		1
9.....	VB-B43.....	V-Belt.....	B-43.....	1
10.....	JWBS18-210.....	Lower Wheel.....		1
11.....	JWBS18DX-133.....	Tire.....		1
12.....	TS-0680081.....	Flat Washer.....	5/8.....	1
13.....	JWBS18-135.....	Hex Nut.....	5/8-18UNF L.H.....	1
14.....	JWBS18-214.....	Hex Nut.....	5/8-18UNF R.H.....	1
15.....	JWBS18-215.....	Bearing Cover.....		1
16.....	TS-0720051.....	Lock Washer.....	#10.....	3
17.....	TS-081C022.....	Screw.....	#10-24 x 3/8.....	3
18.....	JWBS18DX-218E.....	Motor complete.....	2HP, 1Ph, 230V.....	1
.....	JWBS18DX-218AE.....	Motor complete.....	3HP, 3Ph, 400V.....	1
.....	JWBS18-RCE.....	Running Capacitor.....	30uF, 450V.....	1
.....	JWBS18-CCE.....	Capacitor Cover.....		1
.....	JWBS18DX-FANE.....	Fan.....		1
.....	JWBS18DX-MFCE.....	Motor Fan Cover.....		1
18-1.....	JWBS18DX-PE.....	Plate.....		1
18-2.....	JWBS18DX-BME.....	Brake Magnet.....		1
18-3.....	JWBS18DX-KE.....	Key.....	4x4x14.....	1
18-4.....	JWBS-18DX-BE.....	Block.....		1
18-5.....	JWBS18DX-RE.....	Rectifier.....		1
19.....	JWBS18-219.....	Motor Bracket.....	1Ph.....	1
.....	JWBS18-219A.....	Motor Bracket.....	3Ph.....	1
20.....	TS-0081031.....	Hex Cap Bolt.....	5/16-18 x 3/4.....	4
21.....	TS-0680031.....	Flat Washer.....	5/16.....	4
22.....	TS-0060051.....	Hex Cap Bolt.....	3/8-16 x 1.....	2
23.....	TS-0720091.....	Lock Washer.....	3/8.....	2
24.....	TS-0680041.....	Flat Washer.....	3/8.....	2
25.....	JWBS18-225E.....	Motor Pulley.....		1
26.....	TS-0270031.....	Socket Set Screw.....	5/16-18 x 3/8.....	4
27.....	JWBS18DX-227E.....	Lower Front Door.....		1
28.....	JWBS18-142.....	Bolt.....		1
29.....	TS-0561011.....	Hex Nut.....	1/4-20.....	1
30.....	JWBS20-2.....	Lock Knob.....		1
31.....	JWBS20-3.....	Screw.....	1/4-20 x 3/4.....	1
32.....	JWBS18-232E.....	Dust Chute.....		1
33.....	TS-0680031.....	Flat Washer.....	5/16.....	1
35.....	JWBS18DX-235E.....	Plate.....		1
36.....	TS-081C032.....	Screw.....	#10-24x1/2.....	2
37.....	54A-S39.....	Strain Relief Bushing.....	PG11.....	2
38.....	TS-081C082.....	Screw.....	#10-24 x 1-1/2.....	2

Index Part				
No.	No.	Description	Size	Qty.
39.....	TS-0680011.....	Flat Washer.....	#10.....	2
40.....	JWBS18-240.....	Brush.....		1
41.....	JWBS18-241.....	Lock Washer.....	#10.....	2
42.....	TS-0560071.....	Hex Nut.....	#10-24.....	2
43.....	JWBS18DX-243E.....	Motor Cord (switch to motor).....	1PH.....	1
	JWBS18DX-243AE.....	Motor Cord (switch to motor).....	3PH.....	1
44.....	JWBS18DX-244E.....	Power Cord.....	1Ph.....	1
	JWBS18DX-244AE.....	Power Cord.....	3PH.....	1
45.....	BB-6205ZZ.....	Ball Bearing.....	6205.....	1
46.....	JWBS18DX-246E.....	I.D. Label.....	1Ph.....	1
	JWBS18DX-246AE.....	I.D. Label.....	3Ph.....	1
48.....	JWBS18-39A.....	Door Hinge Pin.....		2
49.....	JWBS18DX-249.....	Bracket.....		1
50.....	JWBS18DX-250.....	Shelf.....		1
51.....	TS-081C032.....	Screw.....	#10-24x1/2.....	2
52.....	TS-0680011.....	Flat Washer.....	#10.....	2
53.....	TS-0560071.....	Hex Nut.....	#10-24.....	2
54.....	JWBS18DX-254.....	Plastic Washer.....	5/16.....	1
55.....	TS-0720081.....	Lock Washer.....	5/16.....	1
56.....	TS-0561021.....	Hex Nut.....	5/16-18.....	1

Blade Guides Assembly



Blade Guides Assembly

Index	Part			
No.	No.	Description	Size	Qty.
1.....	TS-0051051.....	Hex Cap Bolt.....	5/16-18x1.....	4
2.....	TS-0720081.....	Lock Washer.....	5/16.....	4
3.....	TS-0680031.....	Flat Washer.....	5/16.....	4
4.....	JWBS18DX-304.....	Guide Bar Bracket.....		1
5.....	JWBS18-305.....	Worm.....		1
6.....	JWBS18-306.....	E-Ring.....	E-8.....	2
7.....	JWBS18-307.....	Gear Base.....		1
8.....	JWBS18-308.....	Bushing.....		1
9.....	JWBS18-309.....	C-Ring.....	S-12.....	2
10.....	JWBS18-310.....	Shaft.....		1
11.....	JWBS18-311.....	Gear.....		1
12.....	TS-0208071.....	Socket Head Cap Screw.....	5/16-18x1-1/4.....	2
13.....	JWBS18-313.....	Lock Knob.....	5/16.....	1
14.....	JWBS18DX-314.....	Plate.....		1
15.....	TS-0255021.....	Button Head Socket Screw.....	5/16 -18x1/2.....	4
16.....	JWBS18DX-316.....	Guide Bar.....		1
17.....	JWBS18DX-317E.....	Pointer.....		1
18.....	TS-0720071.....	Lock Washer.....	1/4.....	5
19.....	TS-0050011.....	Hex Cap Bolt.....	1/4x1/2.....	1
20.....	JWBS18-320.....	Guide Bracket.....		1
21.....	TS-0207021.....	Socket Head Cap Screw.....	1/4 -20x1/2.....	2
22.....	JWBS18DX-322E.....	Blade Guard.....		1
23.....	TS-0720111.....	Lock Washer.....	1/2.....	1
24.....	TS-0561051.....	Hex Nut.....	1/2-13.....	1
25.....	JWBS20-110.....	Locking Shaft.....		1
26.....	JWBS20-115.....	Upper Guide Bracket.....		1
27.....	JWBS20-114.....	Guide Wheel Assembly.....		2
28.....	JWBS20-113.....	Blade Support Shaft w/ Bearing.....		2
29.....	JWBS18-329.....	Wing Screw.....	M5 x 8.....	4
30.....	TS-0270031.....	Socket Set Screw.....	5/16-18x3/8.....	2
31.....	JWBS20-2.....	Lock Knob.....		1
32.....	TS-081F052.....	Screw.....	1/4-20x3/4.....	1
33.....	JWBS18-333.....	Hand Wheel.....		1
34.....	TS-0267041.....	Socket Set Screw.....	1/4-20x3/8.....	1
35.....	JWBS20-103A.....	Handle.....		1
36.....	JWBS20-336E.....	Cutting Height Scale.....		1
37.....	JWBS18DX-337E.....	Lower Guide Bracket.....		1
38.....	JWBS18-338.....	Lower Guide Wheel Housing.....		2
39.....	JWBS18-339.....	Lower Guide Wheel Assembly.....		2
40.....	JWBS18DX-338.....	Base.....		1
41.....	TS-0207041.....	Socket Head Cap Screw.....	1/4-20x3/4.....	2
42.....	TS-0680021.....	Flat Washer.....	1/4.....	4
43.....	JWBS18DX-343E.....	Upper Guard Bracket.....		1
44.....	JWBS18DX-344E.....	Upper Blade Guard.....		1
45.....	JWBS18-345E.....	Philips Screw.....	#10-24x 3/8.....	4
46.....	JWBS18-346E.....	Pin.....	3 x 12.....	1
47.....	JWBS18-347E.....	Bracket Cover.....		1

Index	Part			
No.	No.	Description	Size	Qty.
48.....	JWBS18-348E.....	Blade Direction Label.....		1
49.....	JWBS18DX-359.....	Locking Handle.....		1
50.....	JWBS18DX-360.....	Shaft.....		1
51.....	JWBS18DX-361.....	Adjusting Screw.....		1
52.....	JWBS18DX-362.....	Adjusting Bracket.....		1
53.....	JWBS18DX-363.....	Nut.....		1
54.....	TS-0267021.....	Set Screw.....	1/4-20x1/4.....	1
55.....	TS-0680031.....	Flat Washer.....	5/16.....	1
56.....	TS-0206031.....	Socket Head Cap Screw.....	#10-24x5/8.....	2
57.....	TS-0680011.....	Flat Washer.....	#10.....	2
58.....	TS-0050021.....	Hex Cap Screw.....	1/4-20x5/8.....	2
59.....	TS-0207031.....	Socket Head Cap Screw.....	1/4-20x5/8.....	10
60.....	6295293.....	Locking Handle.....		1

Table and Fence Assembly

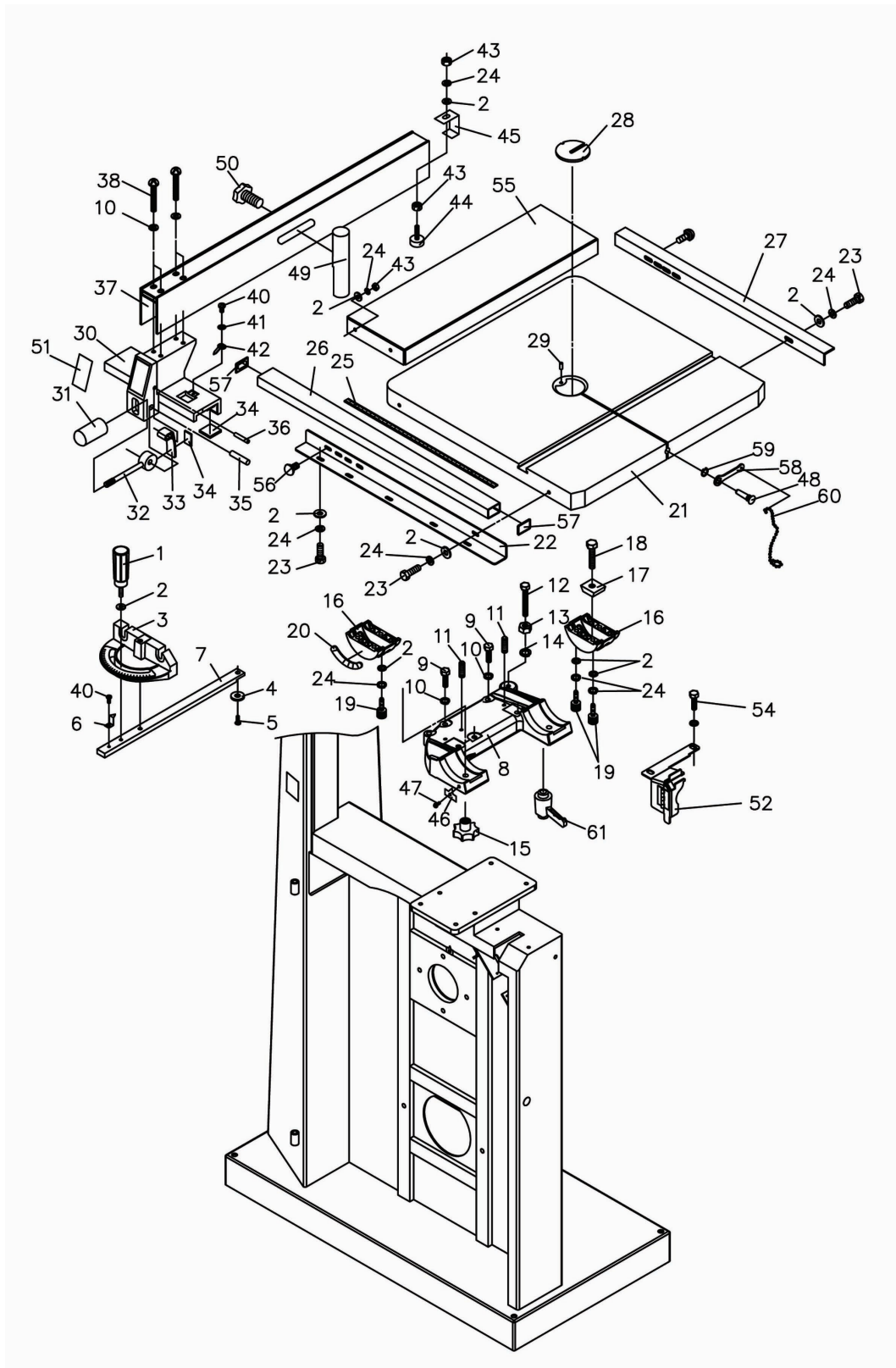


Table and Fence Assembly

Index	Part			
No.	No.	Description	Size	Qty.
1.....	JWBS18-401	Lock Knob		1
2.....	TS-0680021	Flat Washer	1/4	20
3.....	JWBS18-403	Miter Gauge Body		1
4.....	JWBS20-156	Guide Disc		1
5.....	JWBS18-405	Pan Head Screw	M6x8	1
6.....	JWBS18-406	Pointer		1
7.....	JWBS18-407	Guide Bar		1
8.....	JWBS18X-408	Trunnion Support Bracket		1
9.....	TS-0051071	Hex Cap Bolt	5/16-18x1-1/2	3
10.....	TS-0720081	Lock Washer	5/16	10
11.....	TS-0270061	Set Screw	5/16-18x5/8	2
12.....	TS-0060111	Hex Cap Bolt	3/8-16x2-1/2	1
13.....	TS-0561031	Hex Nut	3/8-16	1
14.....	TS-0720091	Lock Washer	3/8	1
15.....	JWBS18-415	Lock Knob		1
16.....	JWBS18X-416	Trunnion		2
17.....	JWBS18-417	Trunnion Clamp Shoe		2
18.....	TS-1491081	Hex Cap Bolt	M10x50	2
19.....	TS-1503041	Socket Head Cap Screw	M6x16	6
20.....	JWBS18-420	Scale		1
21.....	JWBS18-421	Table		1
22.....	JWBS18-422E	Front Rail		1
23.....	TS-0050021	Hex Cap Bolt	1/4-20 x 5/8	9
24.....	TS-0720071	Lock Washer	1/4	20
25.....	JWBS18-425E	Scale		1
26.....	JWBS18-426W	Guide Rail		1
27.....	JWBS18-427E	Rear Rail		1
28.....	JWBS20-144	Table Insert		1
	JWBS20-144E	Narrow Table Insert		1
29.....	JWBS20-145	Roll Pin	3 x 10	1
30.....	JWBS18-430	Fence Body		1
31.....	JWBS18-431	Knob		1
32.....	JWBS18-432	Lock Handle		1
33.....	JWBS18-433W	Lock Plate		1
34.....	JWBS18-434	Pad		5
35.....	JWBS18-435	Pin		1
36.....	JWBS18-436	Pin		1
37.....	JWBS18-437EA	Fence		1
38.....	TS-0208041	Socket Head Cap Screw	5/16-18x3/4	4
40.....	TS-0810012	Screw	#10-24x1/4	2
41.....	TS-0733031	Star Washer	#10	1
42.....	JWBS18-442	Pointer		1
43.....	TS-0561011	Hex Nut	1/4-20	6
44.....	JWBS18-444	Sliding Pad		1
45.....	JWBS18-445	Rear Hook		1
46.....	JWBS18-446	Pointer		1
47.....	JWBS18-447	Screw	M5x8	1
48.....	JWBS18DX-448	Table Pin		1
49.....	JWBS18-449E	Resaw Post		1
50.....	JWBS18-450	Knob		1

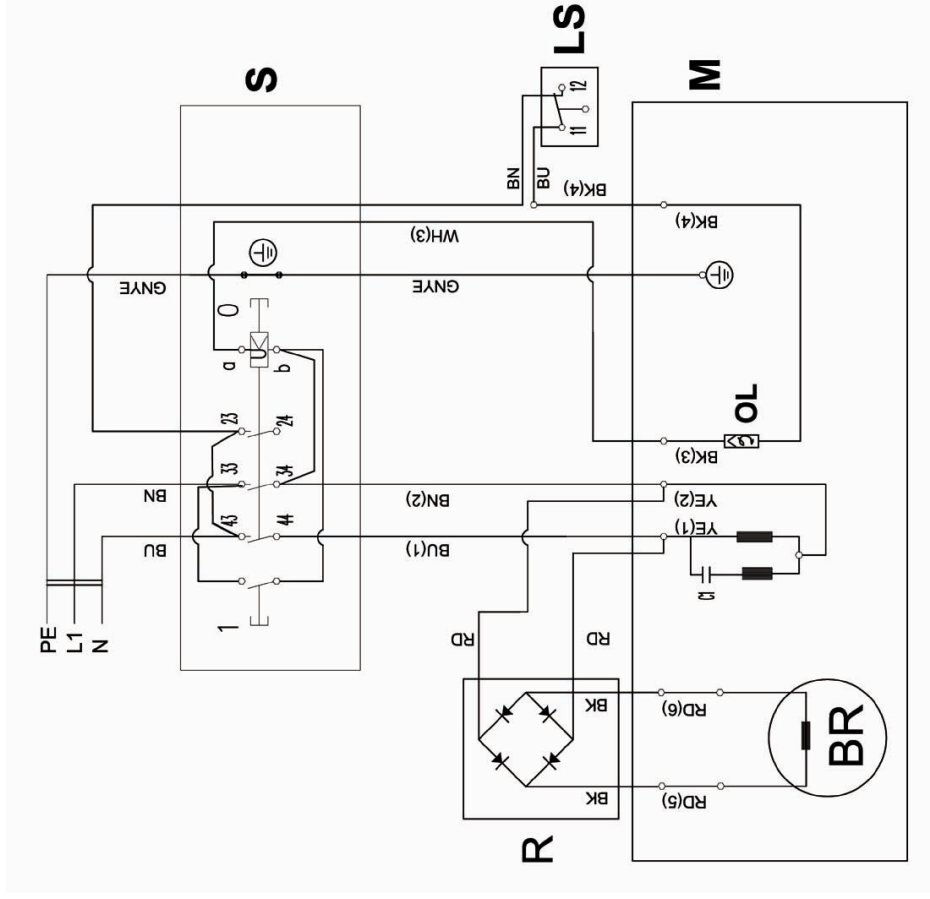
Index Part				
No.	No.	Description	Size	Qty.
51.....	JWBS18-451	JET Fence Label.....		1
52.....	JWBS18DX-452E	Lower Blade Guard		1
54.....	TS-0051091	Hex Cap Bolt	5/16-18x2	3
55.....	JWBS18DX-455E	Extension Table		1
56.....	TS-0151081	Carriage Bolt	1/4-20x5/8	4
57.....	2013-285	End Cover		2
58.....	40-0260	Wrench		1
59.....	JWBS18DX-459	C-Ring	S-10	2
60.....	JWBS18DX-460	Link Chain		1
61.....	JWBS18DX-458E	Lock Handle		1
62.....	JWBS18DX-462E	Sucker (not shown)		1
.....	JWBS18-MGCP	Miter Gauge Assembly.....		1
.....	JWBS18-FCPE	Fence Assembly Complete		1
.....	JWBS18DX-APE	Accessory Package		1

JWBS-18DX 708750DXM

230/50/1

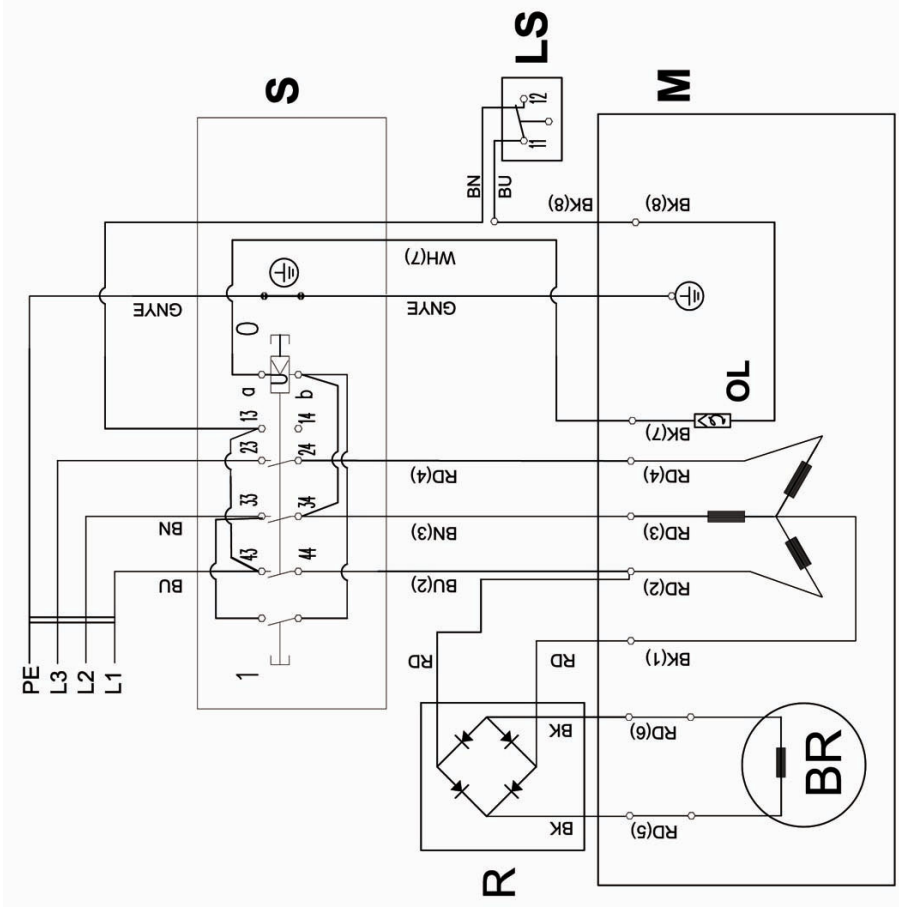
	colour of strands	Litzenfarben	couleur des cordons
BK	black	schwarz	noir
WH	white	weiß	blanc
BU	blue	blau	bleu
YE	yellow	gelb	jaune
RD	red	rot	rouge
BN	brown	braun	brun
GY	grey	grau	gris
GNYE	green-yellow	grün-gelb	vert-jaune
OG	orange	orange	orange
VT	violet	violett	violet

	meaning of symbol	Bedeutung der Zeichen	interprétation
M	motor	Motor	moteur
S	switch	Schalter	interrupteur
C	condenser	Kondensator	condensateur
R	rectifier	Gleichrichter	rectifier
BR	motor break	Motorbremse	frein de moteur
RS	reversing switch	Drehrichtungsschalter	commu. droite/gauche
CS	centrifugal switch	Fliehkraftschalter	déclencheur centrifuge
OL	overload cut-off	Überlastschuttschalter	déclencheur surcharge
LS	limit switch	Positionsschalter	micro



JWBS-18DX 708750DXT

400/50/3



	colour of strands	Litzenfarben	couleur des cordons
BK	black	schwarz	noir
WH	white	weiß	blanc
BU	blue	blau	bleu
YE	yellow	gelb	jaune
RD	red	rot	rouge
BN	brown	braun	brun
GY	grey	grau	gris
GNYE	green-yellow	grün-gelb	vert-jaune
OG	orange	orange	orange
VT	violet	violett	violet

	meaning of symbol	Bedeutung der Zeichen	interprétation
M	motor	Motor	moteur
S	switch	Schalter	interrupteur
C	condenser	Kondensator	condensateur
R	rectifier	Gleichrichter	rectifier
BR	motor break	Motorbremse	frein de moteur
RS	reversing switch	Drehrichtungsschalter	commu. droite/gauche
CS	centrifugal switch	Fliehkraftschalter	déclencheur centrifuge
OL	overload cut-off	Überlastschuttschalter	déclencheur surcharge
LS	limit switch	Positionsschalter	micro